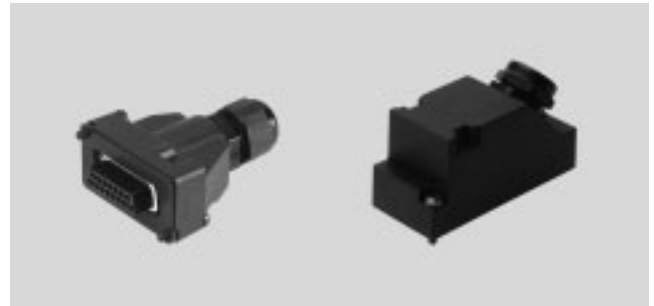


# Plug connectors for self-assembly, Sub-D socket

Technical data

**Plug connector**  
**SD-SUB-...-BU**

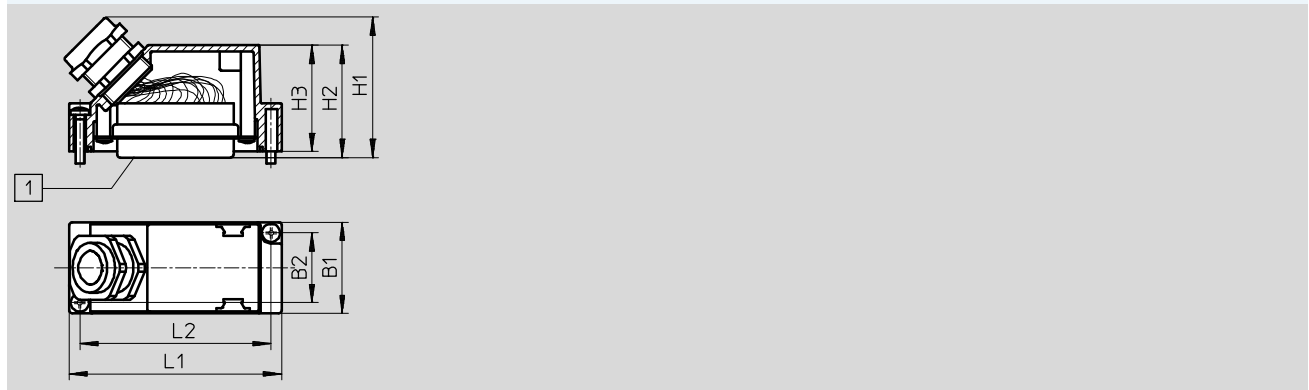
- Socket for multi-pin plug connection
- Can be assembled with any cable lengths
- 9-pin, 15-pin or 25-pin
- Sub-D



General technical data	
Type of mounting	Two M3x16 screws
Mounting position	Any
Nominal operating voltage [V DC]	24
Acceptable current load [A]	5
Protection class to EN 60529	IP65 (assembled)

Materials			
Type	SD-SUB-D-BU9	SD-SUB-D-BU25	SD-SUB-D-BU15
Housing	PA		
Pin contact	Nickel-plated and gold-plated copper base alloy		
Seals	NBR	NBR	CR

**Dimensions** Download CAD data → [www.festo.com](http://www.festo.com)



Type	1	B1	B2	H1	H2	H3	L1	L2
SD-SUB-D-BU9	Sub-D socket, 9-pin	30	23	43	37	35	50	43
SD-SUB-D-BU25	Sub-D socket, 25-pin	30	23	47	37	35	70	63

# Plug connectors for self-assembly, Sub-D socket

Technical data

Dimensions Download CAD data → [www.festo.com](http://www.festo.com)

SD-SUB-D-BU15

- 1 Sub-D socket, 15-pin
- 2 Cable connector PG9

Ordering data						
	Electrical connection	Cable connector	Perm. cable Ø [mm]	Product weight [g]	Part No.	Type
	Socket, 9-pin, Sub-D	Pg9	6 ... 9	38	<b>18708</b>	<b>SD-SUB-D-BU9</b>
	Socket, 25-pin, Sub-D	Pg11	7 ... 12	53	<b>18709</b>	<b>SD-SUB-D-BU25</b>
	Socket, 15-pin, Sub-D	Pg9	3 ... 8	33	<b>177675</b>	<b>SD-SUB-D-BU15</b>