

Cartridge fittings QSP, NPT



Cartridge fittings QSP, NPT

Technical data

General technical data	
Size	Mini
	Standard
Design	Push-pull principle
Mounting position	Any

Operating and environmental conditions	
Operating pressure for entire temperature range [bar]	-0.95 ... +10
Operating medium	Compressed air in accordance with ISO 8573-1:2010 [7:-:-]
Note on operating/pilot medium	Operation with lubricated medium possible
Ambient temperature [°C]	-5 ... +60
Corrosion resistance class CRC ¹⁾	1
Certification	Germanischer Lloyd

1) Corrosion resistance class CRC 1 to Festo standard FN 940070
Low corrosion stress. For dry indoor applications or transport and storage protection. Also applies to parts behind covers, in the non-visible interior area, and parts which are covered in the application (e.g. drive trunnions).

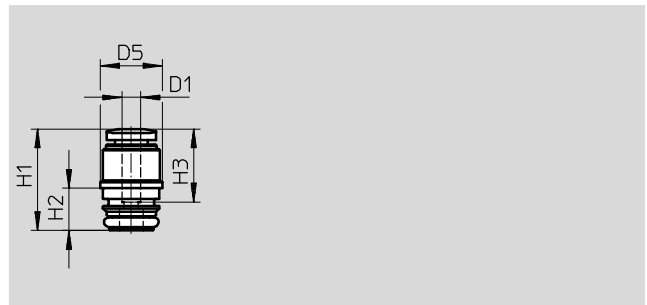
Materials	
Housing	Reinforced PA
Releasing ring	POM (colour: grey)
Tube retaining claw	High-alloy stainless steel
Tubing seal	NBR
Note on materials	RoHS-compliant

Cartridge fittings QSP, NPT

Technical data

FESTO

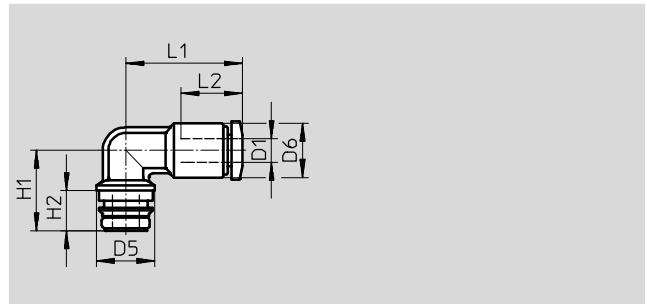
Cartridge fittings QSPKG10



Dimensions and ordering data										
Pneumatic connection		Nominal size [mm]	D5 Ø	H1	H2	H3	Weight/ piece [g]	Part No.	Type	PU ¹⁾
	For tubing O.D. D1									
QSP...10	1/8"	1.6	9.75	16.1	6.7	11.6	1.5	132852	QSPKG10-1/8-U	10
	5/32"	2.3	9.75	16.1	6.7	11.6	1.4	132624	QSPKG10-5/32-U	10
	3/16"	2.7	10.55	18.2	6.7	12	2.0	132625	QSPKG10-3/16-U	10
	1/4"	3.6	10.55	18.3	6.7	11.7	1.8	132626	QSPKG10-1/4-U	10

1) Packaging unit quantity.

Cartridge fittings QSPLKG10



Dimensions and ordering data												
Pneumatic connection		Nominal size [mm]	D5 Ø	D6 Ø	H1	H2	L1	L2	Weight/ piece [g]	Part No.	Type	PU ¹⁾
	For tubing O.D. D1											
QSP...10	1/8"	1.8	9.75	9.4	13.7	6.7	18.2	11.6	2.1	132854	QSPLKG10-1/8-U	10
	5/32"	2.3	9.75	9.4	13.7	6.7	18.2	11.6	2	132922	QSPLKG10-5/32-U	10
	3/16"	2.6	9.75	10.55	14.4	6.7	19.9	12.0	2.9	132923	QSPLKG10-3/16-U	10
	1/4"	3.3	9.75	10.55	14.4	6.7	20.0	11.7	2.6	132924	QSPLKG10-1/4-U	10

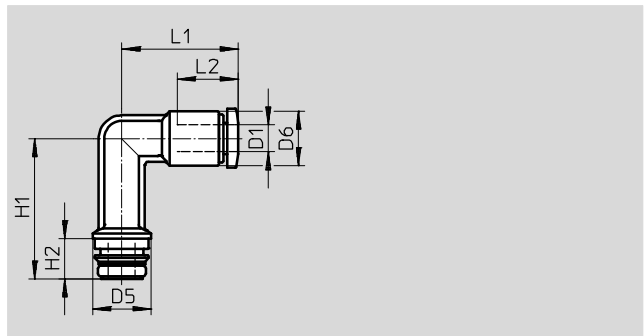
1) Packaging unit quantity.

Cartridge fittings QSP, NPT

Technical data

FESTO

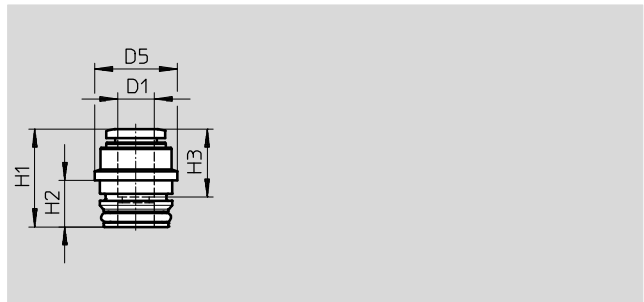
Cartridge fittings QSPLLKG10



Dimensions and ordering data												
Pneumatic connection		Nominal size [mm]	D5 Ø	D6 Ø	H1	H2	L1	L2	Weight/ piece [g]	Part No.	Type	PU ¹⁾
	For tubing O.D. D1											
QSP...10	1/8"	1.8	9.75	9.4	23.4	6.7	18.2	11.6	2.5	132862	QSPLLKG10-1/8-U	10
	5/32"	2.3	9.75	9.4	23.4	6.7	18.2	11.6	2.4	132927	QSPLLKG10-5/32-U	10
	3/16"	2.6	9.75	10.55	26.4	6.7	19.9	12.0	3.5	132928	QSPLLKG10-3/16-U	10
	1/4"	3.3	9.75	10.55	26.4	6.7	20.0	11.7	3.2	132929	QSPLLKG10-1/4-U	10

1) Packaging unit quantity.

Cartridge fittings QSPKG14



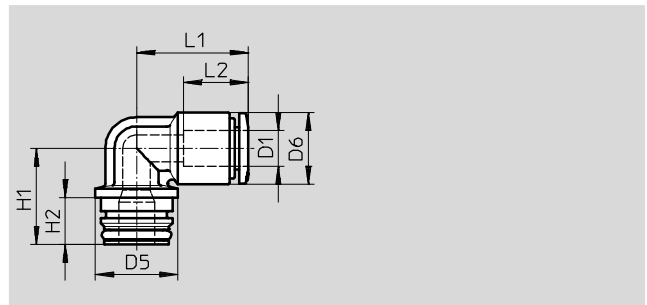
Dimensions and ordering data												
Pneumatic connection		Nominal size [mm]	D5 Ø	H1	H2	H3	Weight/ piece [g]	Part No.	Type	PU ¹⁾		
	For tubing O.D. D1											
QSP...14	1/4"	3.9	13.7	16.7	7.75	11.7	2.3	132932	QSPKG14-1/4-U	10		
	5/16"	5.2	14.6	25.2	7.75	18.1	5.3	132933	QSPKG14-5/16-U	10		

1) Packaging unit quantity.

Cartridge fittings QSP, NPT

Technical data

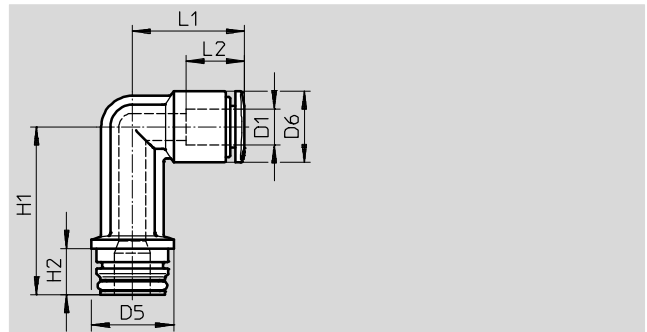
Cartridge fittings QSPLKG14



Dimensions and ordering data												
Pneumatic connection		Nominal size [mm]	D5 Ø	D6 Ø	H1	H2	L1	L2	Weight/ piece [g]	Part No.	Type	PU ¹⁾
	For tubing O.D. D1											
QSP...14	1/4"	3.5	13.7	11.9	16.0	7.75	19.0	11.7	3.4	132940	QSPLKG14-1/4-U	10
	5/16"	4.8	13.7	14.6	17.8	7.75	28.2	18.1	7.1	132941	QSPLKG14-5/16-U	10

1) Packaging unit quantity.

Cartridge fittings QSPLLKG14



Dimensions and ordering data												
Pneumatic connection		Nominal size [mm]	D5 Ø	D6 Ø	H1	H2	L1	L2	Weight/ piece [g]	Part No.	Type	PU ¹⁾
	For tubing O.D. D1											
QSP...14	1/4"	3.4	13.7	11.9	28.0	7.75	19.0	11.7	3.9	132944	QSPLLKG14-1/4-U	10
	5/16"	4.7	13.7	14.6	33.3	7.75	28.2	18.1	8.1	132945	QSPLLKG14-5/16-U	10

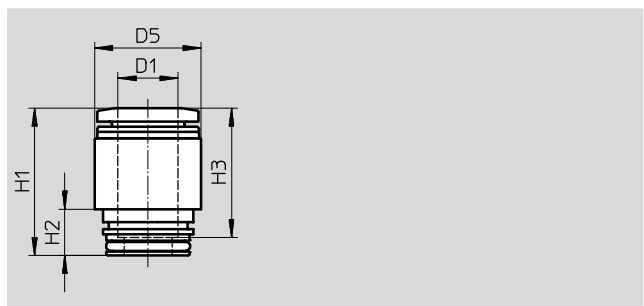
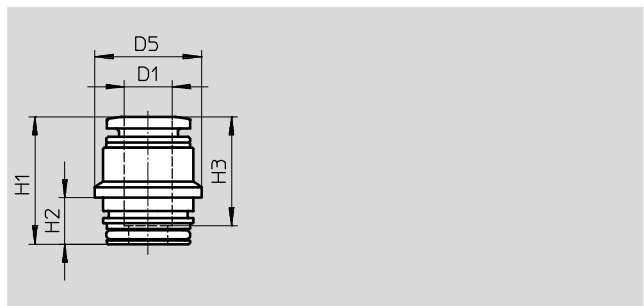
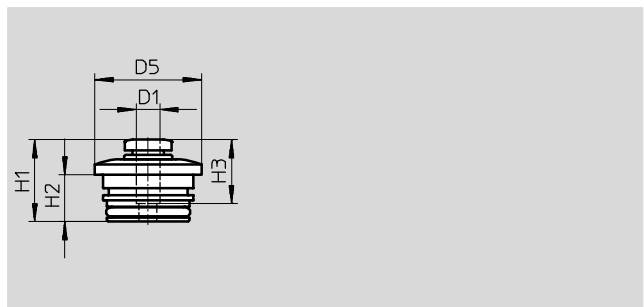
1) Packaging unit quantity.

Cartridge fittings QSP, NPT

Technical data

FESTO

Cartridge fittings QSPK18



Dimensions and ordering data										
Pneumatic connection		Nominal size [mm]	D5 Ø	H1	H2	H3	Weight/ piece [g]	Part No.	Type	PU ¹⁾
	For tubing O.D. D1									
QSP...18	5/32"	2.3	17.7	13.6	7.75	11.6	2.8	132171	QSPK18-5/32-U	10
	1/4"	3.8	17.7	13.9	7.75	11.7	2.9	132172	QSPK18-1/4-U	10
	5/16"	5.5	17.7	20.7	7.75	18.2	5.4	132173	QSPK18-5/16-U	10
	3/8"	6.7	17.7	24.5	7.75	20.2	8.2	132174	QSPK18-3/8-U	10

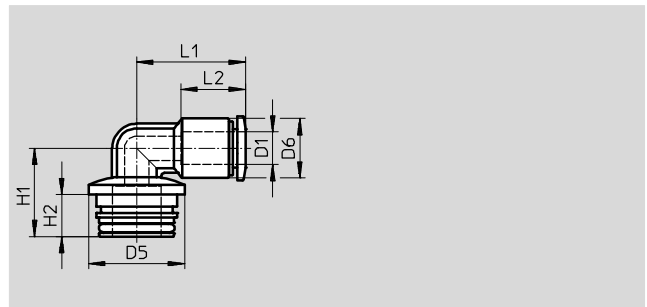
1) Packaging unit quantity.

Cartridge fittings QSP, NPT

Technical data



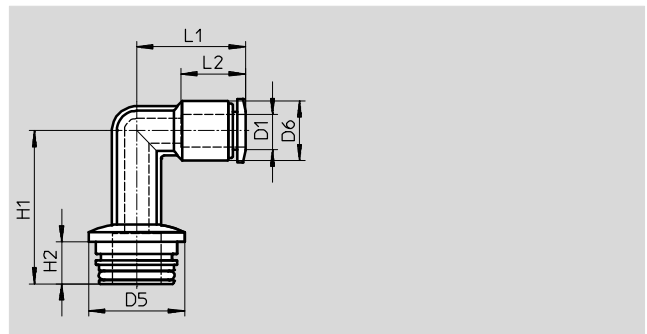
Cartridge fittings QSPLK18



Dimensions and ordering data												
Pneumatic connection		Nominal size [mm]	D5 Ø	D6 Ø	H1	H2	L1	L2	Weight/ piece [g]	Part No.	Type	PU ¹⁾
	For tubing O.D. D1											
QSP...18	5/32"	2.3	17.7	9.4	15.3	7.75	19.4	11.6	3.2	132175	QSPLK18-5/32-U	10
	1/4"	3.6	17.7	12	16.3	7.75	20.5	11.7	3.8	132176	QSPLK18-1/4-U	10
	5/16"	5.2	17.7	15	18.3	7.75	27.2	18.2	7.5	132177	QSPLK18-5/16-U	10
	3/8"	6.5	17.7	17.7	19.6	7.75	29.5	20.2	10.9	132641	QSPLK18-3/8-U	10

1) Packaging unit quantity.

Cartridge fittings QSPLK18



Dimensions and ordering data												
Pneumatic connection		Nominal size [mm]	D5 Ø	D6 Ø	H1	H2	L1	L2	Weight/ piece [g]	Part No.	Type	PU ¹⁾
	For tubing O.D. D1											
QSP...18	5/32"	2.3	17.7	9.4	25.3	7.75	19.4	11.6	3.5	132178	QSPLK18-5/32-U	10
	1/4"	3.6	17.7	12	28.3	7.75	20.5	11.7	4.2	132179	QSPLK18-1/4-U	10
	5/16"	5.2	17.7	15	34.3	7.75	27.2	18.2	8.1	132180	QSPLK18-5/16-U	10
	3/8"	6.2	17.7	17.7	38.3	7.75	29.5	20.2	12.2	132642	QSPLK18-3/8-U	10

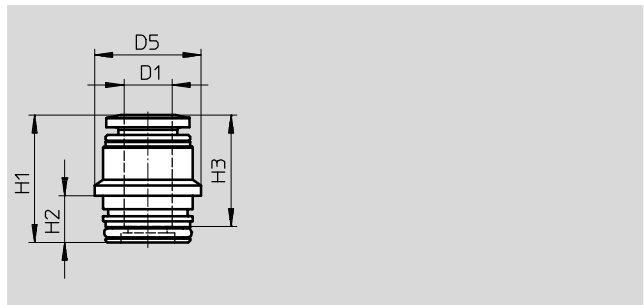
1) Packaging unit quantity.

Cartridge fittings QSP, NPT

Technical data

FESTO

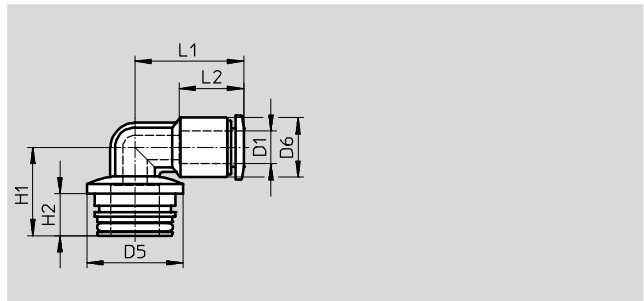
Cartridge fittings QSPKG18



Dimensions and ordering data										
Pneumatic connection		Nominal size [mm]	D5 Ø	H1	H2	H3	Weight/ piece [g]	Part No.	Type	PU ¹⁾
	For tubing O.D. D1									
QSP...18	5/16"	5.5	17.7	20.7	7.75	18.2	5.4	132651	QSPKG18-5/16-U	10
	3/8"	6.7	17.7	24.5	7.75	20.2	8.1	132652	QSPKG18-3/8-U	10

1) Packaging unit quantity.

Cartridge fittings QSPLKG18



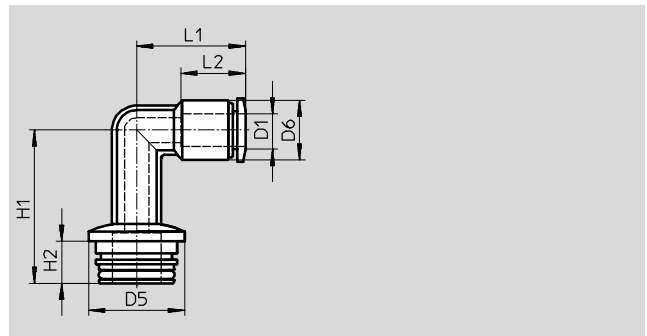
Dimensions and ordering data												
Pneumatic connection		Nominal size [mm]	D5 Ø	D6 Ø	H1	H2	L1	L2	Weight/ piece [g]	Part No.	Type	PU ¹⁾
	For tubing O.D. D1											
QSP...18	5/16"	5.2	17.7	15	18.3	7.5	27.2	18.2	7.5	132948	QSPLKG18-5/16-U	10
	3/8"	6.5	17.7	17.7	19.6	7.5	29.5	20.2	10.9	132949	QSPLKG18-3/8-U	10

1) Packaging unit quantity.

Cartridge fittings QSP, NPT

Technical data

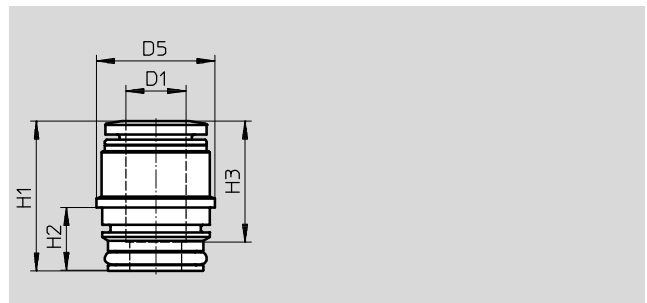
Cartridge fittings QSPLK18



Dimensions and ordering data												
Pneumatic connection		Nominal size [mm]	D5 Ø	D6 Ø	H1	H2	L1	L2	Weight/ piece [g]	Part No.	Type	PU ¹⁾
	For tubing O.D. D1											
QSP...18	5/16"	5.2	17.7	15	34.3	7.75	27.2	18.2	8.1	132952	QSPLK18-5/16-U	10
	3/8"	6.2	17.7	17.7	38.3	7.75	29.2	20.2	12.2	132953	QSPLK18-3/8-U	10

1) Packaging unit quantity.

Cartridge fittings QSPKG20



Dimensions and ordering data												
Pneumatic connection		Nominal size [mm]	D5 Ø	H1	H2	H3	Weight/ piece [g]	Part No.	Type	PU ¹⁾		
	For tubing O.D. D1											
QSP...20	5/16"	5.4	19.75	19.1	10.6	18.2	6	132636	QSPKG20-5/16-U	10		
	3/8"	6.4	19.75	25	10.6	20.2	9.2	132637	QSPKG20-3/8-U	10		
	1/2"	8.5	21.1	33	10.6	23.7	13	132638	QSPKG20-1/2-U	10		

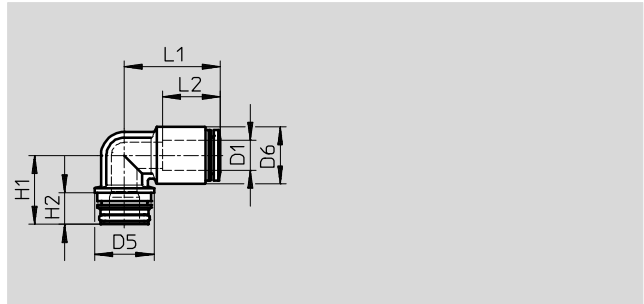
1) Packaging unit quantity.

Cartridge fittings QSP, NPT

Technical data

FESTO

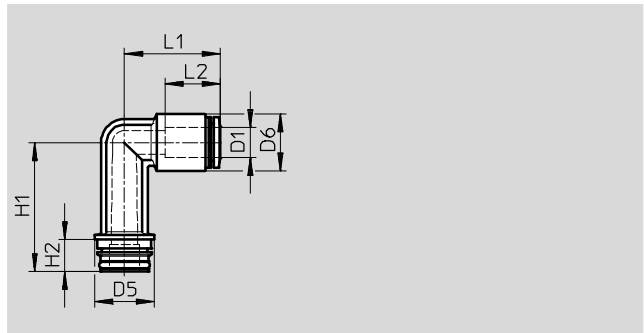
Cartridge fittings QSPLKG20



Dimensions and ordering data												
Pneumatic connection		Nominal size [mm]	D5 Ø	D6 Ø	H1	H2	L1	L2	Weight/ piece [g]	Part No.	Type	PU ¹⁾
	For tubing O.D. D1											
QSP...20	5/16"	4.8	19.75	16.0	21.5	10.6	29.7	18.1	10	132858	QSPLKG20-5/16-U	10
	3/8"	5.7	19.75	19.0	23.0	10.6	32.0	20.2	14	132859	QSPLKG20-3/8-U	10
	1/2"	7.8	19.75	21.1	24.0	10.6	36.5	23.7	17	132860	QSPLKG20-1/2-U	10

1) Packaging unit quantity.

Cartridge fittings QSPLLKG20



Dimensions and ordering data												
Pneumatic connection		Nominal size [mm]	D5 Ø	D6 Ø	H1	H2	L1	L2	Weight/ piece [g]	Part No.	Type	PU ¹⁾
	For tubing O.D. D1											
QSP...20	5/16"	4.8	19.75	16.0	38.5	10.6	29.7	18.1	11	132866	QSPLLKG20-5/16-U	10
	3/8"	5.7	19.75	19.0	43.0	10.6	32.0	20.2	15	132867	QSPLLKG20-3/8-U	10
	1/2"	7.3	19.75	21.1	45.9	10.6	36.5	23.7	19	132868	QSPLLKG20-1/2-U	10

1) Packaging unit quantity.