

Threaded fittings NPFC

FESTO




Threaded fittings NPFC

Technical data

Operating and environmental conditions	
Operating pressure [bar]	-0.95 ... 50
Operating medium	Compressed air to ISO 8573-1:2010 [-:-:-]
	Gases on request
	Liquids on request
Ambient temperature [°C]	-20 ... +150
Corrosion resistance class CRC ¹⁾	1

1) Corrosion resistance class CRC 1 to Festo standard FN 940070
Low corrosion stress. For dry indoor applications or transport and storage protection. Also applies to parts behind covers, in the non-visible interior area, and parts which are covered in the application (e.g. drive trunnions).



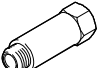



Materials	
Threaded fitting	Nickel-plated brass
Note on materials	RoHS-compliant

 - Note

When using R threaded studs, we recommend sealing using thread sealing tape GWB-0,1 (part no. 9076).	When using M and G threaded studs, an additional axial sealing ring is required (preferably soft aluminium Al 99.5).
--	--

Threaded fittings NPFC


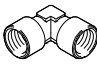
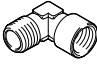
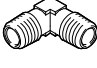
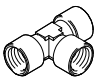
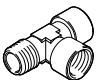
Product range overview

Design	Design	Type	Connection D1			Connection D2			→ Page/ Internet
			M thread	G thread	R thread	M thread	G thread	R thread	
Straight design	Sleeve								
		NPFC-S	M5	–	–	–	–	–	6
			–	G1/8					
				G1/4					
				G3/8					
				G1/2					
				G3/4					
	Reducing sleeve								
		NPFC-R	M5	–	–	–	G1/8	–	6
			–	G1/8			G1/4, G3/8, G1/2		
				G1/4			G3/8, G1/2		
				G3/8			G1/2		
				G1/2			G3/4, G1		
				G3/4			G1		
	Extension								
	NPFC-E...	M5	–	–	M5	–	–	7	
		–	G1/8		–	G1/8			
			G1/4			G1/4			
			G3/8			G3/8			
			G1/2			G1/2			
Double nipple									
	NPFC-D	M3	–	–	M3	–	–	8	
		M5			M5	G1/8			
		M7			–	G1/8			
		–	G1/8			G1/8, G1/4, G3/8			
			G1/4			G1/4, G3/8, G1/2			
			G3/8			G3/8, G1/2			
			G1/2			G1/2, G3/4			
			G3/4			G3/4			
			–	R1/8		–	R1/8, R1/4, R3/8		
				R1/4			R1/4, R3/8, R1/2		
				R3/8			R3/8, R1/2		
				R1/2			R1/2, R3/4		
				R3/4			R3/4		
		R1			R1				
Reducing nipple – internal thread/external thread									
	NPFC-R	M5	–	–	–	G1/8	–	9	
		–	G1/8			G1/4, G3/8			
			G1/4			G3/8			
			G3/8			G1/2			
Reducing nipples – external thread/internal thread									
	NPFC-R	M5	–	–	M3	–	–	10	
		M7			M5				
		–	G1/8			M5	G1/8		
			G1/4			–	G1/8, G1/4		
			G3/8				G1/4, G3/8		
			G1/2				G1/4, G3/8, G1/2		
			G3/4				G1/2, G3/4		
	G1								

Threaded fittings NPFC

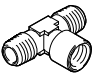
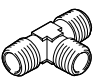
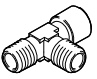
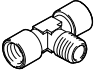
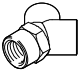
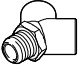
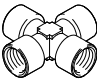
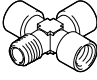
Product range overview

FESTO

Design	Version	Type	Connection D1			Connection D2			→ Page/ Internet
			M thread	G thread	R thread	M thread	G thread	R thread	
Straight design	Bulkhead fitting								
		NPFC-H	M5	–	–	–	–	–	11
			–	G1/8					
				G1/4					
				G3/8					
			G1/2						
L-shape	Elbow fitting – internal thread								
		NPFC-L	M5	–	–	–	–	–	12
			–	G1/8					
				G1/4					
				G3/8					
				G1/2					
				G3/4					
				G1					
	Elbow fitting – external thread/internal thread								
		NPFC-L	M5	–	–	M5	–	–	12
			–	G1/8		–		R1/8	
				G1/4				R1/4	
				G3/8				R3/8	
				G1/2				R1/2	
				G3/4				R3/4	
			G1				R1		
Elbow fitting – external thread									
	NPFC-L	M5	–	–	–	–	–	13	
		–					R1/8		
							R1/4		
							R3/8		
							R1/2		
							R3/4		
T-shape	T-fitting – internal thread								
		NPFC-T	–	G1/8	–	–	–	–	13
				G1/4					
				G3/8					
				G1/2					
				G3/4					
				G1					
	T-fitting – internal thread/external thread/internal thread								
		NPFC-T	M5	–	–	M5	–	–	14
			–	G1/8		–		R1/8	
			G1/4				R1/4		
			G3/8				R3/8		
			G1/2				R1/2		
			G3/4				R3/4		
	G1				R1				

Threaded fittings NPFC

Product range overview

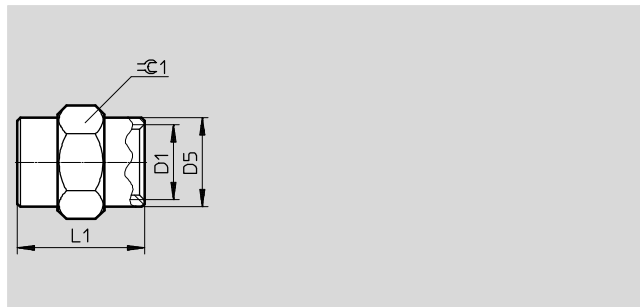
Design	Version	Type	Connection D1			Connection D2			→ Page/ Internet	
			M thread	G thread	R thread	M thread	G thread	R thread		
T-shape	T-fitting – internal thread/external thread/external thread									
		NPFC-T	–	G 1/8 G 1/4 G 3/8 G 1/2	–	–	–	R 1/8 R 1/4 R 3/8 R 1/2	14	
	T-fitting – external thread									
		NPFC-T	–	–	R 1/4 R 3/8 R 1/2	–	–	–	15	
	T-fitting – external thread/external thread/internal thread									
		NPFC-T	–	–	R 1/8 R 1/4 R 1/2	–	G 1/8 G 1/4 G 1/2	–	15	
	T-fitting – external thread/internal thread/internal thread									
		NPFC-T	M5 –	–	– R 1/8 R 1/4 R 3/8 R 1/2	M5 –	– G 1/8 G 1/4 G 3/8 G 1/2	–	16	
	Y-shape	Y-fitting – internal thread								
			NPFC-Y	–	G 1/4 G 3/8 G 1/2	–	–	–	–	17
		Y-fitting – external thread/internal thread/internal thread								
			NPFC-Y	–	–	R 1/8 R 1/4 R 3/8 R 1/2	–	G 1/8 G 1/4 G 3/8 G 1/2	–	17
X-shape	X-fitting – internal thread									
		NPFC-X	–	G 1/4 G 3/8 G 1/2	–	–	–	–	18	
	X-fitting – external thread/internal thread/internal thread/internal thread									
		NPFC-X	–	G 1/4 G 1/2	–	–	–	R 1/4 R 1/2	18	

Threaded fittings NPFC

Technical data

FESTO

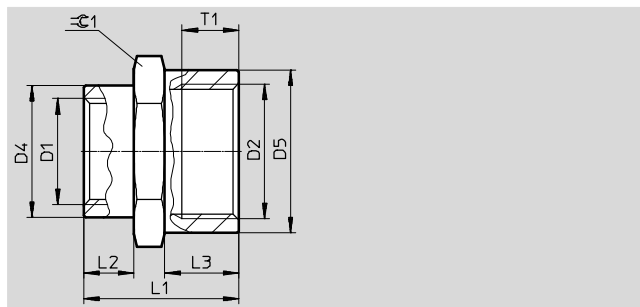
Sleeve NPFC-S



Dimensions and ordering data							
Connection	D5	L1	$\approx \varnothing 1$	Weight/piece [g]	Part no.	Type	PU ¹⁾
D1	\varnothing						
M5	7.5	11	8	3.13	8030290	NPFC-S-2M5-F	10
G $\frac{1}{8}$	13.5	15	14	11	8030291	NPFC-S-2G18-F	10
G $\frac{1}{4}$	16.5	22	17	18.8	8030292	NPFC-S-2G14-F	10
G $\frac{3}{8}$	21.5	24	22	35.7	8030293	NPFC-S-2G38-F	10
G $\frac{1}{2}$	25.5	30	26	54.4	8030294	NPFC-S-2G12-F	10
G $\frac{3}{4}$	31.5	32	32	79.1	8030295	NPFC-S-2G34-F	10

1) Packaging unit quantity

Reducing sleeve NPFC-R



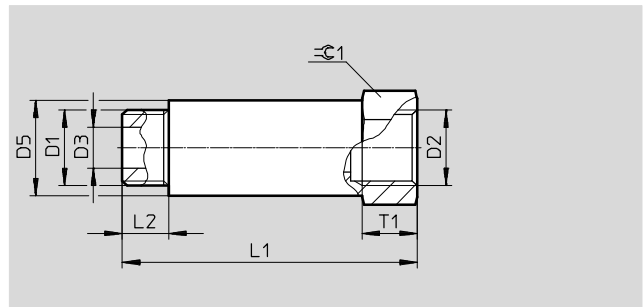
Dimensions and ordering data												
Connection	D2	D4	D5	L1	L2	L3	T1	$\approx \varnothing 1$	Weight/piece [g]	Part no.	Type	PU ¹⁾
D1	\varnothing	\varnothing	\varnothing									
M5	G $\frac{1}{8}$	10	13	13	4	5	6	14	10	8069219	NPFC-R-G18-M5-F	10
G $\frac{1}{8}$	G $\frac{1}{4}$	13	17	19	6	8	9.5	17	16	8069220	NPFC-R-G14-G18-F	10
	G $\frac{3}{8}$	13	20.5	20	6	8	10	22	24.6	8030296	NPFC-R-G38-G18-F	10
	G $\frac{1}{2}$	13	23.8	24	8	9.5	12	24	43	8069222	NPFC-R-G12-G18-F	10
G $\frac{1}{4}$	G $\frac{3}{8}$	16.5	20.5	23	8	8	10	22	33	8069221	NPFC-R-G38-G14-F	10
	G $\frac{1}{2}$	16.5	23.8	25	8	9.5	12	24	32	8069223	NPFC-R-G12-G14-F	10
G $\frac{3}{8}$	G $\frac{1}{2}$	21	23.8	27.5	8.5	10.5	14	24	38	8069224	NPFC-R-G12-G38-F	10
G $\frac{1}{2}$	G $\frac{3}{4}$	25	29.8	30	10	12	14	30	56.2	8030297	NPFC-R-G34-G12-F	10
	G1	25	39	39	11	18	17.5	40	145	8069225	NPFC-R-G1-G12-F	10
G $\frac{3}{4}$	G1	30	39	41	13	18	17.5	40	169	8069226	NPFC-R-G1-G34-F	10

1) Packaging unit quantity

Threaded fittings NPFC

Technical data

Extension NPFC-E...



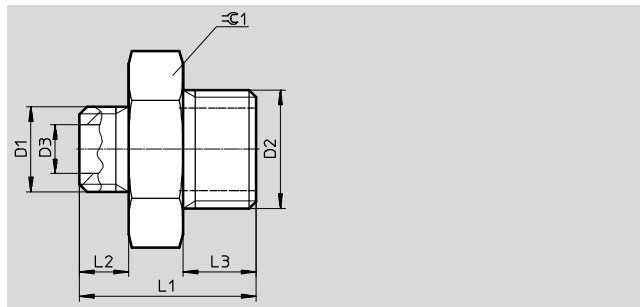
Dimensions and ordering data											
Connection		D3	D5	L1	L2	T1	$\varnothing C1$	Weight/piece [g]	Part no.	Type	PU ¹⁾
D1	D2	\varnothing	\varnothing								
E1											
M5	M5	2.7	6.8	18.5	4	5.5	7	4.1	8069218	NPFC-E1-2M5-FM	10
G $\frac{1}{8}$	G $\frac{1}{8}$	5.5	13	22	6	7.5	14	14.9	8030298	NPFC-E1-2G18-FM	10
G $\frac{1}{4}$	G $\frac{1}{4}$	8	16.5	28	8	9.5	17	25.4	8030299	NPFC-E1-2G14-FM	10
G $\frac{3}{8}$	G $\frac{3}{8}$	11	21.5	32	9	10	22	47.56	8030300	NPFC-E1-2G38-FM	10
G $\frac{1}{2}$	G $\frac{1}{2}$	15	25	35	10	11	26	59.8	8030301	NPFC-E1-2G12-FM	10
E2											
G $\frac{1}{8}$	G $\frac{1}{8}$	5.5	13	32	6	7.5	14	21.4	8030302	NPFC-E2-2G18-FM	10
G $\frac{1}{4}$	G $\frac{1}{4}$	8	16.5	35	8	9.5	17	31.76	8030303	NPFC-E2-2G14-FM	10
E3											
G $\frac{1}{8}$	G $\frac{1}{8}$	5.5	13	42	6	7.5	14	27.2	8030304	NPFC-E3-2G18-FM	10
G $\frac{1}{4}$	G $\frac{1}{4}$	8	16.5	51	8	9.5	17	47.1	8030305	NPFC-E3-2G14-FM	10
E4											
G $\frac{1}{8}$	G $\frac{1}{8}$	5.5	13	51	6	7.5	14	33.1	8030306	NPFC-E4-2G18-FM	10

1) Packaging unit quantity

Threaded fittings NPFC

Technical data

Double nipple NPFC-D
M/G thread



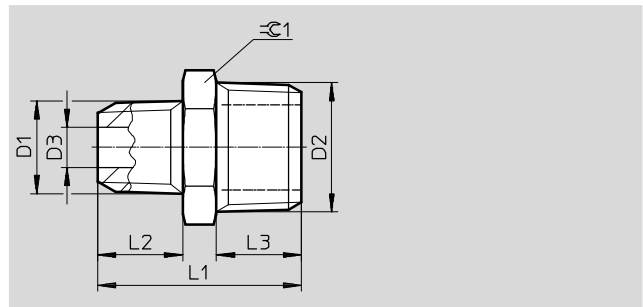
Dimensions and ordering data										
Connection		D3	L1	L2	L3	$\approx C1$	Weight/piece [g]	Part no.	Type	PU ¹⁾
D1	D2	∅								
M3	M3	1.5	10	2.8	2.8	5	1	8069210	NPFC-D-2M3-M	10
M5	M5	2.5	11.5	4	4	8	2.47	8030267	NPFC-D-2M5-M	10
	G $\frac{1}{8}$	2.5	14.5	4	6	14	8.8	8069211	NPFC-D-M5-G18-M	10
M7	G $\frac{1}{8}$	4	15.5	4	6	14	8.7	8030268	NPFC-D-M7-G18-M	10
G $\frac{1}{8}$	G $\frac{1}{8}$	5.5	16.5	6	6	14	9.7	8030269	NPFC-D-2G18-M	10
								8069212	NPFC-D-2G18-M-P100	100
	G $\frac{1}{4}$	5.5	19	6	8	17	15.8	8030270	NPFC-D-G18-G14-M	10
G $\frac{1}{4}$	G $\frac{3}{8}$	5.5	20	6	9	19	20.5	8030271	NPFC-D-G18-G38-M	10
	G $\frac{1}{4}$	8	21	8	8	17	17.2	8030272	NPFC-D-2G14-M	10
								8069213	NPFC-D-2G14-M-P100	100
G $\frac{3}{8}$	G $\frac{3}{8}$	8	22	8	9	19	22.4	8030273	NPFC-D-G14-G38-M	10
	G $\frac{1}{2}$	8	23.5	8	10	24	33.35	8030274	NPFC-D-G14-G12-M	10
	G $\frac{3}{8}$	11	23	9	9	19	24	8030275	NPFC-D-2G38-M	10
G $\frac{1}{2}$	G $\frac{3}{8}$	11	24.5	9	10	24	35.2	8069214	NPFC-D-2G38-M-P50	50
	G $\frac{1}{2}$	15	25.5	10	10	24	35.75	8030276	NPFC-D-G38-G12-M	10
								8030277	NPFC-D-2G12-M	10
G $\frac{3}{4}$	G $\frac{1}{2}$	15	27.5	10	12	30	58.7	8069215	NPFC-D-2G12-M-P50	50
	G $\frac{3}{4}$	20	29.5	12	12	30	63.7	8069216	NPFC-D-G12-G34-M	10
G $\frac{3}{4}$	G $\frac{3}{4}$	20	29.5	12	12	30	63.7	8069217	NPFC-D-2G34-M	10

1) Packaging unit quantity

Threaded fittings NPFC

Technical data

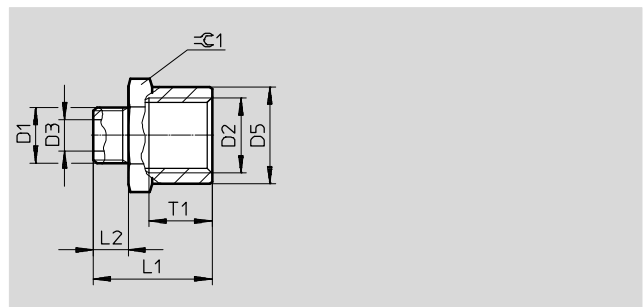
Double nipple NPFC-D R thread



Dimensions and ordering data										
Connection		D3	L1	L2	L3	$\varnothing C1$	Weight/piece [g]	Part no.	Type	PU ¹⁾
D1	D2	\varnothing								
R $\frac{1}{8}$	R $\frac{1}{8}$	5.5	19.5	7.5	7.5	12	9.4	8030278	NPFC-D-2R18-M	10
	R $\frac{1}{4}$	5.5	23.5	7.5	11	14	14.7	8030279	NPFC-D-R18-R14-M	10
	R $\frac{3}{8}$	5.5	24	7.5	11.5	17	20.16	8030280	NPFC-D-R18-R38-M	10
R $\frac{1}{4}$	R $\frac{1}{4}$	8	27	11	11	14	17.9	8030281	NPFC-D-2R14-M	10
	R $\frac{3}{8}$	8	27.5	11	11.5	17	23.4	8030282	NPFC-D-R14-R38-M	10
	R $\frac{1}{2}$	8	30.5	11	14	22	35.43	8030283	NPFC-D-R14-R12-M	10
R $\frac{3}{8}$	R $\frac{3}{8}$	11	28	11.5	11.5	17	26.27	8030284	NPFC-D-2R38-M	10
	R $\frac{1}{2}$	11	31	11.5	14	22	38.42	8030285	NPFC-D-R38-R12-M	10
R $\frac{1}{2}$	R $\frac{1}{2}$	15	33.5	14	14	22	41.1	8030286	NPFC-D-2R12-M	10
	R $\frac{3}{4}$	15	37.5	14	16.5	27	68.5	8030287	NPFC-D-R12-R34-M	10
R $\frac{3}{4}$	R $\frac{3}{4}$	19	40	16.5	16.5	27	80.14	8030288	NPFC-D-2R34-M	10
R1	R1	24	46.5	19	19	34	147.33	8030289	NPFC-D-2R1-M	10

1) Packaging unit quantity

Reducing nipple NPFC-R Internal thread/external thread



Dimensions and ordering data											
Connection		D3	D5	L1	L2	T1	$\varnothing C1$	Weight/piece [g]	Part no.	Type	PU ¹⁾
D1	D2	\varnothing	\varnothing								
M5	G $\frac{1}{8}$	2.5	13.5	14.5	4	7.4	14	9.3	8030314	NPFC-R-G18-M5-FM	10
G $\frac{1}{8}$	G $\frac{1}{4}$	5.5	17	20.5	6	9.5	17	17.8	8030315	NPFC-R-G14-G18-FM	10
	G $\frac{3}{8}$	5.5	21.5	21.5	6	10.5	22	30.1	8030316	NPFC-R-G38-G18-FM	10
G $\frac{1}{4}$	G $\frac{3}{8}$	8	21.5	23.5	8	10.5	22	32	8030317	NPFC-R-G38-G14-FM	10
G $\frac{3}{8}$	G $\frac{1}{2}$	11	25	27.5	9	13	26	45.1	8030318	NPFC-R-G12-G38-FM	10

1) Packaging unit quantity

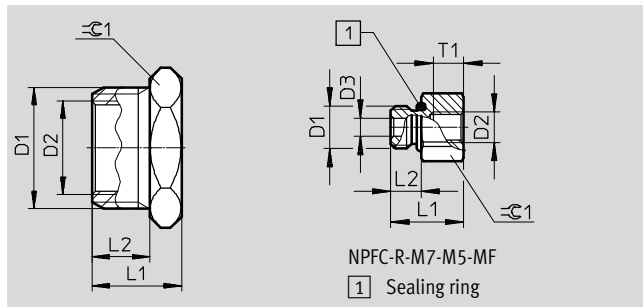
Threaded fittings NPFC

Technical data

FESTO

Reducing nipple NPFC-R

External thread/internal thread



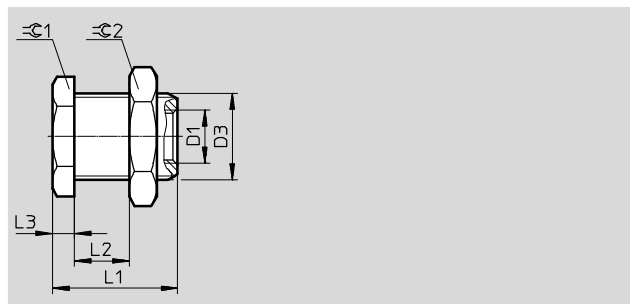
Dimensions and ordering data										
Connection		D3	L1	L2	T1	≈C1	Weight/piece [g]	Part no.	Type	PU ¹⁾
D1	D2	∅								
M5	M3	–	6.5	4	–	7	1.2	8069227	NPFC-R-M5-M3-MF	10
M7	M5	3	12	5	4	10	5.1	8069228	NPFC-R-M7-M5-MF	10
G ¹ / ₈	M5	–	10.5	6	–	14	8.2	8030307	NPFC-R-G18-M5-MF	10
G ¹ / ₄	M5	–	13	8	–	17	17.6	8069229	NPFC-R-G14-M5-MF	10
	G ¹ / ₈	–	13	8	–	17	10.8	8030308	NPFC-R-G14-G18-MF	10
								8069230	NPFC-R-G14-G18-MF-P100	100
G ³ / ₈	G ¹ / ₈	–	14	9	–	19	19.4	8030309	NPFC-R-G38-G18-MF	10
	G ¹ / ₄	–	14	9	–	19	13	8030310	NPFC-R-G38-G14-MF	10
								8069231	NPFC-R-G38-G14-MF-P50	50
G ¹ / ₂	G ¹ / ₄	–	15.5	10	–	24	31.4	8030311	NPFC-R-G12-G14-MF	10
								8069232	NPFC-R-G12-G14-MF-P50	50
	G ³ / ₈	–	15.5	10	–	24	22.1	8030312	NPFC-R-G12-G38-MF	10
G ³ / ₄								8069233	NPFC-R-G12-G38-MF-P50	50
	G ¹ / ₄	–	17.5	12	–	30	72.3	8069234	NPFC-R-G34-G14-MF	10
	G ³ / ₈	–	17.5	12	–	30	64	8069235	NPFC-R-G34-G38-MF	10
	G ¹ / ₂	–	17.5	12	–	30	39.3	8030313	NPFC-R-G34-G12-MF	10
G1								8069236	NPFC-R-G34-G12-MF-P50	50
	G ¹ / ₂	–	20	12	–	40	133.9	8069237	NPFC-R-G1-G12-MF	10
	G ³ / ₄	–	20	12	–	40	96.2	8069238	NPFC-R-G1-G34-MF	10

1) Packaging unit quantity

Threaded fittings NPFC

Technical data

Bulkhead fitting NPFC-H



Dimensions and ordering data										
Connection	D3	L1	L2 max.	L3	≈C1	≈C2	Weight/piece [g]	Part no.	Type	PU ¹⁾
M5	M10x1	15.5	8	4	13	13	12	8069239	NPFC-H-M5-F	10
G ¹ / ₈	M14x1.5	20	11	5	17	17	30	8069240	NPFC-H-G18-F	10
G ¹ / ₄	M20x1.5	22	12	5	24	24	55.1	8069241	NPFC-H-G14-F	10
G ³ / ₈	M24x1.5	26.5	12.5	8	27	27	93	8069242	NPFC-H-G38-F	10
G ¹ / ₂	M30x1.5	28.5	14.5	8	36	36	111.6	8069243	NPFC-H-G12-F	10

1) Packaging unit quantity

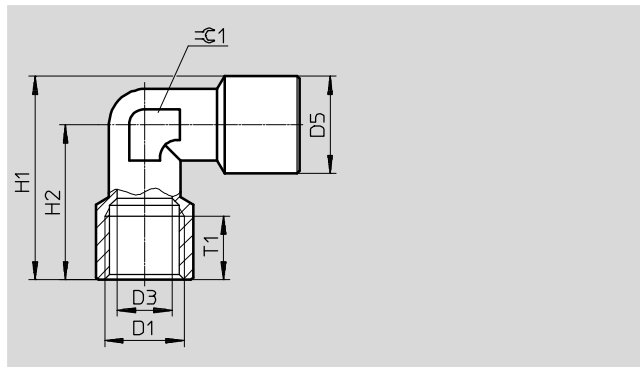
Threaded fittings NPFC

Technical data

FESTO

Elbow fitting NPFC-L

Internal thread

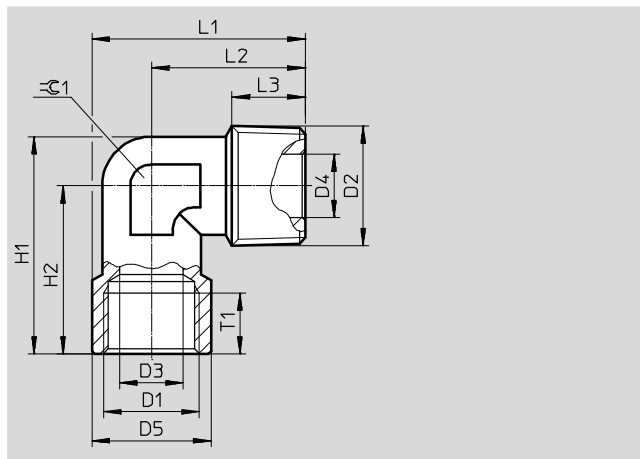


Dimensions and ordering data										
Connection	D3	D5	H1	H2	T1	$\varnothing C1$	Weight/piece [g]	Part no.	Type	PU ¹⁾
D1	\varnothing	\varnothing								
M5	4.2	8.5	15.3	11	4	9	8.8	8030208	NPFC-L-2M5-F	10
G $\frac{1}{8}$	6	13	27.5	21	7.4	11	22.5	8030209	NPFC-L-2G18-F	10
G $\frac{1}{4}$	8	16.5	33.8	25.5	9.5	13	36.2	8030210	NPFC-L-2G14-F	10
G $\frac{3}{8}$	11	20.5	38.3	28	10.5	17	54.1	8030211	NPFC-L-2G38-F	10
G $\frac{1}{2}$	15	25.5	44.8	32	13	20	91.5	8030212	NPFC-L-2G12-F	10
G $\frac{3}{4}$	19	32	52.5	36.5	14.5	27	161	8030213	NPFC-L-2G34-F	10
G1	24	39	64.5	45	16.5	30	238	8030214	NPFC-L-2G1-F	10

1) Packaging unit quantity

Elbow fitting NPFC-L

External thread/internal thread



Dimensions and ordering data															
Connection	D3	D4	D5	H1	H2	L1	L2	L3	T1	$\varnothing C1$	Weight/piece [g]	Part no.	Type	PU ¹⁾	
D1	D2	\varnothing	\varnothing	\varnothing											
M5	M5	3	2.5	8.5	15.8	11.5	15.8	11.5	4	5	9	8.5	8030215	NPFC-L-2M5-MF	10
G $\frac{1}{8}$	R $\frac{1}{8}$	6	5.5	13	26	19	24.5	18	7.5	7.4	11	19.8	8030216	NPFC-L-R18-G18-MF	10
G $\frac{1}{4}$	R $\frac{1}{4}$	8	8	16.5	31.5	25.5	32.3	24	11	9.5	13	32.3	8030217	NPFC-L-R14-G14-MF	10
G $\frac{3}{8}$	R $\frac{3}{8}$	11	11	20.5	35.5	28	37.3	27	11.5	10.5	17	48.7	8030218	NPFC-L-R38-G38-MF	10
G $\frac{1}{2}$	R $\frac{1}{2}$	15	15	25.5	41.7	32	42.3	29.5	14	13	20	77.8	8030219	NPFC-L-R12-G12-MF	10
G $\frac{3}{4}$	R $\frac{3}{4}$	20	20	32	48.5	36.5	48	32	14.7	14.5	27	131.7	8030220	NPFC-L-R34-G34-MF	10
G1	R1	24	24	39	59.5	45	58.5	39	15.7	16.5	30	197.4	8030221	NPFC-L-R1-G1-MF	10

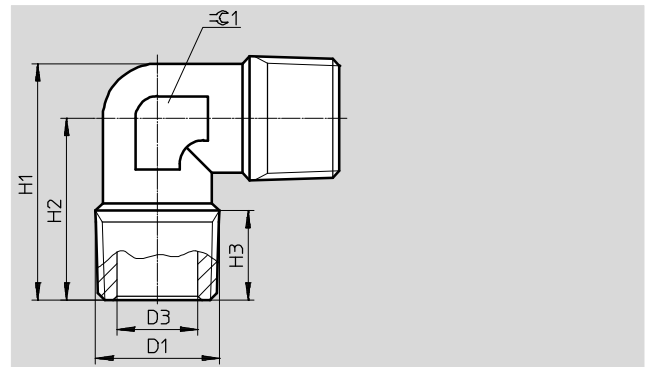
1) Packaging unit quantity

Threaded fittings NPFC

Technical data

Elbow fitting NPFC-L

External thread

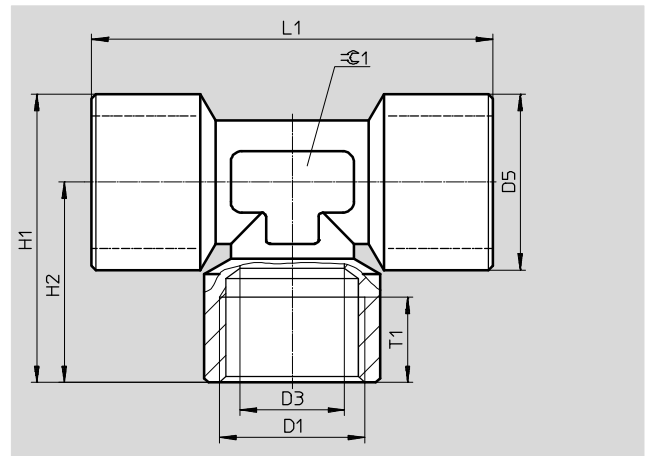


Dimensions and ordering data									
Connection	D3	H1	H2	H3	$\varnothing C1$	Weight/piece	Part no.	Type	PU ¹⁾
D1	\varnothing					[g]			
M5	2.5	15.8	11.5	4	9	7.7	8030222	NPFC-L-2M5-M	10
R $\frac{1}{8}$	5.5	23	18	7.5	11	16.1	8030223	NPFC-L-2R18-M	10
R $\frac{1}{4}$	8	31	24	11	13	27.7	8030224	NPFC-L-2R14-M	10
R $\frac{3}{8}$	11	34.5	27	11.5	17	43.3	8030225	NPFC-L-2R38-M	10
R $\frac{1}{2}$	15	39.2	29.5	14	20	62	8030226	NPFC-L-2R12-M	10
R $\frac{3}{4}$	19	44	32	13	27	102.6	8030227	NPFC-L-2R34-M	10

1) Packaging unit quantity

T-fitting NPFC-T

Internal thread



Dimensions and ordering data											
Connection	D3	D5	H1	H2	L1	T1	$\varnothing C1$	Weight/piece	Part no.	Type	PU ¹⁾
D1	\varnothing	\varnothing						[g]			
G $\frac{1}{8}$	6	13	26	19.5	39	7.4	12	28.9	8030235	NPFC-T-3G18-F	10
G $\frac{1}{4}$	8	16.5	32.8	24.5	49	9.5	13	49.3	8030236	NPFC-T-3G14-F	10
G $\frac{3}{8}$	11	20.5	37.3	27	54	10.5	16	71.9	8030237	NPFC-T-3G38-F	10
G $\frac{1}{2}$	15	25.5	44.8	32	64	13	20	129.3	8030238	NPFC-T-3G12-F	10
G $\frac{3}{4}$	19	32	52.5	36.5	73	14.5	27	214.3	8030239	NPFC-T-3G34-F	10
G1	24	39	64.5	45	90	16.5	30	353	8030240	NPFC-T-3G1-F	10

1) Packaging unit quantity

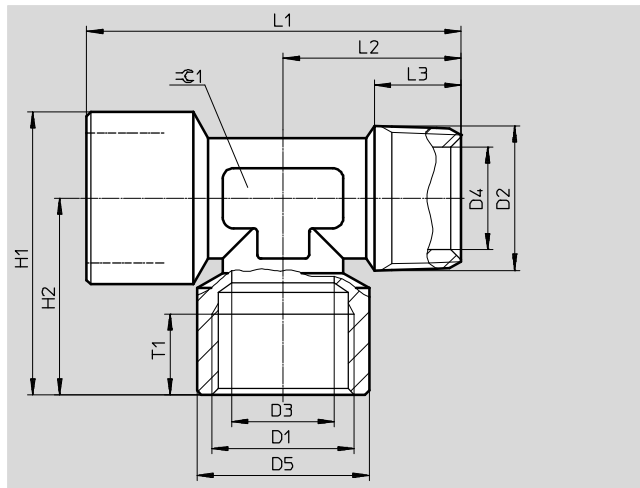
Threaded fittings NPFC

Technical data

FESTO

T-fitting NPFC-T

Internal thread/external thread/
internal thread

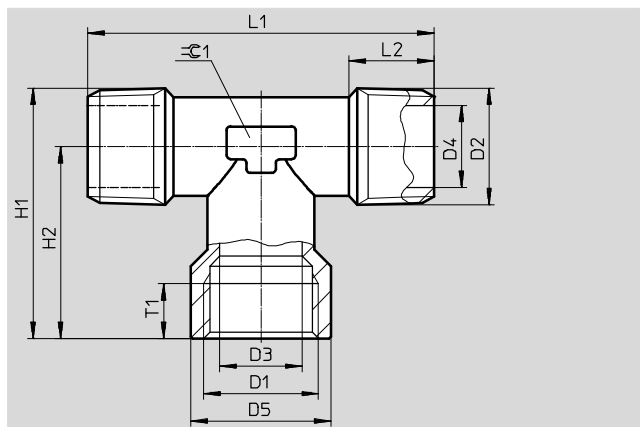


Dimensions and ordering data															
Connection		D3	D4	D5	H1	H2	L1	L2	L3	T1	$\approx C1$	Weight/piece [g]	Part no.	Type	PU ¹⁾
D1	D2	∅	∅	∅											
M5	M5	3	2.5	8.5	15.3	12	22	11	4	5	9	10.9	8030245	NPFC-T-3M5-FMF	10
G $\frac{1}{8}$	R $\frac{1}{8}$	6	6	13	26	19.5	37	17.5	7.5	7.4	12	26	8030246	NPFC-T-2G18-R18-FMF	10
G $\frac{1}{4}$	R $\frac{1}{4}$	8	8	16.5	32.8	24.6	47.5	23	11	9.5	13	44.4	8030247	NPFC-T-2G14-R14-FMF	10
G $\frac{3}{8}$	R $\frac{3}{8}$	11	11	20.5	37.3	27.1	52.5	25.5	11.5	10.5	16	65.8	8030248	NPFC-T-2G38-R38-FMF	10
G $\frac{1}{2}$	R $\frac{1}{2}$	15	15	25.5	44.8	32.1	61.5	29.5	14	13	20	114.2	8030249	NPFC-T-2G12-R12-FMF	10
G $\frac{3}{4}$	R $\frac{3}{4}$	19	19	32	52.5	36.5	68.5	32	14	14.5	27	186	8030250	NPFC-T-2G34-R34-FMF	10
G1	R1	24	24	39	64.5	45	84	39	16	16.5	30	296	8030251	NPFC-T-2G1-R1-FMF	10

1) Packaging unit quantity

T-fitting NPFC-T

Internal thread/external thread/
external thread



Dimensions and ordering data															
Connection		D3	D4	D5	H1	H2	L1	L2	T1	$\approx C1$	Weight/piece [g]	Part no.	Type	PU ¹⁾	
D1	D2	∅	∅	∅											
G $\frac{1}{8}$	R $\frac{1}{8}$	6	5.5	13	24.5	19.5	35	7.5	7.4	12	23.1	8030255	NPFC-T-G18-2R18-FMM	10	
G $\frac{1}{4}$	R $\frac{1}{4}$	8	8	16.5	31	24.5	46	11	9.5	13	40.3	8030256	NPFC-T-G14-2R14-FMM	10	
G $\frac{3}{8}$	R $\frac{3}{8}$	11	11	20.5	35.5	27	51.5	11.5	10.5	16	60.8	8030257	NPFC-T-G38-2R38-FMM	10	
G $\frac{1}{2}$	R $\frac{1}{2}$	15	15	25.5	42.8	32	59	14	13	20	100.7	8030258	NPFC-T-G12-2R12-FMM	10	

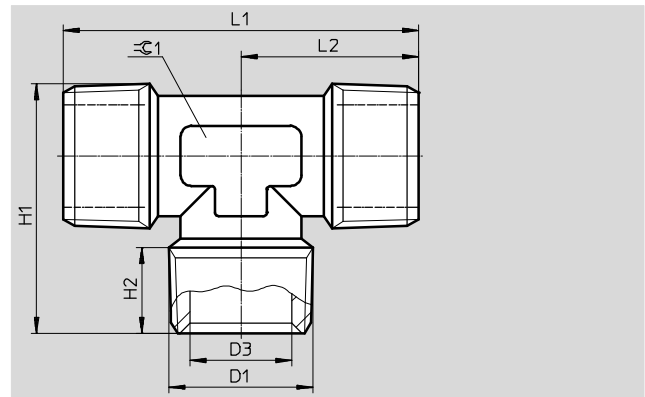
1) Packaging unit quantity

Threaded fittings NPFC

Technical data

T-fitting NPFC-T

External thread

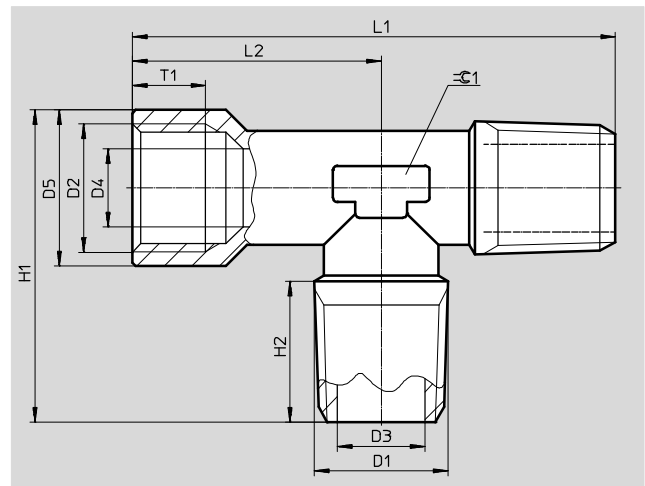


Dimensions and ordering data											
Connection	D3	H1	H2	L1	L2	$\approx C1$	Weight/piece [g]	Part no.	Type	PU ¹⁾	
D1	\emptyset										
R $\frac{1}{4}$	8	29.8	11	46	23	13	36.2	8030252	NPFC-T-3R14-M	10	
R $\frac{3}{8}$	11	34.1	11.5	51.5	25.5	16	54.9	8030253	NPFC-T-3R38-M	10	
R $\frac{1}{2}$	15	40.3	14	59	29.5	20	86	8030254	NPFC-T-3R12-M	10	

1) Packaging unit quantity

T-fitting NPFC-T

External thread/external thread/
internal thread



Dimensions and ordering data														
Connection	D2	D3	D4	D5	H1	H2	L1	L2	T1	$\approx C1$	Weight/piece [g]	Part no.	Type	PU ¹⁾
D1	\emptyset	\emptyset	\emptyset	\emptyset										
R $\frac{1}{8}$	G $\frac{1}{8}$	5.5	6	13	24	7.5	37	19.5	7.4	12	23.2	8030259	NPFC-T-2R18-G18-MMF	10
R $\frac{1}{4}$	G $\frac{1}{4}$	8	8	16.5	31.3	11	47.5	24.5	9.5	13	40.3	8030260	NPFC-T-2R14-G14-MMF	10
R $\frac{1}{2}$	G $\frac{1}{2}$	15	15	25.5	42.3	14	61.5	32	13	20	100.6	8030261	NPFC-T-2R12-G12-MMF	10

1) Packaging unit quantity

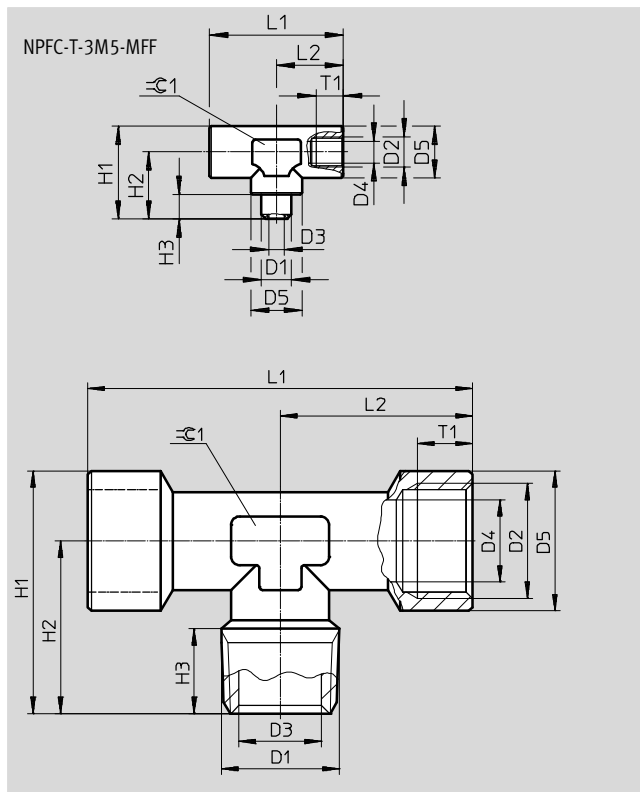
Threaded fittings NPFC

Technical data



T-fitting NPFC-T

External thread/internal thread/
internal thread



Dimensions and ordering data																
Connection		D3	D4	D5	H1	H2	H3	L1	L2	T1	≈C1	Weight/piece	Part no.	Type	PU ¹⁾	
D1	D2	∅	∅	∅								[g]				
M5	M5	2.5	3	8.5	15.3	11	4	22	11	4.5	9	10.6	8069244	NPFC-T-3M5-MFF	10	
R ¹ / ₈	G ¹ / ₈	5.5	6	13	24	17.5	8	39	19.5	7.4	12	26.3	8030241	NPFC-T-R18-2G18-MFF	10	
R ¹ / ₄	G ¹ / ₄	8	8	16.5	31.3	23	11	49	24.5	9.5	13	45	8030242	NPFC-T-R14-2G14-MFF	10	
R ³ / ₈	G ³ / ₈	11	11	20.5	35.8	25.5	11.5	54	27	10.5	16	65.9	8030243	NPFC-T-R38-2G38-MFF	10	
R ¹ / ₂	G ¹ / ₂	15	15	25.5	41.8	29	14	64	32	13	20	114.7	8030244	NPFC-T-R12-2G12-MFF	10	

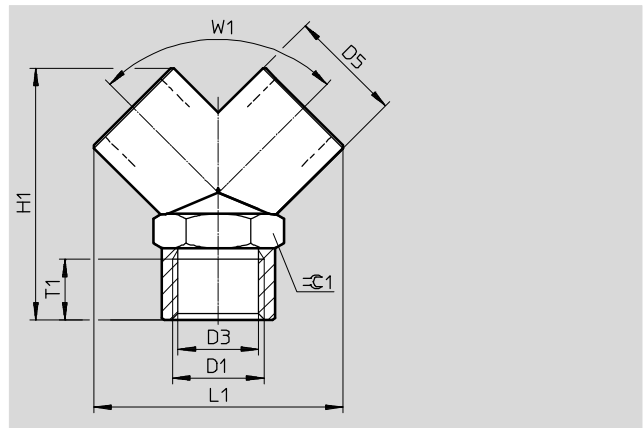
1) Packaging unit quantity

Threaded fittings NPFC

Technical data

Y-fitting NPFC-Y

Internal thread

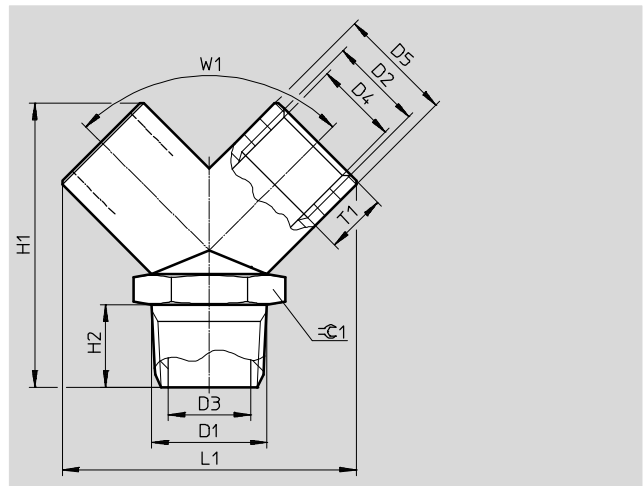


Dimensions and ordering data											
Connection D1	D3 Ø	D5 Ø	H1	L1	T1	W1	≈C1	Weight/piece [g]	Part no.	Type	PU ¹⁾
G ¹ / ₄	11.5	17	36.8	36.8	9.5	90°	17	41.6	8030228	NPFC-Y-3G14-F	10
G ³ / ₈	15	22	46	46	10.5	90°	22	91.9	8030229	NPFC-Y-3G38-F	10
G ¹ / ₂	18.5	26	58	57.3	13	90°	26	144.6	8030230	NPFC-Y-3G12-F	10

1) Packaging unit quantity

Y-fitting NPFC-Y

External thread/internal thread/
internal thread



Dimensions and ordering data														
Connection D1	D2	D3 Ø	D4 Ø	D5 Ø	H1	H2	L1	T1	W1	≈C1	Weight/piece [g]	Part no.	Type	PU ¹⁾
R ¹ / ₈	G ¹ / ₈	5.5	8.5	14	32.8	9	32.5	8.5	90°	14	30.7	8030231	NPFC-Y-R18-2G18-MFF	10
R ¹ / ₄	G ¹ / ₄	8	11.5	17	37	11	37	9.5	90°	17	40.8	8030232	NPFC-Y-R14-2G14-MFF	10
R ³ / ₈	G ³ / ₈	11	15	22	46	12.5	46	10.5	90°	22	86.7	8030233	NPFC-Y-R38-2G38-MFF	10
R ¹ / ₂	G ¹ / ₂	15	18.5	26	58	16.5	57.3	13	90°	26	138.5	8030234	NPFC-Y-R12-2G12-MFF	10

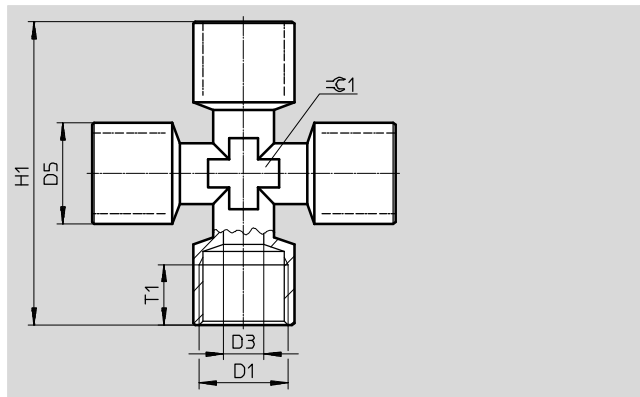
1) Packaging unit quantity

Threaded fittings NPFC

Technical data

X-fitting NPFC-X

Internal thread

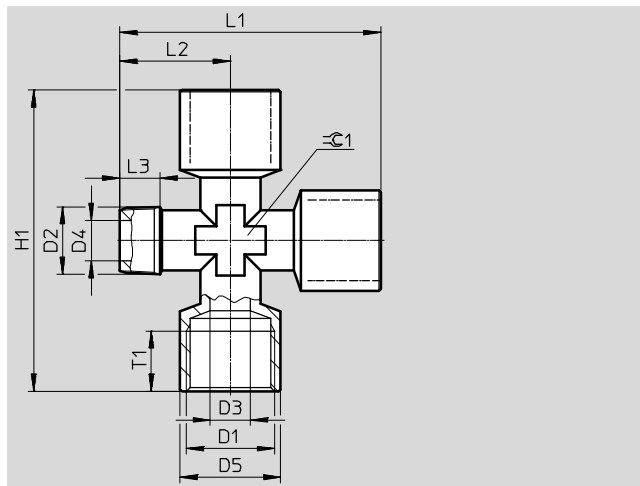


Dimensions and ordering data										
Connection	D3	D5	H1	T1	⌀	Weight/piece [g]	Part no.	Type	PU ¹⁾	
D1	∅	∅								
G ¹ / ₄	8	16.5	50	9.5	13	63.7	8030262	NPFC-X-4G14-F	10	
G ³ / ₈	11	20.5	56	10.5	17	100.1	8030263	NPFC-X-4G38-F	10	
G ¹ / ₂	15	25.5	64	13	20	164.1	8030264	NPFC-X-4G12-F	10	

1) Packaging unit quantity

X-fitting NPFC-X

External thread/internal thread/
internal thread/internal thread



Dimensions and ordering data															
Connection	D2	D3	D4	D5	H1	L1	L2	L3	T1	⌀	Weight/piece [g]	Part no.	Type	PU ¹⁾	
D1		∅	∅	∅											
G ¹ / ₄	R ¹ / ₄	8	8	16.5	50	48.5	23.5	11	9.5	13	59.6	8030265	NPFC-X-R14-3G14-MFFF	10	
G ¹ / ₂	R ¹ / ₂	15	15	25.5	64	61	29	14	13	20	146.7	8030266	NPFC-X-R12-3G12-MFFF	10	

1) Packaging unit quantity