

Sensor/actuator distributor



Sensor/actuator distributor

Key features

FESTO

Performance

Functional description

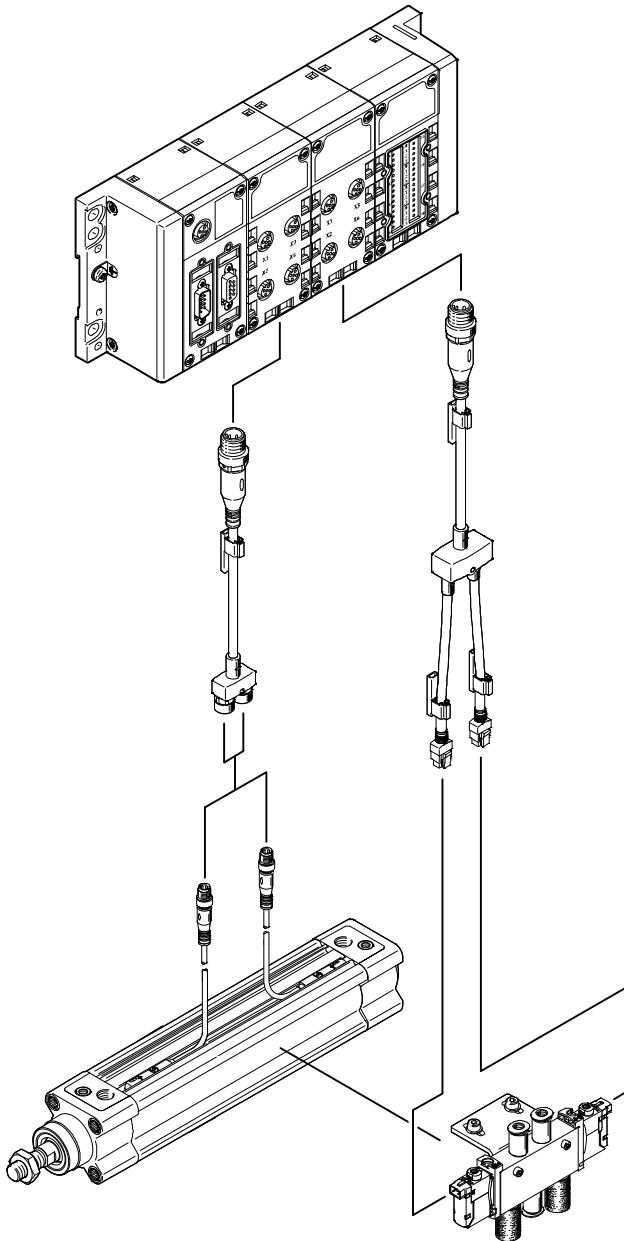
The distributors NEDY can perform two different tasks:

- Collecting signals between field devices (sensors) and double-occupied controller inputs
- Distributing signals between controller outputs with double assignment and field devices (actuators, e.g. valves)

Depending on the chosen task, the distributors will differ as follows:

- Design of the electrical connections
- Wiring allocation
- LED indicators and holding current reduction

Variants



Controller side, connection no. 1

- M8, M12 connection technology
- Open cable end

Transmission

- Maximum length: 30 m (entire string length)
- Many types quickly available with standard lengths of 2.5 m and 5 m
- Mounting for T-slot
- Optimised cable material for installations where it comes in contact with pneumatic tubing; free from phosphoric acid ester

Cables suitable for use with energy chains and robots for:

- Harsh environments
- High mechanical loads
- Energy chains (5 million cycles for a radius greater than 28 mm)
- Torsion loads

Field device side, connection no. 2 and no. 4

- M8, M12 connection technology
- Standardised plug connectors for valves and solenoid coils type A, B, C
- Festo-specific plug connectors for valves and solenoid coils ZB and ZC
- Open cable end

Sensor/actuator distributor

Key features

FESTO

Distributor selection

Configurator

The appropriate NEDY distributor can be chosen quickly and easily using the online catalogue. The convenient configurator provided makes it much easier to order the right product.

In particular, the configurator enables any cable length up to a total length of 30 m to be selected, as required by the installation conditions.

Order a distributor NEDY using the order code.

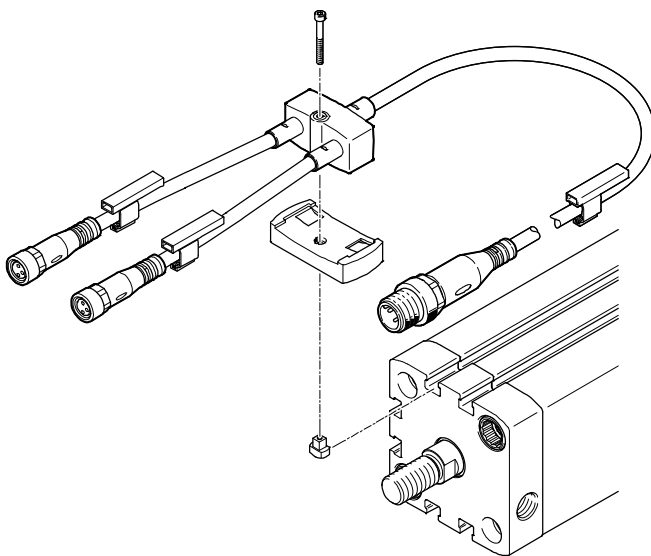
Ordering system for NEDY
→ Internet: nedy

Online via: → www.festo.com

2D/3D CAD data

You can request the CAD data for a valve terminal you have configured. To do so, start the product search as described above. Go to the shopping basket and click on the CAD icon (compass). On the next page, you can generate a 3D preview or request a data format of your choice via e-mail.

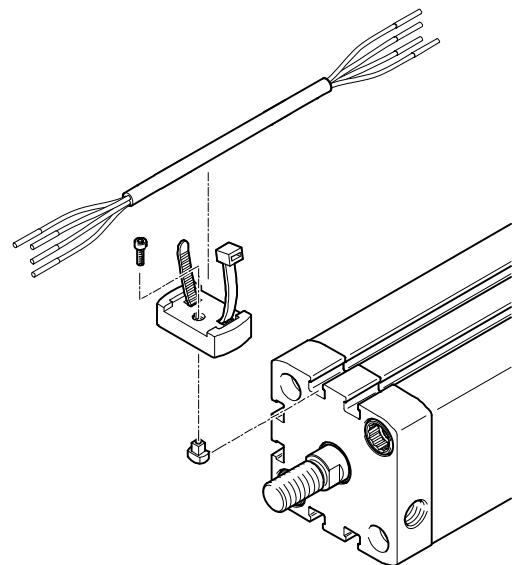
Mounting



The distributors NEDY have a through-hole on the distributor housing suitable for an M2 screw.

A mounting kit in two sizes is available for mounting in T-slots.

The distributors NEDY can be easily and safely mounted using the mounting kit; for pneumatic tubing and electrical connecting cables a cable tie can be used.



The mounting kit guarantees secure mounting in T-slots from Festo. The geometry of the retainer as well as the slot nut are precisely adapted to these T-slots.

The distributor can be mounted parallel or at right angles to the T-slot and the slot nut can be inserted into the T-slot from above or from the side.

Sensor/actuator distributor

Key features

Connection technology version

The type of plug connectors to be used on the connecting cable (e.g. angled or straight) can be selected.

The rotatable version is a special version: with an angled plug socket, the cable outlet can be rotated 360° in 15° increments.

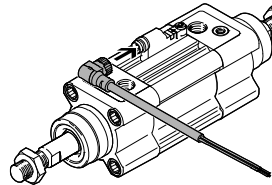
Advantage:
In tight installation conditions the cable outlet can be rotated into the optimum position.

The rotatable plug connector is not designed to be constantly adjusted.

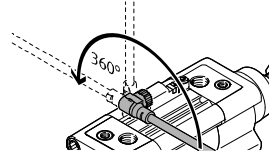
Mounting



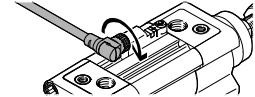
Observe the orientation of the pins.



Place the plug socket onto the plug connector.



Adjust the cable outlet.



Tighten the union nut.

Indicators and identification

LED indicator

An LED indicator or wiring for holding current reduction can be chosen on the field device side of the distributor, depending on the selected connection technology.

- Signal status display (only for valves)
- Signal status display with holding current reduction (only for valves without holding current reduction)
- Ready status display and switching status display (only for sensors)

Inscription label holder

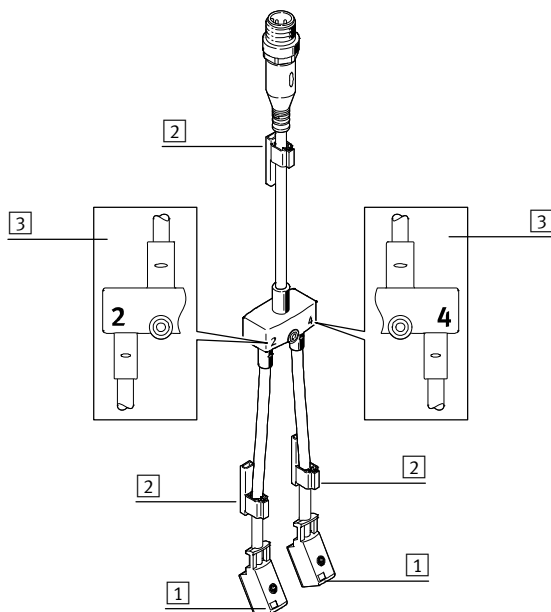
There is an option to use inscription label holders in order to identify the distributor's individual cables. The inscription label holders can be ordered together with the cables or separately as accessories.

Housing identification

The field device-side connections on the distributor housing are identified with the numbers 2 and 4. This makes them easy to match up with the circuit diagrams:

- Controller side – connection no. 1
- Field device side – connection no. 2 and no. 4


LED indicator and identification elements

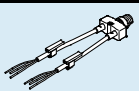


- 1 LED indicator, field device side
- 2 Inscription label holder
- 3 Housing identification

Sensor/actuator distributor

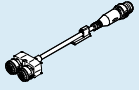
Product range overview – Field device side

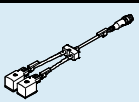
Y-distributor without cable	Field device side				Controller side				→ Page
					Plug connector M12x1	Plug connector M8x1	Open cable end		
							4-pin	4-pin	
	Plug socket M8x1	3-pin	Straight	–	■	■	–	–	7
	Plug socket M12x1	5-pin	Straight	–	■	–	–	–	26

Y-distributor with cables on field device side	Field device side				Controller side				→ Page
					Plug connector M12x1	Plug connector M8x1	Open cable end		
							4-pin	4-pin	
	Plug socket M8x1	3-pin	Straight	–	■	■	–	–	7
			Angled	–	■	■	–	–	7
				Switching status display and ready status display (only for PNP sensors)	■	■	–	–	7
		4-pin	Straight	–	■	■	–	–	17
				Signal status display (only for valves)	■	■	–	–	17
			Angled	–	■	■	–	–	17
	Signal status display (only for valves)	■		■	–	–	17		
	Plug socket M12x1	5-pin	Straight	–	■	■	–	–	26
			Angled	–	■	■	–	–	26
				Switching status display and ready status display (only for PNP sensors)	■	■	–	–	26
	Plug socket, type A	4-pin	To EN 175301-803		■	■	–	–	36
	Plug socket, type B	3-pin	To EN 175301-803		■	■	–	–	44
			To industry standard, 11 mm		■	■	–	–	51
	Plug socket, type C	4-pin	To EN 175301-803		■	■	–	–	59
			To industry standard, 9.4 mm		■	■	–	–	67
	Plug socket, connection pattern H	3-pin	–		■	■	–	–	74
Plug socket, connection pattern ZB	2-pin	–		■	■	–	–	81	
Plug socket, connection pattern ZC	2-pin	Self-tapping screw		■	■	–	–	88	
		Metric screw	Signal status display (only for valves)		■	■	–	–	95
			Signal status display and holding current reduction (only for valves without holding current reduction)		■	■	–	–	95
Open cable end	3-wire	–		■	■	–	–	103	

Sensor/actuator distributor

Product range overview – Possible combinations

Y-distributor with cable on controller side	Field device side				Controller side				→ Page
					Plug connector M12x1	Plug connector M8x1	Open cable end		
					4-pin	4-pin	3-wire	4-wire	
	Plug socket M8x1	3-pin	Straight	–	■	■	–	■	7
	Plug socket M12x1	5-pin	Straight	–	■	■	–	■	26

Y-distributor with cables on both sides	Field device side				Controller side				→ Page
					Plug connector M12x1	Plug connector M8x1	Open cable end		
					4-pin	4-pin	3-wire	4-wire	
	Plug socket M8x1	3-pin	Straight	–	■	■	–	■	7
			Angled	–	■	■	–	■	7
				Switching status display and ready status display (only for PNP sensors)	–	■	■	–	■
		Rotatable	–	■	■	–	■	7	
		4-pin	Straight	–	■	■	–	■	17
				Signal status display (only for valves)	–	■	■	■	–
	Angled		–	■	■	–	■	17	
		Signal status display (only for valves)	–	■	■	■	–	17	
	Plug socket M12x1	5-pin	Straight	–	■	■	–	■	26
			Angled	–	■	■	–	■	26
				Switching status display and ready status display (only for PNP sensors)	–	■	■	–	■
	Plug socket, type A	4-pin	To EN 175301-803		■	■	■	–	36
	Plug socket, type B	3-pin	To EN 175301-803		■	■	■	–	44
			To industry standard, 11 mm		■	■	■	–	51
	Plug socket, type C	4-pin	To EN 175301-803		■	■	■	–	59
			To industry standard, 9.4 mm		■	■	■	–	67
Plug socket, connection pattern H	3-pin	–		■	■	■	–	74	
Plug socket, connection pattern ZB	2-pin	–		■	■	■	–	81	
Plug socket, connection pattern ZC	2-pin	Self-tapping screw		■	■	■	–	88	
		Metric screw	Signal status display (only for valves)		■	■	■	–	95
			Signal status display and holding current reduction (only for valves without holding current reduction)		■	■	■	–	95
Open cable end	3-wire	–		■	■	–	■	103	

Y-distributor, plug socket M8x1, to EN 61076-2-104, 3-pin

Type codes

NEDY - L2R1 - V1 - M8 - 3 - - - - - - - - - -

Function

NEDY	Distributor
------	-------------

Distributor type

L2R1	2 to 1
------	--------

Wiring allocation

V1	Standard variant
----	------------------

Connection technology on left, field device side

M8	Plug socket M8x1, A-coded, EN 61076-2-104
----	---

Cable outlet, left

G	Straight
R	Rotatable
W	Angled

Number of pin/wires, left

3	3-pin
---	-------

Indicator

-	No indicator
P	Ready and switching status LED (only for PNP sensors)

Cable characteristics

-	No cable
U	Suitable for use with energy chains/robot applications

Cable length, left

-	No cable
0,3 ... 30L	0.3 ... 30 m

Cable identification

-	With inscription label holder
N	Without inscription label holder

Connection technology on right, controller side

LE	Open end
M8	Plug connector M8x1, A-coded, EN 61076-2-104
M12	Plug connector M12x1, A-coded, EN 61076-2-101

Cable outlet, right

-	None
G	Straight
W	Angled

Number of pins/wires, right

3	3-pin
4	4-pin

Cable length, right

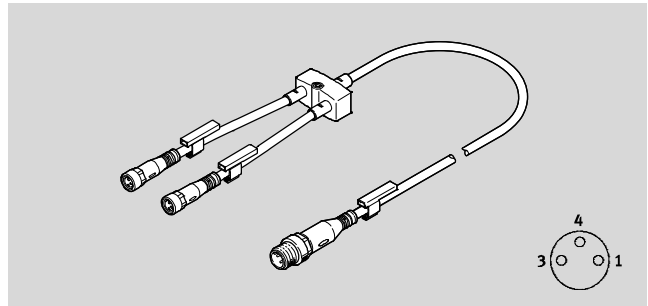
-	None
0,3 ... 30R	0.3 ... 30 m

Y-distributor, plug socket M8x1, to EN 61076-2-104, 3-pin

Technical data

Distributor NEDY-L2R1-V1-M8

- Dual distributor
- For connecting valves
- For connecting sensors
- With LED indicator for ready and switching status for connecting PNP sensors



General technical data	
Design	Y-distributor
Distributor type	2 to 1
Type of mounting	Via accessories, via through-hole for M2 screw
Cable identification	Via inscription label holder (optional)
Based on standard	EN 61076-2-101, EN 61076-2-104
Electrical connection 2	
Function	Field device side
Connection type	2x plug socket
Cable outlet	Angled, straight, rotatable
Design type	Round
Connection technology	M8x1, A-coded, to EN 61076-2-104
Number of pins/wires	3
Assigned pins/wires	3
Indicator	None
	Green LED and yellow LED, ready and switching status

Technical data – Electrical				
Electrical connection 2		2x plug socket M8x1	Rotatable cable outlet	Indicator P
Operating voltage range	[V DC]	0 ... 30	0 ... 30	10 ... 30
Surge resistance	[kV]	0.8	0.8	0.8
Acceptable current load at 40°C	[A]	3	0.5	3
Degree of contamination		3	3	3

Technical data – Cable		
Cable diameter	[mm]	4.5
Conductor nominal cross section	[mm ²]	0.25
Cable characteristics		Suitable for use with energy chains/robot applications
Cable test conditions		Resistance to bending to Festo standard, test conditions on request, energy chain: 5 million cycles, bending radius: 28 mm, torsional strength: > 300,000 cycles, ±270°/0.1 m
Minimum bending radius with freely moveable use	[mm]	45

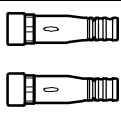
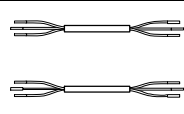
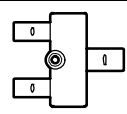
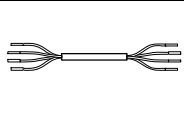
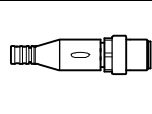
Y-distributor, plug socket M8x1, to EN 61076-2-104, 3-pin

Technical data

Technical data – Electrical connection 1			
Function	Controller side		
Connection type	Plug connector		Open end
Cable outlet	Straight, angled	Straight, angled	–
Design type	Round	Round	–
Connection technology	M8x1, A-coded	M12x1, A-coded	–
Number of pins/wires	4	4	4
Assigned pins/wires	4	4	4
Indicator	–	–	–
Based on standard	To EN 61076-2-104	To EN 61076-2-101	–

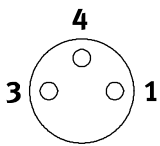
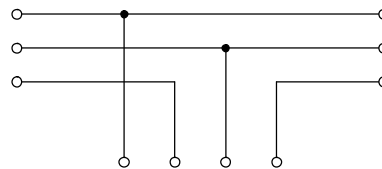
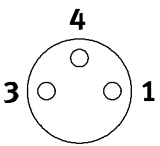
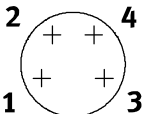
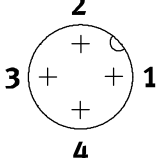
Materials	
Housing	PA, PC, TPE-U(PUR)
Housing colour	Black
Threaded sleeve	Nickel-plated brass
Seals	NBR
Pin contacts	Gold-plated copper alloy
Cable sheath	TPE-U(PUR)
Cable sheath colour	Grey
Note on materials	Free of copper and PTFE
	RoHS-compliant
	Free of halogen and phosphoric acid ester

Operating and environmental conditions		
Ambient temperature	[°C]	–25 ... +80
Note on ambient temperature	[°C]	–10 ... +40 with mounting via through-hole
Ambient temperature with flexible cable installation	[°C]	–20 ... +80
Storage temperature	[°C]	–25 ... +80
Degree of protection		IP65/IP68, IP69K

Product weight									
									
2x plug socket [g]		2x cable [g/m]		Distributor [g]		Cable [g/m]		Plug connector [g]	
M8x1	8	3-wire	47	With cable outlet	10	4-wire	26.5	M8x1	4.5
				With plug connector M12x1	17			M12x1, straight	12
				With plug connector M8x1	7			M12x1, angled	12.5
				With plug socket M8x1	8			Open end	0
<p>The weights of the individual components must be added together to determine the overall weight: plug socket + length x cable + distributor + length x cable + plug connector</p> <p>Example: NEDY-L2R1-V1-M8G3-U-3L-LE4-10R 8 g + 3x 47 g + 10 g + 10x 26.5 g + 0 g = 424 g</p>									

Y-distributor, plug socket M8x1, to EN 61076-2-104, 3-pin

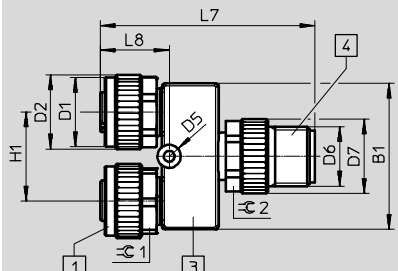
Technical data

Wiring allocation (plug socket/plug connector view)														
Connection no. 4	Pin	Wire colour ¹⁾	Wiring allocation	Wire colour ¹⁾	Pin	Connection no. 2								
	1	BN		BN	1									
	3	BU		BU	3									
	4	BK		BK	4									
			<table border="1"> <thead> <tr> <th>Wire colour¹⁾</th> <th>BN</th> <th>BK</th> <th>BU</th> <th>WH</th> </tr> </thead> <tbody> <tr> <td>Pin</td> <td>1</td> <td>4</td> <td>3</td> <td>2</td> </tr> </tbody> </table>	Wire colour ¹⁾	BN		BK	BU	WH	Pin	1	4	3	2
Wire colour ¹⁾	BN	BK	BU	WH										
Pin	1	4	3	2										
			Plug connector M8x1 											
			Plug connector M12x1 											

1) To IEC 757

Dimensions

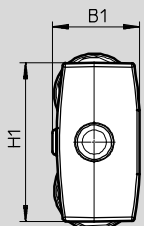
Y-distributor without cable



1 Plug socket on field device side
 3 Distributor
 4 Plug connector on controller side

Download CAD data → www.festo.com

Distributor body front view



Electrical connection, controller side	B1	D1	D2 ∅	D5 ∅	D6	D7 ∅	H1	L7	L8	⌀ 1	⌀ 2
Plug connector M8x1	21	M8	10	2.2	M8	10	12.2	31.8	10.2	A/F 9	A/F 9
Plug connector M12x1	29.6	M8	10	2.2	M12	15	18	39.5	10.2	A/F 9	A/F 13

Distributor body front view		B1	H1
Size 1:	<ul style="list-style-type: none"> Y-distributor without cable with plug connector M8x1 Y-distributor with cable on field device side and plug connector M8x1 Y-distributor with cable on controller side 	12	21
Size 2:	<ul style="list-style-type: none"> Y-distributor without cable with plug connector M12x1 Y-distributor with cable on field device side and plug connector M12x1 Y-distributor with cables on both sides 	16.2	29.6

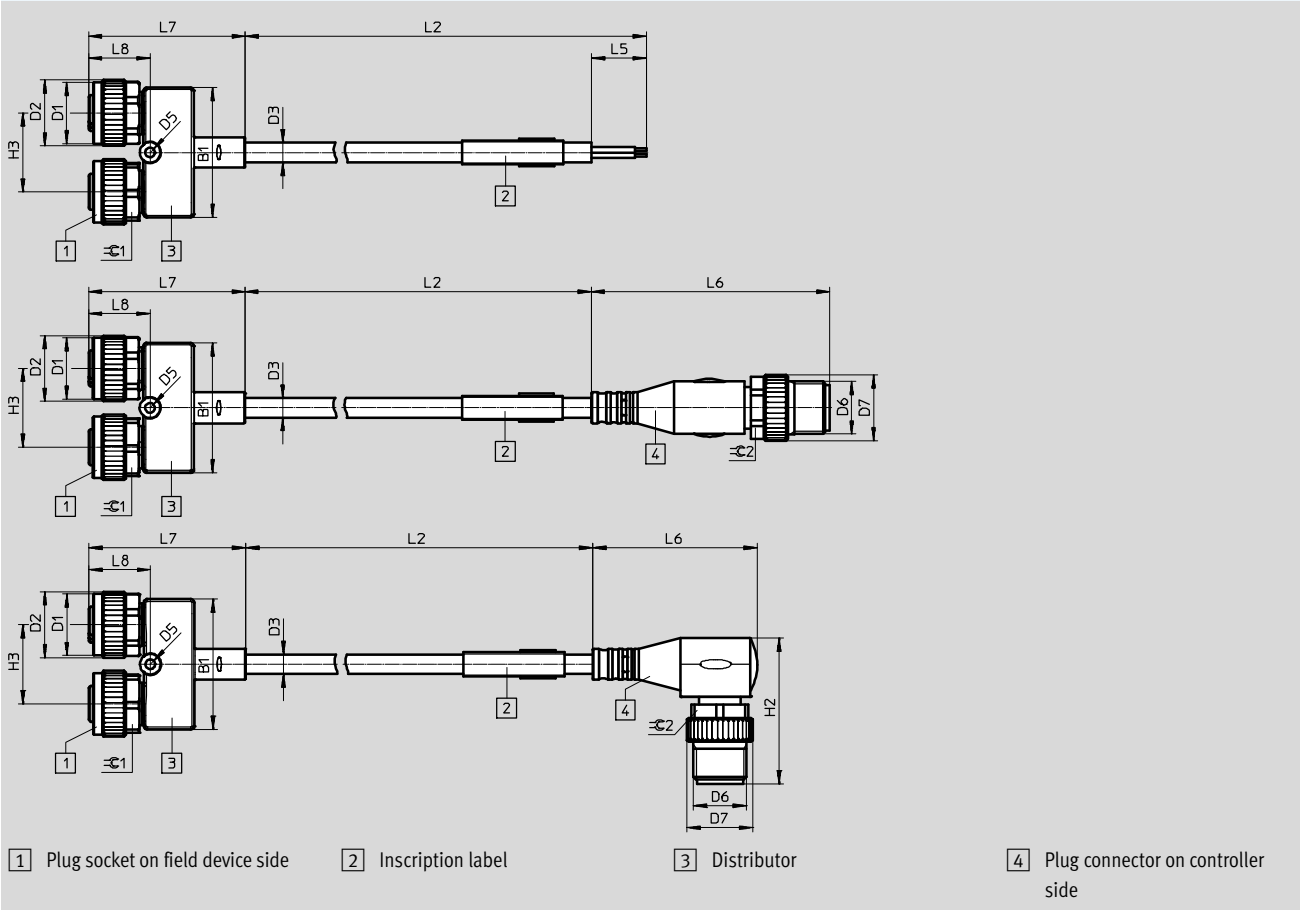
Y-distributor, plug socket M8x1, to EN 61076-2-104, 3-pin

Technical data

Dimensions

Download CAD data → www.festo.com

Y-distributor with cable on controller side

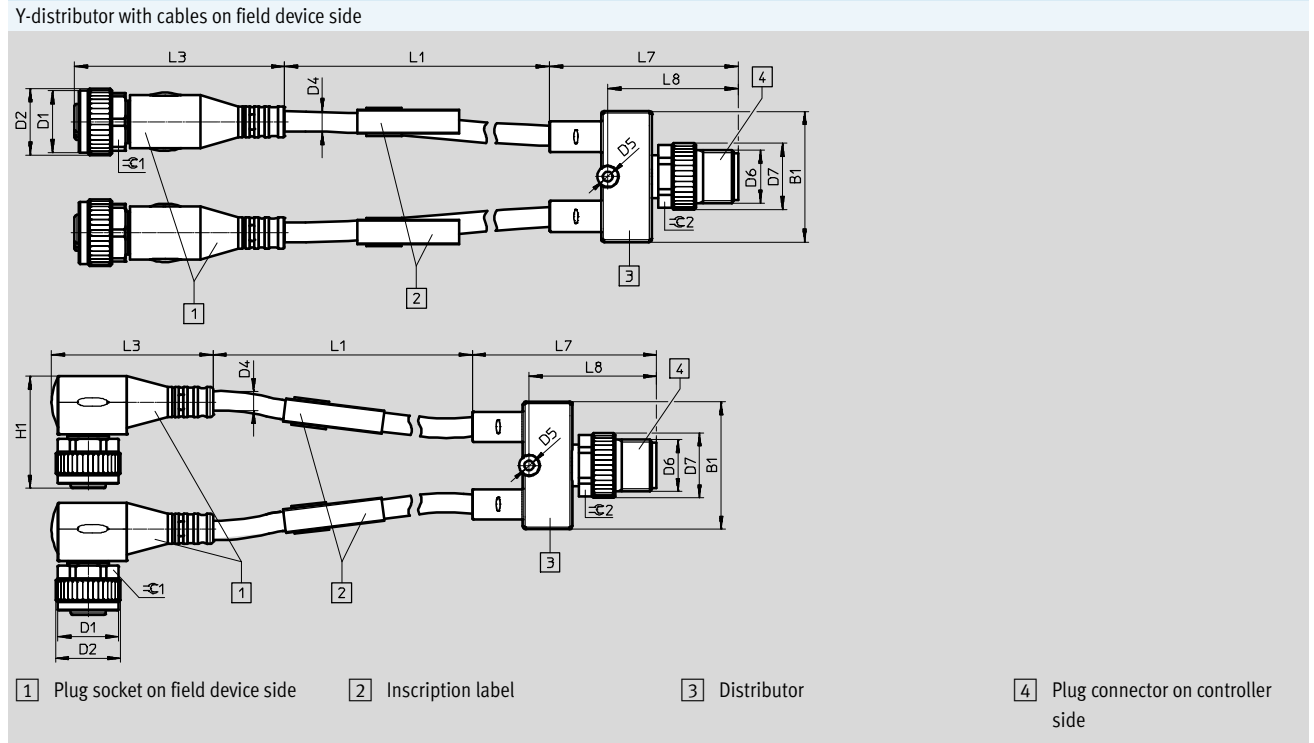


Electrical connection, controller side	B1	D1	D2	D3	D5	D6	D7	H2	H3	L2	L5	L6	L7	L8	∅ 1	∅ 2	
Open cable end	21	M8	10	4.5	2.2	–	–	–	12.2	300 ... 30,000	50	–	28.5	10.2	A/F 9	–	
Plug connector M8x1	Straight	21	M8	10	4.5	2.2	M8	10	–	12.2	300 ... 30,000	–	41.1	28.5	10.2	A/F 9	A/F 9
	Angled	21	M8	10	4.5	2.2	M8	10	24	12.2	300 ... 30,000	–	26.9	28.5	10.2	A/F 9	A/F 9
Plug connector M12x1	Straight	21	M8	10	4.5	2.2	M12	15	–	12.2	300 ... 30,000	–	54.5	28.5	10.2	A/F 9	A/F 13
	Angled	21	M8	10	4.5	2.2	M12	15	33.2	12.2	300 ... 30,000	–	37.5	28.5	10.2	A/F 9	A/F 13

Y-distributor, plug socket M8x1, to EN 61076-2-104, 3-pin

Technical data

Dimensions Download CAD data → www.festo.com



Electrical connection, controller side	B1	D1	D2	D4	D5	D6	D7	H1	L1	L3	L7	L8	≙1	≙2
Electrical connection, field device side, straight														
Plug connector M8x1	21	M8	10	4.5	2.2	M8	10	-	300 ... 30,000	34.6	35	21.6	A/F 9	A/F 9
Plug connector M12x1	29.6	M8	10	4.5	2.2	M12	15	-	300 ... 30,000	34.6	42.7	29.5	A/F 9	A/F 13
Electrical connection, field device side, angled														
Plug connector M8x1	21	M8	10	4.5	2.2	M8	10	17	300 ... 30,000	26.9	35	21.6	A/F 9	A/F 9
Plug connector M12x1	29.6	M8	10	4.5	2.2	M12	15	17	300 ... 30,000	26.9	42.7	29.5	A/F 9	A/F 13
Electrical connection, field device side, rotatable														
Plug connector M8x1	21	M8	10	4.5	2.2	M8	10	16.3	300 ... 30,000	20.9	35	21.6	A/F 9	A/F 9
Plug connector M12x1	29.6	M8	10	4.5	2.2	M12	15	16.3	300 ... 30,000	20.9	42.7	29.5	A/F 9	A/F 13

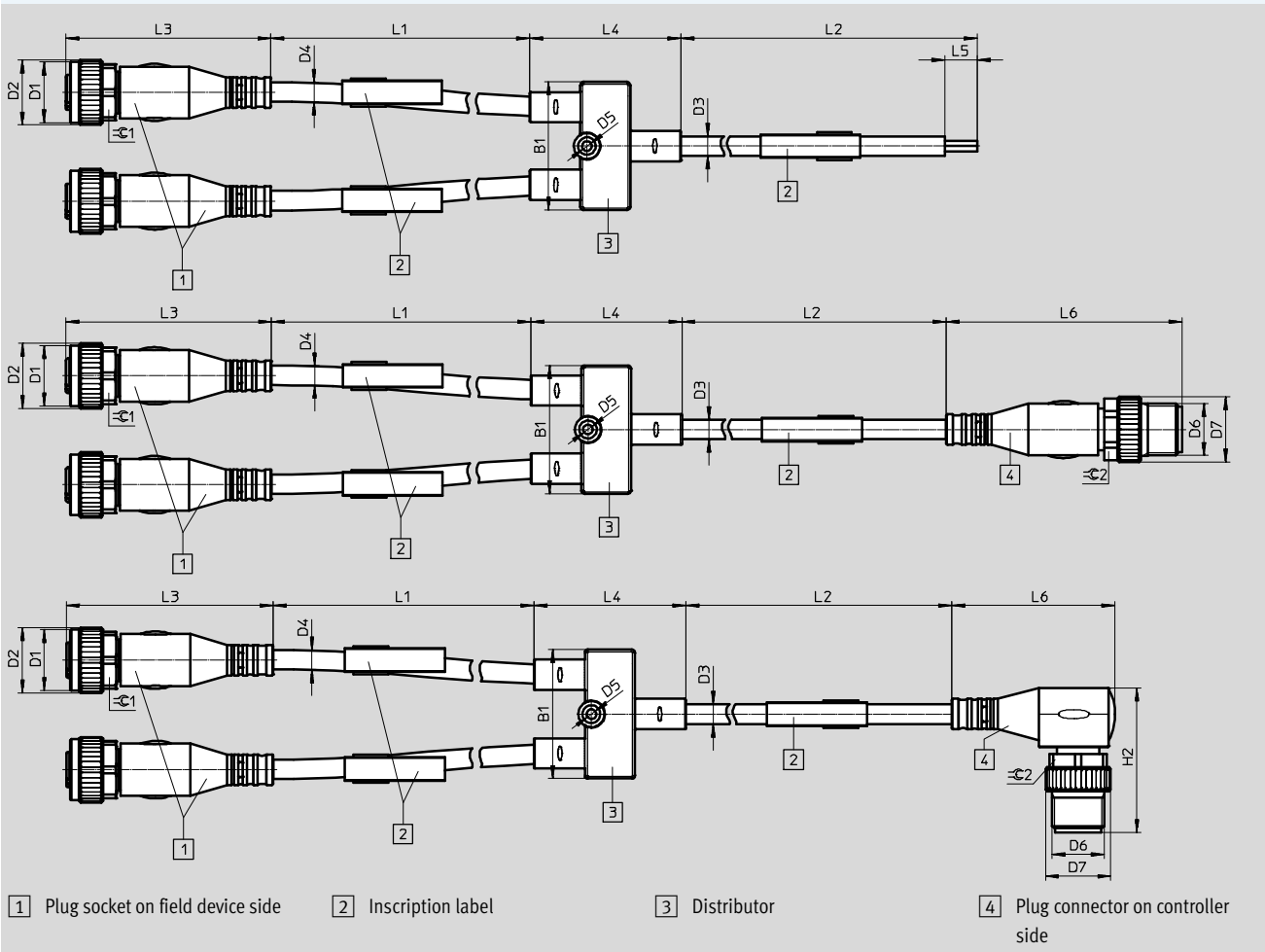
Y-distributor, plug socket M8x1, to EN 61076-2-104, 3-pin

Technical data

Dimensions

Download CAD data → www.festo.com

Y-distributor with cables on both sides



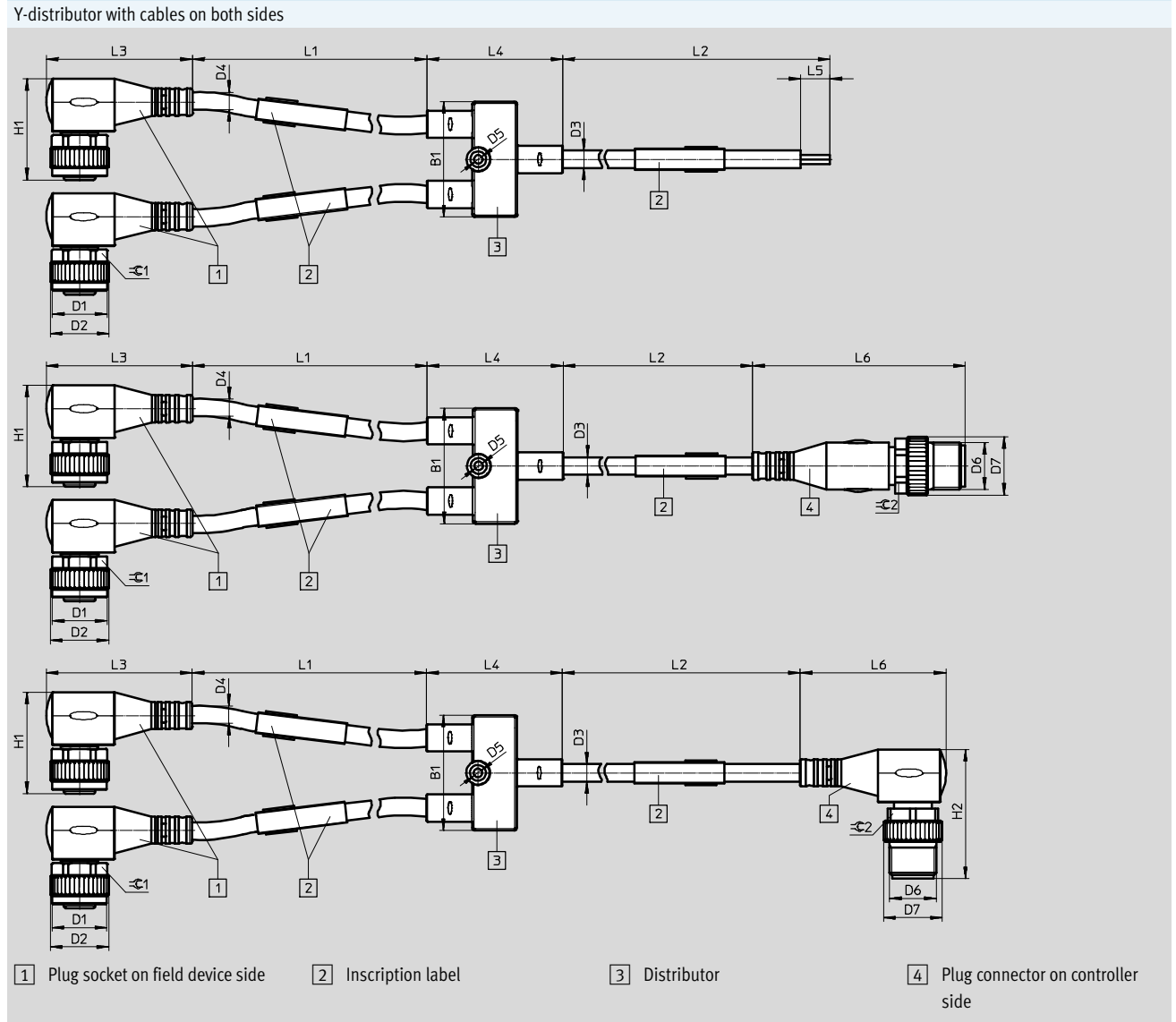
Electrical connection, controller side	B1	D1	D2	D3	D4	D5	D6	H2
Open cable end	29.6	M8	10	4.5	4.5	2.2	–	–
Plug connector M8x1	Straight	29.6	M8	10	4.5	2.2	M8	–
	Angled	29.6	M8	10	4.5	2.2	M8	24
Plug connector M12x1	Straight	29.6	M8	10	4.5	2.2	M12	–
	Angled	29.6	M8	10	4.5	2.2	M12	33.2

Electrical connection, controller side	L1	L2	L3	L4	L5	L6	∅1	∅2
Open cable end	(300 ... 30,000)-L2	(300 ... 30,000)-L1	34.6	34.9	50	–	A/F 9	–
Plug connector M8x1	Straight	(300 ... 30,000)-L2	(300 ... 30,000)-L1	34.6	34.9	–	41.1	A/F 9
	Angled	(300 ... 30,000)-L2	(300 ... 30,000)-L1	34.6	34.9	–	26.9	A/F 9
Plug connector M12x1	Straight	(300 ... 30,000)-L2	(300 ... 30,000)-L1	34.6	34.9	–	54.5	A/F 13
	Angled	(300 ... 30,000)-L2	(300 ... 30,000)-L1	34.6	34.9	–	37.5	A/F 13

Y-distributor, plug socket M8x1, to EN 61076-2-104, 3-pin

Technical data

Dimensions Download CAD data → www.festo.com



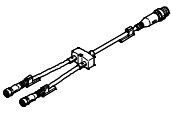



Electrical connection, controller side	B1	D1	D2	D3	D4	D5	D6	H1		H2	
								Cable outlet, left, angled	Cable outlet, left, rotatable		
Open cable end	29.6	M8	10	4.5	4.5	2.2	–	17	16.3	–	
Plug connector M8x1	Straight	29.6	M8	10	4.5	4.5	2.2	M8	17	16.3	–
	Angled	29.6	M8	10	4.5	4.5	2.2	M8	17	16.3	24
Plug connector M12x1	Straight	29.6	M8	10	4.5	4.5	2.2	M12	17	16.3	–
	Angled	29.6	M8	10	4.5	4.5	2.2	M12	17	16.3	33.2

Electrical connection, controller side	L1	L2	L3		L4	L5	L6	C1	C2	
			Cable outlet, left, angled	Cable outlet, left, rotatable						
Open cable end	(300 ... 30,000)-L2	(300 ... 30,000)-L1	26.9	20.9	34.9	50	–	A/F 9	–	
Plug connector M8x1	Straight	(300 ... 30,000)-L2	(300 ... 30,000)-L1	26.9	20.9	34.9	–	41.1	A/F 9	A/F 9
	Angled	(300 ... 30,000)-L2	(300 ... 30,000)-L1	26.9	20.9	34.9	–	26.9	A/F 9	A/F 9
Plug connector M12x1	Straight	(300 ... 30,000)-L2	(300 ... 30,000)-L1	26.9	20.9	34.9	–	54.5	A/F 9	A/F 13
	Angled	(300 ... 30,000)-L2	(300 ... 30,000)-L1	26.9	20.9	34.9	–	37.5	A/F 9	A/F 13

Y-distributor, plug socket M8x1, to EN 61076-2-104, 3-pin

Technical data

Ordering data						
	Field device side	Controller side		Weight [g]	Part No.	Type
	Cable length [m]	Electrical connection	Cable length [m]			
Y-distributor without cable						
	0	Plug connector, straight, M8x1	0	10.5	8005312	NEDY-L2R1-V1-M8G3-N-M8G4
		Plug connector, straight, M12x1		20	8005311	NEDY-L2R1-V1-M8G3-N-M12G4
Y-distributor with cable on controller side						
	0	Plug connector, straight, M8x1	2.5	79	8005303	NEDY-L2R1-V1-M8G3-U-M8G4-2.5R
			5	145	8005304	NEDY-L2R1-V1-M8G3-U-M8G4-5R
		Plug connector, straight, M12x1	2.5	86	8005301	NEDY-L2R1-V1-M8G3-U-M12G4-2.5R
			5	153	8005302	NEDY-L2R1-V1-M8G3-U-M12G4-5R
Y-distributor with cables on both sides						
	0.3	Plug connector, straight, M8x1	2.5	103	8035485	NEDY-L2R1-V1-M8G3-U-0.3L-M8G4-2.5R
			5	169	8035774	NEDY-L2R1-V1-M8G3-U-0.3L-M8G4-5R
		Plug connector, straight, M12x1	2.5	110	8032309	NEDY-L2R1-V1-M8G3-U-0.3L-M12G4-2.5R
			5	177	8035484	NEDY-L2R1-V1-M8G3-U-0.3L-M12G4-5R

Ordering data – Accessories				Part No.	Type
	Mounting for T-slot	<ul style="list-style-type: none"> For Y-distributor without cable with plug connector M8x1 For Y-distributor with cable on field device side and plug connector M8x1 For Y-distributor with cable on controller side 		8032868	NEAU-A-N8-1
		<ul style="list-style-type: none"> For Y-distributor without cable with plug connector M12x1 For Y-distributor with cable on field device side and plug connector M12x1 For Y-distributor with cables on both sides 		8032869	NEAU-A-N8-2

Y-distributor, plug socket M8x1, to EN 61076-2-104, 3-pin

Ordering data – Modular product system

Ordering table		Condi- tions	Code	Enter code
M	Module No.	8032867		
	Distributor	Sensor/actuator distributor	NEDY	NEDY
	Distributor type	2 to 1	-L2R1	-L2R1
	Wiring allocation	Standard variant (see circuit diagram, standard)	-V1	-V1
	Connection technology on left, field device side	Plug socket M8x1, A-coded, EN 61076-2-104	-M8	-M8
	Cable outlet, left	Straight	G	
		Rotatable	R	
		Angled	W	
	Number of pins/wires, left	3-pin	3	3
O	Indicator	None	1	
		Ready and switching status LED (only for PNP sensors)	2	P
	Cable characteristics	None		
		Suitable for use with energy chains/robot applications	3	-U
	Cable length, left [m]	None		
		0.3 ... 30	4	-...L
	Cable identification	With inscription label holder	3	
		Without inscription label holder		-N
M	Connection technology on right, controller side	Open end		-LE
		Plug connector M8x1, A-coded, EN 61076-2-104		-M8
		Plug connector M12x1, A-coded, EN 61076-2-101		-M12
O	Cable outlet, right	None		
		Straight	5	G
		Angled	5	W
M	Number of pins/wires, right	3-pin	6	3
		4-pin		4
O	Cable length, right [m]	None		
		0.3 ... 30	7	-...R

- 1** Not in combination with number of pins/wires, right 3
- 2 P** Not in combination with cable outlet, left G, R
- 3 -U** Only with cable length, left or cable length, right
- 4 -...L** The sum of cable length, left and cable length, right must not exceed 30 m
Mandatory specification in combination with cable outlet, left R or W
- 5 G, W** Not in combination with connection technology on right, controller side LE
- 6 3** Only with connection technology on right, LE
Not in combination with indicator P
- 7 -...R** The sum of cable length, left and cable length, right must not exceed 30 m
Mandatory specification in combination with cable outlet, right W
Mandatory specification in combination with connection technology on right, controller side LE

M Mandatory data
O Options

Transfer order code

Y-distributor, plug socket M8x1, to EN 61076-2-104, 4-pin

Type codes

NEDY - L2R1 - V1 - M8 - 4 - - - - - - - - - - - - - - - -

Function	
NEDY	Distributor

Distributor type	
L2R1	2 to 1

Wiring allocation	
V1	Standard variant

Connection technology on left, field device side	
M8	Plug socket M8x1, A-coded, EN 61076-2-104

Cable outlet, left	
G	Straight
W	Angled

Number of pin/wires, left	
4	4-pin

Indicator	
-	No indicator
L	Signal status LED (only for valves)

Cable characteristics	
U	Suitable for use with energy chains/robot applications

Cable length, left	
0,3 ... 30L	0.3 ... 30 m

Cable identification	
-	With inscription label holder
N	Without inscription label holder

Connection technology on right, controller side	
LE	Open end
M8	Plug connector M8x1, A-coded, EN 61076-2-104
M12	Plug connector M12x1, A-coded, EN 61076-2-101

Cable outlet, right	
-	None
G	Straight
W	Angled

Number of pins/wires, right	
3	3-pin
4	4-pin

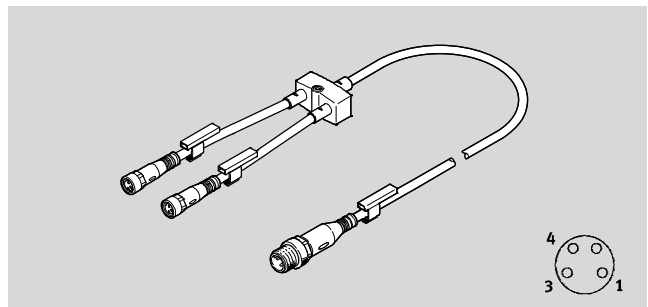
Cable length, right	
-	None
0,3 ... 30R	0.3 ... 30 m

Y-distributor, plug socket M8x1, to EN 61076-2-104, 4-pin

Technical data

Distributor NEDY-L2R1-V1-M8

- Dual distributor
- For connecting valves
- With LED indicator for signal status for connecting valves
- For connecting sensors



General technical data		
Indicator	None	Yellow LED, signal status
Design	Y-distributor	
Distributor type	2 to 1	
Type of mounting	Via accessories, via through-hole for M2 screw	
Cable identification	Via inscription label holder (optional)	
Based on standard	EN 61076-2-101, EN 61076-2-104	
Electrical connection 2		
Function	Field device side	
Connection type	2x plug socket	
Cable outlet	Angled, straight	
Design type	Round	
Connection technology	M8x1, A-coded, to EN 61076-2-104	
Number of pins/wires	4	
Assigned pins/wires	3	2

Technical data – Electrical		
Electrical connection 2	2x plug socket M8x1	Indicator L
Operating voltage range	[V DC]	0 ... 30
	[V AC]	0 ... 30
Surge resistance	[kV]	0.8
Acceptable current load at 40°C	[A]	3
Degree of contamination	3	3

Technical data – Cable		
Electrical connection 2	2x plug socket M8x1	Indicator L
Cable diameter, controller side	[mm]	4.5
Cable diameter, field device side	[mm]	3.3
Conductor nominal cross section	[mm ²]	0.25
Cable characteristics	Suitable for use with energy chains/robot applications	
Note on cable characteristics	–	Standard for field device side
Minimum bending radius with freely moveable use	[mm]	45

Technical data – Cable test conditions		
Cable characteristics	Standard	Suitable for use with energy chains/robot applications
Resistance to bending	To Festo standard	To Festo standard
Test conditions	On request	On request
Energy chain	1.5 million cycles	5 million cycles
Bending radius	[mm]	75
Torsional strength	–	> 300,000 cycles, ±270°/0.1 m

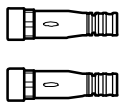
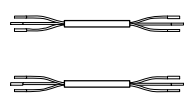
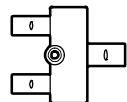
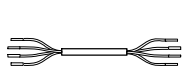
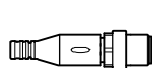
Y-distributor, plug socket M8x1, to EN 61076-2-104, 4-pin

Technical data

Technical data – Electrical connection 1				
Function	Controller side			
Connection type	Plug connector		Open end	
Cable outlet	Straight, angled	Straight, angled	–	–
Design type	Round	Round	–	–
Connection technology	M8x1, A-coded	M12x1, A-coded	–	–
Number of pins/wires	4	4	3	4
Assigned pins/wires	4	4	3	4
Indicator	–	–	–	–
Based on standard	To EN 61076-2-104	To EN 61076-2-101	–	–

Materials	
Housing	PA, PC, TPE-U(PUR)
Housing colour	Black
Threaded sleeve	Nickel-plated brass
Seals	NBR
Pin contacts	Gold-plated copper alloy
Cable sheath	TPE-U(PUR)
Cable sheath colour	Grey
Note on materials	Free of copper and PTFE
	RoHS-compliant
	Free of halogen and phosphoric acid ester

Operating and environmental conditions		
Ambient temperature	[°C]	–25 ... +80
Note on ambient temperature	[°C]	–10 ... +40 with mounting via through-hole
Ambient temperature with flexible cable installation	[°C]	–20 ... +80
Storage temperature	[°C]	–25 ... +80
Degree of protection		IP65/IP68, IP69K

Product weight									
									
2x plug socket [g]		2x cable [g/m]		Distributor [g]		Cable [g/m]		Plug connector [g]	
M8x1	8	2-wire	31	With cable outlet	10	3-wire	23.5	M8x1	4.5
Plug socket M8x1 with LED	7	3-wire	47	With plug connector M12x1	17	4-wire	26.5	M12x1, straight	12
				With plug connector M8x1	7			M12x1, angled	12.5
								Open end	0
<p>The weights of the individual components must be added together to determine the overall weight: plug socket + length x cable + distributor + length x cable + plug connector</p> <p>Example: NEDY-L2R1-V1-M8G4-U-3L-LE4-10R 8 g + 3x 47 g + 10 g + 10x 26.5 g + 0 g = 424 g</p>									

Y-distributor, plug socket M8x1, to EN 61076-2-104, 4-pin

Technical data

Wiring allocation without signal status display (plug socket/plug connector view)							
Connection no. 4	Pin	Wire colour ¹⁾	Wiring allocation	Wire colour ¹⁾	Pin	Connection no. 2	
	1	BN		BN	1		
	3	BU		BU	3		
	4	BK		BK	4		
			Wire colour ¹⁾	BN BK BU WH			
			Pin	1 4 3 2			
Plug connector M8x1							
Plug connector M12x1							

1) To IEC 757

Wiring allocation with signal status display (plug socket/plug connector view)							
Connection no. 4	Pin	Wire colour ¹⁾	Wiring allocation	Wire colour ¹⁾	Pin	Connection no. 2	
	3	BU		BU	3		
	4	BN		BN	4		
				Wire colour ¹⁾	- BK BU BN		
			Pin	- 4 3 2			
	Plug connector M8x1						
Plug connector M12x1							

1) To IEC 757

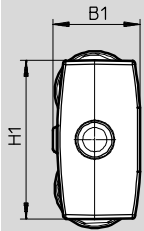
Y-distributor, plug socket M8x1, to EN 61076-2-104, 4-pin

Technical data

Dimensions

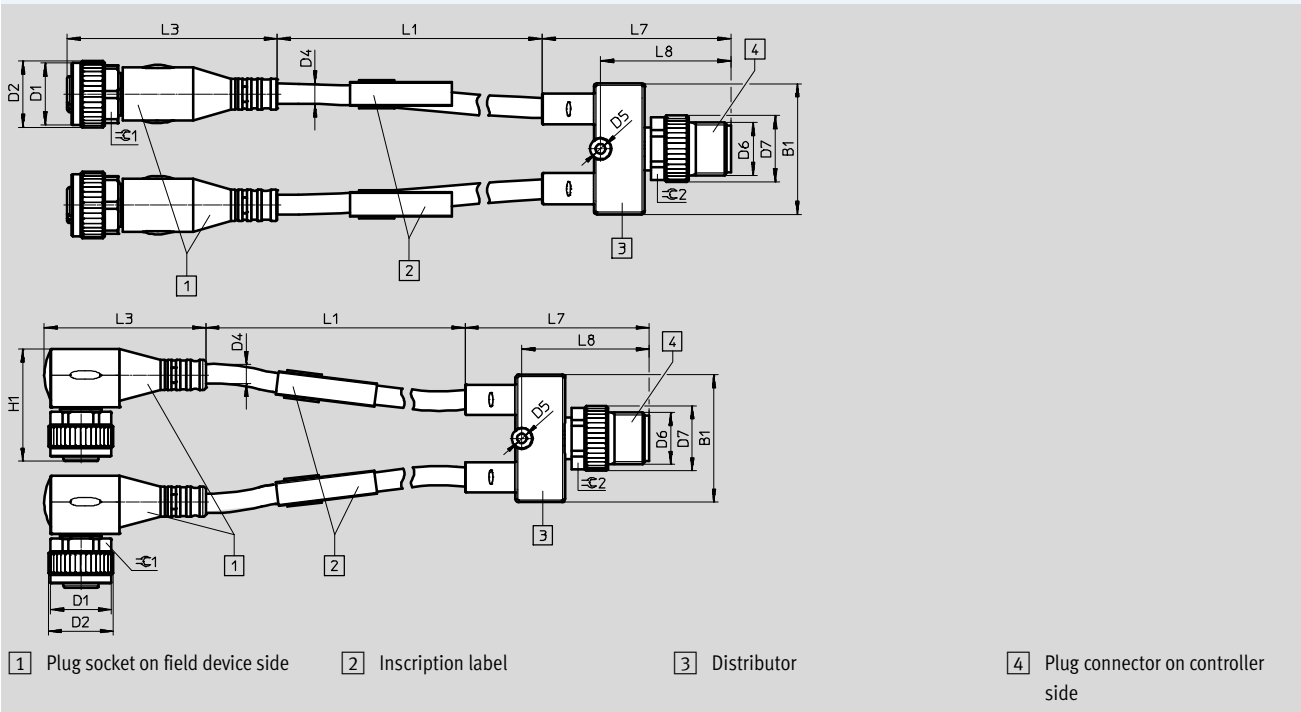
Download CAD data → www.festo.com

Distributor body front view



Distributor body front view		B1	H1
Size 1:	<ul style="list-style-type: none"> Y-distributor with cables on field device side and plug connector M8x1 	12	21
Size 2:	<ul style="list-style-type: none"> Y-distributor with cables on field device side and plug connector M12x1 Y-distributor with cables on both sides 	16.2	29.6

Y-distributor with cables on field device side

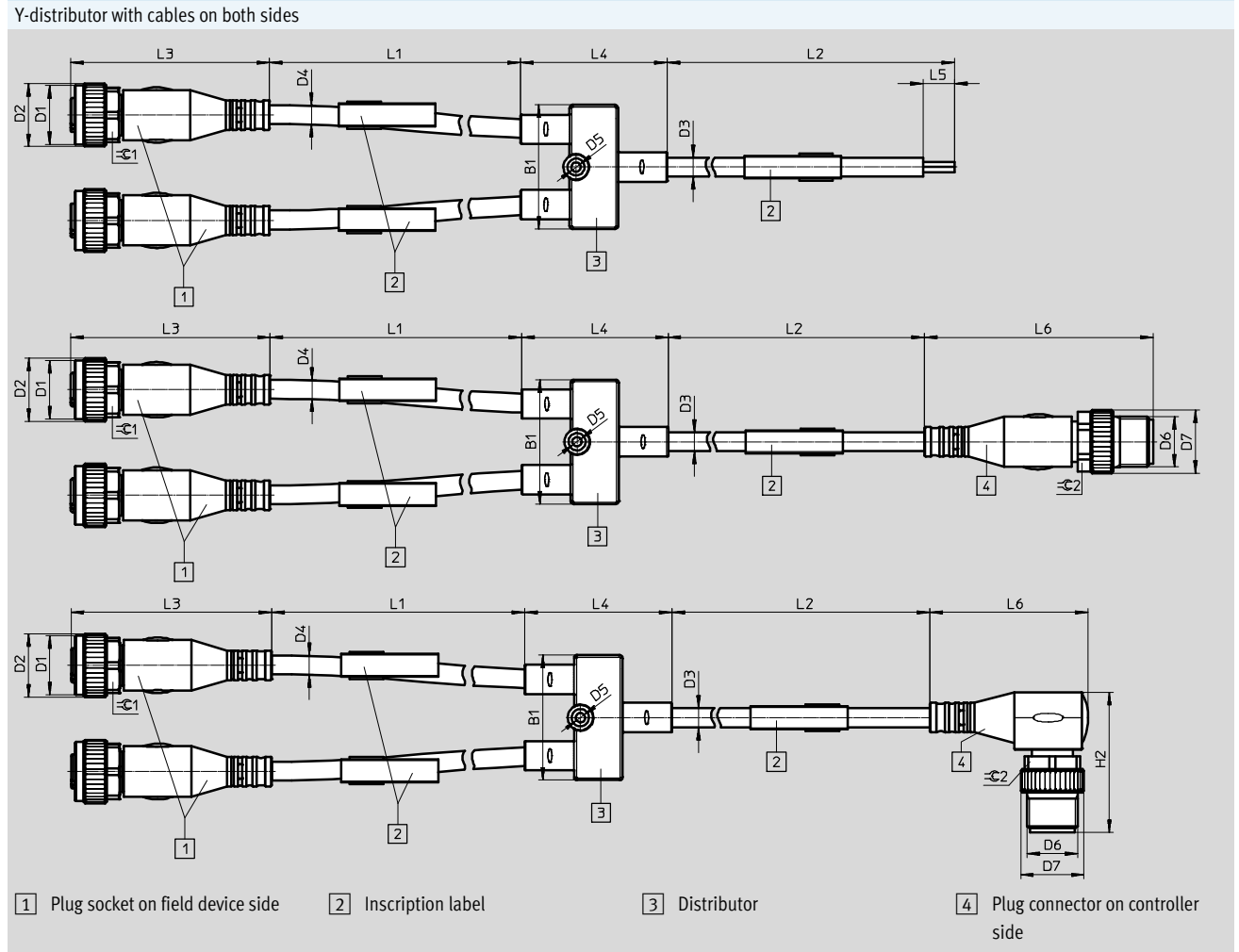


Electrical connection, controller side	B1	D1	D2	D4	D5	D6	D7	H1	L1	L3	L7	L8	⊕1	⊖2
Electrical connection on field device side, straight, without signal status display														
Plug connector M8x1	21	M8	10	4.5	2.2	M8	10	–	300 ... 30,000	34.6	35	21.6	A/F 9	A/F 9
Plug connector M12x1	29.6	M8	10	4.5	2.2	M12	15	–	300 ... 30,000	34.6	42.7	29.5	A/F 9	A/F 13
Electrical connection on field device side, straight, with signal status display														
Plug connector M8x1	21	M8	10	3.3	2.2	M8	10	–	300 ... 30,000	34.6	35	21.6	A/F 9	A/F 9
Plug connector M12x1	29.6	M8	10	3.3	2.2	M12	15	–	300 ... 30,000	34.6	42.7	29.5	A/F 9	A/F 13
Electrical connection on field device side, angled, without signal status display														
Plug connector M8x1	21	M8	10	4.5	2.2	M8	10	17	300 ... 30,000	26.9	35	21.6	A/F 9	A/F 9
Plug connector M12x1	29.6	M8	10	4.5	2.2	M12	15	17	300 ... 30,000	26.9	42.7	29.5	A/F 9	A/F 13
Electrical connection on field device side, angled, with signal status display														
Plug connector M8x1	21	M8	10	3.3	2.2	M8	10	17	300 ... 30,000	26.9	35	21.6	A/F 9	A/F 9
Plug connector M12x1	29.6	M8	10	3.3	2.2	M12	15	17	300 ... 30,000	26.9	42.7	29.5	A/F 9	A/F 13

Y-distributor, plug socket M8x1, to EN 61076-2-104, 4-pin

Technical data

Dimensions Download CAD data → www.festo.com



Electrical connection, controller side	B1	D1	D2 ∅	D3 ∅	D4 ∅		D5 ∅	D6	H2
					Without LED	With LED			
Open cable end	29.6	M8	10	4.5	4.5	3.3	2.2	-	-
Plug connector M8x1	29.6	M8	10	4.5	4.5	3.3	2.2	M8	-
									Angled
Plug connector M12x1	29.6	M8	10	4.5	4.5	3.3	2.2	M12	-
									Angled

Electrical connection, controller side	L1	L2	L3	L4	L5	L6	⌀1	⌀2
Open cable end	(300 ... 30,000)-L2	(300 ... 30,000)-L1	34.6	34.9	50	-	A/F 9	-
Plug connector M8x1	(300 ... 30,000)-L2	(300 ... 30,000)-L1	34.6	34.9	-	41.1	A/F 9	A/F 9
								Angled
Plug connector M12x1	(300 ... 30,000)-L2	(300 ... 30,000)-L1	34.6	34.9	-	54.5	A/F 9	A/F 13
								Angled

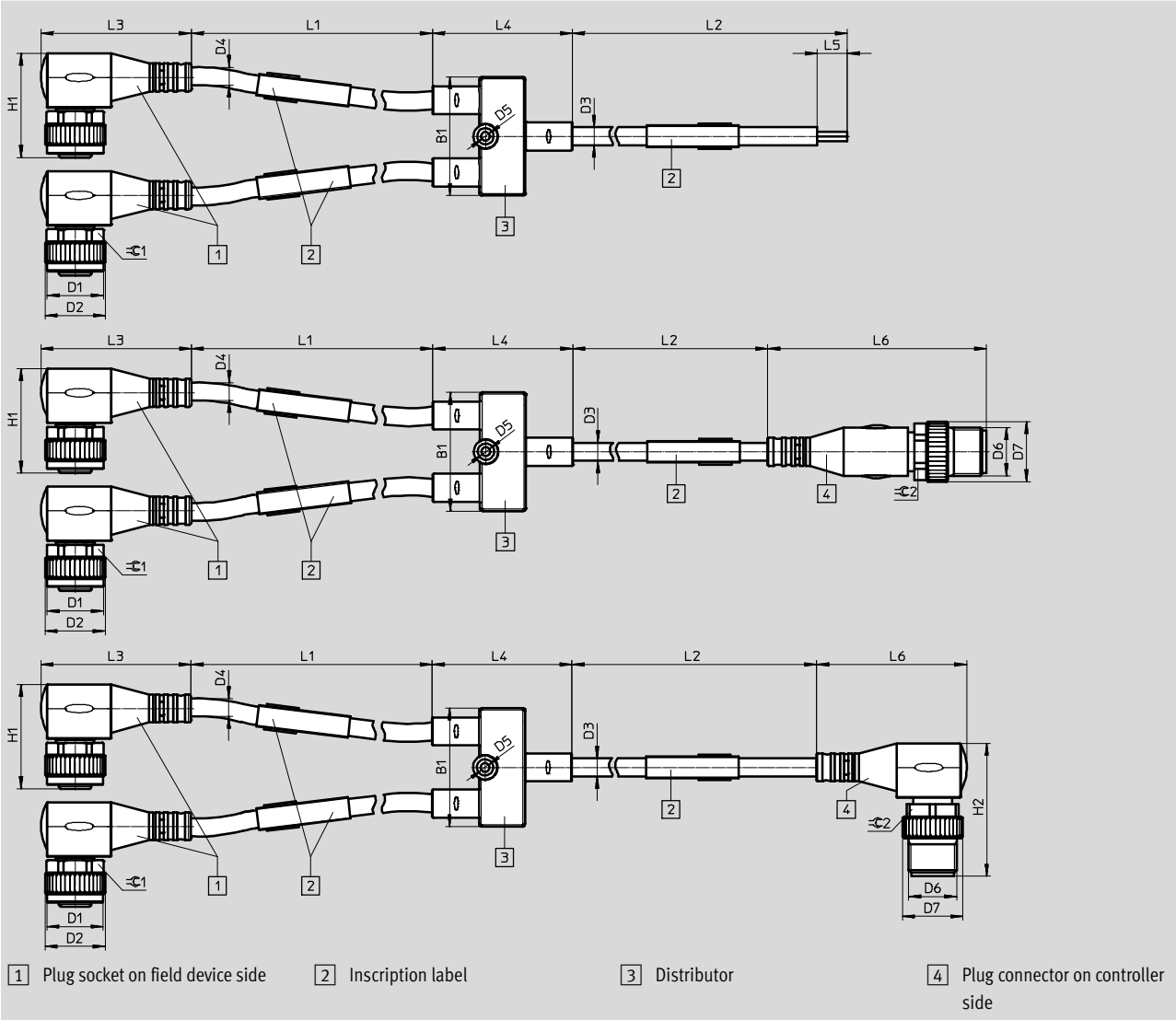
Y-distributor, plug socket M8x1, to EN 61076-2-104, 4-pin

Technical data

Dimensions

Download CAD data → www.festo.com

Y-distributor with cables on both sides




Electrical connection, controller side	B1	D1	D2 ∅	D3 ∅	D4 ∅		D5 ∅	D6	H1	H2	
					Without LED	With LED					
Open cable end	29.6	M8	10	4.5	4.5	3.3	2.2	–	17	–	
Plug connector M8x1	Straight	29.6	M8	10	4.5	4.5	3.3	2.2	M8	17	–
	Angled	29.6	M8	10	4.5	4.5	3.3	2.2	M8	17	24
Plug connector M12x1	Straight	29.6	M8	10	4.5	4.5	3.3	2.2	M12	17	–
	Angled	29.6	M8	10	4.5	4.5	3.3	2.2	M12	17	33.2

Electrical connection, controller side	L1	L2	L3	L4	L5	L6	∅1	∅2
Open cable end	(300 ... 30,000)-L2	(300 ... 30,000)-L1	26.9	34.9	50	–	A/F 9	–
Plug connector M8x1	Straight	(300 ... 30,000)-L2	(300 ... 30,000)-L1	26.9	34.9	–	41.1	A/F 9
	Angled	(300 ... 30,000)-L2	(300 ... 30,000)-L1	26.9	34.9	–	26.9	A/F 9
Plug connector M12x1	Straight	(300 ... 30,000)-L2	(300 ... 30,000)-L1	26.9	34.9	–	54.5	A/F 9
	Angled	(300 ... 30,000)-L2	(300 ... 30,000)-L1	26.9	34.9	–	37.5	A/F 9

Y-distributor, plug socket M8x1, to EN 61076-2-104, 4-pin

FESTO

Technical data

Ordering data – Accessories			Part No.	Type
	Mounting for T-slot	• For Y-distributor with cables on field device side and plug connector M8x1	8032868	NEAU-A-N8-1
		• For Y-distributor with cables on field device side and plug connector M12x1	8032869	NEAU-A-N8-2
		• For Y-distributor with cables on both sides		

Y-distributor, plug socket M8x1, 4-pin

Ordering data – Modular product system

Ordering table		Condi- tions	Code	Enter code
M	Module No.	8032867		
	Distributor	Sensor/actuator distributor	NEDY	NEDY
	Distributor type	2 to 1	-L2R1	-L2R1
	Wiring allocation	Standard variant (see circuit diagram, standard)	-V1	-V1
	Connection technology on left, field device side	Plug socket M8x1, A-coded, EN 61076-2-104	-M8	-M8
	Cable outlet, left	Straight	G	
		Angled	W	
	Number of pins/wires, left	4-pin	4	4
O	Indicator	None	1	
		Signal status LED (only for valves)	L	
M	Cable characteristics	Suitable for use with energy chains/robot applications	-U	-U
	Cable length, left [m]	0.3 ... 30	2	-...L
O	Cable identification	With inscription label holder		
		Without inscription label holder	-N	
M	Connection technology on right, controller side	Open end	-LE	
		Plug connector M8x1, A-coded, EN 61076-2-104	-M8	
		Plug connector M12x1, A-coded, EN 61076-2-101	-M12	
O	Cable outlet, right	None		
		Straight	3	G
		Angled	3	W
M	Number of pins/wires, right	3-pin	4	3
		4-pin		4
O	Cable length, right [m]	None		
		0.3 ... 30	5	-...R

- 1** Not in combination with number of pins/wires, right 3
- 2** -...L The sum of cable length, left and cable length, right must not exceed 30 m
- 3** **G, W** Not in combination with connection technology on right, controller side LE
- 4** **3** Only with connection technology on right LE
- 5** -...R The sum of cable length, left and cable length, right must not exceed 30 m
Mandatory specification in combination with cable outlet, right W
Mandatory specification in combination with connection technology on right, controller side LE

- M** Mandatory data
- O** Options

Transfer order code

NEDY - **L2R1** - **V1** - **M8** **4** - **U** - - -

Y-distributor, plug socket M12x1, to EN 61076-2-101, 5-pin

Type codes

NEDY - L2R1 - V1 - M12 5 - - - - - - - - - -

Function

NEDY	Distributor
------	-------------

Distributor type

L2R1	2 to 1
------	--------

Wiring allocation

V1	Standard variant
----	------------------

Connection technology on left, field device side

M12	Plug socket M12x1, A-coded, EN 61076-2-101
-----	--

Cable outlet, left

G	Straight
W	Angled

Number of pins/wires, left

5	5-pin
---	-------

Indicator

-	No indicator
P	Ready and switching status LED (only for PNP sensors)

Cable characteristics

-	No cable
U	Suitable for use with energy chains/robot applications

Cable length, left

-	No cable
0,3 ... 30L	0.3 ... 30 m

Cable identification

-	With inscription label holder
N	Without inscription label holder

Connection technology on right, controller side

LE	Open end
M8	Plug connector M8x1, A-coded, EN 61076-2-104
M12	Plug connector M12x1, A-coded, EN 61076-2-101

Cable outlet, right

-	None
G	Straight
W	Angled

Number of pins/wires, right

4	4-pin
---	-------

Cable length, right

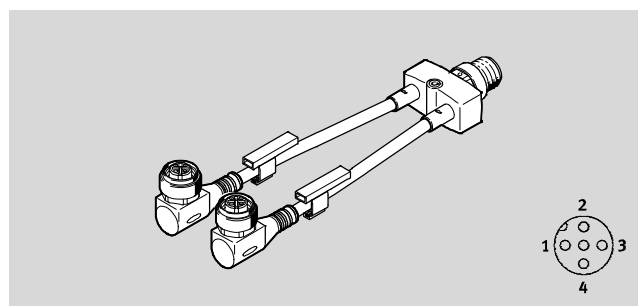
-	None
0,3 ... 30R	0.3 ... 30 m

Y-distributor, plug socket M12x1, to EN 61076-2-101, 5-pin

Technical data

Distributor NEDY-L2R1-V1-M12

- Dual distributor
- For connecting valves
- For connecting sensors
- With LED indicator for ready and switching status for connecting PNP sensors



General technical data		
Indicator	None	Yellow LED, ready and switching status
Design	Y-distributor	
Distributor type	2 to 1	
Type of mounting	Via accessories, via through-hole for M2 screw	
Cable identification	Via inscription label holder (optional)	
Based on standard	EN 61076-2-101, EN 61076-2-104	
Electrical connection 2		
Function	Field device side	
Connection type	2x plug socket	
Cable outlet	Angled, straight	Angled
Design type	Round	
Connection technology	M12x1, A-coded, to EN 61076-2-101	
Number of pins/wires	5	
Assigned pins/wires	4	3

	Electrical connection 1			Electrical connection 2	
	Plug connector M12x1	Plug connector M8x1	Open end	No indicator	Indicator P
Operating voltage range [V DC]	0 ... 30	0 ... 30	0 ... 30	0 ... 30	10 ... 30
Surge resistance [kV]	0.8	0.8	0.8	0.8	0.8
Acceptable current load at 40°C [A]	4	3	4	4	4
Degree of contamination	3	3	3	3	3

Technical data – Cable	
Cable diameter, controller side [mm]	4.5
Cable diameter, field device side [mm]	4.5
Conductor nominal cross section [mm ²]	0.25
Cable characteristics	Suitable for use with energy chains/robot applications
Cable test conditions	Resistance to bending to Festo standard, test conditions on request, energy chain: 5 million cycles, bending radius: 28 mm, torsional strength: > 300,000 cycles, ±270°/0.1 m
Minimum bending radius with freely moveable use [mm]	45

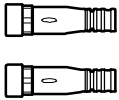
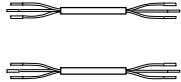
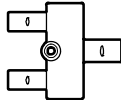


Y-distributor, plug socket M12x1, to EN 61076-2-101, 5-pin

Technical data

Technical data – Electrical connection 1			
Function	Controller side		
Connection type	Plug connector		Open end
Cable outlet	Straight, angled	Straight, angled	–
Design type	Round	Round	–
Connection technology	M8x1, A-coded	M12x1, A-coded	–
Number of pins/wires	4	4	4
Assigned pins/wires	4	4	4
Indicator	–	–	–
Based on standard	To EN 61076-2-104	To EN 61076-2-101	–

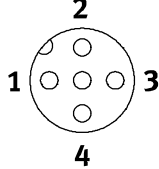
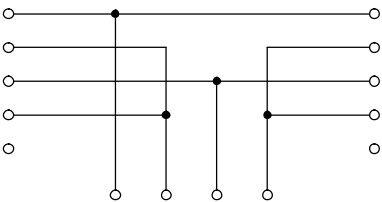
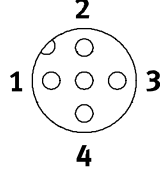
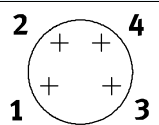
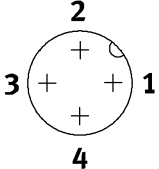
Materials	
Housing	PA, TPE-U(PUR)
Housing colour	Black
Threaded sleeve	Nickel-plated brass
Seals	NBR
Pin contacts	Gold-plated copper alloy
Cable sheath	TPE-U(PUR)
Cable sheath colour	Grey
Note on materials	Free of copper and PTFE
	RoHS-compliant
	Free of halogen and phosphoric acid ester

Operating and environmental conditions		
Ambient temperature	[°C]	–25 ... +80
Note on ambient temperature	[°C]	–10 ... +40 with mounting via through-hole temperature
Ambient temperature with flexible cable installation	[°C]	–20 ... +80
Storage temperature	[°C]	–25 ... +80
Degree of protection		IP65/IP68, IP69K

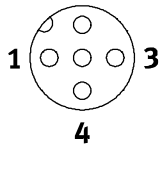
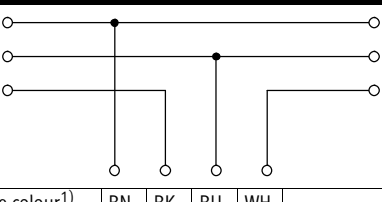
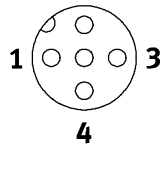
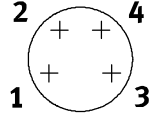
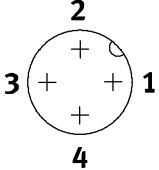
Product weight									
									
2x plug socket [g]		2x cable [g/m]		Distributor [g]		Cable [g/m]		Plug connector [g]	
M12x1, straight	18	3-wire	47	With cable outlet	10	4-wire	26.5	M8x1	4.5
M12x1, angled	20	4-wire	53	With plug connector M12x1	17			M12x1, straight	12
				With plug socket M12x1	19			M12x1, angled	12.5
				With plug connector M8x1	7			Open end	0
<p>The weights of the individual components must be added together to determine the overall weight: plug socket + length x cable + distributor + length x cable + plug connector</p> <p>Example: NEDY-L2R1-V1-M12G5-U-3L-LE4-10R 18 g + 3x 53 g + 10 g + 10x 26.5 g + 0 g = 452 g</p>									

Y-distributor, plug socket M12x1, to EN 61076-2-101, 5-pin

Technical data

Wiring allocation without display (plug socket/plug connector view)						
Connection no. 4	Pin	Wire colour ¹⁾	Wiring allocation	Wire colour ¹⁾	Pin	Connection no. 2
	1	BN		BN	1	
	2	WH		WH	2	
	3	BU		BU	3	
	4	BK		BK	4	
	5	-		-	5	
		Wire colour ¹⁾	BN BK BU WH			
		Pin	1 4 3 2			
		Plug connector M8x1				
						
		Plug connector M12x1				
						

1) To IEC 757

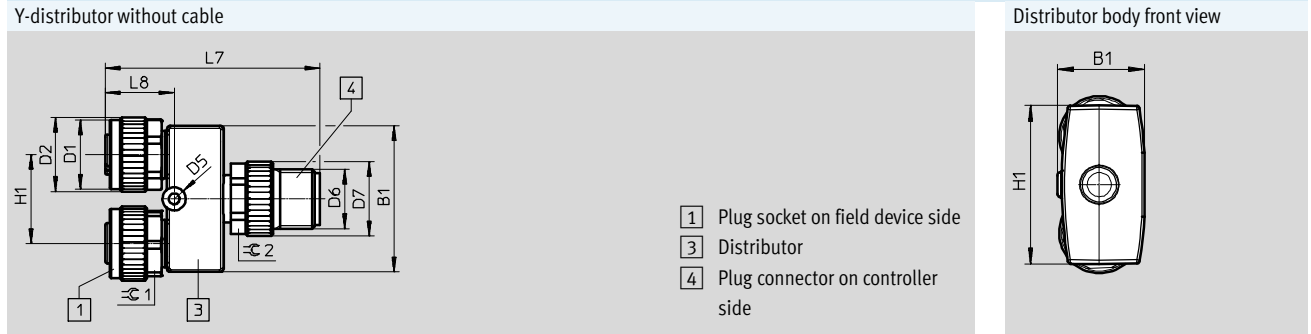
Wiring allocation with display (plug socket/plug connector view)						
Connection no. 4	Pin	Wire colour ¹⁾	Wiring allocation	Wire colour ¹⁾	Pin	Connection no. 2
	1	BN		BN	1	
	3	BU		BU	3	
	4	BK		BK	4	
	2	-		-	2	
	5	-		-	5	
		Wire colour ¹⁾	BN BK BU WH			
		Pin	1 4 3 2			
		Plug connector M8x1				
						
		Plug connector M12x1				
						

1) To IEC 757

Y-distributor, plug socket M12x1, to EN 61076-2-101, 5-pin

Technical data

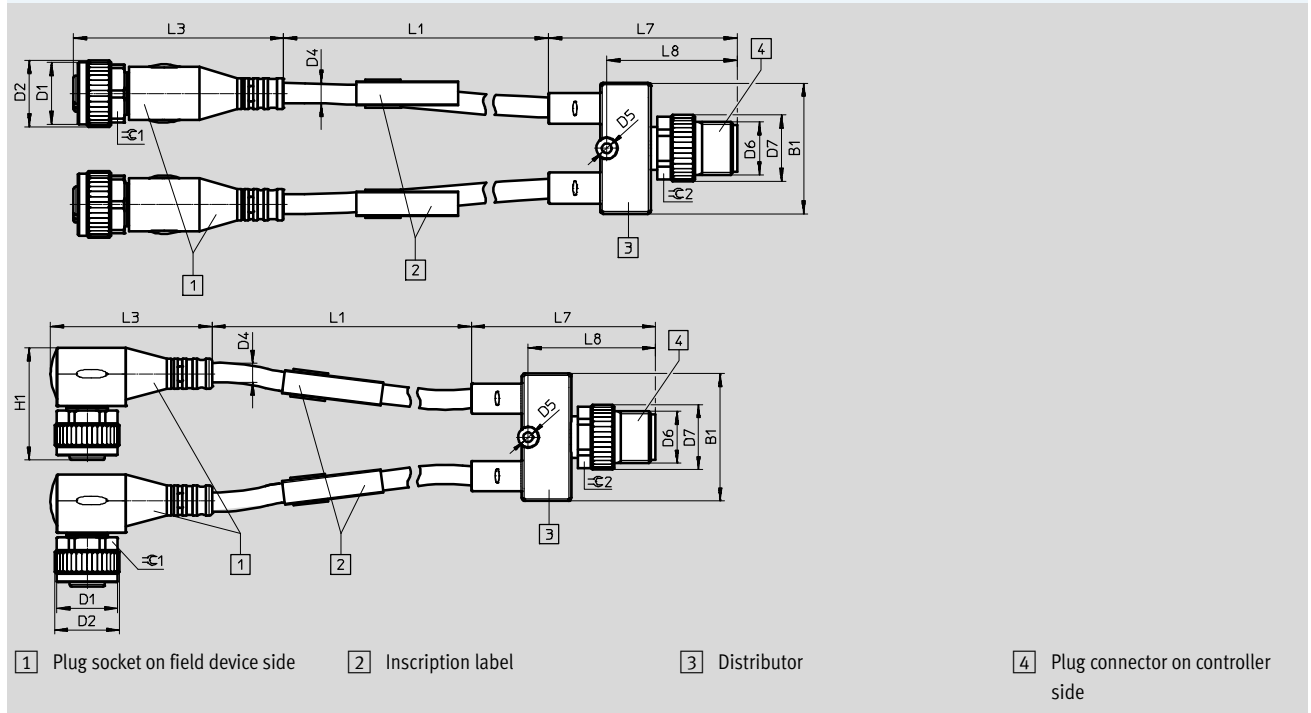
Dimensions Download CAD data → www.festo.com



Electrical connection, controller side	B1	D1	D2	D5	D6	D7	H1	L7	L8	∅ 1	∅ 2
Plug connector M12x1	29.6	M12	15	2.2	M12	15	18	43.5	14	A/F 13	A/F 13

Distributor body front view	B1	H1
Size 1: • Y-distributor with cables on field device side and plug connector M8x1	12	21
Size 2: • Y-distributor without cable • Y-distributor with cables on field device side and plug connector M12x1 • Y-distributor with cables on both sides	16.2	29.6

Y-distributor with cables on field device side



Electrical connection, controller side	B1	D1	D2	D4	D5	D6	D7	H1	L1	L3	L7	L8	∅ 1	∅ 2
Electrical connection, field device side, straight														
Plug connector M12x1	29.6	M12	15	4.5	2.2	M12	15	-	300 ... 30,000	47.5	42.7	29.5	A/F 13	A/F 13
Electrical connection, field device side, angled														
Plug connector M12x1	29.6	M12	15	4.5	2.2	M12	15	26	300 ... 30,000	37.5	42.7	29.5	A/F 13	A/F 13

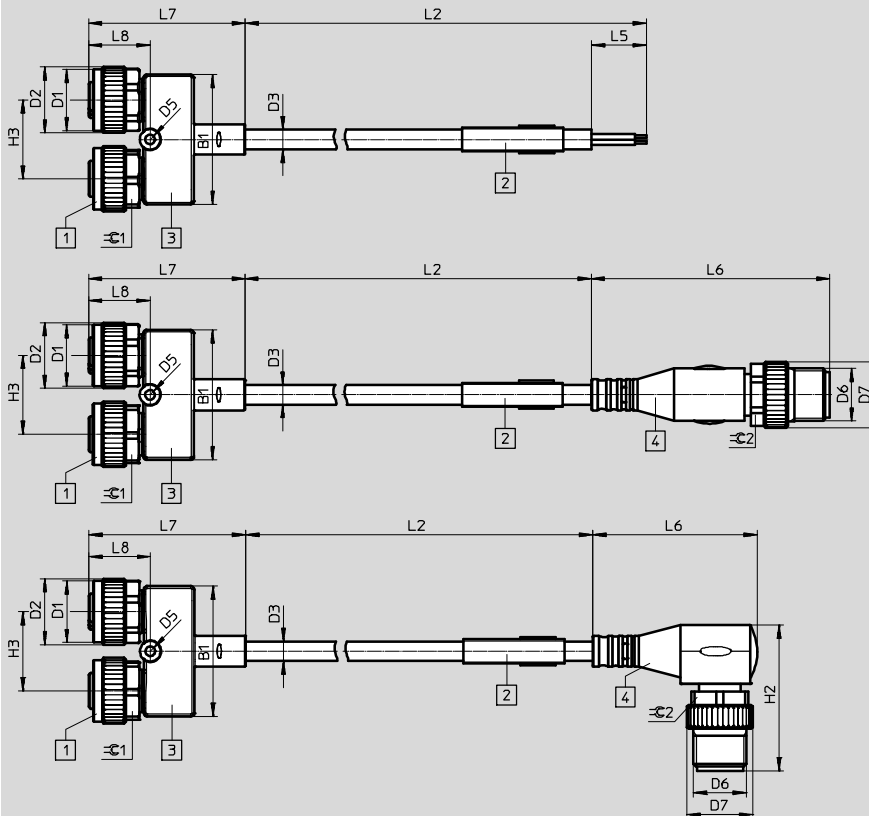
Y-distributor, plug socket M12x1, to EN 61076-2-101, 5-pin

Technical data

Dimensions

Download CAD data → www.festo.com

Y-distributor with cable on controller side



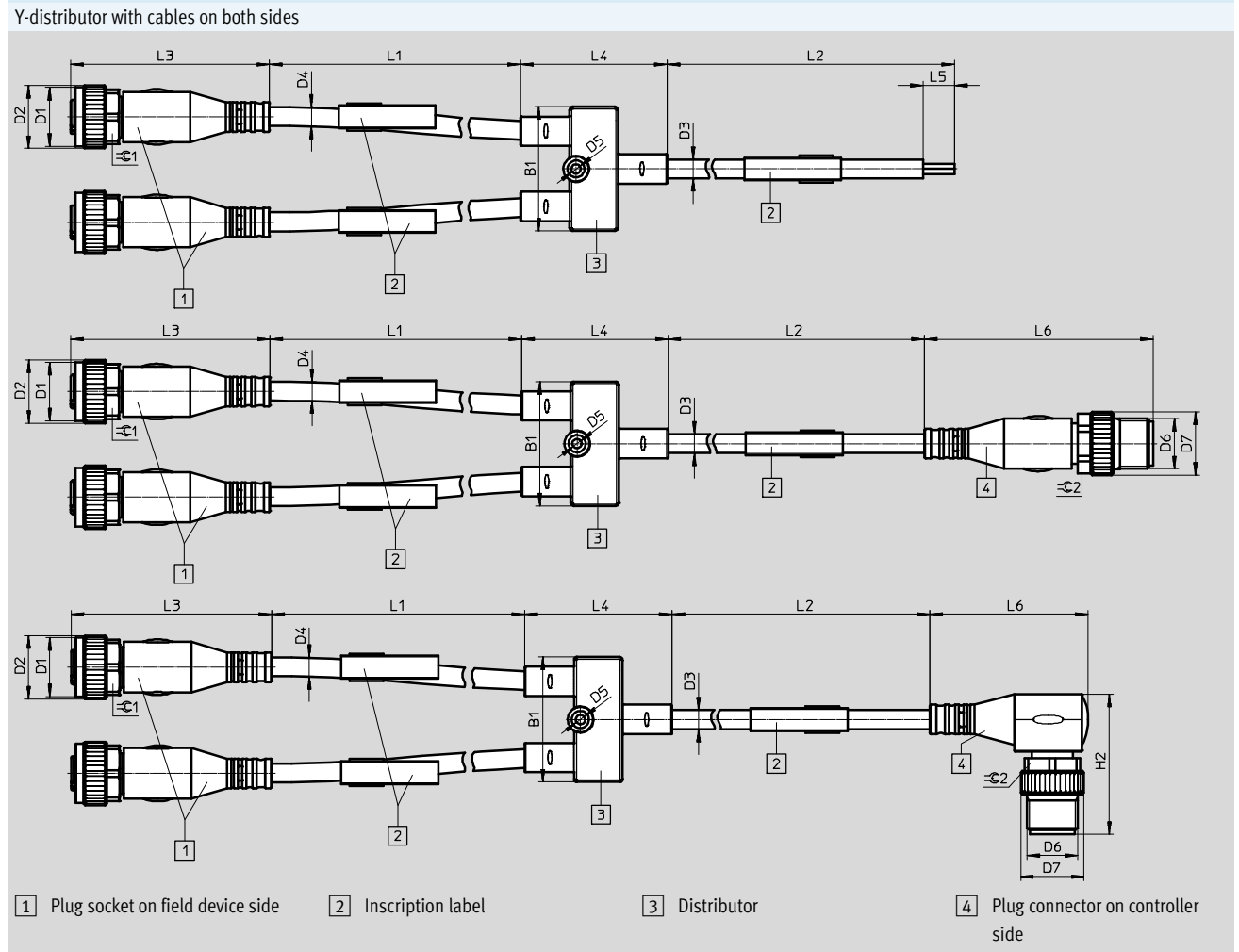
- 1 Plug socket on field device side
- 2 Inscription label
- 3 Distributor
- 4 Plug connector on controller side

Electrical connection, controller side	B1	D1	D2	D3	D5	D6	D7	H2	H3	L2	L5	L6	L7	L8	$\varnothing 1$	$\varnothing 2$
Open cable end	29.6	M12	15	4.5	2.2	–	–	–	18	300 ... 30,000	50	–	35.7	14	A/F 13	–
Plug connector M8x1	29.6	M12	15	4.5	2.2	M8	10	–	18	300 ... 30,000	–	41.1	35.7	14	A/F 13	A/F 9
																Angled
Plug connector M12x1	29.6	M12	15	4.5	2.2	M12	15	–	18	300 ... 30,000	–	54.5	35.7	14	A/F 13	A/F 13
																Angled

Y-distributor, plug socket M12x1, to EN 61076-2-101, 5-pin

Technical data

Dimensions Download CAD data → www.festo.com



Electrical connection, controller side	B1	D1	D2	D3	D4	D5	D6	H2
Open cable end	29.6	M12	15 ∅	4.5 ∅	4.5 ∅	2.2 ∅	–	–
Plug connector M8x1	Straight	29.6	M12	15	4.5	4.5	2.2	M8
	Angled	29.6	M12	15	4.5	4.5	2.2	M8
Plug connector M12x1	Straight	29.6	M12	15	4.5	4.5	2.2	M12
	Angled	29.6	M12	15	4.5	4.5	2.2	M12

Electrical connection, controller side	L1	L2	L3	L4	L5	L6	∅1	∅2
Open cable end	(300 ... 30,000)-L2	(300 ... 30,000)-L1	47.5	34.9	50	–	A/F 13	–
Plug connector M8x1	Straight	(300 ... 30,000)-L2	(300 ... 30,000)-L1	47.5	34.9	–	41.1	A/F 9
	Angled	(300 ... 30,000)-L2	(300 ... 30,000)-L1	47.5	34.9	–	26.9	A/F 9
Plug connector M12x1	Straight	(300 ... 30,000)-L2	(300 ... 30,000)-L1	47.5	34.9	–	54.5	A/F 13
	Angled	(300 ... 30,000)-L2	(300 ... 30,000)-L1	47.5	34.9	–	37.5	A/F 13

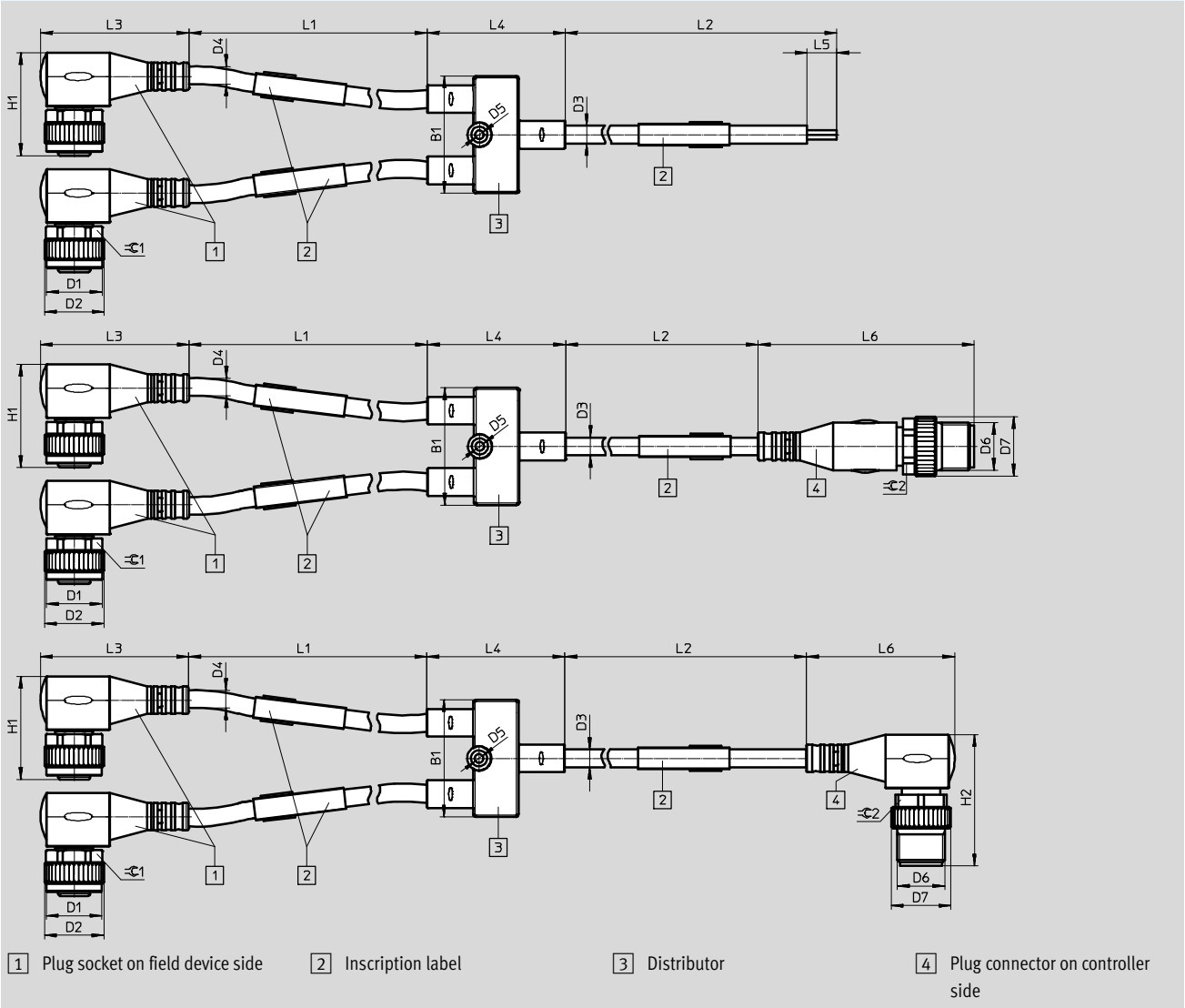
Y-distributor, plug socket M12x1, to EN 61076-2-101, 5-pin

Technical data

Dimensions

Download CAD data → www.festo.com

Y-distributor with cables on both sides



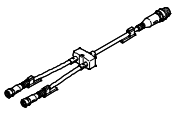



Electrical connection, controller side	B1	D1	D2	D3	D4	D5	D6	H1	H2
Open cable end	29.6	M12	15	4.5	4.5	2.2	–	26	–
Plug connector M8x1	Straight	29.6	M12	15	4.5	4.5	M8	26	–
	Angled	29.6	M12	15	4.5	4.5	M8	26	24
Plug connector M12x1	Straight	29.6	M12	15	4.5	4.5	M12	26	–
	Angled	29.6	M12	15	4.5	4.5	M12	26	33.2

Electrical connection, controller side	L1	L2	L3	L4	L5	L6	∅1	∅2
Open cable end	(300 ... 30,000)-L2	(300 ... 30,000)-L1	37.5	34.9	50	–	A/F 13	–
Plug connector M8x1	Straight	(300 ... 30,000)-L2	(300 ... 30,000)-L1	37.5	34.9	–	41.1	A/F 9
	Angled	(300 ... 30,000)-L2	(300 ... 30,000)-L1	37.5	34.9	–	26.9	A/F 9
Plug connector M12x1	Straight	(300 ... 30,000)-L2	(300 ... 30,000)-L1	37.5	34.9	–	54.5	A/F 13
	Angled	(300 ... 30,000)-L2	(300 ... 30,000)-L1	37.5	34.9	–	37.5	A/F 13

Y-distributor, plug socket M12x1, to EN 61076-2-101, 5-pin

Technical data

Ordering data						
	Field device side	Controller side		Weight [g]	Part No.	Type
	Cable length [m]	Electrical connection	Cable length [m]			
Y-distributor without cable						
	0	Plug connector, straight, M12x1	0	27	8005310	NEDY-L2R1-V1-M12G5-N-M12G4
Y-distributor with cable on controller side						
	0	Plug connector, straight, M8x1	2.5	90	8032307	NEDY-L2R1-V1-M12G5-U-M8G4-2.5R
			5	156	8032308	NEDY-L2R1-V1-M12G5-U-M8G4-5R
		Plug connector, straight, M12x1	2.5	97	8005305	NEDY-L2R1-V1-M12G5-U-M12G4-2.5R
			5	164	8005306	NEDY-L2R1-V1-M12G5-U-M12G4-5R
Y-distributor with cables on both sides						
	0.3	Plug connector, straight, M8x1	2.5	113	8035777	NEDY-L2R1-V1-M12G5-U-0.3L-M8G4-2.5R
			5	179	8035778	NEDY-L2R1-V1-M12G5-U-0.3L-M8G4-5R
		Plug connector, straight, M12x1	2.5	120	8035775	NEDY-L2R1-V1-M12G5-U-0.3L-M12G4-2.5R
			5	187	8035776	NEDY-L2R1-V1-M12G5-U-0.3L-M12G4-5R

Ordering data – Accessories			Part No.	Type
	Mounting for T-slot	<ul style="list-style-type: none"> • For Y-distributor with cables on field device side and plug connector M8x1 	8032868	NEAU-A-N8-1
		<ul style="list-style-type: none"> • For Y-distributor without cable • For Y-distributor with cables on field device side and plug connector M12x1 • For Y-distributor with cable on controller side • For Y-distributor with cables on both sides 	8032869	NEAU-A-N8-2

Y-distributor, plug socket M12x1, to EN 61076-2-101, 5-pin

Ordering data – Modular product system

Ordering table		Condi- tions	Code	Enter code
[M] Module No.	8032867			
Distributor	Sensor/actuator distributor		NEDY	NEDY
Distributor type	2 to 1		-L2R1	-L2R1
Wiring allocation	Standard variant (see circuit diagram, standard)		-V1	-V1
Connection technology on left, field device side	Plug socket M12x1, A-coded, EN 61076-2-101		-M12	-M12
Cable outlet, left	Straight		G	
	Angled		W	
Number of pins/wires, left	5-pin		5	5
[O] Indicator	None			
	Ready and switching status LED (only for PNP sensors)	[1]	P	
Cable characteristics	None			
	Suitable for use with energy chains/robot applications	[2]	-U	
Cable length, left [m]	None			
	0.3 ... 30	[3]	-...L	
Cable identification	With inscription label holder	[2]		
	Without inscription label holder		-N	
[M] Connection technology on right, controller side	Open end		-LE	
	Plug connector M8x1, A-coded, EN 61076-2-104	[2]	-M8	
	Plug connector M12x1, A-coded, EN 61076-2-101		-M12	
[O] Cable outlet, right	None			
	Straight	[4]	G	
	Angled	[4]	W	
[M] Number of pins/wires, right	4-pin		4	4
[O] Cable length, right [m]	None			
	0.3 ... 30	[5]	-...R	

- [1] P** Not in combination with cable outlet, left G
 - [2] -U, -M8** Only with cable length, left or cable length, right
 - [3] -...L** The sum of cable length, left and cable length, right must not exceed 30 m
 - [4] G, W** Not in combination with connection technology on right, controller side LE
 - [5] -...R** The sum of cable length, left and cable length, right must not exceed 30 m
- Mandatory specification in combination with cable outlet, right W
Mandatory specification in combination with connection technology on right, controller side M8
Mandatory specification in combination with connection technology on right, controller side LE

- [M]** Mandatory data
- [O]** Options

Transfer order code

NEDY - **L2R1** - **V1** - **M12** **5** - - - **4** -

Y-distributor, plug socket type A, to EN 175301-803

Type codes

NEDY - L2R1 - V1 - A1 W 4 L - U - - - - -

Function

NEDY	Distributor
------	-------------

Distributor type

L2R1	2 to 1
------	--------

Wiring allocation

V1	Standard variant
----	------------------

Connection technology on left, field device side

A1	Plug socket type A, EN 175301-803
----	-----------------------------------

Cable outlet, left

W	Angled
---	--------

Number of pins/wires, left

4	4-pin
---	-------

Indicator

L	Signal status LED (only for valves)
---	-------------------------------------

Cable characteristics

U	Suitable for use with energy chains/robot applications
---	--

Cable length, left

0,3 ... 30L	0.3 ... 30 m
-------------	--------------

Cable identification

-	With inscription label holder
N	Without inscription label holder

Connection technology on right, controller side

LE	Open end
M8	Plug connector M8x1, A-coded, EN 61076-2-104
M12	Plug connector M12x1, A-coded, EN 61076-2-101

Cable outlet, right

-	None
G	Straight
W	Angled

Number of pins/wires, right

3	3-pin
4	4-pin

Cable length, right

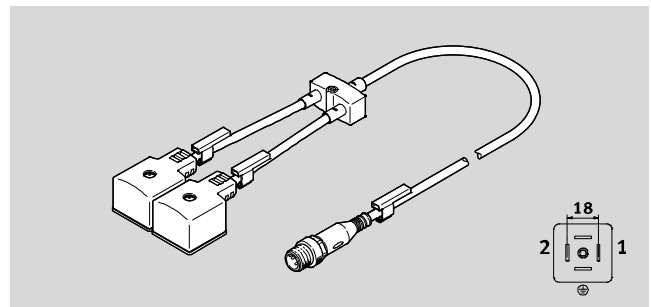
-	None
0,3 ... 30R	0.3 ... 30 m

Y-distributor, plug socket type A, to EN 175301-803

Technical data

Distributor NEDY-L2R1-V1-A1

- Dual distributor
- For connecting valves



General technical data	
Design	Y-distributor
Distributor type	2 to 1
Type of mounting	Via accessories, via through-hole for M2 screw
Cable identification	Via inscription label holder (optional)
Based on standard	EN 175301-803, EN 61076-2-101, EN 61076-2-104
Electrical connection 2	
Function	Field device side
Connection type	2x plug socket
Cable outlet	Angled
Design type	Square
Connection technology	Connection pattern type A to EN 175301-803
Number of pins/wires	4
Assigned pins/wires	2
Indicator	Yellow LED, signal status display

Technical data – Electrical				
Electrical connection 1		Plug connector M8x1	Plug connector M12x1	Open end
Operating voltage range	[V DC]	20.4 ... 27.6	20.4 ... 27.6	20.4 ... 27.6
Surge resistance	[kV]	0.8	0.8	0.8
Acceptable current load at 40°C	[A]	3	4	4
Degree of contamination		3	3	3

Technical data – Cable		
Cable diameter	[mm]	4.5
Conductor nominal cross section	[mm ²]	0.25
Cable characteristics	Suitable for use with energy chains/robot applications	
Cable test conditions	Resistance to bending to Festo standard, test conditions on request, energy chain: 5 million cycles, bending radius: 28 mm, torsional strength: > 300,000 cycles, ±270°/0.1 m	
Minimum bending radius with freely moveable use	[mm]	45

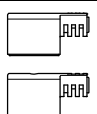
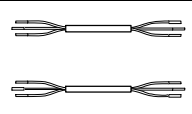
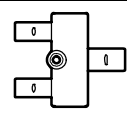
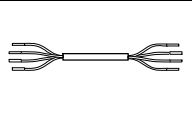
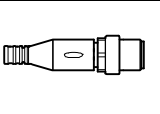
Y-distributor, plug socket type A, to EN 175301-803

Technical data

Technical data – Electrical connection 1			
Function	Controller side		
Connection type	Plug connector		Open end
Cable outlet	Straight, angled	Straight, angled	–
Design type	Round	Round	–
Connection technology	M8x1, A-coded	M12x1, A-coded	–
Number of pins/wires	4	4	3
Assigned pins/wires	3	3	3
Indicator	–	–	–
Based on standard	To EN 61076-2-104	To EN 61076-2-101	–

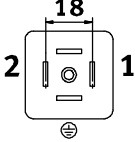
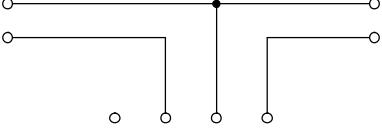
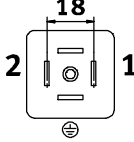
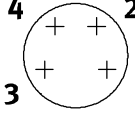
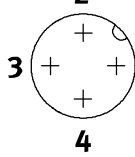
Materials	
Housing	PA, PC, TPE-U(PUR)
Housing colour	Black
Threaded sleeve	Nickel-plated brass
Seals	NBR
Pin contacts	Gold-plated copper alloy, silver-plated copper alloy
Cable sheath	TPE-U(PUR)
Cable sheath colour	Grey
Note on materials	Free of copper and PTFE
	RoHS-compliant
	Free of halogen and phosphoric acid ester

Operating and environmental conditions		
Ambient temperature	[°C]	–20 ... +80
Note on ambient temperature	[°C]	–10 ... +40 with mounting via through-hole temperature
Ambient temperature with flexible cable installation	[°C]	–20 ... +80
Storage temperature	[°C]	–20 ... +80
Degree of protection		IP65/IP67

Product weight									
									
2x plug socket [g]		2x cable [g/m]		Distributor [g]		Cable [g/m]		Plug connector [g]	
Connection pattern type A	41	3-wire	47	With cable outlet	10	3-wire	23.5	M8x1	4.5
				With plug connector M12x1	17			M12x1, straight	12
				With plug connector M8x1	7			M12x1, angled	12.5
				With plug socket M8x1	8			Open end	0
<p>The weights of the individual components must be added together to determine the overall weight: plug socket + length x cable + distributor + length x cable + plug connector</p> <p>Example: NEDY-L2R1-V1-A1W4L-U-3L-LE3-10R 41 g + 3x 47 g + 10 g + 10x 23.5 g + 0 g = 417 g</p>									

Y-distributor, plug socket type A, to EN 175301-803

Technical data

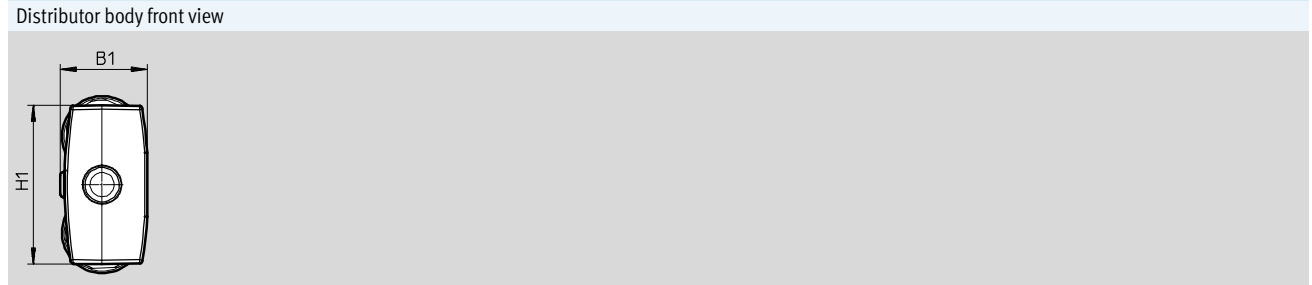
Wiring allocation (plug socket/plug connector view)									
Connection no. 4	Pin	Wire colour ¹⁾	Wiring allocation			Wire colour ¹⁾	Pin	Connection no. 2	
	1	BN				BN	1		
	2	BU				BU	2		
	Wire colour ¹⁾			-	BK	BU	BN		
	Pin			1	4	3	2		
				Plug connector M8x1					
									
			Plug connector M12x1						
									

1) To IEC 757

Y-distributor, plug socket type A, to EN 175301-803

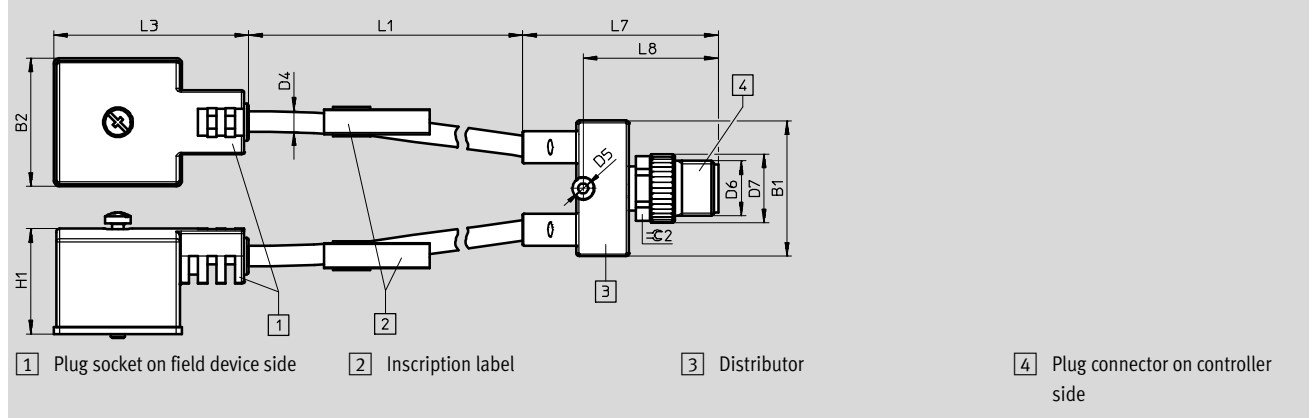
Technical data

Dimensions Download CAD data → www.festo.com



Distributor body front view		B1	H1
Size 1:	• Y-distributor with cables on field device side and plug connector M8x1	12	21
Size 2:	• Y-distributor with cables on field device side and plug connector M12x1 • Y-distributor with cables on both sides	16.2	29.6

Y-distributor with cables on field device side



Electrical connection, controller side	B1	B2	D4 Ø	D5 Ø	D6	D7 Ø	H1	L1	L3	L7	L8	⌀ 2
Plug connector M8x1	21	27	4.5	2.2	M8	10	23.6	300 ... 30,000	42	35	21.6	A/F 9
Plug connector M12x1	29.6	27	4.5	2.2	M12	15	23.6	300 ... 30,000	42	42.7	29.5	A/F 13

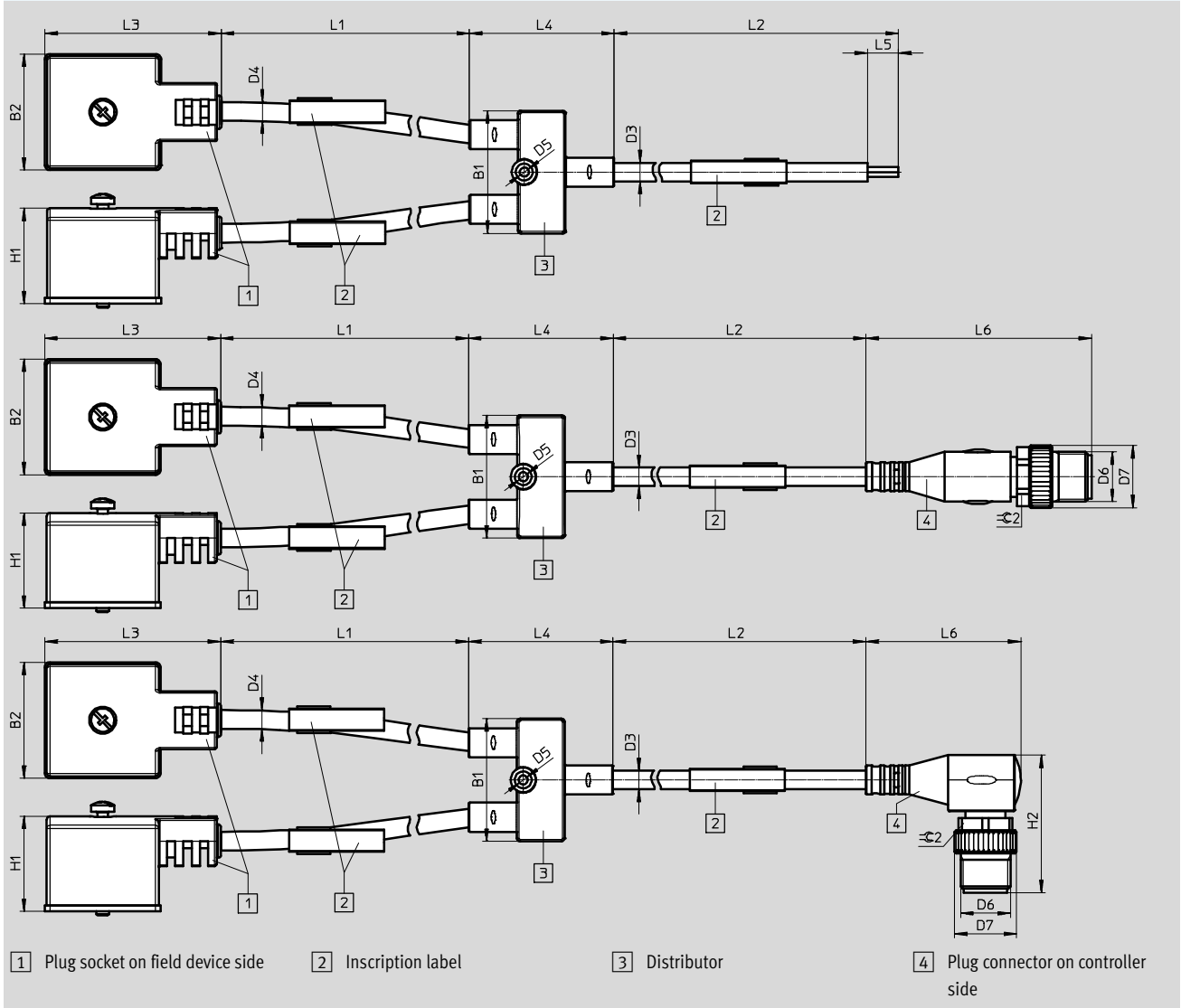
Y-distributor, plug socket type A, to EN 175301-803

Technical data

Dimensions

Download CAD data → www.festo.com

Y-distributor with cables on both sides

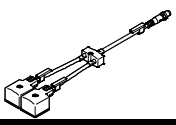



Electrical connection, controller side	B1	B2	D3 Ø	D4 Ø	D5 Ø	D6	H1	H2	L1	L2	L3	L4	L5	L6	±0.2	
Open cable end	29.6	27	4.5	4.5	2.2	-	23.6	-	(300 ... 30,000)-L2	(300 ... 30,000)-L1	42	34.9	50	-	-	
Plug connector M8x1	Straight	29.6	27	4.5	4.5	2.2	M8	23.6	-	(300 ... 30,000)-L2	(300 ... 30,000)-L1	42	34.9	-	41.1	A/F 9
	Angled	29.6	27	4.5	4.5	2.2	M8	23.6	24	(300 ... 30,000)-L2	(300 ... 30,000)-L1	42	34.9	-	26.9	A/F 9
Plug connector M12x1	Straight	29.6	27	4.5	4.5	2.2	M12	23.6	-	(300 ... 30,000)-L2	(300 ... 30,000)-L1	42	34.9	-	54.5	A/F 13
	Angled	29.6	27	4.5	4.5	2.2	M12	23.6	33.2	(300 ... 30,000)-L2	(300 ... 30,000)-L1	42	34.9	-	37.5	A/F 13

Y-distributor, plug socket type A, to EN 175301-803

FESTO

Technical data

Ordering data						
	Field device side	Controller side		Weight [g]	Part No.	Type
	Cable length [m]	Electrical connection	Cable length [m]			
Y-distributor with cables on both sides						
	0.3	Plug connector, straight, M8x1	2.5	128	8035793	NEDY-L2R1-V1-A1W4L-U-0.3L-M8G4-2.5R
			5	187	8035794	NEDY-L2R1-V1-A1W4L-U-0.3L-M8G4-5R
	0.3	Plug connector, straight, M12x1	2.5	134	8035791	NEDY-L2R1-V1-A1W4L-U-0.3L-M12G4-2.5R
			5	195	8035792	NEDY-L2R1-V1-A1W4L-U-0.3L-M12G4-5R

Ordering data – Accessories				Part No.	Type
	Mounting for T-slot	• For Y-distributor with cables on field device side and plug connector M8x1		8032868	NEAU-A-N8-1
		• For Y-distributor with cables on field device side and plug connector M12x1		8032869	NEAU-A-N8-2
		• For Y-distributor with cables on both sides			

Y-distributor, plug socket type A, to EN 175301-803

Ordering data – Modular product system

Ordering table		Condi- tions	Code	Enter code
M	Module No.	8032867		
	Distributor	Sensor/actuator distributor	NEDY	NEDY
	Distributor type	2 to 1	-L2R1	-L2R1
	Wiring allocation	Standard variant (see circuit diagram, standard)	-V1	-V1
	Connection technology on left, field device side	Plug socket type A, EN 175301-803	-A1	-A1
	Cable outlet, left	Angled	W	W
	Number of pins/wires, left	4-pin	4	4
	Indicator	Signal status LED (only for valves)	L	L
	Cable characteristics	Suitable for use with energy chains/robot applications	-U	-U
	Cable length, left [m]	0.3 ... 30	1 -...L	
O	Cable identification	With inscription label holder		
		Without inscription label holder	-N	
M	Connection technology on right, controller side	Open end	-LE	
		Plug connector M8x1, A-coded, EN 61076-2-104	-M8	
		Plug connector M12x1, A-coded, EN 61076-2-101	-M12	
O	Cable outlet, right	None	2	
		Straight	3 G	
		Angled	3 W	
M	Number of pins/wires, right	3-pin	2 3	
		4-pin	4 4	
O	Cable length, right [m]	None		
		0.3 ... 30	5 -...R	

- 1** -...L The sum of cable length, left and cable length, right must not exceed 30 m
- 2** **3** Only with connection technology on right LE
- 3** **G, W** Not in combination with connection technology on right, controller side LE
- 4** **4** Only with connection technology on right M8 or M12
- 5** -...R The sum of cable length, left and cable length, right must not exceed 30 m
Mandatory specification in combination with cable outlet, right W
Mandatory specification in combination with connection technology on right, controller side LE

- M** Mandatory data
- O** Options

Transfer order code

NEDY - **L2R1** - **V1** - **A1** **W** **4** **L** - **U** - - -

Y-distributor, plug socket type B, to EN 175301-803

Type codes

NEDY - L2R1 - V1 - B1 W 3 L - U - - - - -

Function

NEDY	Distributor
------	-------------

Distributor type

L2R1	2 to 1
------	--------

Wiring allocation

V1	Standard variant
----	------------------

Connection technology on left, field device side

B1	Plug socket type B, EN 175301-803
----	-----------------------------------

Cable outlet, left

W	Angled
---	--------

Number of pins/wires, left

3	3-pin
---	-------

Indicator

L	Signal status LED (only for valves)
---	-------------------------------------

Cable characteristics

U	Suitable for use with energy chains/robot applications
---	--

Cable length, left

0,3 ... 30L	0.3 ... 30 m
-------------	--------------

Cable identification

-	With inscription label holder
N	Without inscription label holder

Connection technology on right, controller side

LE	Open end
M8	Plug connector M8x1, A-coded, EN 61076-2-104
M12	Plug connector M12x1, A-coded, EN 61076-2-101

Cable outlet, right

-	None
G	Straight
W	Angled

Number of pins/wires, right

3	3-pin
4	4-pin

Cable length, right

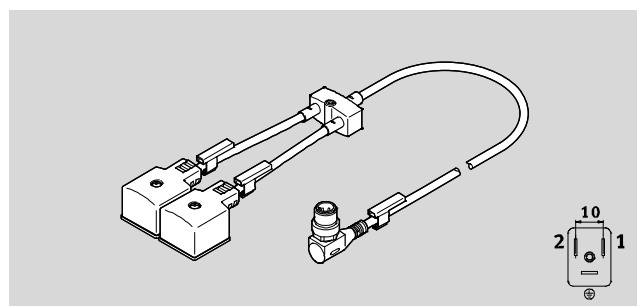
-	None
0,3 ... 30R	0.3 ... 30 m

Y-distributor, plug socket type B, to EN 175301-803

Technical data

Distributor NEDY-L2R1-V1-B1

- Dual distributor
- For connecting valves



General technical data	
Design	Y-distributor
Distributor type	2 to 1
Type of mounting	Via accessories, via through-hole for M2 screw
Cable identification	Via inscription label holder (optional)
Based on standard	EN 175301-803, EN 61076-2-101, EN 61076-2-104
Electrical connection 2	
Function	Field device side
Connection type	2x plug socket
Cable outlet	Angled
Design type	Square
Connection technology	Connection pattern type B, to EN 175301-803
Number of pins/wires	3
Assigned pins/wires	2
Indicator	Yellow LED, signal status display

Technical data – Electrical				
Electrical connection 1		Plug connector M8x1	Plug connector M12x1	Open end
Operating voltage range	[V DC]	20.4 ... 27.6	20.4 ... 27.6	20.4 ... 27.6
Surge resistance	[kV]	0.8	0.8	0.8
Acceptable current load at 40°C	[A]	3	4	4
Degree of contamination		3	3	3

Technical data – Cable		
Cable diameter	[mm]	4.5
Conductor nominal cross section	[mm ²]	0.25
Cable characteristics	Suitable for use with energy chains/robot applications	
Cable test conditions	Resistance to bending to Festo standard, test conditions on request, energy chain: 5 million cycles, bending radius: 28 mm, torsional strength: > 300,000 cycles, ±270°/0.1 m	
Minimum bending radius with freely moveable use	[mm]	45

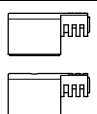
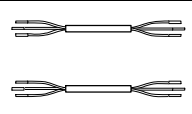
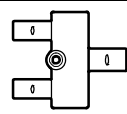
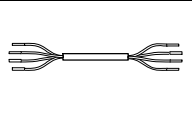
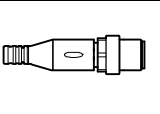
Y-distributor, plug socket type B, to EN 175301-803

Technical data

Technical data – Electrical connection 1			
Function	Controller side		
Connection type	Plug connector		Open end
Cable outlet	Straight, angled	Straight, angled	–
Design type	Round	Round	–
Connection technology	M8x1, A-coded	M12x1, A-coded	–
Number of pins/wires	4	4	3
Assigned pins/wires	3	3	3
Indicator	–	–	–
Based on standard	To EN 61076-2-104	To EN 61076-2-101	–

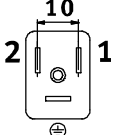
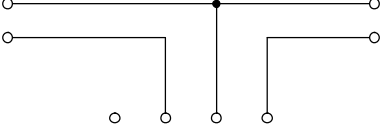
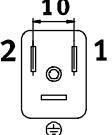
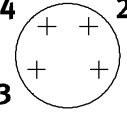
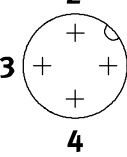
Materials	
Housing	PA, PC, TPE-U(PUR)
Housing colour	Black
Threaded sleeve	Nickel-plated brass
Seals	NBR
Pin contacts	Gold-plated copper alloy, silver-plated copper alloy
Cable sheath	TPE-U(PUR)
Cable sheath colour	Grey
Note on materials	Free of copper and PTFE
	RoHS-compliant
	Free of halogen and phosphoric acid ester

Operating and environmental conditions		
Ambient temperature	[°C]	–20 ... +80
Note on ambient temperature	[°C]	–10 ... +40 with mounting via through-hole temperature
Ambient temperature with flexible cable installation	[°C]	–20 ... +80
Storage temperature	[°C]	–20 ... +80
Degree of protection		IP65/IP67

Product weight									
									
2x plug socket [g]		2x cable [g/m]		Distributor [g]		Cable [g/m]		Plug connector [g]	
Connection pattern type B	40	3-wire	47	With cable outlet	10	3-wire	23.5	M8x1	4.5
				With plug connector M12x1	17			M12x1, straight	12
				With plug connector M8x1	7			M12x1, angled	12.5
				With plug socket M8x1	8			Open end	0
<p>The weights of the individual components must be added together to determine the overall weight: plug socket + length x cable + distributor + length x cable + plug connector</p> <p>Example: NEDY-L2R1-V1-B1W3L-U-3L-LE3-10R 40 g + 3x 47 g + 10 g + 10x 23.5 g + 0 g = 416 g</p>									

Y-distributor, plug socket type B, to EN 175301-803

Technical data

Wiring allocation (plug socket/plug connector view)									
Connection no. 4	Pin	Wire colour ¹⁾	Wiring allocation			Wire colour ¹⁾	Pin	Connection no. 2	
	1	BN				BN	1		
	2	BU				BU	2		
	Wire colour ¹⁾			-	BK	BU	BN		
	Pin			1	4	3	2		
				Plug connector M8x1					
									
			Plug connector M12x1						
									

1) To IEC 757

Y-distributor, plug socket type B, to EN 175301-803

Technical data

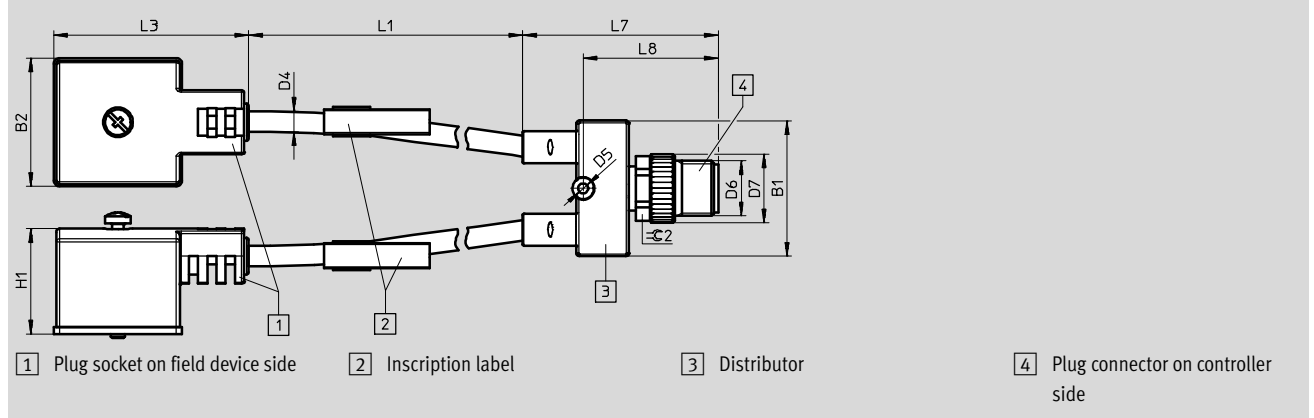
Dimensions Download CAD data → www.festo.com

Distributor body front view



Distributor body front view		B1	H1
Size 1:	• Y-distributor with cables on field device side and plug connector M8x1	12	21
Size 2:	• Y-distributor with cables on field device side and plug connector M12x1 • Y-distributor with cables on both sides	16.2	29.6

Y-distributor with cables on field device side



Electrical connection, controller side	B1	B2	D4 Ø	D5 Ø	D6	D7 Ø	H1	L1	L3	L7	L8	⌀ 2
Plug connector M8x1	21	21	4.5	2.2	M8	10	23.9	300 ... 30,000	43	35	21.6	A/F 9
Plug connector M12x1	29.6	21	4.5	2.2	M12	15	23.9	300 ... 30,000	43	42.7	29.5	A/F 13

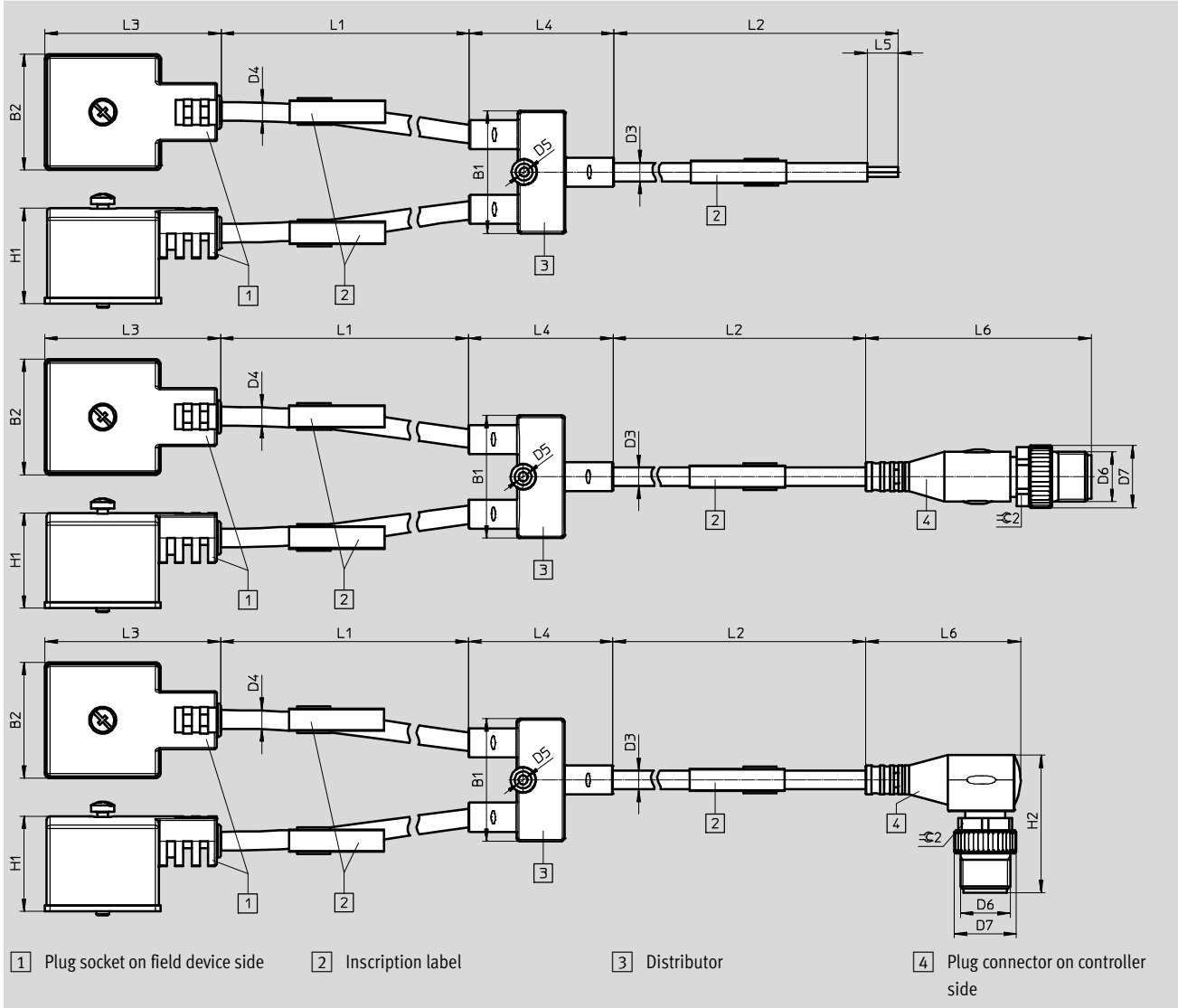
Y-distributor, plug socket type B, to EN 175301-803

Technical data

Dimensions

Download CAD data → www.festo.com

Y-distributor with cables on both sides



Electrical connection, controller side	B1	B2	D3 Ø	D4 Ø	D5 Ø	D6	H1	H2	L1	L2	L3	L4	L5	L6	⊖2	
Open cable end	29.6	21	4.5	4.5	2.2	–	23.9	–	(300 ... 30,000)-L2	(300 ... 30,000)-L1	43	34.9	50	–	–	
Plug connector M8x1	Straight	29.6	21	4.5	4.5	2.2	M8	23.9	–	(300 ... 30,000)-L2	(300 ... 30,000)-L1	43	34.9	–	41.1	A/F 9
	Angled	29.6	21	4.5	4.5	2.2	M8	23.9	24	(300 ... 30,000)-L2	(300 ... 30,000)-L1	43	34.9	–	26.9	A/F 9
Plug connector M12x1	Straight	29.6	21	4.5	4.5	2.2	M12	23.9	–	(300 ... 30,000)-L2	(300 ... 30,000)-L1	43	34.9	–	54.5	A/F 13
	Angled	29.6	21	4.5	4.5	2.2	M12	23.9	33.2	(300 ... 30,000)-L2	(300 ... 30,000)-L1	43	34.9	–	37.5	A/F 13

Ordering data – Accessories

		Part No.	Type
	Mounting for T-slot	• For Y-distributor with cables on field device side and plug connector M8x1	8032868 NEAU-A-N8-1
		• For Y-distributor with cables on field device side and plug connector M12x1	8032869 NEAU-A-N8-2
		• For Y-distributor with cables on both sides	

Y-distributor, plug socket type B, to EN 175301-803

Ordering data – Modular product system

Ordering table			Condi- tions	Code	Enter code
M	Module No.	8032867			
	Distributor	Sensor/actuator distributor		NEDY	NEDY
	Distributor type	2 to 1		-L2R1	-L2R1
	Wiring allocation	Standard variant (see circuit diagram, standard)		-V1	-V1
	Connection technology on left, field device side	Plug socket type B, EN 175301-803		-B1	-B1
	Cable outlet, left	Angled		W	W
	Number of pins/wires, left	3-pin		3	3
	Indicator	Signal status LED (only for valves)		L	L
	Cable characteristics	Suitable for use with energy chains/robot applications		-U	-U
	Cable length, left [m]	0.3 ... 30	1	-...L	
O	Cable identification	With inscription label holder			
		Without inscription label holder		-N	
M	Connection technology on right, controller side	Open end		-LE	
		Plug connector M8x1, A-coded, EN 61076-2-104		-M8	
		Plug connector M12x1, A-coded, EN 61076-2-101		-M12	
O	Cable outlet, right	None	2		
		Straight	3	G	
		Angled	3	W	
M	Number of pins/wires, right	3-pin	2	3	
		4-pin	4	4	
O	Cable length, right [m]	None			
		0.3 ... 30	5	-...R	

- 1** -...L The sum of cable length, left and cable length, right must not exceed 30 m
- 2** **3** Only with connection technology on right LE
- 3** **G, W** Not in combination with connection technology on right, controller side LE
- 4** **4** Only with connection technology on right M8 or M12
- 5** -...R The sum of cable length, left and cable length, right must not exceed 30 m
Mandatory specification in combination with cable outlet, right W
Mandatory specification in combination with connection technology on right, controller side LE

- M** Mandatory data
- O** Options

Transfer order code

NEDY - **L2R1** - **V1** - **B1** **W** **3** **L** - **U** - - -

Y-distributor, plug socket type B, industry standard 11 mm

Type codes

NEDY - L2R1 - V1 - B2 W 3 L - U - - - - -

Function

NEDY	Distributor
------	-------------

Distributor type

L2R1	2 to 1
------	--------

Wiring allocation

V1	Standard variant
----	------------------

Connection technology on left, field device side

B2	Plug socket type B, industry standard, 11 mm
----	--

Cable outlet, left

W	Angled
---	--------

Number of pins/wires, left

3	3-pin
---	-------

Indicator

L	Signal status LED (only for valves)
---	-------------------------------------

Cable characteristics

U	Suitable for use with energy chains/robot applications
---	--

Cable length, left

0,3 ... 30L	0.3 ... 30 m
-------------	--------------

Cable identification

-	With inscription label holder
N	Without inscription label holder

Connection technology on right, controller side

LE	Open end
M8	Plug connector M8x1, A-coded, EN 61076-2-104
M12	Plug connector M12x1, A-coded, EN 61076-2-101

Cable outlet, right

-	None
G	Straight
W	Angled

Number of pins/wires, right

3	3-pin
4	4-pin

Cable length, right

-	None
0,3 ... 30R	0.3 ... 30 m

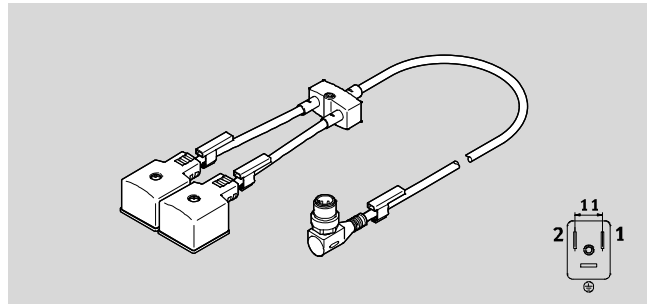
Y-distributor, plug socket type B, industry standard 11 mm

FESTO

Technical data

Distributor NEDY-L2R1-V1-B2

- Dual distributor
- For connecting valves



General technical data	
Design	Y-distributor
Distributor type	2 to 1
Type of mounting	Via accessories, via through-hole for M2 screw
Cable identification	Via inscription label holder (optional)
Based on standard	EN 61076-2-101, EN 61076-2-104
Electrical connection 2	
Function	Field device side
Connection type	2x plug socket
Cable outlet	Angled
Design type	Square
Connection technology	Connection pattern type B to industry standard, 11 mm
Number of pins/wires	3
Assigned pins/wires	2
Indicator	Yellow LED, signal status display

Technical data – Electrical				
Electrical connection 1		Plug connector M8x1	Plug connector M12x1	Open end
Operating voltage range	[V DC]	20.4 ... 27.6	20.4 ... 27.6	20.4 ... 27.6
Surge resistance	[kV]	0.8	0.8	0.8
Acceptable current load at 40°C	[A]	3	4	4
Degree of contamination		3	3	3

Technical data – Cable		
Cable diameter	[mm]	4.5
Conductor nominal cross section	[mm ²]	0.25
Cable characteristics		Suitable for use with energy chains/robot applications
Cable test conditions		Resistance to bending to Festo standard, test conditions on request, energy chain: 5 million cycles, bending radius: 28 mm, torsional strength: > 300,000 cycles, ±270°/0.1 m
Minimum bending radius with freely moveable use	[mm]	45

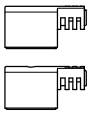
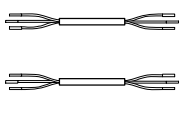
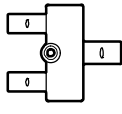


Y-distributor, plug socket type B, industry standard 11 mm

Technical data

Technical data – Electrical connection 1			
Function	Controller side		
Connection type	Plug connector		Open end
Cable outlet	Straight, angled	Straight, angled	–
Design type	Round	Round	–
Connection technology	M8x1, A-coded	M12x1, A-coded	–
Number of pins/wires	4	4	3
Assigned pins/wires	3	3	3
Indicator	–	–	–
Based on standard	To EN 61076-2-104	To EN 61076-2-101	–

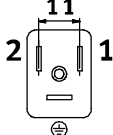
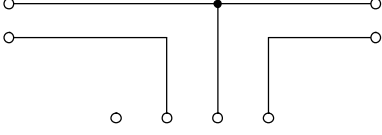
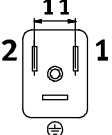
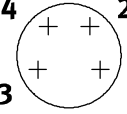
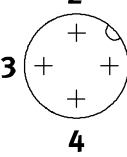
Materials	
Housing	PA, PC, TPE-U(PUR)
Housing colour	Black
Threaded sleeve	Nickel-plated brass
Seals	NBR
Pin contacts	Gold-plated copper alloy, silver-plated copper alloy
Cable sheath	TPE-U(PUR)
Cable sheath colour	Grey
Note on materials	Free of copper and PTFE
	RoHS-compliant
	Free of halogen and phosphoric acid ester

Operating and environmental conditions		
Ambient temperature	[°C]	–20 ... +80
Note on ambient temperature	[°C]	–10 ... +40 with mounting via through-hole
Ambient temperature with flexible cable installation	[°C]	–20 ... +80
Storage temperature	[°C]	–20 ... +80
Degree of protection		IP65/IP67

Product weight									
									
2x plug socket [g]		2x cable [g/m]		Distributor [g]		Cable [g/m]		Plug connector [g]	
Connection pattern type B	40	3-wire	47	With cable outlet	10	3-wire	23.5	M8x1	4.5
				With plug connector M12x1	17			M12x1, straight	12
				With plug connector M8x1	7			M12x1, angled	12.5
				With plug socket M8x1	8			Open end	0
<p>The weights of the individual components must be added together to determine the overall weight: plug socket + length x cable + distributor + length x cable + plug connector</p> <p>Example: NEDY-L2R1-V1-B2W3L-U-3L-LE3-10R 40 g + 3x 47 g + 10 g + 10x 23.5 g + 0 g = 416 g</p>									

Y-distributor, plug socket type B, industry standard 11 mm

Technical data

Wiring allocation (plug socket/plug connector view)									
Connection no. 4	Pin	Wire colour ¹⁾	Wiring allocation			Wire colour ¹⁾ Pin	Connection no. 2		
	1	BN				BN	1		
	2	BU				BN	2		
			Wire colour ¹⁾	-	BK	BU	BN		
			Pin	1	4	3	2		
			Plug connector M8x1						
									
		Plug connector M12x1							
									

1) To IEC 757

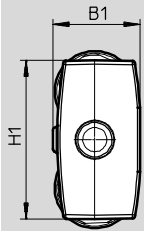
Y-distributor, plug socket type B, industry standard 11 mm

Technical data

Dimensions

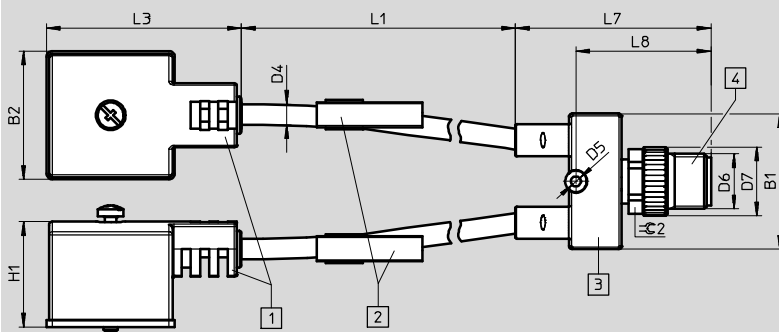
Download CAD data → www.festo.com

Distributor body front view



Distributor body front view		B1	H1
Size 1:	<ul style="list-style-type: none"> Y-distributor with cables on field device side and plug connector M8x1 	12	21
Size 2:	<ul style="list-style-type: none"> Y-distributor with cables on field device side and plug connector M12x1 Y-distributor with cables on both sides 	16.2	29.6

Y-distributor with cables on field device side



- 1 Plug socket on field device side
 2 Inscription label
 3 Distributor
 4 Plug connector on controller side

Electrical connection, controller side	B1	B2	D4 ∅	D5 ∅	D6	D7 ∅	H1	L1	L3	L7	L8	±0.2
Plug connector M8x1	21	21	4.5	2.2	M8	10	23.9	300 ... 30,000	43	35	21.6	A/F 9
Plug connector M12x1	29.6	21	4.5	2.2	M12	15	23.9	300 ... 30,000	43	42.7	29.5	A/F 13

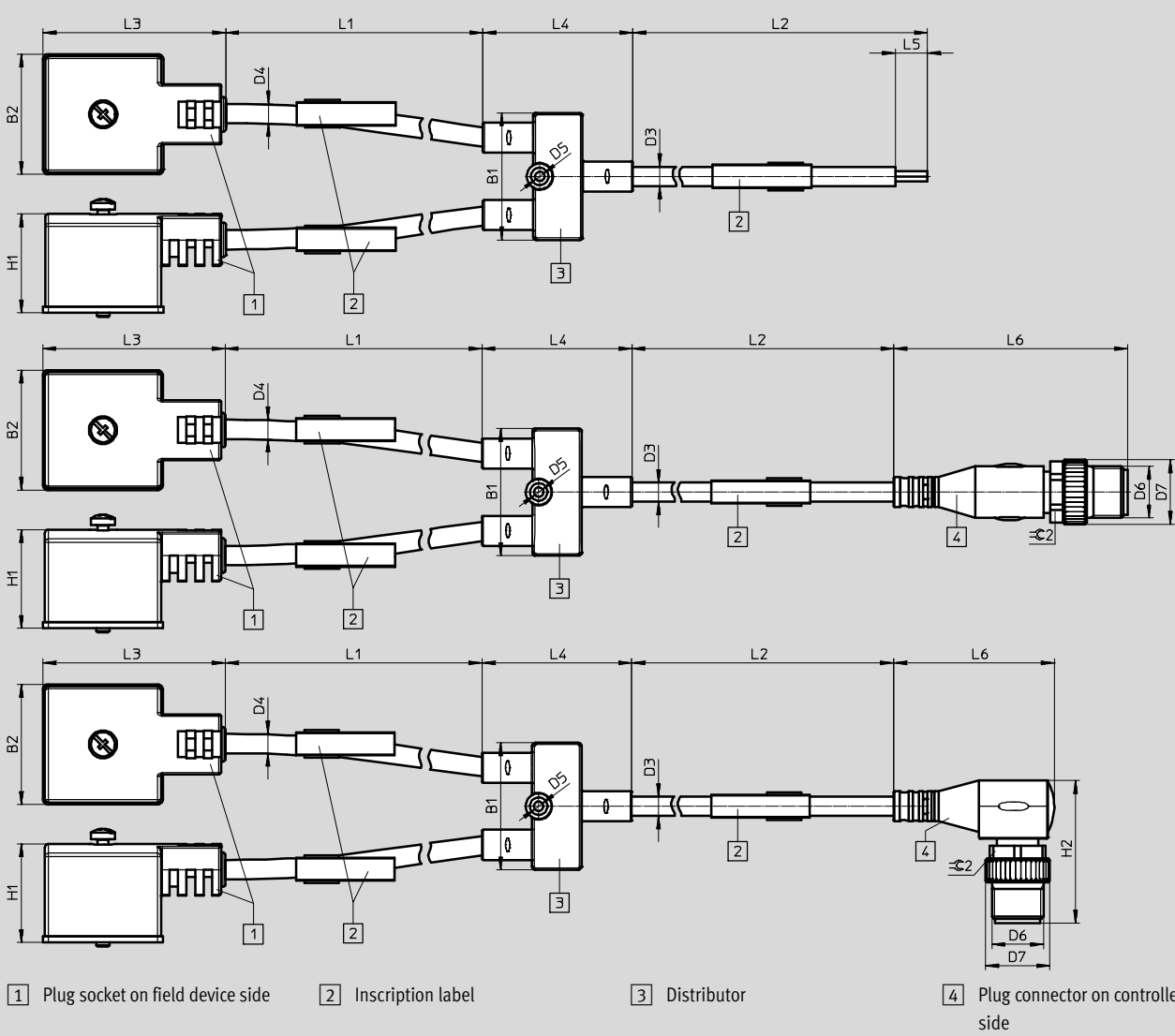
Y-distributor, plug socket type B, industry standard 11 mm

Technical data

Dimensions

Download CAD data → www.festo.com

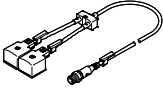
Y-distributor with cables on both sides




Electrical connection, controller side	B1	B2	D3 ∅	D4 ∅	D5 ∅	D6	H1	H2	L1	L2	L3	L4	L5	L6	≅ 2	
Open cable end	29.6	21	4.5	4.5	2.2	-	23.9	-	(300 ... 30,000)-L2	(300 ... 30,000)-L1	43	34.9	50	-	-	
Plug connector M8x1	Straight	29.6	21	4.5	4.5	2.2	M8	23.9	-	(300 ... 30,000)-L2	(300 ... 30,000)-L1	43	34.9	-	41.1	A/F 9
	Angled	29.6	21	4.5	4.5	2.2	M8	23.9	24	(300 ... 30,000)-L2	(300 ... 30,000)-L1	43	34.9	-	26.9	A/F 9
Plug connector M12x1	Straight	29.6	21	4.5	4.5	2.2	M12	23.9	-	(300 ... 30,000)-L2	(300 ... 30,000)-L1	43	34.9	-	54.5	A/F 13
	Angled	29.6	21	4.5	4.5	2.2	M12	23.9	33.2	(300 ... 30,000)-L2	(300 ... 30,000)-L1	43	34.9	-	37.5	A/F 13

Y-distributor, plug socket type B, industry standard 11 mm

Technical data

Ordering data						
	Field device side	Controller side		Weight [g]	Part No.	Type
	Cable length [m]	Electrical connection	Cable length [m]			
Y-distributor with cables on both sides						
	0.3	Plug connector, straight, M8x1	2.5	127	8035781	NEDY-L2R1-V1-B2W3L-U-0.3L-M8G4-2.5R
			5	186	8035782	NEDY-L2R1-V1-B2W3L-U-0.3L-M8G4-5R
		Plug connector, straight, M12x1	2.5	135	8035779	NEDY-L2R1-V1-B2W3L-U-0.3L-M12G4-2.5R
			5	194	8035780	NEDY-L2R1-V1-B2W3L-U-0.3L-M12G4-5R

Ordering data – Accessories				Part No.	Type
	Mounting for T-slot	• For Y-distributor with cables on field device side and plug connector M8x1		8032868	NEAU-A-N8-1
		• For Y-distributor with cables on field device side and plug connector M12x1		8032869	NEAU-A-N8-2
		• For Y-distributor with cables on both sides			

Y-distributor, plug socket type B, industry standard 11 mm

Ordering data – Modular product system

Ordering table		Condi- tions	Code	Enter code
M	Module No.	8032867		
	Distributor	Sensor/actuator distributor	NEDY	NEDY
	Distributor type	2 to 1	-L2R1	-L2R1
	Wiring allocation	Standard variant (see circuit diagram, standard)	-V1	-V1
	Connection technology on left, field device side	Plug socket type B, industry standard, 11 mm	-B2	-B2
	Cable outlet, left	Angled	W	W
	Number of pins/wires, left	3-pin	3	3
	Indicator	Signal status LED (only for valves)	L	L
	Cable characteristics	Suitable for use with energy chains/robot applications	-U	-U
	Cable length, left [m]	0.3 ... 30	1 -...L	
O	Cable identification	With inscription label holder		
		Without inscription label holder	-N	
M	Connection technology on right, controller side	Open end	-LE	
		Plug connector M8x1, A-coded, EN 61076-2-104	-M8	
		Plug connector M12x1, A-coded, EN 61076-2-101	-M12	
O	Cable outlet, right	None	2	
		Straight	3 G	
		Angled	3 W	
M	Number of pins/wires, right	3-pin	2 3	
		4-pin	4 4	
O	Cable length, right [m]	None		
		0.3 ... 30	5 -...R	

- 1** -...L The sum of cable length, left and cable length, right must not exceed 30 m
- 2** **3** Only with connection technology on right LE
- 3** **G, W** Not in combination with connection technology on right, controller side LE
- 4** **4** Only with connection technology on right M8 or M12
- 5** -...R The sum of cable length, left and cable length, right must not exceed 30 m
Mandatory specification in combination with cable outlet, right W
Mandatory specification in combination with connection technology on right, controller side LE

- M** Mandatory data
- O** Options

Transfer order code

NEDY - **L2R1** - **V1** - **B2** **W** **3** **L** - **U** - - -

Y-distributor, plug socket type C, to EN 175301-803

Type codes

NEDY - L2R1 - V1 - C1 W 4 L - U - - - - -

Function

NEDY	Distributor
------	-------------

Distributor type

L2R1	2 to 1
------	--------

Wiring allocation

V1	Standard variant
----	------------------

Connection technology on left, field device side

C1	Plug socket type C, EN 175301-803
----	-----------------------------------

Cable outlet, left

W	Angled
---	--------

Number of pins/wires, left

4	4-pin
---	-------

Indicator

L	Signal status LED (only for valves)
---	-------------------------------------

Cable characteristics

U	Suitable for use with energy chains/robot applications
---	--

Cable length, left

0,3 ... 30L	0.3 ... 30 m
-------------	--------------

Cable identification

-	With inscription label holder
N	Without inscription label holder

Connection technology on right, controller side

LE	Open end
M8	Plug connector M8x1, A-coded, EN 61076-2-104
M12	Plug connector M12x1, A-coded, EN 61076-2-101

Cable outlet, right

-	None
G	Straight
W	Angled

Number of pins/wires, right

3	3-pin
4	4-pin

Cable length, right

-	None
0,3 ... 30R	0.3 ... 30 m

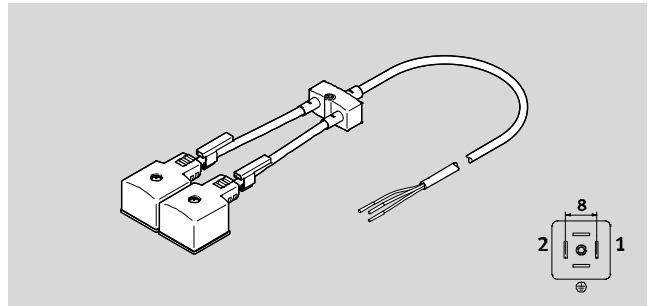
Y-distributor, plug socket type C, to EN 175301-803

FESTO

Technical data

Distributor NEDY-L2R1-V1-C1

- Dual distributor
- For connecting valves



General technical data	
Design	Y-distributor
Distributor type	2 to 1
Type of mounting	Via accessories, via through-hole for M2 screw
Cable identification	Via inscription label holder (optional)
Based on standard	EN 175301-803, EN 61076-2-101, EN 61076-2-104
Electrical connection 2	
Function	Field device side
Connection type	2x plug socket
Cable outlet	Angled
Design type	Square
Connection technology	Connection pattern type C, to EN 175301-803
Number of pins/wires	4
Assigned pins/wires	2
Indicator	Yellow LED, signal status display

Technical data – Electrical				
Electrical connection 1		Plug connector M8x1	Plug connector M12x1	Open end
Operating voltage range	[V DC]	20.4 ... 27.6	20.4 ... 27.6	20.4 ... 27.6
Surge resistance	[kV]	0.8	0.8	0.8
Acceptable current load at 40°C	[A]	3	4	4
Degree of contamination		3	3	3

Technical data – Cable		
Cable diameter	[mm]	4.5
Conductor nominal cross section	[mm ²]	0.25
Cable characteristics		Suitable for use with energy chains/robot applications
Cable test conditions		Resistance to bending to Festo standard, test conditions on request, energy chain: 5 million cycles, bending radius: 28 mm, torsional strength: > 300,000 cycles, ±270°/0.1 m
Minimum bending radius with freely moveable use	[mm]	45

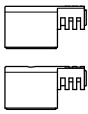
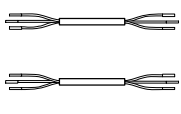
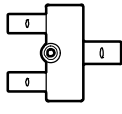

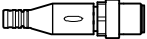
Y-distributor, plug socket type C, to EN 175301-803

Technical data

Technical data – Electrical connection 1			
Function	Controller side		
Connection type	Plug connector		Open end
Cable outlet	Straight, angled	Straight, angled	–
Design type	Round	Round	–
Connection technology	M8x1, A-coded	M12x1, A-coded	–
Number of pins/wires	4	4	3
Assigned pins/wires	3	3	3
Indicator	–	–	–
Based on standard	To EN 61076-2-104	To EN 61076-2-101	–

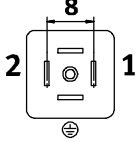
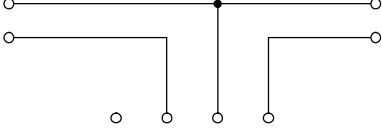
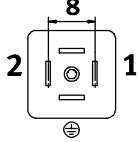
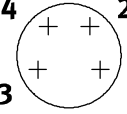
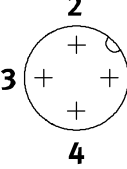
Materials	
Housing	PA, PC, TPE-U(PUR)
Housing colour	Black
Threaded sleeve	Nickel-plated brass
Seals	NBR
Pin contacts	Gold-plated copper alloy, silver-plated copper alloy
Cable sheath	TPE-U(PUR)
Cable sheath colour	Grey
Note on materials	Free of copper and PTFE RoHS-compliant Free of halogen and phosphoric acid ester

Operating and environmental conditions		
Ambient temperature	[°C]	–20 ... +80
Note on ambient temperature	[°C]	–10 ... +40 with mounting via through-hole
Ambient temperature with flexible cable installation	[°C]	–20 ... +80
Storage temperature	[°C]	–20 ... +80
Degree of protection		IP65/IP67

Product weight									
									
2x plug socket [g]		2x cable [g/m]		Distributor [g]		Cable [g/m]		Plug connector [g]	
Connection pattern type C	20	3-wire	47	With cable outlet	10	3-wire	23.5	M8x1	4.5
				With plug connector M12x1	17			M12x1, straight	12
				With plug connector M8x1	7			M12x1, angled	12.5
				With plug socket M8x1	8			Open end	0
<p>The weights of the individual components must be added together to determine the overall weight: plug socket + length x cable + distributor + length x cable + plug connector</p> <p>Example: NEDY-L2R1-V1-C1W4L-U-3L-LE3-10R 20 g + 3x 47 g + 10 g + 10x 23.5 g + 0 g = 396 g</p>									

Y-distributor, plug socket type C, to EN 175301-803

Technical data

Wiring allocation (plug socket/plug connector view)									
Connection no. 4	Pin	Wire colour ¹⁾	Wiring allocation			Wire colour ¹⁾	Pin	Connection no. 2	
	1	BN				BN	1		
	2	BU				BU	2		
			Wire colour ¹⁾	-	BK	BU	BN		
			Pin	1	4	3	2		
			Plug connector M8x1						
									
		Plug connector M12x1							
									

1) To IEC 757

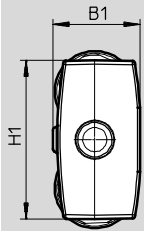
Y-distributor, plug socket type C, to EN 175301-803

Technical data

Dimensions

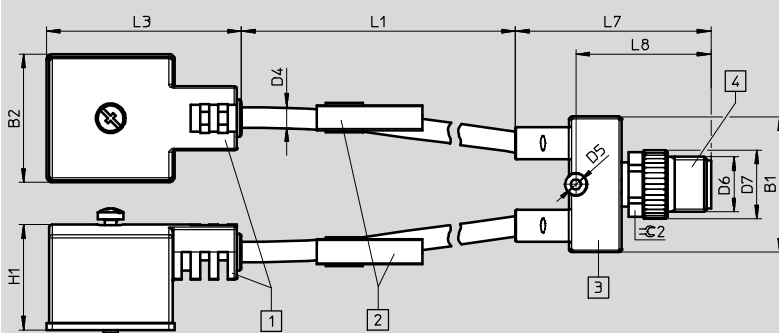
Download CAD data → www.festo.com

Distributor body front view



Distributor body front view		B1	H1
Size 1:	<ul style="list-style-type: none"> Y-distributor with cables on field device side and plug connector M8x1 	12	21
Size 2:	<ul style="list-style-type: none"> Y-distributor with cables on field device side and plug connector M12x1 Y-distributor with cables on both sides 	16.2	29.6

Y-distributor with cables on field device side



- 1 Plug socket on field device side
 2 Inscription label
 3 Distributor
 4 Plug connector on controller side

Electrical connection, controller side	B1	B2	D4 ∅	D5 ∅	D6	D7 ∅	H1	L1	L3	L7	L8	⌀ 2
Plug connector M8x1	21	16	4.5	2.2	M8	10	21.3	300 ... 30,000	30.5	35	21.6	A/F 9
Plug connector M12x1	29.6	16	4.5	2.2	M12	15	21.3	300 ... 30,000	30.5	42.7	29.5	A/F 13

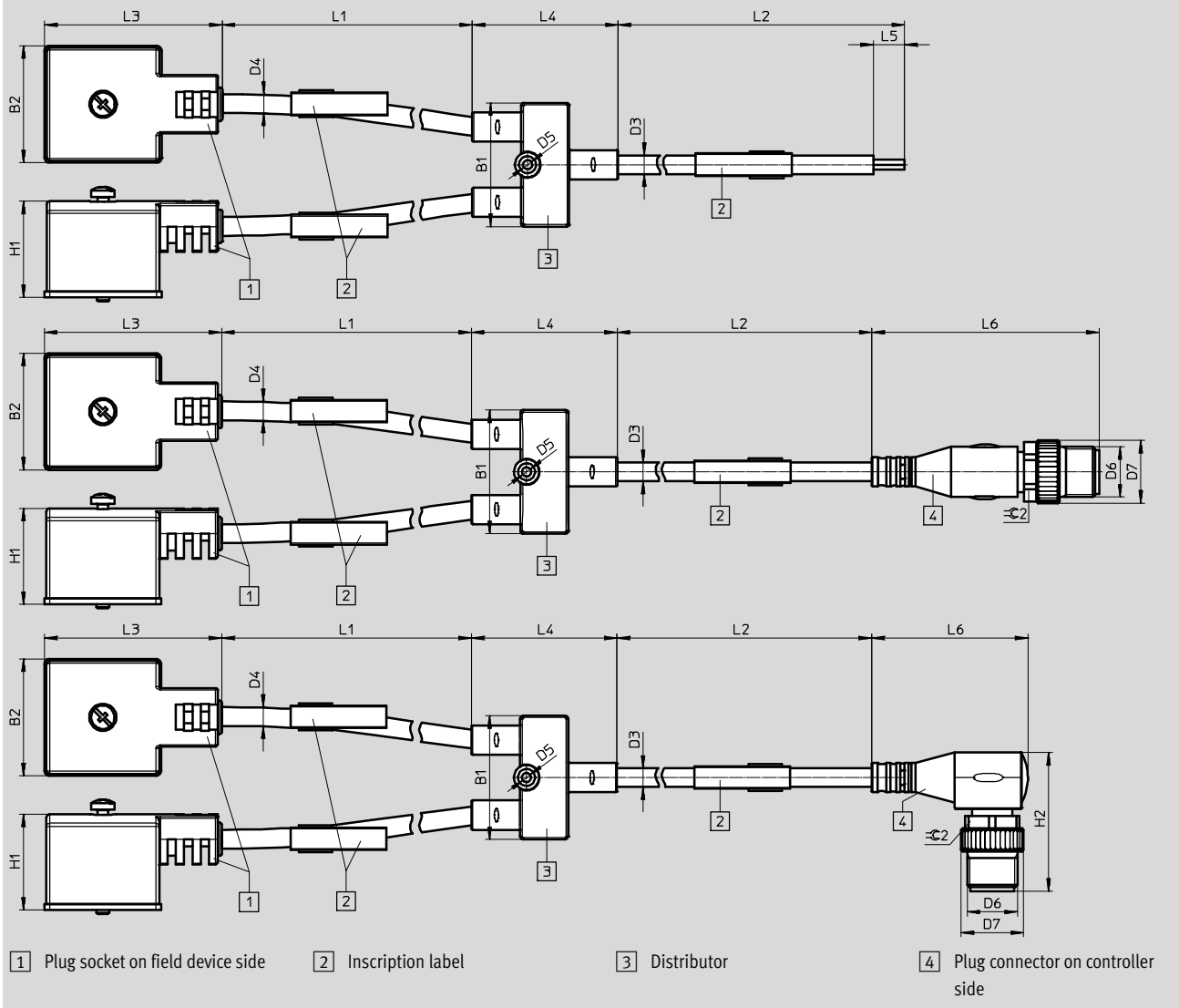
Y-distributor, plug socket type C, to EN 175301-803

Technical data

Dimensions

Download CAD data → www.festo.com

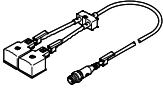
Y-distributor with cables on both sides




Electrical connection, controller side	B1	B2	D3 ∅	D4 ∅	D5 ∅	D6	H1	H2	L1	L2	L3	L4	L5	L6	≈∅ 2
Open cable end	29.6	16	4.5	4.5	2.2	-	21.3	-	(300 ... 30,000)-L2	(300 ... 30,000)-L1	30.5	34.9	50	-	-
Plug connector M8x1	29.6	16	4.5	4.5	2.2	M8	21.3	-	(300 ... 30,000)-L2	(300 ... 30,000)-L1	30.5	34.9	-	41.1	A/F 9
								24							
Plug connector M12x1	29.6	16	4.5	4.5	2.2	M12	21.3	-	(300 ... 30,000)-L2	(300 ... 30,000)-L1	30.5	34.9	-	54.5	A/F 13
								33.2							

Y-distributor, plug socket type C, to EN 175301-803

Technical data

Ordering data						
	Field device side	Controller side		Weight [g]	Part No.	Type
	Cable length [m]	Electrical connection	Cable length [m]			
Y-distributor with cables on both sides						
	0.3	Plug connector, straight, M8x1	2.5	107	8035785	NEDY-L2R1-V1-C1W4L-U-0.3L-M8G4-2.5R
			5	115	8035786	NEDY-L2R1-V1-C1W4L-U-0.3L-M8G4-5R
		Plug connector, straight, M12x1	2.5	115	8035783	NEDY-L2R1-V1-C1W4L-U-0.3L-M12G4-2.5R
			5	174	8035784	NEDY-L2R1-V1-C1W4L-U-0.3L-M12G4-5R

Ordering data – Accessories				Part No.	Type
	Mounting for T-slot	• For Y-distributor with cables on field device side and plug connector M8x1		8032868	NEAU-A-N8-1
		• For Y-distributor with cables on field device side and plug connector M12x1		8032869	NEAU-A-N8-2
		• For Y-distributor with cables on both sides			

Y-distributor, plug socket type C, to EN 175301-803

Ordering data – Modular product system

Ordering table			Condi- tions	Code	Enter code
M	Module No.	8032867			
	Distributor	Sensor/actuator distributor		NEDY	NEDY
	Distributor type	2 to 1		-L2R1	-L2R1
	Wiring allocation	Standard variant (see circuit diagram, standard)		-V1	-V1
	Connection technology on left, field device side	Plug socket type C, EN 175301-803		-C1	-C1
	Cable outlet, left	Angled		W	W
	Number of pins/wires, left	4-pin		4	4
	Indicator	Signal status LED (only for valves)		L	L
	Cable characteristics	Suitable for use with energy chains/robot applications		-U	-U
	Cable length, left [m]	0.3 ... 30	1	-...L	
O	Cable identification	With inscription label holder			
		Without inscription label holder		-N	
M	Connection technology on right, controller side	Open end		-LE	
		Plug connector M8x1, A-coded, EN 61076-2-104		-M8	
		Plug connector M12x1, A-coded, EN 61076-2-101		-M12	
O	Cable outlet, right	None	2		
		Straight	3	G	
		Angled	3	W	
M	Number of pins/wires, right	3-pin	2	3	
		4-pin	4	4	
O	Cable length, right [m]	None			
		0.3 ... 30	5	-...R	

- 1** -...L The sum of cable length, left and cable length, right must not exceed 30 m
- 2** **3** Only with connection technology on right LE
- 3** **G, W** Not in combination with connection technology on right, controller side LE
- 4** **4** Only with connection technology on right M8 or M12
- 5** -...R The sum of cable length, left and cable length, right must not exceed 30 m
Mandatory specification in combination with cable outlet, right W
Mandatory specification in combination with connection technology on right, controller side LE

- M** Mandatory data
- O** Options

Transfer order code

NEDY - **L2R1** - **V1** - **C1** **W** **4** **L** - **U** - - -

Y-distributor, plug socket type C, industry standard 9.4 mm

Type codes

NEDY - L2R1 - V1 - E1 W 4 L - U - - - - -

Function

NEDY	Distributor
------	-------------

Distributor type

L2R1	2 to 1
------	--------

Wiring allocation

V1	Standard variant
----	------------------

Connection technology on left, field device side

E1	Plug socket type C, industry standard, 9.4 mm
----	---

Cable outlet, left

W	Angled
---	--------

Number of pins/wires, left

4	4-pin
---	-------

Indicator

L	Signal status LED (only for valves)
---	-------------------------------------

Cable characteristics

U	Suitable for use with energy chains/robot applications
---	--

Cable length, left

0,3 ... 30L	0.3 ... 30 m
-------------	--------------

Cable identification

-	With inscription label holder
N	Without inscription label holder

Connection technology on right, controller side

LE	Open end
M8	Plug connector M8x1, A-coded, EN 61076-2-104
M12	Plug connector M12x1, A-coded, EN 61076-2-101

Cable outlet, right

-	None
G	Straight
W	Angled

Number of pins/wires, right

3	3-pin
4	4-pin

Cable length, right

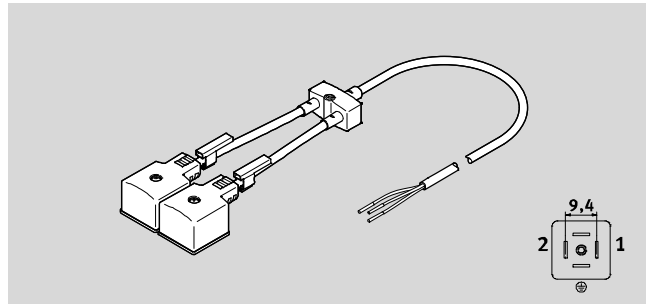
-	None
0,3 ... 30R	0.3 ... 30 m

Y-distributor, plug socket type C, industry standard 9.4 mm

Technical data

Distributor NEDY-L2R1-V1-E1

- Dual distributor
- For connecting valves



General technical data	
Design	Y-distributor
Distributor type	2 to 1
Type of mounting	Via accessories, via through-hole for M2 screw
Cable identification	Via inscription label holder (optional)
Based on standard	EN 61076-2-101, EN 61076-2-104
Electrical connection 2	
Function	Field device side
Connection type	2x plug socket
Cable outlet	Angled
Design type	Square
Connection technology	Connection pattern type C to industry standard, 9.4 mm
Number of pins/wires	4
Assigned pins/wires	2
Indicator	Yellow LED, signal status display

Technical data – Electrical				
Electrical connection 1		Plug connector M8x1	Plug connector M12x1	Open end
Operating voltage range	[V DC]	20.4 ... 27.6	20.4 ... 27.6	20.4 ... 27.6
Surge resistance	[kV]	0.8	0.8	0.8
Acceptable current load at 40°C	[A]	3	4	4
Degree of contamination		3	3	3

Technical data – Cable		
Cable diameter	[mm]	4.5
Conductor nominal cross section	[mm ²]	0.25
Cable characteristics		Suitable for use with energy chains/robot applications
Cable test conditions		Resistance to bending to Festo standard, test conditions on request, energy chain: 5 million cycles, bending radius: 28 mm, torsional strength: > 300,000 cycles, ±270°/0.1 m
Minimum bending radius with freely moveable use	[mm]	45

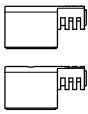
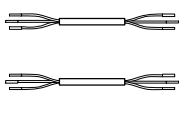
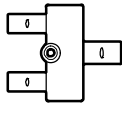


Y-distributor, plug socket type C, industry standard 9.4 mm

Technical data

Technical data – Electrical connection 1			
Function	Controller side		
Connection type	Plug connector		Open end
Cable outlet	Straight, angled	Straight, angled	–
Design type	Round	Round	–
Connection technology	M8x1, A-coded	M12x1, A-coded	–
Number of pins/wires	4	4	3
Assigned pins/wires	3	3	3
Indicator	–	–	–
Based on standard	To EN 61076-2-104	To EN 61076-2-101	–

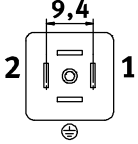
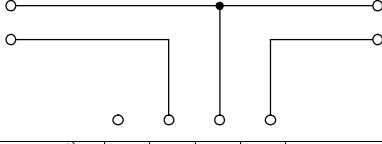
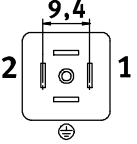
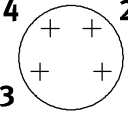
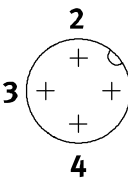
Materials	
Housing	PA, PC, TPE-U(PUR)
Housing colour	Black
Threaded sleeve	Nickel-plated brass
Seals	NBR
Pin contacts	Gold-plated copper alloy, silver-plated copper alloy
Cable sheath	TPE-U(PUR)
Cable sheath colour	Grey
Note on materials	Free of copper and PTFE
	RoHS-compliant
	Free of halogen and phosphoric acid ester

Operating and environmental conditions		
Ambient temperature	[°C]	–20 ... +80
Note on ambient temperature	[°C]	–10 ... +40 with mounting via through-hole
Ambient temperature with flexible cable installation	[°C]	–20 ... +80
Storage temperature	[°C]	–20 ... +80
Degree of protection		IP65/IP67

Product weight									
									
2x plug socket [g]		2x cable [g/m]		Distributor [g]		Cable [g/m]		Plug connector [g]	
Connection pattern type C	20	3-wire	47	With cable outlet	10	3-wire	23.5	M8x1	4.5
				With plug connector M12x1	17			M12x1, straight	12
				With plug connector M8x1	7			M12x1, angled	12.5
				With plug socket M8x1	8			Open end	0
<p>The weights of the individual components must be added together to determine the overall weight: plug socket + length x cable + distributor + length x cable + plug connector</p> <p>Example: NEDY-L2R1-V1-E1W4L-U-3L-LE3-10R 20 g + 3x 47 g + 10 g + 10x 23.5 g + 0 g = 396 g</p>									

Y-distributor, plug socket type C, industry standard 9.4 mm

Technical data

Wiring allocation (plug socket/plug connector view)									
Connection no. 4	Pin	Wire colour ¹⁾	Wiring allocation			Wire colour ¹⁾	Pin	Connection no. 2	
	1	BN				BN	1		
	2	BU				BN	2		
			Wire colour ¹⁾	-	BK	BU	BN		
			Pin	1	4	3	2		
			Plug connector M8x1						
									
		Plug connector M12x1							
									

1) To IEC 757

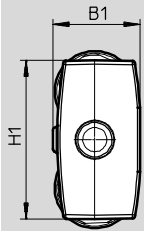
Y-distributor, plug socket type C, industry standard 9.4 mm

Technical data

Dimensions

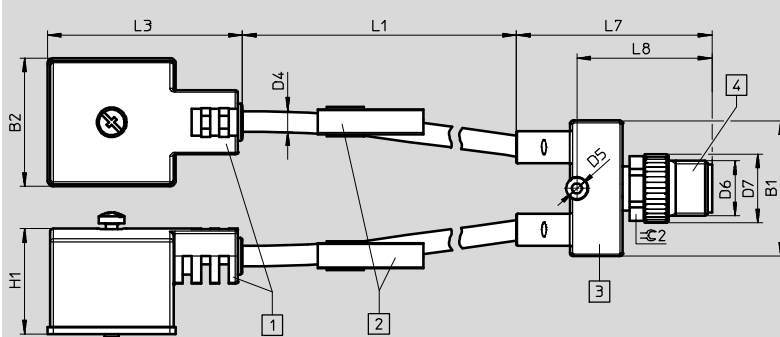
Download CAD data → www.festo.com

Distributor body front view



Distributor body front view		B1	H1
Size 1:	<ul style="list-style-type: none"> Y-distributor with cables on field device side and plug connector M8x1 	12	21
Size 2:	<ul style="list-style-type: none"> Y-distributor with cables on field device side and plug connector M12x1 Y-distributor with cables on both sides 	16.2	29.6

Y-distributor with cables on field device side



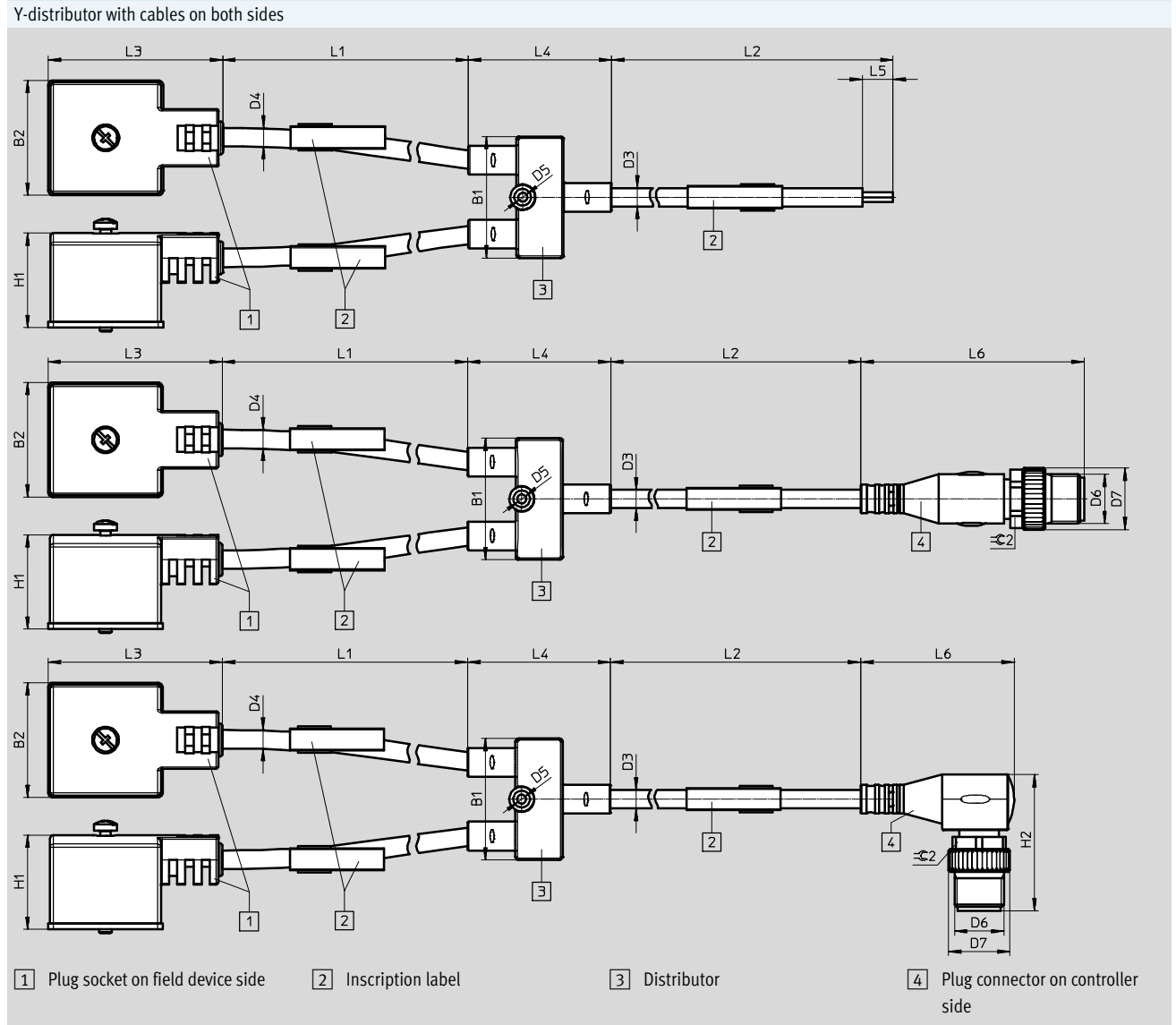
- 1 Plug socket on field device side
 2 Inscription label
 3 Distributor
 4 Plug connector on controller side

Electrical connection, controller side	B1	B2	D4 ∅	D5 ∅	D6	D7 ∅	H1	L1	L3	L7	L8	⌀ 2
Plug connector M8x1	21	16	4.5	2.2	M8	10	21.2	300 ... 30,000	30.5	35	21.6	A/F 9
Plug connector M12x1	29.6	16	4.5	2.2	M12	15	21.2	300 ... 30,000	30.5	42.7	29.5	A/F 13

Y-distributor, plug socket type C, industry standard 9.4 mm

Technical data

Dimensions Download CAD data → www.festo.com



Electrical connection, controller side	B1	B2	D3 Ø	D4 Ø	D5 Ø	D6	H1	H2	L1	L2	L3	L4	L5	L6	≈± 2	
Open cable end	29.6	16	4.5	4.5	2.2	–	21.2	–	(300 ... 30,000)-L2	(300 ... 30,000)-L1	30.5	34.9	50	–	–	
Plug connector M8x1	Straight	29.6	16	4.5	4.5	2.2	M8	21.2	–	(300 ... 30,000)-L2	(300 ... 30,000)-L1	30.5	34.9	–	41.1	A/F 9
	Angled	29.6	16	4.5	4.5	2.2	M8	21.2	24	(300 ... 30,000)-L2	(300 ... 30,000)-L1	30.5	34.9	–	26.9	A/F 9
Plug connector M12x1	Straight	29.6	16	4.5	4.5	2.2	M12	21.2	–	(300 ... 30,000)-L2	(300 ... 30,000)-L1	30.5	34.9	–	54.5	A/F 13
	Angled	29.6	16	4.5	4.5	2.2	M12	21.2	33.2	(300 ... 30,000)-L2	(300 ... 30,000)-L1	30.5	34.9	–	37.5	A/F 13

Ordering data – Accessories		Part No.	Type
	Mounting for T-slot	<ul style="list-style-type: none"> For Y-distributor with cables on field device side and plug connector M8x1 	8032868 NEAU-A-N8-1
		<ul style="list-style-type: none"> For Y-distributor with cables on field device side and plug connector M12x1 	8032869 NEAU-A-N8-2
		<ul style="list-style-type: none"> For Y-distributor with cables on both sides 	

Y-distributor, plug socket type C, industry standard 9.4 mm

Ordering data – Modular product system

Ordering table		Condi- tions	Code	Enter code
M	Module No.	8032867		
	Distributor	Sensor/actuator distributor	NEDY	NEDY
	Distributor type	2 to 1	-L2R1	-L2R1
	Wiring allocation	Standard variant (see circuit diagram, standard)	-V1	-V1
	Connection technology on left, field device side	Plug socket type C, industry standard, 9.4 mm	-E1	-E1
	Cable outlet, left	Angled	W	W
	Number of pins/wires, left	4-pin	4	4
	Indicator	Signal status LED (only for valves)	L	L
	Cable characteristics	Suitable for use with energy chains/robot applications	-U	-U
	Cable length, left [m]	0.3 ... 30	1 -...L	
O	Cable identification	With inscription label holder		
		Without inscription label holder	-N	
M	Connection technology on right, controller side	Open end	-LE	
		Plug connector M8x1, A-coded, EN 61076-2-104	-M8	
		Plug connector M12x1, A-coded, EN 61076-2-101	-M12	
O	Cable outlet, right	None	2	
		Straight	3 G	
		Angled	3 W	
M	Number of pins/wires, right	3-pin	2 3	
		4-pin	4 4	
O	Cable length, right [m]	None		
		0.3 ... 30	5 -...R	

- 1** -...L The sum of cable length, left and cable length, right must not exceed 30 m
- 2** **3** Only with connection technology on right LE
- 3** **G, W** Not in combination with connection technology on right, controller side LE
- 4** **4** Only with connection technology on right M8 or M12
- 5** -...R The sum of cable length, left and cable length, right must not exceed 30 m
Mandatory specification in combination with cable outlet, right W
Mandatory specification in combination with connection technology on right, controller side LE

- M** Mandatory data
- O** Options

Transfer order code

NEDY - **L2R1** - **V1** - **E1** **W** **4** **L** - **U** - - -

Y-distributor, plug socket connection pattern H

Type codes

NEDY - L2R1 - V1 - H1 G 3 - U - - - - -

Function

NEDY	Distributor
------	-------------

Distributor type

L2R1	2 to 1
------	--------

Wiring allocation

V1	Standard variant
----	------------------

Connection technology on left, field device side

H1	Plug socket connection pattern H
----	----------------------------------

Cable outlet, left

G	Straight
---	----------

Number of pins/wires, left

3	3-pin
---	-------

Cable characteristics

U	Suitable for use with energy chains/robot applications
---	--

Cable length, left

0,3 ... 30L	0.3 ... 30 m
-------------	--------------

Cable identification

-	With inscription label holder
N	Without inscription label holder

Connection technology on right, controller side

LE	Open end
M8	Plug connector M8x1, A-coded, EN 61076-2-104
M12	Plug connector M12x1, A-coded, EN 61076-2-101

Cable outlet, right

-	None
G	Straight
W	Angled

Number of pins/wires, right

3	3-pin
4	4-pin

Cable length, right

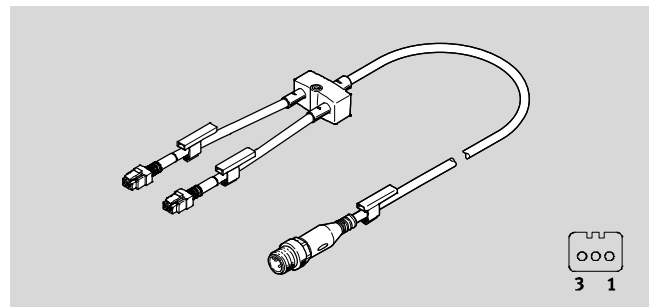
-	None
0,3 ... 30R	0.3 ... 30 m

Y-distributor, plug socket connection pattern H

Technical data

Distributor NEDY-L2R1-V1-H1

- Dual distributor
- For connecting valves



General technical data	
Design	Y-distributor
Distributor type	2 to 1
Type of mounting	Via accessories, via through-hole for M2 screw
Cable identification	Via inscription label holder (optional)
Based on standard	EN 61076-2-101, EN 61076-2-104
Electrical connection 2	
Function	Field device side
Connection type	2x plug socket
Cable outlet	Straight
Design type	Square
Connection technology	Connection pattern H
Number of pins/wires	3
Assigned pins/wires	2
Indicator	–

Technical data – Electrical		
Operating voltage range	[V DC]	0 ... 30
Surge resistance	[kV]	0.8
Acceptable current load at 40°C	[A]	3
Degree of contamination		3

Technical data – Cable		
	Field device side	Controller side
Cable diameter	[mm] 3.4	4.5
Conductor nominal cross section	[mm ²] 0.14	0.25
Cable characteristics	Standard	Suitable for use with energy chains/robot applications
Cable test conditions	Resistance to bending: to Festo standard; test conditions on request <ul style="list-style-type: none"> • Resistance to bending: 10,000 cycles • Torsional strength: > 300,000 cycles, ±270°/0.1 m 	Resistance to bending: to Festo standard; test conditions on request <ul style="list-style-type: none"> • Energy chain: 5 million cycles, bending radius 28 mm • Torsional strength: > 300,000 cycles, ±270°/0.1 m
Minimum bending radius with freely moveable use	[mm] 34	45

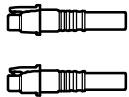
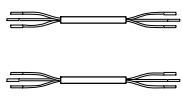
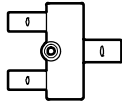
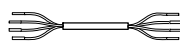
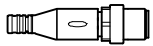
Y-distributor, plug socket connection pattern H

Technical data

Technical data – Electrical connection 1			
Function	Controller side		
Connection type	Plug connector		Open end
Cable outlet	Straight, angled	Straight, angled	–
Design type	Round	Round	–
Connection technology	M8x1, A-coded	M12x1, A-coded	–
Number of pins/wires	4	4	3
Assigned pins/wires	3	3	3
Indicator	–	–	–
Based on standard	To EN 61076-2-104	To EN 61076-2-101	–

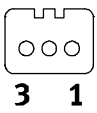
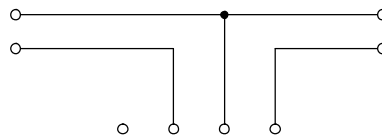
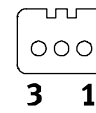
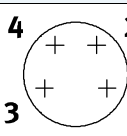
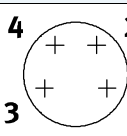
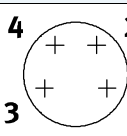
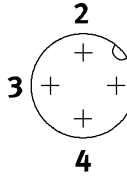
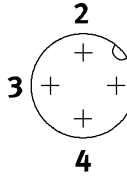
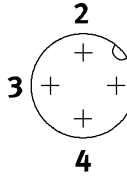
Materials	
Housing	PA, POM, TPE-U(PUR)
Housing colour	Black
Threaded sleeve	Nickel-plated brass
Seals	NBR
Pin contacts	Gold-plated copper alloy, tin-plated copper alloy
Cable sheath	TPE-U(PUR)
Cable sheath colour	Grey
Note on materials	Free of copper and PTFE RoHS-compliant

Operating and environmental conditions		
Ambient temperature	[°C]	–20 ... +80
Note on ambient temperature	[°C]	–10 ... +40 with mounting via through-hole temperature
Ambient temperature with flexible cable installation	[°C]	–5 ... +70
Storage temperature	[°C]	–20 ... +70
Degree of protection		IP40

Product weight									
									
2x plug socket [g]		2x cable [g/m]		Distributor [g]		Cable [g/m]		Plug connector [g]	
Connection pattern H	2	2-wire	31	With cable outlet	10	3-wire	23.5	M8x1	4.5
				With plug connector M12x1	17			M12x1, straight	12
				With plug connector M8x1	7			M12x1, angled	12.5
				With plug socket M8x1	8			Open end	0
<p>The weights of the individual components must be added together to determine the overall weight: plug socket + length x cable + distributor + length x cable + plug connector</p> <p>Example: NEDY-L2R1-V1-H1G3-U-3L-LE3-10R 2 g + 3x 31 g + 10 g + 10x 23.5 g + 0 g = 340 g</p>									

Y-distributor, plug socket connection pattern H

Technical data

Wiring allocation (plug socket/plug connector view)																
Connection no. 4	Pin	Wire colour ¹⁾	Wiring allocation	Wire colour ¹⁾	Pin	Connection no. 2										
	1	RD		RD	1											
	2	-		-	2											
	3	BK		BK	3											
			<table border="1"> <tr> <th>Wire colour¹⁾</th> <td>-</td> <td>BK</td> <td>BU</td> <td>BN</td> <td></td> </tr> <tr> <th>Pin</th> <td>1</td> <td>4</td> <td>3</td> <td>2</td> <td></td> </tr> </table>	Wire colour ¹⁾	-		BK	BU	BN		Pin	1	4	3	2	
Wire colour ¹⁾	-	BK	BU	BN												
Pin	1	4	3	2												
		<table border="1"> <tr> <th colspan="6">Plug connector M8x1</th> </tr> <tr> <td colspan="2"></td> <td colspan="2">  </td> <td colspan="2"></td> </tr> </table>	Plug connector M8x1													
Plug connector M8x1																
																
		<table border="1"> <tr> <th colspan="6">Plug connector M12x1</th> </tr> <tr> <td colspan="2"></td> <td colspan="2">  </td> <td colspan="2"></td> </tr> </table>	Plug connector M12x1													
Plug connector M12x1																
																

1) To IEC 757

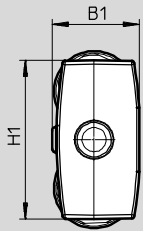
Y-distributor, plug socket connection pattern H

Technical data

Dimensions

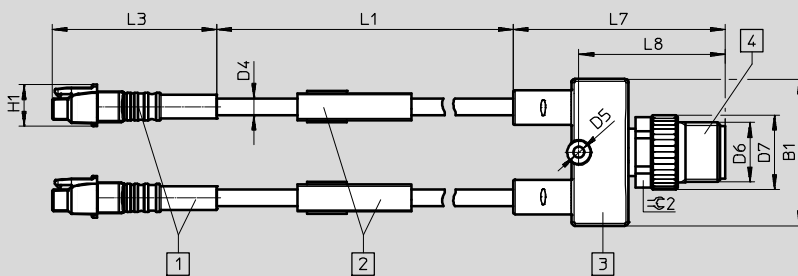
Download CAD data → www.festo.com

Distributor body front view



Distributor body front view		B1	H1
Size 1:	• Y-distributor with cables on field device side and plug connector M8x1	12	21
Size 2:	• Y-distributor with cables on field device side and plug connector M12x1 • Y-distributor with cables on both sides	16.2	29.6

Y-distributor with cables on field device side



- 1 Plug socket on field device side
- 2 Inscription label
- 3 Distributor
- 4 Plug connector on controller side

Electrical connection, controller side	B1	D4 ∅	D5 ∅	D6	D7 ∅	H1	L1	L3	L7	L8	±0.2
Plug connector M8x1	21	3.4	2.2	M8	10	8.4	300 ... 30,000	33.2	35	21.6	A/F 9
Plug connector M12x1	29.6	3.4	2.2	M12	15	8.4	300 ... 30,000	33.2	42.7	29.5	A/F 13

Y-distributor, plug socket connection pattern H

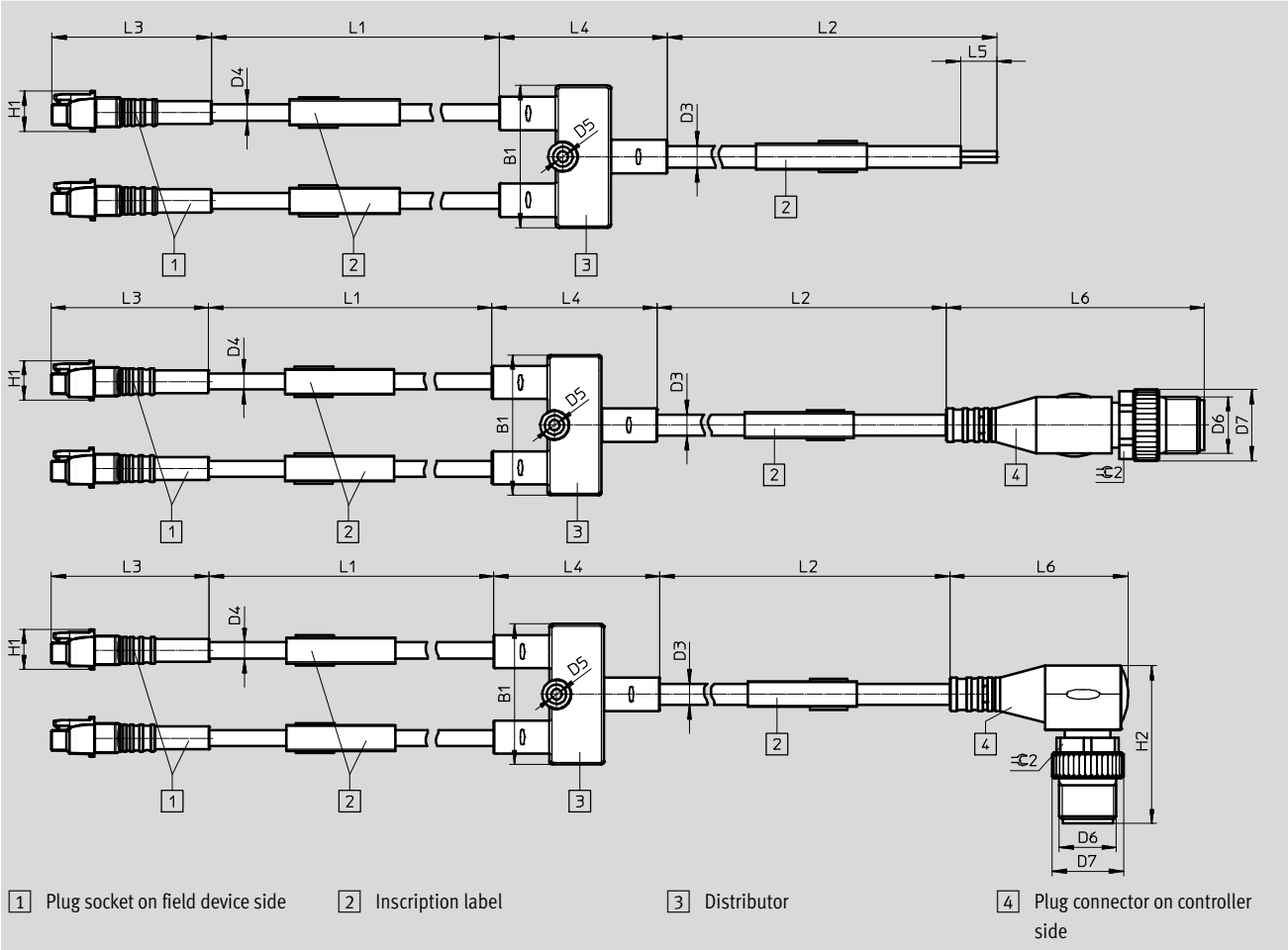
Technical data

FESTO

Dimensions

Download CAD data → www.festo.com

Y-distributor with cables on both sides



Electrical connection, controller side	B1	D3 ∅	D4 ∅	D5 ∅	D6	H1	H2	L1	L2	L3	L4	L5	L6	⊖ 2
Open cable end	29.6	4.5	3.4	2.2	-	8.4	-	(300 ... 30,000)-L2	(300 ... 30,000)-L1	33.2	34.9	50	-	-
Plug connector M8x1	Straight	29.6	4.5	3.4	2.2	M8	8.4	(300 ... 30,000)-L2	(300 ... 30,000)-L1	33.2	34.9	-	41.1	A/F 9
	Angled	29.6	4.5	3.4	2.2	M8	8.4	(300 ... 30,000)-L2	(300 ... 30,000)-L1	33.2	34.9	-	26.9	A/F 9
Plug connector M12x1	Straight	29.6	4.5	3.4	2.2	M12	8.4	(300 ... 30,000)-L2	(300 ... 30,000)-L1	33.2	34.9	-	54.5	A/F 13
	Angled	29.6	4.5	3.4	2.2	M12	8.4	(300 ... 30,000)-L2	(300 ... 30,000)-L1	33.2	34.9	-	37.5	A/F 13

Ordering data – Accessories

		Part No.	Type
	Mounting for T-slot	<ul style="list-style-type: none"> For Y-distributor with cables on field device side and plug connector M8x1 	8032868 NEAU-A-N8-1
		<ul style="list-style-type: none"> For Y-distributor with cables on field device side and plug connector M12x1 	8032869 NEAU-A-N8-2
		<ul style="list-style-type: none"> For Y-distributor with cables on both sides 	

Y-distributor, plug socket connection pattern H

Ordering data – Modular product system

Ordering table		Condi- tions	Code	Enter code
M	Module No.	8032867		
	Distributor	Sensor/actuator distributor	NEDY	NEDY
	Distributor type	2 to 1	-L2R1	-L2R1
	Wiring allocation	Standard variant (see circuit diagram, standard)	-V1	-V1
	Connection technology on left, field device side	Plug socket connection pattern H	-H1	-H1
	Cable outlet, left	Straight	G	G
	Number of pins/wires, left	3-pin	3	3
	Cable characteristics	Suitable for use with energy chains/robot applications	-U	-U
	Cable length, left [m]	0.3 ... 30	1 -...L	
O	Cable identification	With inscription label holder		
		Without inscription label holder	-N	
M	Connection technology on right, controller side	Open end	-LE	
		Plug connector M8x1, A-coded, EN 61076-2-104	-M8	
		Plug connector M12x1, A-coded, EN 61076-2-101	-M12	
O	Cable outlet, right	None	2	
		Straight	3 G	
		Angled	3 W	
M	Number of pins/wires, right	3-pin	2 3	
		4-pin	4 4	
O	Cable length, right [m]	None		
		0.3 ... 30	5 -...R	

- 1** -...L The sum of cable length, left and cable length, right must not exceed 30 m
- 2** **3** Only with connection technology on right LE
- 3** **G, W** Not in combination with connection technology on right, controller side LE
- 4** **4** Only with connection technology on right M8 or M12
- 5** -...R The sum of cable length, left and cable length, right must not exceed 30 m
Mandatory specification in combination with cable outlet, right W
Mandatory specification in combination with connection technology on right, controller side LE

- M** Mandatory data
- O** Options

Transfer order code

NEDY - **L2R1** - **V1** - **H1** **G** **3** - **U** - - -

Y-distributor, plug socket connection pattern ZB, self-tapping screw

Type codes

NEDY - L2R1 - V1 - Z1 W 2 L - U - - - - -

Function

NEDY	Distributor
------	-------------

Distributor type

L2R1	2 to 1
------	--------

Wiring allocation

V1	Standard variant
----	------------------

Connection technology on left, field device side

Z1	Plug socket connection pattern ZB, self-tapping screw
----	---

Cable outlet, left

W	Angled
---	--------

Number of pins/wires, left

2	2-pin
---	-------

Indicator

L	Signal status LED (only for valves)
---	-------------------------------------

Cable characteristics

U	Suitable for use with energy chains/robot applications
---	--

Cable length, left

0,3 ... 30L	0.3 ... 30 m
-------------	--------------

Cable identification

-	With inscription label holder
N	Without inscription label holder

Connection technology on right, controller side

LE	Open end
M8	Plug connector M8x1, A-coded, EN 61076-2-104
M12	Plug connector M12x1, A-coded, EN 61076-2-101

Cable outlet, right

-	None
G	Straight
W	Angled

Number of pins/wires, right

3	3-pin
4	4-pin

Cable length, right

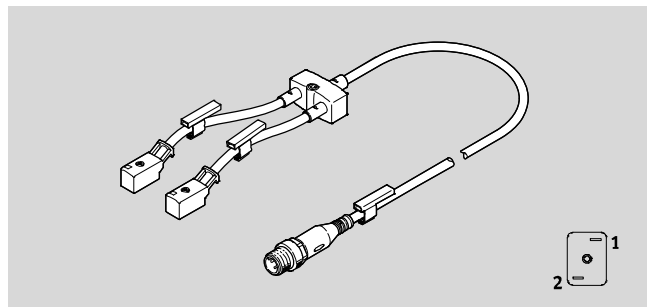
-	None
0,3 ... 30R	0.3 ... 30 m

Y-distributor, plug socket connection pattern ZB, self-tapping screw

Technical data

Distributor NEDY-L2R1-V1-Z1

- Dual distributor
- For connecting valves



General technical data	
Design	Y-distributor
Distributor type	2 to 1
Type of mounting	Via accessories, via through-hole for M2 screw
Cable identification	Via inscription label holder (optional)
Based on standard	EN 61076-2-101, EN 61076-2-104
Electrical connection 2	
Function	Field device side
Connection type	2x plug socket
Cable outlet	Angled
Design type	Square
Connection technology	Connection pattern ZB, self-tapping screw
Number of pins/wires	2
Assigned pins/wires	2
Indicator	Yellow LED, signal status display

Technical data – Electrical		
Operating voltage range	[V DC]	20.4 ... 26.4
Surge resistance	[kV]	0.8
Acceptable current load at 40°C	[A]	1
Degree of contamination		3

Technical data – Cable		
	Field device side	Controller side
Cable diameter	[mm] 3.4	4.5
Conductor nominal cross section	[mm ²] 0.25	0.25
Cable characteristics	Standard	Suitable for use with energy chains/robot applications
Cable test conditions	Resistance to bending: to Festo standard; test conditions on request <ul style="list-style-type: none"> • Energy chain: 1.5 million cycles, bending radius 75 mm • Resistance to bending: 20,000 cycles 	Resistance to bending: to Festo standard; test conditions on request <ul style="list-style-type: none"> • Energy chain: 5 million cycles, bending radius 28 mm • Torsional strength: > 300,000 cycles, ±270°/0.1 m
Minimum bending radius with freely moveable use	[mm] 34	45

Y-distributor, plug socket connection pattern ZB, self-tapping screw

Technical data

Technical data – Electrical connection 1			
Function	Controller side		
Connection type	Plug connector		Open end
Cable outlet	Straight, angled	Straight, angled	–
Design type	Round	Round	–
Connection technology	M8x1, A-coded	M12x1, A-coded	–
Number of pins/wires	4	4	3
Assigned pins/wires	3	3	3
Indicator	–	–	–
Based on standard	To EN 61076-2-104	To EN 61076-2-101	–


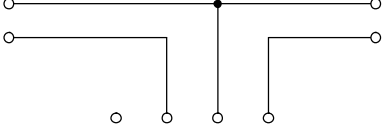

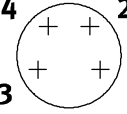
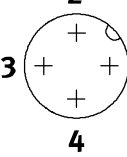
Materials	
Housing	PA, TPE-U(PUR)
Housing colour	Black
Threaded sleeve	Nickel-plated brass
Seals	NBR, TPE-O
Pin contacts	Gold-plated copper alloy, tin-plated copper alloy
Cable sheath	TPE-U(PUR)
Cable sheath colour	Grey
Note on materials	Free of copper and PTFE RoHS-compliant

Operating and environmental conditions		
Ambient temperature	[°C]	–10 ... +50
Note on ambient temperature	[°C]	–10 ... +40 with mounting via through-hole temperature
Ambient temperature with flexible cable installation	[°C]	–5 ... +50
Storage temperature	[°C]	–10 ... +50
Degree of protection		IP65

Product weight									
2x plug socket [g]		2x cable [g/m]		Distributor [g]		Cable [g/m]		Plug connector [g]	
Connection pattern	5	2-wire	31	With cable outlet	10	3-wire	23.5	M8x1	4.5
ZB				With plug connector M12x1	17			M12x1, straight	12
				With plug connector M8x1	7			M12x1, angled	12.5
				With plug socket M8x1	8			Open end	0
<p>The weights of the individual components must be added together to determine the overall weight: plug socket + length x cable + distributor + length x cable + plug connector</p> <p>Example: NEDY-L2R1-V1-Z1W2L-U-3L-LE3-10R 5 g + 3x 31 g + 10 g + 10x 23.5 g + 0 g = 343 g</p>									

Y-distributor, plug socket connection pattern ZB, self-tapping screw

Technical data

Wiring allocation (plug socket/plug connector view)									
Connection no. 4	Pin	Wire colour ¹⁾	Wiring allocation			Wire colour ¹⁾	Pin	Connection no. 2	
	1	BK				BK	1		
	2	BK				BK	2		
			Wire colour ¹⁾	-	BK	BU	BN		
			Pin	1	4	3	2		
			Plug connector M8x1						
									
		Plug connector M12x1							
									

1) To IEC 757

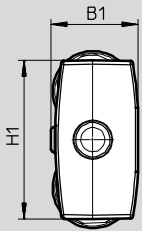
Y-distributor, plug socket connection pattern ZB, self-tapping screw

Technical data

Dimensions

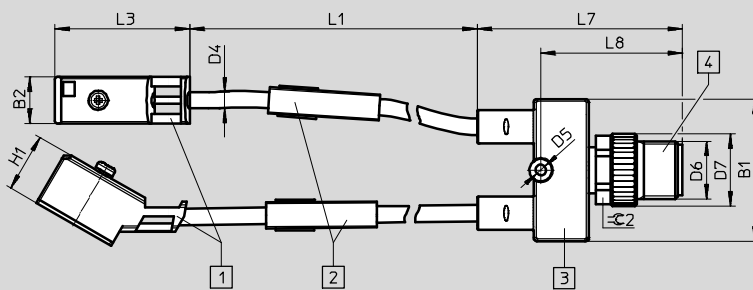
Download CAD data → www.festo.com

Distributor body front view



Distributor body front view		B1	H1
Size 1:	<ul style="list-style-type: none"> Y-distributor with cables on field device side and plug connector M8x1 	12	21
Size 2:	<ul style="list-style-type: none"> Y-distributor with cables on field device side and plug connector M12x1 Y-distributor with cables on both sides 	16.2	29.6

Y-distributor with cables on field device side



- 1 Plug socket on field device side
 2 Inscription label
 3 Distributor
 4 Plug connector on controller side

Electrical connection, controller side	B1	B2	D4 ∅	D5 ∅	D6	D7 ∅	H1	L1	L3	L7	L8	≈ 2
Plug connector M8x1	21	9.7	3.4	2.2	M8	10	11.3	300 ... 30,000	28.4	35	21.6	A/F 9
Plug connector M12x1	29.6	9.7	3.4	2.2	M12	15	11.3	300 ... 30,000	28.4	42.7	29.5	A/F 13

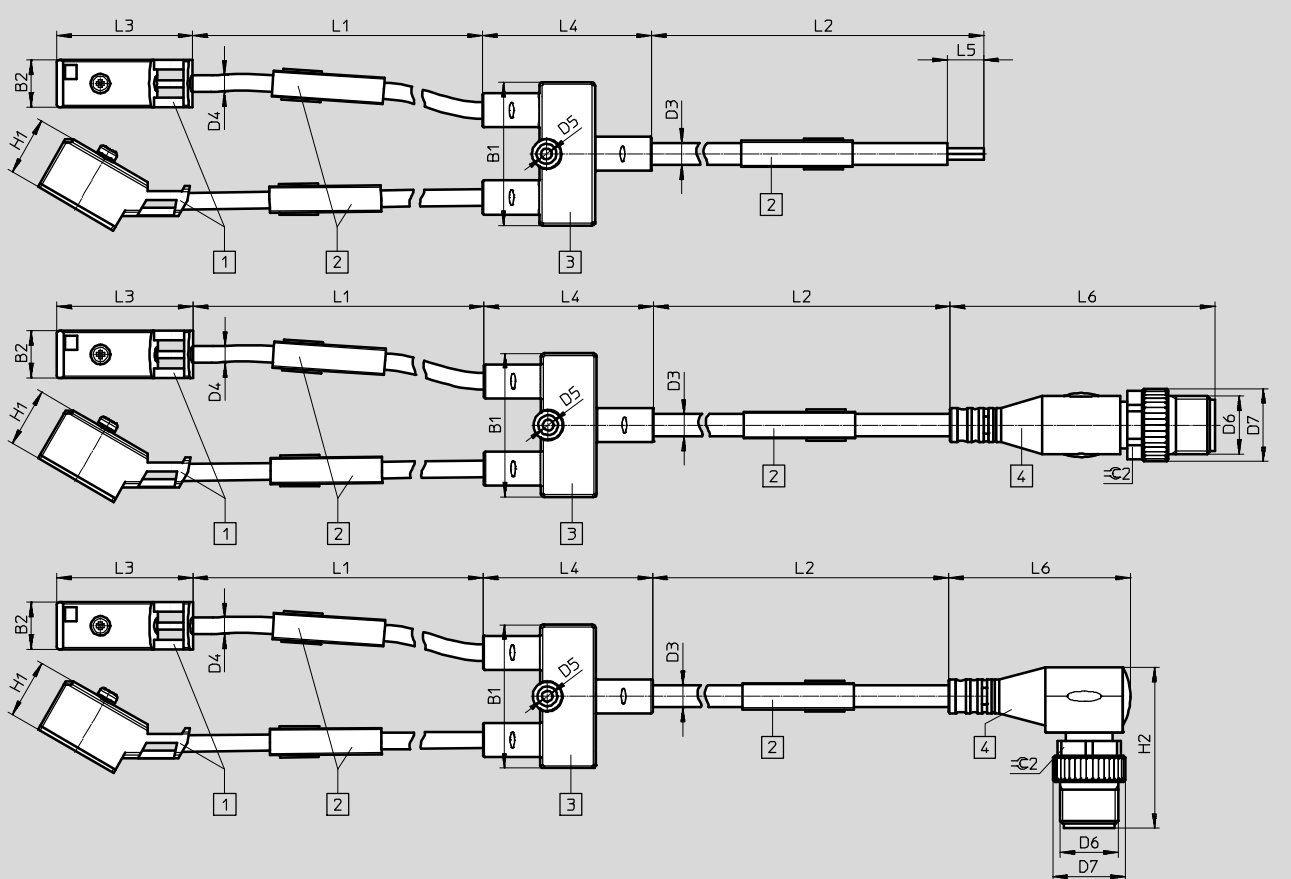
Y-distributor, plug socket connection pattern ZB, self-tapping screw

Technical data

Dimensions

Download CAD data → www.festo.com

Y-distributor with cables on both sides



- 1 Plug socket on field device side
- 2 Inscription label
- 3 Distributor
- 4 Plug connector on controller side

Electrical connection, controller side	B1	B2	D3 ∅	D4 ∅	D5 ∅	D6	H1	H2	L1	L2	L3	L4	L5	L6	∅C2
Open cable end	29.6	9.7	4.5	3.4	2.2	-	11.3	-	(300 ... 30,000)·L2	(300 ... 30,000)·L1	28.4	34.9	50	-	-
Plug connector M8x1	29.6	9.7	4.5	3.4	2.2	M8	11.3	-	(300 ... 30,000)·L2	(300 ... 30,000)·L1	28.4	34.9	-	41.1	A/F 9
								24					-		
Plug connector M12x1	29.6	9.7	4.5	3.4	2.2	M12	11.3	-	(300 ... 30,000)·L2	(300 ... 30,000)·L1	28.4	34.9	-	54.5	A/F 13
								33.2					-		

Ordering data – Accessories

			Part No.	Type
	Mounting for T-slot	<ul style="list-style-type: none"> For Y-distributor with cables on field device side and plug connector M8x1 	8032868	NEAU-A-N8-1
		<ul style="list-style-type: none"> For Y-distributor with cables on field device side and plug connector M12x1 	8032869	NEAU-A-N8-2
		<ul style="list-style-type: none"> For Y-distributor with cables on both sides 		

Y-distributor, plug socket connection pattern ZB, self-tapping screw

Ordering data – Modular product system

Ordering table		Condi- tions	Code	Enter code
M	Module No.	8032867		
	Distributor	Sensor/actuator distributor	NEDY	NEDY
	Distributor type	2 to 1	-L2R1	-L2R1
	Wiring allocation	Standard variant (see circuit diagram, standard)	-V1	-V1
	Connection technology on left, field device side	Plug socket connection pattern ZB, self-tapping screw	-Z1	-Z1
	Cable outlet, left	Angled	W	W
	Number of pins/wires, left	2-pin	2	2
	Indicator	Signal status LED (only for valves)	L	L
	Cable characteristics	Suitable for use with energy chains/robot applications	-U	-U
	Cable length, left [m]	0.3 ... 30	1 -...L	
O	Cable identification	With inscription label holder		
		Without inscription label holder	-N	
M	Connection technology on right, controller side	Open end	-LE	
		Plug connector M8x1, A-coded, EN 61076-2-104	-M8	
		Plug connector M12x1, A-coded, EN 61076-2-101	-M12	
O	Cable outlet, right	None	2	
		Straight	3 G	
		Angled	3 W	
M	Number of pins/wires, right	3-pin	2 3	
		4-pin	4 4	
O	Cable length, right [m]	None		
		0.3 ... 30	5 -...R	

- 1** -...L The sum of cable length, left and cable length, right must not exceed 30 m
- 2** **3** Only with connection technology on right LE
- 3** **G, W** Not in combination with connection technology on right, controller side LE
- 4** **4** Only with connection technology on right M8 or M12
- 5** -...R The sum of cable length, left and cable length, right must not exceed 30 m
Mandatory specification in combination with cable outlet, right W
Mandatory specification in combination with connection technology on right, controller side LE

- M** Mandatory data
- O** Options

Transfer order code

NEDY - **L2R1** - **V1** - **Z1** **W** **2** **L** - **U** - - -

Y-distributor, plug socket connection pattern ZC, self-tapping screw

Type codes

NEDY - L2R1 - V1 - Z3 W 2 Z - U - - - - -

Function

NEDY	Distributor
------	-------------

Distributor type

L2R1	2 to 1
------	--------

Wiring allocation

V1	Standard variant
----	------------------

Connection technology on left, field device side

Z3	Plug socket connection pattern ZC, self-tapping screw
----	---

Cable outlet, left

W	Angled
---	--------

Number of pins/wires, left

2	2-pin
---	-------

Indicator

Z	Signal status, holding current reduction LED (only for valves without holding current reduction)
---	--

Cable characteristics

U	Suitable for use with energy chains/robot applications
---	--

Cable length, left

0,3 ... 30L	0.3 ... 30 m
-------------	--------------

Cable identification

-	With inscription label holder
N	Without inscription label holder

Connection technology on right, controller side

LE	Open end
M8	Plug connector M8x1, A-coded, EN 61076-2-104
M12	Plug connector M12x1, A-coded, EN 61076-2-101

Cable outlet, right

-	None
G	Straight
W	Angled

Number of pins/wires, right

3	3-pin
4	4-pin

Cable length, right

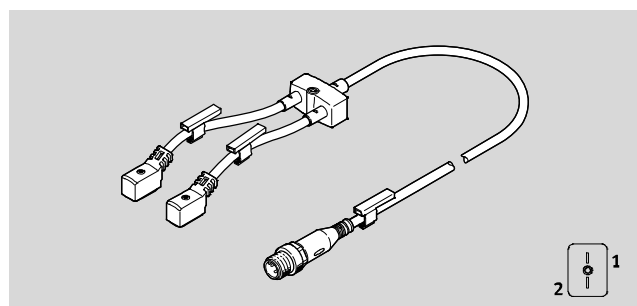
-	None
0,3 ... 30R	0.3 ... 30 m

Y-distributor, plug socket connection pattern ZC, self-tapping screw

Technical data

Distributor NEDY-L2R1-V1-Z3

- Dual distributor
- With LED indicator for signal status and holding current reduction for connecting valves without holding current reduction



General technical data	
Design	Y-distributor
Distributor type	2 to 1
Type of mounting	Via accessories, via through-hole for M2 screw
Cable identification	Via inscription label holder (optional)
Based on standard	EN 61076-2-101, EN 61076-2-104
Electrical connection 2	
Function	Field device side
Connection type	2x plug socket
Cable outlet	Angled
Design type	Square
Connection technology	Connection pattern ZC, self-tapping screw
Number of pins/wires	2
Assigned pins/wires	2
Indicator	Yellow LED, signal status display
Additional function	Holding current reduction

Technical data – Electrical		
Operating voltage range	[V DC]	20.4 ... 26.4
Surge resistance	[kV]	0.8
Acceptable current load at 40 °C	[A]	1
Degree of contamination		3

Technical data – Cable		
	Field device side	Controller side
Cable diameter	[mm] 2.9	4.5
Conductor nominal cross section	[mm ²] 0.14	0.25
Cable characteristics	Suitable for use with energy chains/robot applications	Suitable for use with energy chains/robot applications
Cable test conditions	Resistance to bending: to Festo standard; test conditions on request • Energy chain: 5 million cycles, bending radius 28 mm • Torsional strength: > 300,000 cycles, ±270°/0.1 m	Resistance to bending: to Festo standard; test conditions on request • Energy chain: 5 million cycles, bending radius 28 mm • Torsional strength: > 300,000 cycles, ±270°/0.1 m
Minimum bending radius with freely moveable use	[mm] 29	45

Y-distributor, plug socket connection pattern ZC, self-tapping screw

Technical data

Technical data – Electrical connection 1			
Function	Controller side		
Connection type	Plug connector		Open end
Cable outlet	Straight, angled	Straight, angled	–
Design type	Round	Round	–
Connection technology	M8x1, A-coded	M12x1, A-coded	–
Number of pins/wires	4	4	3
Assigned pins/wires	3	3	3
Indicator	–	–	–
Based on standard	To EN 61076-2-104	To EN 61076-2-101	–

Materials	
Housing	PA, TPE-U(PUR)
Housing colour	Black
Threaded sleeve	Nickel-plated brass
Pin contacts	Gold-plated copper alloy, tin-plated copper alloy
Cable sheath	TPE-U(PUR)
Cable sheath colour	Grey
Note on materials	Free of copper and PTFE
	RoHS-compliant

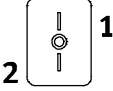
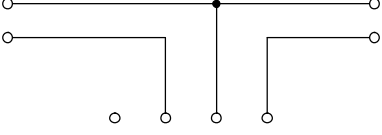
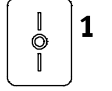
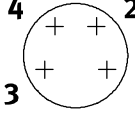
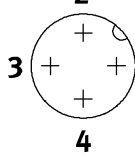
Operating and environmental conditions		
Ambient temperature	[°C]	–10 ... +50
Note on ambient temperature	[°C]	–10 ... +40 with mounting via through-hole temperature
Ambient temperature with flexible cable installation	[°C]	–5 ... +50
Storage temperature	[°C]	–10 ... +50
CE marking (see declaration of conformity)		To EU EMC Directive ¹⁾
Certification		RCM mark
Degree of protection		IP65
Corrosion resistance class CRC ²⁾		3

- For information about the applicability of the component see the manufacturer's EC declaration of conformity at: www.festo.com/sp → Certificates.
If the component is subject to restrictions on usage in residential, office or commercial environments or small businesses, further measures to reduce the emitted interference may be necessary.
- Corrosion resistance class CRC 3 to Festo standard FN 940070
High corrosion stress. Outdoor exposure under moderate corrosive conditions. External visible parts with primarily functional requirements for the surface and which are in direct contact with a normal industrial environment.

Product weight									
2x plug socket [g]		2x cable [g/m]		Distributor [g]		Cable [g/m]		Plug connector [g]	
Connection pattern	5	2-wire	21	With cable outlet	10	3-wire	23.5	M8x1	4.5
ZC				With plug connector M12x1	17			M12x1, straight	12
				With plug connector M8x1	7			M12x1, angled	12.5
				With plug socket M8x1	8			Open end	0
<p>The weights of the individual components must be added together to determine the overall weight: plug socket + length x cable + distributor + length x cable + plug connector</p> <p>Example: NEDY-L2R1-V1-Z3W2Z-U-3L-LE3-10R 5 g + 3x 31 g + 10 g + 10x 23.5 g + 0 g = 343 g</p>									

Y-distributor, plug socket connection pattern ZC, self-tapping screw

Technical data

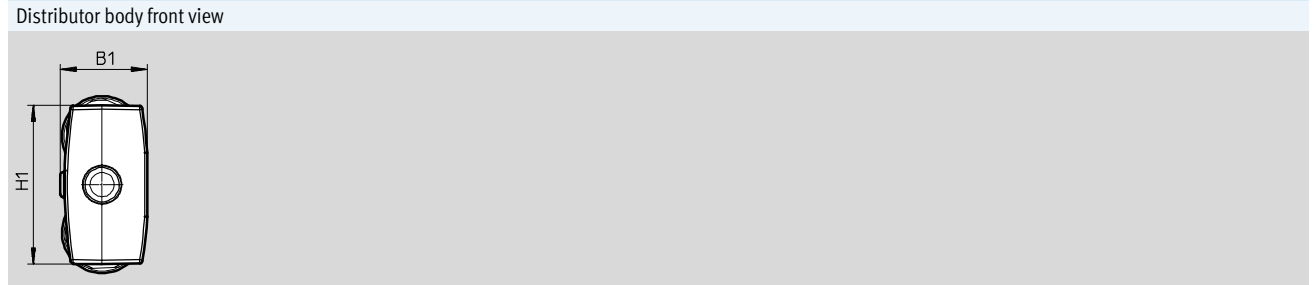
Wiring allocation (plug socket/plug connector view)								
Connection no. 4	Pin	Wire colour ¹⁾	Wiring allocation	Wire colour ¹⁾	Pin	Connection no. 2		
	1	BK		BK	1			
	2	BK		BK	2			
	Wire colour ¹⁾		-	BK	BU		BN	
	Pin		1	4	3		2	
	Plug connector M8x1							
								
Plug connector M12x1								
								

1) To IEC 757

Y-distributor, plug socket connection pattern ZC, self-tapping screw

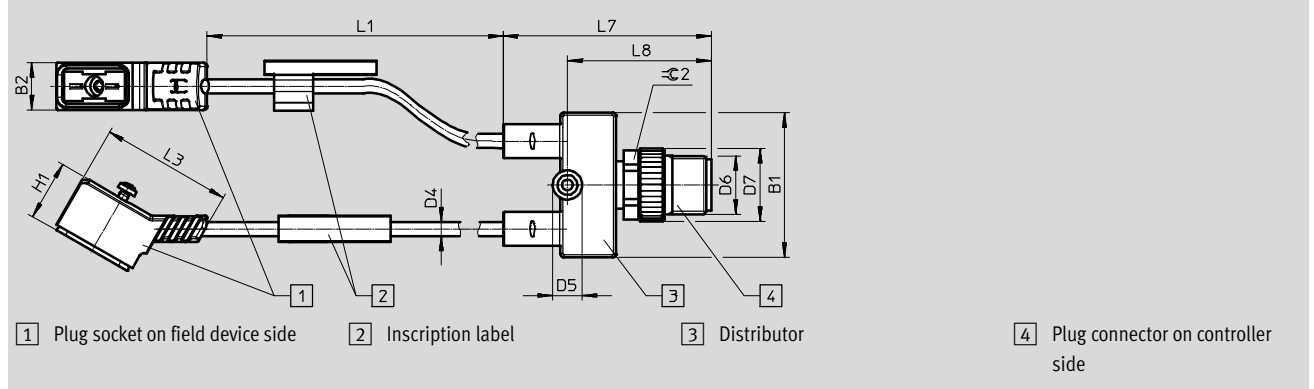
Technical data

Dimensions Download CAD data → www.festo.com



Distributor body front view		B1	H1
Size 1:	<ul style="list-style-type: none"> Y-distributor with cables on field device side and plug connector M8x1 	12	21
Size 2:	<ul style="list-style-type: none"> Y-distributor with cables on field device side and plug connector M12x1 Y-distributor with cables on both sides 	16.2	29.6

Y-distributor with cables on field device side



Electrical connection, controller side	B1	B2	D4 Ø	D5 Ø	D6	D7 Ø	H1	L1	L3	L7	L8	∠ 2
Plug connector M8x1	21	9.7	2.9	2.2	M8	10	12	300 ... 30,000	26.9	35	21.6	A/F 9
Plug connector M12x1	29.6	9.7	2.9	2.2	M12	15	12	300 ... 30,000	26.9	42.7	29.5	A/F 13

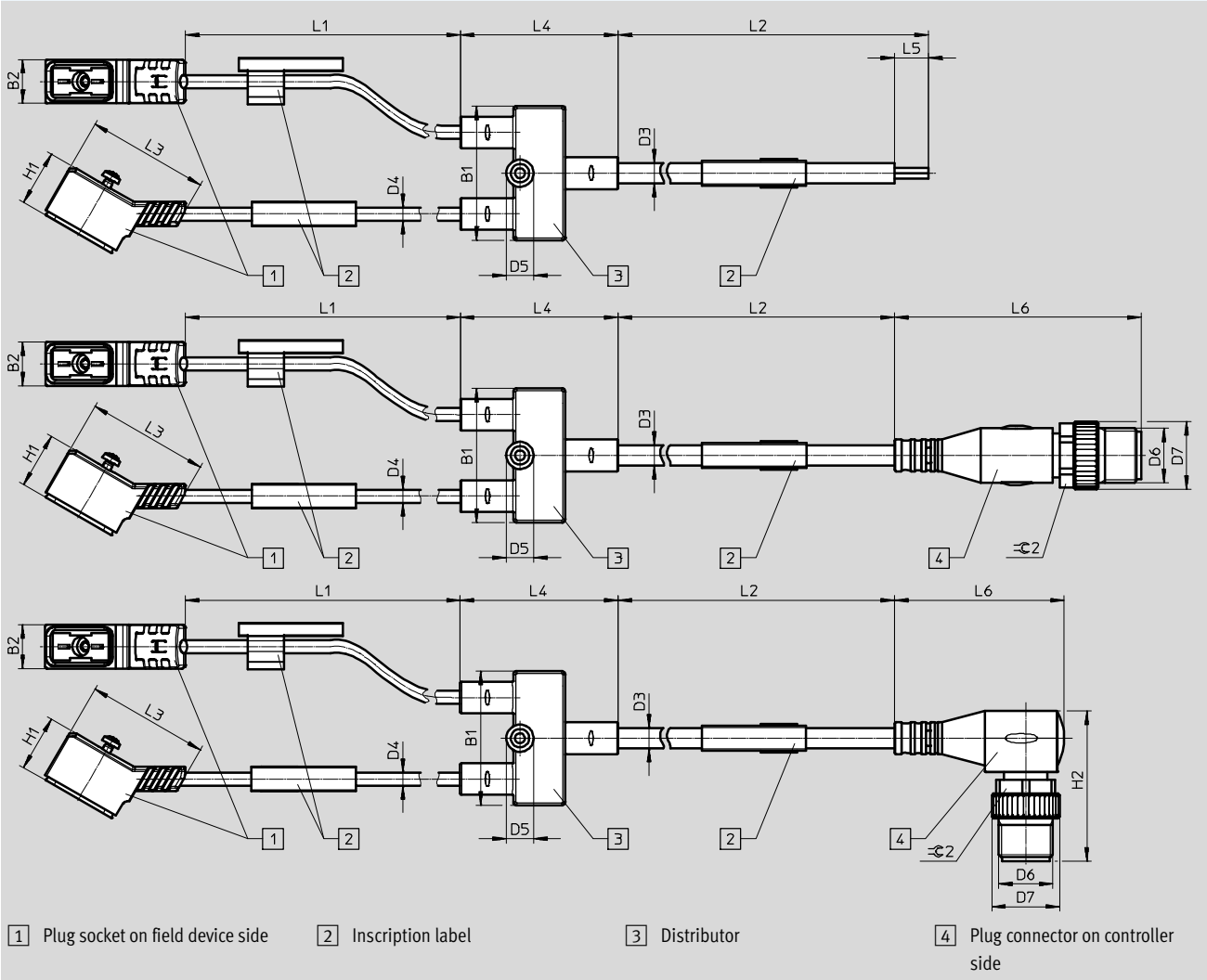
Y-distributor, plug socket connection pattern ZC, self-tapping screw

Technical data

Dimensions

Download CAD data → www.festo.com

Y-distributor with cables on both sides



Electrical connection, controller side	B1	B2	D3 Ø	D4 Ø	D5 Ø	D6	H1	H2	L1	L2	L3	L4	L5	L6	∅C2	
Open cable end	29.6	9.7	4.5	2.9	2.2	-	12	-	(300 ... 30,000)·L2	(300 ... 30,000)·L1	26.9	34.9	50	-	-	
Plug connector M8x1	Straight	29.6	9.7	4.5	2.9	2.2	M8	12	(300 ... 30,000)·L2	(300 ... 30,000)·L1	26.9	34.9	-	41.1	A/F 9	
	Angled	29.6	9.7	4.5	2.9	2.2	M8	12	24	(300 ... 30,000)·L2	(300 ... 30,000)·L1	26.9	34.9	-	26.9	A/F 9
Plug connector M12x1	Straight	29.6	9.7	4.5	2.9	2.2	M12	12	-	(300 ... 30,000)·L2	(300 ... 30,000)·L1	26.9	34.9	-	54.5	A/F 13
	Angled	29.6	9.7	4.5	2.9	2.2	M12	12	33.2	(300 ... 30,000)·L2	(300 ... 30,000)·L1	26.9	34.9	-	37.5	A/F 13

Ordering data – Accessories

		Part No.	Type
	Mounting for T-slot	<ul style="list-style-type: none"> For Y-distributor with cables on field device side and plug connector M8x1 	8032868 NEAU-A-N8-1
		<ul style="list-style-type: none"> For Y-distributor with cables on field device side and plug connector M12x1 	8032869 NEAU-A-N8-2
		<ul style="list-style-type: none"> For Y-distributor with cables on both sides 	

Y-distributor, plug socket connection pattern ZC, self-tapping screw

Ordering data – Modular product system

Ordering table		Condi- tions	Code	Enter code
M	Module No.	8032867		
	Distributor	Sensor/actuator distributor	NEDY	NEDY
	Distributor type	2 to 1	-L2R1	-L2R1
	Wiring allocation	Standard variant (see circuit diagram, standard)	-V1	-V1
	Connection technology on left, field device side	Plug socket connection pattern ZC, self-tapping screw	-Z3	-Z3
	Cable outlet, left	Angled	W	W
	Number of pins/wires, left	2-pin	2	2
	Indicator	Signal status, holding current reduction LED (only for valves)	Z	Z
	Cable characteristics	Suitable for use with energy chains/robot applications	-U	-U
	Cable length, left [m]	0.3 ... 30	1 -...L	
O	Cable identification	With inscription label holder		
		Without inscription label holder	-N	
M	Connection technology on right, controller side	Open end	-LE	
		Plug connector M8x1, A-coded, EN 61076-2-104	-M8	
		Plug connector M12x1, A-coded, EN 61076-2-101	-M12	
O	Cable outlet, right	None	2	
		Straight	3 G	
		Angled	3 W	
M	Number of pins/wires, right	3-pin	2 3	
		4-pin	4 4	
O	Cable length, right [m]	None		
		0.3 ... 30	5 -...R	

- 1** -...L The sum of cable length, left and cable length, right must not exceed 30 m
- 2** **3** Only with connection technology on right LE
- 3** **G, W** Not in combination with connection technology on right, controller side LE
- 4** **4** Only with connection technology on right M8 or M12
- 5** -...R The sum of cable length, left and cable length, right must not exceed 30 m
Mandatory specification in combination with cable outlet, right W
Mandatory specification in combination with connection technology on right, controller side LE

- M** Mandatory data
- O** Options

Transfer order code

NEDY - **L2R1** - **V1** - **Z3** **W** **2** **Z** - **U** - - -

Y-distributor, plug socket connection pattern ZC, metric screw

Type codes

NEDY - L2R1 - V1 - Z4 W 2 - U - - - - -

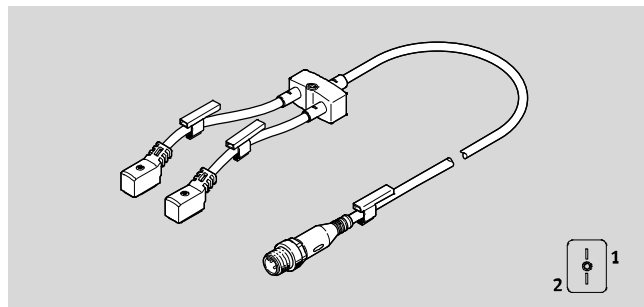
Function	
NEDY	Distributor
Distributor type	
L2R1	2 to 1
Wiring allocation	
V1	Standard variant
Connection technology on left, field device side	
Z4	Plug socket connection pattern ZC, metric screw
Cable outlet, left	
W	Angled
Number of pins/wires, left	
2	2-pin
Indicator	
L	Signal status LED (only for valves)
Z	Signal status, holding current reduction LED (only for valves without holding current reduction)
Cable characteristics	
U	Suitable for use with energy chains/robot applications
Cable length, left	
0,3 ... 30L	0.3 ... 30 m
Cable identification	
-	With inscription label holder
N	Without inscription label holder
Connection technology on right, controller side	
LE	Open end
M8	Plug connector M8x1, A-coded, EN 61076-2-104
M12	Plug connector M12x1, A-coded, EN 61076-2-101
Cable outlet, right	
-	None
G	Straight
W	Angled
Number of pins/wires, right	
3	3-pin
4	4-pin
Cable length, right	
-	None
0,3 ... 30R	0.3 ... 30 m

Y-distributor, plug socket connection pattern ZC, metric screw

Technical data

Distributor NEDY-L2R1-V1-Z4

- Dual distributor
- With LED indicator for signal status for connecting valves
- With LED indicator for signal status and holding current reduction for connecting valves without holding current reduction



General technical data	
Design	Y-distributor
Distributor type	2 to 1
Type of mounting	Via accessories, via through-hole for M2 screw
Cable identification	Via inscription label holder (optional)
Based on standard	EN 61076-2-101, EN 61076-2-104
Electrical connection 2	
Function	Field device side
Connection type	2x plug socket
Cable outlet	Angled
Design type	Square
Connection technology	Connection pattern ZC, metric screw
Number of pins/wires	2
Assigned pins/wires	2
Indicator	Yellow LED, signal status display
Additional function	Holding current reduction

Technical data – Electrical		
Operating voltage range	[V DC]	20.4 ... 26.4
Surge resistance	[kV]	0.8
Acceptable current load at 40 °C	[A]	1
Degree of contamination		3

Technical data – Cable		
	Field device side	Controller side
Cable diameter	[mm] 2.9	4.5
Conductor nominal cross section	[mm ²] 0.14	0.25
Cable characteristics	Suitable for use with energy chains/robot applications	Suitable for use with energy chains/robot applications
Cable test conditions	Resistance to bending: to Festo standard; test conditions on request • Energy chain: 5 million cycles, bending radius 28 mm • Torsional strength: > 300,000 cycles, ±270°/0.1 m	Resistance to bending: to Festo standard; test conditions on request • Energy chain: 5 million cycles, bending radius 28 mm • Torsional strength: > 300,000 cycles, ±270°/0.1 m
Minimum bending radius with freely moveable use	[mm] 29	45

Y-distributor, plug socket connection pattern ZC, metric screw

Technical data

Technical data – Electrical connection 1			
Function	Controller side		
Connection type	Plug connector	Open end	
Cable outlet	Straight, angled	Straight, angled	–
Design type	Round	Round	–
Connection technology	M8x1, A-coded	M12x1, A-coded	–
Number of pins/wires	4	4	3
Assigned pins/wires	3	3	3
Indicator	–	–	–
Based on standard	To EN 61076-2-104	To EN 61076-2-101	–

Materials	
Housing	PA, TPE-U(PUR)
Housing colour	Black
Threaded sleeve	Nickel-plated brass
Pin contacts	Gold-plated copper alloy, tin-plated copper alloy
Cable sheath	TPE-U(PUR)
Cable sheath colour	Grey
Note on materials	Free of copper and PTFE RoHS-compliant

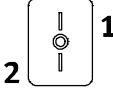
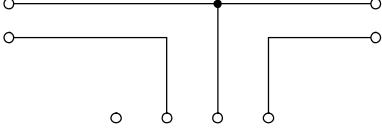
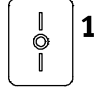
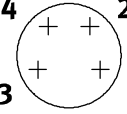
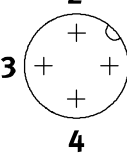
Operating and environmental conditions		
Ambient temperature	[°C]	–10 ... +50
Note on ambient temperature	[°C]	–10 ... +40 with mounting via through-hole temperature
Ambient temperature with flexible cable installation	[°C]	–5 ... +50
Storage temperature	[°C]	–10 ... +50
CE marking (see declaration of conformity)		To EU EMC Directive ¹⁾
Certification		RCM mark
Degree of protection		IP65
Corrosion resistance class CRC ²⁾		3

- For information about the applicability of the component see the manufacturer's EC declaration of conformity at: www.festo.com/sp → Certificates.
If the component is subject to restrictions on usage in residential, office or commercial environments or small businesses, further measures to reduce the emitted interference may be necessary.
- Corrosion resistance class CRC 3 to Festo standard FN 940070
High corrosion stress. Outdoor exposure under moderate corrosive conditions. External visible parts with primarily functional requirements for the surface and which are in direct contact with a normal industrial environment.

Product weight									
2x plug socket [g]		2x cable [g/m]		Distributor [g]		Cable [g/m]		Plug connector [g]	
Connection pattern ZC	5	2-wire	21	With cable outlet	10	3-wire	23.5	M8x1	4.5
				With plug connector M12x1	17			M12x1, straight	12
				With plug connector M8x1	7			M12x1, angled	12.5
				With plug socket M8x1	8			Open end	0
<p>The weights of the individual components must be added together to determine the overall weight: plug socket + length x cable + distributor + length x cable + plug connector</p> <p>Example: NEDY-L2R1-V1-Z4W2L-U-3L-LE3-10R 5 g + 3x 31 g + 10 g + 10x 23.5 g + 0 g = 343 g</p>									

Y-distributor, plug socket connection pattern ZC, metric screw

Technical data

Wiring allocation (plug socket/plug connector view)										
Connection no. 4	Pin	Wire colour ¹⁾	Wiring allocation			Wire colour ¹⁾	Pin	Connection no. 2		
	1	BK				BK	1			
	2	BK				BK	2			
			Wire colour ¹⁾	-	BK	BU	BN			
			Pin	1	4	3	2			
			Plug connector M8x1							
										
		Plug connector M12x1								
										

1) To IEC 757

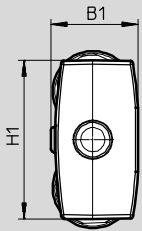
Y-distributor, plug socket connection pattern ZC, metric screw

Technical data

Dimensions

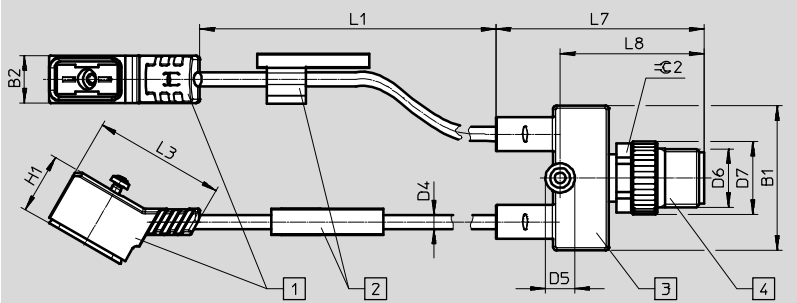
Download CAD data → www.festo.com

Distributor body front view



Distributor body front view		B1	H1
Size 1:	<ul style="list-style-type: none"> • Y-distributor with cables on field device side and plug connector M8x1 	12	21
Size 2:	<ul style="list-style-type: none"> • Y-distributor with cables on field device side and plug connector M12x1 • Y-distributor with cables on both sides 	16.2	29.6

Y-distributor with cables on field device side



- 1 Plug socket on field device side
- 2 Inscription label
- 3 Distributor
- 4 Plug connector on controller side

Electrical connection, controller side	B1	B2	D4 Ø	D5 Ø	D6	D7 Ø	H1	L1	L3	L7	L8	±0.2
Plug connector M8x1	21	9.7	2.9	2.2	M8	10	12	300 ... 30,000	26.9	35	21.6	A/F 9
Plug connector M12x1	29.6	9.7	2.9	2.2	M12	15	12	300 ... 30,000	26.9	42.7	29.5	A/F 13

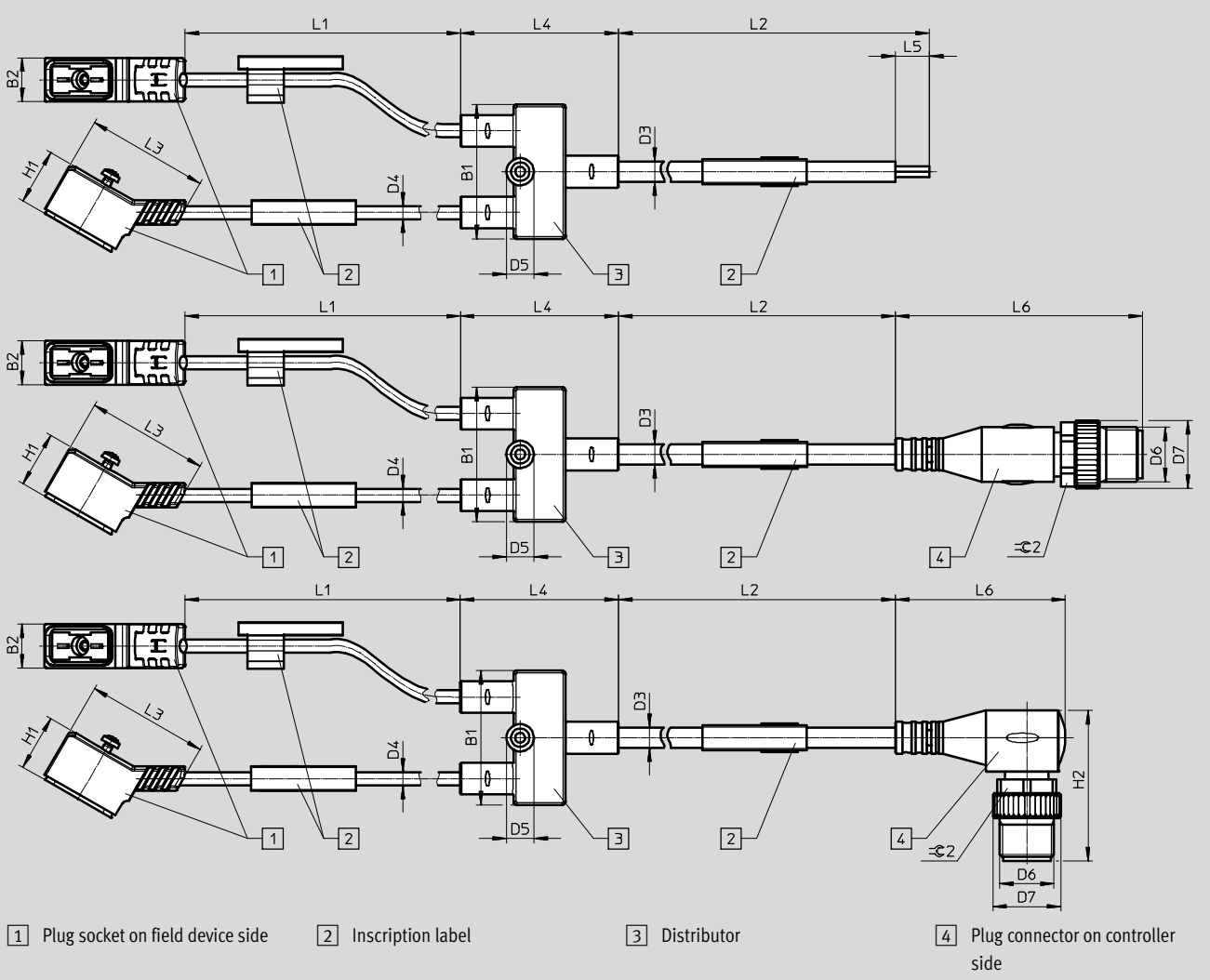
Y-distributor, plug socket connection pattern ZC, metric screw

Technical data

Dimensions

Download CAD data → www.festo.com

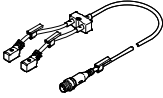
Y-distributor with cables on both sides




Electrical connection, controller side	B1	B2	D3 ∅	D4 ∅	D5 ∅	D6	H1	H2	L1	L2	L3	L4	L5	L6	∅2
Open cable end	29.6	9.7	4.5	2.9	2.2	-	12	-	(300 ... 30,000)-L2	(300 ... 30,000)-L1	26.9	34.9	50	-	-
Plug connector M8x1	29.6	9.7	4.5	2.9	2.2	M8	12	-	(300 ... 30,000)-L2	(300 ... 30,000)-L1	26.9	34.9	-	41.1	A/F 9
								24							
Plug connector M12x1	29.6	9.7	4.5	2.9	2.2	M12	12	-	(300 ... 30,000)-L2	(300 ... 30,000)-L1	26.9	34.9	-	54.5	A/F 13
								33.2							

Y-distributor, plug socket connection pattern ZC, metric screw

Technical data

Ordering data						
	Field device side	Controller side		Weight [g]	Part No.	Type
	Cable length [m]	Electrical connection	Cable length [m]			
Y-distributor with cables on both sides, with holding current reduction						
	0.3	Plug connector, straight, M8x1	2.5	92	8035789	NEDY-L2R1-V1-Z4W2Z-U-0.3L-M8G4-2.5R
			5	151	8035790	NEDY-L2R1-V1-Z4W2Z-U-0.3L-M8G4-5R
	0.3	Plug connector, straight, M12x1	2.5	100	8035787	NEDY-L2R1-V1-Z4W2Z-U-0.3L-M12G4-2.5R
			5	159	8035788	NEDY-L2R1-V1-Z4W2Z-U-0.3L-M12G4-5R

Ordering data – Accessories				Part No.	Type
	Mounting for T-slot	• For Y-distributor with cables on field device side and plug connector M8x1		8032868	NEAU-A-N8-1
		• For Y-distributor with cables on field device side and plug connector M12x1		8032869	NEAU-A-N8-2
		• For Y-distributor with cables on both sides			

Y-distributor, plug socket connection pattern ZC, metric screw

Ordering data – Modular product system

Ordering table		Condi- tions	Code	Enter code
M	Module No.	8032867		
	Distributor	Sensor/actuator distributor	NEDY	NEDY
	Distributor type	2 to 1	-L2R1	-L2R1
	Wiring allocation	Standard variant (see circuit diagram, standard)	-V1	-V1
	Connection technology on left, field device side	Plug socket connection pattern ZC, metric screw	-Z4	-Z4
	Cable outlet, left	Angled	W	W
	Number of pins/wires, left	2-pin	2	2
	Indicator	Signal status LED (only for valves)	L	
		Signal status, holding current reduction LED (only for valves)	Z	
	Cable characteristics	Suitable for use with energy chains/robot applications	-U	-U
	Cable length, left [m]	0.3 ... 30	1 -...L	
O	Cable identification	With inscription label holder		
		Without inscription label holder	-N	
M	Connection technology on right, controller side	Open end	-LE	
		Plug connector M8x1, A-coded, EN 61076-2-104	-M8	
		Plug connector M12x1, A-coded, EN 61076-2-101	-M12	
O	Cable outlet, right	None	2	
		Straight	3 G	
		Angled	3 W	
M	Number of pins/wires, right	3-pin	2 3	
		4-pin	4 4	
O	Cable length, right [m]	None		
		0.3 ... 30	5 -...R	

- 1** -...L The sum of cable length, left and cable length, right must not exceed 30 m
- 2** **3** Only with connection technology on right LE
- 3** **G, W** Not in combination with connection technology on right, controller side LE
- 4** **4** Only with connection technology on right M8 or M12
- 5** -...R The sum of cable length, left and cable length, right must not exceed 30 m
Mandatory specification in combination with cable outlet, right W
Mandatory specification in combination with connection technology on right, controller side LE

M Mandatory data
O Options

Transfer order code

NEDY - **L2R1** - **V1** - **Z4** **W** **2** - **U** - - -

Y-distributor, open end, 3-wire

Type codes

NEDY - L2R1 - V1 - LE 3 - U - - - - - 4 - -

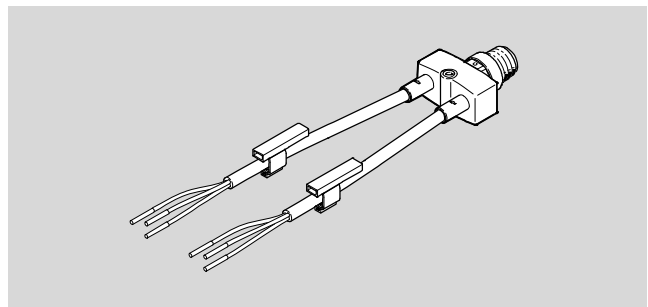
Function	
NEDY	Distributor
Distributor type	
L2R1	2 to 1
Wiring allocation	
V1	Standard variant
Connection technology on left, field device side	
LE	Open end
Number of pins/wires, left	
3	3-pin
Cable characteristics	
U	Suitable for use with energy chains/robot applications
Cable length, left	
0,3 ... 30L	0.3 ... 30 m
Cable identification	
-	With inscription label holder
N	Without inscription label holder
Connection technology on right, controller side	
LE	Open end
M8	Plug connector M8x1, A-coded, EN 61076-2-104
M12	Plug connector M12x1, A-coded, EN 61076-2-101
Cable outlet, right	
-	None
G	Straight
W	Angled
Number of pins/wires, right	
4	4-pin
Cable length, right	
-	None
0,3 ... 30R	0.3 ... 30 m

Y-distributor, open end, 3-wire

Technical data

Distributor NEDY-L2R1-V1-LE

- Dual distributor
- For self-assembly



General technical data	
Design	Y-distributor
Distributor type	2 to 1
Type of mounting	Via accessories, via through-hole for M2 screw
Cable identification	Via inscription label holder (optional)
Based on standard	EN 61076-2-101, EN 61076-2-104
Electrical connection 2	
Function	Field device side
Connection type	2x open end
Number of pins/wires	3
Assigned pins/wires	3
Indicator	None

Technical data – Electrical				
Electrical connection 1		Plug connector M8x1	Plug connector M12x1	Open end
Operating voltage range	[V DC]	0 ... 30	0 ... 30	0 ... 30
	[V AC]	0 ... 30	0 ... 30	0 ... 30
Surge resistance	[kV]	0.8	0.8	0.8
Acceptable current load at 40°C	[A]	3	4	4
Degree of contamination		3	3	3

Technical data – Cable		
Cable diameter	[mm]	4.5
Conductor nominal cross section	[mm ²]	0.25
Cable characteristics	Suitable for use with energy chains/robot applications	
Cable test conditions	Resistance to bending to Festo standard, test conditions on request, energy chain: 5 million cycles, bending radius: 28 mm, torsional strength: > 300,000 cycles, ±270°/0.1 m	
Minimum bending radius with freely moveable use	[mm]	45

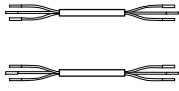
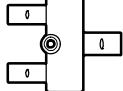

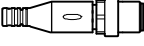
Y-distributor, open end, 3-wire

Technical data

Technical data – Electrical connection 1			
Function	Controller side		
Connection type	Plug connector		Open end
Cable outlet	Straight, angled	Straight, angled	–
Design type	Round	Round	–
Connection technology	M8x1, A-coded	M12x1, A-coded	–
Number of pins/wires	4	4	4
Assigned pins/wires	4	4	4
Indicator	–	–	–
Based on standard	To EN 61076-2-104	To EN 61076-2-101	–

Materials	
Housing	PA, TPE-U(PUR)
Housing colour	Black
Threaded sleeve	Nickel-plated brass
Seals	NBR
Pin contacts	Gold-plated copper alloy
Cable sheath	TPE-U(PUR)
Cable sheath colour	Grey
Note on materials	Free of copper and PTFE
	RoHS-compliant
	Free of halogen and phosphoric acid ester

Operating and environmental conditions		
Ambient temperature	[°C]	–25 ... +80
Note on ambient temperature	[°C]	–10 ... +40 with mounting via through-hole temperature
Ambient temperature with flexible cable installation	[°C]	–20 ... +80
Storage temperature	[°C]	–25 ... +80
Degree of protection		IP65/IP68, IP69K

Product weight					
					
–	2x cable [g/m]		Distributor [g]		Plug connector [g]
–	–	3-wire 47	With cable outlet 10	4-wire 26.5	M8x1 4.5
			With plug connector M12x1 17		M12x1, straight 12
			With plug connector M8x1 7		M12x1, angled 12.5
					Open end 0
<p>The weights of the individual components must be added together to determine the overall weight: plug socket + length x cable + distributor + length x cable + plug connector</p> <p>Example: NEDY-L2R1-V1-LE3-U-3L-LE4-10R 0 g + 3x 47 g + 10 g + 10x 26.5 g + 0 g = 416 g</p>					

Y-distributor, open end, 3-wire

Technical data

Wiring allocation (plug socket/plug connector view)									
Connection no. 4	Pin	Wire colour ¹⁾	Wiring allocation				Wire colour ¹⁾	Pin	Connection no. 2
	-	BN					BN	-	
	-	BU					BN	-	
	-	BK					BU	-	
			Wire colour ¹⁾	BN	BK	BU	WH		
			Pin	1	4	3	2		
			Plug connector M8x1						
			Plug connector M12x1						

1) To IEC 757

Dimensions

Y-distributor with cables on field device side

2 Inscription label 3 Distributor 4 Plug connector on controller side

Download CAD data → www.festo.com

Distributor body front view

Electrical connection, controller side	B1	D4 ∅	D5 ∅	D6	D7 ∅	L1	L5	L7	L8	⊕ 2
Plug connector M8x1	21	4.5	2.2	M8	10	300 ... 30,000	50	35	21.6	A/F 9
Plug connector M12x1	29.6	4.5	2.2	M12	15	300 ... 30,000	50	42.7	29.5	A/F 13

Distributor body front view		B1	H1
Size 1:	• Y-distributor with cables on field device side and plug connector M8x1	12	21
Size 2:	• Y-distributor with cables on field device side and plug connector M12x1 • Y-distributor with cables on both sides	16.2	29.6

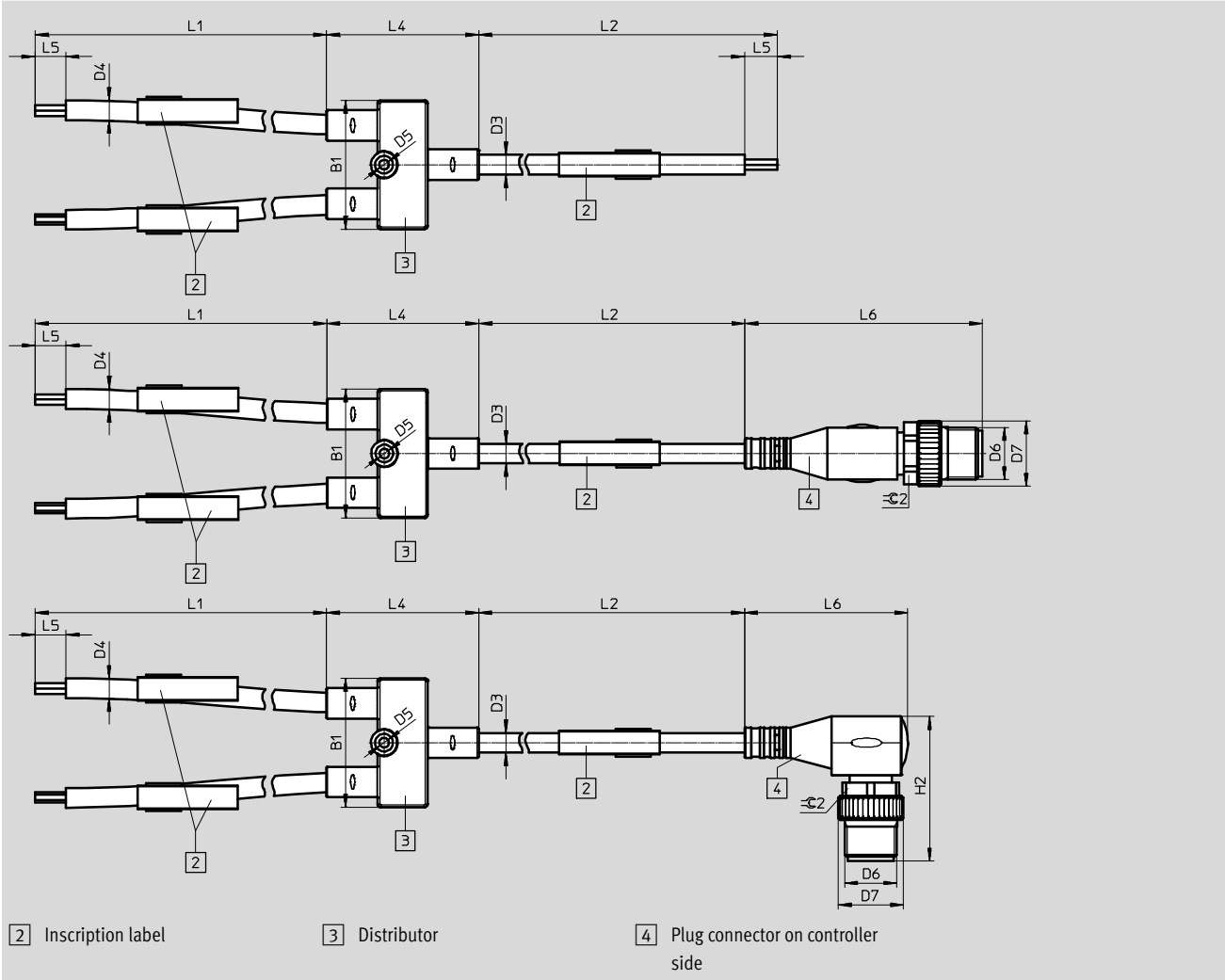
Y-distributor, open end, 3-wire

Technical data

Dimensions

Download CAD data → www.festo.com

Y-distributor with cables on both sides



Electrical connection, controller side	B1	D3 ∅	D4 ∅	D5 ∅	D6	D7	H2	L1	L2	L4	L5	L6	∠2
Open cable end	29.6	4.5	4.5	2.2	-	-	-	(300 ... 30,000)-L2	(300 ... 30,000)-L1	34.9	50	-	-
Plug connector M8x1	Straight	29.6	4.5	4.5	2.2	M8	10	(300 ... 30,000)-L2	(300 ... 30,000)-L1	34.9	50	41.1	A/F 9
	Angled	29.6	4.5	4.5	2.2	M8	10	(300 ... 30,000)-L2	(300 ... 30,000)-L1	34.9	50	26.9	A/F 9
Plug connector M12x1	Straight	29.6	4.5	4.5	2.2	M12	15	(300 ... 30,000)-L2	(300 ... 30,000)-L1	34.9	50	54.5	A/F 13
	Angled	29.6	4.5	4.5	2.2	M12	15	(300 ... 30,000)-L2	(300 ... 30,000)-L1	34.9	50	37.5	A/F 13

Ordering data – Accessories

		Part No.	Type
	Mounting for T-slot	<ul style="list-style-type: none"> For Y-distributor with cables on field device side and plug connector M8x1 	8032868 NEAU-A-N8-1
		<ul style="list-style-type: none"> For Y-distributor with cables on field device side and plug connector M12x1 	8032869 NEAU-A-N8-2
		<ul style="list-style-type: none"> For Y-distributor with cables on both sides 	

Y-distributor, open end, 3-wire

Ordering data – Modular product system

Ordering table		Condi- tions	Code	Enter code
M	Module No.	8032867		
	Distributor	Sensor/actuator distributor	NEDY	NEDY
	Distributor type	2 to 1	-L2R1	-L2R1
	Wiring allocation	Standard variant (see circuit diagram, standard)	-V1	-V1
	Connection technology on left, field device side	Open end	-LE	-LE
	Number of pins/wires, left	3-pin	3	3
	Cable characteristics	Suitable for use with energy chains/robot applications	-U	-U
	Cable length, left [m]	0.3 ... 30	1 -...L	
O	Cable identification	With inscription label holder		
		Without inscription label holder	-N	
M	Connection technology on right, controller side	Open end	-LE	
		Plug connector M8x1, A-coded, EN 61076-2-104	-M8	
		Plug connector M12x1, A-coded, EN 61076-2-101	-M12	
O	Cable outlet, right	None		
		Straight	2 G	
		Angled	2 W	
M	Number of pins/wires, right	4-pin	4	4
O	Cable length, right [m]	None		
		0.3 ... 30	3 -...R	

- 1** -...L The sum of cable length, left and cable length, right must not exceed 30 m
- 2** **G, W** Not in combination with connection technology on right, controller side LE
- 3** -...R The sum of cable length, left and cable length, right must not exceed 30 m
Mandatory specification in combination with cable outlet, right W
Mandatory specification in combination with connection technology on right, controller side LE

- M** Mandatory data
- O** Options

Transfer order code

NEDY - **L2R1** - **V1** - **LE** **3** - **U** - - **4** -