

Connecting cables for valves, plug pattern ZC, self-tapping screw

Type codes

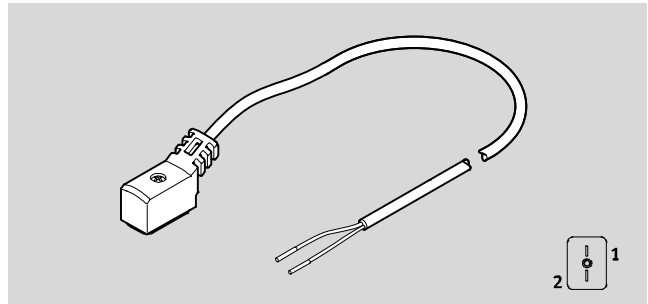
		NEBV	-	Z3	WA	2	L	-	R	-	E	-	5	-	N	-	LE	2	-	S1	
Function		NEBV	Connecting cables for valves																		
Connection technology on left, field device side		Z3	Socket, plug pattern ZC, self-tapping screw																		
Cable outlet left		WA	Angled 45°																		
Number of pins/wires, left		2	2-pin																		
Display		L	Signal status LED																		
Circuitry		R	Holding current reduction with integrated protective circuit																		
Cable characteristic		E	Suitable for energy chains																		
Cable length		2,5	2.5 m																		
		5	5 m																		
		10	10 m																		
Cable designation		N	Without inscription label holder																		
Connection technology on right, controller side		LE	Open end																		
Number of pins/wires, right		2	2-wire																		
Degree of protection for electrics		S1	IP65																		

Connecting cables for valves, plug pattern ZC, self-tapping screw

Technical data

Connecting cable NEBV-Z3WA2L

- Connecting cable
- Pre-assembled at both ends
- For connecting valves



General technical data	
Electrical connection 1	
Function	Field device side
Connection type	Socket
Cable outlet	Angled
Constructional design	Square
Connection technology	Plug pattern ZC, self-tapping screw
Number of pins/wires	2
Assigned pins/wires	2
Type of mounting	On solenoid valve via self-tapping screw
Signal status display	Yellow LED
Additional functions	Holding current reduction, protective circuit
Electrical connection 2	
Function	Controller side
Connection type	Cable
Connection technology	Open end
Number of pins/wires	2
Assigned pins/wires	2

Technical data – Electrical		
Nominal operating voltage	[V DC]	24
Operating voltage range	[V DC]	20.4 ... 26.4
Surge resistance	[kV]	2.4
Degree of contamination		3
Connection frequency		50
Protection against polarity reversal		Bipolar
Protective earth connection		Not present

Technical data – Cable		
Cable composition	[mm ²]	2 x 0.14
Cable diameter	[mm]	2.9
Cable diameter tolerance	[%]	±0.1
Conductor nominal cross section	[mm ²]	0.14
Cable characteristic		Suitable for use with energy chains
Cable test conditions		Test conditions on request
Bending radius, flexible cable installation	[mm]	≥29
Cable identification		Without inscription label holder

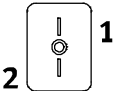
Connecting cables for valves, plug pattern ZC, self-tapping screw

Technical data

Materials	
Housing	TPE-U(PU)
Housing colour	Black
Insulating sheath	PP
Screws	Steel
Pin contacts	Tin-plated copper alloy
Cable sheath	TPE-U (PUR)
Cable sheath colour	Grey
Note on materials	RoHS compliant

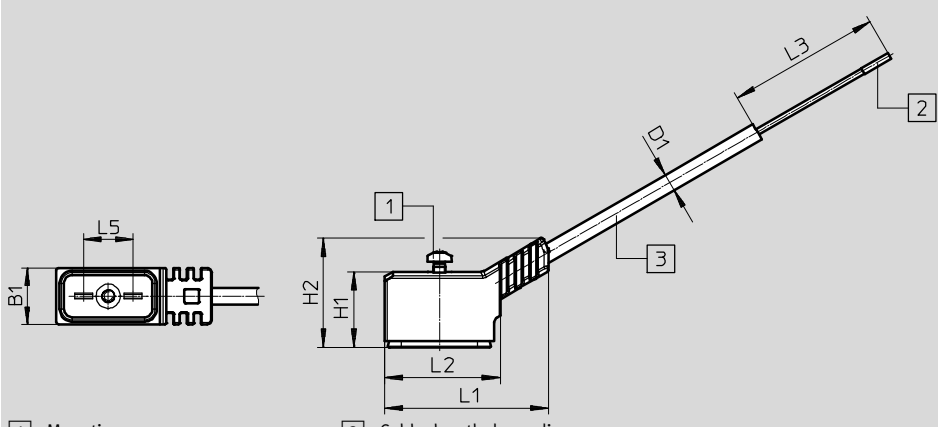
Operating and environmental conditions	
Ambient temperature [°C]	-10 ... +50
CE marking (see declaration of conformity)	To EU EMC Directive ¹⁾
Degree of protection	IP65
Note on degree of protection	In mounted state

1) For information about the applicability of the component see the manufacturer's EC declaration of conformity at: www.festo.com/sp → Certificates.
If the component is subject to restrictions on usage in residential, office or commercial environments or small businesses, further measures to reduce the emitted interference may be necessary.

Circuitry (socket/plug view)				
Electrical connection 1	Pin	Wire colour ¹⁾	Pin	Electrical connection 2
	1	BK	-	Open end
	2	BK	-	

1) To IEC 757

Dimensions Download CAD data → www.festo.com



1 Mounting screw
2 Wire-end sleeve
3 Cable, length depending on order

Type	B1	D1 Ø	H1	H2	L1	L2	L3	L5
NEBV-Z3WA2L	9.7	2.9	12	17.5	26.9	19	50	8.4

Connecting cables for valves, plug pattern ZC, self-tapping screw

Technical data

Ordering data				
Electrical connection	Cable length [m]	Weight [g]	Part No.	Type
Angled socket, plug pattern ZC, self-tapping screw	2.5	50	8047676	NEBV-Z3WA2L-R-E-2.5-N-LE2-S1
	5	90	8047677	NEBV-Z3WA2L-R-E-5-N-LE2-S1
	10	170	8047675	NEBV-Z3WA2L-R-E-10-N-LE2-S1

Connecting cables for valves, plug pattern ZC, self-tapping screw

Ordering data – Modular product system

Ordering table		Condi- tions	Code	Entry code
M	Module no.	8003577		
	Connecting cable	Connecting cables for valves	NEBV	NEBV
	Connection technology on left, field device side	Socket, plug pattern ZC, self-tapping screw	-Z3	-Z3
	Cable outlet, left	Angled 45°	WA	WA
	Number of pins/wires, left	2-pin	2	2
	Display	Signal status LED	L	L
	Circuitry	Holding current reduction with integrated protective circuit	-R	-R
	Cable characteristic	Suitable for use with energy chains	-E	-E
	Line length [m]	2.5	-2,5	
	[m]	5	-5	
	[m]	10	-10	
	Cable identification	Without inscription label holder	-N	-N
	Connection technology on right, control side	Open end	-LE	-LE
	Number of pins/wires, right	2-pin	2	2
	Degree of protection for electrics	IP65	-S1	-S1

M Mandatory data

O Options

Transfer order code

8003577 **NEBV** - **Z3** **WA** **2** **L** - **R** - **E** - **N** - **LE** **2** - **S1**