

Universal accessories NEAU, for electrical connection technology

Technical data

Inspection cover AK-SUB
Cover AK-RJ45
Cover cap ISK
Cable cap ASI-KK-FK

Covers are inserted/screwed into or placed/screwed onto unused connections/openings in order to seal them.

They ensure:

- Reliable operation of the respective component
- Attainment of a protection class
- Hazard prevention (e.g. by covering current carrying parts)



General technical data					
Type	AK-SUB-9/15-B	AK-RJ45	ISK-M8	ISK-M12	ASI-KK-FK
Mounting position	–	–	–	–	Any
Width [mm]	–	33	–	–	–
Height [mm]	–	8	–	–	–
Length [mm]	–	20	–	–	–
Protection class to EN 60529	IP65, IP67 (assembled)	IP65, IP67 (assembled)	IP65	–	–
Product weight [g]	20	10	5	5	–

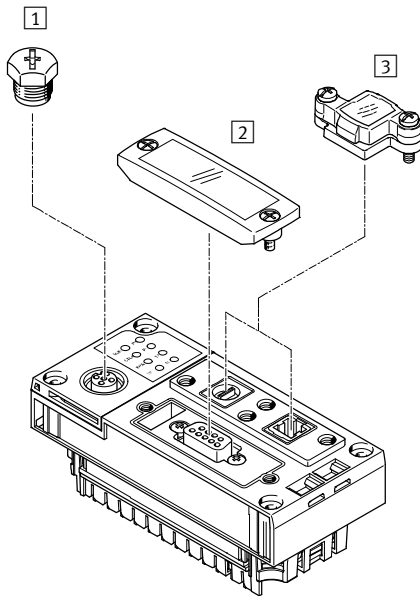
Materials					
Type	AK-SUB-9/15-B	AK-RJ45	ISK-M8	ISK-M12	ASI-KK-FK
Housing	–	–	PA, reinforced	PA, reinforced	PA
Cap	PA	PA	–	–	–
Screws	Galvanised steel	Steel	–	–	–
Seal	NBR	NBR	–	–	–
Note on materials	–	–	RoHS-compliant	–	RoHS-compliant

Operating and environmental conditions					
Type	AK-SUB-9/15-B	AK-RJ45	ISK-M8	ISK-M12	ASI-KK-FK
Ambient temperature [°C]	–5 ... +50	–5 ... +50	–10 ... +50	–	–

Universal accessories NEAU, for electrical connection technology

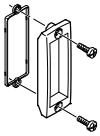
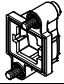
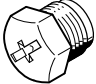
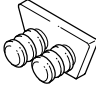
Technical data

Examples for attaching covers



Covers are inserted/screwed into or placed/screwed onto unused connections/openings.

- 1 ISK-M12
- 2 AK-SUB-9/15-B
- 3 AK-RJ45

Ordering data				
	Description	Mounting	Part No.	Type
	Transparent cover for sealing switches and unused connections (on components of the CPX terminal)	2 screws, M3x10	533334	AK-SUB-9/15-B
	Cover for sealing switches and unused RJ45 connections (on components of the CPX terminal)	2 screws, M3x14	534496	AK-RJ45
	10 cover cups for sealing openings (not pressure-tight) with M8 or M12 female thread (particularly unused electrical connections)	Thread M8	177672	ISK-M8
		Thread M12	165592	ISK-M12
	Plug for sealing the open end of an AS-interface cable	Pushed in by hand	18787	ASI-KK-FK