

Protective conduits



Protective conduits

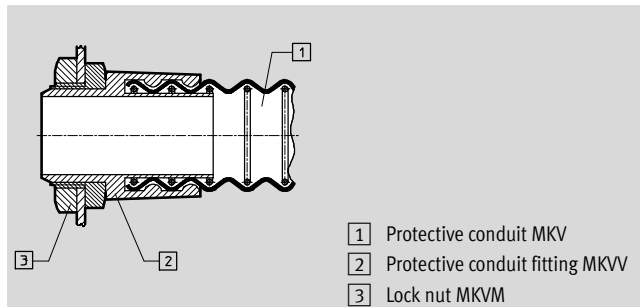
Technical data



Protective conduit MKV

Materials:
PVC, spring steel

Note on materials:
RoHS-compliant



For protecting pneumatic tubing and electrical cables.

Flexible, stretchable and compressible, water-tight and highly resistant to oil and acids.

Note
Protective conduit MKV can be combined with multi-plug KSV.
➔ Internet: ksv

Note
Additional protective conduits for installation components for handling and assembly technology.
➔ Internet: mkr, mkg

Ordering data								
For protective conduit fitting MKVV with connection thread	I.D. x O.D. [mm]	Min. bending radius +10% [mm]	For multi-plug KSV	CRC ¹⁾	Weight [g/m]	Part No.	Type	PU ²⁾ [m]
Pg 13.5	15x19	19	–	2	117	7404	MKV-PG-13,5	50
Pg 21	21x27	27	KSV-5		240	7549	MKV-PG-21	50
Pg 29	29x36	36	KSV-8, KSV6-7		395	7550	MKV-PG-29	25
Pg 36	38x45	45	KSV-16-B, KSV6-12		560	7147	MKV-PG-36	25
Pg 48	48x56	56	KSV-32-B, KSV6-22		806	7148	MKV-PG-48	25

1) Corrosion resistance class CRC 2 to Festo standard FN 940070
Moderate corrosion stress. Indoor applications in which condensation may occur. External visible parts with primarily decorative requirements for the surface and which are in direct contact with the ambient atmosphere typical for industrial applications.
2) Packaging unit

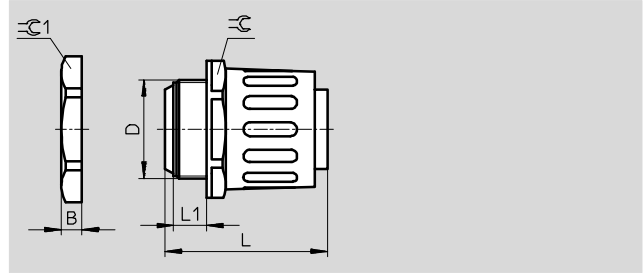
Protective conduits

Technical data

Protective conduit fitting MKVV Lock nut MKVM

Material:
Plastic

Note on materials:
RoHS-compliant



Dimensions					
Connection thread D	B	L	L1	CRC 1	CRC 1
Pg 13.5	6	42	10	24	27
Pg 21	7	58	11	35	36
Pg 29	7	59	12	45	46
Pg 36	8	62.5	12	54	60
Pg 48	8	68	15	65	70

Ordering data – Protective conduit fitting				
Connection thread	CRC ¹⁾	Weight [g]	Part No.	Type
Pg 13.5	2	7	19113	MKVV-PG-13,5-B
Pg 21		17	19114	MKVV-PG-21-B
Pg 29		27	19115	MKVV-PG-29-B
Pg 36		37	19116	MKVV-PG-36-B
Pg 48		59	19117	MKVV-PG-48-B

Ordering data – Lock nut				
Connection thread	CRC ¹⁾	Weight [g]	Part No.	Type
Pg 13.5	2	2.5	7411	MKVM-PG-13,5
Pg 21		4.3	9691	MKVM-PG-21
Pg 29		6.5	9692	MKVM-PG-29
Pg 36		11.7	7413	MKVM-PG-36
Pg 48		15.6	7414	MKVM-PG-48

1) Corrosion resistance class CRC 2 to Festo standard FN 940070
Moderate corrosion stress. Indoor applications in which condensation may occur. External visible parts with primarily decorative requirements for the surface and which are in direct contact with the ambient atmosphere typical for industrial applications.