

# Connecting cables, socket, port pattern ZC, self-tapping screw

Technical data

## Connecting cable KRP-1

- Connecting cable for connecting relay plates (valve terminal CPV10 and CPV14)
- Pre-assembled
- Cable lengths: 2.5 m and 5 m
- 2-pin socket
- Not suitable for energy chains

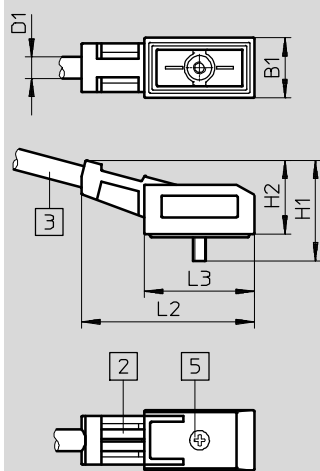


General technical data		
Electrical connection		2-pin socket
Cable outlet		Angled
Type of mounting		With through-hole, self-tapping central screw
Mounting position		Any
Cable composition	[mm <sup>2</sup> ]	2 x 0.25
Cable diameter	[mm]	3.5
Operating voltage range	[V DC]	0 ... 26
	[V AC]	0 ... 20
Acceptable current load	[A]	1

Materials	
Housing	PUR
Pin contacts	Bronze
Cable sheath	PVC

Operating and environmental conditions	
Ambient temperature	[°C] -10 ... +50
Degree of protection	IP65

## Dimensions Download CAD data → [www.festo.com](http://www.festo.com)



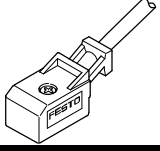
- 2 Holder for inscription label (IBS-6x10)
- 3 2-wire cable 2.5m or 5m (2 x 0.25mm<sup>2</sup>)
- 5 Mounting screw

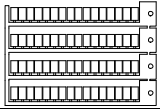
Type	B1	D1	H1	H2	L2	L3
KRP-1	9.8	3.4	16.4	12	28.3	18

# Connecting cables, socket, port pattern ZC, self-tapping screw

FESTO

Technical data

Ordering data						
	Electrical connection		Cable length [m]	Weight [g]	Part No.	Type
	Field device side	Controller side				
	Socket, port pattern ZC, self-tapping screw	Open cable end	2.5	49	<b>165612</b>	<b>KRP-1-24-2,5</b>
			5	94	<b>165613</b>	<b>KRP-1-24-5</b>

Ordering data – Accessories				
			Part No.	Type
	Inscription labels, 64 per frame	6 x 10 mm	<b>18576</b>	<b>IBS-6x10</b>