

Handling modules HSP



Handling modules HSP

Key features at a glance



Field of application

The handling module is a new generation of function modules for the automatic transfer, feed and removal of small parts in extremely confined spaces.

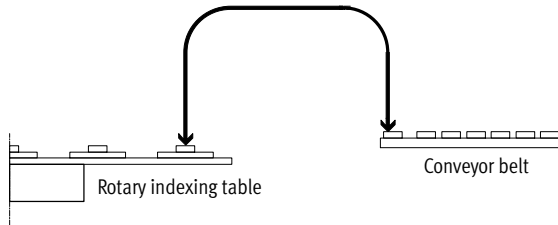
This is achieved by means of a guided vertical and horizontal motion sequence. A backlash-free cross-guide

with recirculating ball bearing elements ensures high precision and good rigidity.

The combination of a semi-rotary drive and a slotted guide system produces a compact unit for a complete pick and place cycle.

Special features

- Compact design
- Extremely short cycle times
- Low cost
- Simple commissioning
- For working loads up to 1.6 kg
- Stroke adjustment along Y- and Z-axes
- Wait positions possible
- No planning costs



Three drive variants are available

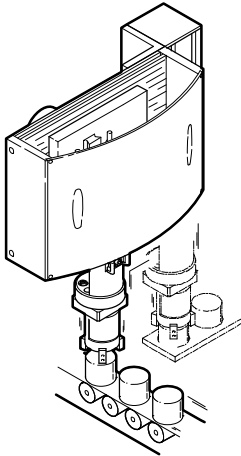
		Pneumatic: HSP-...-AP, with swivel module DSM	Without drive: HSP-...-AS, with drive shaft
Advantages			
		<ul style="list-style-type: none"> • Fast • Cost-effective • Ready to install • No system planning required • Simple commissioning 	<ul style="list-style-type: none"> • Compact • Universal compatibility • Variable drive interface • On request: Drive options in combination with servo motors EMMS-AS
Technical data			
Stroke	Y [mm]	52 ... 170	
	Z [mm]	20 ... 70	
Min. cycle time	[s]	0.6 ... 1.0	Depends on drive
Working load	[g]	0 ... 1600	
Repetition accuracy at end positions	[mm]	±0.02	
Wait positions		Max. 2	Depends on drive
Function of wait position		Pulling with return cylinder	Depends on drive
Repetition accuracy at wait positions	[mm]	< 1	Depends on drive
Data sheet		→ page 8	→ page 18

Handling modules HSP

Typical applications

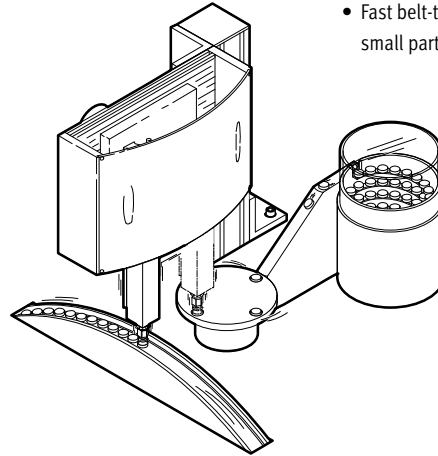
HSP... AP, pneumatic

Linear transfer



- Fast feed and removal, e.g. for linear transfer or rotary indexing table

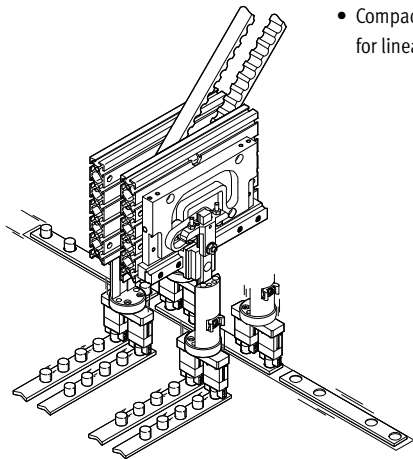
Belt-type part positioning



- Fast belt-type part positioning of small parts

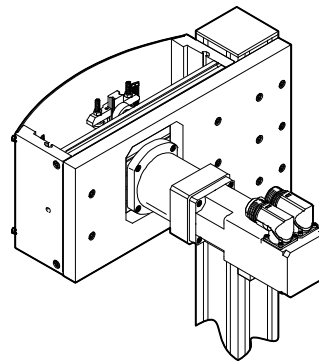
HSP... AS, without drive

Linear transfer



- Compact twin pick and place unit for linear transfer

Rotary indexing table, linear transfer

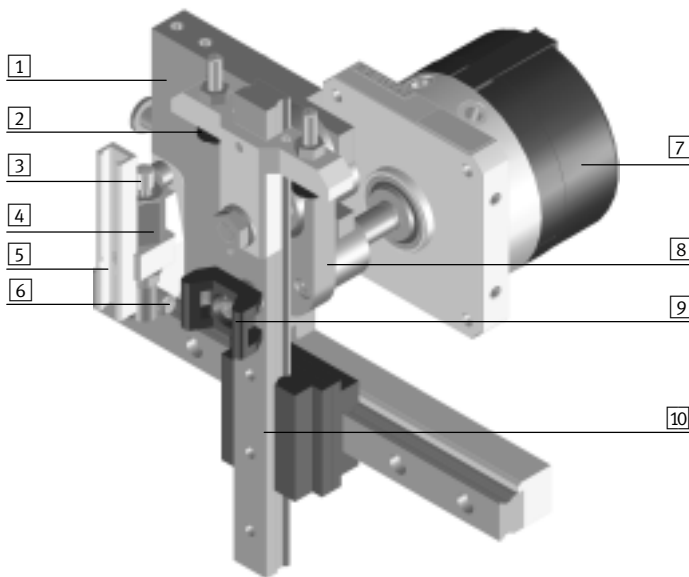


- Fast and flexible pick and place unit with servo motor EMMS-AS
- Electrical variant using third-party motor

Handling modules HSP

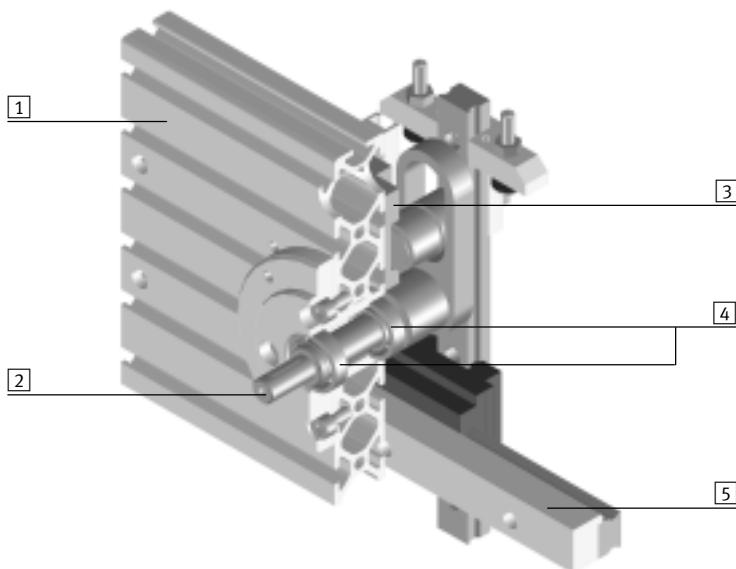
Key features at a glance

HSP...-AP – pneumatic with swivel module DSM



- 1 Slotted guide plate
- 2 Adjustable stop
- 3 Shock absorber YSRW
- 4 Stop sleeve
- 5 Sensor rail
- 6 Pressure piece
- 7 Swivel module DSM
- 8 Swivel lever
- 9 Cable binder holder
- 10 Cross-guide

HSP...-AS – without drive (rear side)



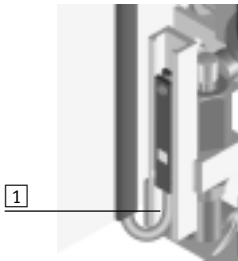
- 1 Back plate
- 2 Shaft with Woodruff key
- 3 Slotted guide plate
- 4 Ball bearings
- 5 Aluminium rail for alignment of slotted guide plates

Handling modules HSP

Key features at a glance

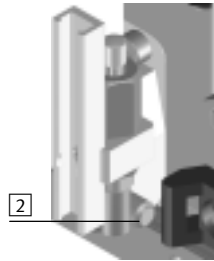
FESTO

The technology in detail



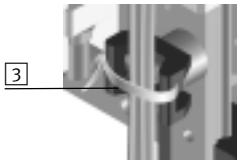
1

1 Proximity sensor cables are installed via profile slots in the side and back plate.



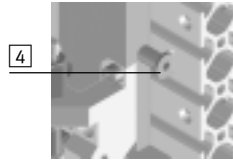
2

2 The pressure piece guarantees freedom from backlash and precision at the end positions and in the effective linear stroke along the Z-axis.



3

3 Cable binder holders facilitate the secure routing of tubing and cables.



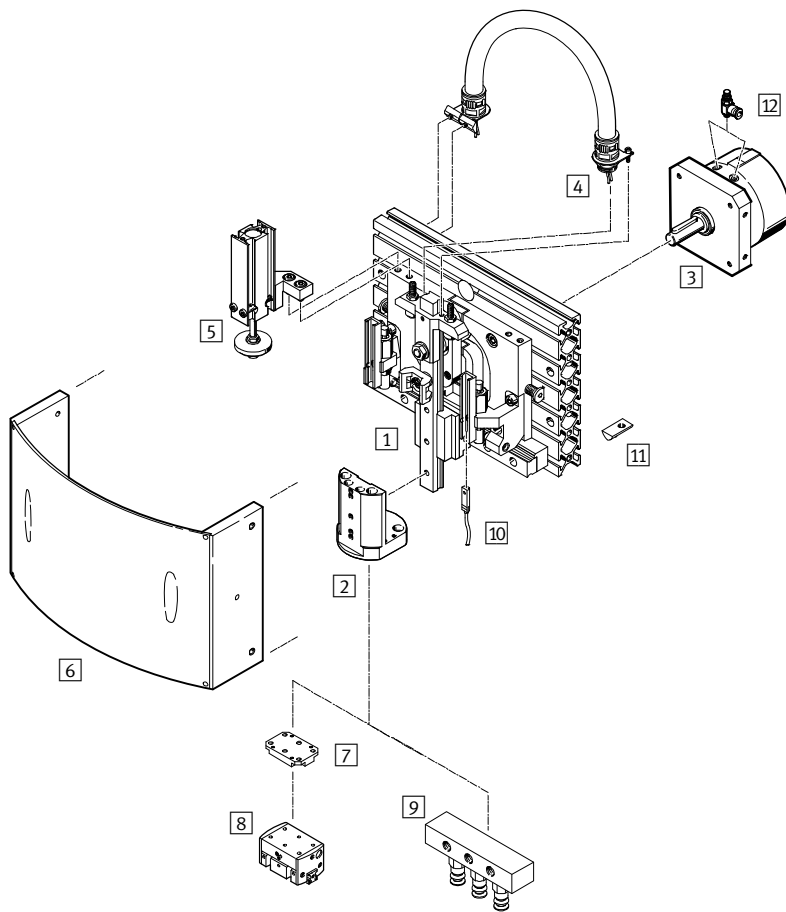
4

4 The adjustable slotted guide plate permits precise stroke setting.

Handling modules HSP

Peripherals overview

FESTO



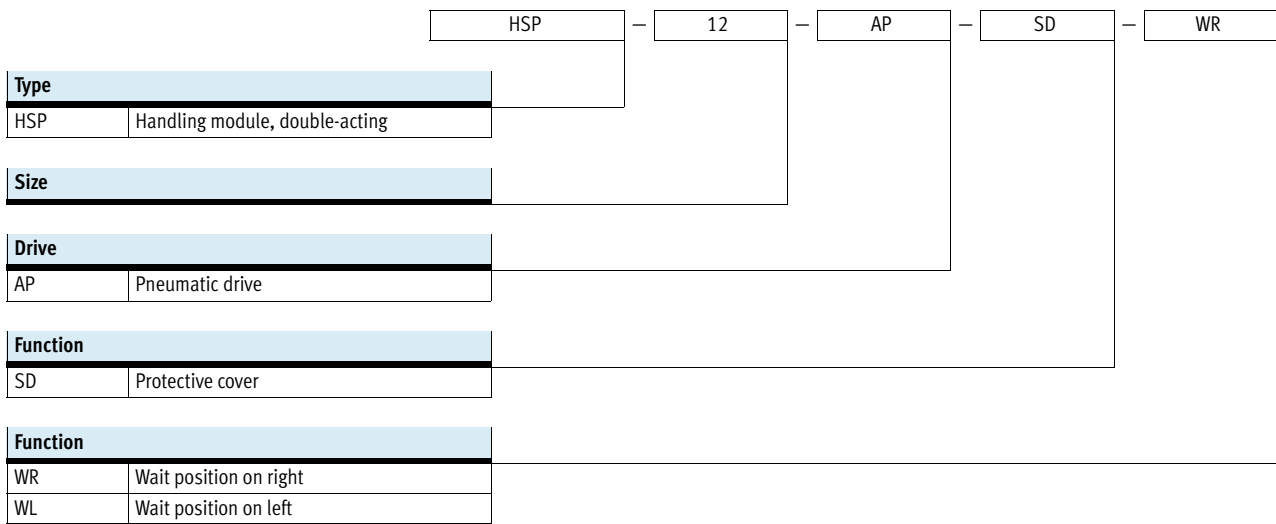
Handling modules HSP

Peripherals overview

Accessories		
	Description	→ Page/Internet
1	Handling module HSP	Standard module without accessories 9
2	Adapter kit HAPG	Interface for grippers, semi-rotary drives, etc. 21
3	Swivel module DSM	Pneumatic drive, adapted to each size dsm
4	Installation kit MKRP	Conduit to protect electric cables and tubing 21
5	Wait position module BWL-/BWR-HSP	With pneumatic drive: Function for retracting the swivel arm from operating area 22
6	Cover kit BSD-HSP	To protect against accidental contact 22
7	Adapter kit	Interface between HSP and gripper gripper
8	Gripper	Parallel/Three-point/Radial/Angle gripper, appropriate gripper for every application gripper
9	Suction cups	Appropriate suction cup for every application suction cup
10	Proximity sensor SME-/SMT-8	Sensing facility for end positions 23
11	Slot nut HMBN	Mounting element 23
12	Non-return and flow control valve GRLA	Speed setting of pneumatic drives gla

Handling modules HSP, pneumatic

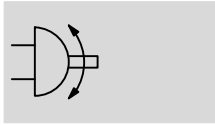
Type codes



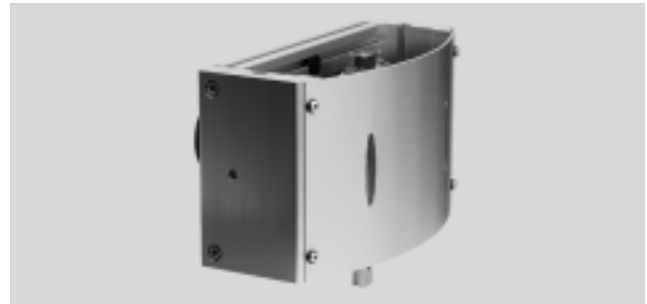
Handling modules HSP, pneumatic




Technical data

Function



 www.festo.com

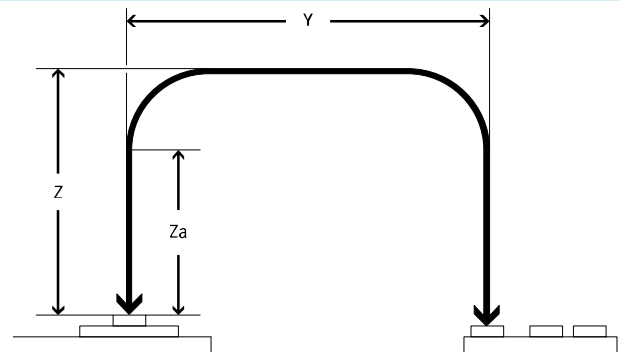


-  Size
12, 16 and 25
-  Y-stroke length
52 ... 170
-  Z-stroke length
20 ... 70

General technical data	
Type	HSP...-AP
Pneumatic connection	M5
Mode of operation	Double-acting
Operating medium	Compressed air in accordance with ISO 8573-1:2010 [7:-:-]
Note on operating/pilot medium	Operation with lubricated medium possible (in which case lubricated operation will always be required)
Constructional design	Swivel module
	Cross-guide
	Guided motion sequence
Cushioning	Shock absorber at both ends, soft characteristic curve
Position sensing	For proximity sensing
Type of mounting	With through-holes
	With slot nuts
Mounting position	Guide rail, vertical/horizontal

Operating and environmental conditions	
Type	HSP...-AP
Operating pressure [bar]	4 ... 8
Ambient temperature [°C]	0 ... +60

Stroke [mm]				
Size		12	16	25
Y-axis				
Stroke		52 ... 68	90 ... 110	130 ... 170
Z-axis				
Stroke	Z	20 ... 30	35 ... 50	50 ... 70
Working stroke	Za	5 ... 15	5 ... 20	5 ... 25



Forces [N]			
Size	12	16	25
Z-axis			
Effective force at 6 bar	40	50	65
Y-axis			
Permissible process force	30	35	50

Handling modules HSP, pneumatic

Technical data

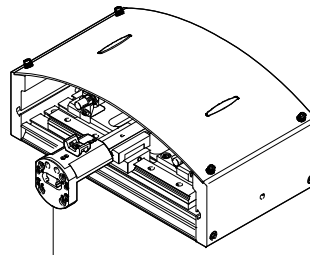
FESTO

Weight [g]			
Size	12	16	25
HSP...-AP	1,900	3,300	6,400
HSP...-AP-SD	2,600	4,600	7,600
HSP...-AP-SD-WR	2,800	4,800	8,100
HSP...-AP-SD-WL	2,800	4,800	8,100

Repetition accuracy [mm]

To ensure low-vibration operation, the working load should be mounted as close as possible to the guide rail of the handling module.
Repetition accuracy is guaranteed by

mounting the working load (adapter plate, rotary drive and/or gripper, gripper finger, workpiece) within the mounting surface of the adapter kit HAPG.



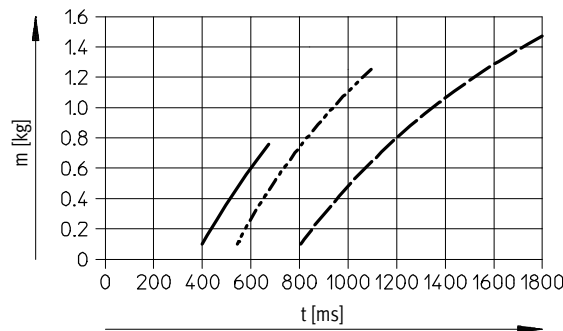
Mounting surface of HAPG

Size	12	16	25
Repetition accuracy at end positions	±0.01	±0.01	±0.02

Travel times t as a function of working load m

The travel time t is the time taken for the handling module to move from one end position to the other and back again.

The working load m is the load attached to the vertical guide rail (e.g. adapter, gripper, semi-rotary drive and workpiece).



— HSP-12-AP
- - - HSP-16-AP
- · - HSP-25-AP

Cycle times [s]

The cycle time t_t comprises the travel time t and the dwell time t_e at the end positions.

$t_t = \text{travel time } t + \text{dwell time } t_e$
The value must not fall below the minimum cycle time.

Size	12	16	25
Min. cycle time	0.6	0.8	1.0

Example for HSP-12-AP

Step 1:
The following values are assumed:
Working load $m = 0.15 \text{ kg}$
Dwell time $t_e = 2 \times 50 \text{ ms}$
(50 ms per end position)

Step 2:
The travel time can be determined from the graph:
 $t = 400 \text{ ms}$

Step 3:
This gives us a cycle time:
 $t_t = 400 \text{ ms} + 100 \text{ ms} = 500 \text{ ms}$

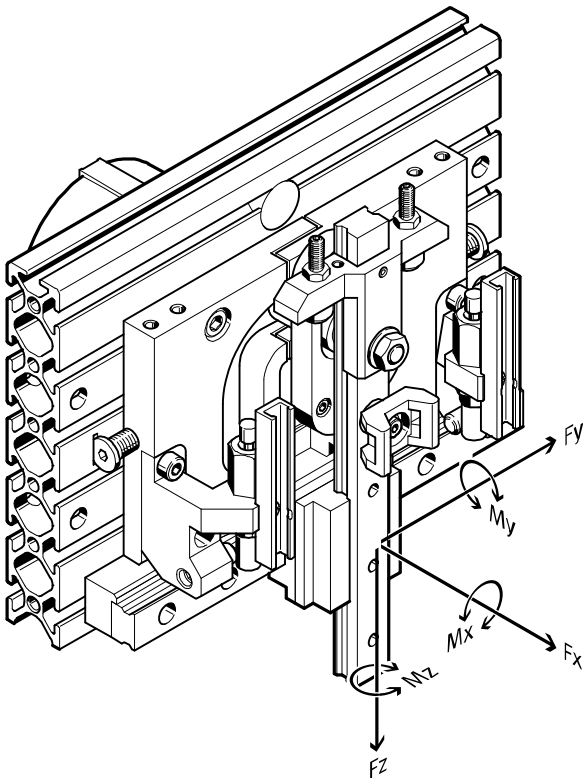
Step 4:
The table gives us a min. cycle time of 600 ms. This means that the movement has to be controlled.

Handling modules HSP, pneumatic

Technical data

Permissible static/dynamic characteristic load values

Cross-guide



-  - Note

The torques apply to the centre of the vertical guide.

Combined load

The following torque equation must be satisfied with combined load:

$$\frac{M_x}{M_{xperm.}} + \frac{M_y}{M_{yperm.}} + \frac{M_z}{M_{zperm.}} \leq 1$$

Dynamic characteristic load values

Size	12	16	25
Max. torques [Nm] $M_{xperm.}, M_{yperm.}, M_{zperm.}$	1.1	2.4	3.2

Combined load

The following torque equation must be satisfied with combined load:

$$\frac{M_{ox}}{M_{oxperm.}} + \frac{M_{oy}}{M_{oyperm.}} + \frac{M_{oz}}{M_{ozperm.}}$$

Static characteristic load values

Size	12	16	25
Max. torques [Nm] $M_{oxperm.}, M_{oyperm.}, M_{ozperm.}$	5	10	15

Handling modules HSP, pneumatic

Technical data

FESTO

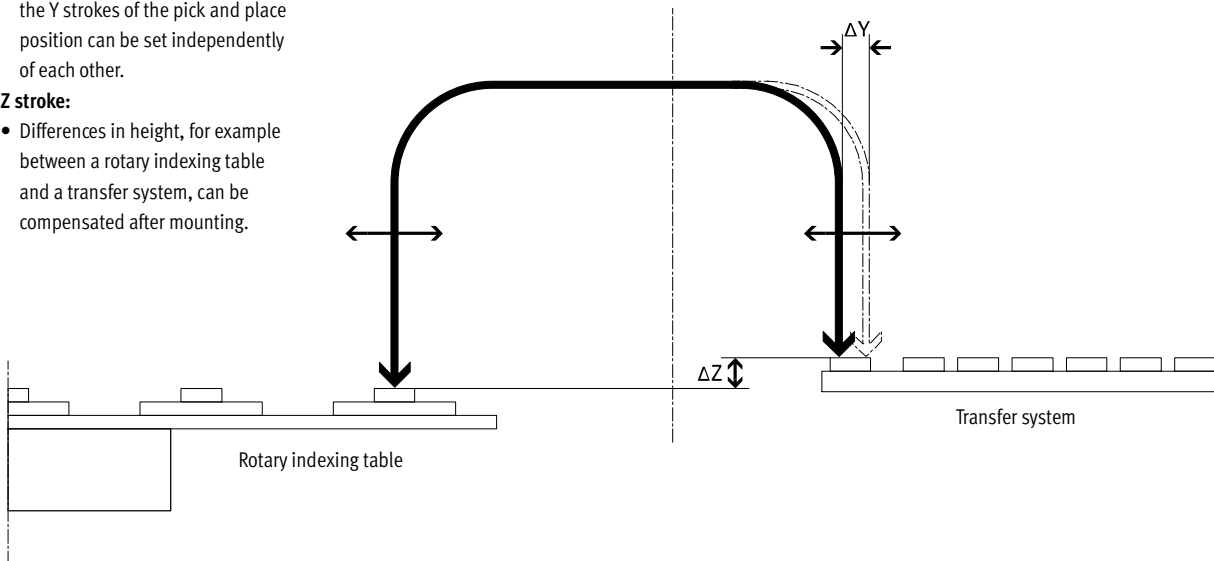
Stroke adjustment

Y stroke:

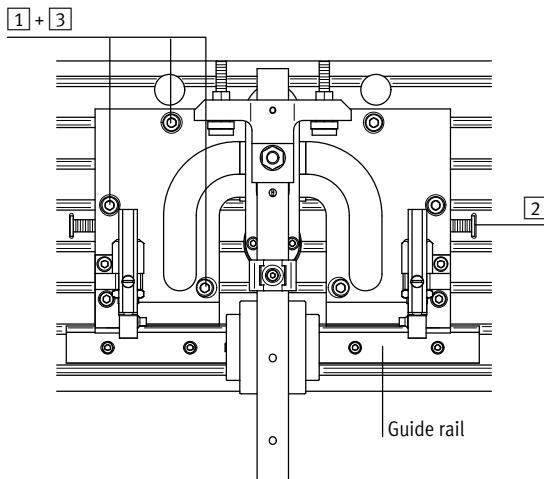
- Once the HSP has been mounted, the Y strokes of the pick and place position can be set independently of each other.

Z stroke:

- Differences in height, for example between a rotary indexing table and a transfer system, can be compensated after mounting.



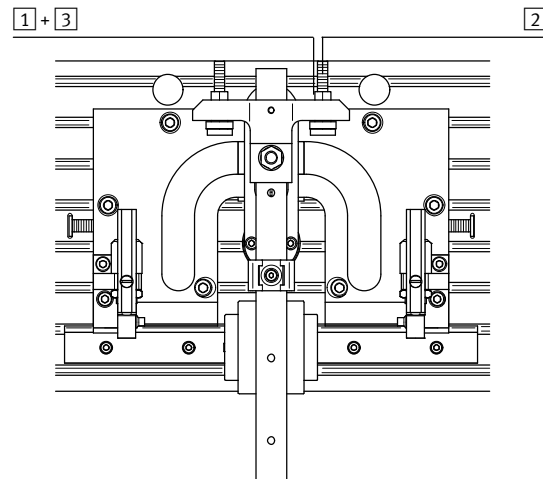
Y-axis (horizontal)



Procedure:

- Loosen the screws
- Adjust the slotted guide plate using the adjustment screw (the slotted guide plate must always make contact with the guide rail)
- Tighten the screws

Z-axis (vertical)



Procedure:

- Loosen the lock nut
- Set the desired Z stroke using the set screw
- Tighten the lock nut

Handling modules HSP, pneumatic

Technical data

Wait position module

Application and mode of operation

Figure 1:

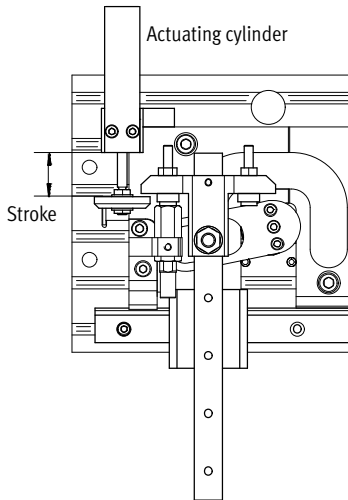
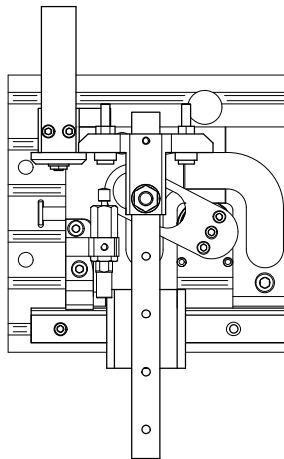
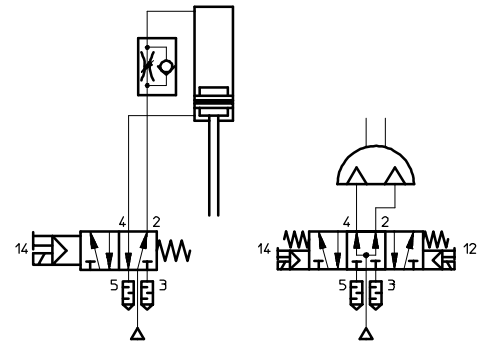


Figure 2:



Circuit diagram for HSP with wait position module

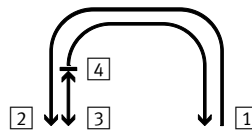


- 1 The handling module HSP is at the right-hand end position. The actuating cylinder is extended in its initial position.
- 2 The 5/3-way valve is reset once the handling module reaches the left-hand end position. (Figure 1)
- 3 During retraction, the actuating

cylinder pulls the handling module upwards to its wait position. The operating area is then free. (Figure 2)

- 4 From the wait position, the handling module can move either to the initial position or to the other end position.

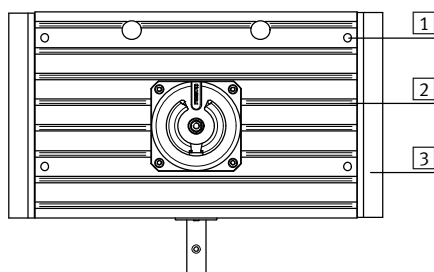
Cycle



Note
When used in combination with the wait position module, the handling module HSP must be actuated using a 5/3-way valve (normally pressurised). The actuating cylinder is actuated using a 5/2-way valve. The actuating cylinder may only be used for "pulling" applications.

Size	HSP-12	HSP-16	HSP-25
Max. Z stroke of wait position module	15	25	25

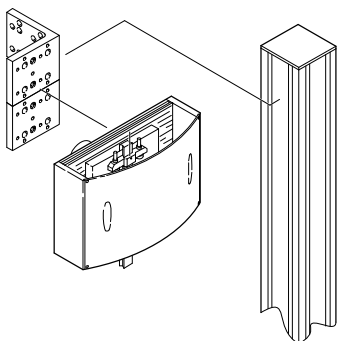
Mounting options



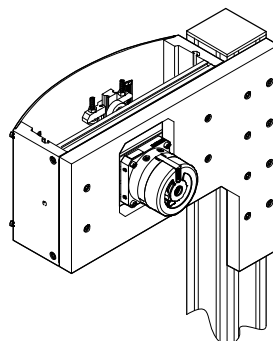
- 1 Direct mounting via through-holes
- 2 Via slot nuts
- 3 User-specific

Examples:

With adapter kit HMBV



User-specific



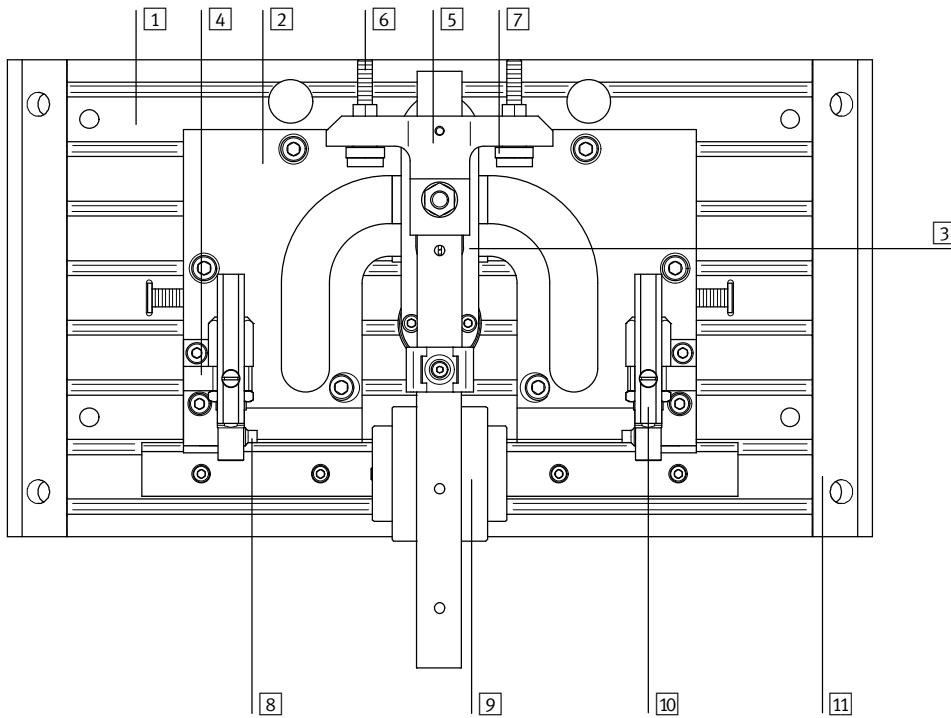
Handling modules HSP, pneumatic

Technical data

FESTO

Materials

Sectional view of handling module HSP



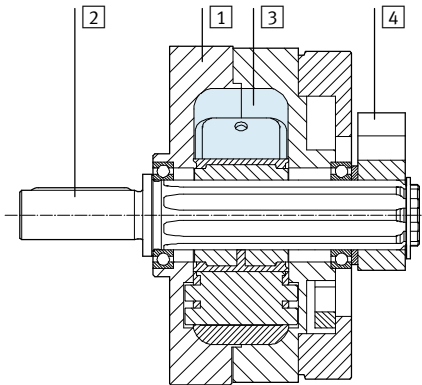
Handling module	
1	Back plate Wrought aluminium alloy, anodised
2	Slotted guide plate Case-hardened steel, burnished
3	Swivel lever Case-hardened steel, burnished
4	Retainer Wrought aluminium alloy, anodised
5	Flange Wrought aluminium alloy, anodised
6	Adjusting screw High-alloy steel
7	Stop sleeve High-alloy steel
8	Pressure piece High-alloy steel
9	Cross-guide Tempered steel
10	Sensor rail Wrought aluminium alloy, anodised
11	Housing Wrought aluminium alloy, anodised
Material note Copper and PTFE-free	

Handling modules HSP, pneumatic

Technical data

Materials

Sectional view of swivel module DSM



Swivel module		
1	Housing	Wrought aluminium alloy
2	Shaft	Steel with nickel-plated surface
3	Rotary vane	Fibreglass reinforced plastic
4	Stop lever	Anodised aluminium
-	Cap	Fibreglass reinforced plastic
-	Seals	Polyurethane
-	Material note	Copper and PTFE-free

Handling modules HSP, pneumatic

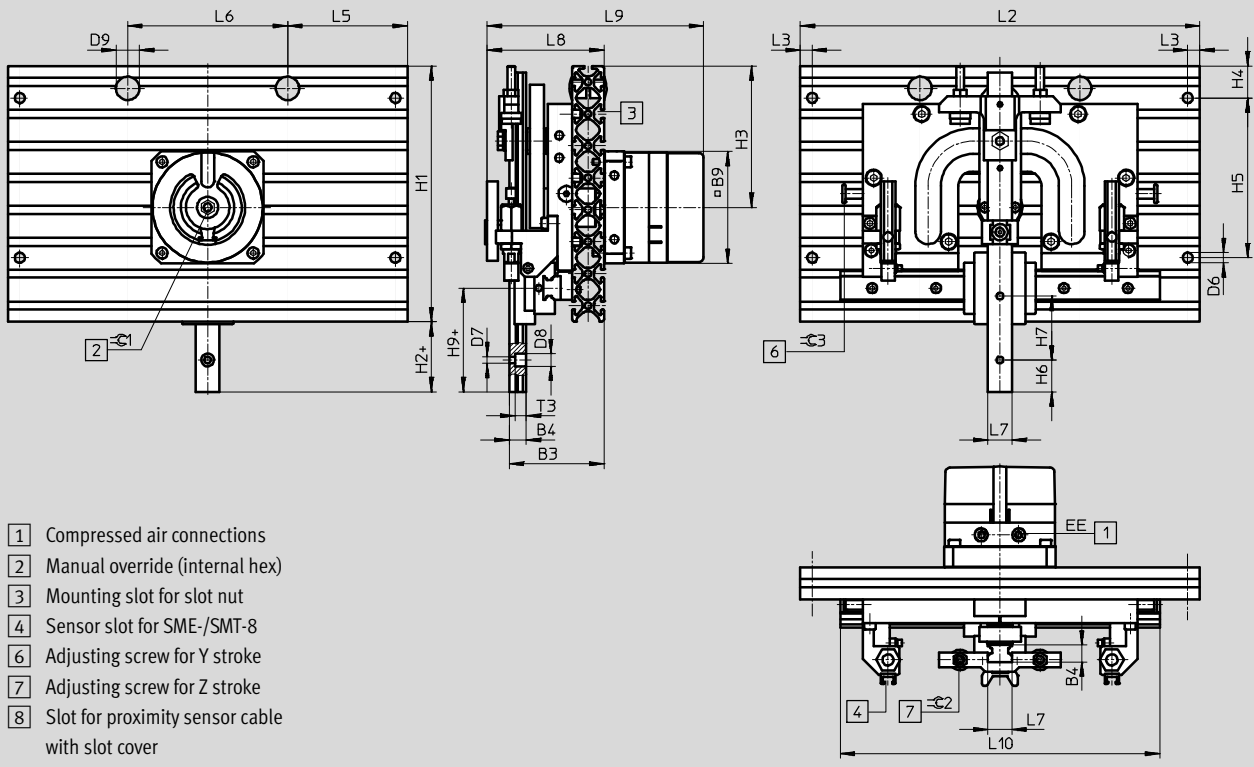
Technical data

FESTO

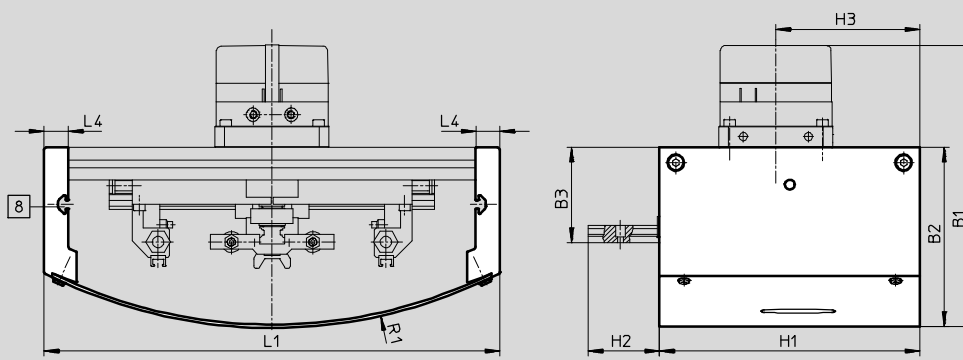
Dimensions

Download CAD data → www.festo.com

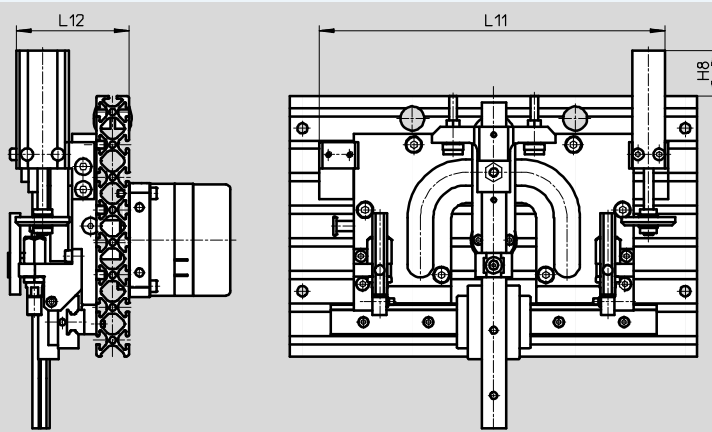
With swivel module DSM



With swivel module DSM and protective cover



With wait position on right



Handling modules HSP, pneumatic

Technical data

Size	B1 ±3	B2 ±2	B3 ±0.5	B4	B9	D6 ∅	D7 ∅	D8 ∅	D9 ∅
12	150	93	56	9 ^{-0.03}	56	6.3	3.5	6.2	13
16	179	111	60	10.6 ^{-0.03}	70	6.3	4.3	8	13
25	188	115	62	10 ^{±0.05}	83	6.3	4.5	10	13

Size	EE	H1	H2 ±0.2	H3	H4	H5 ±0.2	H6	H7	H8
12	M5	120	34	66	40	40	12.5	25	30
16	M5	160	44	88.5	20	100	20	40	33
25	M5	200	75	110	40	100	20	30	13

Size	H9	L1 ±0.6	L2 ±0.2	L3	L4	L5	L6	L7	L8 ±1.2
12	44	200	170	7.5	15	85	-	12 ^{-0.01/-0.05}	65
16	65	280	250	7.5	15	75	100	15 ^{-0.01/-0.05}	73
25	101	370	340	7.5	15	30	280	23.2 ^{±0.05}	80

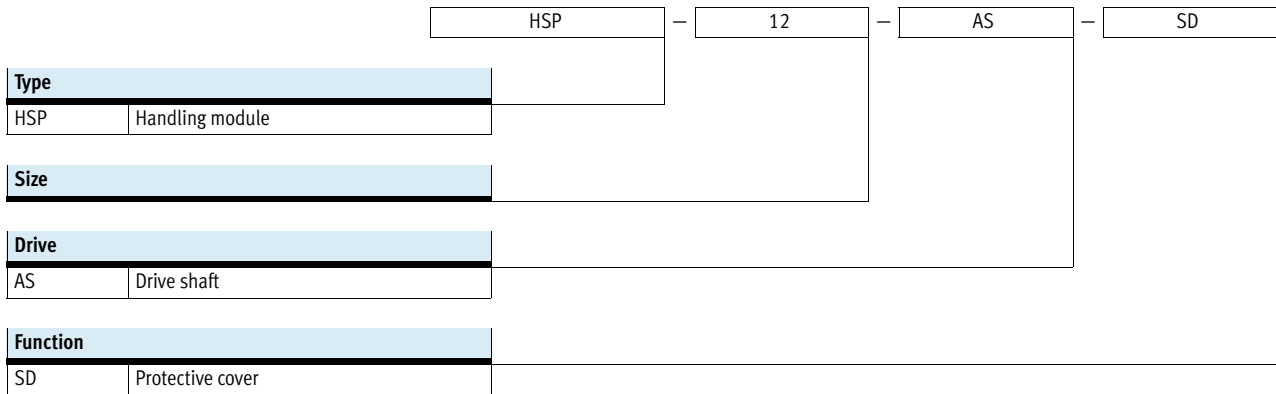
Size	L9 ±3	L10	L11 ¹⁾	L12	R1	T3	≈C1	≈C2	≈C3
12	122	150	141.5	64	200	6	6	2	3
16	142	200	210	69	306	6.5	8	2.5	3
25	153	250	277	79	484	6.3	8	2.5	4

1) If the Y stroke is increased, the change in stroke must be added to the dimension.

Ordering data for HSP-...-AP									
Size	12		16		25				
	Part No.	Type	Part No.	Type	Part No.	Type			
Without protective cover									
-	533599	HSP-12-AP	533607	HSP-16-AP	533615	HSP-25-AP			
Wait position on right	533603	HSP-12-AP-WR	533611	HSP-16-AP-WR	533619	HSP-25-AP-WR			
Wait position on left	533604	HSP-12-AP-WL	533612	HSP-16-AP-WL	533620	HSP-25-AP-WL			
With protective cover									
-	533600	HSP-12-AP-SD	533608	HSP-16-AP-SD	533616	HSP-25-AP-SD			
Wait position on right	533601	HSP-12-AP-SD-WR	533609	HSP-16-AP-SD-WR	533617	HSP-25-AP-SD-WR			
Wait position on left	533602	HSP-12-AP-SD-WL	533610	HSP-16-AP-SD-WL	533618	HSP-25-AP-SD-WL			

Handling modules HSP, without drive

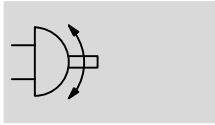
Type codes



Handling modules HSP, without drive




Technical data

Function



 www.festo.com

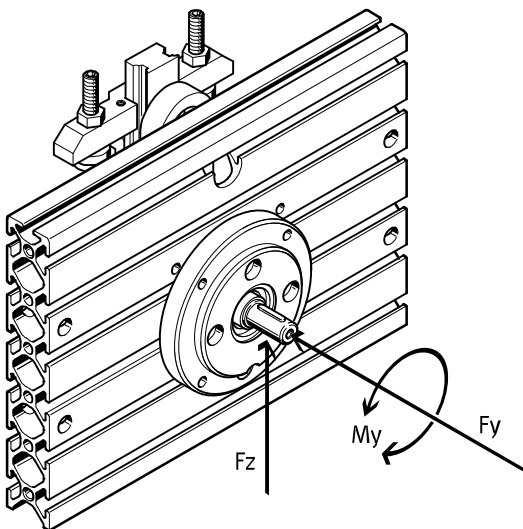



-  Diameter
12, 16 and 25
-  Y-stroke length
52 ... 170
-  Z-stroke length
20 ... 70

General technical data	
Type	HSP...-AS
Constructional design	Drive shaft
	Cross-guide
	Guided motion sequence
Cushioning	Noise reduction via buffers
Type of mounting	With through-holes
	With slot nuts
Mounting position	Guide rail, vertical/horizontal

Weight [g]			
Size	12	16	25
HSP...-AS	1800	3100	6200
HSP...-AS-SD	2500	4300	7400

Permissible static/dynamic characteristic load values



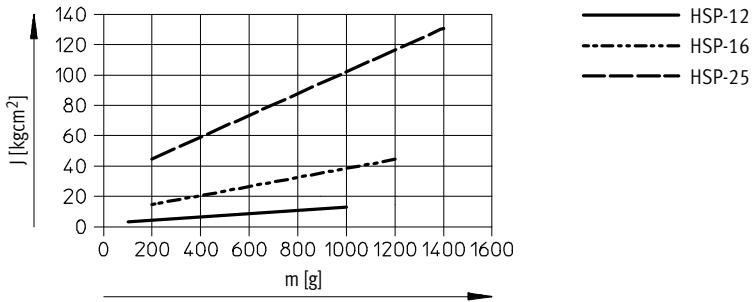
 Note
Technical data for mechanical components → page 11.

Characteristic load values				
Size		12	16	25
Max. axial force $F_{Yperm.}$	[N]	18	30	50
Max. radial force $F_{Zperm.}$	[N]	45	75	120
Max. drive torque $M_{Yperm.}$	[Nm]	1.25	2.5	5

Handling modules HSP, without drive

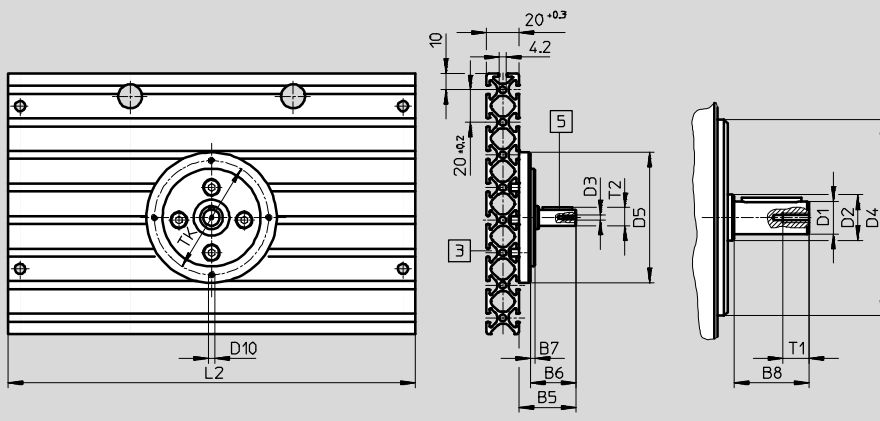
Technical data

Mass moment of inertia J_0 as a function of working load m (for cylinder sizing)



Dimensions

Download CAD data → www.festo.com



- Basic dimensions
 → page 16
 [3] Mounting slot for slot nut
 [5] Woodruff key

Size	B5	B6	B7	B8	D1 ∅ g7	D2 ∅	D3
12	29	22	3	17.5	8	12.5	M3
16	35	28	3	23	10	14	M3
25	44	36	4	30	12	17	M4

Size	D4 ∅ f8	D5 ∅	D10	L2 ±0.2	T1	T2 max.	TK ±0.1
12	45	65	M4	170	9	8.8	55
16	60	80	M4	250	9	11.2	70
25	70	95	M5	340	10	13.5	82

Ordering data for HSP-...-AS

Size	12		16		25	
	Part No.	Type	Part No.	Type	Part No.	Type
Without protective cover	533605	HSP-12-AS	533613	HSP-16-AS	533621	HSP-25-AS
With protective cover	533606	HSP-12-AS-SD	533614	HSP-16-AS-SD	533622	HSP-25-AS-SD

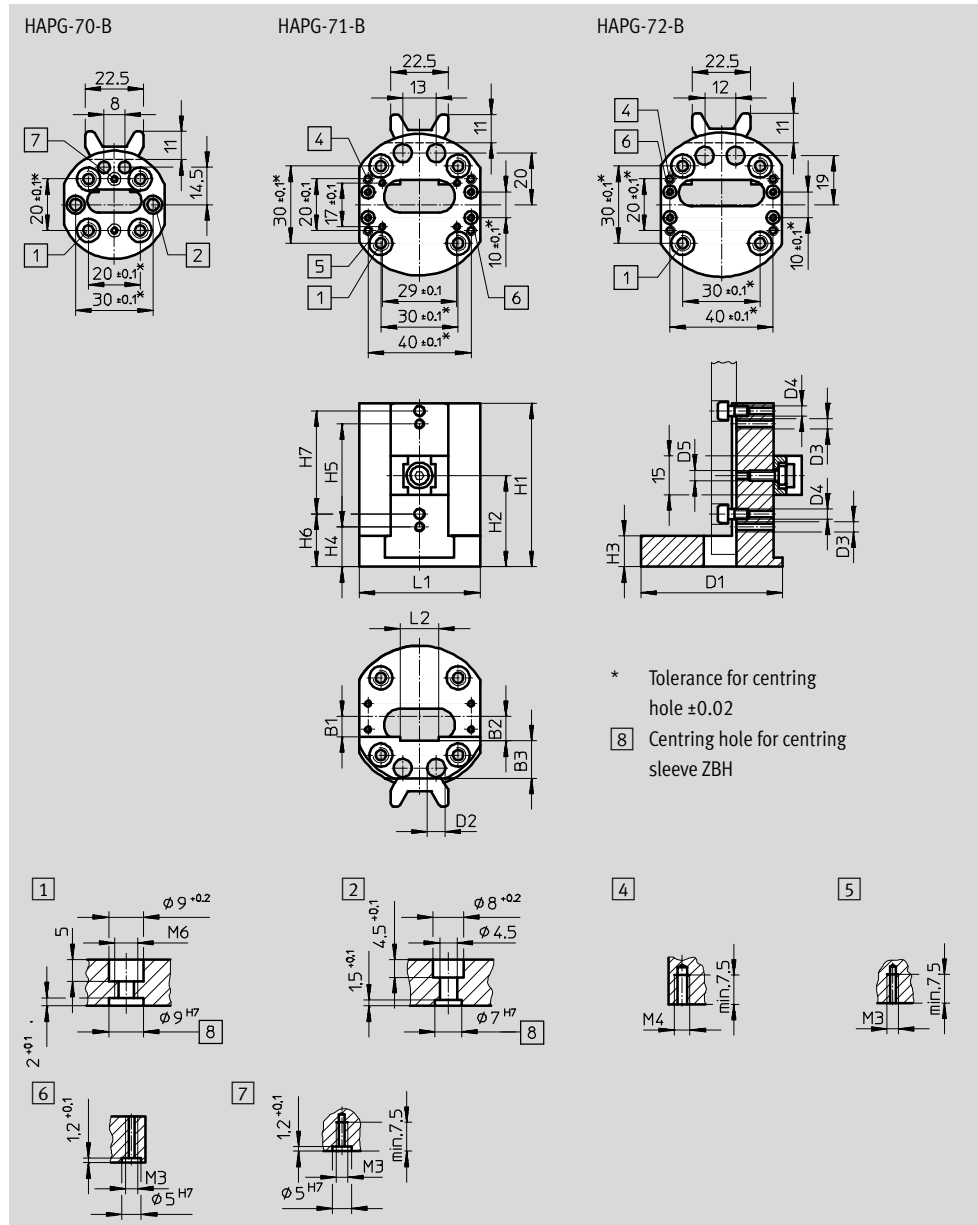
Handling modules HSP

Accessories



Adapter kit HAPG-B

Material:
Wrought aluminium alloy, anodised



Dimensions and ordering data										
Type	B1	B2	B3	D1	D2	D3	D4	D5	H1	H2
		+0.2		∅	∅					
HAPG-70-B	5	6	11.5	42	4.5	-	M3	M4	50	28.5
HAPG-71-B	8	9.5	14.5	56	7	M4	M4	M4	63.5	35.5
HAPG-72-B	8	9.5	15	56	7	-	M4	M4	60	41.5

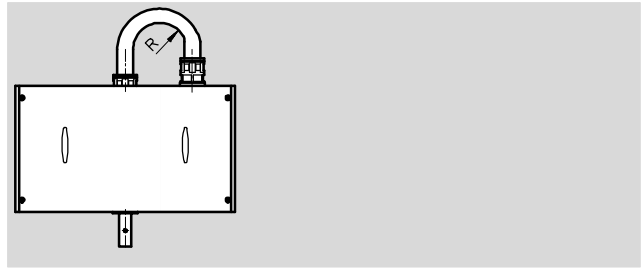
Type	H3	H4	H5	H6	H7	L1	L2	Weight	Part No.	Type
		+0.2	± 0.2	+0.2	± 0.2		+0.1	[g]		
HAPG-70-B	12	-	-	15	25	39	12	55	540881	HAPG-70-B
HAPG-71-B	12	15.5	40	20.5	40	47	15	110	540882	HAPG-71-B
HAPG-72-B	12	-	-	20.5	30	47	23.2	115	540883	HAPG-72-B

Handling modules HSP

Accessories

Installation kit MKRP

Material:
 Conduit/fitting: Polyamide
 Reducer/lock nut:
 Nickel-plated brass
 Adapter plate/bracket:
 Powder-coated steel



Ordering data					
For size	Max. bending radius for conduit ¹⁾	Tubing I.D.	Weight	Part No.	Type
	R	[mm]	[g]		
12	55	12	150	533632	MKRP-1
16	75	16.5	160	533633	MKRP-2
25	75	16.5	160	533634	MKRP-3

1) The conduit must not be filled beyond 70%.

Cover kit BSD-HSP

Material:
 Wrought aluminium alloy, anodised



Dimensions HSP-...-AP → page 16
 HSP-...-AS → page 20

Ordering data			
For size	Weight	Part No.	Type
	[g]		
12	825	533635	BSD-HSP-12
16	1 350	533636	BSD-HSP-16
25	1 770	533637	BSD-HSP-25

Wait position module BWL-/BWR-HSP for HSP-...-AP

Material:
 Wrought aluminium alloy, anodised



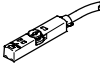
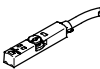
Dimensions → page 16

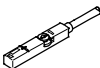


Ordering data				
For size	Wait position	Weight	Part No.	Type
		[g]		
12	Right	75	533623	BWR-HSP-12
	Left	75	533624	BWL-HSP-12
16	Right	135	533625	BWR-HSP-16
	Left	135	533626	BWL-HSP-16
25	Right	275	533627	BWR-HSP-25
	Left	275	533628	BWL-HSP-25



Handling modules HSP

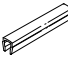
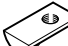
Accessories

FESTO

Ordering data – Proximity sensors for T-slot, magneto-resistive						Technical data → Internet: smt	
	Type of mounting	Switch output	Electrical connection	Cable length [m]	Part No.	Type	
N/O contact							
	Insertable in the slot from above, flush with cylinder profile, short design	PNP	Cable, 3-wire	2.5	574335	SMT-8M-A-PS-24V-E-2,5-OE	
			Plug M8x1, 3-pin	0.3	574334	SMT-8M-A-PS-24V-E-0,3-M8D	
			Plug M12x1, 3-pin	0.3	574337	SMT-8M-A-PS-24V-E-0,3-M12	
		NPN	Cable, 3-wire	2.5	574338	SMT-8M-A-NS-24V-E-2,5-OE	
			Plug M8x1, 3-pin	0.3	574339	SMT-8M-A-NS-24V-E-0,3-M8D	
N/C contact							
	Insertable in the slot from above, flush with cylinder profile, short design	PNP	Cable, 3-wire	7.5	574340	SMT-8M-A-PO-24V-E-7,5-OE	

Ordering data – Proximity sensors for T-slot, magnetic reed						Technical data → Internet: sme		
	Type of mounting	Switch output	Electrical connection	Cable length [m]	Part No.	Type		
N/O contact								
	Insertable in the slot from above, flush with cylinder profile	Contacting	Cable, 3-wire	2.5	543862	SME-8M-DS-24V-K-2,5-OE		
				5.0	543863	SME-8M-DS-24V-K-5,0-OE		
			Plug M8x1, 3-pin	Cable, 2-wire	2.5	543872	SME-8M-ZS-24V-K-2,5-OE	
				0.3	543861	SME-8M-DS-24V-K-0,3-M8D		
	Insertable in the slot lengthwise, flush with the cylinder profile	Contacting	Cable, 3-wire	2.5	150855	SME-8-K-LED-24		
			Plug M8x1, 3-pin	0.3	150857	SME-8-S-LED-24		
N/C contact								
	Insertable in the slot lengthwise, flush with the cylinder profile	Contacting	Cable, 3-wire	7.5	160251	SME-8-0-K-LED-24		

Ordering data – Connecting cables					Technical data → Internet: nebu	
	Electrical connection, left	Electrical connection, right	Cable length [m]	Part No.	Type	
	Straight socket, M8x1, 3-pin	Cable, open end, 3-wire	2.5	541333	NEBU-M8G3-K-2.5-LE3	
			5	541334	NEBU-M8G3-K-5-LE3	
	Straight socket, M12x1, 5-pin	Cable, open end, 3-wire	2.5	541363	NEBU-M12G5-K-2.5-LE3	
			5	541364	NEBU-M12G5-K-5-LE3	
	Angled socket, M8x1, 3-pin	Cable, open end, 3-wire	2.5	541338	NEBU-M8W3-K-2.5-LE3	
			5	541341	NEBU-M8W3-K-5-LE3	
	Angled socket, M12x1, 5-pin	Cable, open end, 3-wire	2.5	541367	NEBU-M12W5-K-2.5-LE3	
			5	541370	NEBU-M12W5-K-5-LE3	

Ordering data			Technical data → Internet: abp, hmbn	
	Brief description	Part No.	Type	
Slot cover for T-slot				
	For protecting against ingress of dirt and securing proximity sensor cables. Scope of delivery: 2x 0.5 m	151680	ABP-5-S	
Slot nut for back plate				
	Inserted from above	189654	HMBN-5-M5	