



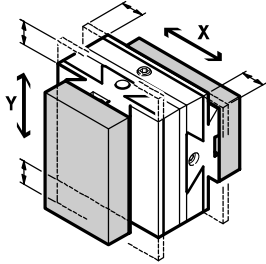
- Permits easy adjustment
- Wide choice of mounting options

# Adjusting units HMXY

Key features

## At a glance

Mounting options



- Precision adjusting unit in X and Y directions
- Allows easy adjustment of grippers to obtain precise gripping position
- Versatile precision interfaces using centring sleeves
- Wide choice of mounting options:
  - Direct mounting
  - Dovetail mounting

## Combination with drives and grippers

Mounting on the basic components → page 5



Adapter kits

- Direct mounting
- Dovetail mounting

Adjusting unit HMXY

- Interface between basic component and attachment component



Adapter kits

- Direct mounting
- Dovetail mounting

Mounting the attachment components → page 6



Mini slide  
DGSL



Mini slide  
SLT

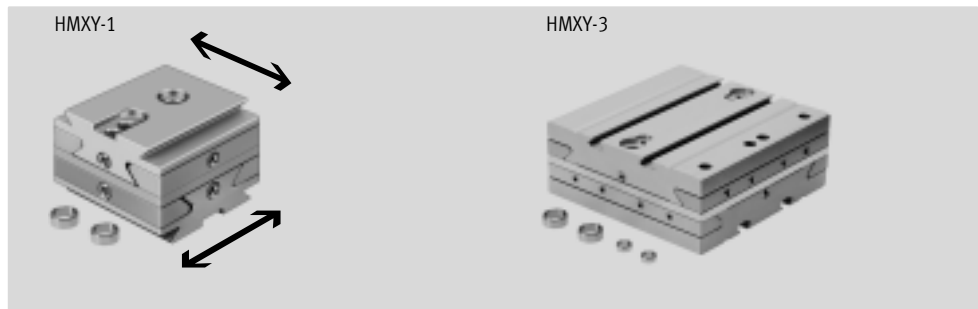


Gripper  
DHPS, DHRS, DHDS, DHWS,  
HGDT, HGDD, HGPP

# Adjusting units HMX

Technical data

Adjusting unit

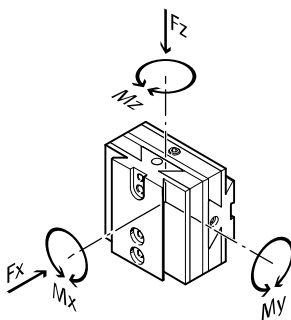


General technical data		HMX-1	HMX-3
Positioning distance	y [mm]	7.5	7.5
	z [mm]	7.5	7.5
Max. static characteristic load values → Fig. 1	Forces		
	$F_x$ [N]	50	160
	$F_z$ [N]	50	160
	Torques		
	$M_x$ [Nm]	1.4	20
	$M_y$ [Nm]	1.4	20
Mass moment of inertia → Fig. 2	$J_x$ [ $\text{kgm}^2 \times 10^{-4}$ ]	0.499	8.650
	$J_y$ [ $\text{kgm}^2 \times 10^{-4}$ ]	0.361	5.121
	$J_z$ [ $\text{kgm}^2 \times 10^{-4}$ ]	0.361	5.121
Weight	[g]	155	2324
Ambient temperature	[°C]	5 ... 60	
Corrosion resistance class CRC <sup>1)</sup>		2	
Material		Anodised aluminium	
Note on materials		Free of copper and PTFE	

1) Corrosion resistance class CRC 2 to Festo standard FN 940070  
Moderate corrosion stress. Indoor applications in which condensation may occur. External visible parts with primarily decorative requirements for the surface and which are in direct contact with the ambient atmosphere typical for industrial applications.

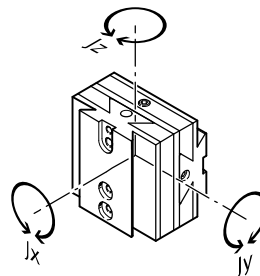
## Max. permissible static characteristic load values

Fig. 1



## Mass moment of inertia

Fig. 2



# Adjusting units HMX

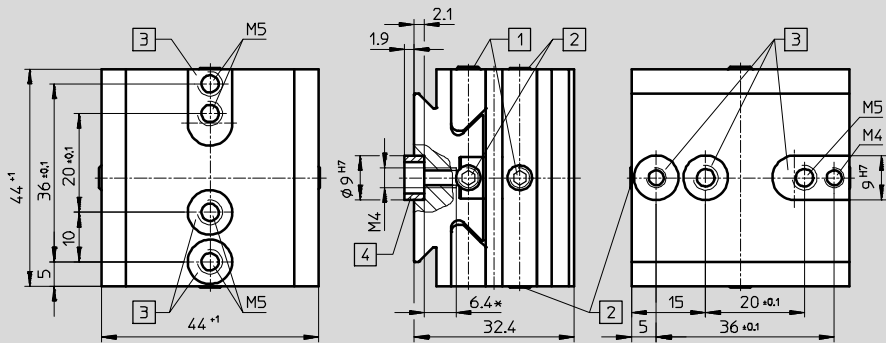
Technical data

FESTO

## Dimensions

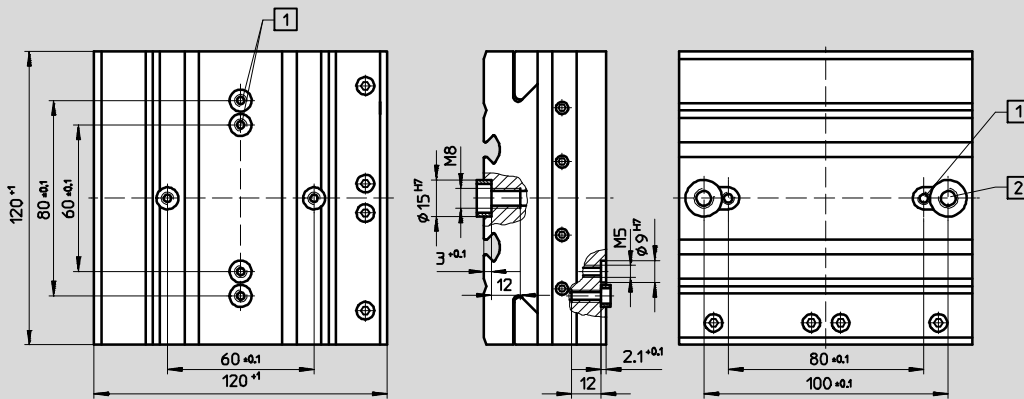
Download CAD data → [www.festo.com](http://www.festo.com)

### HMX-1



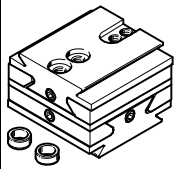
- 1 Locking screw
  - 2 Adjusting screw
  - 3 Centring hole/slot
  - 4 For centring sleeve ZBH-9 (2 included in the scope of delivery)
- \* For M4 and M5 threads

### HMX-3



- 1 For centring sleeve ZBH-9 (2 included in the scope of delivery)
- 2 For centring sleeve ZBH-15 (2 included in the scope of delivery)

## Ordering data

	Part No.	Type
	187582	HMX-1
	526030	HMX-3

# Adjusting units HMX

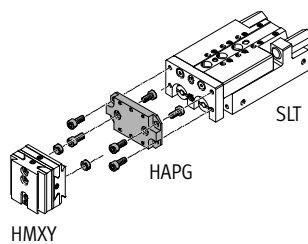
Technical data – Mounting on the basic components

## Mounting on mini slide SLT

Material:

Adapter kit HAPG: Wrought aluminium alloy

Free of copper and PTFE

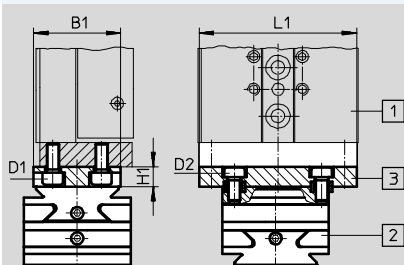


Direct mounting

## Dimensions and ordering data

Download CAD data → [www.festo.com](http://www.festo.com)

Direct mounting



- 1 Mini slide SLT
- 2 Adjusting unit HMX
- 3 Adapter kit HAPG

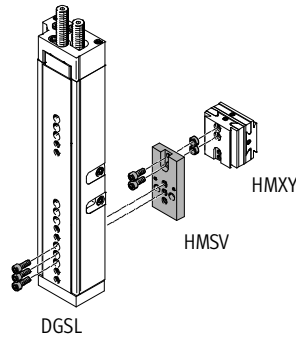
Basic component	Adjusting unit	B1	H1	L1	Screws D1	Screws D2	Part No.	Type
SLT-16	HMX-1	36	8	65	M5x10	M5x12	191266	HAPG-48
SLT-20		44	10	80	M5x12	M5x14	191268	HAPG-50
SLT-25	HMX-1/3	44	12	91	M6x16	M5x14	191270	HAPG-52

# Adjusting units HMXY

Technical data – Mounting the attachment components

## Mounting on mini slide DGSL

Material:  
 Adapter kit HMSV:  
 Wrought aluminium alloy  
 Free of copper and PTFE

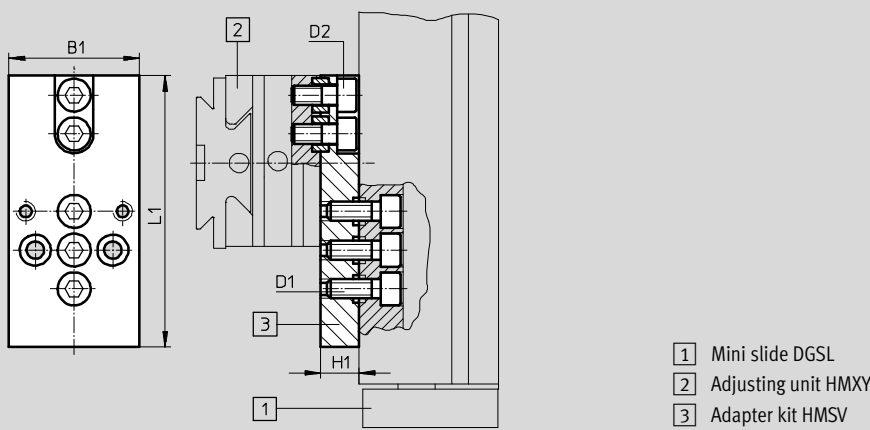


Direct mounting

## Dimensions and ordering data

Download CAD data → [www.festo.com](http://www.festo.com)

Direct mounting



- 1 Mini slide DGSL
- 2 Adjusting unit HMXY
- 3 Adapter kit HMSV

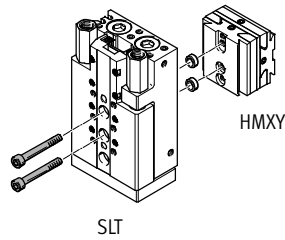
Attachment component	Adjusting unit	B1	D1	D2	H1	L1	Part No.	Type
DGSL-4/6	HMXY-1	33.6	M3	M5	10	87	548787	HMSV-57
DGSL-8/10	HMXY-1	33.6	M4	M5	10	87		
DGSL-12/16	HMXY-1	33.6	M5	M5	10	70	548782	HMSV-52
DGSL-20/25	HMXY-3	40	M6	M5	10	100	548929	HMSV-60

# Adjusting units HMXY

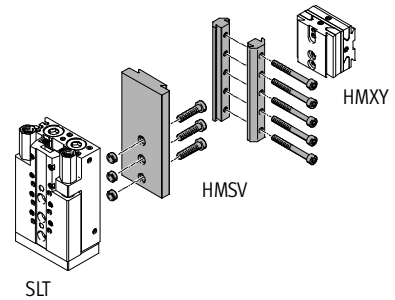
Technical data – Mounting the attachment components

## Mounting on mini slide SLT

Material:  
 Adapter kit HMSV: Wrought aluminium alloy  
 Free of copper and PTFE



Direct mounting

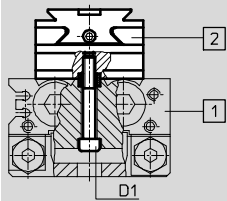


Dovetail mounting

## Dimensions and ordering data

Download CAD data → [www.festo.com](http://www.festo.com)

### Direct mounting

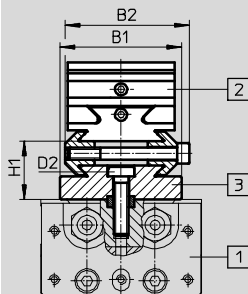


- 1 Mini slide SLT
- 2 Adjusting unit HMXY

Attachment component	Adjusting unit	Screws <sup>1)</sup>
SLT-16	HMXY-1	D1 2x M5x38

1) The screws listed are not included in the scope of delivery of the adjusting unit.

### Dovetail mounting



- 1 Mini slide SLT
- 2 Adjusting unit HMXY
- 3 Adapter kit HMSV

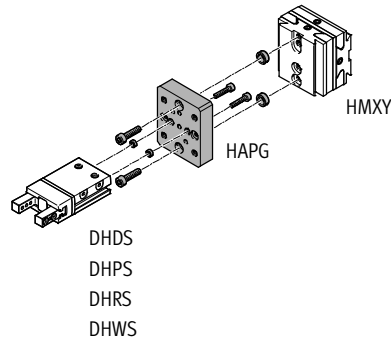
Attachment component	Adjusting unit	B1	B2	H1	Screws D2	Part No.	Type
SLT-6	HMXY-1/3	40	51	22	M3x20	178329	HMSV-34
SLT-10		40	51	22	M4x30	178330	HMSV-35
SLT-16		50	51	24	M6x25	178331	HMSV-36
SLT-20		80	51	26	M6x25	178332	HMSV-37
SLT-25	HMXY-3	80	51	26	M8x25		

# Adjusting units HMXY

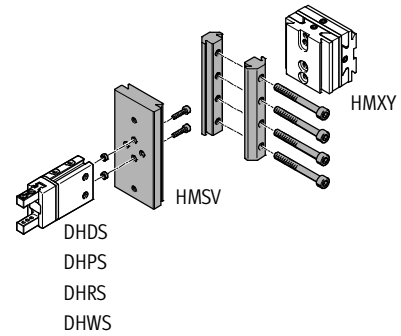
Technical data – Mounting the attachment components

## Mounting on gripper DHDS, DHPS, DHRS, DHWS

Material:  
 Adapter kit HAPG:  
 Wrought aluminium alloy  
 Free of copper and PTFE



Direct mounting

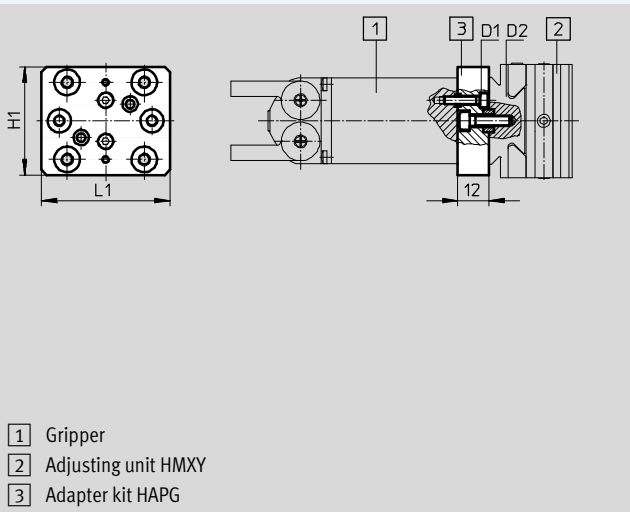


Dovetail mounting

## Dimensions and ordering data

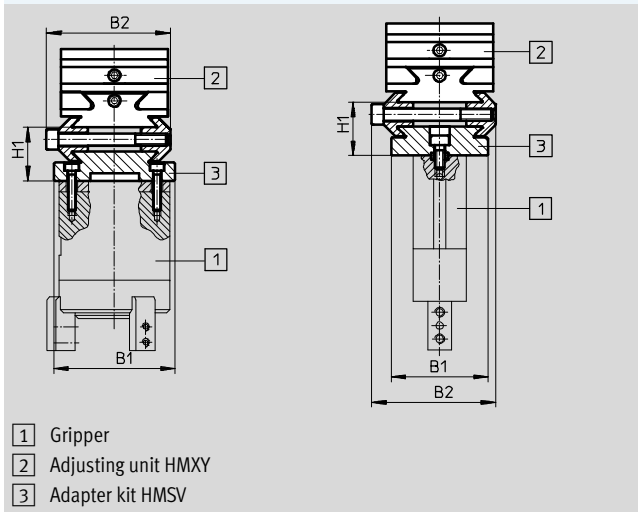
Download CAD data → [www.festo.com](http://www.festo.com)

### Direct mounting



- 1 Gripper
- 2 Adjusting unit HMXY
- 3 Adapter kit HAPG

### Dovetail mounting



- 1 Gripper
- 2 Adjusting unit HMXY
- 3 Adapter kit HMSV

Attachment component	Adjusting unit	B1	B2	H1	L1	Screws D1	Screws D2	Part No.	Type
<b>Direct mounting</b>									
DHPS-06, DHRS-10, DHWS-10	HMXY-1	-	-	42	50	M3x14	M4x16	192706	HAPG-37-S1
DHDS-16		-	-	42	50	M3x20	M4x16	193921	HAPG-36-S3
DHPS-06, DHRS-16, DHWS-16		-	-	42	50	M3x14	M4x16	192705	HAPG-36-S1
DHPS-16, DHRS-25, DHWS-25		-	-	42	50	M4x14	M4x16	193922	HAPG-37-S4
<b>Dovetail mounting</b>									
DHPS-10, DHRS-16, DHWS-16	HMXY-1/3	40	51	22	-	-	-	177767	HMSV-27
DHPS-16, DHRS-25, DHWS-25		40	51	22	-	-	-	177768	HMSV-28
DHPS-25, DHRS-32, DHWS-32		50	51	24	-	-	-	177769	HMSV-29
DHDS-32	HMXY-3	50	51	22	-	-	-	178212	HMSV-32
DHPS-35, DHRS-40, DHWS-40		60	51	28	-	-	-	177770	HMSV-30
DHDS-50		70	51	24	-	-	-	178213	HMSV-33



# Adjusting units HMXY

Technical data – Mounting the attachment components

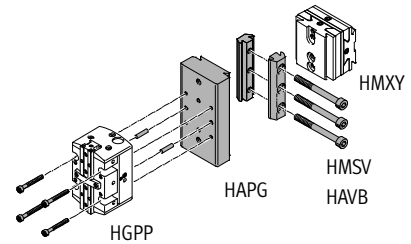
## Mounting on parallel gripper HGPP

Material:

Adapter kit HAVB, HMSV, HAPG:

Wrought aluminium alloy

Free of copper and PTFE

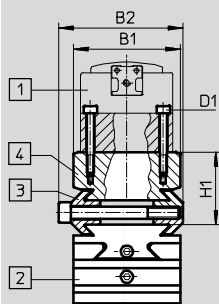


Dovetail mounting

## Dimensions and ordering data

Download CAD data → [www.festo.com](http://www.festo.com)

Dovetail mounting



- 1 Parallel gripper HGPP
- 2 Adjusting unit HMXY
- 3 Adapter kit HMSV, HAVB
- 4 Adapter kit HAPG

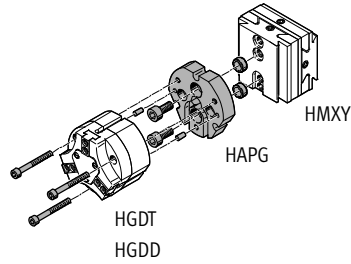
Attachment component	Adjusting unit	B1	B2	H1	Screws D1	Part No.	Type	Part No.	Type
HGPP-12	HMXY-1	44	51	27.5	M5x30	163239	HAVB-3	191262	HAPG-44
	HMXY-3	44	51	30	M5x30	177649	HMSV-3	191262	HAPG-44
HGPP-16	HMXY-1	44	51	27.5	M5x30	163239	HAVB-3	191263	HAPG-45
	HMXY-3	44	51	30	M5x30	177649	HMSV-3	191263	HAPG-45
HGPP-20	HMXY-1	50	51	19.5	M5x30	163239	HAVB-3	191265	HAPG-47
	HMXY-3	50	51	22	M5x30	177649	HMSV-3	191265	HAPG-47
HGPP-25	HMXY-1	60	51	25.5	M5x40	163239	HAVB-3	529019	HAPG-59
	HMXY-3	60	51	28	M5x40	177649	HMSV-3	529019	HAPG-59
HGPP-32	HMXY-3	60	51	28	M5x50	177653	HMSV-7	529020	HAPG-61

# Adjusting units HMXY

Technical data – Mounting the attachment components

## Mounting on three-point gripper HGDT, HGDD

Material:  
 Adapter kit HAPG:  
 Wrought aluminium alloy  
 Free of copper and PTFE

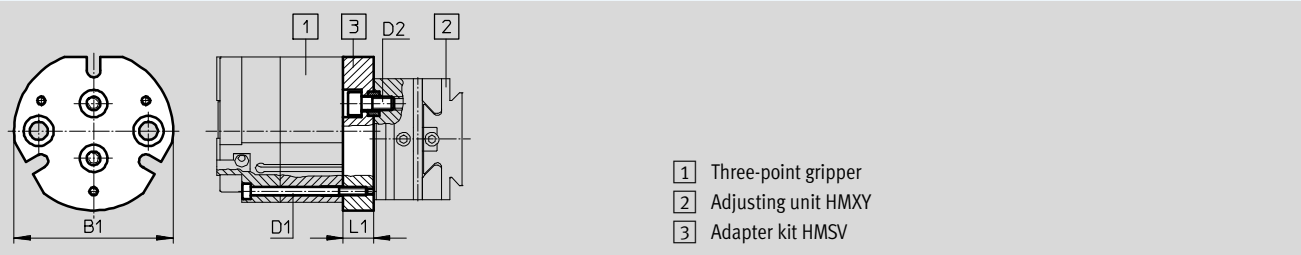


Direct mounting

## Dimensions and ordering data

Download CAD data → [www.festo.com](http://www.festo.com)

Direct mounting



Attachment component	Adjusting unit	B1	D1	D2	L1	Part No.	Type
HGDT-25	HMXY-1	48	M3	M5	10	542439	HAPG-SD2-32
HGDT-35, HGDD-35		58	M3	M5	11	542436	HAPG-94