

Round cylinders EG



Round cylinders EG

Key features and type codes

Key features

Pneumatic cylinders in miniature design

- The slim design makes these cylinders especially suitable for compact assemblies, e.g. in testing systems for keyboards or mobile phones.
- Single-acting
- Minimal weight: 2 to 24 g
- Ready for installation
- Corrosion-resistant
- Barbed fitting connection for plastic tubing with standard I.D.

Type codes

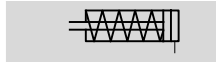
		EG	–	2,5	–	5	–	PK2
Type								
Single-acting								
EG	Round cylinder							
Piston Ø [mm]								
Stroke [mm]								
Pneumatic connection								
PK-2	Barbed fitting connection for 2 mm plastic tubing							
PK-3	Barbed fitting connection for 3 mm plastic tubing							

Round cylinders EG

Technical data



Function



- \varnothing - Diameter
2.5 ... 6 mm

- | - Stroke length
5 ... 25 mm



General technical data												
Piston \varnothing	2.5				4				6			
Stroke [mm]	5	10	5	10	15	20	5	10	15	20	25	
Design	Piston Cylinder barrel Piston rod at one end											
Mode of operation	Single-acting, pushing											
Pneumatic connection	PK-2						PK-3					
Type of mounting	Via lock nut											
Piston rod thread	\varnothing 1				M2				M3			
Cushioning	None						At one end, non-adjustable					
Position sensing	None											
Mounting position	Any											
Product weight [g]	2	2	4	5	5	6	19	20	20	23	24	

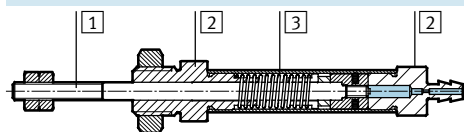
Operating and environmental conditions												
Piston \varnothing	2.5				4				6			
Operating pressure [bar]	3.5 ... 7						3 ... 7					
Operating medium	Compressed air in accordance with ISO 8573-1:2010 [7:-:-]											
Ambient temperature [°C]	+5 ... +60											
Corrosion resistance class CRC ¹⁾	2											

1) Corrosion resistance class 2 according to Festo standard 940 070
Components subject to moderate corrosion stress. Externally visible parts with primarily decorative surface requirements which are in direct contact with a normal industrial environment or media such as coolants or lubricating agents.

Forces [N]												
Piston \varnothing	2.5				4				6			
Stroke [mm]	5	10	5	10	15	20	5	10	15	20	25	
Theoretical force at 6 bar, advancing	1.9		4.8	4.7	4.9	4.9	11.8					
Theoretical spring return force												
min.	0.5		1.5	1.7	1.8	1.5	4.1	3.1	2.0	3.1	2.5	
max.	1.0		2.7	2.8	2.6	5.2						

Materials

Sectional view



Materials												
Piston \varnothing	2.5				4				6			
1	Piston rod		High-alloy steel									
2	Bearing and end cap		High-alloy steel									
3	Cylinder barrel		Nickel-plated brass						High-alloy steel			
-	Seals		Nitrile rubber				Thermoplastic polyurethane elastomer				Nitrile rubber	
Note on materials			RoHS-compliant									

Round cylinders EG

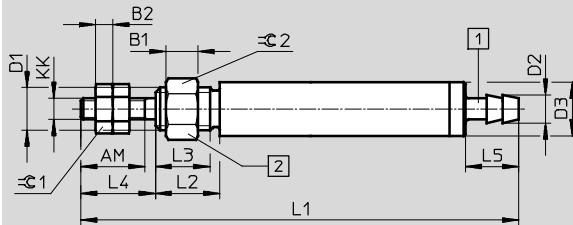
Technical data

FESTO

Dimensions

Download CAD data → www.festo.com

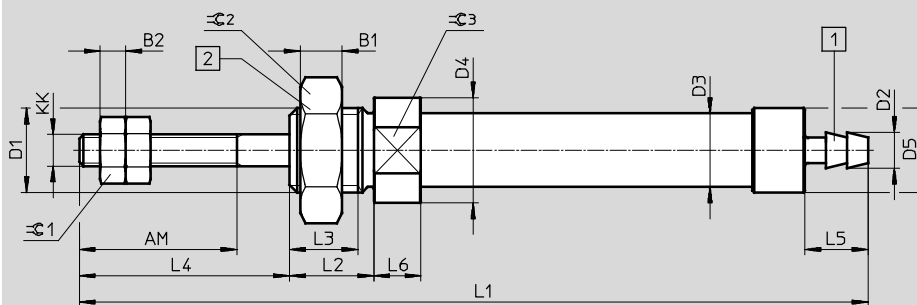
EG-2,5/-4



- 1 Barbed fitting for 2 mm plastic tubing with standard I.D.
- 2 Tightening torque
EG-2,5: 0.25 Nm
EG-4: 0.85 Nm

Type	AM	B1	B2	D1	D2 ∅	D3 ∅	KK	L1	L2	L3	L4	L5	⌀1	⌀2
EG-2,5-5-PK-2	-	1.6	-	M2.5	2.65	3.5	∅1	29	3.5	3	1.5	5	-	4
EG-2,5-10-PK-2								38						
EG-4-5-PK-2	6	3	1.6	M4	2.65	5	M2	41	6	5	7	5	4	5
EG-4-10-PK-2								50						
EG-4-15-PK-2								59						
EG-4-20-PK-2								64						

EG-6



- 1 Barbed fitting for 3 mm plastic tubing with standard I.D.
- 2 Tightening torque
EG-6: 8.5 Nm

Type	AM	B1	B2	D1	D2 ∅	D3 ∅	D4 ∅	D5 ∅	KK	L1	L2	L3	L4	L5	L6	⌀1	⌀2	⌀3
EG-6-5-PK-3	15	4	2.4	M8x1	3.4	7	10	8	M3	75	8	6.5	20	6	4.5	5.5	12	9
EG-6-10-PK-3										80								
EG-6-15-PK-3										85								
EG-6-20-PK-3										102								
EG-6-25-PK-3										107								

Ordering data

	Piston ∅	Stroke [mm]	Part No.	Type
	2.5	5	15883	EG-2,5-5-PK-2
		10	15884	EG-2,5-10-PK-2
	4	5	15885	EG-4-5-PK-2
		10	15886	EG-4-10-PK-2
		15	15887	EG-4-15-PK-2
		20	15888	EG-4-20-PK-2
	6	5	15891	EG-6-5-PK-3
		10	15892	EG-6-10-PK-3
		15	15893	EG-6-15-PK-3
		20	15894	EG-6-20-PK-3
25		15895	EG-6-25-PK-3	