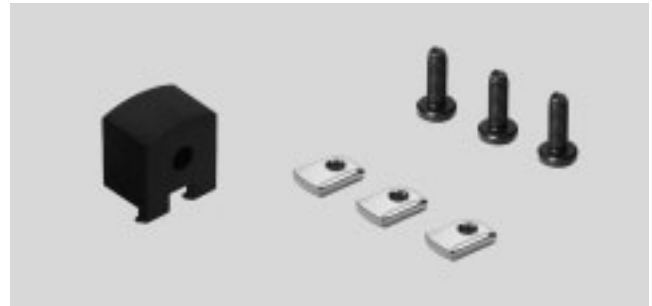


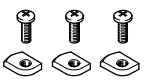

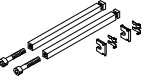
Mounting components CAFM, for controllers

Technical data

Mounting attachments CPX

Mounting attachments enable valve terminals to be attached to walls and machine parts



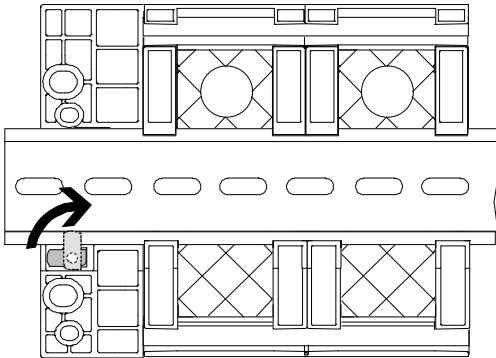
Ordering data						
View	Weight [g]	Material	Function	Dimensions [mm]	Part No.	Type
	10.5	Cold-rolled steel	Clamping components for H-rail mounting. Are screwed onto the component and clamp it onto an H-rail. Includes M4x12 screw (combi cross-slot screws).	8 x 11.8 (LxW) Material thickness: 2.5	526032	CPX-CPA-BG-NRH
	28.8	PA	Mounting bracket, acts as additional mounting for larger valve terminals	15x10.8x17.5 (LxWxH)	529040	CPX-BG-RW-10x
	23.9	Steel	Tie rod, enables CPX individual components to be assembled to form a unit. Available in different lengths for a different number of modules, standard thread M4.	60 (L) Expansion for 1 module	525418	CPX-ZA-1-E
	42.1			72.1 (L) 1 module	195718	CPX-ZA-1
	73.7			122.2 (L) 2 modules	195720	CPX-ZA-2
	103.9			172.3 (L) 3 modules	195722	CPX-ZA-3
	133			222.4 (L) 4 modules	195724	CPX-ZA-4
	167.7			272.5 (L) 5 modules	195726	CPX-ZA-5
	197.3			322.6 (L) 6 modules	195728	CPX-ZA-6
	225.4			372.7 (L) 7 modules	195730	CPX-ZA-7
	254.4			422.8 (L) 8 modules	195732	CPX-ZA-8
	280.3			472.9 (L) 9 modules	195734	CPX-ZA-9
310	523 (L) 10 modules	195736	CPX-ZA-10			

Mounting components CAFM, for controllers

Technical data

Examples illustrating H-rail mounting

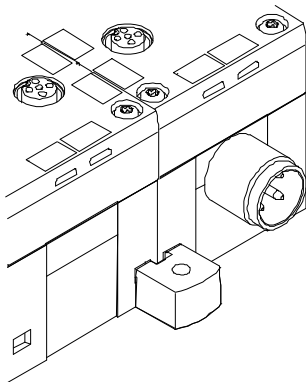
Via clamping components



The H-rail mounting is pressed into the reverse profile of the (CPX) modules. The modules can be attached to the H-rail using the H-rail mountings.

Examples illustrating wall mounting

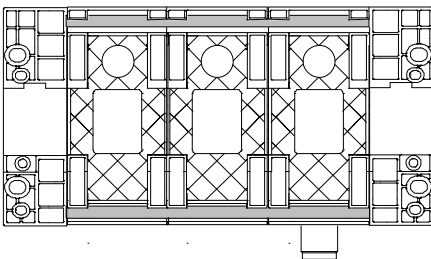
Via mounting bracket



For longer valve terminals, there is an additional mounting bracket (for the CPX terminal) that can be fitted in any module.

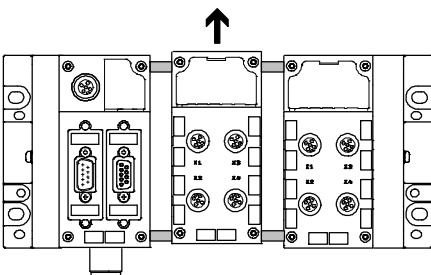
Examples illustrating general types of mounting

Via tie rod



The mechanical connection between the CPX modules is established using special tie rods. Two screws in the end plates are all that are needed to mount the entire unit.

The tie rod ensures that the unit resists high mechanical loads and is therefore the “mechanical backbone” of the CPX terminal.



The open design allows interlinking blocks to be replaced in the assembled state.

The tie rod expansion kit allows an extra module to be added to the CPX terminal.