

# Protective devices CAFC, mounting components for controllers

Technical data

## Screening plate CPX-AB-S

Protective devices enable the valve terminals to be protected against environmental influences.



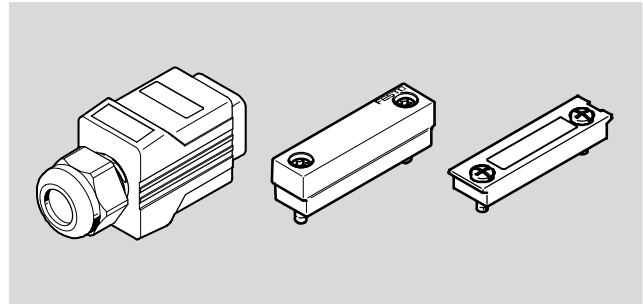
Ordering data					
Function	Weight [g]	Material	Dimensions [mm]	Part No.	Type
Screening plate, is placed on a CPX module and screens it electromagnetically	20	Tin-plated bronze	59.9x50.5x16 (LxWxH)	526184	CPX-AB-S-4-M12

# Protective devices CAFC, mounting components for controllers

Technical data

## Cover CPX-...-AK

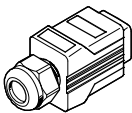
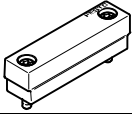
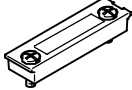
Protective devices enable the valve terminals to be protected against environmental influences.



General technical data			
Type	CPX-M-AK-C	CPX-M-AK-M	CPX-AK-P
Width [mm]	30	12	–
Height [mm]	58	13	–
Length [mm]	22	49	–
Protection class to EN 60529	IP65, IP67 (assembled)		
Product weight [g]	54	15	4

Materials			
Type	CPX-M-AK-C	CPX-M-AK-M	CPX-AK-P
Housing	Nickel-plated die-cast zinc	Die-cast aluminium	Polyamide
Screws	–	Galvanised steel	Galvanised steel
Seal	NBR		
Note on materials	RoHS-compliant		

Operating and environmental conditions			
Type	CPX-M-AK-C	CPX-M-AK-M	CPX-AK-P
Ambient temperature [°C]	–5 ... +50	–	–
Storage temperature [°C]	–40 ... +70	–	–
Relative air humidity [%]	5 ... 90, non-condensing		
Certification	UL94 V0	–	–

Ordering data			
	Description	Part No.	Type
	Cover cap for RJ45 push-pull connection, for fieldbus node of electrical terminal CPX with RJ45 connection (FB34, FB35)	548753	CPX-M-AK-C
	Cover for DIL switch and memory card, for fieldbus node of electrical terminal CPX in metal design with memory card (FB34, FB35, FB41)	548754	CPX-M-AK-M
	Transparent cover for DIL switch and memory card, for fieldbus node of electrical terminal CPX in plastic design with memory card (FB33)	548757	CPX-AK-P