

Condensate drains WA/PWEA



Condensate drains WA

Technical data

FESTO

Function

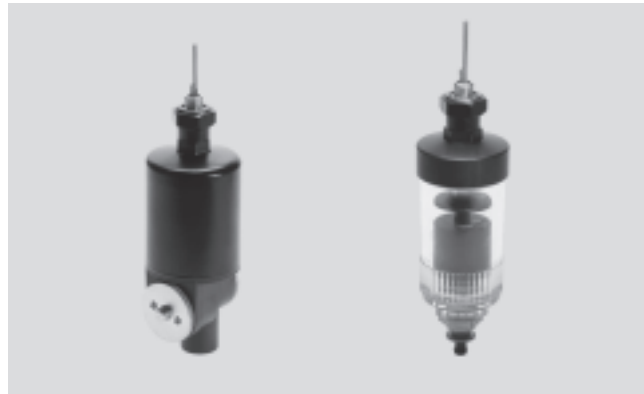


Temperature range

0 ... +60 °C

Pressure

1.5 ... 16 bar



Note

In order to close, the automatic condensate drain WA-2 requires a flow rate of 125 l/min; this sets in at approx. 1.5 bar.

For attachment to service units and compressed air networks/systems. Condensate present in the compressed air is separated in suitable filters. The condensate that accumulates must be emptied from time to time, as otherwise it would be drawn in and could lead to faults in the downstream elements. The devices shown perform this task automatically.

They contain a float which opens when a certain condensate level is achieved. The accumulated condensate is then emptied. With an additional, installed manual override, condensate emptying can also be performed manually.

- Automatic emptying after the max. fill level has been reached
- Automatic emptying after the operating pressure $p < 0.5$ bar is switched off
- Manual actuation during operation is possible

General technical data		
Type	WA-1-B	WA-2
Pneumatic connection	M9	M9
Condensate drain connection	G $\frac{1}{4}$	PK-4
Design	External, mechanically-operated, fully automatic condensate drain valve	
Measured variable	Filling level	
Type of mounting	In-line installation	
Mounting position	Vertical, $\pm 10^\circ$	Vertical, $\pm 5^\circ$
Valve function	2/2-valve, closed, monostable	2/2-valve, open, monostable
Manual override facility	Non-detenting	

Operating and environmental conditions		
Type	WA-1-B	WA-2
Operating pressure [bar]	4 ... 16	1.5 ... 14
Operating medium	Water	
Ambient temperature [°C]	0 ... +60	0 ... +50
Temperature of medium [°C]	0 ... +60	0 ... +50
Storage temperature [°C]	-20 ... +60	-20 ... +60
Corrosion resistance class CRC ¹⁾	2	

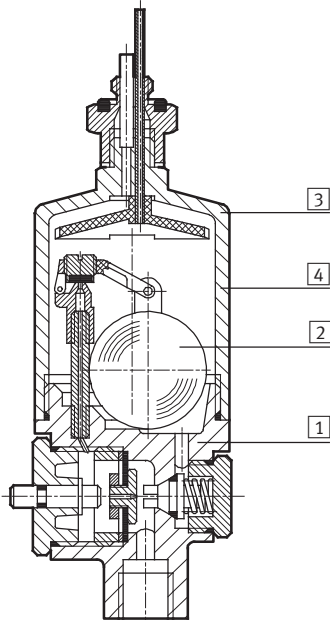
1) Corrosion resistance class 2 according to Festo standard 940 070
Components subject to moderate corrosion stress. Externally visible parts with primarily decorative surface requirements which are in direct contact with a normal industrial environment or media such as coolants or lubricating agents.

Condensate drains WA

Technical data

Materials

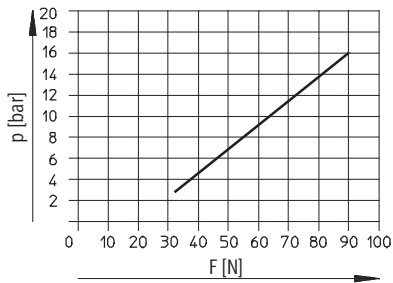
Sectional view



Condensate drain	WA-1-B	WA-2
1 Housing	Brass	Brass
2 Float	Polypropylene	Polyacetate
3 Cover	Polyamide	Wrought aluminium alloy
4 Bowl	-	Polycarbonate
- Seals	Nitrile rubber	Nitrile rubber
Note on materials	-	Contains PWIS (paint wetting impairment substances)

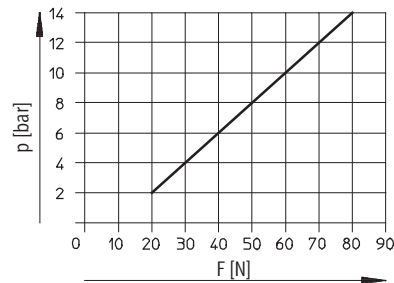
Actuating force F for manual actuation as a function of supply pressure p

WA-1-B



Primary pressure p₁ = 7 bar

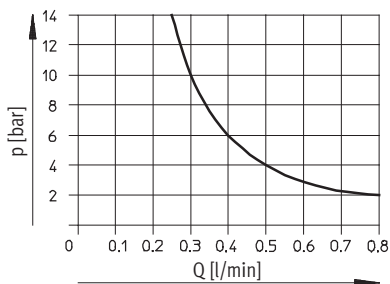
WA-2



Primary pressure p₁ = 7 bar

Max. possible condensate flow rate Q as a function of input pressure p

WA-2



Primary pressure p₁ = 7 bar

Condensate drains WA

Technical data

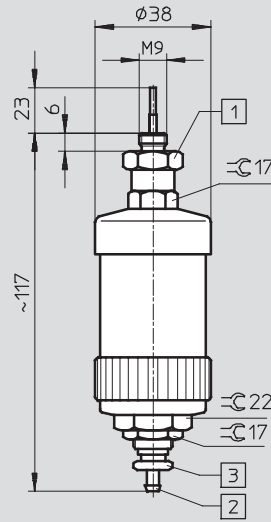
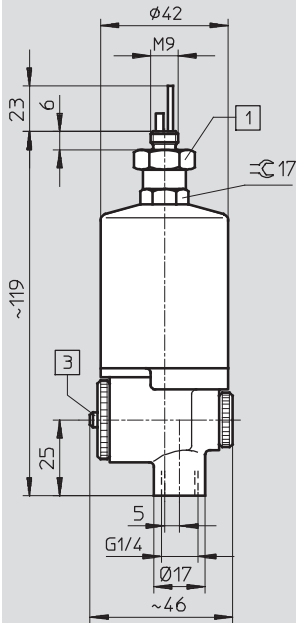
FESTO

Dimensions

Download CAD Data → www.festo.com/us/cad

WA-1-B

WA-2





1 Adapter SW17

2 Barbed fitting for plastic tubing
PCN-4

3 Manual override facility

Ordering data

	Pneumatic connection	Valve function	Weight [g]	Part No.	Type
	M9	2/2-valve, closed, monostable	210	158497	WA-1-B
	M9	2/2-valve, open, monostable	92	152810	WA-2

Condensate drains PWEA

Technical data

Function



Temperature range
+1 ... +60 °C
Pressure
0.8 ... 16.0 bar

www.festo.com/en/Spare_parts_service



Condensate passes through the port in the bottom of the filter bowl into the attached condensate drain valve, where it is collected in a reservoir. A capacitive sensor detects once the maximum filling level is reached. The condensate escapes into the atmosphere via the opening

diaphragm valve through the discharge line. The diaphragm valve closes again after a specified response time. A residual amount of condensate remains in the reservoir so that no compressed air can escape into the discharge line.

- Fully automatic condensate drain with integrated electrical controller
- Interface for communicating with master control device
- Reliable thanks to non-contacting capacitive sensor
- Can be used with service units or simply in piping systems
- Operated via touch-sensitive keys or electrical interface
- Ready status and switching status indicated via LEDs and electrical interface

General technical data			
Type	PWEA-AC-6A	PWEA-AC-7A	PWEA-AC-3D
Pneumatic connection	G $\frac{1}{2}$		
Condensate drain connection	PK-8		
Design	Fully automatic condensate drain valve with electrical control interface		
Measured variable	Filling level		
Type of mounting	In-line installation		
Mounting position	Vertical $\pm 5^\circ$		
Valve function	3/2-way single solenoid valve, closed		
Manual override	Non-detenting		

Electrical data				
Type	PWEA-AC-6A	PWEA-AC-7A	PWEA-AC-3D	
Electrical connection	Screw terminal PG9			
Nominal operating voltage	[V AC]	110	230	–
	[V DC]	–	–	24
Mains frequency	[Hz]	50/60		
Nominal power of condensate drain	[VA]	2	2	–
	[W]	–	–	2
Operating elements	Touch-sensitive keypad with test button			
Ready status display/switching status display	LED			
Alarm output	Contacting			
Protection class (IEC 60529)	IP65			
Protection class	II	II	III	

Condensate drains PWEA

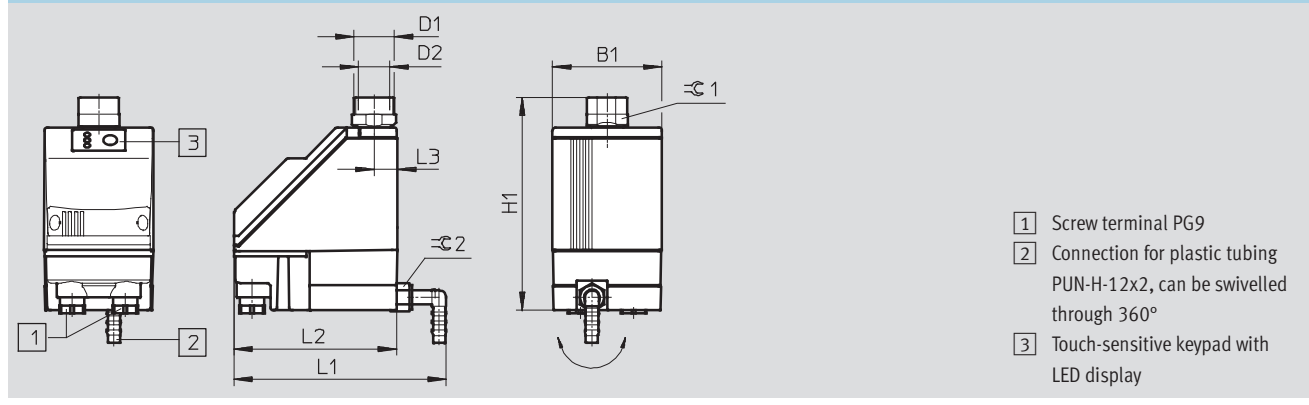
Technical data

Operating and environmental conditions	
Operating pressure [bar]	0.8 ... 16.0
Operating medium	Compressed air in accordance with ISO 8573-1:2010 [-:-:-]
Ambient temperature [°C]	+1 ... +60
Temperature of medium [°C]	+1 ... +60
Storage temperature [°C]	+10 ... +60
Corrosion resistance class CRC ¹⁾	2

1) Corrosion resistance class 2 according to Festo standard 940 070
 Components subject to moderate corrosion stress. Externally visible parts with primarily decorative surface requirements which are in direct contact with a normal industrial environment or media such as coolants or lubricating agents.

Materials	
Housing	Plastic
Condensate reservoir	Wrought aluminium alloy
Seals	Nitrile rubber, fluoro elastomer
Note on materials	Free of copper and PTFE

Dimensions Download CAD Data → www.festo.com/us/cad



B1	D1	D2	H1	L1	L2	L3	∅ 1	∅ 2
72	G3/4	G1/2	140	140	108	15	27	16

Ordering data						
	Electrical connection	Nominal operating voltage		Weight [g]	Part No.	Type
		[V AC]	[V DC]			
	Screw terminal PG9	110	-	700	538679	PWEA-AC-6A
		230	-	700	538680	PWEA-AC-7A
		-	24	700	538681	PWEA-AC-3D

Product Range and Company Overview

A Complete Suite of Automation Services

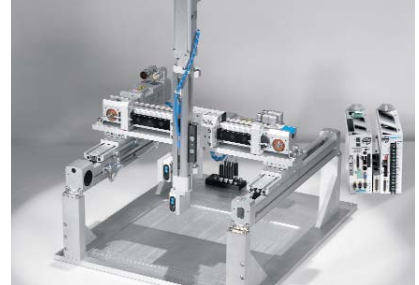
Our experienced engineers provide complete support at every stage of your development process, including: conceptualization, analysis, engineering, design, assembly, documentation, validation, and production.



Custom Automation Components
Complete custom engineered solutions



Custom Control Cabinets
Comprehensive engineering support and on-site services



Complete Systems
Shipment, stocking and storage services

The Broadest Range of Automation Components

With a comprehensive line of more than 30,000 automation components, Festo is capable of solving the most complex automation requirements.



Electromechanical
Electromechanical actuators, motors, controllers & drives



Pneumatics
Pneumatic linear and rotary actuators, valves, and air supply



PLCs and I/O Devices
PLC's, operator interfaces, sensors and I/O devices

Supporting Advanced Automation... As No One Else Can!

Festo is a leading global manufacturer of pneumatic and electromechanical systems, components and controls for industrial automation, with more than 12,000 employees in 56 national headquarters serving more than 180 countries. For more than 80 years, Festo has continuously elevated the state of manufacturing with innovations and optimized motion control solutions that deliver higher performing, more profitable automated manufacturing and processing equipment. Our dedication to the advancement of automation extends beyond technology to the education and development of current and future automation and robotics designers with simulation tools, teaching programs, and on-site services.

Quality Assurance, ISO 9001 and ISO 14001 Certifications

Festo Corporation is committed to supply all Festo products and services that will meet or exceed our customers' requirements in product quality, delivery, customer service and satisfaction.

To meet this commitment, we strive to ensure a consistent, integrated, and systematic approach to management that will meet or exceed the requirements of the ISO 9001 standard for Quality Management and the ISO 14001 standard for Environmental Management.



© Copyright 2008, Festo Corporation. While every effort is made to ensure that all dimensions and specifications are correct, Festo cannot guarantee that publications are completely free of any error, in particular typing or printing errors. Accordingly, Festo cannot be held responsible for the same. For Liability and Warranty conditions, refer to our "Terms and Conditions of Sale", available from your local Festo office. All rights reserved. No part of this publication may be reproduced, distributed, or transmitted in any form or by any means, electronic, mechanical, photocopying or otherwise, without the prior written permission of Festo. All technical data subject to change according to technical update.



Printed on recycled paper at New Horizon Graphic, Inc., FSC certified as an environmentally friendly printing plant.

Festo North America

Festo Regional Contact Center

5300 Explorer Drive
Mississauga, Ontario L4W 5G4
Canada

USA Customers:

For ordering assistance,

Call: 1.800.99.FESTO (1.800.993.3786)

Fax: 1.800.96.FESTO (1.800.963.3786)

Email: customer.service@us.festo.com

For technical support,

Call: 1.866.GO.FESTO (1.866.463.3786)

Fax: 1.800.96.FESTO (1.800.963.3786)

Email: product.support@us.festo.com

Canadian Customers:

Call: 1.877.GO.FESTO (1.877.463.3786)

Fax: 1.877.FX.FESTO (1.877.393.3786)

Email: festo.canada@ca.festo.com

USA Headquarters

Festo Corporation
395 Moreland Road
P.O. Box 18023
Hauppauge, NY 11788, USA
www.festo.com/us

USA Sales Offices

Appleton

North 922 Tower View Drive, Suite N
Greenville, WI 54942, USA

Boston

120 Presidential Way, Suite 330
Woburn, MA 01801, USA

Chicago

1441 East Business Center Drive
Mt. Prospect, IL 60056, USA

Dallas

1825 Lakeway Drive, Suite 600
Lewisville, TX 75057, USA

Detroit – Automotive Engineering Center

2601 Cambridge Court, Suite 320
Auburn Hills, MI 48326, USA

New York

395 Moreland Road
Hauppauge, NY 11788, USA

Silicon Valley

4935 Southfront Road, Suite F
Livermore, CA 94550, USA

United States



USA Headquarters, East: Festo Corp., 395 Moreland Road, Hauppauge, NY 11788

Phone: 1.631.435.0800; Fax: 1.631.435.8026;

Email: info@festo-usa.com

www.festo.com/us

Canada



Headquarters: Festo Inc., 5300 Explorer Drive, Mississauga, Ontario L4W 5G4

Phone: 1.905.624.9000; Fax: 1.905.624.9001;

Email: festo.canada@ca.festo.com

www.festo.ca

Mexico



Headquarters: Festo Pneumatic, S.A., Av. Ceylán 3, Col. Tequesquahuac,
54020 Tlalneantla, Edo. de México

Phone: 011 52 [55] 53 21 66 00; Fax: 011 52 [55] 53 21 66 65;

Email: festo.mexico@mx.festo.com

www.festo.com/mx

Central USA

Festo Corporation
1441 East Business
Center Drive
Mt. Prospect, IL 60056, USA
Phone: 1.847.759.2600
Fax: 1.847.768.9480



Western USA

Festo Corporation
4935 Southfront Road,
Suite F
Livermore, CA 94550, USA
Phone: 1.925.371.1099
Fax: 1.925.245.1286



Festo Worldwide

Argentina Australia Austria Belarus Belgium Brazil Bulgaria Canada Chile China Colombia Croatia Czech Republic Denmark
Estonia Finland France Germany Great Britain Greece Hong Kong Hungary India Indonesia Iran Ireland Israel Italy Japan Latvia
Lithuania Malaysia Mexico Netherlands New Zealand Norway Peru Philippines Poland Romania Russia Serbia Singapore
Slovakia Slovenia South Africa South Korea Spain Sweden Switzerland Taiwan Thailand Turkey Ukraine United States Venezuela

www.festo.com