

Hand lever valves VHER, NPT




Hand lever valves VHER, NPT

Key features

FESTO



Powerful

-  - Flow rate
600 ... 3800 l/min

Versatile

- 4/3-way valve
Mid-position closed
Mid-position exhausted
- Connection NPT $\frac{1}{8}$, NPT $\frac{1}{4}$, NPT $\frac{1}{2}$
- 3/3-way valve
The hand lever valve VHER can be used as a 3/3-way valve by sealing port 2

Practical

These valves can be used to stop single-acting cylinders (3/3-way valve) or double-acting cylinders (4/3-way valve) within the stroke range.

With the mid-position closed, the drive piston moves until the forces are balanced.

With the mid-position exhausted, the piston can be moved manually (only the frictional forces have to be overcome).

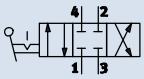
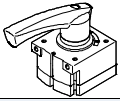
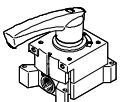
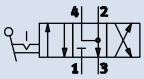
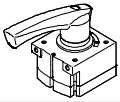
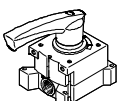
Hand lever valves VHER-AH, NPT

Product range overview

Function	Version	Type	Nominal flow rate [l/min]	Hand lever		→ Page/ Internet
	Port underneath, mid-position closed					
		VHER-AH-M04C-N18-UD	800	Metal	Small	8
		VHER-AH-M04C-N14-UD	1500	Metal	Large	
	Port at side, mid-position closed					
		VHER-AH-M04C-N18-LD	600	Metal	Small	8
		VHER-AH-M04C-N14-LD	1150	Metal	Large	
	Port underneath, mid-position exhausted					
		VHER-AH-M04E-N18-UD	800	Metal	Small	8
		VHER-AH-M04E-N14-UD	1500	Metal	Large	
	Port at side, mid-position exhausted					
		VHER-AH-M04E-N18-LD	600	Metal	Small	8
		VHER-AH-M04E-N14-LD	1150	Metal	Large	

Hand lever valves VHER-B43, NPT

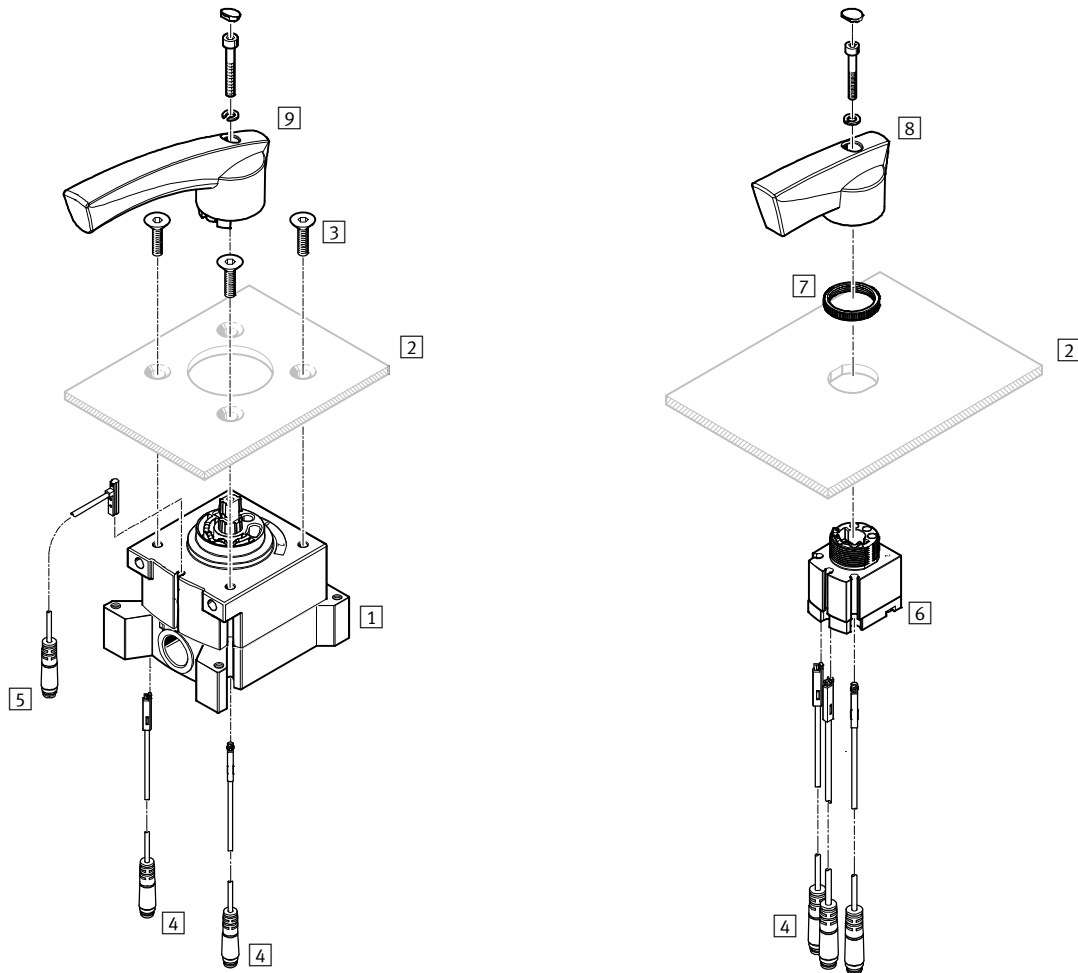
Product range overview

Function	Version	Type	Nominal flow rate [l/min]	Hand lever	→ Page/Internet	
	Port underneath, mid-position closed					
		VHER-H-B43C-B-N18		800	Metal	17
		VHER-H-B43C-B-N14		1500	Metal	17
		VHER-H-B43C-B-N12		3800	Metal	17
	Port at the side, mid-position closed					
		VHER-H-B43C-N18		600	Metal	17
VHER-H-B43C-N14			1150	Metal	17	
VHER-H-B43C-N12			3200	Metal	17	
	Port underneath, mid-position exhausted					
		VHER-H-B43E-B-N12		3800	Metal	17
	Port at the side, mid-position exhausted					
	VHER-H-B43E-N12		3200	Metal	17	

Hand lever valves VHER, NPT

Overview of peripherals

Control panel installation



Component parts and accessories	Brief description	→ Page/Internet
1 Hand lever valve VHER-AH...	Connection size 1/8 NPT, 1/4 NPT (lateral pneumatic connections)	8
Hand lever valve VHER-H-B43-...	Connection size 1/8 NPT, 1/4 NPT, 1/2 NPT (lateral pneumatic connections)	17
2 Control panel	Not included in the scope of delivery	-
3 Mounting screws	Not included in the scope of delivery	-
4 Proximity sensors SM...-10-... -L-...	Not included in the scope of delivery (electrical connection, in-line outlet)	15, 27
5 Proximity sensors SM...-10-... -Q-...	Not included in the scope of delivery (electrical connection, lateral outlet)	15, 27
6 Hand lever valve VHER-AH...	Connection size 1/8 NPT (pneumatic connections underneath)	8
7 Knurled nut	Control panel mounting	-
8 Actuating lever	Small, metal	-
9 Actuating lever	Large, metal	-

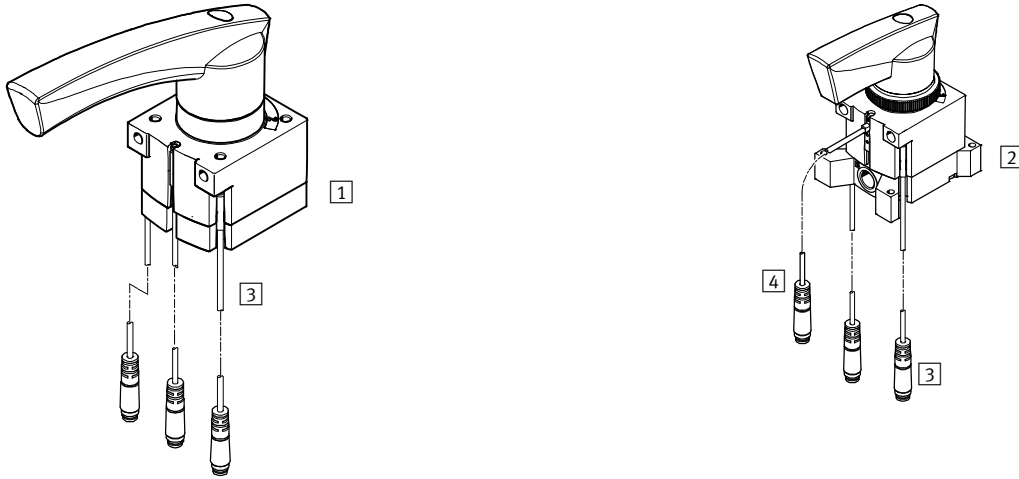
- 1 - Type discontinued
Available up until 07/2016

Hand lever valves VHER, NPT

Overview of peripherals

FESTO

Assembled valves with accessories



Component parts and accessories	Brief description	→ Page/Internet
1 Hand lever valve VHER-AH... Hand lever valve VHER-H-B43-...	Connection size 1/8 NPT, 1/4 NPT with metal lever (pneumatic connections underneath) Connection size 1/8 NPT, 1/4 NPT, 1/2 NPT with metal lever (pneumatic connections underneath)	8 17
2 Hand lever valve VHER-AH...	Connection size 1/8 NPT, 1/4 NPT with metal lever (lateral pneumatic connections)	8
3 Proximity sensors SM...-10-... -L-...	Not included in the scope of delivery (electrical connection, in-line outlet)	15, 27
4 Proximity sensors SM...-10-... -Q-...	Not included in the scope of delivery (electrical connection, lateral outlet)	15, 27

Hand lever valves, VHER-AH, NPT, reversible, metal lever

Type codes




	VHER	-	AH	-		-		-	
Type									
VHER	Hand lever valve with detent								
Design									
AH	Metal lever								
Valve function									
M04C	4/3-way valve, mid-position closed								
M04E	4/3-way valve, mid-position exhausted								
Connection size									
N18	1/8NPT								
N14	1/4NPT								
Type of connection									
LD	To the side								
UD	Underneath								

-  - Type discontinued
Available up until 07/2016

Hand lever valves, VHER-AH, NPT, reversible, metal lever

FESTO

Technical data VHER-AH, NPT

-  - Flow rate
600 ... 1500 l/min
-  - Pressure
-0.95 ... +10 bar
-  - Temperature range
-20 ... +80 °C



General technical data			1/8NPT	1/4NPT
Connection size			1/8NPT	1/4NPT
Valve function			4/3-way, closed or exhausted	
Design			Rotary slide valve	
Sealing principle			Hard	
Type of mounting			Option of front panel mounting or via through-holes	
Type of control			Direct	
Actuation type			Manual	
Actuating lever			Metal	
Switching position display			Via accessories	
Mounting position			Any	
Direction of flow			Reversible	
Non-overlapping			Yes	
Exhaust function			Flow control	
Standard nominal flow rate	Port at side	[l/min]	600	1150
	Port underneath	[l/min]	800	1500
Nominal size		[mm]	6	8
Pneumatic connection 1,2,3,4			1/8NPT	1/4NPT
Actuating torque at 10 bar		[Nm]	1.1	2.8

Operating and environmental conditions		
Operating medium		Compressed air in accordance with ISO 8573-1:2010 [7:4:4]
Note on operating/pilot medium		Operation with lubricated medium possible (in which case lubricated operation will always be required)
Operating pressure	[bar]	-0.95 ... 10
Ambient temperature	[°C]	-20 ... +80
Corrosion resistance	[CRC]	2 ¹⁾

1) Corrosion resistance class 2 according to Festo standard 940 070

Components subject to moderate corrosion stress. Externally visible parts with primarily decorative surface requirements which are in direct contact with a normal industrial environment or media such as coolants or lubricating agents.

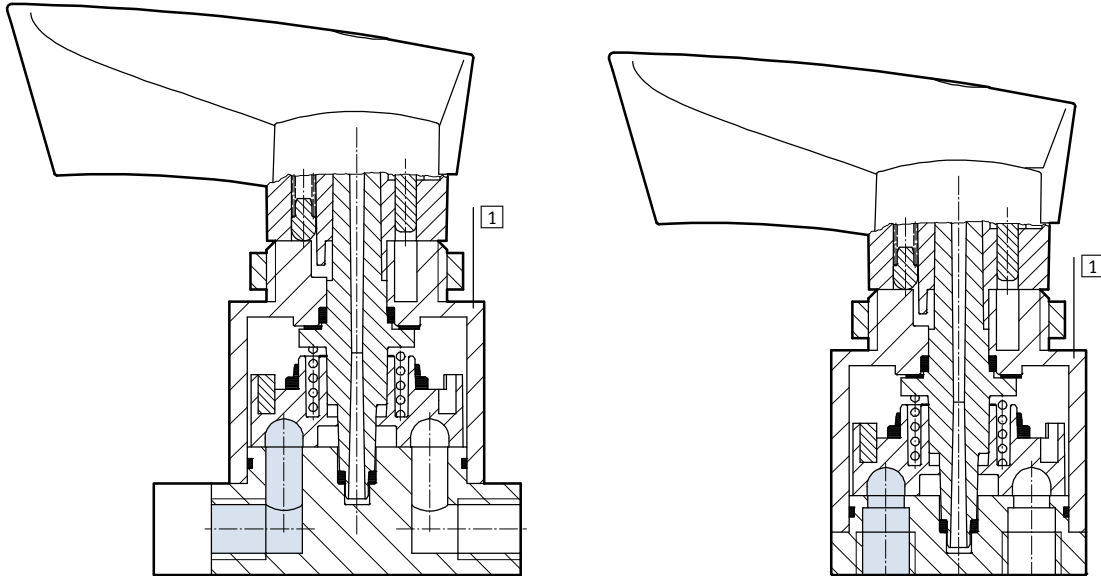
Proximity sensors for switching position display			
Connection size	Connection direction	Type	
		SME-10-... L	SME-10-... Q
1/8NPT	Underneath (UD)	■	■
	At the side (LD)	-	■
1/4NPT	Underneath	■	■
	At the side	-	■

Hand lever valves, VHER-AH, NPT, reversible, metal lever

Technical data VHER-AH, NPT

Sectional view

Hand lever valve VHER-AH, NPT



Materials

1	Housing	Die-cast aluminium
-	Seals	Nitrile rubber
-		Contains PWIS (paint wetting impairment substances)
-		Free of copper and PTFE

- 1 - Type discontinued
Available up until 07/2016

Hand lever valves, VHER-AH, NPT, reversible, metal lever

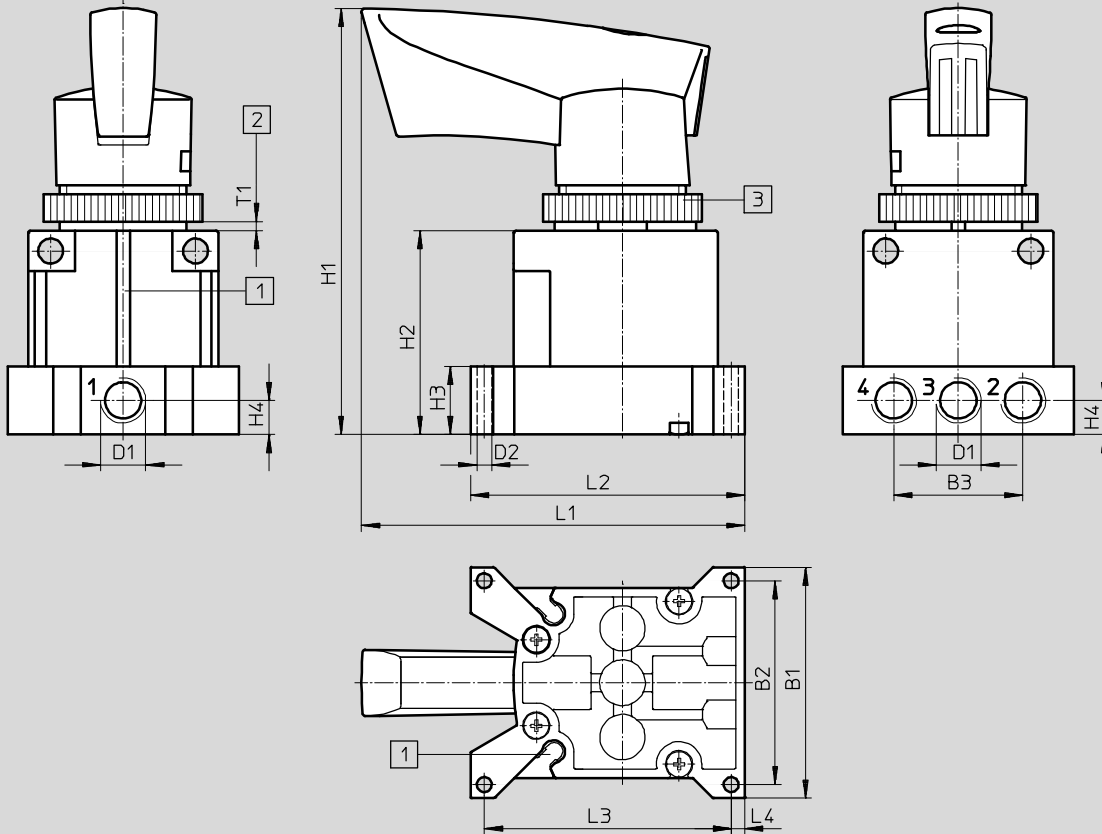
Technical data VHER-AH, NPT

FESTO

Dimensions

Download CAD data → www.festo.com

Pneumatic connection 1/8NPT, at the side



1 Slot for proximity sensor
SME-10...

2 Material thickness for control
panel installation

3 Knurled nut

Type	B1	B2	B3	D1	D2 ∅	H1	H2	H3	H4	L1	L2	L3	L4	T1
VHER-AH-...-N18-LD	51	45	28.5	1/8NPT	3	94	45	15	7.5	85	60.5	54.5	3	2 ... 4

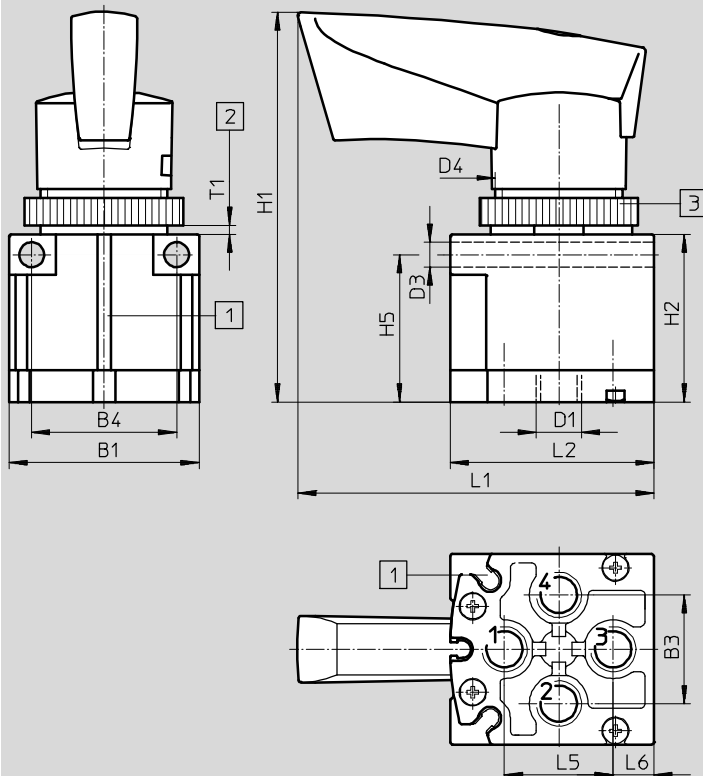
Hand lever valves, VHER-AH, NPT, reversible, metal lever

Technical data VHER-AH, NPT

Dimensions

Download CAD data → www.festo.com

Pneumatic connection 1/8NPT, underneath



1 Slot for proximity sensor
SME-10-...

2 Material thickness for control
panel installation

3 Knurled nut

Type	B1	B3	B4	D1	D3 Ø	D4	H1	H2	H5	L1	L2	L5	L6	T1
VHER-AH-...-N18-UD	42	24	32	1/8NPT	5.5	M30	87	37	32.5	79	45	24	9	2 ... 4

- 1 - Type discontinued
Available up until 07/2016

Hand lever valves, VHER-AH, NPT, reversible, metal lever

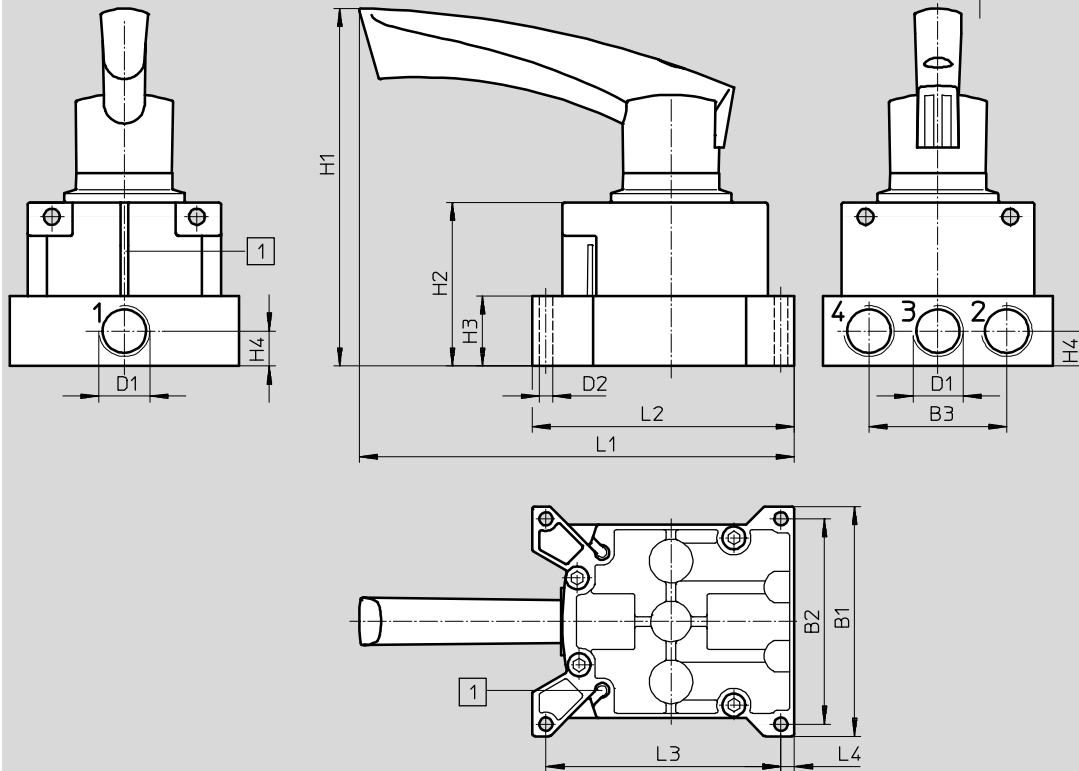
Technical data VHER-AH, NPT

FESTO

Dimensions

Download CAD data → www.festo.com

Pneumatic connection 1/4NPT, at the side



1 Slot for proximity sensor
SME-10-...

Type	B1	B2	B3	D1	D2 Ø	H1	H2	H3	H4	L1	L2	L3	L4
VHER-AH...-N14-LD	66	57.5	37.5	1/4NPT	4.5	136	56	20.5	103	165	77	69.2	4

- 2 - Type discontinued
Available up until 07/2016

Hand lever valves, VHER-AH, NPT, reversible, metal lever

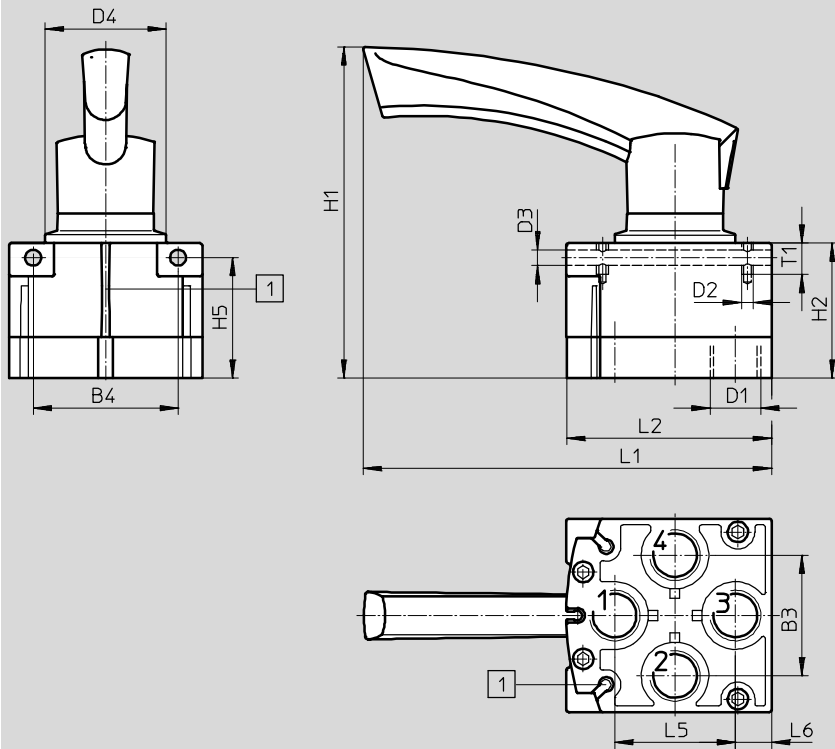
FESTO

Technical data VHER-AH, NPT

Dimensions

Download CAD data → www.festo.com

Pneumatic connection 1/4NPT, underneath



1 Slot for proximity sensor
SME-10-...

Type	B1	B2	B3	B4	D1	D2	D3	D4	H1	H2	H5	L1	L2	L3	L4	L5	L6	T1
VHER-AH...-N14-UD	56	42	33	42	1/4NPT	M5	5.5	40	130	49	43.5	157	60	42	7.2	33	11.4	12

- 1 - Type discontinued
Available up until 07/2016

Hand lever valves, VHER-AH, NPT, reversible, metal lever

FESTO

Ordering data

Ordering data – Hand lever valves						
Circuit symbol	Description	Weight [g]	Connection direction	Connection size	Part No.	Type
4/3-way valve ¹⁾						
	Mid-position closed	260	At the side	1/8NPT	545260	VHER-AH-M04C-N18-LD
		560		1/4NPT	545264	VHER-AH-M04C-N14-LD
		220	Underneath	1/8NPT	545261	VHER-AH-M04C-N18-UD
		510		1/4NPT	545265	VHER-AH-M04C-N14-UD
	Mid-position exhausted	260	At the side	1/8NPT	545262	VHER-AH-M04E-N18-LD
		560		1/4NPT	545266	VHER-AH-M04E-N14-LD
		220	Underneath	1/8NPT	545263	VHER-AH-M04E-N18-UD
		510		1/4NPT	545267	VHER-AH-M04E-N14-UD

1) The hand lever valve can be used as a 3/3-way valve by sealing port 2.

Ordering data – Push-in fittings						
Description				Part No.	Type	PU ¹⁾
Pneumatic connection: underneath						
	1/8	Without internal hex for	Tubing O.D. 1/8	533270	QBM-1/8-1/8-U	10
			Tubing O.D. 5/32	572305	QBM-1/8-5/32-U	10
			Tubing O.D. 1/4	572317	QB-1/8-5/32-I-U	10
		With internal hex for	Tubing O.D. 1/4	572318	QB-1/8-1/4-I-U	10
			Tubing O.D. 3/16	572315	QB-1/8-3/16-I-U	10
			Tubing O.D. 5/16	572319	QB-1/8-5/16-I-U	10
	1/4	Without internal hex for	Tubing O.D. 5/32	567772	QB-1/4-5/32-U	10
			Tubing O.D. 3/16	533275	QB-1/4-3/16-U	10
			Tubing O.D. 1/4	533276	QB-1/4-1/4-U	10
		With internal hex for	Tubing O.D. 1/8	572306	QBM-1/4-1/8-U	10
			Tubing O.D. 5/16	533277	QB-1/4-5/16-U	10
			Tubing O.D. 1/4	572320	QB-1/4-1/4-I-U	10
			Tubing O.D. 5/16	572321	QB-1/4-5/16-I-U	10
			Tubing O.D. 3/8	572322	QB-1/4-3/8-I-U	10
Pneumatic connection: at the side						
	1/8	With internal hex for	Tubing O.D. 5/32	572317	QB-1/8-5/32-I-U	10
			Tubing O.D. 1/4	572318	QB-1/8-1/4-I-U	10
	1/4	With internal hex for	Tubing O.D. 1/4	572320	QB-1/4-1/4-I-U	10
			Tubing O.D. 5/16	572321	QB-1/4-5/16-I-U	10
			Tubing O.D. 3/8	572322	QB-1/4-3/8-I-U	10



1) Packaging unit

- 2 - Type discontinued
Available up until 07/2016

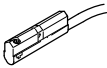
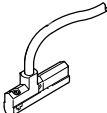
FESTO

Hand lever valves, VHER-AH, NPT, reversible, metal lever


Accessories

Ordering data – Silencers							
Description	Connection	Materials			Part No.	Type	PU ¹⁾
		Threaded plug	Silencer insert	Housing			
Pneumatic connection: underneath							
	1/8 NPT	Die-cast aluminium	PE	Die-cast aluminium	12638	U-1/8-B-NPT	1
	1/4 NPT	Die-cast aluminium	PE	Die-cast aluminium	12639	U-1/4-B-NPT	1
Pneumatic connection: at the side							
	1/8 NPT	Die-cast aluminium	PE	Die-cast aluminium	12638	U-1/8-B-NPT	1
	1/4 NPT	Die-cast aluminium	PE	Die-cast aluminium	12639	U-1/4-B-NPT	1

1) Packaging unit

Ordering data – Proximity sensors							
N/O contact	Connection outlet direction	Electrical connection		Cable length [m]	Part No.	Type	PU ¹⁾
		Cable, 3-wire	Plug connector M8x1, 3-pin				
	In-line	Cable, 3-wire		2.5	173210	SME-10-KL-LED-24	1
			Plug connector M8x1, 3-pin	0.3	173212	SME-10-SL-LED-24	1
	Lateral	Cable, 3-wire		2.5	173211	SME-10-KQ-LED-24	1
			Plug connector M8x1, 3-pin	0.3	173213	SME-10-SQ-LED-24	1

1) Packaging unit

Ordering data						
Description	Connection	Part No.	Type	PU ¹⁾		
Blanking plug						
 For sealing ports	1/8NPT	173985	B-1/8-NPT	1		

1) Packaging unit

Hand lever valves, VHER-H-B43, NPT, non-reversible, metal lever


Type codes


		VHER	-		-	H	-		-		-		-		-	
Type																
VHER	Hand lever valve with detent															
Design																
-	Hand lever, metal version															
Type of actuation																
H	Hand lever, top															
Valve function																
B43C	4/3-way valve, detenting, mid-position closed															
B43E	4/3-way valve, detenting, mid-position open															
Direction of flow																
-	Non-reversible															
Connection direction, pneumatic connection																
-	At the side															
B	Underneath															
Connection size, pneumatic connection																
N18	1/8NPT															
N14	1/4NPT															
N12	1/2NPT															


Hand lever valves, VHER-H-B43, NPT, non-reversible, metal lever



Technical data VHER-H-B43, NPT

 Flow rate
600 ... 3800 l/min

 Pressure
-0.95 ... +10 bar

 Temperature range
-20 ... +80 °C



General technical data					
Connection size		1/8 NPT	1/4 NPT	1/2 NPT	
Valve function		4/3-way, detenting, mid-position closed, exhausted or pressurised			
Design		Rotary slide valve			
Sealing principle		Hard			
Type of mounting		Option of front panel mounting or through-holes			
Type of pilot control		Direct			
Type of actuation		Manual			
Actuating lever (can be removed)		Metal (die-cast aluminium)			
Actuator lock		None			
Switching position indication		Via accessories			
Mounting position		Any			
Direction of flow		Non-reversible			
Non-overlapping		Yes			
Exhaust air function		With flow control			
Nominal flow rate	Port at side	[l/min.]	600	1150	3200
	Port underneath	[l/min.]	800	1500	3800
Nominal width		[mm]	6	8	12
Pneumatic connection 1, 2, 3, 4			1/8 NPT	1/4 NPT	1/2 NPT
Actuating torque at 6 bar		[Nm]	0.9	2	5

Operating and environmental conditions	
Operating medium	Compressed air to ISO 8573-1:2010 [7:4:4]
Note on operating/pilot medium	Lubricated operation possible (in which case lubricated operation will always be required)
Operating pressure	[bar] 0 ... 10 (vacuum only permitted at port 3)
Ambient temperature	[°C] -20 ... +80
Temperature of medium	[°C] -20 ... +80
Corrosion resistance class CRC ¹⁾	2

1) Corrosion resistance class 2 according to Festo standard 940070
Components subject to moderate corrosion stress. External visible parts with primarily decorative surface requirements which are in direct contact with the surrounding industrial environment or media such as coolants or lubricating agents.

Proximity sensors for switching position indication					
Connection size	Connection direction	Type			
		SME-10-... -L-...	SMT-10... -L-...	SME-10-... -Q-...	SMT-10... -Q-...
1/8 NPT	Underneath	■	■	■	■
	At the side	-	-	■	■
1/4 NPT	Underneath	■	■	■	■
	At the side	-	-	■	■
1/2 NPT	Underneath	■	■	■	■
	At the side	-	-	■	■

Hand lever valves, VHER-H-B43, NPT, non-reversible, metal lever

Technical data VHER-H-B43, NPT


Operation with different pressures

Vacuum operation


In the case of valves VHER-B43, the direction of flow is clearly defined and cannot be reversed.


It should therefore be noted that during vacuum operation the direction of flow will be maintained.

Vacuum may only be connected to port 3.
Vacuum operation at port 3:
-0.95 ... 0 bar

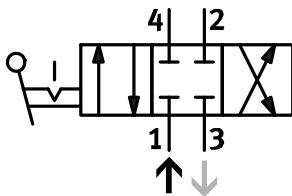
 **Note**
A filter must be installed upstream of valves operated in vacuum mode. This prevents any foreign matter in

the intake air getting into the valve (e.g. when operating a suction cup).

 **Note**
During vacuum operation, the valve function changes from exhausted (VHER-...-B43E-...) to pressurised (VHER-...-B43U-...) and vice versa.

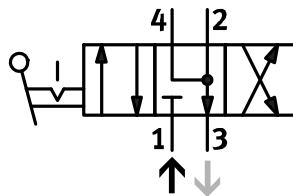
 **Note**
Vacuum must not be connected to port 1.

During vacuum operation:
mid-position closed
(VHER-...-B43C-...)



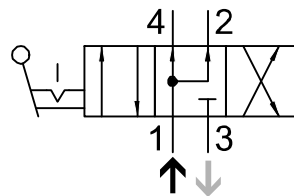
(During normal operation: mid-position closed VHER-...-B43C-...)

During vacuum operation:
mid-position pressurised
(VHER-...-B43U-...)



(During normal operation: mid-position exhausted VHER-...-B43E-...)

During vacuum operation:
mid-position exhausted
(VHER-...-B43E-...)



(During normal operation: mid-position pressurised VHER-...-B43U-...)


Connections with vacuum:

- Vacuum is generated by connecting vacuum generator to port 3
- Exhaust (or pressurisation) takes place via port 1
- Vacuum operation (e.g. suction cup) takes place at port 2 (or 4)

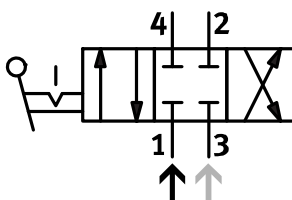
Dual-pressure operation

Valves VHER-B43 are suitable for dual-pressure operation.

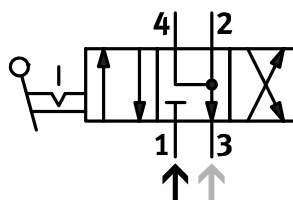
Please note that for design reasons compressed air may only be applied to port 1 and 3.

 **Note**
In the case of dual-pressure operation, the higher pressure must always be applied to port 1.

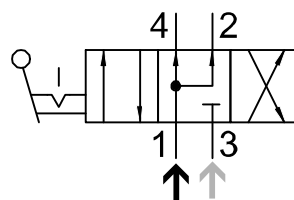
mid-position closed
VHER-...-B43C-...



mid-position exhausted
VHER-...-B43E-...



mid-position pressurised
VHER-...-B43U-...



Connections with dual-pressure operation:

- Supply port: port 1 (high pressure)
- Supply port: port 3 (lower pressure)

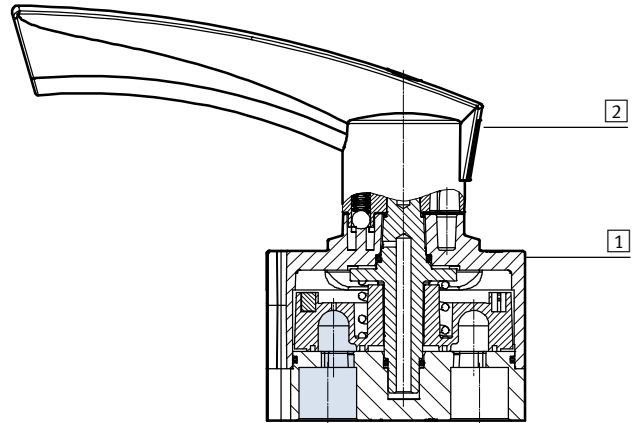
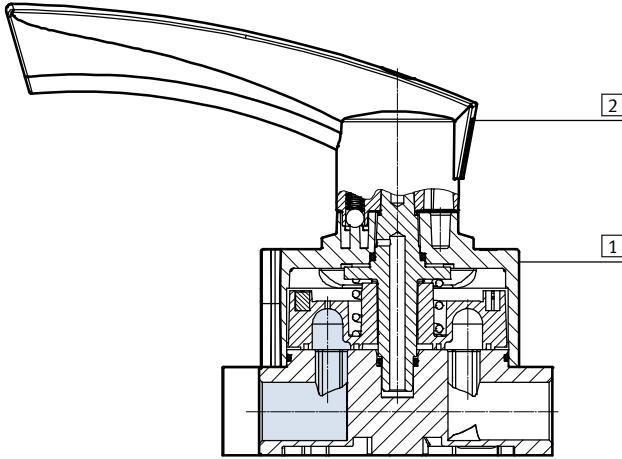
Hand lever valves, VHER-H-B43, NPT, non-reversible, metal lever

Technical data VHER-H-B43, NPT

Sectional view

Hand lever valve VHER-H-B43-...

Hand lever valve VHER-H-B43...-B-...



Materials

1	Housing	Die-cast aluminium
2	Actuating lever	Metal (die-cast aluminium)
-	Seals	NBR
-	Note on materials	RoHS compliant
-	Note on materials	Free of copper and PTFE

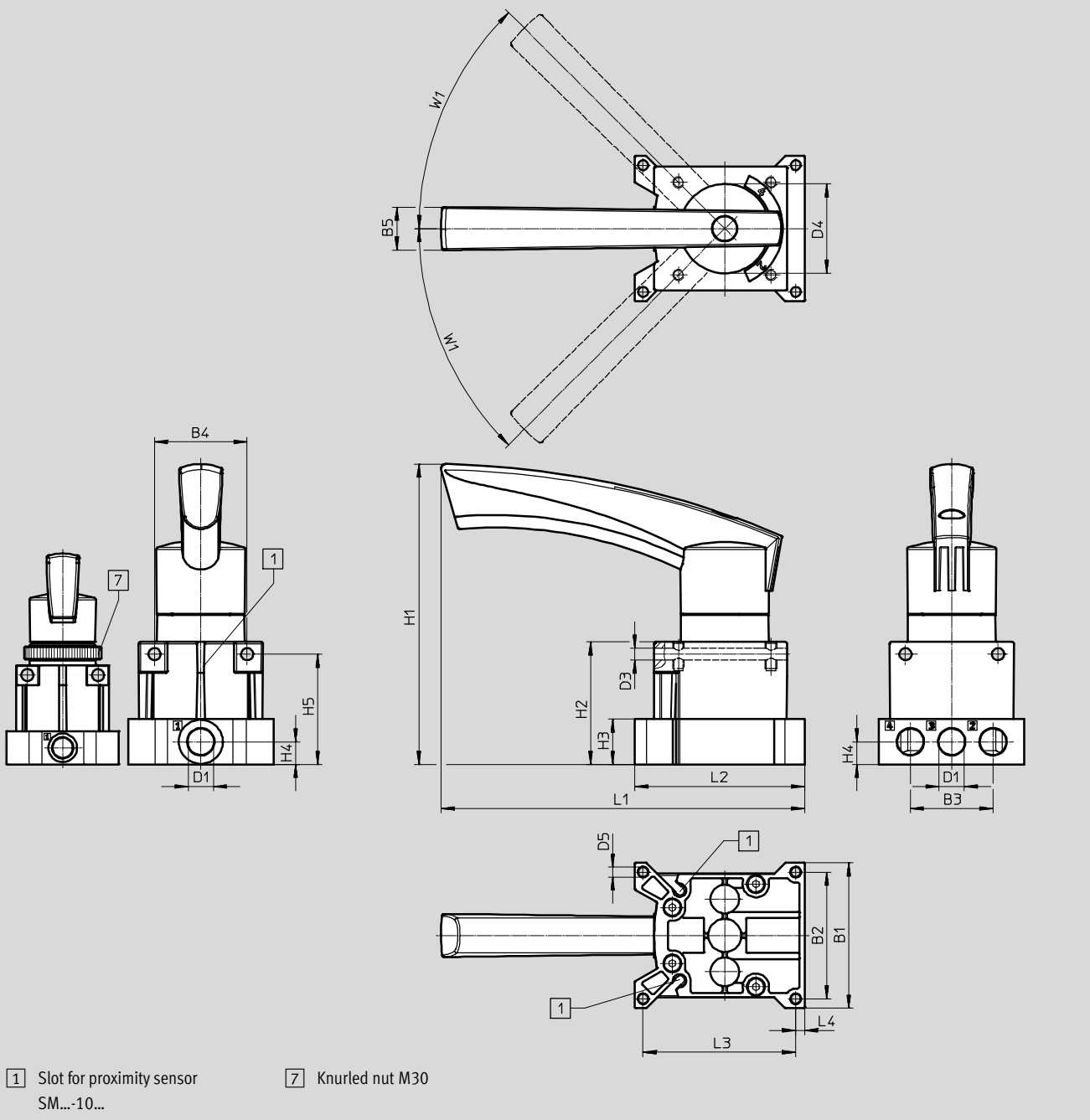
Hand lever valves, VHER-H-B43, NPT, non-reversible, metal lever

Technical data VHER-H-B43, NPT

Dimensions

Download CAD data → www.festo.com

Pneumatic connection 1/8 NPT, at the side



Type	B1	B2	B3	B4	B5	D1	D3	D4	D5
VHER-H-B43...-N18	51	45	28.5	32	14.6	1/8 NPT	5.5	30.2	3.3

Type	H1	H2	H3	H4	H5	L1	L2	L3	L4	W1
VHER-H-B43...-N18	95.6	45	15	7.5	40.5	84.9	60.5	54.5	3	45°

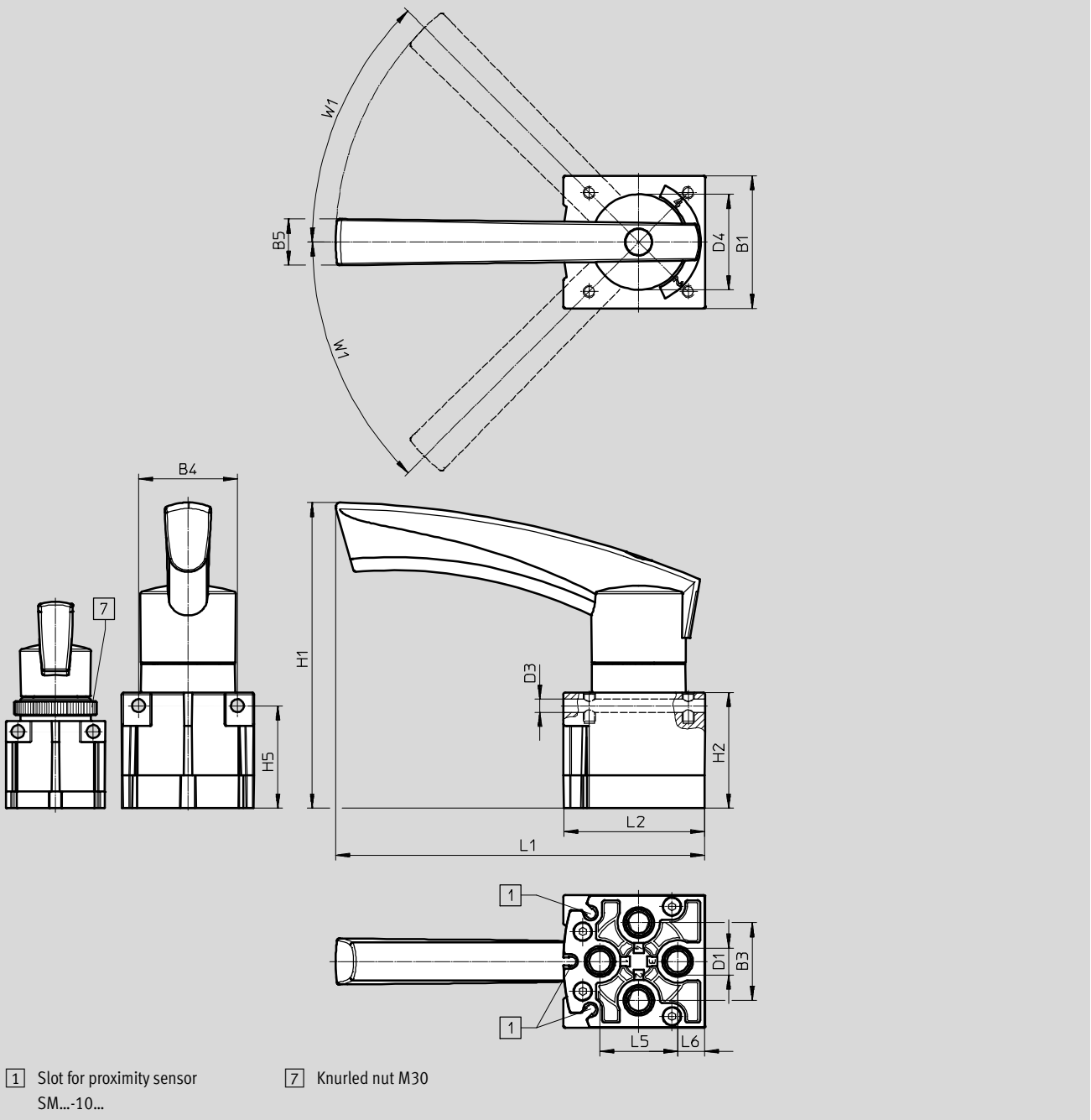
Hand lever valves, VHER-H-B43, NPT, non-reversible, metal lever

Technical data VHER-H-B43, NPT

Dimensions

Download CAD data → www.festo.com

Pneumatic connection 1/8 NPT, underneath



Type	B1	B3	B4	B5	D1	D3	D4
VHER-H-B43...-B-N18	42.2	24	32	14.6	1/8 NPT	5.5	30.2

Type	H1	H2	H5	L1	L2	L5	L6	W1
VHER-H-B43...-B-N18	87.6	37	32.5	78.6	44.9	24	9	45°

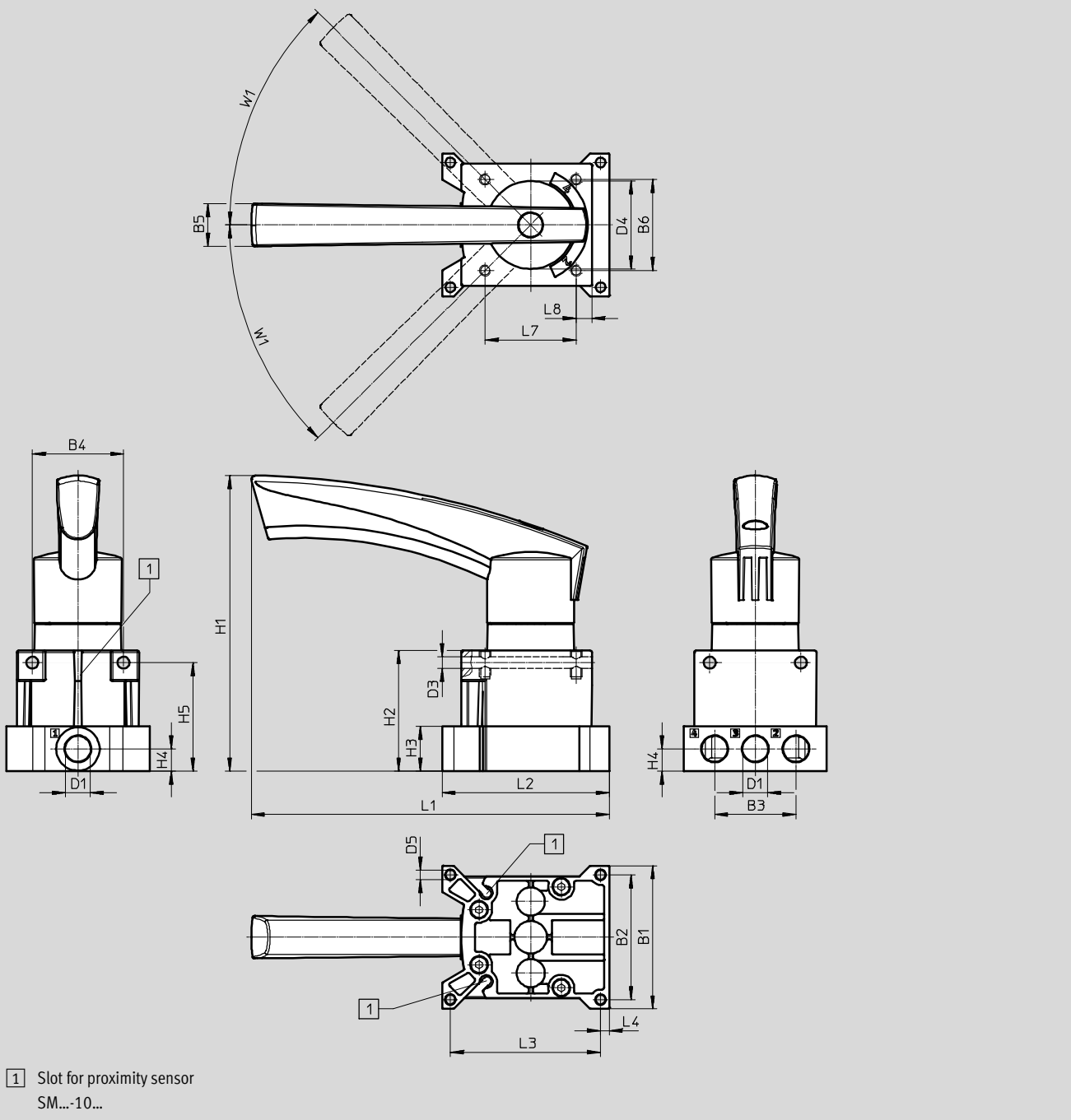
Hand lever valves, VHER-H-B43, NPT, non-reversible, metal lever

Technical data VHER-H-B43, NPT

Dimensions

Download CAD data → www.festo.com

Pneumatic connection 1/4 NPT, at side



Type	B1	B2	B3	B4	B5	B6	D1	D3	D4	D5
VHER-H-B43...-N14	66	57.5	37.5	42	19.5	42	1/4 NPT	5.5	40.5	4.5

Type	H1	H2	H3	H4	H5	L1	L2	L3	L4	L7	L8	W1
VHER-H-B43...-N14	136.3	55.5	20.5	103	50	164.8	77	69.2	4	42	7.2	45°

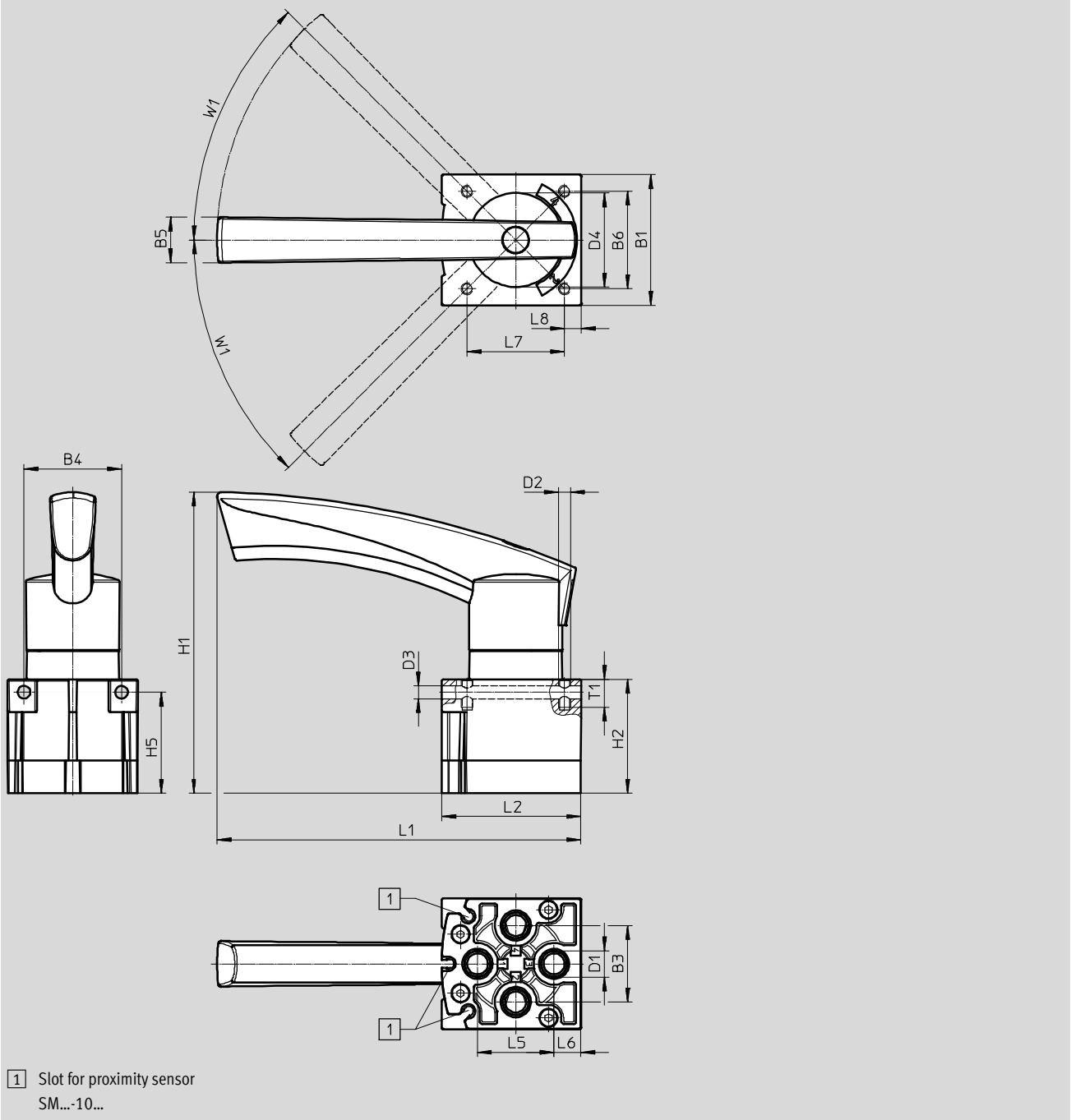
Hand lever valves, VHER-H-B43, NPT, non-reversible, metal lever

Technical data VHER-H-B43, NPT

Dimensions

Download CAD data → www.festo.com

Pneumatic connection 1/4 NPT, underneath



Type	B1	B3	B4	B5	B6	D1	D2	D3	D4
VHER-H-B43...-B-N14	56.3	33	42	19.5	42	1/4 NPT	M5	∅ 5.5	∅ 40.5

Type	H1	H2	H5	L1	L2	L5	L6	L7	L8	T1	W1
VHER-H-B43...-B-N14	129.8	49	43.5	156.6	59.8	33	11.4	42	7.2	12	45°

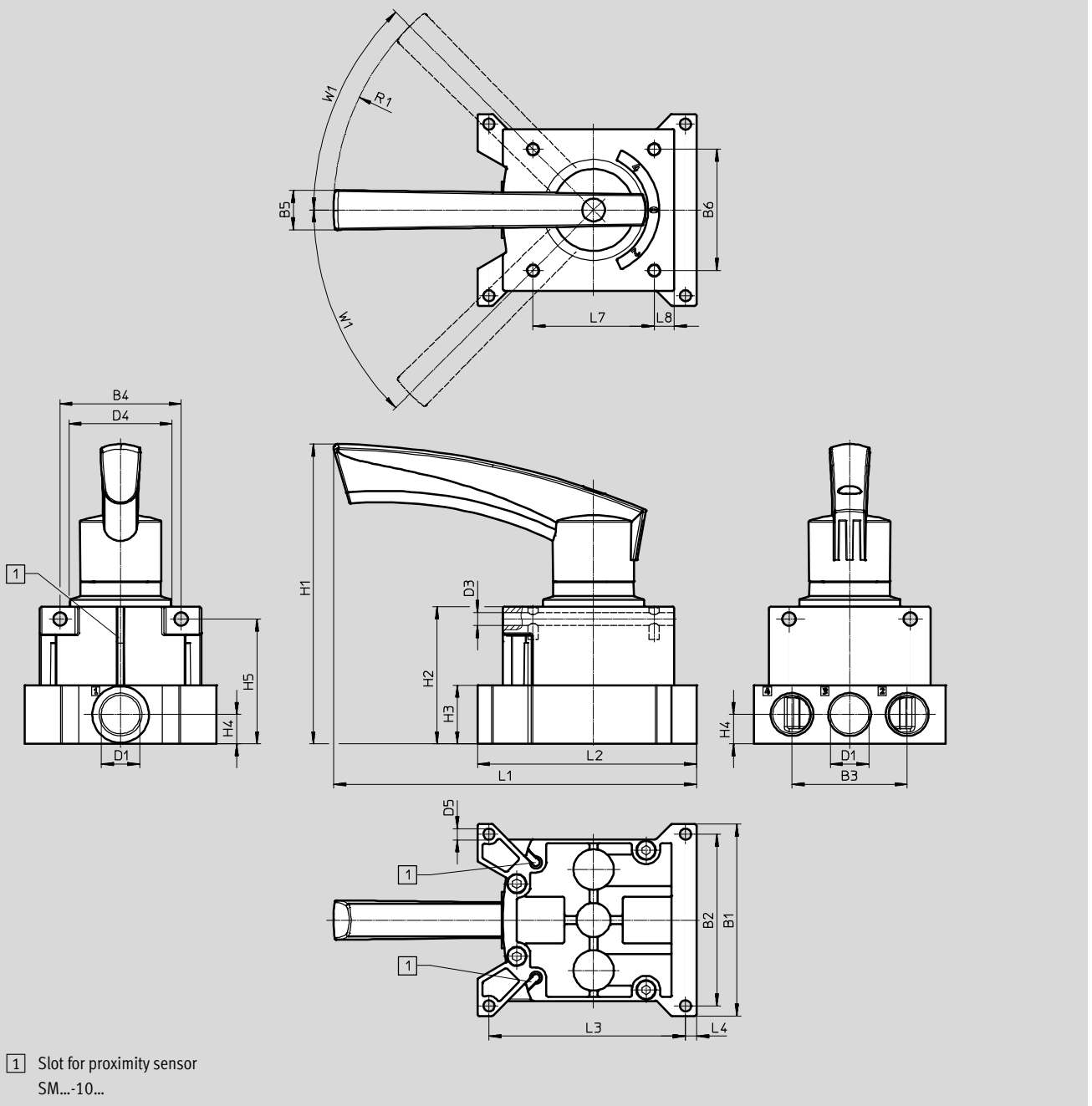
Hand lever valves, VHER-H-B43, NPT, non-reversible, metal lever

Technical data VHER-H-B43, NPT

Dimensions

Download CAD data → www.festo.com

Pneumatic connection 1/2 NPT, at the side



Type	B1	B2	B3	B4	B5	D1	D3 ∅	D4 ∅	D5 ∅
VHER-H-B43-...-N12	95	85	57	60	19.5	1/2 NPT	6.6	51	5.5

Type	H1	H2	H3	H4	H5	L1	L2	L3	L4	L7	L8	R1	W1
VHER-H-B43-...-N12	149	68	29	14.5	61.8	180	108.5	97.3	5.5	60	10	128	45°

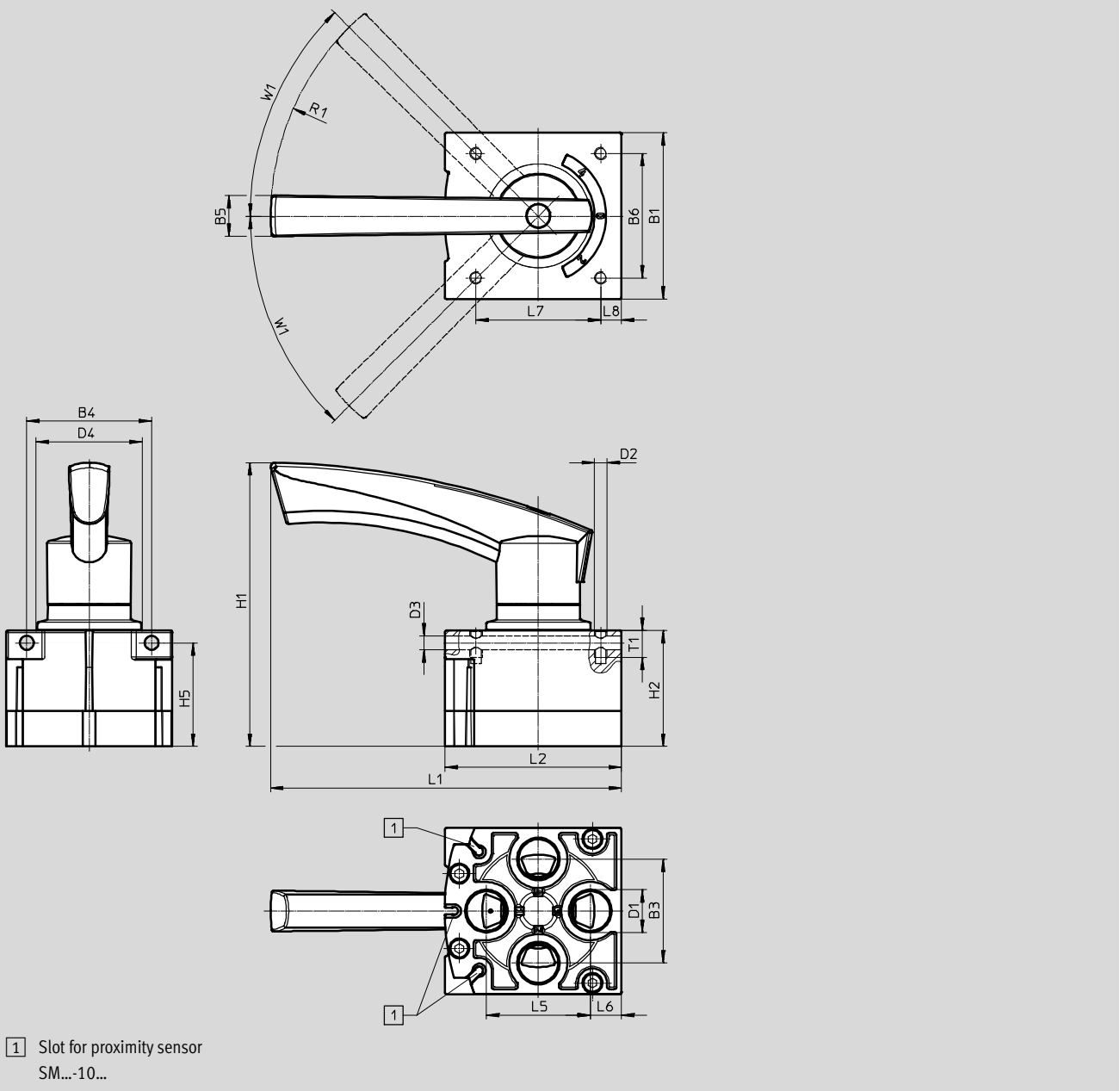
Hand lever valves, VHER-H-B43, NPT, non-reversible, metal lever

Technical data VHER-H-B43, NPT

Dimensions

Download CAD data → www.festo.com

Pneumatic connection 1/2 NPT, underneath

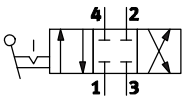


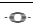
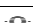
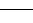
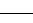
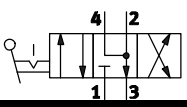




Type	B1	B3	B4	B5	B6	D1	D2	D3	D4
VHER-H-B43-...-B-N12	80	50	60	19.5	60	1/2 NPT	M5	∅ 6.6	∅ 51


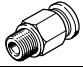
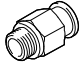


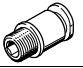





Type	H1	H2	H5	L1	L2	L5	L6	L7	L8	R1	T1	W1
VHER-H-B43-...-B-N12	136.5	55.8	49.8	168.6	84.8	50	15	60	10	128	13	45°

Hand lever valves, VHER-H-B43, NPT, non-reversible, metal lever

Ordering data

Ordering data – Hand lever valves						
Circuit symbol	Description	Actuating lever	Pneumatic connection	Weight [g]	Width [mm]	Part No. Type
4/3-way valve ¹⁾						
	mid-position closed	Metal	Underneath	220	42	3488213 VHER-H-B43C-B-N18 
			At the side	260	51	3488212 VHER-H-B43C-N18 
			Underneath	510	56	3520389 VHER-H-B43C-B-N14 
			At the side	560	66	3520365 VHER-H-B43C-N14 
			Underneath	860	80	3192086 VHER-H-B43C-B-N12 
			At the side	1010	95	3192085 VHER-H-B43C-N12 
	mid-position exhausted	Metal	Underneath	860	80	3192088 VHER-H-B43E-B-N12 
			At the side	1010	95	3192087 VHER-H-B43E-N12 

1) The hand lever valve can be used as a 3/3-way valve by sealing port 2.


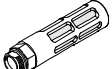

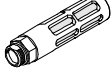
Ordering data – Push-in fittings					
Description	Connection		Part No.	Type	PU ¹⁾
Pneumatic connection: underneath, external hexagon					
	1/8 NPT	NPT thread with sealing ring for (short design)	Tubing O.D. 1/8 “	533270 QBM-1/8-1/8-U	10
			Tubing O.D. 5/32 “	572305 QBM-1/8-5/32-U	10
	1/8 NPT	NPT thread with sealing ring for	Tubing O.D. 5/32 “	533271 QB-1/8-5/32-U	10
	1/4 NPT	NPT thread with sealing ring for	Tubing O.D. 1/4 “	533276 QB-1/4-1/4-U	10
			Tubing O.D. 5/32 “	567772 QB-1/4-5/32-U	10
			Tubing O.D. 3/16 “	533275 QB-1/4-3/16-U	10
			Tubing O.D. 5/16 “	533277 QB-1/4-5/16-U	10
	1/2 NPT	NPT thread with sealing ring for	Tubing O.D. 3/8 □	533283 QB-1/2-3/8-U	5
			Tubing O.D. 1/2 □	533284 QB-1/2-1/2-U	5
Pneumatic connection: underneath, internal hexagon					
	1/8 NPT	NPT thread with sealing ring for	Tubing O.D. 5/16 “	572319 QB-1/8-5/16-I-U	10
			Tubing O.D. 1/4 “	572318 QB-1/8-1/4-I-U	10
			Tubing O.D. 5/32 “	572317 QB-1/8-5/32-I-U	10
			Tubing O.D. 3/16 “	572315 QB-1/8-3/16-I-U	10
	1/4 NPT	NPT thread with sealing ring for (short design)	Tubing O.D. 1/8 “	572306 QBM-1/4-1/8-U	10
	1/4 NPT	NPT thread with sealing ring for	Tubing O.D. 1/4 “	572320 QB-1/4-1/4-I-U	10
			Tubing O.D. 5/16 “	572321 QB-1/4-5/16-I-U	10
			Tubing O.D. 3/8 “	572322 QB-1/4-3/8-I-U	10
	1/2 NPT	NPT thread with sealing ring for	Tubing O.D. 1/2 □	572326 QB-1/2-1/2-I-U	5
Pneumatic connection: at the side, internal hexagon					
	1/8 NPT	NPT thread with sealing ring for	Tubing O.D. 1/4 “	572318 QB-1/8-1/4-I-U	10
			Tubing O.D. 5/32 “	572317 QB-1/8-5/32-I-U	10
	1/4 NPT	NPT thread with sealing ring for	Tubing O.D. 1/4 “	572320 QB-1/4-1/4-I-U	10
			Tubing O.D. 5/16 “	572321 QB-1/4-5/16-I-U	10
			Tubing O.D. 3/8 “	572322 QB-1/4-3/8-I-U	10
	1/2 NPT	NPT thread with sealing ring for	Tubing O.D. 1/2 □	572326 QB-1/2-1/2-I-U	5

1) Packaging unit

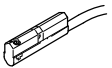
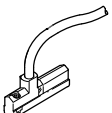
Hand lever valves, VHER-H-B43, NPT, non-reversible, metal lever

FESTO

Accessories

Ordering data – Silencers							
Description	Connection	Materials			Part No.	Type	PU ¹⁾
		Threaded plug	Silencer insert	Housing			
Pneumatic connection: underneath							
	1/8 NPT	Die-cast aluminium	PE	Die-cast aluminium	12638	U-1/8-B-NPT	1
	1/4 NPT	Die-cast aluminium	PE	Die-cast aluminium	12639	U-1/4-B-NPT	1
	1/2 NPT	Die-cast aluminium	PE	Die-cast aluminium	12741	U-1/2-B-NPT	1
Pneumatic connection: at the side							
	1/8 NPT	Die-cast aluminium	PE	Die-cast aluminium	12638	U-1/8-B-NPT	1
	1/4 NPT	Die-cast aluminium	PE	Die-cast aluminium	12639	U-1/4-B-NPT	1
	1/2 NPT	Die-cast aluminium	PE	Die-cast aluminium	12741	U-1/2-B-NPT	1

1) Packaging unit


Ordering data – Proximity sensors								
Description	Connection outlet direction	Measuring principle	Electrical connection	Cable length [m]	Part No.	Type	PU ¹⁾	
								N/O contact
	In-line	Magnetic reed	Contacting, bipolar	Cable, 3-wire	2.5	173210	SME-10-KL-LED-24	1
							551365	SME-10M-DS-24V-E-2,5-L-OE ²⁾
				Plug M8x1, 3-pin	0.3	173212	SME-10-SL-LED-24	1
							551367	SME-10M-DS-24V-E-0,3-L-M8D ²⁾
				Cable, 2-wire	2.5	551369	SME-10M-ZS-24V-E-2,5-L-OE ²⁾	1
		Magneto-resistive	PNP	Cable, 3-wire	2.5	551373	SMT-10M-PS-24V-E-2,5-L-OE ²⁾	1
					Plug M8x1, 3-pin	0.3	551375	SMT-10M-PS-24V-E-0,3-L-M8D ²⁾
			NPN	Cable, 3-wire	2.5	551377	SMT-10M-NS-24V-E-2,5-L-OE ²⁾	1
					Plug M8x1, 3-pin	0.3	551379	SMT-10M-NS-24V-E-0,3-L-M8D ²⁾
			Non-contacting, 2-wire	Cable, 2-wire	2.5	551382	SMT-10M-ZS-24V-E-2,5-L-OE ²⁾	1
	Lateral	Magnetic reed	Contacting, bipolar	Cable, 3-wire	2.5	173211	SME-10-KQ-LED-24	1
							551366	SME-10M-DS-24V-E-2,5-Q-OE ²⁾
				Plug M8x1, 3-pin	0.3	173213	SME-10-SQ-LED-24	1
						551368	SME-10M-DS-24V-E-0,3-Q-M8D ²⁾	1
				Cable, 2-wire	2.5	551370	SME-10M-ZS-24V-E-2,5-Q-OE ²⁾	1
				Magneto-resistive	PNP	Cable, 3-wire	2.5	551374
		Plug M8x1, 3-pin	0.3				551376	SMT-10M-PS-24V-E-0,3-Q-M8D ²⁾
		NPN	Cable, 3-wire		2.5	551378	SMT-10M-NS-24V-E-2,5-Q-OE ²⁾	1
					Plug M8x1, 3-pin	0.3	551380	SMT-10M-NS-24V-E-0,3-Q-M8D ²⁾
		Non-contacting, 2-wire	Cable, 2-wire		2.5	551383	SMT-10M-ZS-24V-E-2,5-Q-OE ²⁾	1

1) Packaging unit

2) Oil-resistant, halogen-free, ROHS compliant

Hand lever valves, VHER-H-B43, NPT, non-reversible, metal lever

Accessories

Ordering data					
	Description	Connection	Part No.	Type	PU ¹⁾
Blanking plug					
	With sealing ring, internal hexagon, for sealing ports	1/8 NPT	173985	B-1/8-NPT	1
		1/4 NPT	174165	B-1/4-NPT	1
		1/2 NPT	31785	B-1/2-NPT	1

1) Packaging unit

Product Range and Company Overview

A Complete Suite and Company Overview

Our experienced engineers provide complete support at every stage of your development process, including: conceptualization, analysis, engineering, design, assembly, documentation, validation, and production.



Custom Automation Components
Complete custom engineered solutions



Custom Control Cabinets
Comprehensive engineering support and on-site services



Complete Systems
Shipment, stocking and storage services

The Broadest Range of Automation Components

With a comprehensive line of more than 30,000 automation components, Festo is capable of solving the most complex automation requirements.



Electromechanical
Electromechanical actuators, motors, controllers & drivers



Pneumatics
Pneumatic linear and rotary actuators, valves, and air supply



PLCs and I/O Devices
PLC's, operator interfaces, sensors and I/O devices

Supporting Advanced Automation... As No One Else Can!

Festo is a leading global manufacturer of pneumatic and electromechanical systems, components and controls for industrial automation, with more than 16,000 employees in 60 national headquarters serving more than 180 countries. For more than 80 years, Festo has continuously elevated the state of manufacturing with innovations and optimized motion control solutions that deliver higher performing, more profitable automated manufacturing and processing equipment. Our dedication to the advancement of automation extends beyond technology to the education and development of current and future automation and robotics designers with simulation tools, teaching programs, and on-site services.

Quality Assurance, ISO 9001 and ISO 14001 Certifications

Festo Corporation is committed to supply all Festo products and services that will meet or exceed our customers' requirements in product quality, delivery, customer service and satisfaction.

To meet this commitment, we strive to ensure a consistent, integrated, and systematic approach to management that will meet or exceed the requirements of the ISO 9001 standard for Quality Management and the ISO 14001 standard for Environmental Management.

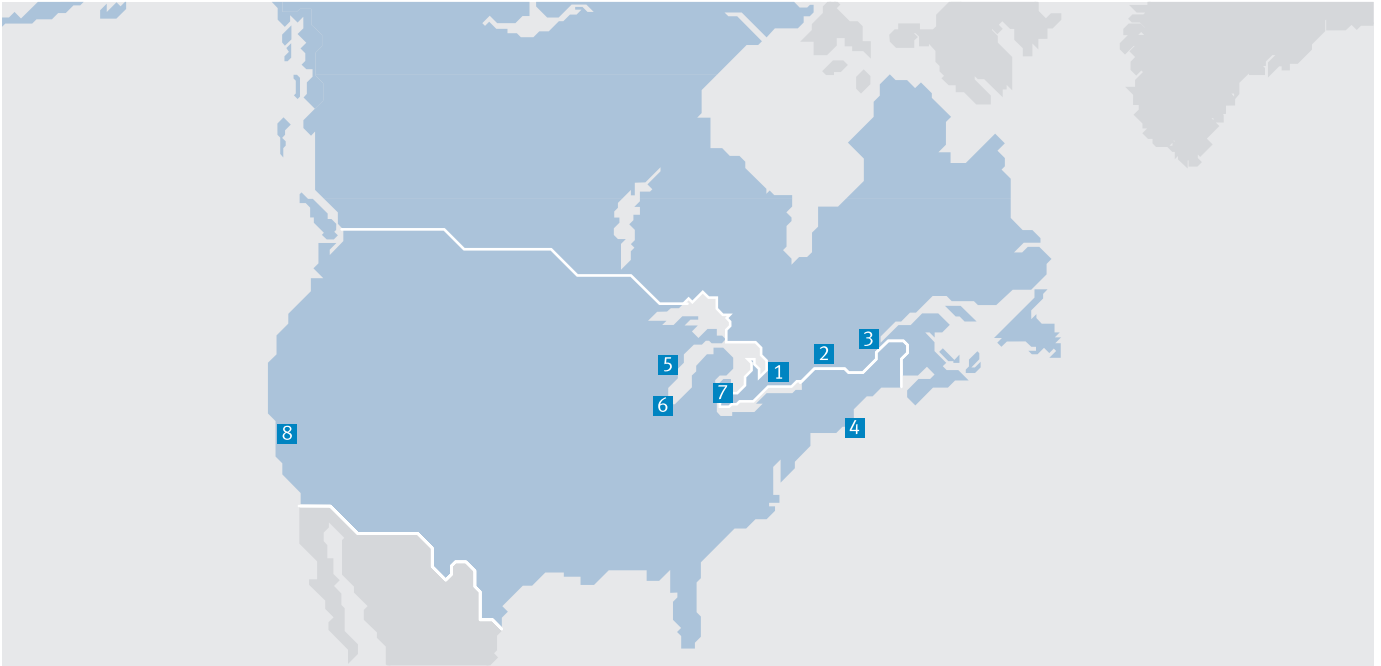


© Copyright 2013, Festo Corporation. While every effort is made to ensure that all dimensions and specifications are correct, Festo cannot guarantee that publications are completely free of any error, in particular typing or printing errors. Accordingly, Festo cannot be held responsible for the same. For Liability and Warranty conditions, refer to our "Terms and Conditions of Sale", available from your local Festo office. All rights reserved. No part of this publication may be reproduced, distributed, or transmitted in any form or by any means, electronic, mechanical, photocopying or otherwise, without the prior written permission of Festo. All technical data subject to change according to technical update.



Printed on recycled paper at New Horizon Graphic, Inc., FSC certified as an environmental friendly printing plant.

Festo North America



**1 Festo Canada
Headquarters
Festo Inc.**
5300 Explorer Drive
Mississauga, ON
L4W 5G4

2 Montréal
5600, Trans-Canada
Pointe-Claire, QC
H9R 1B6

3 Québec City
2930, rue Watt#117
Québec, QC
G1X 4G3



**4 Festo United States
Headquarters
Festo Corporation**
395 Moreland Road
Hauppauge, NY
11788

5 Appleton
North 922 Tower View Drive, Suite N
Greenville, WI
54942

7 Detroit
1441 West Long Lake Road
Troy, MI
48098

6 Chicago
85 W Algonquin - Suite 340
Arlington Heights, IL
60005

8 Silicon Valley
4935 Southfront Road, Suite F
Livermore, CA
94550

Festo Regional Contact Center

Canadian Customers

Commercial Support:
Tel: 1 877 GO FESTO (1 877 463 3786)
Fax: 1 877 FX FESTO (1 877 393 3786)
Email: festo.canada@ca.festo.com

Technical Support:

Tel: 1 866 GO FESTO (1 866 463 3786)
Fax: 1 877 FX FESTO (1 877 393 3786)
Email: technical.support@ca.festo.com

USA Customers

Commercial Support:
Tel: 1 800 99 FESTO (1 800 993 3786)
Fax: 1 800 96 FESTO (1 800 963 3786)
Email: customer.service@us.festo.com

Technical Support:

Tel: 1 866 GO FESTO (1 866 463 3786)
Fax: 1 800 96 FESTO (1 800 963 3786)
Email: product.support@us.festo.com