

Check valves VBNF

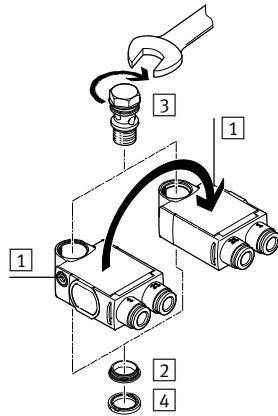


# Check valves VBNF

Key features and product range overview

## Features

- Minimal height
- High flow rate
- Can be rotated horizontally through 360° in assembled state
- Actuation direction **1** can be changed by repositioning the housing



**Note**

The following sequence must be observed when assembling the individual components:

- 1) Press thrust ring **2** into the housing until it fits tightly.
- 2) Insert hollow bolt **3** into the opening.
- 3) Push sealing ring OK **4** over the thread of the hollow bolt.

Product range overview							
Function	Valve function	Design	Type	Pneumatic connection 1	Pneumatic connection 2	qnN [l/min]	→ Page/ Internet
Check valves	Flat design						
	Piloted non-return function		VBNF	QS-6, QS-8	G1/8, G1/4	260 ... 620	3
	Compact design						
	Non-return function		H	QS-4, QS-6, QS-8, QS-10, QS-12	QS-4, QS-6, QS-8, QS-10, QS-12	136 ... 1,715	h-qs
				M5, G1/8, G1/4, G3/8, G1/2, G3/4	M5, G1/8, G1/4, G3/8, G1/2, G3/4	115 ... 5,900	h
	Non-return function		HA	M5, R1/8, R1/4, R3/8, R1/2	QS-4, QS-6, QS-8, QS-10, QS-12	138 ... 2,230	ha
HB			QS-4, QS-6, QS-8, QS-10, QS-12	M5, R1/8, R1/4, R3/8, R1/2	142 ... 2,206	hb	
Piloted check valves	Compact design						
	Piloted non-return function		HGL	QS-4, QS-6, QS-8, QS-10, QS-12	M5, G1/8, G1/4, G3/8, G1/2	130 ... 1,400	hgl
				M5, G1/8, G1/4, G3/8, G1/2	M5, G1/8, G1/4, G3/8, G1/2	130 ... 1,600	hgl

# Check valves VBNF

Type codes

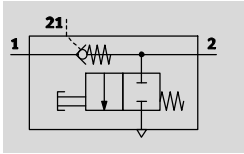
		VBNF	-	L	BA	-	G18	-	Q6
<b>Type</b>									
VBNF	Check valve, flat design								
<b>Design</b>									
L	L-shaped outlet								
<b>Additional function</b>									
BA	Piloted non-return function, manual exhaust function								
<b>Pneumatic connection 2</b>									
G18	Thread G $\frac{1}{8}$								
G14	Thread G $\frac{1}{4}$								
<b>Pneumatic connection 1</b>									
Q6	Push-in connector QS-6								
Q8	Push-in connector QS-8								

# Check valves VBNF

Technical data



Piloted non-return function



- - Standard nominal flow rate  
260 ... 620 l/min
- - Temperature range  
-10 ... +60 °C
- - Operating pressure  
0.2 ... 10 bar



The check valve VBNF-LBA is a valve with a piloted non-return function and a manual exhaust function. The piloted non-return function can be

used for a temporary intermediate stop. If a pilot signal is applied, the exhaust air can escape. If no pilot

signal is applied, the valve shuts off the exhaust air from the drive and the drive stops temporarily.

The integrated manual exhaust function can be used to manually vent a pneumatic drive.

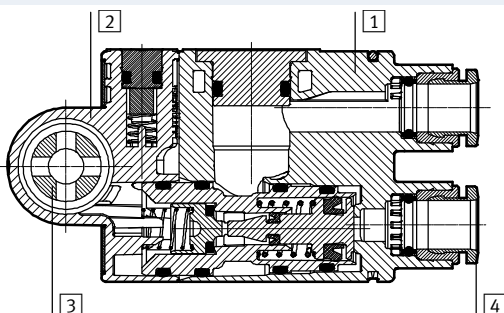
General technical data		
Valve function	Piloted non-return function	
Pneumatic connection 2	G $\frac{1}{8}$	G $\frac{1}{4}$
Pneumatic connection 1	QS-6	QS-8
Pilot air connection 21	QS-6	QS-8
Type of actuation, piloted non-return function	Pneumatic	
Manual exhaust function	Non-detenting	
Type of mounting	Screw-in	
Mounting position	Any	
Switching time	Off [ms]	9
	On [ms]	6
Nominal tightening torque	[Nm]	3 ±20%
		11 ±20%
Rotatability	[°]	360 (continuous rotation not permitted)

Operating and environmental conditions		
Operating pressure for entire temperature range	[bar]	0.2 ... 10
Pilot pressure	[bar]	2 ... 10
Operating/pilot medium		Compressed air according to ISO 8573-1:2010 [7:4:4]
Note on operating/pilot medium		Lubricated operation possible (in which case lubricated operation will always be required)
Ambient temperature	[°C]	-10 ... +60
Temperature of medium	[°C]	-10 ... +60
Storage temperature	[°C]	-20 ... +70
Corrosion resistance class CRC <sup>1)</sup>		2

1) Corrosion resistance class CRC 2 to Festo standard FN 940070  
Moderate corrosion stress. Indoor applications in which condensation may occur. External visible parts with primarily decorative requirements for the surface and which are in direct contact with the ambient atmosphere typical for industrial applications.

## Materials

Sectional view



Check valve	
1	Housing PBT
2	End cap PBT
3	Hollow bolt Wrought aluminium alloy
4	Releasing ring POM
-	Cover ES-BE
-	Seals NBR
Note on materials RoHS-compliant	

# Check valves VBNF

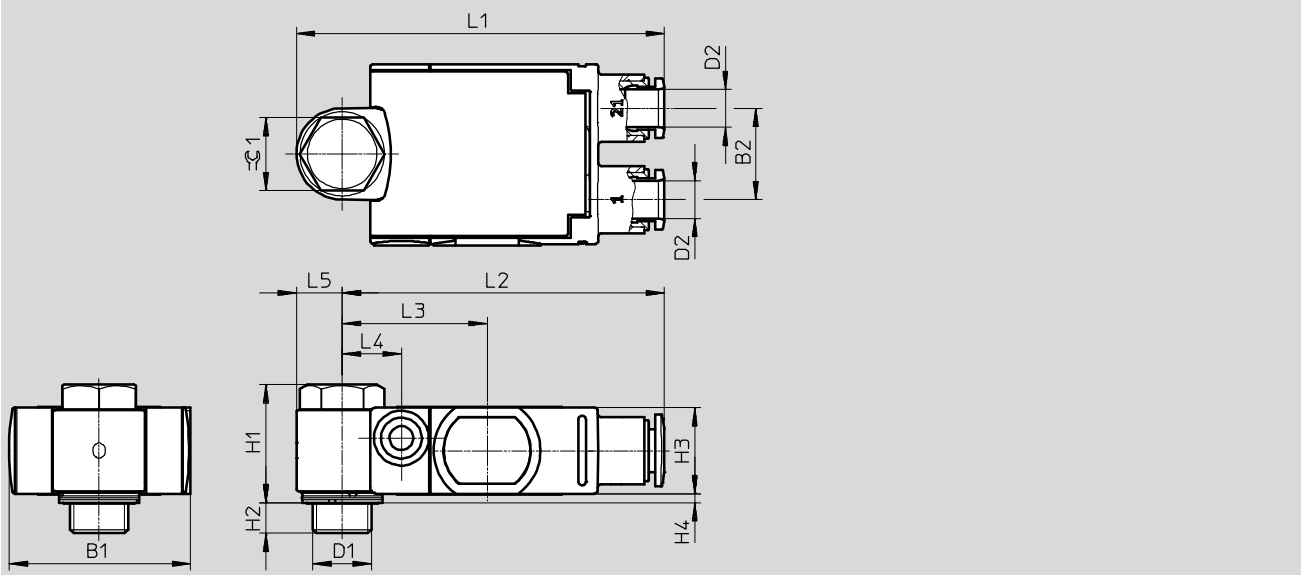
Technical data

## Minimum pilot pressure p21 as a function of operating pressure p1



## Dimensions

Download CAD data → [www.festo.com](http://www.festo.com)



Type	Connection D1	Tubing O.D. D2	B1	B2	H1	H2	H3	H4	L1	L2	L3	L4	L5	⌀C1
VBNF-...-G18-Q6	G1/8	QS-6	29.8	15	19.4	5	14.1	1.5	60.3	52.8	23.8	9.7	7.5	12
VBNF-...-G14-Q8	G1/4	QS-8	39.5	20.5	28.2	5.6	21	2	76.8	66.8	30	11.1	10	15

## Ordering data

Design	Pneumatic connection		Pilot air connection	Standard nominal flow rate qnN at 6 bar → 5 bar	Standard flow rate qN at 6 bar → 0 bar	Weight	Part No.	Type
	2	1	21	[l/min]	[l/min]	[g]		
	G1/8	QS-6	QS-6	260	500	27.3	<b>8001460</b>	<b>VBNF-LBA-G18-Q6</b>
	G1/4	QS-8	QS-8	620	1,100	65.5	<b>1927027</b>	<b>VBNF-LBA-G14-Q8</b>

## Product Range and Company Overview

### A Complete Suite and Company Overview

Our experienced engineers provide complete support at every stage of your development process, including: conceptualization, analysis, engineering, design, assembly, documentation, validation, and production.



**Custom Automation Components**  
Complete custom engineered solutions



**Custom Control Cabinets**  
Comprehensive engineering support and on-site services



**Complete Systems**  
Shipment, stocking and storage services

### The Broadest Range of Automation Components

With a comprehensive line of more than 30,000 automation components, Festo is capable of solving the most complex automation requirements.



**Electromechanical**  
Electromechanical actuators, motors, controllers & drivers



**Pneumatics**  
Pneumatic linear and rotary actuators, valves, and air supply



**PLCs and I/O Devices**  
PLC's, operator interfaces, sensors and I/O devices

### Supporting Advanced Automation... As No One Else Can!

Festo is a leading global manufacturer of pneumatic and electromechanical systems, components and controls for industrial automation, with more than 16,000 employees in 60 national headquarters serving more than 180 countries. For more than 80 years, Festo has continuously elevated the state of manufacturing with innovations and optimized motion control solutions that deliver higher performing, more profitable automated manufacturing and processing equipment. Our dedication to the advancement of automation extends beyond technology to the education and development of current and future automation and robotics designers with simulation tools, teaching programs, and on-site services.

### Quality Assurance, ISO 9001 and ISO 14001 Certifications

Festo Corporation is committed to supply all Festo products and services that will meet or exceed our customers' requirements in product quality, delivery, customer service and satisfaction.

To meet this commitment, we strive to ensure a consistent, integrated, and systematic approach to management that will meet or exceed the requirements of the ISO 9001 standard for Quality Management and the ISO 14001 standard for Environmental Management.

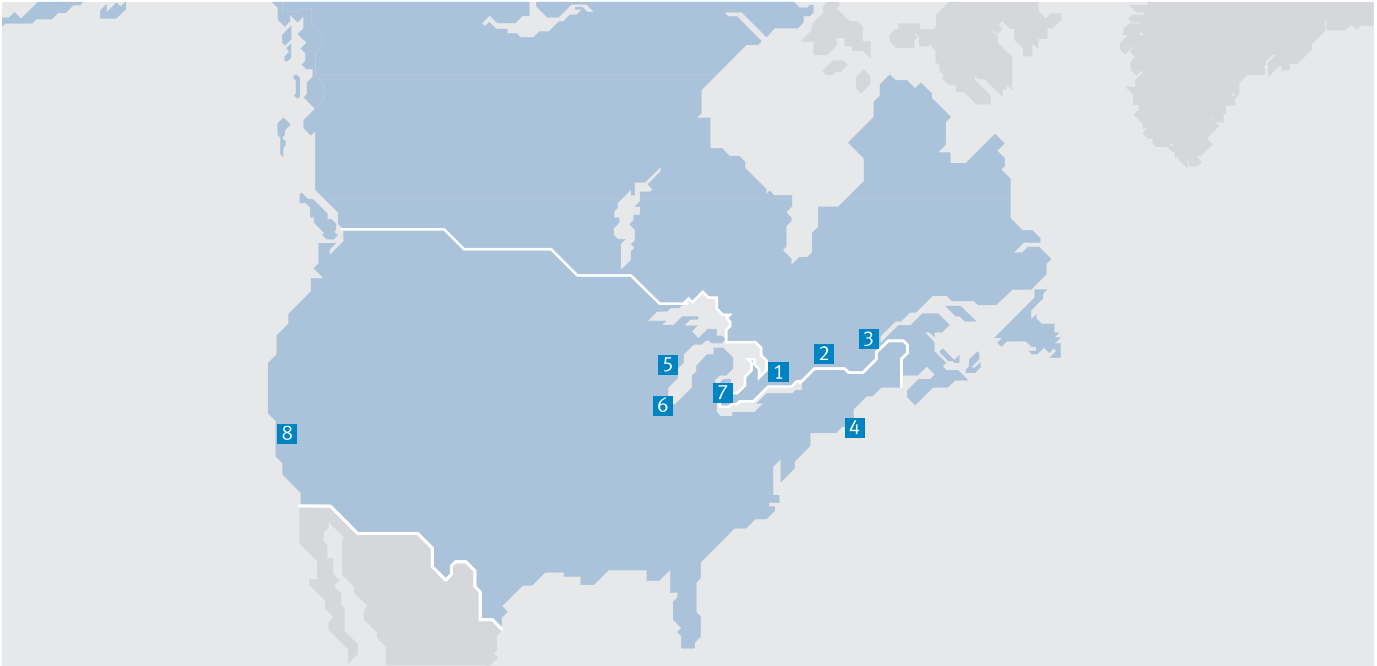


© Copyright 2013, Festo Corporation. While every effort is made to ensure that all dimensions and specifications are correct, Festo cannot guarantee that publications are completely free of any error, in particular typing or printing errors. Accordingly, Festo cannot be held responsible for the same. For Liability and Warranty conditions, refer to our "Terms and Conditions of Sale", available from your local Festo office. All rights reserved. No part of this publication may be reproduced, distributed, or transmitted in any form or by any means, electronic, mechanical, photocopying or otherwise, without the prior written permission of Festo. All technical data subject to change according to technical update.



Printed on recycled paper at New Horizon Graphic, Inc., FSC certified as an environmental friendly printing plant.

# Festo North America



**1 Festo Canada  
Headquarters  
Festo Inc.**  
5300 Explorer Drive  
Mississauga, ON  
L4W 5G4

**2 Montréal**  
5600, Trans-Canada  
Pointe-Claire, QC  
H9R 1B6

**3 Québec City**  
2930, rue Watt#117  
Québec, QC  
G1X 4G3



**4 Festo United States  
Headquarters  
Festo Corporation**  
395 Moreland Road  
Hauppauge, NY  
11788

**5 Appleton**  
North 922 Tower View Drive, Suite N  
Greenville, WI  
54942

**7 Detroit**  
1441 West Long Lake Road  
Troy, MI  
48098

**6 Chicago**  
85 W Algonquin - Suite 340  
Arlington Heights, IL  
60005

**8 Silicon Valley**  
4935 Southfront Road, Suite F  
Livermore, CA  
94550

## Festo Regional Contact Center

### Canadian Customers

Commercial Support:  
Tel: 1 877 GO FESTO (1 877 463 3786)  
Fax: 1 877 FX FESTO (1 877 393 3786)  
Email: festo.canada@ca.festo.com

### Technical Support:

Tel: 1 866 GO FESTO (1 866 463 3786)  
Fax: 1 877 FX FESTO (1 877 393 3786)  
Email: technical.support@ca.festo.com

### USA Customers

Commercial Support:  
Tel: 1 800 99 FESTO (1 800 993 3786)  
Fax: 1 800 96 FESTO (1 800 963 3786)  
Email: customer.service@us.festo.com

### Technical Support:

Tel: 1 866 GO FESTO (1 866 463 3786)  
Fax: 1 800 96 FESTO (1 800 963 3786)  
Email: product.support@us.festo.com