

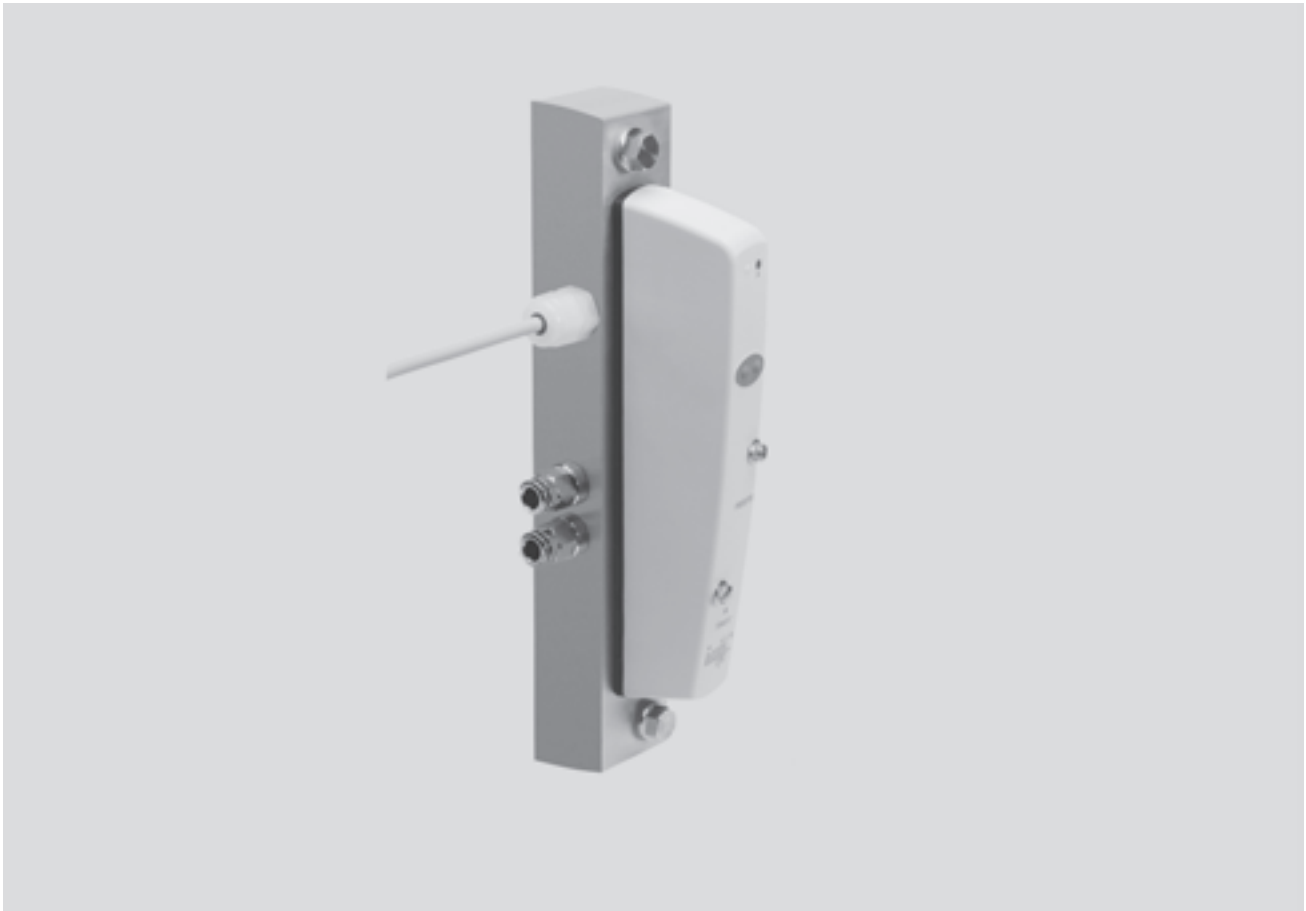
Solenoid valves CDSV, Clean Design



Solenoid valves CDSV, Clean Design

Key features

FESTO



Innovative

Proven valve technology combined with a highly resistant polymer material.

Versatile

- 1 valve position
- 2 solenoid coils
- Flow rate 300 ... 650 l/min
- Valve width 24 mm
- Connected via 10 m PVC cable

Reliable

Developed with practical considerations in mind

- Hygienic
- Corrosion resistant

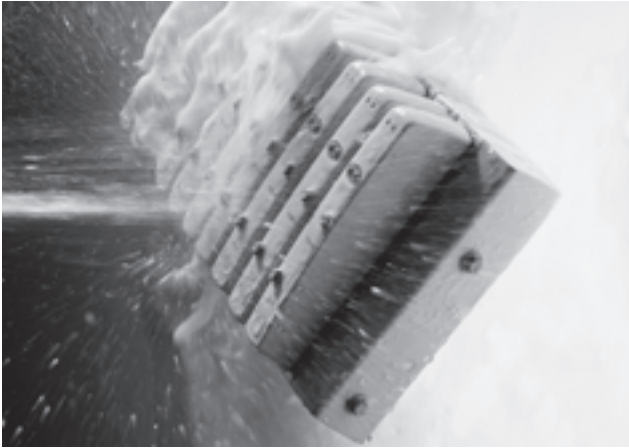
- Easy to clean
- External pilot air
- Ducted venting hole

Solenoid valves CDSV, Clean Design

Key features

FESTO

CDSV and CDVI – The requirements



The food industry has higher hygiene requirements than any other sector, which means there is no room for compromises when it comes to ease of cleaning and resistance to corrosion.

The result: CDSV and MPA-C. Developed in close consultation with trendsetters from the food and packaging industry, the CDSV and CDVI represent a totally new valve and valve terminal solution for splash zones. The Clean Design valves have a revolutionary corrosion-resistant design that sets them apart from their competitors and scores them top marks for ease of cleaning.

CDSV and MPA-C – The solution

The new Clean Design valves - a clean solution

As well as reduced cleaning times, the CDSV and MPA-C also take less time to install and assemble. Stainless steel control cabinets have become a thing of the past and the electrical connection is now established using the pre-assembled, ready-to-connect cable.

The individual sub-base includes all supply ports and common exhausts.

Valve terminal MPA-C

The valve terminal MPA-C provides up to 32 valve positions with a maximum of 32 solenoid coils.

Further information
→ Internet: mpac

Clean in theory and practice – CDSV

The requirements for the hygienic design of machine components to DIN EN 1672-2 and DIN ISO 14 159 have been implemented.

Easy to clean thanks to:

- no sharp edges
- no small radii
- no crevices where dirt can gather
- space between the valves for easy cleaning
- corrosion-resistant materials

The Clean Design valve CDSV can be cleaned using sector-specific cleaning agents that are compatible with aluminium, available from the following manufacturers:

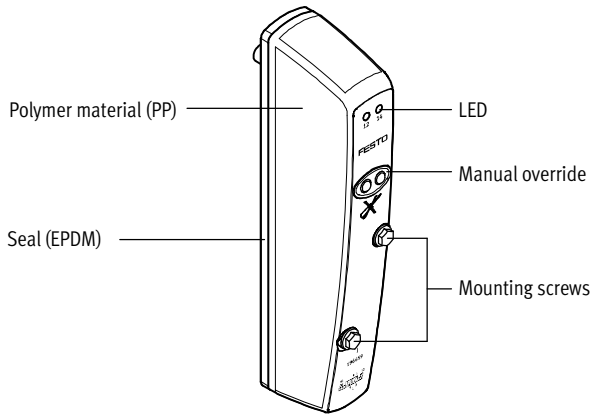
- Henkel
- Ecolab
- Johnson Diversey
- Kärcher

Solenoid valves CDSV, Clean Design

Key features – Pneumatic components



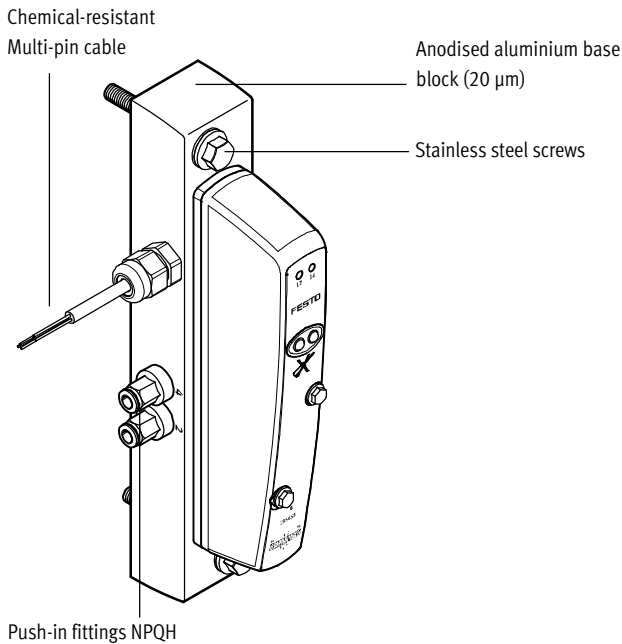
Range of services



The CDSV supports the following valve types:

- 5/2-way valve, single solenoid
- 5/2-way valve, double solenoid
- 5/3-way valve, mid-position pressurised
- 5/3-way valve, mid-position exhausted
- 5/3-way valve, mid-position closed
- 3/2-way valve, single solenoid, normally closed
- 3/2-way valve, single solenoid, normally open
- 2x 3/2-way valve, single solenoid, normally closed
- 2x 3/2-way valve, single solenoid, normally open
- 2x 3/2-way valve, single solenoid, 1x normally open, 1x normally closed
- 2/2-way valve, single solenoid, normally closed
- 2/2-way valve, single solenoid, normally open

Individual sub-base



The CDSV has a connection for external pilot air supply, is pre-assembled with a 10 m PVC cable and is fully inspected before shipment.

Mounting

The CDSV can be mounted in any position. However, it should be mounted in such a way that dirt can be cleaned off and cleaning agent can drain off.

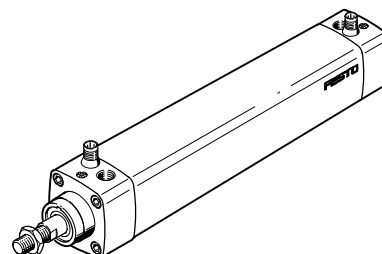
Pressure compensation

The exhaust air from the pilot solenoid coils of the valves is collected and drawn off via the pressure compensation hole on the right-hand side.

The ideal range for the food industry

Choose from

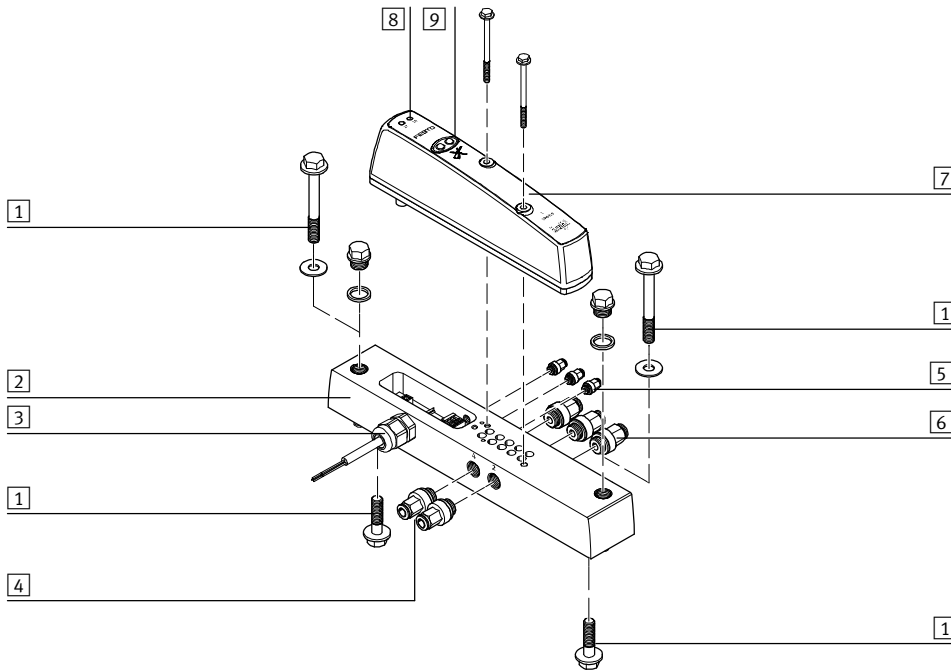
- a wide range of actuators in corrosion-resistant designs that are easy to clean,
 - as well as valves,
 - stainless steel fittings and flow control valves and
 - tubing approved for use in the food industry.
- All have been tested using cleaning agents from leading manufacturers.



Solenoid valves CDSV, Clean Design

Peripherals overview

Overview – Individual Clean Design valve




	Brief description	→ Page/Internet	
1	Mounting screw	Mounting from above or below	–
2	Sub-base for individual valve	–	14
3	Individual electrical connection	–	–
4	Push-in fitting	For working ports	15
5	Push-in fitting	For pilot air supply and exhaust, venting hole	15
6	Push-in fitting	For compressed air supply and exhaust	15
7	Valve	–	14
8	LED display	–	–
9	Manual override	For each solenoid coil, non-detenting	–

The individual sub-base CDSV has a connection for external pilot air supply, is pre-assembled with a 10 m PVC cable and is fully inspected

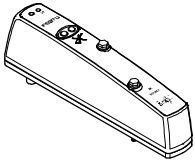
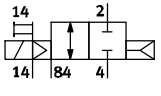
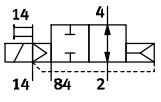
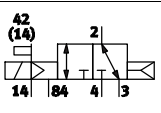
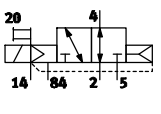
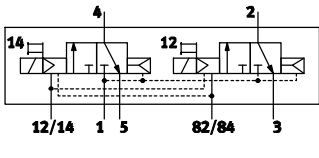
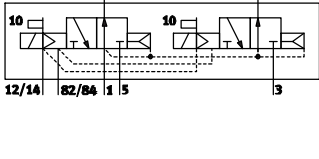
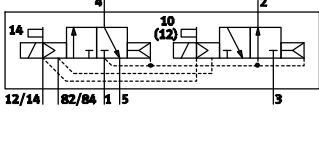
before shipment. The exhaust air from the pilot solenoid coils of the valves is collected and drawn off via the pressure

compensation hole (venting hole) on the rear side.

 - Note
All ports and mounting holes that are not required must be sealed with blanking plugs. Exception: venting hole

Solenoid valves CDSV, Clean Design

Key features – Pneumatic components

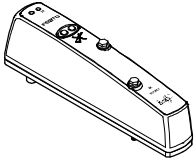
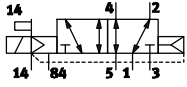
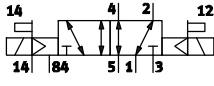
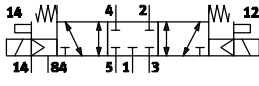
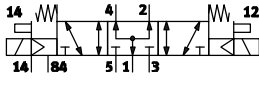
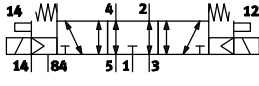
Valves			
	Code	Circuit symbol	Description
	R		2/2-way valve, single solenoid <ul style="list-style-type: none"> • Normally closed • Pneumatic spring return • Suitable for vacuum • External supply air
	S		2/2-way valve, single solenoid <ul style="list-style-type: none"> • Normally open • Pneumatic spring return • Suitable for vacuum • External supply air
	X		3/2-way valve, single solenoid <ul style="list-style-type: none"> • Normally closed • Pneumatic spring return • Suitable for vacuum • External supply air
	W		3/2-way valve, single solenoid <ul style="list-style-type: none"> • Normally open • Pneumatic spring return • Suitable for vacuum • External supply air
	K		2x 3/2-way valve, single solenoid <ul style="list-style-type: none"> • Normally closed • Pneumatic spring return • Not suitable for vacuum
	N		2x 3/2-way valve, single solenoid <ul style="list-style-type: none"> • Normally open • Pneumatic spring return • Not suitable for vacuum
	H		2x 3/2-way valve, single solenoid <ul style="list-style-type: none"> • 1x normally closed, 1x normally open • Pneumatic spring return • Not suitable for vacuum

-  - Note

A filter must be installed upstream of valves operated in vacuum mode. This prevents any foreign matter in the intake air getting into the valve (e.g. when operating a suction cup).

Solenoid valves CDSV, Clean Design

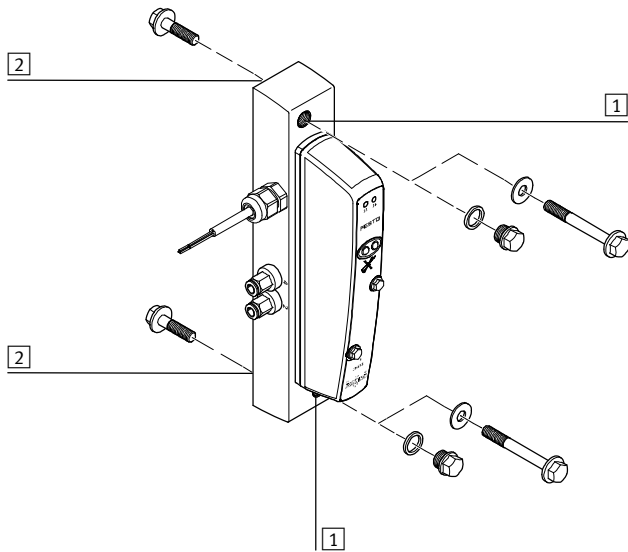
Key features – Pneumatic components

Valves and cover		Code	Circuit symbol	Description
	M		5/2-way valve, single solenoid <ul style="list-style-type: none"> • Pneumatic spring return • Suitable for vacuum 	
	J		5/2-way valve, double solenoid <ul style="list-style-type: none"> • Suitable for vacuum 	
	G		5/3-way valve <ul style="list-style-type: none"> • Mid-position closed • Mechanical spring return • The piston-rod side of a cylinder remains held under pressure when the valve is in the normal position • Suitable for vacuum 	
	B		5/3-way valve <ul style="list-style-type: none"> • Mid-position pressurised • Mechanical spring return • The piston rod of a connected cylinder advances when the valve is in the normal position due to the different surface areas of the piston • Suitable for vacuum 	
	E		5/3-way valve <ul style="list-style-type: none"> • Mid-position exhausted • Mechanical spring return • The piston rod can be moved freely in the normal valve position • Suitable for vacuum 	

Solenoid valves CDSV, Clean Design

Key features – Pneumatic components

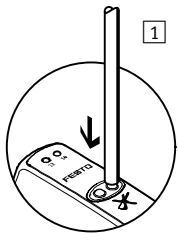
Assembly



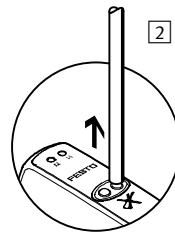
- 1 Hole for front mounting using M6 screws; if not required, the hole can be covered with blanking plug G $\frac{1}{8}$
- 2 Hole for rear mounting using M6 screws

Manual override (MO)

MO with automatic return (non-detenting)

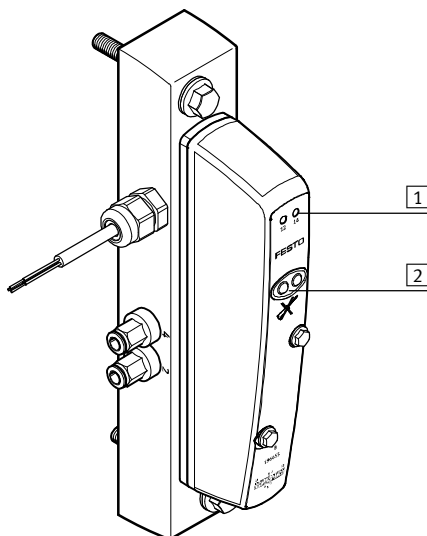


- 1 Press in the stem of the manual override with a pointed object. Valve is in switching position.



- 2 Remove the pointed object. The mechanical force pushes the stem of the manual override back. The valve returns to its normal position (not in the case of 5/2-way double solenoid valve, code J).

Display and control elements

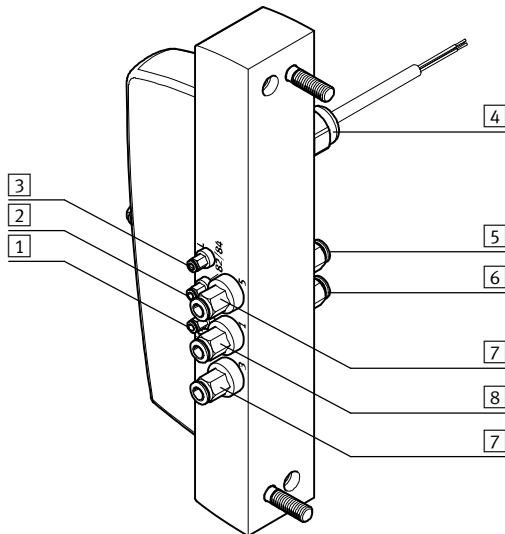


- 1 Yellow LEDs (one per solenoid coil)
- 2 Non-detenting manual override (per solenoid coil)

Solenoid valves CDSV, Clean Design

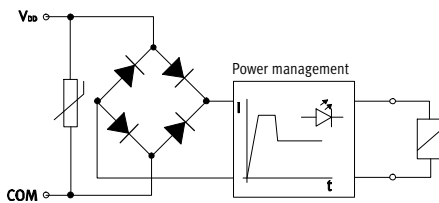
Key features – Pneumatic components

Connecting components



- 1 Pilot air supply port 12/14
- 2 Pilot exhaust port 82/84
- 3 Pressure compensation port/
venting hole
- 4 Electrical connection
- 5 Working port 4
- 6 Working port 2
- 7 Exhaust port 3/5
- 8 Supply port 1

Electrical power as a result of current reduction



Each solenoid coil is protected with a spark arresting protective circuit as well as against polarity reversal. All valve types are also equipped with

integrated current reduction. Advantages:

- Lower power consumption
- Lower temperature rise


Terminal allocation – Cable for individual sub-base

Wire colour	Allocation
Brown	Solenoid coil 14
Black	Solenoid coil 12 (not on 5/2-way single solenoid valve)
Blue	com ¹⁾

1) 0 V for positive switching valves; 24 V can be connected for negative switching control signals

Solenoid valves CDSV, Clean Design

Technical data

-  - Flow rate
300 ... 650 l/min

-  - Valve width
24 mm



General technical data														
Valve function code	R	S	X	W	K	N	H	M	J	G	B	E		
Valve function	2/2-way solenoid valve		3/2-way solenoid valve		2x 3/2-way solenoid valve			5/2-way solenoid valve		5/3-way solenoid valve				
Reset method	Pneumatic spring		Pneumatic spring		Pneumatic spring			Pneumatic spring		Mechanical spring				
Direction of flow	Reversible		Reversible		Non-reversible			Reversible		Reversible				
Exhaust function	With flow control		With flow control		No flow control			With flow control		With flow control				
b value	0.34		0.34		0.14			0.38		0.5		0.37		0.5
C value [l/sbar]	2.05		2.05		1.4			2.75		2.55		3.2		1.54
Standard nominal flow rate [l/min]	500	300	500		300			650		650	650		400	
Note on forced checking procedure	Switching frequency at least 1/month													
Design	Piston spool valve													
Type of actuation	Electrical													
Sealing principle	Soft													
Width [mm]	24													
Nominal width [mm]	5													
Tightening torque of valve/ blanking plate [Nm]	0.8													
Mounting position	Any													
Manual override	Non-detenting													
Type of mounting														
Valves	With 2 screws (DIN 6921)													
Individual sub-base	With 2 screws M6x40 (mounting from the front) With 2 screws M6x18 (mounting from the rear)													
Pneumatic connections														
Supply port	1	G $\frac{1}{8}$												
Exhaust port	3/5	G $\frac{1}{8}$												
Working ports	2/4	G $\frac{1}{8}$												
Pilot air supply port	12/14	M5												
Pilot exhaust air port	82/84	M5												
Pressure compensation port	M5													

Valve switching times [ms]													
Valve function code	R	S	X	W	K	N	H	M	J	G	B	E	
Switching times	On	10	10	10	10	10	10	10	12	-	12	12	12
	Off	14	14	14	14	22	22	22	22	-	25	25	25
	Change-over	-	-	-	-	-	-	-	-	10	17	17	17

Solenoid valves CDSV, Clean Design

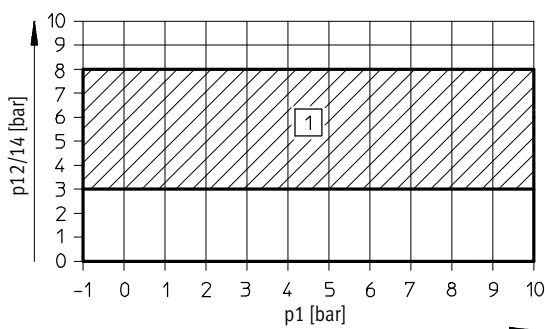
Technical data

Operating and environmental conditions												
Valve function code	R	S	X	W	K	N	H	M	J	G	B	E
Operating medium	Compressed air to ISO 8573-1:2010 [7:4:4]											
Note on operating/pilot medium	Lubricated operation possible (in which case lubricated operation will always be required)											
Operating pressure [bar]	-0.9 ... +10				3 ... 10 ¹⁾				-0.9 ... +10			
Pilot pressure [bar]	3 ... 8											
Ambient temperature [°C]	-5 ... +50											
Temperature of medium [°C]	-5 ... +50											
Corrosion resistance class CRC ²⁾	3											
CE marking (see declaration of conformity)	To EU EMC Directive ³⁾											
Based on standard	EN 1672-2 (food processing machines, general design principles)											
	ISO 14159 (machine safety – hygiene requirements for machinery design)											
Approval certificate	C-Tick											

- 1) 2x 3/2-way valves are not suitable for vacuum
- 2) Corrosion resistance class 3 according to Festo standard 940 070
Components subject to high corrosion stress. Externally visible parts with primarily functional surface requirements which are in direct contact with a normal industrial environment or media such as solvents and cleaning agents.
- 3) For information about the applicability of the component see the manufacturer's EC declaration of conformity at: www.festo.com/sp → User documentation.
If the component is subject to restrictions on usage in residential, office or commercial environments or small businesses, further measures to reduce the emitted interference may be necessary.

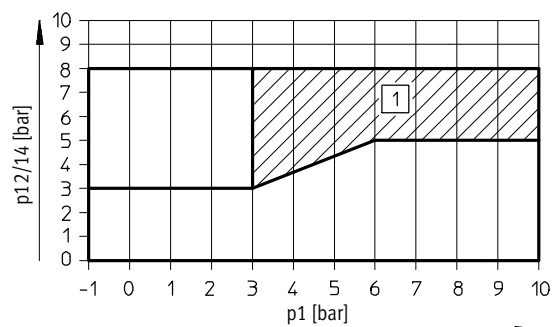
Pilot pressure with external pilot air supply

Switch-on pilot pressure of 5/2-way and 5/3-way valves and 3/2-way valves with external air supply (EXT)



1) Permissible pressure range

Switch-on pilot pressure of 3/2-way valves



1) Permissible pressure range

Solenoid valves CDSV, Clean Design

Technical data

Electrical data	
Electromagnetic compatibility	Interference immunity tested to EN 61000-6-2
Nominal operating voltage [V DC]	24, reverse polarity protected
Permissible voltage fluctuations [%]	±10
Residual ripple [Vss]	4
Starting current consumption • Per solenoid coil at 24 V [mA] (with LEDs)	Typ. 120
Current consumption during operation • Per solenoid coil at 24 V [mA] (with LEDs)	Min. 26
Electrical power consumption per solenoid coil (with LED) [W]	3.1
Duty cycle ED	100%
Degree of protection to EN 60529	IP65, IP66, IP67, NEMA 4 (fully assembled)

Materials	
Connection block	Aluminium (anodised, at least 20 µm)
Blanking plug	Polybutylene terephthalate (material no.: 1.4303 or 1.4301)
Screws	Polybutylene terephthalate (material no.: 1.4303 or 1.4301)
Valve	Aluminium, polyacetal (POM), polyphenylene sulphide (PPS), polyamide (PA), nitrile rubber (NBR), brass (Ms), steel (St), polycarbonate (PC), polypropylene (PP)
Note on materials	RoHS compliant

Product weight [g]												
Valve function code	R	S	X	W	K	N	H	M	J	G	B	E
Valve	185	185	185	185	210	210	210	195	205	210	210	210
CDSV individual sub-base ¹⁾	690											

1) Individual sub-base, without pneumatic fittings and valve.

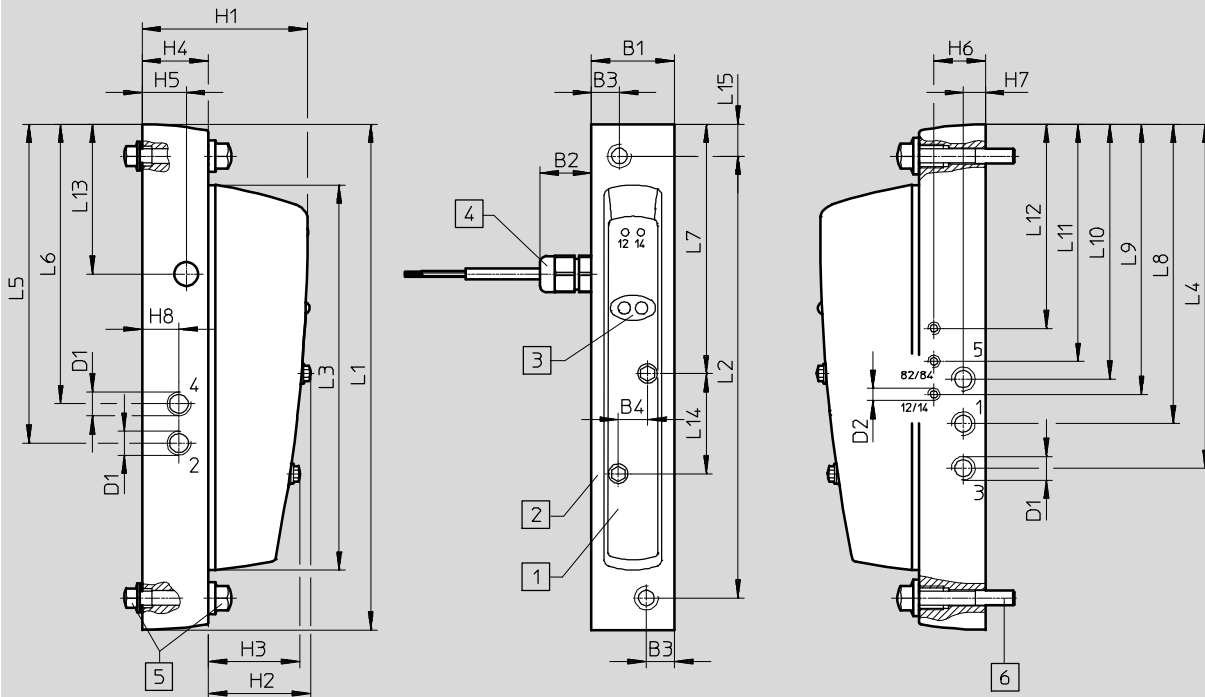
Nominal flow rate [l/min.]												
Valve function code	R	S	X	W	K	N	H	M	J	G	B	E
Pressurised	500	300	500	500	300	300	300	650	650	650	650	400
Exhausted	500	300	500	500	300	300	300	650	650	650	400	650
Mid-position	–	–	–	–	–	–	–	–	–	–	150	150

Solenoid valves CDSV, Clean Design

Technical data

Dimensions

Download CAD data → www.festo.com





- 1 Choice of single solenoid or double solenoid valve
- 2 Sub-base
- 3 Manual override
- 4 Cable connector M20x1.5
- 5 For mounting from below:
2x screw M6x18
2x sealing ring M6
2x blanking plug G1/8
2x sealing ring G1/8
- 6 For mounting from above:
2x screw M6x40
2x sealing ring M6

Type	B1	B2	B3	B4	D1	D2	H1	H2	H3	H4	H5	H6	H7	H8
CDSV	34	21	11.5	12	G1/8	M5	67.6	41.9	37.5	27	18	21	9	15

Type	L1	L2	L3	L4	L5	L6	L7	L8	L9	L10	L11	L12	L13	L14	L15
CDSV	207	181	158	140.9	130.6	114.5	102.1	122.6	110.6	104.4	97.1	83.6	61.4	41	13


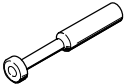

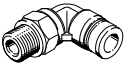
Solenoid valves CDSV, Clean Design

Accessories

Ordering data				
	Code	Description	Part No.	Type
Individual sub-base valve				
	R	2/2-way valve, single solenoid, normally closed, external supply air	556379	CDVI5.0-MT2H-1X2GLS-EXT
	S	2/2-way valve, single solenoid, normally open, external supply air	556380	CDVI5.0-MT2H-1X2OLS-EXT
	X	3/2-way valve, single solenoid, normally closed, external supply air	547013	CDVI5.0-MT2H-1X3GLS-EXT
	W	3/2-way valve, single solenoid, normally open, external supply air	547014	CDVI5.0-MT2H-1X3OLS-EXT
	C	2x 3/2-way valve, single solenoid, normally closed	196661	CDVI5.0-MT2H-2x3GLS
	N	2x 3/2-way valve, single solenoid, normally open	196663	CDVI5.0-MT2H-2x3OLS
	H	2x 3/2-way valve, single solenoid, 1x normally open, 1 x normally closed	196665	CDVI5.0-MT2H-3OLS-3GLS
	M	5/2-way valve, single solenoid	196657	CDVI5.0-MT2H-5LS
	J	5/2-way valve, double solenoid	196659	CDVI5.0-MT2H-5JS
	G	5/3-way valve, mid-position closed	196651	CDVI5.0-MT2H-5/3GS
	B	5/3-way valve, mid-position pressurised	196655	CDVI5.0-MT2H-5/3BS
	E	5/3-way valve, mid-position exhausted	196653	CDVI5.0-MT2H-5/3ES
Sub-base				
	1	Sub-base, individual connection	534434	CDSV5.0-AS-1/8

Solenoid valves CDSV, Clean Design

Accessories

Ordering data					
	Code	Description		Part No.	Type
Blanking plug					
	-	Blanking plug	Connecting thread G $\frac{1}{8}$	196720	CDVI-5.0-B-G$\frac{1}{8}$
Plug					
	-	Blanking plug for tubing O.D.	6 mm	153268	QSC-6H
Push-in fittings (10 pieces)					
	-	Straight, connecting thread M5 for tubing O.D. 4 mm		578334	NPQH-D-M5-Q4-P10
	B	Straight, connecting thread G $\frac{1}{8}$ for tubing O.D. 6 mm		578339	NPQH-D-G18-Q6-P10
	A	Straight, connecting thread G $\frac{1}{8}$ for tubing O.D. 8 mm		578340	NPQH-D-G18-Q8-P10
	-	Angled, connecting thread M5 for tubing O.D. 4 mm		578276	NPQH-L-M5-Q4-P10
	D	Angled, connecting thread G $\frac{1}{8}$ for tubing O.D. 6 mm		578281	NPQH-L-G18-Q6-P10
	C	Angled, connecting thread G $\frac{1}{8}$ for tubing O.D. 8 mm		578282	NPQH-L-G18-Q8-P10

Product Range and Company Overview

A Complete Suite and Company Overview

Our experienced engineers provide complete support at every stage of your development process, including: conceptualization, analysis, engineering, design, assembly, documentation, validation, and production.



Custom Automation Components
Complete custom engineered solutions



Custom Control Cabinets
Comprehensive engineering support and on-site services



Complete Systems
Shipment, stocking and storage services

The Broadest Range of Automation Components

With a comprehensive line of more than 30,000 automation components, Festo is capable of solving the most complex automation requirements.



Electromechanical
Electromechanical actuators, motors, controllers & drivers



Pneumatics
Pneumatic linear and rotary actuators, valves, and air supply



PLCs and I/O Devices
PLC's, operator interfaces, sensors and I/O devices

Supporting Advanced Automation... As No One Else Can!

Festo is a leading global manufacturer of pneumatic and electromechanical systems, components and controls for industrial automation, with more than 16,000 employees in 60 national headquarters serving more than 180 countries. For more than 80 years, Festo has continuously elevated the state of manufacturing with innovations and optimized motion control solutions that deliver higher performing, more profitable automated manufacturing and processing equipment. Our dedication to the advancement of automation extends beyond technology to the education and development of current and future automation and robotics designers with simulation tools, teaching programs, and on-site services.

Quality Assurance, ISO 9001 and ISO 14001 Certifications

Festo Corporation is committed to supply all Festo products and services that will meet or exceed our customers' requirements in product quality, delivery, customer service and satisfaction.

To meet this commitment, we strive to ensure a consistent, integrated, and systematic approach to management that will meet or exceed the requirements of the ISO 9001 standard for Quality Management and the ISO 14001 standard for Environmental Management.



© Copyright 2013, Festo Corporation. While every effort is made to ensure that all dimensions and specifications are correct, Festo cannot guarantee that publications are completely free of any error, in particular typing or printing errors. Accordingly, Festo cannot be held responsible for the same. For Liability and Warranty conditions, refer to our "Terms and Conditions of Sale", available from your local Festo office. All rights reserved. No part of this publication may be reproduced, distributed, or transmitted in any form or by any means, electronic, mechanical, photocopying or otherwise, without the prior written permission of Festo. All technical data subject to change according to technical update.



Printed on recycled paper at New Horizon Graphic, Inc., FSC certified as an environmental friendly printing plant.

Festo North America



**1 Festo Canada
Headquarters
Festo Inc.**
5300 Explorer Drive
Mississauga, ON
L4W 5G4

2 Montréal
5600, Trans-Canada
Pointe-Claire, QC
H9R 1B6

3 Québec City
2930, rue Watt#117
Québec, QC
G1X 4G3



**4 Festo United States
Headquarters
Festo Corporation**
395 Moreland Road
Hauppauge, NY
11788

5 Appleton
North 922 Tower View Drive, Suite N
Greenville, WI
54942

7 Detroit
1441 West Long Lake Road
Troy, MI
48098

6 Chicago
85 W Algonquin - Suite 340
Arlington Heights, IL
60005

8 Silicon Valley
4935 Southfront Road, Suite F
Livermore, CA
94550

Festo Regional Contact Center

Canadian Customers

Commercial Support:
Tel: 1 877 GO FESTO (1 877 463 3786)
Fax: 1 877 FX FESTO (1 877 393 3786)
Email: festo.canada@ca.festo.com

Technical Support:

Tel: 1 866 GO FESTO (1 866 463 3786)
Fax: 1 877 FX FESTO (1 877 393 3786)
Email: technical.support@ca.festo.com

USA Customers

Commercial Support:
Tel: 1 800 99 FESTO (1 800 993 3786)
Fax: 1 800 96 FESTO (1 800 963 3786)
Email: customer.service@us.festo.com

Technical Support:

Tel: 1 866 GO FESTO (1 866 463 3786)
Fax: 1 800 96 FESTO (1 800 963 3786)
Email: product.support@us.festo.com