

Signal converters SVE4

FESTO

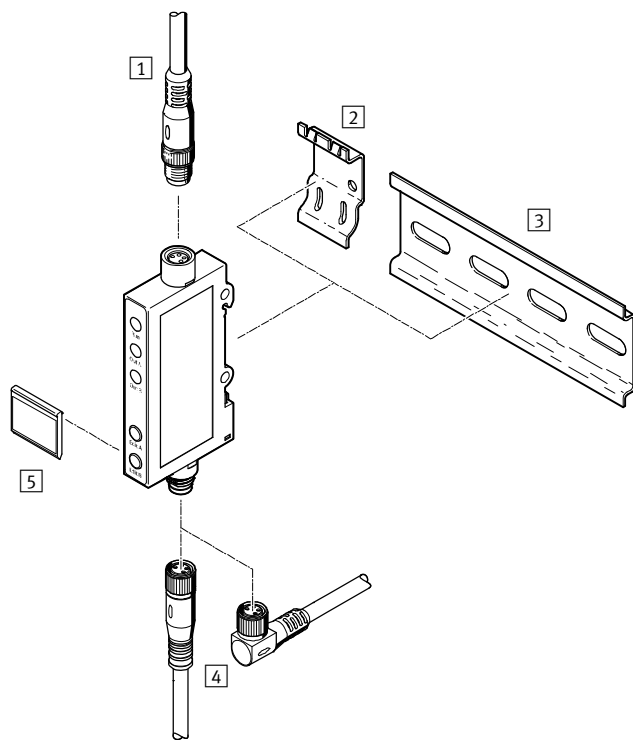


Signal converters SVE4

Product range and peripherals overview

Product range overview						
Type	Signal range	Switching output	Switching function	Electrical connection		→ Page/ Internet
				Input	Output	
SVE4-US	0 ... 10 V	2x PNP 2x NPN	Freely programmable	Socket M8x1, 4-pin, to EN 60947-5-2	Plug M8x1, 4-pin, to EN 60947-5-2	4
SVE4-IS	0 ... 20 mA					
SVE4-HS	Adapted for position sensors SMH-S1-HG					

Overview of peripherals



Mounting attachments and accessories		→ Page/ Internet
1	Connecting cable for signal input NEBU	7
2	Adapter plate SXE3-W	7
3	Mounting rail to DIN EN 60715 NRH-35-2000	7
4	Connecting cable for switching output NEBU	7
5	Inscription label holder SXE3 (included in the scope of delivery)	-

Signal converters SVE4

Type codes

SVE4 - US - R - H M8 - 2P - M8

Type

SVE4	Signal converter
------	------------------

Signal range

US	0 ... 10 V
IS	0 ... 20 mA
HS	Adapted for position sensors SMH-S1-HG

Display and operation

R	Switching status display via LED, teach-in buttons
---	--

Mounting

H	H-rail mounting
---	-----------------

Electrical connection (signal input)

M8	Socket M8x1, 4-pin
----	--------------------

Switching output

2P	2x PNP
2N	2x NPN

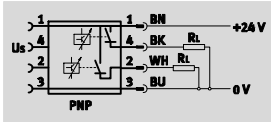
Electrical connection (switching output)

M8	Plug M8x1, 4-pin
----	------------------

Signal converters SVE4

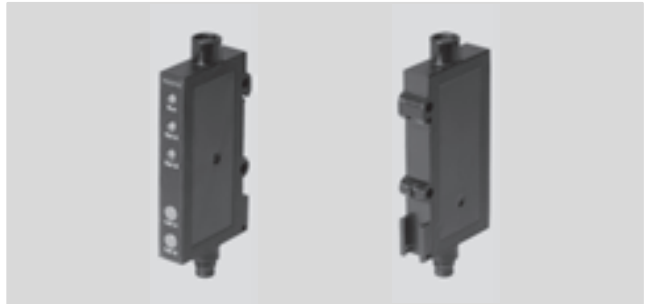
Technical data

Function



E.g. with switching output 2x PNP and signal range 0 ... 10 V

- Switching function freely programmable
- Choice of switching functions (NO/NC)
- Switching points can be taught in
- Mounting via H-rail or adapter plate



General technical data	
Certification	cULus listed (OL) C-Tick
UL temperature rating [°C]	-20 ... +60
CE mark (see declaration of conformity) ¹⁾	To EU EMC Directive
Note on materials	Free of copper and PTFE

1) For information about the applicability of the component see the manufacturer's EC declaration of conformity at: www.festo.com/sp → User documentation.
If the component is subject to restrictions on usage in residential, office or commercial environments or small businesses, further measures to reduce the emitted interference may be necessary.

Input signal/measuring element			
Type	SVE4-US	SVE4-IS	SVE4-HS
Signal range	0 ... 10 ± 0.3 V	0 ... 20 ± 0.6 mA	Adapted for position sensors SMH-S1-HG
Ambient temperature [°C]	-20 ... +70		

Switching output	
Switching output	2x PNP 2x NPN
Switching function	Freely programmable
Switching element function	Switchable

Output, additional data	
Protection against short circuit	Pulsed
Protection against overloading	Yes

Electronic components			
Type	SVE4-US	SVE4-IS	SVE4-HS
Operating voltage range [V DC]	10 ... 30		
Reverse polarity protection	For all electrical connections		For operating voltage and switching outputs

Electromechanical components	
Electrical connection, input	Socket M8x1, 4-pin, to EN 60947-5-2
Electrical connection, output	Plug M8x1, 4-pin, to EN 60947-5-2

Mechanical components	
Product weight [g]	19
Information on housing materials	ABS

Signal converters SVE4

Technical data

Display/operation	
Setting options	Teach-in

Immissions/emissions	
Protection class	IP65
Corrosion resistance class CRC ¹⁾	2

1) Corrosion resistance class 2 according to Festo standard 940 070
 Components subject to moderate corrosion stress. Externally visible parts with primarily decorative surface requirements which are in direct contact with a normal industrial environment or media such as coolants or lubricating agents.

Signal range 0 ... 10 V¹⁾

Switching output 2x PNP	Switching output 2x NPN	Pin allocation for input	Pin allocation for output

Signal range 0 ... 20 mA¹⁾

Switching output 2x PNP	Switching output 2x NPN	Pin allocation for input	Pin allocation for output

Signal range adapted for position sensors SMH-S1-HG...¹⁾

Switching output 2x PNP	Switching output 2x NPN	Pin allocation for input	Pin allocation for output

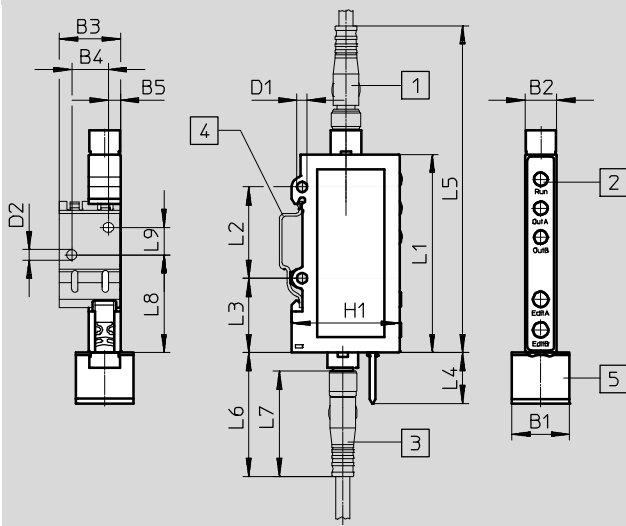
1) Core colours indicated apply when using plug sockets with cable NEBU-M8 or SIM-M8

Signal converters SVE4

Technical data

Dimensions

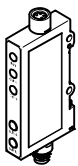
Download CAD data → www.festo.com



- 1 Plug M8x1, 4-pin
- 2 LED display
- 3 Socket M8x1, 4-pin
- 4 Adapter plate for wall mounting
- 5 Inscription label holder

Type	B1	B2	B3	B4	B5	D1 ∅	D2 ∅	H1	L1	L2	L3	L4	L5	L6	L7	L8	L9
SVE...	20	10.4	20	12	4	3.4	3.4	35.4	65	30	24.3	17	108	40.7	34.6	32	9


Ordering data

Version	Signal range	Switching output PNP		Switching output NPN	
		Part No.	Type	Part No.	Type
	0 ... 10 ± 0.3 V	544217	SVE4-US-R-HM8-2P-M8	544220	SVE4-US-R-HM8-2N-M8
	0 ... 20 ± 0.6 mA	544218	SVE4-IS-R-HM8-2P-M8	544221	SVE4-IS-R-HM8-2N-M8
	Adapted for position sensors SMH-S1-HG	544216	SVE4-HS-R-HM8-2P-M8	544219	SVE4-HS-R-HM8-2N-M8



Signal converters SVE4


Accessories

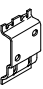

FESTO

Ordering data – Connecting cables for signal input				
				Technical data → Internet: nebu
	Number of wires	Cable length [m]	Part No.	Type
M8x1, straight plug				
	4	2.5	554033	NEBU-M12G5-E-2.5-W3-M8G4-V2 ¹⁾
			554034	NEBU-M12G5-E-2.5-W2-M8G4-V1 ²⁾
			554035	NEBU-M8G4-K-2.5-M8G4 ³⁾
			554036	NEBU-M12G5-K-2.5-M8G4 ⁴⁾
			554037	NEBU-M8G3-K-2.5-M8G4 ⁴⁾

- 1) For connecting signal converter SVE4-US to pressure transmitter SPTW...-VD-M12.
- 2) For connecting signal converter SVE4-IS to pressure transmitter SPTW...-A-M12.
- 3) For connecting to position transmitter SMAT-8M.
- 4) For connecting to proximity sensor SIEA.

Ordering data – Connecting cables for switching output				
				Technical data → Internet: nebu
	Number of wires	Cable length [m]	Part No.	Type
M8x1, straight socket				
	4	2.5	541342	NEBU-M8G4-K-2.5-LE4
		5	541343	NEBU-M8G4-K-5-LE4
M8x1, angled socket				
	4	2.5	541344	NEBU-M8W4-K-2.5-LE4
		5	541345	NEBU-M8W4-K-5-LE4

 Note
 User-friendly configurator for easy selection of connecting cables NEBU
 → www.festo.com/catalogue

Ordering data		
	Part No.	Type
Adapter plate		
	540214	SXE3-W
Mounting rail		
	35430	NRH-35-2000

Product Range and Company Overview

A Complete Suite and Company Overview

Our experienced engineers provide complete support at every stage of your development process, including: conceptualization, analysis, engineering, design, assembly, documentation, validation, and production.



Custom Automation Components
Complete custom engineered solutions



Custom Control Cabinets
Comprehensive engineering support and on-site services



Complete Systems
Shipment, stocking and storage services

The Broadest Range of Automation Components

With a comprehensive line of more than 30,000 automation components, Festo is capable of solving the most complex automation requirements.



Electromechanical
Electromechanical actuators, motors, controllers & drivers



Pneumatics
Pneumatic linear and rotary actuators, valves, and air supply



PLCs and I/O Devices
PLC's, operator interfaces, sensors and I/O devices

Supporting Advanced Automation... As No One Else Can!

Festo is a leading global manufacturer of pneumatic and electromechanical systems, components and controls for industrial automation, with more than 16,000 employees in 60 national headquarters serving more than 180 countries. For more than 80 years, Festo has continuously elevated the state of manufacturing with innovations and optimized motion control solutions that deliver higher performing, more profitable automated manufacturing and processing equipment. Our dedication to the advancement of automation extends beyond technology to the education and development of current and future automation and robotics designers with simulation tools, teaching programs, and on-site services.

Quality Assurance, ISO 9001 and ISO 14001 Certifications

Festo Corporation is committed to supply all Festo products and services that will meet or exceed our customers' requirements in product quality, delivery, customer service and satisfaction.

To meet this commitment, we strive to ensure a consistent, integrated, and systematic approach to management that will meet or exceed the requirements of the ISO 9001 standard for Quality Management and the ISO 14001 standard for Environmental Management.



© Copyright 2013, Festo Corporation. While every effort is made to ensure that all dimensions and specifications are correct, Festo cannot guarantee that publications are completely free of any error, in particular typing or printing errors. Accordingly, Festo cannot be held responsible for the same. For Liability and Warranty conditions, refer to our "Terms and Conditions of Sale", available from your local Festo office. All rights reserved. No part of this publication may be reproduced, distributed, or transmitted in any form or by any means, electronic, mechanical, photocopying or otherwise, without the prior written permission of Festo. All technical data subject to change according to technical update.



Printed on recycled paper at New Horizon Graphic, Inc., FSC certified as an environmental friendly printing plant.

Festo North America



**1 Festo Canada
Headquarters
Festo Inc.**
5300 Explorer Drive
Mississauga, ON
L4W 5G4

2 Montréal
5600, Trans-Canada
Pointe-Claire, QC
H9R 1B6

3 Québec City
2930, rue Watt#117
Québec, QC
G1X 4G3



**4 Festo United States
Headquarters
Festo Corporation**
395 Moreland Road
Hauppauge, NY
11788

5 Appleton
North 922 Tower View Drive, Suite N
Greenville, WI
54942

7 Detroit
1441 West Long Lake Road
Troy, MI
48098

6 Chicago
85 W Algonquin - Suite 340
Arlington Heights, IL
60005

8 Silicon Valley
4935 Southfront Road, Suite F
Livermore, CA
94550

Festo Regional Contact Center

Canadian Customers

Commercial Support:
Tel: 1 877 GO FESTO (1 877 463 3786)
Fax: 1 877 FX FESTO (1 877 393 3786)
Email: festo.canada@ca.festo.com

Technical Support:

Tel: 1 866 GO FESTO (1 866 463 3786)
Fax: 1 877 FX FESTO (1 877 393 3786)
Email: technical.support@ca.festo.com

USA Customers

Commercial Support:
Tel: 1 800 99 FESTO (1 800 993 3786)
Fax: 1 800 96 FESTO (1 800 963 3786)
Email: customer.service@us.festo.com

Technical Support:

Tel: 1 866 GO FESTO (1 866 463 3786)
Fax: 1 800 96 FESTO (1 800 963 3786)
Email: product.support@us.festo.com