

Pressure transmitters SPTW

FESTO



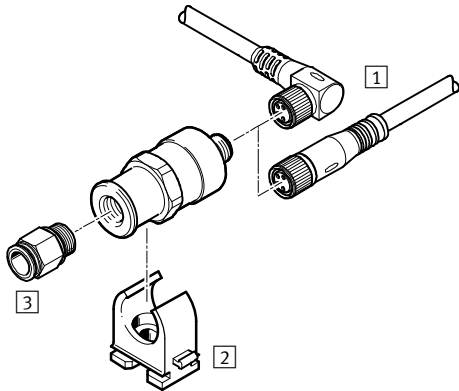
Pressure transmitters SPTW

Product range overview

Method of measurement	Pressure measuring range [bar]	Measured variable	Pneumatic connection	Operating voltage [V DC]	Electrical connection
Piezoresistive pressure sensor	-1 ... +1	Relative pressure	G $\frac{1}{4}$	8 ... 30	Plug M12x1, 4-pin, to EN 60947-5-2, round design
	0 ... 2				
	0 ... 6				
Thin-film metal pressure sensor	0 ... 10	Relative pressure	G $\frac{1}{4}$	8 ... 30	Plug M12x1, 4-pin, to EN 60947-5-2, round design
	-1 ... +10				
	0 ... 16				
	0 ... 25				
	0 ... 50				
	0 ... 100				

Pressure transmitters SPTW

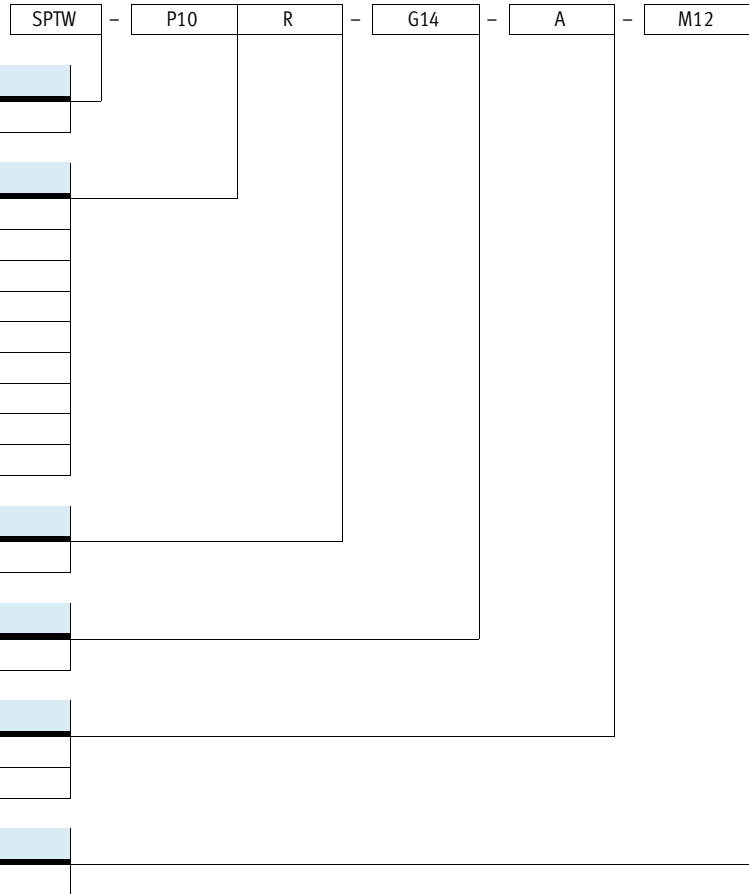
Peripherals overview



Mounting attachments and accessories		→ Page/Internet
1	Connecting cable NEBU-M12	8
2	Pipe clamp (included in the scope of delivery)	-
3	Push-in fitting QS-1/4	8

Pressure transmitters SPTW

Type codes



Function

SPTW	Pressure transmitter
------	----------------------

Pressure measuring range

B2	-1 ... +1 bar
B11	-1 ... +10 bar
P2	0 ... 2 bar
P6	0 ... 6 bar
P10	0 ... 10 bar
P16	0 ... 16 bar
P25	0 ... 25 bar
P50	0 ... 50 bar
P100	0 ... 100 bar

Pressure input

R	Relative pressure
---	-------------------

Pneumatic connection

G14	Female thread G1/4
-----	--------------------

Electrical output

A	4 ... 20 mA
VD	0.1 ... 10 V

Electrical connection

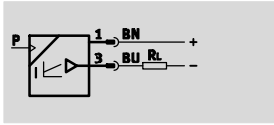
M12	Plug M12x1, 4-pin
-----	-------------------

Pressure transmitters SPTW

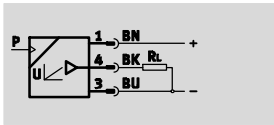
Technical data

Function

SPTW-...-A



SPTW-...-VD



Voltage
8 ... 30 V DC

Pressure
-1 ... +100 bar

Temperature range
0 ... 80 °C



- Pressure and vacuum sensing for gaseous and liquid media
- High media resistance

General technical data	
Certification	cULus listed (OL) C-Tick
CE mark (see declaration of conformity) ¹⁾	To EU EMC Directive
Note on materials	Contains PWIS (paint wetting impairment substances) RoHS-compliant

1) For information about the applicability of the component see the manufacturer's EC declaration of conformity at: www.festo.com/sp → User documentation.
If the component is subject to restrictions on usage in residential, office or commercial environments or small businesses, further measures to reduce the emitted interference may be necessary.

Input signal/measuring element		B2	P2	P6	P10	B11	P16	P25	P50	P100
SPTW-										
Measured variable		Relative pressure								
Method of measurement		Piezoresistive pressure sensor				Thin-film metal pressure sensor				
Pressure measuring range starting value [bar]		-1	0	0	0	-1	0	0	0	0
Pressure measuring range final value [bar]		1	2	6	10	10	16	25	50	100
Overload pressure [bar]		2	4	12	20	20	32	50	100	200
Operating medium		Compressed air in accordance with ISO 8573-1:2010 [-:-:-]								
		Neutral liquids								
		Gaseous media								
Temperature of medium [°C]		0 ... 80								
Ambient temperature [°C]		0 ... 80								

Output, general	
Accuracy ±FS ¹⁾ [%]	1
Repetition accuracy ±FS ¹⁾ [%]	0.1

1) % FS = % of the measuring range (full scale)

Analogue output		A	VD
SPTW-...-			
Analogue output [mA]		4 ... 20	-
		-	0.1 ... 10
Linearity error ±FS ¹⁾ [%]		0.5	

1) % FS = % of the measuring range (full scale)

Pressure transmitters SPTW

Technical data

Output, additional data	
Protection against short circuit	Yes



Electronic components		
SPTW-...-	A	VD
Operating voltage range DC [V]	8 ... 30	14 ... 30
Reverse polarity protection	For operating voltage	

Electromechanical components	
Electrical connection	Plug M12x1, 4-pin
	To EN 60947-5-2
	Round design
Plug housing material	PA

Mechanical components	
Type of mounting	Via female thread
	Via accessories
Mounting position	Any
Pneumatic connection	G $\frac{1}{4}$
Product weight [g]	80
Housing materials	High-alloy stainless steel
	PA
	VMQ (silicone)
Materials in contact with the medium ¹⁾	High-alloy stainless steel

Immissions/emissions	
Protection class	IP67
Corrosion resistance class CRC ²⁾	4

- 1) Group CrNiMo: 316L, from measurement range 10 bar the membrane is composed of 13-8-PH
 2) Corrosion resistance class 4 according to Festo standard 940 070
 Components subject to particularly high corrosion stress. Parts used with aggressive media, e.g. in the food or chemical industry. These applications should be supported with special tests with the media if required.

Pin allocation					
SPTW-...-A			SPTW-...-VD		
Plug M12x1, 4-pin	Pin	Meaning	Plug M12x1, 4-pin	Pin	Meaning
	1	Operating voltage U ₀ /signal +		1	Operating voltage U ₀
	3	0 V/signal -		3	0 V
					4

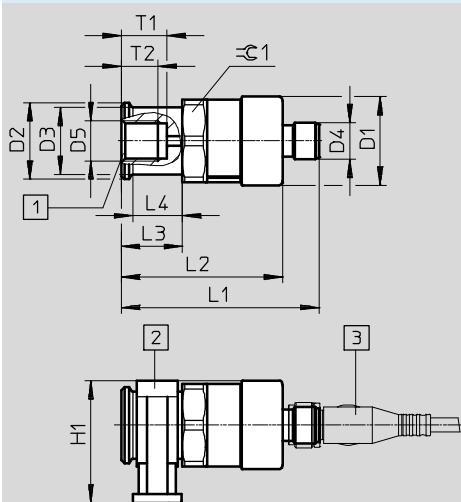
Pressure transmitters SPTW

Technical data

FESTO

Dimensions

Download CAD data → www.festo.com



- 1 Pneumatic connection
- 2 Pipe clamp (included in the scope of delivery)
- 3 Connecting cable

Type	D1 ∅	D2 ∅	D3 ∅	D4	D5	H1	L1	L2	L3	L4	T1	T2	≙
SPTW	29	25	22	M12x1	G $\frac{1}{4}$	40	64.8	52.8	20	16.5	15	12	27




Ordering data

Pressure measuring range [bar]	Analogue output	Pneumatic connection	Electrical connection	Part No.	Type
-1 ... +1	4 ... 20 mA	G $\frac{1}{4}$	Plug M12x1, 4-pin	8000100	SPTW-B2R-G14-A-M12
-1 ... +10				8000101	SPTW-B11R-G14-A-M12
0 ... 2				8000102	SPTW-P2R-G14-A-M12
0 ... 6				8000103	SPTW-P6R-G14-A-M12
0 ... 10				8000104	SPTW-P10R-G14-A-M12
0 ... 16				8000105	SPTW-P16R-G14-A-M12
0 ... 25				8000106	SPTW-P25R-G14-A-M12
0 ... 50				8000107	SPTW-P50R-G14-A-M12
0 ... 100				8000108	SPTW-P100R-G14-A-M12
-1 ... +1				0.1 ... 10 V	G $\frac{1}{4}$
-1 ... +10	8000110	SPTW-B11R-G14-VD-M12			
0 ... 2	8000111	SPTW-P2R-G14-VD-M12			
0 ... 6	8000112	SPTW-P6R-G14-VD-M12			
0 ... 10	8000113	SPTW-P10R-G14-VD-M12			
0 ... 16	8000114	SPTW-P16R-G14-VD-M12			
0 ... 25	8000115	SPTW-P25R-G14-VD-M12			
0 ... 50	8000116	SPTW-P50R-G14-VD-M12			
0 ... 100	8000117	SPTW-P100R-G14-VD-M12			


Pressure transmitters SPTW

Accessories

FESTO

Ordering data – Connecting cables				Technical data → Internet: nebu	
	Number of wires/pins	Cable length [m]	Part No.	Type	
M12x1, straight socket, open end					
	3	2.5	541363	NEBU-M12G5-K-2.5-LE3	
		5	541364	NEBU-M12G5-K-5-LE3	
	4	2.5	550326	NEBU-M12G5-K-2.5-LE4	
		5	541328	NEBU-M12G5-K-5-LE4	
	5	2.5	541330	NEBU-M12G5-K-2.5-LE5	
		5	541331	NEBU-M12G5-K-5-LE5	
M12x1, angled socket, open end					
	3	2.5	541367	NEBU-M12W5-K-2.5-LE3	
		5	541370	NEBU-M12W5-K-5-LE3	
	4	2.5	550325	NEBU-M12W5-K-2.5-LE4	
		5	541329	NEBU-M12W5-K-5-LE4	
Socket M12x1, straight; plug M8x1, straight					
	4	2.5	554034	NEBU-M12G5-E-2.5-W2-M8G4-V1 ¹⁾	
	4		554033	NEBU-M12G5-E-2.5-W3-M8G4-V2 ²⁾	

- 1) Pin allocation designed for connecting the pressure transmitter SPTW...-A-M12 to the signal converter SVE4-IS
- 2) Pin allocation designed for connecting the pressure transmitter SPTW...-VD-M12 to the signal converter SVE4-US

Ordering data – Push-in fittings ¹⁾				Technical data → Internet: quick star	
	For tubing O.D.	Part No.	Type		
	4 mm	190644	QS-1/4-4 ¹⁾		
	6 mm	153003	QS-1/4-6 ¹⁾		
	8 mm	153005	QS-1/4-8 ¹⁾		

- 1) Temperature-dependent operating pressure –0.95 ... 14 bar

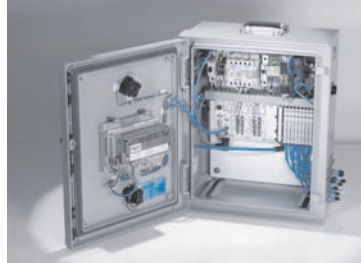
Product Range and Company Overview

A Complete Suite and Company Overview

Our experienced engineers provide complete support at every stage of your development process, including: conceptualization, analysis, engineering, design, assembly, documentation, validation, and production.



Custom Automation Components
Complete custom engineered solutions



Custom Control Cabinets
Comprehensive engineering support and on-site services



Complete Systems
Shipment, stocking and storage services

The Broadest Range of Automation Components

With a comprehensive line of more than 30,000 automation components, Festo is capable of solving the most complex automation requirements.



Electromechanical
Electromechanical actuators, motors, controllers & drivers



Pneumatics
Pneumatic linear and rotary actuators, valves, and air supply



PLCs and I/O Devices
PLC's, operator interfaces, sensors and I/O devices

Supporting Advanced Automation... As No One Else Can!

Festo is a leading global manufacturer of pneumatic and electromechanical systems, components and controls for industrial automation, with more than 16,000 employees in 60 national headquarters serving more than 180 countries. For more than 80 years, Festo has continuously elevated the state of manufacturing with innovations and optimized motion control solutions that deliver higher performing, more profitable automated manufacturing and processing equipment. Our dedication to the advancement of automation extends beyond technology to the education and development of current and future automation and robotics designers with simulation tools, teaching programs, and on-site services.

Quality Assurance, ISO 9001 and ISO 14001 Certifications

Festo Corporation is committed to supply all Festo products and services that will meet or exceed our customers' requirements in product quality, delivery, customer service and satisfaction.

To meet this commitment, we strive to ensure a consistent, integrated, and systematic approach to management that will meet or exceed the requirements of the ISO 9001 standard for Quality Management and the ISO 14001 standard for Environmental Management.

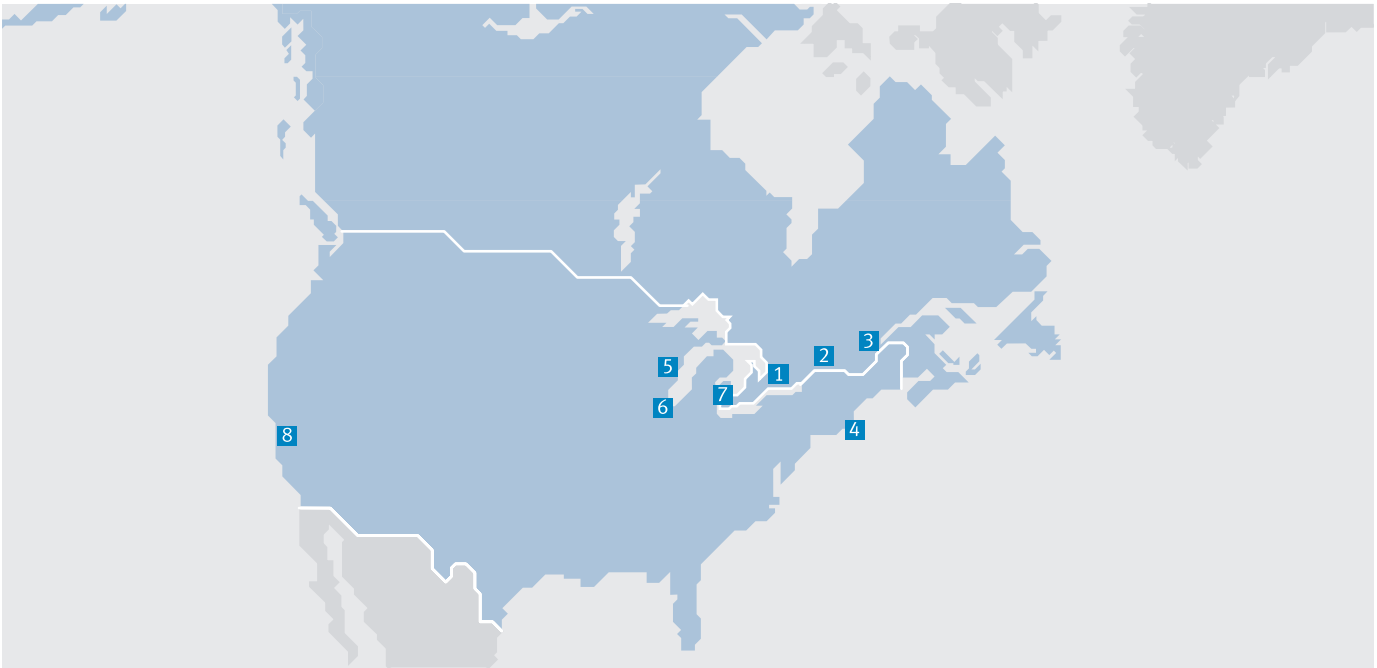


© Copyright 2013, Festo Corporation. While every effort is made to ensure that all dimensions and specifications are correct, Festo cannot guarantee that publications are completely free of any error, in particular typing or printing errors. Accordingly, Festo cannot be held responsible for the same. For Liability and Warranty conditions, refer to our "Terms and Conditions of Sale", available from your local Festo office. All rights reserved. No part of this publication may be reproduced, distributed, or transmitted in any form or by any means, electronic, mechanical, photocopying or otherwise, without the prior written permission of Festo. All technical data subject to change according to technical update.



Printed on recycled paper at New Horizon Graphic, Inc., FSC certified as an environmental friendly printing plant.

Festo North America



**1 Festo Canada
Headquarters
Festo Inc.**
5300 Explorer Drive
Mississauga, ON
L4W 5G4

2 Montréal
5600, Trans-Canada
Pointe-Claire, QC
H9R 1B6

3 Québec City
2930, rue Watt#117
Québec, QC
G1X 4G3



**4 Festo United States
Headquarters
Festo Corporation**
395 Moreland Road
Hauppauge, NY
11788

5 Appleton
North 922 Tower View Drive, Suite N
Greenville, WI
54942

7 Detroit
1441 West Long Lake Road
Troy, MI
48098

6 Chicago
85 W Algonquin - Suite 340
Arlington Heights, IL
60005

8 Silicon Valley
4935 Southfront Road, Suite F
Livermore, CA
94550

Festo Regional Contact Center

Canadian Customers

Commercial Support:
Tel: 1 877 GO FESTO (1 877 463 3786)
Fax: 1 877 FX FESTO (1 877 393 3786)
Email: festo.canada@ca.festo.com

Technical Support:
Tel: 1 866 GO FESTO (1 866 463 3786)
Fax: 1 877 FX FESTO (1 877 393 3786)
Email: technical.support@ca.festo.com

USA Customers

Commercial Support:
Tel: 1 800 99 FESTO (1 800 993 3786)
Fax: 1 800 96 FESTO (1 800 963 3786)
Email: customer.service@us.festo.com

Technical Support:
Tel: 1 866 GO FESTO (1 866 463 3786)
Fax: 1 800 96 FESTO (1 800 963 3786)
Email: product.support@us.festo.com