

Pressure sensors SPAB, with display

FESTO



Pressure sensors SPAB, with display

Key features, product range overview

At a glance

Variants:

- Plug M8x1 with electric adapter SASC
- Plug, square design L1
- Cable version with connecting cable NEBS

Multi-coloured, two-part display

Alphanumeric display

Displayable units:

- bar
- inchH₂O
- inchHg
- kPa
- psi
- mmHg
- kgf/cm²
- MPa



Compact design
30 x 30 mm

Country-specific pressure
supply ports:

- G¹/₈
- R¹/₈
- NPT¹/₈-27
- M5 female thread

Mounting bracket or front panel
mounting, threaded mounting

High ease of use thanks to
intuitive operator prompting

Product description

The pressure sensor SPAB can be used in many industries thanks to its wide range of connection and configuration options and its compact size.

Switching point settings are emphasised via switching status indication and switching of the display value colour.

Main applications

- Pressure/vacuum sensing
- Light assembly
- Wherever there is a need for space-saving pressure measurement with visualisation and limited robustness
- Easy identification of the system status by means of clear, colour-based switching status detection

Key features

- Pressure measuring range -1 ... +1 or 0 ... 10 bar
- Relative pressure measurement
- Pressure supply port G¹/₈, R¹/₈, NPT¹/₈-27 or M5 female thread
- Electrical connection cable, plug M8x1 or plug, square design
- Switching output PNP, NPN
- Analogue output 1 ... 5 V or 4 ... 20 mA, switchable
- Two-part, multi-coloured display
- Copy function (settings can be transferred from one device to another)
- Simple commissioning thanks to intuitive operation
- Compact design 30x30 mm

Pressure sensors SPAB, with display

Key features, product range overview

Mounting options

Front panel mounting



Manifold sub-bases via mounting bracket



Threaded mounting with adapter M8



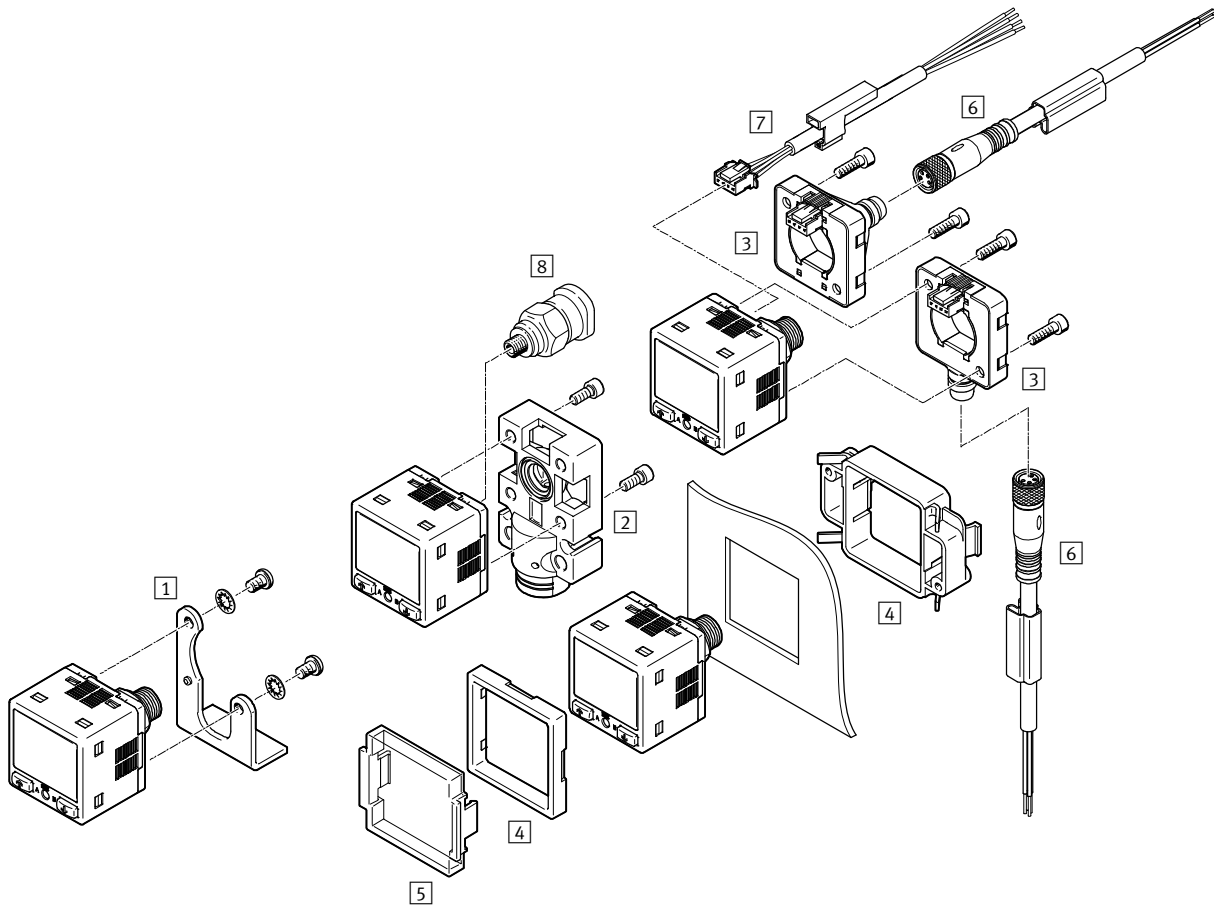
Product range overview

Measurement method	Measured variable	Pressure measuring range [bar]	Switching function	Pneumatic connection		Electrical output	
				Male thread	Female thread	Digital	Analogue
Piezoresistive pressure sensor with display	1x relative pressure	-1 ... +1 or 0 ... 10	Freely programmable	G1/8, R1/8 or NPT1/8-27	M5	1x PNP	1 ... 5 V / 4 ... 20 mA
						2x PNP	-
						1x NPN	1 ... 5 V / 4 ... 20 mA
						2x NPN	-

Pressure sensors SPAB, with display

Peripherals overview

FESTO

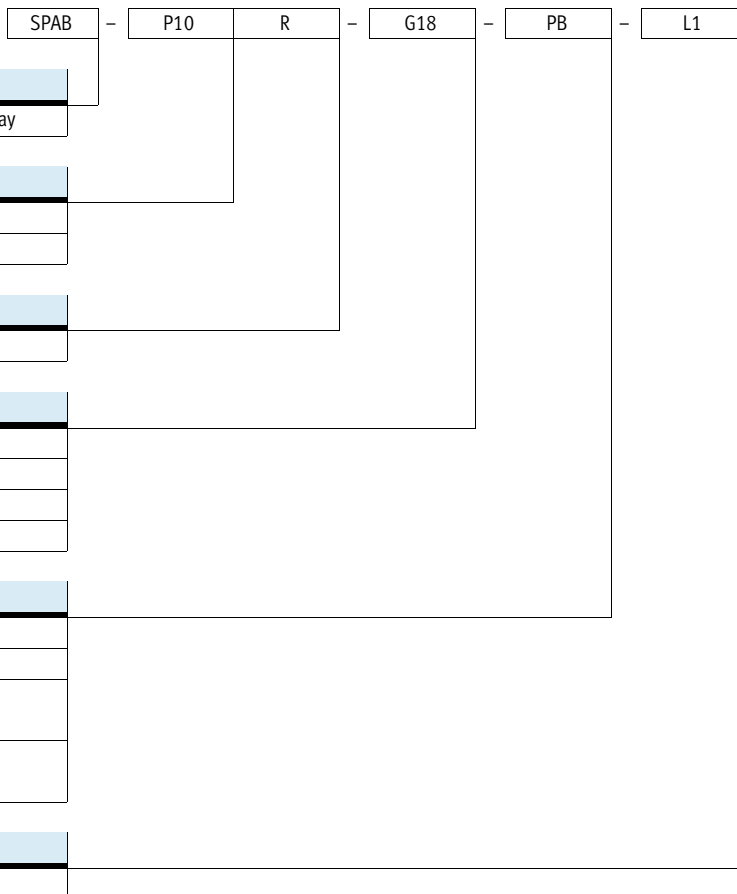


Accessories	→ Page/ Internet
1 Mounting bracket SAMH-...-A	10
2 Adapter plate SASF for pressure sensor SPAB-...-F	13
3 Electric adapter SASC-...-A	11
4 Front panel installation kit SAMH-...-F	10

Accessories	→ Page/ Internet
5 Protective cover SACC	10
6 Connecting cable NEBU-M8	14
7 Connecting cable NEBS-L1G4	14
8 Push-in fitting QSM-M5	14

Pressure sensors SPAB, with display

Type codes



Type

SPAB	Piezoresistive pressure sensor with multi-coloured display
------	--

Pressure measuring range [bar]

B2	-1 ... +1
P10	0 ... 10

Pressure input

R	Relative pressure
---	-------------------

Pneumatic connection

G18	Male thread G $\frac{1}{8}$ and female thread M5
R18	Male thread R $\frac{1}{8}$ and female thread M5
N18	Male thread NPT $\frac{1}{8}$ -27 and female thread M5
F	For adapter plate, female thread M5

Electrical output

2P	2 switching outputs PNP
2N	2 switching outputs NPN
PB	1 switching output PNP 1 analogue output 1 ... 5 V / 4 ... 20 mA
NB	1 switching output NPN 1 analogue output 1 ... 5 V / 4 ... 20 mA

Electrical connection

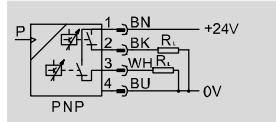
L1	Plug, L1 design
----	-----------------

Pressure sensors SPAB, with display

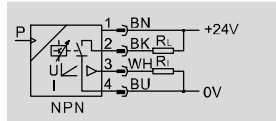
Technical data

Function

E.g. switching output 2x PNP



E.g. switching output NPN, analogue output



Voltage
12 ... 24 V DC

Pressure
-1 ... +10 bar

Temperature range
-10 ... +50 °C



General technical data		
SPAB	-B2	-P10
General information		
Certification	c UL us - Recognized (OL) RCM trademark	
CE mark (see declaration of conformity)	To EU EMC Directive ¹⁾	
Note on materials	Contains PWIS (paint wetting impairment substances) RoHS-compliant	
Input signal/measuring element		
Measured variable	Relative pressure	
Measurement method	Piezoresistive pressure sensor with display	
Pressure measuring range [bar]	-1 ... +1	0 ... 10
Overload capacity [bar]	5	15
Operating medium	Compressed air in accordance with ISO 8573-1:2010 [7:4:4]	
Note on operating/pilot medium	Operation with lubricated medium not possible	
Ambient temperature [°C]	-10 ... +50	

1) For information about the applicability of the component see the manufacturer's EC declaration of conformity at: www.festo.com/sp → User documentation.
If the component is subject to restrictions on usage in residential, office or commercial environments or small businesses, further measures to reduce the emitted interference may be necessary.

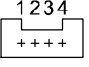
Electrical data								
SPAB	-B2				-P10			
Electrical output	2P	2N	PB	NB	2P	2N	PB	NB
Switching output ¹⁾								
Switching output	2x PNP	2x NPN	PNP	NPN	2x PNP	2x NPN	PNP	NPN
Switching function	Freely programmable							
Switching element function	Switchable							
Accuracy of FS display [%]	1				2			
Reproducibility of switching value [%]	0.1				0.2			
Max. output current [mA]	100							
Analogue output ¹⁾								
Analogue output [V]	-		1 ... 5		-		1 ... 5	
[mA]	-		4 ... 20		-		4 ... 20	
Accuracy of analogue output zero point ±FS [%]	-		5		-		5	
Accuracy of analogue output margin ±FS [%]	-		5		-		5	
Reproducibility of analogue value [%]	-		0.2		-		0.2	
Output, additional data								
Protection against short circuit	Yes							

1) % FS = % of the measuring range final value (full scale)

Pressure sensors SPAB, with display

Technical data

Electrical data								
SPAB	-B2				-P10			
Electrical output	2P	2N	PB	NB	2P	2N	PB	NB
Electronic components								
Operating voltage range DC	[V]	12 ... 24						
Reverse polarity protection	For all electrical connections							
Electromechanical components								
Plug, 4-pin, square design								

Pin allocation SPAB- ... -L1			
Plug, 4-pin			
Square design	Pin	Wire colour	Allocation
	1	Brown	Operating voltage 12 ... 24 V DC
	2	Black	Switching output A
	3	White	Switching output B / analogue output, external
	4	Blue	0 V DC

Mechanical components					
SPAB	-G18		-R18	-N18	-F
Type of mounting	Screw-in			On adapter plate	
	Via accessories			-	
Pneumatic connection	Female thread M5				
	Male thread G $\frac{1}{8}$	Male thread R $\frac{1}{8}$	Male thread NPT $\frac{1}{8}$ -27	-	
Product weight	[g]	45		30	
Housing materials	PBT, reinforced				

Pressure sensors SPAB, with display

Technical data

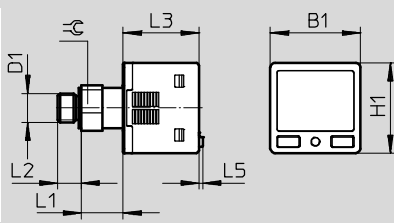
Display/operation		
SPAB	-B2	-P10
Display type	Illuminated LCD, multi-coloured	
Displayable units	bar	bar
	inchH ₂ O	–
	inchHg	–
	kPa	kPa
	psi	psi
	mmHg	–
	kgf/cm ²	kgf/cm ²
	–	MPa
Switching status display	Yellow LCD	
Setting options	Teach-in	
	Via display and keys	
Tamper protection	PIN code	
Threshold value setting range	[%]	0 ... 100
Hysteresis setting range	[%]	0 ... 90

Immissions/emissions	
Protection class	IP40
Corrosion resistance class CRC ¹⁾	2

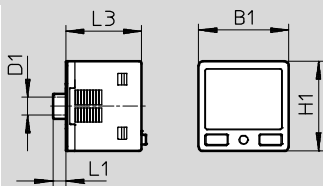
1) Corrosion resistance class CRC 2 to Festo standard FN 940070
 Moderate corrosion stress. Indoor applications in which condensation may occur. External visible parts with primarily decorative requirements for the surface and which are in direct contact with the ambient atmosphere typical for industrial applications.

Dimensions Download CAD data → www.festo.com

SPAB...-L1



SPAB...-F...-L1



Type	B1	D1	D2	H1	H2	H3	L1	L2	L3	L4	L5	≅
SPAB...-G18...-L1	30	G1/8	–	30	–	–	15	7	~25	–	1	14
SPAB...-R18...-L1	30	R1/8	–	30	–	–	14	9.5	~25	–	1	12
SPAB...-N18...-L1	30	NPT1/8	–	30	–	–	14	9.5	~25	–	1	12
SPAB...-F...-L1	30	M5	–	30	–	–	4.4	–	~25	–	–	–

Pressure sensors SPAB, with display

Technical data

Ordering data				
Pressure measuring range [bar]	Electrical output		Part No.	Type
	Digital	Analogue		
Male thread G$\frac{1}{8}$ and female thread M5				
-1 ... +1	1 switching output PNP	1 analogue output 1 ... 5 V / 4 ... 20 mA	8000051	SPAB-B2R-G18-PB-L1
	2 switching outputs PNP	-	8000045	SPAB-B2R-G18-2P-L1
	1 switching output NPN	1 analogue output 1 ... 5 V / 4 ... 20 mA	8000054	SPAB-B2R-G18-NB-L1
	2 switching outputs NPN	-	8000048	SPAB-B2R-G18-2N-L1
0 ... 10	1 switching output PNP	1 analogue output 1 ... 5 V / 4 ... 20 mA	8000063	SPAB-P10R-G18-PB-L1
	2 switching outputs PNP	-	8000057	SPAB-P10R-G18-2P-L1
	1 switching output NPN	1 analogue output 1 ... 5 V / 4 ... 20 mA	8000066	SPAB-P10R-G18-NB-L1
	2 switching outputs NPN	-	8000060	SPAB-P10R-G18-2N-L1
Male thread R$\frac{1}{8}$ and female thread M5				
-1 ... +1	1 switching output PNP	1 analogue output 1 ... 5 V / 4 ... 20 mA	8000052	SPAB-B2R-R18-PB-L1
	2 switching outputs PNP	-	8000046	SPAB-B2R-R18-2P-L1
	1 switching output NPN	1 analogue output 1 ... 5 V / 4 ... 20 mA	8000055	SPAB-B2R-R18-NB-L1
	2 switching outputs NPN	-	8000049	SPAB-B2R-R18-2N-L1
0 ... 10	1 switching output PNP	1 analogue output 1 ... 5 V / 4 ... 20 mA	8000064	SPAB-P10R-R18-PB-L1
	2 switching outputs PNP	-	8000058	SPAB-P10R-R18-2P-L1
	1 switching output NPN	1 analogue output 1 ... 5 V / 4 ... 20 mA	8000067	SPAB-P10R-R18-NB-L1
	2 switching outputs NPN	-	8000061	SPAB-P10R-R18-2N-L1
Male thread NPT$\frac{1}{8}$-27 and female thread M5				
-1 ... +1	1 switching output PNP	1 analogue output 1 ... 5 V / 4 ... 20 mA	8000053	SPAB-B2R-N18-PB-L1
	2 switching outputs PNP	-	8000047	SPAB-B2R-N18-2P-L1
	1 switching output NPN	1 analogue output 1 ... 5 V / 4 ... 20 mA	8000056	SPAB-B2R-N18-NB-L1
	2 switching outputs NPN	-	8000050	SPAB-B2R-N18-2N-L1
0 ... 10	1 switching output PNP	1 analogue output 1 ... 5 V / 4 ... 20 mA	8000065	SPAB-P10R-N18-PB-L1
	2 switching outputs PNP	-	8000059	SPAB-P10R-N18-2P-L1
	1 switching output NPN	1 analogue output 1 ... 5 V / 4 ... 20 mA	8000068	SPAB-P10R-N18-NB-L1
	2 switching outputs NPN	-	8000062	SPAB-P10R-N18-2N-L1
For adapter plate, female thread M5				
-1 ... +1	1 switching output PNP	1 analogue output 1 ... 5 V / 4 ... 20 mA	8000071	SPAB-B2R-F-PB-L1
	2 switching outputs PNP	-	8000069	SPAB-B2R-F-2P-L1
	1 switching output NPN	1 analogue output 1 ... 5 V / 4 ... 20 mA	8000072	SPAB-B2R-F-NB-L1
	2 switching outputs NPN	-	8000070	SPAB-B2R-F-2N-L1
0 ... 10	1 switching output PNP	1 analogue output 1 ... 5 V / 4 ... 20 mA	8000075	SPAB-P10R-F-PB-L1
	2 switching outputs PNP	-	8000073	SPAB-P10R-F-2P-L1
	1 switching output NPN	1 analogue output 1 ... 5 V / 4 ... 20 mA	8000076	SPAB-P10R-F-NB-L1
	2 switching outputs NPN	-	8000074	SPAB-P10R-F-2N-L1

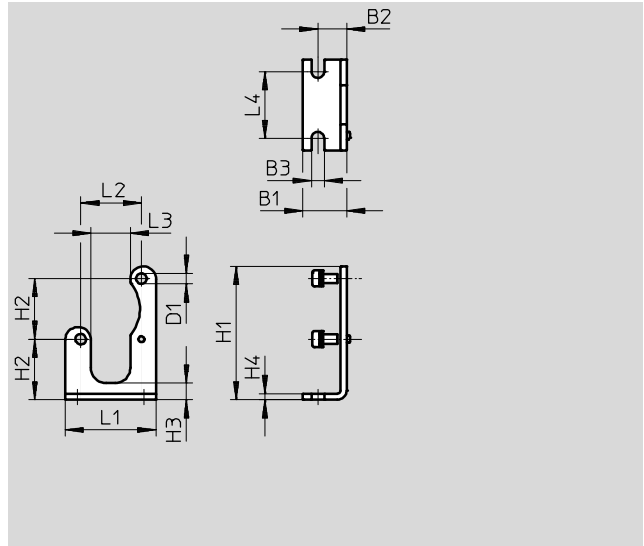
Pressure sensors SPAB, with display

Accessories

Mounting bracket SAMH

Material:
Galvanised chromated steel

Note on materials:
RoHS-compliant



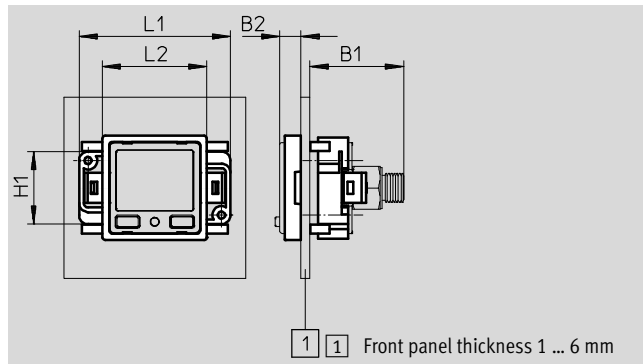
Dimensions and ordering data

B1	B2	B3	D1 Ø	H1	H2	H3	H4	L1	L2	L3	L4	Part No.	Type
14.5	9.5	4.2	3.5	~44	20	5.5	2	30	20	13	22	552376	SAMH-P4-A

Front panel installation kit SAMH

Materials:
PC, POM

Note on materials:
RoHS-compliant



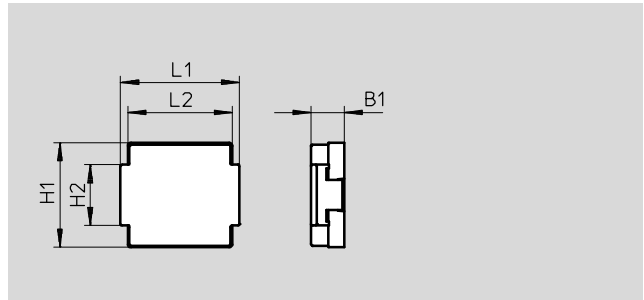
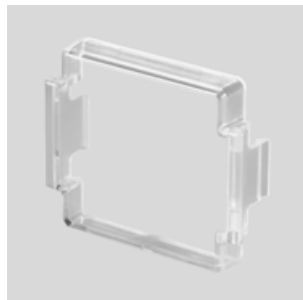
Ordering data

B1	B2	H1	L1	L2	Part No.	Type
~31	7	24	50	34.5	552377	SAMH-P4-F

Protective cover SACC

Material:
PC

Note on materials:
RoHS-compliant



Dimensions and ordering data

B1	H1	H2	L1	L2	Part No.	Type
~28	34.5	20	39.3	34.5	552378	SACC-P4-G

Pressure sensors SPAB, with display

Accessories

Electric adapter SASC

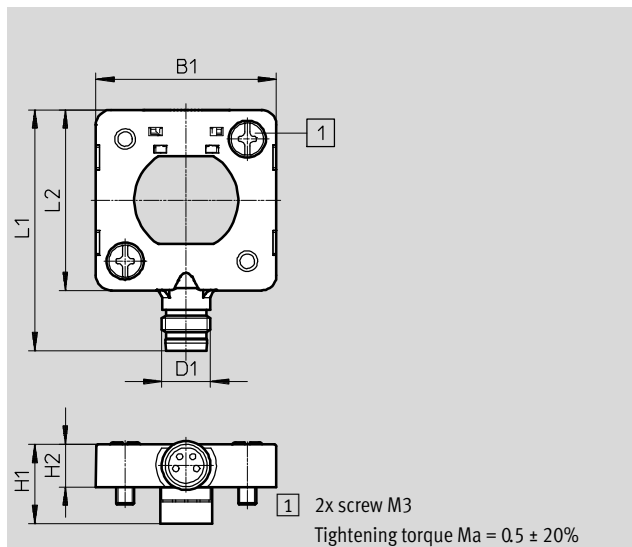
Material:

Housing: PA-reinforced

Plug housing: Nickel plated brass

Note on materials:

RoHS-compliant



Dimensions and ordering data

B1	D1 ∅	H1	H2	L1	L2	CRC ¹⁾	Part No.	Type
29.6	M8x1	13	7	39.5	29.6	2	8000326	SASC-P4-A-M8-A

1) Corrosion resistance class CRC 2 to Festo standard FN 940070

Moderate corrosion stress. Indoor applications in which condensation may occur. External visible parts with primarily decorative requirements for the surface and which are in direct contact with the ambient atmosphere typical for industrial applications.

Pin allocation

Plug, 4-pin, M8x1

Round design	Pin	Allocation
	1	Operating voltage 12 ... 24 V DC
	2	Switching output B / analogue output, external
	4	Switching output A
	3	0 V DC

Pressure sensors SPAB, with display

Accessories

Electric adapter SASC

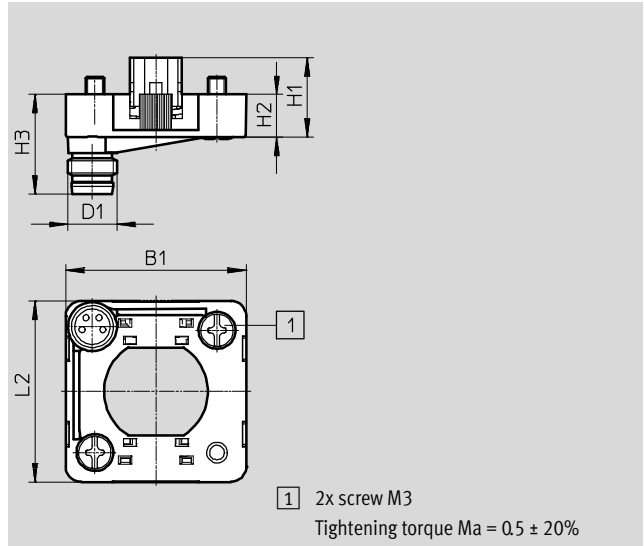
Material:

Housing: PA-reinforced

Plug housing: Nickel plated brass

Note on materials:

RoHS-compliant



Dimensions and ordering data							
B1	D1 ∅	H1	H2	H3	L2	CRC ¹⁾	Part No. Type
29.6	M8x1	13	7	16.3	29.6	2	8000327 SASC-P4-A-M8-S

1) Corrosion resistance class CRC 2 to Festo standard FN 940070
 Moderate corrosion stress. Indoor applications in which condensation may occur. External visible parts with primarily decorative requirements for the surface and which are in direct contact with the ambient atmosphere typical for industrial applications.

Pin allocation		
Plug, 4-pin, M8x1		
Round design	Pin	Allocation
	1	Operating voltage 12 ... 24 V DC
	2	Switching output B / analogue output, external
	3	0 V DC
	4	Switching output A

Pressure sensors SPAB, with display

Accessories

Adapter plate SASF

for pressure sensor SPAB-...-F

Materials:

PBT-reinforced

High-alloy stainless steel

HNBR

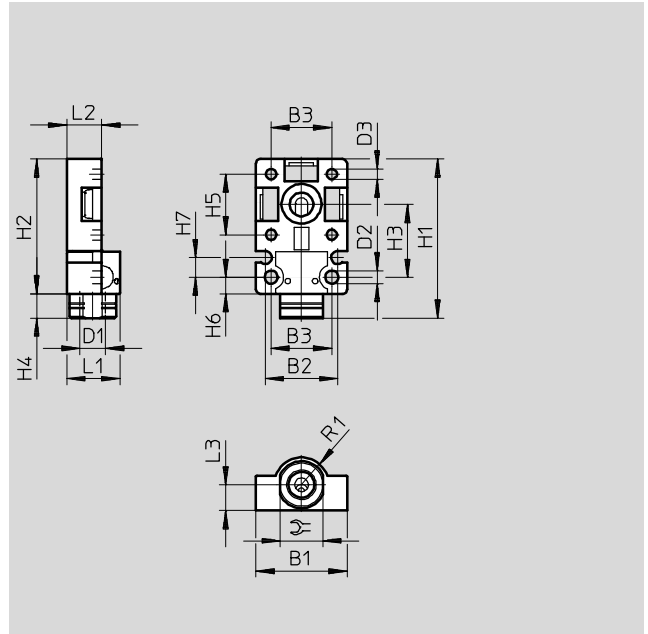
Note on materials:

Contains PWIS (paint wetting impairment substances)

RoHS-compliant



SASF-P4-P-M5



Note

To differentiate the adapter plates R $\frac{1}{8}$, G $\frac{1}{8}$ and NPT $\frac{1}{8}$, they are identified as follows at the pneumatic connection:

- R $\frac{1}{8}$ No line
- NPT $\frac{1}{8}$ One line
- G $\frac{1}{8}$ Two lines

Dimensions and ordering data

B1	B2	B3	D1	D2	D3	H1	H2	H3	H4	H5
30	24	20	R $\frac{1}{8}$	4.3	3.4	52.5	44.5	24	8	20
			G $\frac{1}{8}$							
			NPT $\frac{1}{8}$							
30	24	20	M5	4.3	3.4	-	44.5	24	-	20

H6	H7	L1	L2	L3	R1	☉	CRC ¹⁾	Part No.	Type
5.5	6.5	17.5	11.5	8.5	9	14	2	570801	SASF-P4-P-R18
								570802	SASF-P4-P-G18
								570803	SASF-P4-P-N18
5.5	6.5	17.5	11.5	8.5	9	-		570804	SASF-P4-P-M5

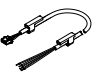

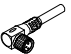
1) Corrosion resistance class CRC 2 to Festo standard FN 940070


Moderate corrosion stress. Indoor applications in which condensation may occur. External visible parts with primarily decorative requirements for the surface and which are in direct contact with the ambient atmosphere typical for industrial applications.

Pressure sensors SPAB, with display

Accessories



Ordering data – Connecting cables					Technical data → Internet: nebu	
	Designation	Number of wires	Cable length [m]	Part No.	Type	
	Socket, rectangular design L1	4	2.5	572576	NEBS-L1G4-K-2.5-LE4	
			5	572577	NEBS-L1G4-K-5-LE4	
	Straight socket, M8x1	4	2.5	541342	NEBU-M8G4-K-2.5-LE4	
			5	541343	NEBU-M8G4-K-5-LE4	
	Angled socket, M8x1	4	2.5	541344	NEBU-M8W4-K-2.5-LE4	
			5	541345	NEBU-M8W4-K-5-LE4	

Ordering data – Push-in fittings				Technical data → Internet: quick star	
	Pneumatic connection	For tubing O.D. [mm]	Part No.	Type	
	M5	4	153304	QSM-M5-4	
		6	153306	QSM-M5-6	

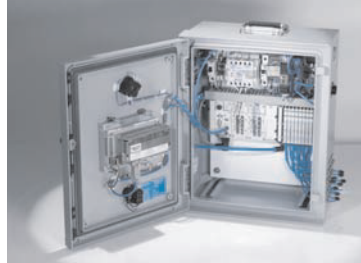
Product Range and Company Overview

A Complete Suite and Company Overview

Our experienced engineers provide complete support at every stage of your development process, including: conceptualization, analysis, engineering, design, assembly, documentation, validation, and production.



Custom Automation Components
Complete custom engineered solutions



Custom Control Cabinets
Comprehensive engineering support and on-site services



Complete Systems
Shipment, stocking and storage services

The Broadest Range of Automation Components

With a comprehensive line of more than 30,000 automation components, Festo is capable of solving the most complex automation requirements.



Electromechanical
Electromechanical actuators, motors, controllers & drivers



Pneumatics
Pneumatic linear and rotary actuators, valves, and air supply



PLCs and I/O Devices
PLC's, operator interfaces, sensors and I/O devices

Supporting Advanced Automation... As No One Else Can!

Festo is a leading global manufacturer of pneumatic and electromechanical systems, components and controls for industrial automation, with more than 16,000 employees in 60 national headquarters serving more than 180 countries. For more than 80 years, Festo has continuously elevated the state of manufacturing with innovations and optimized motion control solutions that deliver higher performing, more profitable automated manufacturing and processing equipment. Our dedication to the advancement of automation extends beyond technology to the education and development of current and future automation and robotics designers with simulation tools, teaching programs, and on-site services.

Quality Assurance, ISO 9001 and ISO 14001 Certifications

Festo Corporation is committed to supply all Festo products and services that will meet or exceed our customers' requirements in product quality, delivery, customer service and satisfaction.

To meet this commitment, we strive to ensure a consistent, integrated, and systematic approach to management that will meet or exceed the requirements of the ISO 9001 standard for Quality Management and the ISO 14001 standard for Environmental Management.

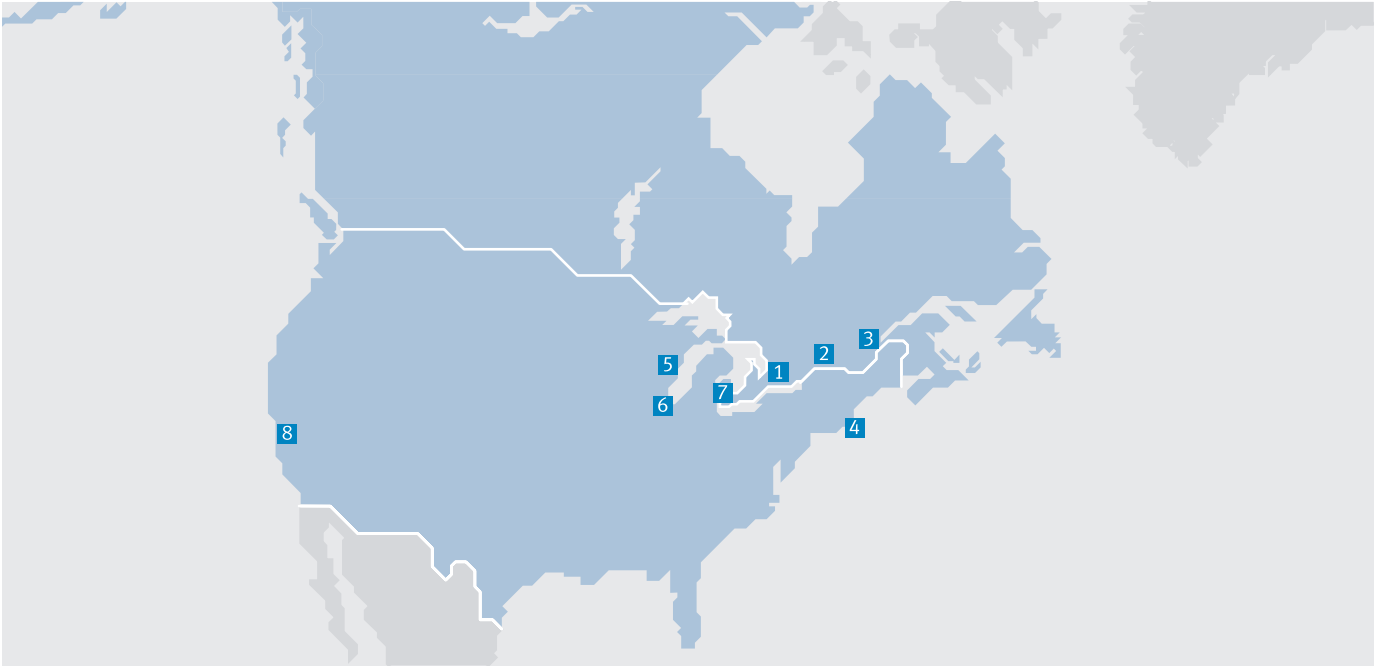


© Copyright 2013, Festo Corporation. While every effort is made to ensure that all dimensions and specifications are correct, Festo cannot guarantee that publications are completely free of any error, in particular typing or printing errors. Accordingly, Festo cannot be held responsible for the same. For Liability and Warranty conditions, refer to our "Terms and Conditions of Sale", available from your local Festo office. All rights reserved. No part of this publication may be reproduced, distributed, or transmitted in any form or by any means, electronic, mechanical, photocopying or otherwise, without the prior written permission of Festo. All technical data subject to change according to technical update.



Printed on recycled paper at New Horizon Graphic, Inc., FSC certified as an environmental friendly printing plant.

Festo North America



**1 Festo Canada
Headquarters
Festo Inc.**
5300 Explorer Drive
Mississauga, ON
L4W 5G4

2 Montréal
5600, Trans-Canada
Pointe-Claire, QC
H9R 1B6

3 Québec City
2930, rue Watt#117
Québec, QC
G1X 4G3



**4 Festo United States
Headquarters
Festo Corporation**
395 Moreland Road
Hauppauge, NY
11788

5 Appleton
North 922 Tower View Drive, Suite N
Greenville, WI
54942

7 Detroit
1441 West Long Lake Road
Troy, MI
48098

6 Chicago
85 W Algonquin - Suite 340
Arlington Heights, IL
60005

8 Silicon Valley
4935 Southfront Road, Suite F
Livermore, CA
94550

Festo Regional Contact Center

Canadian Customers

Commercial Support:
Tel: 1 877 GO FESTO (1 877 463 3786)
Fax: 1 877 FX FESTO (1 877 393 3786)
Email: festo.canada@ca.festo.com

Technical Support:
Tel: 1 866 GO FESTO (1 866 463 3786)
Fax: 1 877 FX FESTO (1 877 393 3786)
Email: technical.support@ca.festo.com

USA Customers

Commercial Support:
Tel: 1 800 99 FESTO (1 800 993 3786)
Fax: 1 800 96 FESTO (1 800 963 3786)
Email: customer.service@us.festo.com

Technical Support:
Tel: 1 866 GO FESTO (1 866 463 3786)
Fax: 1 800 96 FESTO (1 800 963 3786)
Email: product.support@us.festo.com

Subject to change

Internet: www.festo.com/us