

Sensors SOE..., opto-electronic

Product overview



- Diffuse sensors and retro-reflective sensors
- Sensors with background suppression
- Fibre-optic units
- Distance sensors
- Laser contrast sensors, diffuse sensors and retro-reflective sensors
- Colour sensors
- Ranges up to 20 m
- Adjustment using teach-in or potentiometer

Detailed product information

➔ www.festo.com/catalog/soe

Product overview						
Variant	Type	Operating voltage	Switch output	Analogue output	Design	➔ Page/Internet
Diffuse sensor	SOEG-RT Basic version	10 ... 36 V DC 10 ... 30 V DC	PNP NPN	–	Round Block-shaped	3
	SOEG-RTZ With cylindrical light beam		PNP NPN	–	Round	5
Sensor with back-ground suppression	SOEG-RTH	10 ... 36 V DC 10 ... 30 V DC	PNP NPN	–	Round Block-shaped	6
Retro-reflective sensor	SOEG-RSP Basic version	10 ... 36 V DC 10 ... 30 V DC	PNP NPN	–	Round Block-shaped	8
	SOEG-RSG For transparent objects		PNP NPN	–	Block-shaped	10
Through-beam sensor	SOEG-S Transmitter	10 ... 36 V DC 10 ... 30 V DC	–	–	Round Block-shaped	11
	SOEG-E Receiver	10 ... 36 V DC 10 ... 30 V DC	PNP NPN	–	Round Block-shaped	11
Fibre-optic unit	SOEG-L Basic version	10 ... 30 V DC	PNP NPN	–	Block-shaped	13
Distance sensor	SOEG-RTD	15 ... 30 V DC	PNP	0 ... 10 V	Block-shaped	14
Laser diffuse sensor	SOEL-RT Contrast sensor	10 ... 30 V DC	PNP NPN	–	Block-shaped	15
Laser sensor with back-ground suppression	SOEL-RTH		PNP NPN	–	Block-shaped	15
Laser retro-reflective sensor	SOEL-RSP	10 ... 30 V DC	PNP NPN	–	Block-shaped	16
Laser distance sensor	SOEL-RTD	16 ... 30 V DC	2x PNP	4 ... 20 mA	Block-shaped	17
		18 ... 28 V DC	–	0 ... 10 V		
Colour sensor	SOEC-RT	10 ... 30 V DC	3x PNP	–	Block-shaped	18

Sensors SOE..., opto-electronic

Type codes

SOE - G - RSP - Q20 - PP - K - 2L - TI -

Type

SOE	Opto-electronic sensors
-----	-------------------------

Design

G	Standard sensor
L	Laser sensor
C	Colour sensor

Function

RT	Diffuse sensor
RSP	Retro-reflective sensor
S	Through-beam sensor, transmitter
E	Through-beam sensor, receiver
L	Fibre-optic unit
RTH	Sensor with background suppression
RTZ	Diffuse sensor with cylindrical light beam
RTD	Distance sensor
RSG	Retro-reflective sensor for transparent objects

Design, size, version

4	Round, dia. 4 mm
M5	Round, M5
M12	Round, M12
M18	Round, M18, beam exit straight
M18W	Round, M18, beam exit angled
Q20	Block design, 20x32x12 mm
Q30	Block design, 30x30x15 mm
Q50	Block design, 50x50x17 mm

Switch output

PS	PNP, normally open
NS	NPN, normally open
PA	PNP, antivalent
NA	NPN, antivalent
PP	PNP, switchable
NP	NPN, switchable
PU	Analogue 0 ... 10 V

Electrical connection

K	Cable
S	Plug

Indication

L	1 LED
2L	2 LEDs
3L	3 LEDs
7L	7 LEDs

Options

	Standard version
TI	Teach-in by means of a button and via electrical connection

Position measuring range

Diffuse sensors SOEG-RT

Technical data

General technical data							
Size	Ø 4 mm	M5	M12x1	M18x1, straight	M18x1, angled	20x32x12 mm	30x30x15 mm
Working range [mm]	50		70 ... 300	40 ... 600	0 ... 600	10 ... 300	0 ... 600
Light type	Infrared		Red		Red	Infrared	
Setting options	-		Potentiometer		Teach-in Teach-in via electrical connection	Potentiometer	






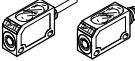
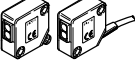
Electrical data							
Size	Ø 4 mm	M5	M12x1	M18x1, straight	M18x1, angled	20x32x12 mm	30x30x15 mm
Electrical connection	Cable	3-wire		4-wire	3-wire	4-wire	3-wire
	Plug	M8x1, 3-pin		M12x1, 3-pin	M12x1, 4-pin	M12x1, 3-pin	M8x1, 4-pin M8x1, 3-pin
Operating voltage range [V DC]	10 ... 30		10 ... 36		10 ... 30		
Max. output current [mA]	100		200		100	200	
Max. switching frequency [Hz]	250		1,000		1,000		
Protection against short circuit	Pulsed						
Protection against polarity reversal	For all electrical connections						
Protection class	IP67		IP65, IP67		IP67	IP65	

Operating and environmental conditions							
Size	Ø 4 mm	M5	M12x1	M18x1, straight	M18x1, angled	20x32x12 mm	30x30x15 mm
Ambient temperature [°C]	0 ... 55		-25 ... +55		-20 ... +60	-25 ... +55	
Ambient temperature with flexible cable installation [°C]	0 ... 55		-5 ... +55		-5 ... +60	-5 ... +55	
CE mark (see declaration of conformity)	In accordance with EU EMC directive						
Certification	c UL us - Listed (OL)						
	RCM trademark						

Materials							
Size	Ø 4 mm	M5	M12x1	M18x1, straight	M18x1, angled	20x32x12 mm	30x30x15 mm
Housing	High-alloy stainless steel		Brass, chrome-plated		Acrylic butadiene styrene	Polybutylene terephthalate, reinforced	
Cable sheath	TPE-U (PUR)						

Diffuse sensors SOEG-RT

Technical data

Ordering data							
Size	Working range [mm]	Switching element function	Switch output	Electrical connection			
				Cable		Plug	
				Part No.	Type	Part No.	Type
Ø 4 mm							
	50	Light switching	PNP	537671	SOEG-RT-4-PS-K-L	537673	SOEG-RT-4-PS-S-L
			NPN	537674	SOEG-RT-4-NS-K-L	537676	SOEG-RT-4-NS-S-L
M5							
	50	Light switching	PNP	537677	SOEG-RT-M5-PS-K-L	537679	SOEG-RT-M5-PS-S-L
			NPN	537680	SOEG-RT-M5-NS-K-L	537682	SOEG-RT-M5-NS-S-L
M12							
	70 ... 300	Light switching	PNP	547908	SOEG-RT-M12-PS-K-2L	547909	SOEG-RT-M12-PS-S-2L
			NPN	547906	SOEG-RT-M12-NS-K-2L	547907	SOEG-RT-M12-NS-S-2L
M18, beam exit straight							
	40 ... 600	Antivalent	PNP	547912	SOEG-RT-M18-PA-K-2L	547913	SOEG-RT-M18-PA-S-2L
			NPN	547910	SOEG-RT-M18-NA-K-2L	547911	SOEG-RT-M18-NA-S-2L
M18, beam exit angled							
	0 ... 600	Light switching	PNP	537701	SOEG-RT-M18W-PS-K-2L	537702	SOEG-RT-M18W-PS-S-2L
			NPN	537717	SOEG-RT-M18W-NS-K-2L	537718	SOEG-RT-M18W-NS-S-2L
20x32x12 mm							
	10 ... 300	Switchable	PNP	537732	SOEG-RT-Q20-PP-K-2L-TI	537731	SOEG-RT-Q20-PP-S-2L-TI
			NPN	537734	SOEG-RT-Q20-NP-K-2L-TI	537733	SOEG-RT-Q20-NP-S-2L-TI
30x30x15 mm							
	0 ... 600	Light switching	PNP	165350	SOEG-RT-Q30-PS-K-2L	165351	SOEG-RT-Q30-PS-S-2L
			NPN	165348	SOEG-RT-Q30-NS-K-2L	165349	SOEG-RT-Q30-NS-S-2L

Diffuse sensors SOEG-RTZ, with cylindrical light beam



Technical data

General technical data		
Size	Ø 4 mm	M5
Working range [mm]	10	
Light type	Infrared	
Setting options	-	

Electrical data		
Size	Ø 4 mm	M5
Electrical connection	Cable, 3-wire	
Operating voltage range [V DC]	10 ... 30	
Max. output current [mA]	100	
Max. switching frequency [Hz]	250	
Protection against short circuit	Pulsed	
Protection against polarity reversal	For all electrical connections	
Protection class	IP67	

Operating and environmental conditions		
Size	Ø 4 mm	M5
Ambient temperature [°C]	0 ... 55	
Ambient temperature with flexible cable installation [°C]	0 ... 55	
CE mark (see declaration of conformity)	In accordance with EU EMC directive	
Certification	c UL us - Listed (OL) RCM trademark	

Materials		
Size	Ø 4 mm	M5
Housing	High-alloy stainless steel	
Cable sheath	TPE-U (PUR)	

Ordering data					
Size	Working range [mm]	Switching element function	Switch output	Electrical connection	
				Cable	Part No. Type
Ø 4 mm					
	10	Light switching	PNP	537672	SOEG-RTZ-4-PS-K-L
			NPN	537675	SOEG-RTZ-4-NS-K-L
M5					
	10	Light switching	PNP	537678	SOEG-RTZ-M5-PS-K-L
			NPN	537681	SOEG-RTZ-M5-NS-K-L

Sensors SOEG-RTH, with background suppression

Technical data

General technical data						
Size		M18x1, straight	M18x1, angled	20x32x12 mm	30x30x15 mm	50x50x17 mm
Working range	[mm]	10 ... 120	10 ... 120	25 ... 100	15 ... 150	30 ... 300
Light type		Red				
Setting options		Potentiometer		Teach-in Teach-in via electrical connection	Potentiometer	Potentiometer

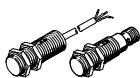
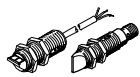
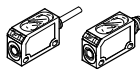
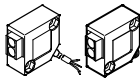

Electrical data						
Size		M18x1, straight	M18x1, angled	20x32x12 mm	30x30x15 mm	50x50x17 mm
Electrical connection	Cable	3-wire		4-wire	3-wire	4-wire
	Plug	M12x1, 3-pin		M8x1, 4-pin	M8x1, 3-pin	M12x1, 4-pin
Operating voltage range	[V DC]	10 ... 36		10 ... 30	10 ... 36	10 ... 30
Max. output current	[mA]	200		100	200	
Max. switching frequency	[Hz]	500		1,000	500	1,000
Protection against short circuit		Pulsed				
Protection against polarity reversal		For all electrical connections				
Protection class		IP65, IP67		IP67	IP65	IP67

Operating and environmental conditions						
Size		M18x1, straight	M18x1, angled	20x32x12 mm	30x30x15 mm	50x50x17 mm
Ambient temperature	[°C]	-25 ... +55		-20 ... +60	-25 ... +55	-20 ... +60
Ambient temperature with flexible cable installation	[°C]	-5 ... +55		-5 ... +60	-5 ... +55	-5 ... +60
CE mark (see declaration of conformity)		In accordance with EU EMC directive		In accordance with EU EMC directive In accordance with EU Low Voltage Directive	In accordance with EU EMC directive	In accordance with EU EMC directive In accordance with EU Low Voltage Directive
Certification		c UL us - Listed (OL)				
		RCM trademark				

Materials						
Size		M18x1, straight	M18x1, angled	20x32x12 mm	30x30x15 mm	50x50x17 mm
Housing		Brass, chrome-plated		Acrylic butadiene styrene	Polybutylene terephthalate, reinforced	Acrylic butadiene styrene
Cable sheath		TPE-U (PUR)				

Sensors SOEG-RTH, with background suppression

Technical data

Ordering data							
Size	Working range [mm]	Switching element function	Switch output	Electrical connection			
				Cable		Plug	
				Part No.	Type	Part No.	Type
M18, beam exit straight							
	10 ... 120	Light switching	PNP	537687	SOEG-RTH-M18-PS-K-2L	537689	SOEG-RTH-M18-PS-S-2L
			NPN	537705	SOEG-RTH-M18-NS-K-2L	537707	SOEG-RTH-M18-NS-S-2L
M18, beam exit angled							
	10 ... 120	Light switching	PNP	537688	SOEG-RTH-M18W-PS-K-2L	537690	SOEG-RTH-M18W-PS-S-2L
			NPN	537706	SOEG-RTH-M18W-NS-K-2L	537708	SOEG-RTH-M18W-NS-S-2L
20x32x12 mm							
	25 ... 100	Switchable	PNP	537724	SOEG-RTH-Q20-PP-K-2L-TI	537723	SOEG-RTH-Q20-PP-S-2L-TI
			NPN	537726	SOEG-RTH-Q20-NP-K-2L-TI	537725	SOEG-RTH-Q20-NP-S-2L-TI
30x30x15 mm							
	15 ... 150	Light switching	PNP	537719	SOEG-RTH-Q30-PS-K-2L	537720	SOEG-RTH-Q30-PS-S-2L
			NPN	537721	SOEG-RTH-Q30-NS-K-2L	537722	SOEG-RTH-Q30-NS-S-2L
50x50x17 mm							
	30 ... 300	Antivalent	PNP	537771	SOEG-RTH-Q50-PA-K-3L	537773	SOEG-RTH-Q50-PA-S-3L
			NPN	537772	SOEG-RTH-Q50-NA-K-3L	537774	SOEG-RTH-Q50-NA-S-3L

Retro-reflective sensors SOEG-RSP

Technical data

General technical data							
Size	M12x1	M18x1, straight	M18x1, angled	20x32x12 mm	30x30x15 mm	50x50x17 mm	
Working range	[mm]	1,500	2,000	2,000	0 ... 2,500	0 ... 2,000	0 ... 5,500
Light type	Red polarised						
Setting options	-			Teach-in Teach-in via electrical connection ¹⁾	Potentiometer		

1) Low-cost variants without the teach-in and programming functionality available

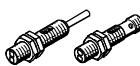


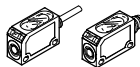
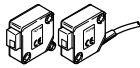

Electrical data						
Size	M12x1	M18x1, straight	M18x1, angled	20x32x12 mm	30x30x15 mm	50x50x17 mm
Electrical connection	Cable	3-wire		4-wire	3-wire	4-wire
	Plug	M12x1, 3-pin		M8x1, 4-pin	M8x1, 3-pin	M12x1, 4-pin
Operating voltage range	[V DC]	10 ... 36		10 ... 30		
Max. output current	[mA]	200		100	200	
Max. switching frequency	[Hz]	1,000				
Protection against short circuit	Pulsed					
Protection against polarity reversal	For all electrical connections					
Protection class	IP65, IP67			IP67	IP65	IP67

Operating and environmental conditions						
Size	M12x1	M18x1, straight	M18x1, angled	20x32x12 mm	30x30x15 mm	50x50x17 mm
Ambient temperature	[°C]	-25 ... +55		-20 ... +60	-25 ... +55	-20 ... +60
Ambient temperature with flexible cable installation	[°C]	-5 ... +55		-5 ... +60	-5 ... +55	-5 ... +60
CE mark (see declaration of conformity)	In accordance with EU EMC directive			In accordance with EU EMC directive In accordance with EU Low Voltage Directive	In accordance with EU EMC directive	In accordance with EU EMC directive In accordance with EU Low Voltage Directive
Certification	c UL us - Listed (OL)					
	RCM trademark					

Materials						
Size	M12x1	M18x1, straight	M18x1, angled	20x32x12 mm	30x30x15 mm	50x50x17 mm
Housing	Brass, chrome-plated			Acrylic butadiene styrene	Polybutylene terephthalate, reinforced	Acrylic butadiene styrene
Cable sheath	Polyurethane					

Retro-reflective sensors SOEG-RSP

Technical data

Ordering data							
Size	Working range [mm]	Switching element function	Switch output	Electrical connection			
				Cable		Plug	
				Part No.	Type	Part No.	Type
M12							
	1,500	Dark switching	PNP	537683	SOEG-RSP-M12-PS-K-2L	537684	SOEG-RSP-M12-PS-S-2L
			NPN	537685	SOEG-RSP-M12-NS-K-2L	537686	SOEG-RSP-M12-NS-S-2L
M18, beam exit straight							
	2,000	Dark switching	PNP	537697	SOEG-RSP-M18-PS-K-2L	537699	SOEG-RSP-M18-PS-S-2L
			NPN	537713	SOEG-RSP-M18-NS-K-2L	537715	SOEG-RSP-M18-NS-S-2L
M18, beam exit angled							
	2,000	Dark switching	PNP	537698	SOEG-RSP-M18W-PS-K-2L	537700	SOEG-RSP-M18W-PS-S-2L
			NPN	537714	SOEG-RSP-M18W-NS-K-2L	537716	SOEG-RSP-M18W-NS-S-2L
20x32x12 mm							
	2,500	Switchable	PNP	537750	SOEG-RSP-Q20-PP-K-2L-TI	537749	SOEG-RSP-Q20-PP-S-2L-TI
			NPN	537752	SOEG-RSP-Q20-NP-K-2L-TI	537751	SOEG-RSP-Q20-NP-S-2L-TI
	2,500	Switchable	PNP	–		537784	SOEG-RSP-Q20-PS-S-2L ¹⁾
30x30x15 mm							
	0 ... 2,000	Dark switching	PNP	165330	SOEG-RSP-Q30-PS-K-2L	165331	SOEG-RSP-Q30-PS-S-2L
			NPN	165328	SOEG-RSP-Q30-NS-K-2L	165329	SOEG-RSP-Q30-NS-S-2L
50x50x17 mm							
	0 ... 5,500	Antivalent	PNP	537763	SOEG-RSP-Q50-PA-K-3L	537765	SOEG-RSP-Q50-PA-S-3L
			NPN	537764	SOEG-RSP-Q50-NA-K-3L	537766	SOEG-RSP-Q50-NA-S-3L

1) Low-cost variants without the teach-in and programming functionality

Retro-reflective sensors SOEG-RSG, for transparent objects

FESTO

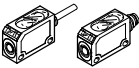
Technical data

General technical data		
Size		20x32x12 mm
Working range	[mm]	5 ... 500
Light type		Red polarised
Setting options		Teach-in Teach-in via electrical connection

Electrical data		
Size		20x32x12 mm
Electrical connection	Cable	4-wire
	Plug	M8x1, 4-pin
Operating voltage range	[V DC]	10 ... 30
Max. output current	[mA]	100
Max. switching frequency	[Hz]	1,000
Protection against short circuit		Pulsed
Protection against polarity reversal		For all electrical connections
Protection class		IP67

Operating and environmental conditions		
Size		20x32x12 mm
Ambient temperature	[°C]	-20 ... +60
Ambient temperature with flexible cable installation	[°C]	-5 ... +60
CE mark (see declaration of conformity)		In accordance with EU EMC directive
		In accordance with EU Low Voltage Directive
Certification		c UL us - Listed (OL)
		RCM trademark

Materials		
Size		20x32x12 mm
Housing		Acrylic butadiene styrene
Cable sheath		TPE-U (PUR)

Ordering data							
Size	Working range [mm]	Switching element function	Switch output	Electrical connection			
				Cable		Plug	
				Part No.	Type	Part No.	Type
20x32x12 mm							
	5 ... 500	Switchable	PNP	537754	SOEG-RSG-Q20-PP-K-2L-TI	537753	SOEG-RSG-Q20-PP-S-2L-TI

Through-beam sensors SOEG-S/E

Technical data

General technical data						
Size		M18x1, straight	M18x1, angled	20x32x12 mm	30x30x15 mm	50x50x17 mm
Working range	[mm]	20,000	20,000	6,000	2,000	15,000
Light type		Red			Infrared	
Setting options		-		Teach-in Teach-in via electrical connection	Potentiometer	

Electrical data						
Size		M18x1, straight	M18x1, angled	20x32x12 mm	30x30x15 mm	50x50x17 mm
Electrical connection	Transmitter	Cable	3-wire	4-wire	3-wire	4-wire
		Plug	M12x1, 3-pin	M8x1, 4-pin	M8x1, 3-pin	M12x1, 4-pin
	Receiver	Cable	4-wire	4-wire	3-wire	4-wire
		Plug	M12x1, 4-pin	M8x1, 4-pin	M8x1, 3-pin	M12x1, 4-pin
Operating voltage range	[V DC]	10 ... 36		10 ... 30		
Max. output current	[mA]	200		100	200	
Max. switching frequency	[Hz]	1,000		500	1,000	
Protection against short circuit		Pulsed				
Protection against polarity reversal		For all electrical connections				
Protection class		IP65, IP67		IP67	IP65	IP67

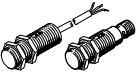
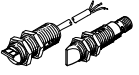
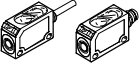
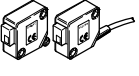
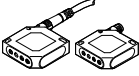
Operating and environmental conditions						
Size		M18x1, straight	M18x1, angled	20x32x12 mm	30x30x15 mm	50x50x17 mm
Ambient temperature	[°C]	-25 ... +55		-20 ... +60	-25 ... +55	-20 ... +60
Ambient temperature with flexible cable installation	[°C]	-5 ... +55		-5 ... +60	-5 ... +55	-5 ... +60
CE mark (see declaration of conformity)		In accordance with EU EMC directive		In accordance with EU EMC directive In accordance with EU Low Voltage Directive	In accordance with EU EMC directive	In accordance with EU EMC directive In accordance with EU Low Voltage Directive
Certification		c UL us - Listed (OL) RCM trademark				

Materials						
Size		M18x1, straight	M18x1, angled	20x32x12 mm	30x30x15 mm	50x50x17 mm
Housing		Brass, chrome-plated		Acrylic butadiene styrene	Polybutylene terephthalate, reinforced	Acrylic butadiene styrene
Cable sheath		TPE-U (PUR)				

Through-beam sensors SOEG-S/E

FESTO

Technical data

Ordering data								
Size	Working range [mm]	Function	Switching element function	Switch output	Electrical connection			
					Cable		Plug	
					Part No.	Type	Part No.	Type
M18, beam exit straight								
	20,000	Transmitter	–	–	537691	SOEG-S-M18-K-L	537703	SOEG-S-M18-S-L
		Receiver	Antivalent	PNP	537692	SOEG-E-M18-PA-K-2L	537704	SOEG-E-M18-PA-S-2L
				NPN	537709	SOEG-E-M18-NA-K-2L	537711	SOEG-E-M18-NA-S-2L
M18, beam exit angled								
	20,000	Transmitter	–	–	537693	SOEG-S-M18W-K-L	537695	SOEG-S-M18W-S-L
		Receiver	Antivalent	PNP	537694	SOEG-E-M18W-PA-K-2L	537696	SOEG-E-M18W-PA-S-2L
				NPN	537710	SOEG-E-M18W-NA-K-2L	537712	SOEG-E-M18W-NA-S-2L
20x32x12 mm								
	6,000	Transmitter	–	–	537744	SOEG-S-Q20-K-L-TI	537743	SOEG-S-Q20-S-L-TI
		Receiver	Switchable	PNP	537746	SOEG-E-Q20-PP-K-2L-TI	537745	SOEG-E-Q20-PP-S-2L-TI
				NPN	537748	SOEG-E-Q20-NP-K-2L-TI	537747	SOEG-E-Q20-NP-S-2L-TI
30x30x15 mm								
	2,000	Transmitter	–	–	165352	SOEG-S-Q30-K-L	165353	SOEG-S-Q30-S-L
		Receiver	Dark switching	PNP	165322	SOEG-E-Q30-PS-K-2L	165323	SOEG-E-Q30-PS-S-2L
				NPN	165320	SOEG-E-Q30-NS-K-2L	165321	SOEG-E-Q30-NS-S-2L
50x50x17 mm								
	15,000	Transmitter	–	–	537779	SOEG-S-Q50-K-L	537781	SOEG-S-Q50-S-L
		Receiver	Antivalent	PNP	537780	SOEG-E-Q50-PA-K-3L	537782	SOEG-E-Q50-PA-S-3L

Fibre-optic units SOEG-L

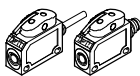
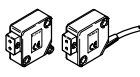
Technical data

General technical data			
Size		20x32x12 mm	30x30x15 mm
Working range	[mm]	0 ... 250	0 ... 120
Light type		Red	
Setting options		Teach-in Teach-in via electrical connection	Potentiometer

Electrical data			
Size		20x32x12 mm	30x30x15 mm
Electrical connection	Cable	4-wire	
	Plug	M8x1, 4-pin	
Operating voltage range	[V DC]	10 ... 30	
Max. output current	[mA]	100	200
Max. switching frequency	[Hz]	1,000	
Protection against short circuit		Pulsed	
Protection against polarity reversal		For all electrical connections	
Protection class		IP67	IP65

Operating and environmental conditions			
Size		20x32x12 mm	30x30x15 mm
Ambient temperature	[°C]	0 ... 60	-25 ... +55
Ambient temperature with flexible cable installation	[°C]	0 ... 60	-5 ... +55
CE mark (see declaration of conformity)		In accordance with EU EMC directive	In accordance with EU EMC directive
		In accordance with EU Low Voltage Directive	
Certification		c UL us - Listed (OL)	
		RCM trademark	

Materials			
Size		20x32x12 mm	30x30x15 mm
Housing		Acrylic butadiene styrene	Polybutylene terephthalate, reinforced
Cable sheath		TPE-U (PUR)	

Ordering data							
Size	Working range [mm]	Switching element function	Switch output	Electrical connection			
				Cable		Plug	
				Part No.	Type	Part No.	Type
20x32x12 mm							
	0 ... 250	Switchable	PNP	537740	SOEG-L-Q20-PP-K-2L-TI	537739	SOEG-L-Q20-PP-S-2L-TI
			NPN	537742	SOEG-L-Q20-NP-K-2L-TI	537741	SOEG-L-Q20-NP-S-2L-TI
30x30x15 mm							
	0 ... 120	Antivalent	PNP	165326	SOEG-L-Q30-P-A-K-2L	165327	SOEG-L-Q30-P-A-S-2L
			NPN	165324	SOEG-L-Q30-NA-K-2L	165325	SOEG-L-Q30-NA-S-2L

Distance sensors SOEG-RTD

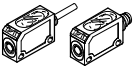
Technical data

General technical data		
Size		20x32x12 mm
Working range	[mm]	20 ... 80
Displacement resolution	[mm]	0.5
Light type		Red
Setting options		Teach-in Teach-in via electrical connection

Electrical data		
Size		20x32x12 mm
Analogue output	[V]	0 ... 10
Electrical connection	Cable	4-wire
	Plug	M8x1, 4-pin
Operating voltage range	[V DC]	15 ... 30
Max. output current	[mA]	100
Max. switching frequency	[Hz]	200
Protection against short circuit		Pulsed
Protection against polarity reversal		For all electrical connections
Protection class		IP67

Operating and environmental conditions		
Size		20x32x12 mm
Ambient temperature	[°C]	0 ... 60
Ambient temperature with flexible cable installation	[°C]	0 ... 60
CE mark (see declaration of conformity)		In accordance with EU EMC directive
		In accordance with EU Low Voltage Directive
Certification		c UL us - Listed (OL)
		RCM trademark

Materials		
Size		20x32x12 mm
Housing		Acrylic butadiene styrene
Cable sheath		TPE-U (PUR)

Ordering data							
Size	Working range [mm]	Switching element function	Switch output	Electrical connection			
				Cable		Plug	
				Part No.	Type	Part No.	Type
20x32x12 mm							
	20 ... 80	Switchable	PNP	537758	SOEG-RTD-Q20-PP-K-2L-TI	537757	SOEG-RTD-Q20-PP-S-2L-TI

Laser sensors SOEL-RT...

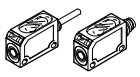
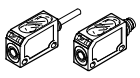

Technical data

General technical data				
Method of measurement		Contrast sensor (diffuse)	With background suppression	
Size		20x32x12 mm	20x32x12 mm	50x50x17 mm
Working range	[mm]	40 ... 150	30 ... 110	50 ... 300
Light type		Laser, red		
Laser protection class		2		
Setting options		Teach-in Teach-in via electrical connection	Teach-in Teach-in via electrical connection	Potentiometer

Electrical data				
Method of measurement		Contrast sensor (diffuse)	With background suppression	
Size		20x32x12 mm	20x32x12 mm	50x50x17 mm
Electrical connection	Cable	4-wire	4-wire	4-wire
	Plug	M8x1, 4-pin	M8x1, 4-pin	M12x1, 4-pin
Operating voltage range	[V DC]	10 ... 30	10 ... 30	
Max. output current	[mA]	100	100	200
Max. switching frequency	[Hz]	4,000	1,000	2,500
Protection against short circuit		Pulsed		
Protection against polarity reversal		For all electrical connections		
Protection class		IP67		

Operating and environmental conditions				
Method of measurement		Contrast sensor (diffuse)	With background suppression	
Size		20x32x12 mm	20x32x12 mm	50x50x17 mm
Ambient temperature	[°C]	-20 ... +60	-20 ... +60	-20 ... +45
Ambient temperature with flexible cable installation	[°C]	-5 ... +60	-5 ... +60	-5 ... +45
CE mark (see declaration of conformity)		In accordance with EU EMC directive		
		In accordance with EU Low Voltage Directive		
Certification		c UL us - Listed (OL)		
		RCM trademark		

Materials	
Housing	Acrylic butadiene styrene
Cable sheath	TPE-U (PUR)

Ordering data							
Size	Working range [mm]	Switching element function	Switch output	Electrical connection			
				Cable		Plug	
				Part No.	Type	Part No.	Type
20x32x12 mm, contrast sensor (diffuse)							
	40 ... 150	Switchable	PNP	537736	SOEL-RT-Q20-PP-K-2L-TI	537735	SOEL-RT-Q20-PP-S-2L-TI
			NPN	537738	SOEL-RT-Q20-NP-K-2L-TI	537737	SOEL-RT-Q20-NP-S-2L-TI
20x32x12 mm, with background suppression							
	30 ... 110	Switchable	PNP	537729	SOEL-RTH-Q20-PP-K-2L-TI	537727	SOEL-RTH-Q20-PP-S-2L-TI
			NPN	537730	SOEL-RTH-Q20-NP-K-2L-TI	537728	SOEL-RTH-Q20-NP-S-2L-TI
50x50x17 mm, with background suppression							
	50 ... 300	Antivalent	PNP	537777	SOEL-RTH-Q50-PA-K-3L	537775	SOEL-RTH-Q50-PA-S-3L
			NPN	537778	SOEL-RTH-Q50-NA-K-3L	537776	SOEL-RTH-Q50-NA-S-3L

Laser retro-reflective sensors SOEL-RSP

Technical data

General technical data			
Size		20x32x12 mm	50x50x17 mm
Working range	[mm]	70 ... 3,000	20,000
Light type		Red polarised	
Laser protection class		1	1
Setting options		Teach-in Teach-in via electrical connection	Potentiometer

Electrical data			
Size		20x32x12 mm	50x50x17 mm
Electrical connection	Cable	4-wire	4-wire
	Plug	M8x1, 4-pin	M12x1, 4-pin
Operating voltage range	[V DC]	10 ... 30	
Max. output current	[mA]	100	200
Max. switching frequency	[Hz]	4,000	2,500
Protection against short circuit		Pulsed	
Protection against polarity reversal		For all electrical connections	
Protection class		IP67	

Operating and environmental conditions			
Size		20x32x12 mm	50x50x17 mm
Ambient temperature	[°C]	-20 ... +60	-20 ... +45
Ambient temperature with flexible cable installation	[°C]	-5 ... +60	-5 ... +45
CE mark (see declaration of conformity)		In accordance with EU EMC directive	
		In accordance with EU Low Voltage Directive	
Certification		c UL us - Listed (OL)	
		RCM trademark	

Materials			
Size		20x32x12 mm	50x50x17 mm
Housing		Acrylic butadiene styrene	
Cable sheath		TPE-U (PUR)	

Ordering data							
Size	Working range [mm]	Switching element function	Switch output	Electrical connection			
				Cable		Plug	
				Part No.	Type	Part No.	Type
20x32x12 mm							
	70 ... 3,000	Switchable	PNP	537760	SOEL-RSP-Q20-PP-K-2L-TI	537759	SOEL-RSP-Q20-PP-S-2L-TI
			NPN	537762	SOEL-RSP-Q20-NP-K-2L-TI	537761	SOEL-RSP-Q20-NP-S-2L-TI
50x50x17 mm							
	20,000	Antivalent	PNP	537769	SOEL-RSP-Q50-PA-K-3L	537767	SOEL-RSP-Q50-PA-S-3L
			NPN	537770	SOEL-RSP-Q50-NA-K-3L	537768	SOEL-RSP-Q50-NA-S-3L

Laser distance sensors SOEL-RTD


Technical data

General technical data			
Size	50x50x17 mm		
Working range	[mm]	38 ... 58	44 ... 84
Position measuring range	[mm]	20	40
Displacement resolution	[mm]	0.007	0.02
Light type	Laser, red		
Laser protection class	2		
Setting options	–		Teach-in Teach-in via electrical connection

Electrical data			
Size	50x50x17 mm		
Working range	[mm]	38 ... 58	44 ... 84
Analogue output	[mA]	–	4 ... 20
	[V]	0 ... 10	–
Electrical connection	Plug M12x1, 4-pin		Plug M12x1, 4-pin
Operating voltage range	[V DC]	18 ... 28	16 ... 30
Max. load current on the analogue voltage output	[mA]	3,0	–
Max. output current	[mA]	–	100
Measuring frequency	[Hz]	40	–
Max. switching frequency	[Hz]	–	1,000
Protection against short circuit	Pulsed		
Protection against polarity reversal	For operating voltage		For all electrical connections
Protection class	IP67		

Operating and environmental conditions	
Size	50x50x17 mm
Ambient temperature	[°C] 0 ... 45
CE mark (see declaration of conformity)	In accordance with EU EMC directive
	In accordance with EU Low Voltage Directive
Certification	c UL us - Listed (OL)
	RCM trademark

Materials	
Size	50x50x17 mm
Housing	Acrylic butadiene styrene

Ordering data						
Size	Working range [mm]	Switching element function	Switch output	Analogue output	Electrical connection	
					Plug	
					Part No.	Type
50x50x17 mm						
	38 ... 58	–	–	0 ... 10 V	549315	SOEL-RTD-Q50-PU-S-2L-20
	44 ... 84	–	–	0 ... 10 V	549316	SOEL-RTD-Q50-PU-S-2L-40
	80 ... 300	Switchable	2x PNP	4 ... 20 mA	537823	SOEL-RTD-Q50-PP-S-7L

Colour sensors SOEC


Technical data

General technical data		
Size		50x50x17 mm
Working range	[mm]	12 ... 32
Light type		White
Setting options		Teach-in Teach-in via electrical connection

Electrical data		
Size		50x50x17 mm
Electrical connection		Plug M12x1, 8-pin
Operating voltage range	[V DC]	10 ... 30
Max. output current	[mA]	100
Max. switching frequency	[Hz]	500
Protection against short circuit		Pulsed
Protection against polarity reversal		For all electrical connections
Protection class		IP67

Materials		
Size		50x50x17 mm
Housing		Acrylic butadiene styrene

Operating and environmental conditions		
Size		50x50x17 mm
Ambient temperature	[°C]	-10 ... +55
CE mark (see declaration of conformity)		In accordance with EU EMC directive
		In accordance with EU Low Voltage Directive
Certification		c UL us - Listed (OL)
		RCM trademark

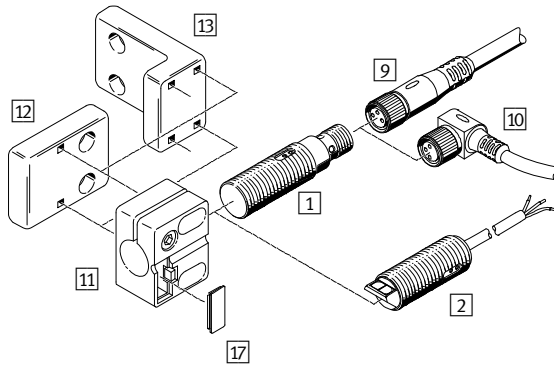
Ordering data					
Size	Working range [mm]	Switching element function	Switch output	Electrical connection	
				Plug	
				Part No.	Type
50x50x17 mm					
	12 ... 32	Light switching	3x PNP	538236	SOEC-RT-Q50-PS-S-7L

Sensors SOE..., opto-electronic

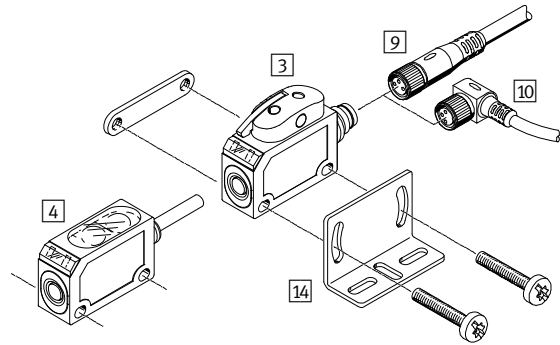
Peripherals overview

Peripherals overview

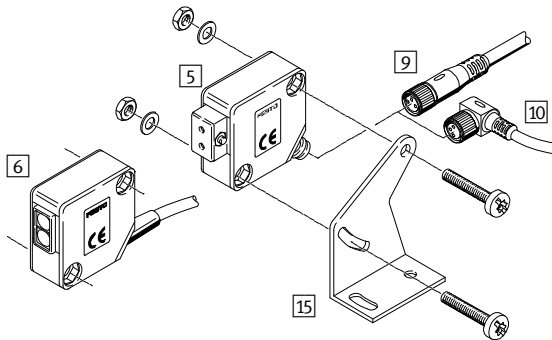
Round design, Ø 4 mm, M12, M18, M18W



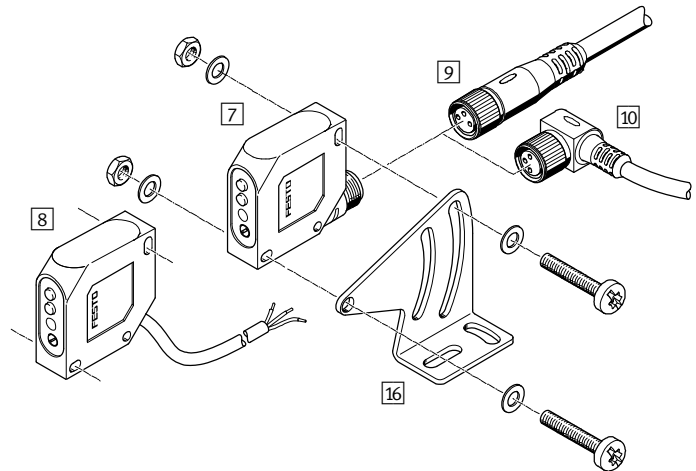
Block design, 20x32x12 mm



Block design, 30x30x15 mm



Block design, 50x50x17 mm



Mounting attachments and accessories

Sensors

- 1 Round design, Ø 4 mm, M12, M18..., with plug
- 2 Same, with cable
- 3 Block design, 20x32x12 mm, with plug
- 4 Same, with cable
- 5 Block design, 30x30x15 mm, with plug
- 6 Same, with cable
- 7 Block design, 50x50x17 mm, with plug
- 8 Same, with cable

Connecting cables

- 9 NEBU-M...G...
SIM-M...-...G
- 10 NEBU-M...W...
SIM-M...-...W

Sensor brackets

- 11 SIEZ-NB...
- 12 SIEZ-UV
- 13 SIEZ-UH

Mounting attachments and accessories

Mounting brackets

- 14 SOEZ-HW-Q20
- 15 SOEZ-HW-Q30
- 16 SOEZ-HW-Q50

Inscription label

- 17 SIEZ-LB

Fibre-optic cables, polymer

- SOEZ-LLK-RT, diffuse sensor
- SOEZ-LLK-SE, through-beam sensor

Fibre-optic cables, glass fibre

- SOEZ-LLG-RT, diffuse sensor
- SOEZ-LLG-SE, through-beam sensor

Reflectors

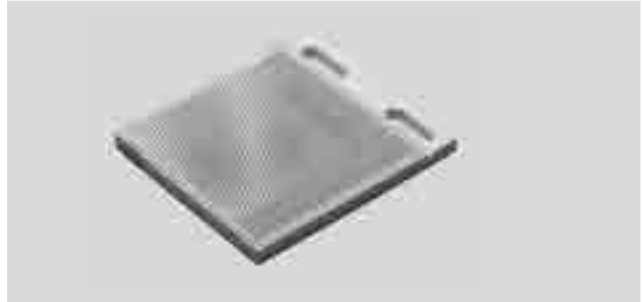
- Reflector
- Reflector foil
- Reflector for laser light

Sensors SOE..., opto-electronic

Accessories



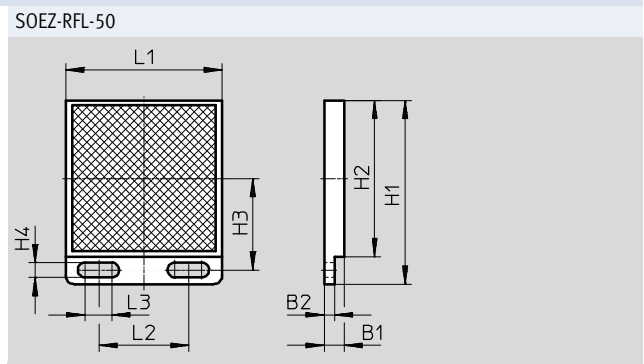
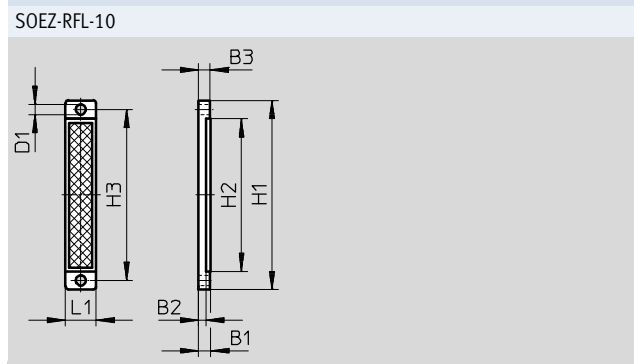
Reflector for laser light



General technical data		
Type	SOEZ-RFL-10	SOEZ-RFL-50
Method of measurement	Reflector for retro-reflective sensors	
Type of mounting	Via through-hole	
Ambient temperature [°C]	-40 ... +70	
Product weight [g]	2	15
Note on materials	Free of copper and PTFE	
Information on housing materials	PMMA, ABS	
Corrosion resistance ¹⁾	4	

1) Corrosion resistance class 4 to Festo standard 940 070
 Components subject to high corrosion stress. Parts used with aggressive media, e.g. in the food or chemical industry. These applications should be supported with special tests with the media if required.

Dimensions Download CAD data → www.festo.com



Type	B1	B2	B3	D1 ∅	H1	H2	H3	H4	L1	L2	L3
SOEZ-RFL-10	4±0.3	2.3	3.7	3.4	62	47.4	36	-	10	-	-
SOEZ-RFL-50	6.5±0.5	3.4	-	-	60.3	51.25	30	4.8	51.4	29.5	8.8

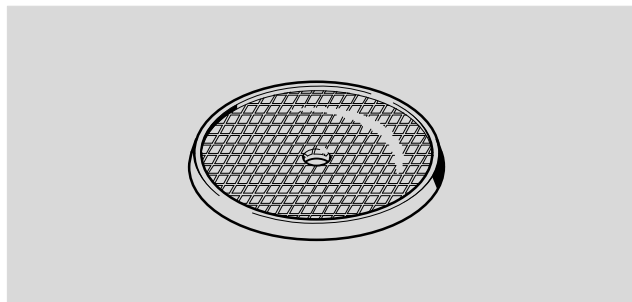
Ordering data – Reflector for laser light

	[mm]	Part No.	Type
	10 x 50	537787	SOEZ-RFL-10
	50 x 50	537788	SOEZ-RFL-50

Sensors SOE..., opto-electronic

Accessories

Reflector

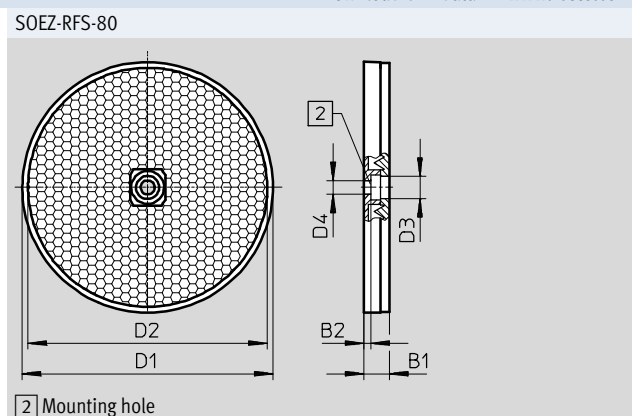
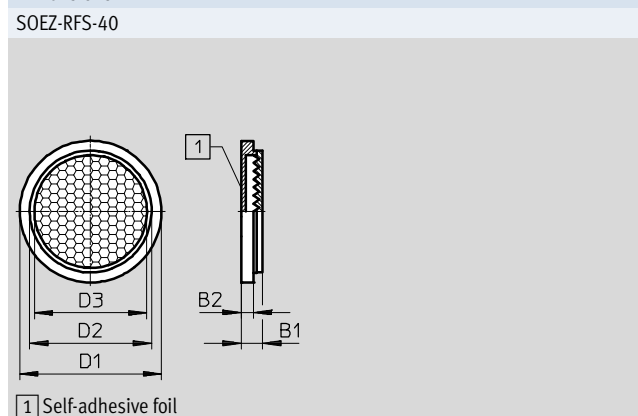


General technical data			
Type	SOEZ-RFS-20	SOEZ-RFS-40	SOEZ-RFS-80
Method of measurement	Reflector		
Type of mounting	Bonded		Via through-hole
Ambient temperature [°C]	-40 ... +70		
Product weight [g]	3	9	30
Note on materials	Free of copper and PTFE		
Information on housing materials	PMMA		
Corrosion resistance ¹⁾	4		

1) Corrosion resistance class 4 to Festo standard 940 070
 Components subject to high corrosion stress. Parts used with aggressive media, e.g. in the food or chemical industry. These applications should be supported with special tests with the media if required.

Dimensions

Download CAD data → www.festo.com



Type	B1	B2	D1	D2	D3	D4
			∅	∅	∅	∅
SOEZ-RFS-40	7 ^{±0.3}	4	46.5	40	37	-
SOEZ-RFS-80	8.5	2.5	82.1	78.3	7.5	4.6



Ordering data – Reflector



	[mm]	Part No.	Type
	20	165363	SOEZ-RFS-20
	40	165364	SOEZ-RFS-40
	80	165365	SOEZ-RFS-80


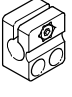
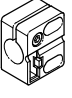
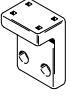
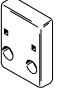
Sensors SOE..., opto-electronic


Accessories


FESTO


Ordering data – Connecting cables M8x1				
Technical data → Internet: nebu				
	Number of wires	Cable length [m]	Part No.	Type
Straight socket				
	3	2.5	541333	NEBU-M8G3-K-2.5-LE3
		5	541334	NEBU-M8G3-K-5-LE3
	4	2.5	541342	NEBU-M8G4-K-2.5-LE4
		5	541343	NEBU-M8G4-K-5-LE4
Angled socket				
	3	2.5	541338	NEBU-M8W3-K-2.5-LE3
		5	541341	NEBU-M8W3-K-5-LE3
	4	2.5	541344	NEBU-M8W4-K-2.5-LE4
		5	541345	NEBU-M8W4-K-5-LE4

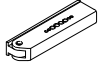
Ordering data – Connecting cables M12x1				
Technical data → Internet: nebu, sim				
	Number of wires	Cable length [m]	Part No.	Type
Straight socket				
	3	2.5	541363	NEBU-M12G5-K-2.5-LE3
		5	541364	NEBU-M12G5-K-5-LE3
	4	5	541328	NEBU-M12G5-K-5-LE4
		8	2	525616
	5		525618	SIM-M12-8GD-5-PU
Angled socket				
	3	2.5	541367	NEBU-M12W5-K-2.5-LE3
		5	541370	NEBU-M12W5-K-5-LE3
	4	5	541329	NEBU-M12W5-K-5-LE4

Ordering data – Mounting attachments			
	For design	Part No.	Type
Mounting bracket			
	Q20	537785	SOEZ-HW-Q20
	Q30	165355	SOEZ-HW-Q30
	Q50	537786	SOEZ-HW-Q50
Sensor bracket			
	4	538343	SIEZ-NB-4
	M12	538347	SIEZ-NB-12
	M18, M18W	538349	SIEZ-NB-18
	M12, M18, M18W	538354	SIEZ-UH
	M12, M18, M18W	538355	SIEZ-UV


Ordering data – Mounting attachments			
	For design	Part No.	Type
Inscription label			
	M12, M18, M18W, M30	538353	SIEZ-LB

Ordering data – Fibre-optic cables			
	Use	Part No.	Type
Polymer			
	RT ¹⁾	165358	SOEZ-LLK-RT-2,0-M6
	S/E ²⁾	165360	SOEZ-LLK-SE-2,0-M4

Glass fibre			
	Use	Part No.	Type
	RT ¹⁾	165356	SOEZ-LLG-RT-0,5-M6
	S/E ²⁾	165357	SOEZ-LLG-SE-0,5-M4

Fibre-optic cable cutter			
	For design	Part No.	Type
	For polymer fibre-optic cables	36479	SOE-LKS

- 1) Diffuse sensor
- 2) Through-beam sensor

Ordering data – Reflector foil			
	Size [mm]	Part No.	Type
Reflector foil			
	100 x 100	165362	SOEZ-RFF-100

Product Range and Company Overview

A Complete Suite and Company Overview

Our experienced engineers provide complete support at every stage of your development process, including: conceptualization, analysis, engineering, design, assembly, documentation, validation, and production.



Custom Automation Components
Complete custom engineered solutions



Custom Control Cabinets
Comprehensive engineering support and on-site services



Complete Systems
Shipment, stocking and storage services

The Broadest Range of Automation Components

With a comprehensive line of more than 30,000 automation components, Festo is capable of solving the most complex automation requirements.



Electromechanical
Electromechanical actuators, motors, controllers & drivers



Pneumatics
Pneumatic linear and rotary actuators, valves, and air supply



PLCs and I/O Devices
PLC's, operator interfaces, sensors and I/O devices

Supporting Advanced Automation... As No One Else Can!

Festo is a leading global manufacturer of pneumatic and electromechanical systems, components and controls for industrial automation, with more than 16,000 employees in 60 national headquarters serving more than 180 countries. For more than 80 years, Festo has continuously elevated the state of manufacturing with innovations and optimized motion control solutions that deliver higher performing, more profitable automated manufacturing and processing equipment. Our dedication to the advancement of automation extends beyond technology to the education and development of current and future automation and robotics designers with simulation tools, teaching programs, and on-site services.

Quality Assurance, ISO 9001 and ISO 14001 Certifications

Festo Corporation is committed to supply all Festo products and services that will meet or exceed our customers' requirements in product quality, delivery, customer service and satisfaction.

To meet this commitment, we strive to ensure a consistent, integrated, and systematic approach to management that will meet or exceed the requirements of the ISO 9001 standard for Quality Management and the ISO 14001 standard for Environmental Management.

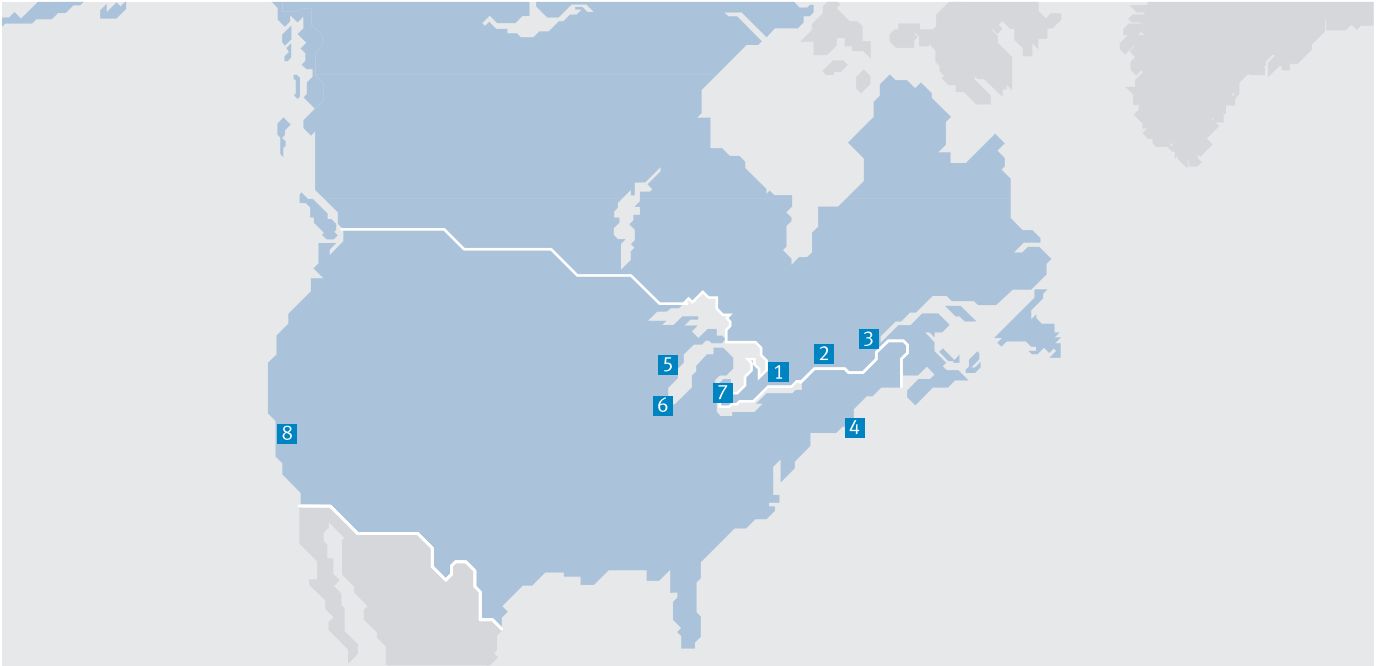


© Copyright 2013, Festo Corporation. While every effort is made to ensure that all dimensions and specifications are correct, Festo cannot guarantee that publications are completely free of any error, in particular typing or printing errors. Accordingly, Festo cannot be held responsible for the same. For Liability and Warranty conditions, refer to our "Terms and Conditions of Sale", available from your local Festo office. All rights reserved. No part of this publication may be reproduced, distributed, or transmitted in any form or by any means, electronic, mechanical, photocopying or otherwise, without the prior written permission of Festo. All technical data subject to change according to technical update.



Printed on recycled paper at New Horizon Graphic, Inc., FSC certified as an environmental friendly printing plant.

Festo North America



**1 Festo Canada
Headquarters
Festo Inc.**
5300 Explorer Drive
Mississauga, ON
L4W 5G4

2 Montréal
5600, Trans-Canada
Pointe-Claire, QC
H9R 1B6

3 Québec City
2930, rue Watt#117
Québec, QC
G1X 4G3



**4 Festo United States
Headquarters
Festo Corporation**
395 Moreland Road
Hauppauge, NY
11788

5 Appleton
North 922 Tower View Drive, Suite N
Greenville, WI
54942

7 Detroit
1441 West Long Lake Road
Troy, MI
48098

6 Chicago
85 W Algonquin - Suite 340
Arlington Heights, IL
60005

8 Silicon Valley
4935 Southfront Road, Suite F
Livermore, CA
94550

Festo Regional Contact Center

Canadian Customers

Commercial Support:
Tel: 1 877 GO FESTO (1 877 463 3786)
Fax: 1 877 FX FESTO (1 877 393 3786)
Email: festo.canada@ca.festo.com

Technical Support:
Tel: 1 866 GO FESTO (1 866 463 3786)
Fax: 1 877 FX FESTO (1 877 393 3786)
Email: technical.support@ca.festo.com

USA Customers

Commercial Support:
Tel: 1 800 99 FESTO (1 800 993 3786)
Fax: 1 800 96 FESTO (1 800 963 3786)
Email: customer.service@us.festo.com

Technical Support:
Tel: 1 866 GO FESTO (1 866 463 3786)
Fax: 1 800 96 FESTO (1 800 963 3786)
Email: product.support@us.festo.com

Subject to change

Internet: www.festo.com/us