

Rod Accessories

Rod Clevis, Type SG/CRSG, Inch and Metric Series

FESTO

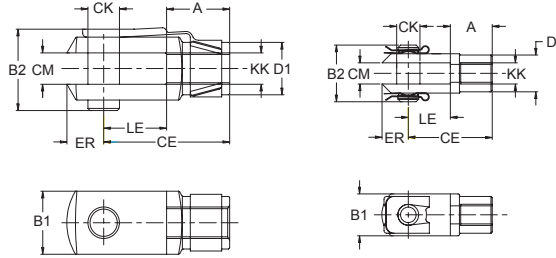
Rod Clevis, Inch Series

For Pivotal Cylinder Mount
For Inch Series Cylinders

Type SG-...

A rod clevis is installed on the front end of the piston rod when using a clevis or pivot mount on a cylinder.

Type SG-...



Order Number		For Rod Thread KK	A inch	B1 inch	B2 inch	CE inch	CK Rod inch	CM inch	D1 Dia. inch	ER inch	LE inch	Material
Part No.	Type											
546552	SG-UNF10-32-B	10-32 UNF	0.394	0.375	0.49	0.788	0.16	0.16	0.354	0.236	0.394	Equivalent to SAE 12 L 14
546548	SG-UNF1/4"-28-B	1/4-28 UNF	0.472	0.500	0.64	0.944	0.24	0.24	0.394	0.276	0.472	
546574	SG-UNF5/16"-24-B	5/16-24 UNF	0.630	0.630	0.79	1.260	0.31	0.31	0.551	0.39	0.630	
546540	SG-UNF3/8"-24-B	3/8-24 UNF	0.787	0.750	0.95	1.574	0.39	0.39	0.708	0.473	0.787	
546545	SG-UNF1/2"-20-B	1/2-20 UNF	1.102	1.000	1.21	2.204	0.47	0.47	0.945	0.630	1.102	
546575	SG-UNF5/8"-18-B	5/8-18 UNF	1.260	1.250	1.47	2.520	0.63	0.63	1.024	0.748	1.260	
546576	SG-UNF3/4"-16-B	3/4-16 UNF	1.575	1.575	2.055	3.150	0.79	0.79	1.339	0.984	1.575	

Rod Clevis, Metric Series

For Pivotal Cylinder Mount, includes Hex Nut, per DIN 439 for Metric Series Cylinders.

Types SG-M4 to SG-M16 x 1.5 and types CRSG-M6 to CRSG-M16 x 1.5 are designed to specifications DIN 71752 / DIN 8140.

Type SG-...

Material: Galvanized steel

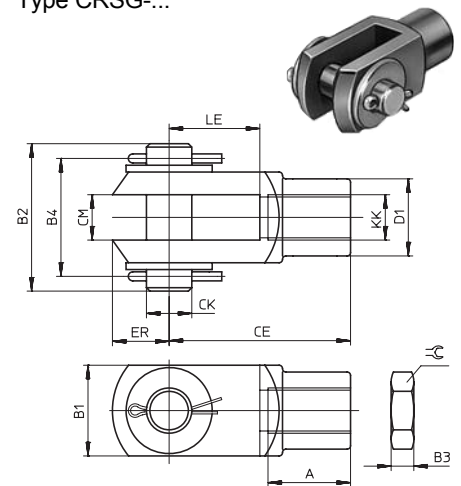
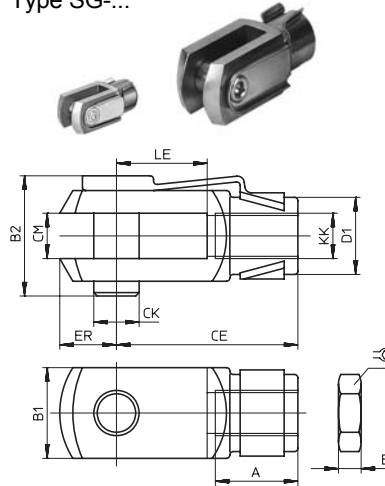
Type CRSG-...

Stainless Steel X12CrNiS188

Corrosion and acid-resistant design.

Type SG-...

Type CRSG-...



Order Number		For Piston Rod Thread KK	Weight lb / kg	Dimensions											
Part No	Type			A in / mm	B1 in / mm	B2 in / mm	B3 in / mm	B4 in / mm	CE in / mm	CK / CM in / mm	D1 in / mm	ER in / mm	LE in / mm	⌀ mm	
6532	SG-M4 *2	M4	0.022 / 0.010	0.31 / 8	0.31 / 8	0.43 / 11	0.09 / 2.2	-	0.63 / 16	0.16 / 4	0.31 / 8	0.20 / 5	0.31 / 8	7	
3110	SG-M6 *1/2	M6	0.044 / 0.020	0.47 / 12	0.47 / 12	0.63 / 16	0.13 / 3.2	-	0.94 / 24	0.24 / 6	0.39 / 10	0.27 / 7	0.47 / 12	10	
3111	SG-M8 *1/2	M8	0.110 / 0.050	0.63 / 16	0.63 / 16	0.85 / 21.5	0.16 / 4	-	1.26 / 32	0.31 / 8	0.55 / 14	0.39 / 10	0.63 / 16	13	
2674	SG-M10 *2	M10	0.220 / 0.100	0.79 / 20	0.79 / 20	1.02 / 26	0.20 / 5	-	1.57 / 40	0.39 / 10	0.71 / 18	0.47 / 12	0.79 / 20	17	
6144	SG-M10 x 1.25 *1/2	M10 x 1.25	0.220 / 0.100	0.79 / 20	0.79 / 20	1.02 / 26	0.20 / 5	-	1.57 / 40	0.39 / 10	0.71 / 18	0.47 / 12	0.79 / 20	17	
2675	SG-M12 *2	M12	0.353 / 0.160	0.94 / 24	0.94 / 24	1.22 / 31	0.24 / 6	-	1.89 / 48	0.47 / 12	0.79 / 20	0.55 / 14	0.94 / 24	19	
6145	SG-M12 x 1.25 *1/2	M12 x 1.25	0.364 / 0.165	0.94 / 24	0.94 / 24	1.22 / 31	0.24 / 6	-	1.89 / 48	0.47 / 12	0.79 / 20	0.55 / 14	0.94 / 24	19	
2676	SG-M16 *2	M16	0.783 / 0.355	1.26 / 32	1.26 / 32	1.54 / 39	0.31 / 8	-	2.52 / 64	0.63 / 16	1.02 / 26	0.75 / 19	1.26 / 32	24	
6146	SG-M16 x 1.5 *1/2	M16 x 1.5	0.739 / 0.335	1.26 / 32	1.26 / 32	1.54 / 39	0.31 / 8	-	2.52 / 64	0.63 / 16	1.02 / 26	0.75 / 19	1.26 / 32	24	
2677	SG-M20	M20	0.697 / 0.770	0.94 / 24	1.57 / 40	2.09 / 53	0.39 / 10	-	2.40 / 60	0.79 / 20	-	0.94 / 24	1.42 / 36	30	
6147	SG-M20 x 1.5 *1	M20 x 1.5	1.587 / 0.720	1.57 / 40	1.57 / 40	2.09 / 53	0.39 / 10	-	3.10 / 80	0.79 / 20	1.34 / 34	0.98 / 25	1.57 / 40	30	
2678	SG-M24	M24	3.174 / 1.440	1.26 / 32	1.97 / 50	2.56 / 65	0.47 / 12	-	2.84 / 72	0.94 / 24	-	1.02 / 26	1.57 / 40	36	
14987	SG-M27 x 2-B *1	M27 x 2	3.245 / 1.475	2.20 / 56	2.17 / 55	2.91 / 74	0.53 / 13.5	-	4.33 / 110	1.18 / 30	1.89 / 48	1.50 / 38	2.13 / 54	41	
9581	SG-M36 x 2 *1	M36 x 2	9.058 / 4.080	2.20 / 56	2.76 / 70	3.56 / 90.5	0.71 / 18	-	5.67 / 144	1.38 / 35	2.36 / 60	1.73 / 44	2.83 / 72	55	
9582	SG-M42 x 2 *1	M42 x 2	15.407 / 6.940	2.56 / 65	3.35 / 85	4.31 / 109.5	0.83 / 21	-	6.61 / 168	1.57 / 40	2.76 / 70	2.52 / 64	3.31 / 84	65	
9583	SG-M48 x 2 *1	M48 x 2	22.070 / 10.010	2.95 / 75	3.34 / 90	4.72 / 120	0.94 / 24	-	7.56 / 192	1.97 / 50	3.75 / 80	2.87 / 73	3.78 / 96	75	
Stainless Steel or Option -S9 Metric Series															
13567	CRSG-M6 *1/2	M6	0.055 / 0.025	0.47 / 12	0.47 / 12	0.88 / 22.4	0.13 / 3.2	0.69 / 17.4	0.94 / 24	0.24 / 6	0.39 / 10	0.28 / 7	0.47 / 12	10	
13568	CRSG-M8 *1/2	M8	0.121 / 0.055	0.63 / 16	0.63 / 16	1.10 / 28	0.16 / 4	0.87 / 22	1.26 / 32	0.31 / 8	0.55 / 14	0.39 / 10	0.63 / 16	13	
13569	CRSG-M10 x 1.25 *1/2	M10 x 1.25	0.243 / 0.110	0.79 / 20	0.79 / 20	1.42 / 36	0.20 / 5	1.10 / 28	1.57 / 40	0.39 / 10	0.71 / 18	0.47 / 12	0.79 / 20	17	
13570	CRSG-M12 x 1.25 *1/2	M12 x 1.25	0.397 / 0.180	0.94 / 24	0.94 / 24	1.73 / 44	0.24 / 6	1.34 / 34	1.89 / 48	0.47 / 12	0.79 / 20	0.55 / 14	0.94 / 24	19	
13571	CRSG-M16 x 1.5	M16 x 1.5	0.871 / 0.395	1.26 / 32	1.26 / 32	2.09 / 53	0.31 / 8	1.69 / 43	2.52 / 64	0.63 / 16	1.02 / 26	0.75 / 19	1.26 / 32	24	
13572	CRSG-M20 x 1.5 *1	M20 x 1.5	1.764 / 0.800	1.57 / 40	1.57 / 40	2.56 / 65	0.39 / 10	2.05 / 52	3.15 / 80	0.79 / 20	1.34 / 34	0.98 / 25	1.57 / 40	30	

*1 DIN ISO 8140 *2 DIN 71752

Product Range and Company Overview

A Complete Suite and Company Overview

Our experienced engineers provide complete support at every stage of your development process, including: conceptualization, analysis, engineering, design, assembly, documentation, validation, and production.



Custom Automation Components
Complete custom engineered solutions



Custom Control Cabinets
Comprehensive engineering support and on-site services



Complete Systems
Shipment, stocking and storage services

The Broadest Range of Automation Components

With a comprehensive line of more than 30,000 automation components, Festo is capable of solving the most complex automation requirements.



Electromechanical
Electromechanical actuators, motors, controllers & drivers



Pneumatics
Pneumatic linear and rotary actuators, valves, and air supply



PLCs and I/O Devices
PLC's, operator interfaces, sensors and I/O devices

Supporting Advanced Automation... As No One Else Can!

Festo is a leading global manufacturer of pneumatic and electromechanical systems, components and controls for industrial automation, with more than 16,000 employees in 60 national headquarters serving more than 180 countries. For more than 80 years, Festo has continuously elevated the state of manufacturing with innovations and optimized motion control solutions that deliver higher performing, more profitable automated manufacturing and processing equipment. Our dedication to the advancement of automation extends beyond technology to the education and development of current and future automation and robotics designers with simulation tools, teaching programs, and on-site services.

Quality Assurance, ISO 9001 and ISO 14001 Certifications

Festo Corporation is committed to supply all Festo products and services that will meet or exceed our customers' requirements in product quality, delivery, customer service and satisfaction.

To meet this commitment, we strive to ensure a consistent, integrated, and systematic approach to management that will meet or exceed the requirements of the ISO 9001 standard for Quality Management and the ISO 14001 standard for Environmental Management.

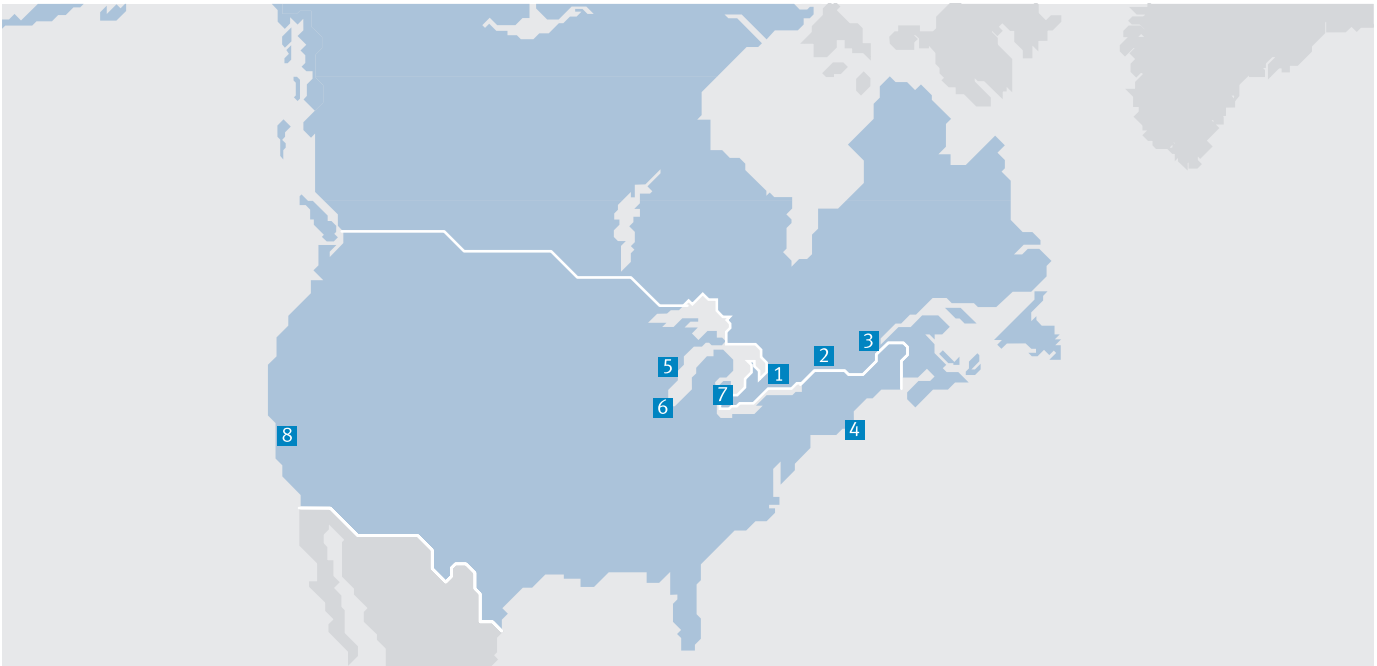


© Copyright 2013, Festo Corporation. While every effort is made to ensure that all dimensions and specifications are correct, Festo cannot guarantee that publications are completely free of any error, in particular typing or printing errors. Accordingly, Festo cannot be held responsible for the same. For Liability and Warranty conditions, refer to our "Terms and Conditions of Sale", available from your local Festo office. All rights reserved. No part of this publication may be reproduced, distributed, or transmitted in any form or by any means, electronic, mechanical, photocopying or otherwise, without the prior written permission of Festo. All technical data subject to change according to technical update.



Printed on recycled paper at New Horizon Graphic, Inc., FSC certified as an environmental friendly printing plant.

Festo North America



**1 Festo Canada
Headquarters
Festo Inc.**
5300 Explorer Drive
Mississauga, ON
L4W 5G4

2 Montréal
5600, Trans-Canada
Pointe-Claire, QC
H9R 1B6

3 Québec City
2930, rue Watt#117
Québec, QC
G1X 4G3



**4 Festo United States
Headquarters
Festo Corporation**
395 Moreland Road
Hauppauge, NY
11788

5 Appleton
North 922 Tower View Drive, Suite N
Greenville, WI
54942

7 Detroit
1441 West Long Lake Road
Troy, MI
48098

6 Chicago
85 W Algonquin - Suite 340
Arlington Heights, IL
60005

8 Silicon Valley
4935 Southfront Road, Suite F
Livermore, CA
94550

Festo Regional Contact Center

Canadian Customers

Commercial Support:
Tel: 1 877 GO FESTO (1 877 463 3786)
Fax: 1 877 FX FESTO (1 877 393 3786)
Email: festo.canada@ca.festo.com

Technical Support:
Tel: 1 866 GO FESTO (1 866 463 3786)
Fax: 1 877 FX FESTO (1 877 393 3786)
Email: technical.support@ca.festo.com

USA Customers

Commercial Support:
Tel: 1 800 99 FESTO (1 800 993 3786)
Fax: 1 800 96 FESTO (1 800 963 3786)
Email: customer.service@us.festo.com

Technical Support:
Tel: 1 866 GO FESTO (1 866 463 3786)
Fax: 1 800 96 FESTO (1 800 963 3786)
Email: product.support@us.festo.com