

Electrical connection technology, for inputs/outputs

Technical data – SEA-GS

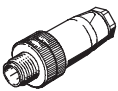
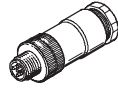
- Sensor plug/socket for inputs/outputs
- Can be assembled with any cable length
- 4-pin
- Wire cross section of up to 0.75 mm²



General technical data	
Type	SEA-GS-...
Electrical connection	Straight plug, 4-pin, M12x1, screw terminal
Type of mounting	Via threaded sleeve
Mounting position	Any
Max. tightening torque of locking clip [Nm]	0.5
Surge capacity [kV]	2.5
Acceptable current load at 40 °C [A]	4
Max. wire cross section [mm ²]	0.75
Protection class to EN 60529	IP67 (assembled)
Based on standard	EN 61076-2-101, EN 61984
Housing colour	Black
Housing material	Polybutylene terephthalate
Contact material	Brass, coated with white bronze
Union nut material	Polybutylene terephthalate
Note on materials	RoHS-compliant

Operating and environmental conditions	
Ambient temperature [°C]	-40 ... +85
Corrosion resistance class CRC ¹⁾	2
CE mark (see declaration of conformity)	To EU Low Voltage Directive
Degree of contamination	3

1) Corrosion resistance class 2 as per Festo standard 940 070
 Components subject to moderate corrosion stress. Externally visible parts with primarily decorative surface requirements which are in direct contact with a normal industrial environment or media such as coolants or lubricating agents.

Ordering data							
	Operating voltage range		Cable connector	Permissible cable diameter [mm]	Product weight [g]	Type	Part No.
	[V AC]	[V DC]					
	250	250	Pg7	4 ... 6	17	SEA-GS-7	18 666
	250	250	Pg9	6 ... 8	18	SEA-GS-9	18 778
	250	250	Pg11	3 ... 5	24	SEA-GS-11-DUO	18 779

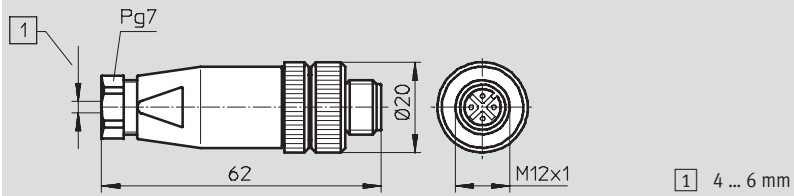
Electrical connection technology, for inputs/outputs

Technical data – SEA-GS

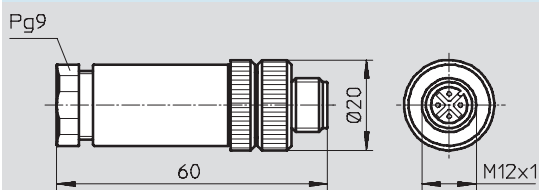
Dimensions

Download CAD Data → www.festo.com/us/cad

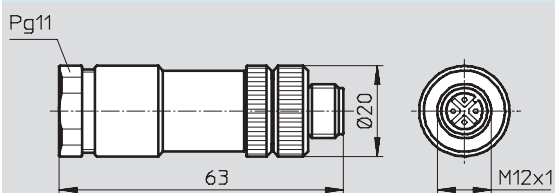
SEA-GS-7



SEA-GS-9



SEA-GS-11-DU0



Electrical connection technology, for inputs/outputs

Technical data – SEA-GS-HAR

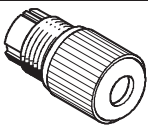
- Sensor plug/socket for inputs/outputs
- Can be assembled with any cable length
- 4-pin
- Wire cross section of up to 0.5 mm²



General technical data	
Type	SEA-GS-HAR-4POL
Mounting position	Any
Tightening torque of locking clip [Nm]	0.5
Surge capacity [kV]	0.8
Acceptable current load at 40 °C [A]	4
Cable connector	Pg9
Permissible cable diameter [mm]	4 ... 5.1
Individual wire diameter [mm]	0.1
Wire diameter [mm]	1.2 ... 1.6
Max. wire cross section [mm ²]	0.25 ... 0.5
Protection class to EN 60529	IP67 (assembled)
Based on standard	EN 61076-2-101, EN 61984
Housing material	Die-cast zinc, nickel-plated
Contact material	Copper base alloy, gold-plated
Wire insulation material	Polyvinyl chloride
Note on materials	RoHS-compliant

Operating and environmental conditions	
Ambient temperature [°C]	-25 ... +85
Corrosion resistance class CRC ¹⁾	2
Degree of contamination	3

1) Corrosion resistance class 2 as per Festo standard 940 070
 Components subject to moderate corrosion stress. Externally visible parts with primarily decorative surface requirements which are in direct contact with a normal industrial environment or media such as coolants or lubricating agents.

Ordering data							
View	Electrical connection	Type of mounting	Operating voltage range		Product weight [g]	Type	Part No.
			[V AC]	[V DC]			
	Straight socket M12x1, 4-pin, insulation displacement connector	Via thread	32	32	11.5	SEA-GS-HAR-4POL	525 928

Electrical connection technology, for inputs/outputs

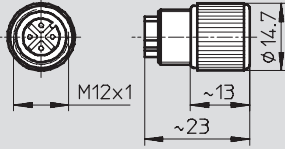
FESTO

Technical data – SEA-GS-HAR

Dimensions

Download CAD Data → www.festo.com/us/cad

SEA-GS-HAR



Electrical connection technology, for inputs/outputs

Technical data – SEA-GS-M8



- Sensor plug/socket for inputs/outputs
- Can be assembled with any cable length
- 3-pin
- With screw terminals or soldered connection
- Wire cross section of up to 0.5 mm²



General technical data		
Type	SEA-GS-M8	SEA-3GS-M8-S
Type of mounting	Via threaded sleeve	
Mounting position	Any	
Permissible cable diameter [mm]	3.5 ... 5	2.5 ... 5
Connection cross section [mm ²]	0.25	0.14 ... 0.5
Acceptable current load [A]	3	
Surge capacity [kV]	1.5	
Protection class to EN 60529	IP67 (assembled)	IP65 (assembled)
Cable connector	PG7	
Housing colour	Black	
Housing material	Polyamide	
Contact material	Brass, gold-plated	
Union nut material	Brass, nickel-plated	Brass, nickel-plated/chrome-plated
Note on materials	RoHS-compliant	
Max. tightening torque of locking clip [Nm]	0.3	

Operating and environmental conditions		
Ambient temperature [°C]	-40 ... +85	
Corrosion resistance class CRC ¹⁾	2	
CE mark (see declaration of conformity)	To EU Low Voltage Directive	
Degree of contamination	3	

1) Corrosion resistance class 2 as per Festo standard 940 070
 Components subject to moderate corrosion stress. Externally visible parts with primarily decorative surface requirements which are in direct contact with a normal industrial environment or media such as coolants or lubricating agents.

Ordering data						
	Electrical connection	Operating voltage range		Product weight [g]	Type	Part No.
		[V AC]	[V DC]			
	Straight plug M8x1, 3-pin, screw terminal	60	60	11	SEA-3GS-M8-S	192 009
	Straight plug M8x1, 3-pin, solder lug	60	60	9	SEA-GS-M8	18 696

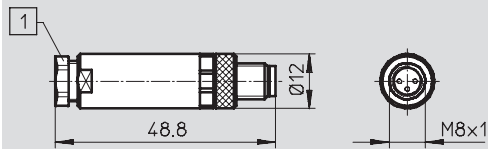
Electrical connection technology, for inputs/outputs

Technical data – SEA-GS-M8

Dimensions

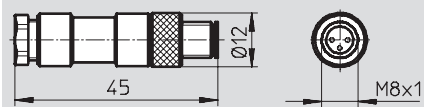
Download CAD Data → www.festo.com/us/cad

SEA-3GS-M8-S



- 1 Cable connector:
- Black for cable 3.5 ... 5 mm
 - Blue for cable 2.5 ... 4 mm

SEA-GS-M8



Electrical connection technology, for inputs/outputs

Technical data – SEA-M12

- Sensor plug/socket for inputs/outputs
- Can be assembled with any cable length
- 4 or 5-pin
- Wire cross section of up to 0.75 mm²



General technical data		
Type	SEA-M12-5GS-PG7	SEA-M12-4WD-PG7
Mounting position	Any	
Cable connector	Pg7	
Permissible cable diameter [mm]	4 ... 6	
Max. tightening torque of locking clip [Nm]	0.5	
Connection cross section [mm ²]	0.25 ... 0.75	
Acceptable current load at 40 °C [A]	4	
Surge capacity [kV]	1.5	2.5
Protection class to EN 60529	IP67 (assembled)	
Based on standard	EN 61076-2-101, EN 61984	
Housing colour	Black	
Housing material	Polybutylene terephthalate	
Contact material	Brass, coated with white bronze	
Seal material	Nitrile rubber	
Union nut material	Die-cast zinc, nickel-plated	
Note on materials	RoHS-compliant	

Operating and environmental conditions		
Ambient temperature [°C]	–40 ... +85	
CE mark (see declaration of conformity)	To EU Low Voltage Directive	
Degree of contamination	3	
Fire protection classification to UL 94	HB, V2	

Ordering data							
	Electrical connection	Type of mounting	Operating voltage range		Product weight [g]	Type	Part No.
			[V AC]	[V DC]			
	Angled socket, 4-pin, type A, screw terminal	Union nut M12x1	250	250	30	SEA-M12-4WD-PG7	185 498
	Straight plug, 5-pin, type A, screw terminal	Threaded sleeve M12x1	60	60	21.5	SEA-M12-5GS-PG7	175 487

Electrical connection technology, for inputs/outputs

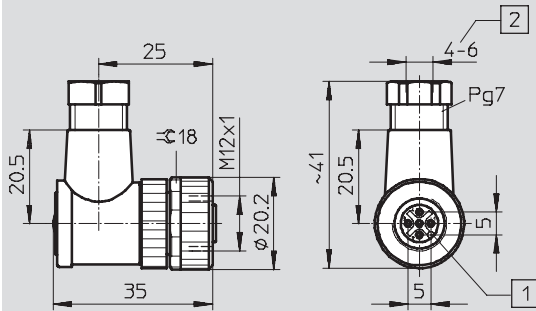
FESTO

Technical data – SEA-M12

Dimensions

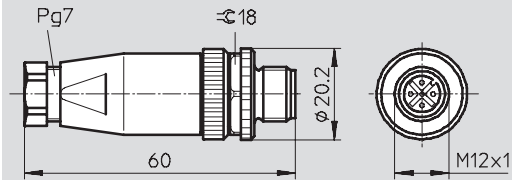
Download CAD Data → www.festo.com/us/cad

SEA-M12-4WD-PG7



- 1 Insert rotatable in steps of 90°
- 2 Cable \varnothing 4 ... 6 mm

SEA-M12-5GS-PG7



Electrical connection technology, for inputs/outputs

Technical data – SEA-...GS

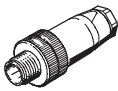
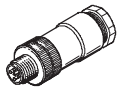
- Sensor plug for inputs/outputs
- Can be assembled with any cable length
- 4 or 5-pin
- Wire cross section of up to 0.5 mm²



General technical data		SEA-4GS-7-2,5	SEA-5GS-11-DUO
Type		SEA-4GS-7-2,5	SEA-5GS-11-DUO
Type of mounting		Via threaded sleeve M12x1	
Max. tightening torque of locking clip	[Nm]	0.5	
Mounting position		Any	
Permissible cable diameter	[mm]	2.5 ... 2.9	2 x 2.5 ... 2.9 or 2 x 5
Max. wire cross section	[mm ²]	0.14 ... 0.5	
Surge capacity	[kV]	2.5	1.5
Protection class to EN 60529		IP65 (assembled)	
Based on standard		EN 61076-2-101, EN 61984	
Housing colour		Black	
Housing material		Polyamide	
Contact material		Brass, coated with white bronze	
Union nut material		Polyamide	
Note on materials		RoHS-compliant	

Operating and environmental conditions		
Ambient temperature	[°C]	-40 ... +85
Corrosion resistance class CRC ¹⁾		2
CE mark (see declaration of conformity)		To EU Low Voltage Directive
Degree of contamination		3

1) Corrosion resistance class 2 as per Festo standard 940 070
 Components subject to moderate corrosion stress. Externally visible parts with primarily decorative surface requirements which are in direct contact with a normal industrial environment or media such as coolants or lubricating agents.

Ordering data								
	Electrical connection	Operating voltage range		Acceptable current load [A]	Cable connector	Product weight [g]	Type	Part No.
		[V AC]	[V DC]					
	Straight plug, 4-pin, screw terminal	250	250	4	Pg7	18	SEA-4GS-7-2,5	192 008
	Straight plug, 5-pin, screw terminal	60	60	4	Pg11	24	SEA-5GS-11-DUO	192 010

Electrical connection technology, for inputs/outputs

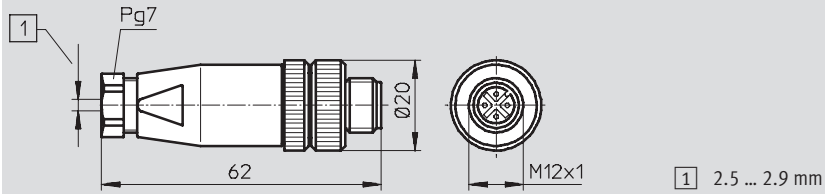
FESTO

Technical data – SEA-...GS

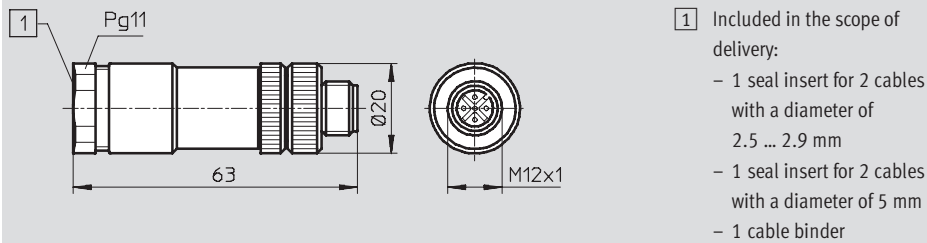
Dimensions

Download CAD Data → www.festo.com/us/cad

SEA-4GS-7-2,5



SEA-5GS-11-DUO



Product Range and Company Overview

A Complete Suite of Automation Services

Our experienced engineers provide complete support at every stage of your development process, including: conceptualization, analysis, engineering, design, assembly, documentation, validation, and production.



Custom Automation Components
Complete custom engineered solutions



Custom Control Cabinets
Comprehensive engineering support and on-site services



Complete Systems
Shipment, stocking and storage services

The Broadest Range of Automation Components

With a comprehensive line of more than 30,000 automation components, Festo is capable of solving the most complex automation requirements.



Electromechanical
Electromechanical actuators, motors, controllers & drives



Pneumatics
Pneumatic linear and rotary actuators, valves, and air supply



PLCs and I/O Devices
PLC's, operator interfaces, sensors and I/O devices

Supporting Advanced Automation... As No One Else Can!

Festo is a leading global manufacturer of pneumatic and electromechanical systems, components and controls for industrial automation, with more than 12,000 employees in 56 national headquarters serving more than 180 countries. For more than 80 years, Festo has continuously elevated the state of manufacturing with innovations and optimized motion control solutions that deliver higher performing, more profitable automated manufacturing and processing equipment. Our dedication to the advancement of automation extends beyond technology to the education and development of current and future automation and robotics designers with simulation tools, teaching programs, and on-site services.

Quality Assurance, ISO 9001 and ISO 14001 Certifications

Festo Corporation is committed to supply all Festo products and services that will meet or exceed our customers' requirements in product quality, delivery, customer service and satisfaction.

To meet this commitment, we strive to ensure a consistent, integrated, and systematic approach to management that will meet or exceed the requirements of the ISO 9001 standard for Quality Management and the ISO 14001 standard for Environmental Management.



© Copyright 2008, Festo Corporation. While every effort is made to ensure that all dimensions and specifications are correct, Festo cannot guarantee that publications are completely free of any error, in particular typing or printing errors. Accordingly, Festo cannot be held responsible for the same. For Liability and Warranty conditions, refer to our "Terms and Conditions of Sale", available from your local Festo office. All rights reserved. No part of this publication may be reproduced, distributed, or transmitted in any form or by any means, electronic, mechanical, photocopying or otherwise, without the prior written permission of Festo. All technical data subject to change according to technical update.



Printed on recycled paper at New Horizon Graphic, Inc., FSC certified as an environmentally friendly printing plant.

Festo North America

Festo Regional Contact Center

5300 Explorer Drive
Mississauga, Ontario L4W 5G4
Canada

USA Customers:

For ordering assistance,

Call: 1.800.99.FESTO (1.800.993.3786)

Fax: 1.800.96.FESTO (1.800.963.3786)

Email: customer.service@us.festo.com

For technical support,

Call: 1.866.GO.FESTO (1.866.463.3786)

Fax: 1.800.96.FESTO (1.800.963.3786)

Email: product.support@us.festo.com

Canadian Customers:

Call: 1.877.GO.FESTO (1.877.463.3786)

Fax: 1.877.FX.FESTO (1.877.393.3786)

Email: festo.canada@ca.festo.com

USA Headquarters

Festo Corporation
395 Moreland Road
P.O. Box 18023
Hauppauge, NY 11788, USA
www.festo.com/us

USA Sales Offices

Appleton

North 922 Tower View Drive, Suite N
Greenville, WI 54942, USA

Boston

120 Presidential Way, Suite 330
Woburn, MA 01801, USA

Chicago

1441 East Business Center Drive
Mt. Prospect, IL 60056, USA

Dallas

1825 Lakeway Drive, Suite 600
Lewisville, TX 75057, USA

Detroit – Automotive Engineering Center

2601 Cambridge Court, Suite 320
Auburn Hills, MI 48326, USA

New York

395 Moreland Road
Hauppauge, NY 11788, USA

Silicon Valley

4935 Southfront Road, Suite F
Livermore, CA 94550, USA

United States



USA Headquarters, East: Festo Corp., 395 Moreland Road, Hauppauge, NY 11788

Phone: 1.631.435.0800; Fax: 1.631.435.8026;

Email: info@festo-usa.com

www.festo.com/us

Canada



Headquarters: Festo Inc., 5300 Explorer Drive, Mississauga, Ontario L4W 5G4

Phone: 1.905.624.9000; Fax: 1.905.624.9001;

Email: festo.canada@ca.festo.com

www.festo.ca

Mexico



Headquarters: Festo Pneumatic, S.A., Av. Ceylán 3, Col. Tequesquahuac,
54020 Tlalneantla, Edo. de México

Phone: 011 52 [55] 53 21 66 00; Fax: 011 52 [55] 53 21 66 65;

Email: festo.mexico@mx.festo.com

www.festo.com/mx

Central USA

Festo Corporation
1441 East Business
Center Drive
Mt. Prospect, IL 60056, USA
Phone: 1.847.759.2600
Fax: 1.847.768.9480



Western USA

Festo Corporation
4935 Southfront Road,
Suite F
Livermore, CA 94550, USA
Phone: 1.925.371.1099
Fax: 1.925.245.1286



Festo Worldwide

Argentina Australia Austria Belarus Belgium Brazil Bulgaria Canada Chile China Colombia Croatia Czech Republic Denmark
Estonia Finland France Germany Great Britain Greece Hong Kong Hungary India Indonesia Iran Ireland Israel Italy Japan Latvia
Lithuania Malaysia Mexico Netherlands New Zealand Norway Peru Philippines Poland Romania Russia Serbia Singapore
Slovakia Slovenia South Africa South Korea Spain Sweden Switzerland Taiwan Thailand Turkey Ukraine United States Venezuela

www.festo.com