

Pressure sensors SDE5



Pressure sensors SDE5

Key features

FESTO

At a glance

SDE5-...-M8
Plug version, plug M8x1,
3-pin



SDE5-...-K
Cable version, 2.5 m long,
3-wire



Linkable wall bracket with clip-in facility for sensors
(included in the scope of delivery)

Product description

The pressure sensor SDE5 is a cost-effective alternative for simple and quick pressure monitoring. The “intelligent fitting” delivers instant information about the current pressure and is an equally effective device for object detection via back pressure as it is for pressure, regulation and vacuum detection.

Main applications

The pressure sensor SDE5 can be used wherever simple sensing of the current pressure is required:

- Compressed air monitoring
- Regulator monitoring
- Suction confirmation in vacuum technology
- Object detection via back pressure

Features

- Selectable output functions
- Teach-in function for programming
- Minimal assembly times thanks to QS fittings and linkable wall bracket
- Quick switching-point adjustment at the touch of a button
- Switching status indicated by an LED visible from all sides
- Relative pressure or differential pressure measurement
- Five pressure measuring ranges: 0 ... -1, -1 ... 1, 0 ... 2, 0 ... 6, 0 ... 10 bar
- Analogue output: 0 ... 10 V
- Electrical outputs: 1 switching output PNP or NPN

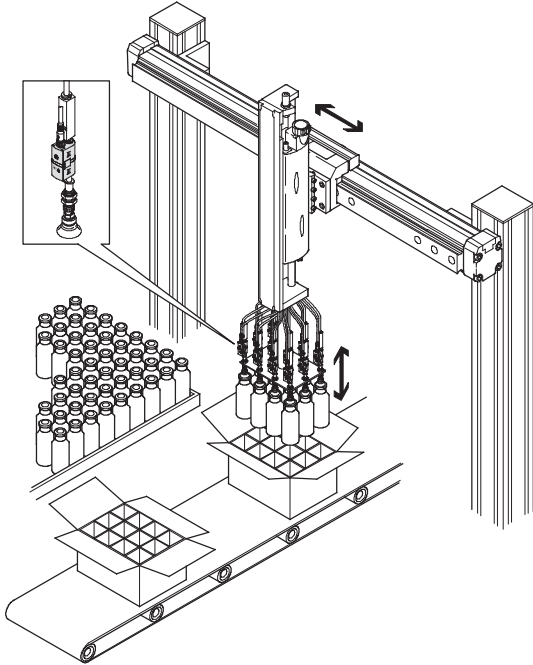
Pressure sensors SDE5

Key features

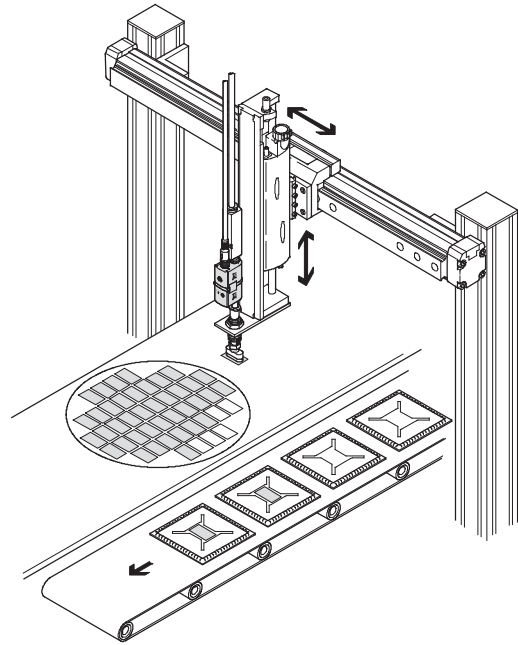
FESTO

Application examples

Vacuum monitoring

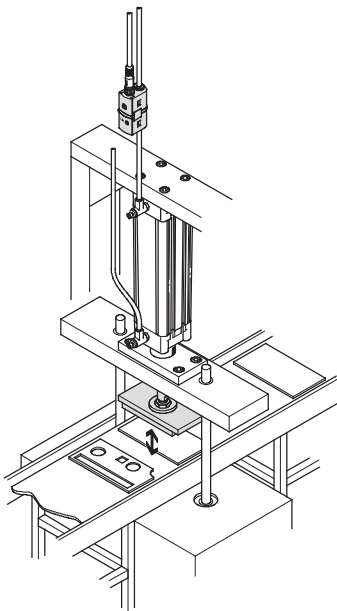


- Pressure sensor SDE5 in combination with a vacuum generator VN for vacuum monitoring in the handling of bottles

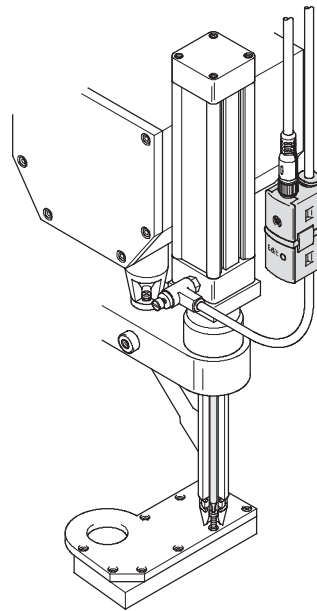


- Pressure sensor SDE5 as suction monitoring in the handling of small parts, such as computer chips

Pressure monitoring



- Pressure sensor SDE5 as pressure monitor for the pressing in of punched parts

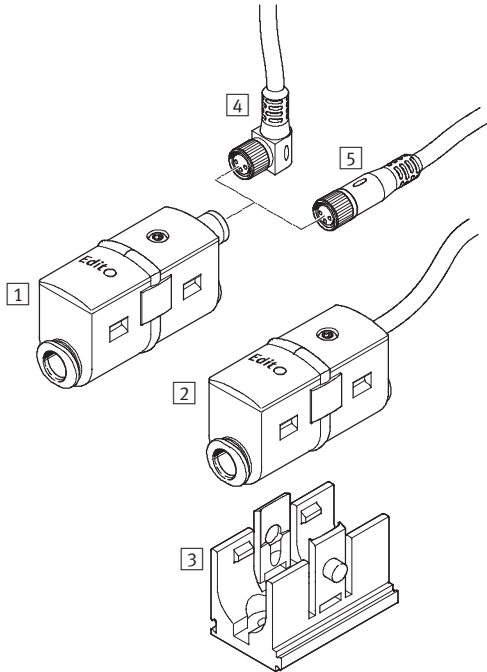


- Pressure sensor SDE5 as “in-line variant” for pressure range monitoring on a compressed air screw driver

Pressure sensors SDE5

Peripherals overview

Peripherals overview



Mounting attachments and accessories		→ Page/Internet
1	Pressure sensor SDE5-...-M8, plug version	6
2	Pressure sensor SDE5-...-K, cable version	6
3	Wall bracket (included in scope of delivery)	-
4	Connecting cable NEBU-M8W3 with angled plug socket	11
5	Connecting cable NEBU-M8G3 with straight plug socket	11

Pressure sensors SDE5

Type codes

SDE5 - D10 Z - FP - Q6 - P - M8

Type	
SDE5	Pressure sensor

Pressure measuring range	
V1	0 ... -1 bar
D2	0 ... +2 bar
D10	0 ... +10 bar

Pressure input	
	Relative pressure
Z	Differential pressure

Output function	
Freely programmable	
FP	Selectable
Threshold value with fixed hysteresis, 1 teach-in pressure	
O	N/O contact
C	N/C contact
Threshold value with fixed hysteresis, 2 teach-in pressures	
O1	N/O contact
Threshold value with variable hysteresis, 2 teach-in pressures	
O2	N/O contact
Window comparator with fixed hysteresis, 2 teach-in pressures	
O3	N/O contact
C3	N/C contact
Analogue output (no binary switching function)	
NF	Analogue output 0 ... 10 V

Pneumatic connection	
Push-in connector at both ends	
Q4	For tubing O.D. 4 mm
Q6	For tubing O.D. 6 mm
Push-in connector at one end	
Q4E	For tubing O.D. 4 mm
Q6E	For tubing O.D. 6 mm
T14E	For tubing O.D. 1/4"

Electrical output	
P	1 switching output PNP
N	1 switching output NPN
V	1 analogue output 0 ... 10 V

Electrical connection	
K	Cable, 2.5 m long, 3-wire
M8	Plug, M8x1, 3-pin

Additional variants can be ordered using the modular system → 10

- Pressure measuring range
- Pneumatic connection
- X teach-in point permanently set
- Y teach-in point permanently set
- Output function
- Electrical accessories

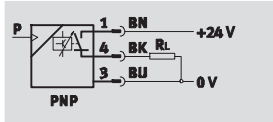
Pressure sensors SDE5

Technical data

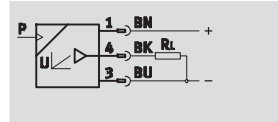
FESTO

Function

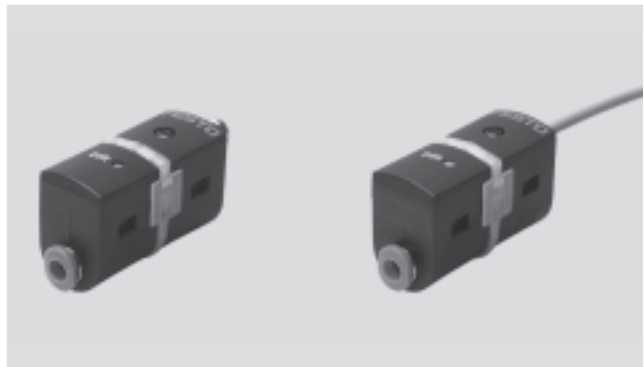
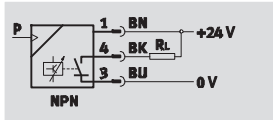
Switching output PNP



Analogue output



Switching output NPN



General technical data					
Type SDE5	-V1	-B2	-D2	-D6	-D10
General information					
Certification	C tick cULus recognized (OL)				
CE mark (see declaration of conformity)	To EU EMC Directive				
Note on materials	RoHS-compliant				
Input signal/measuring element					
Measured variable	Relative pressure Differential pressure				
Method of measurement	Piezoresistive pressure sensor				
Pressure measuring range [bar]	0 ... -1	-1 ... +1	0 ... +2	0 ... +6	0 ... +10
Operating medium	Compressed air in accordance with ISO 8573-1:2010 [7:4:4]				
Note on operating/pilot medium	Operation with lubricated medium possible (in which case lubricated operation will always be required)				
Temperature of medium [°C]	0 ... +50				
Ambient temperature [°C]	0 ... +50				

Electrical data		
Output, general ¹⁾		
Repetition accuracy ±FS	[%]	0.3
Temperature coefficient ±FS/K	[%]	0.05
Switching output		
Accuracy	[%]	0.5
Switching output ±FS ¹⁾		
Switching output		PNP NPN
Switching function		Freely programmable (switching/teach-in function, N/O contact, N/C contact) Threshold value with fixed hysteresis Threshold value with variable hysteresis Window comparator with fixed hysteresis
Switching element function		N/C contact N/O contact Switchable
Max. output current	[mA]	100
Voltage drop	[V]	Max. 1.8
Inductive protective circuit		Adapted to MZ, MY, ME coils
Analogue output		
Output characteristic curve	[V]	0 ... 10
Accuracy	[%]	3 (ambient temperature 20 ... +25 °C) 4 (ambient temperature 0 ... +50 °C)
Analogue output ±FS ¹⁾		
Linearity error ±FS ¹⁾	[%]	0.3

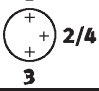
1) % FS = % of the measuring range final value (full-scale)

Pressure sensors SDE5

Technical data

FESTO

Electrical data	
Output, additional data	
Protection against short circuit	Yes
Electronics	
Operating voltage range DC [V]	15 ... 30
Protection against polarity reversal	For all electrical connections
Electromechanics	
Electrical connection	Plug M8x1, 3-pin, round design, to EN 60947-5-2 Cable 2.5 m. 3-wire, to EN 60947-5-2

Pin allocation		
Plug, M8x1, 3-pin	Pin	Meaning
	1	Operating voltage +24 V DC
	2/4	Switching output or analogue output
	3	0 V

Mechanics	
Type of mounting	Via accessories
Mounting position	Any
Pneumatic connection	QS-4
	QS-6
	QS-1/4"
	QS-5/32"
Product weight [g]	19 (plug version) 47 (cable version)
	Product weight of wall bracket [g]
Material of housing	PA
	POM

Display/operation	
Switching output	
Switching status display	Yellow LED
Threshold value setting range [%]	0 ... 100
Analogue output	
Ready status display	Green LED

Immissions/emissions	
Storage temperature [°C]	-20 ... +80
Protection class	IP40
Electrical protection class	III
Corrosion resistance class CRC ¹⁾	2

1) Corrosion resistance class 2 according to Festo standard 940 070
Components subject to moderate corrosion stress. Externally visible parts with primarily decorative surface requirements which are in direct contact with a normal industrial environment or media such as coolants or lubricating agents.

Pressure sensors SDE5

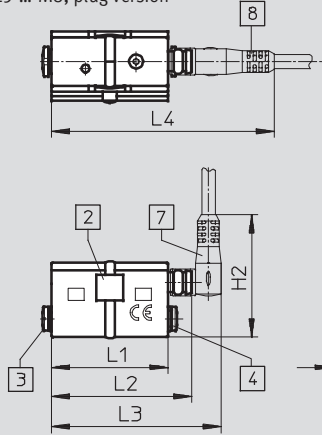
Technical data

FESTO

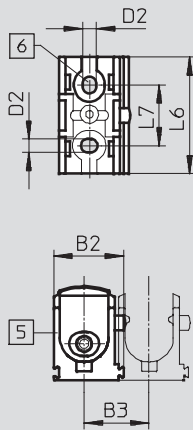
Dimensions

Download CAD Data → www.festo.com/us/cad

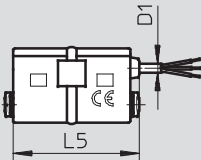
SDE5-...-M8, plug version



SDE5 with wall bracket



SDE5-...-K, cable version



- 1 Plug M8x1, 3-pin or cable, 3-wire, 2.5 m long
- 2 LED display, visible from all sides
- 3 Pneumatic connection 1
- 4 Pneumatic connection 2 or blanking plug with SDE5-...E
- 5 Holder for wall mounting (included in scope of delivery)
- 6 2x through-hole for mounting screw
- 7 Connecting cable NEBU-M8W3 with angled plug socket
- 8 Connecting cable NEBU-M8G3 with straight plug socket

Type	B1	B2	B3	D1	D2	H1	H2	L1	L2	L3	L4	L5	L6	L7
SDE5-...-M8	16	23	21.4	-	4.5	24.5	40.3	38.5	45.5	56	73.5	-	38.5	20
SDE5-...-K				2.9			-		-	-	41.5			

Ordering data – Measured variable differential pressure

Pressure measuring range [bar]	Switching element function	Electrical output	Electrical connection	Pneumatic connection		Part No.	Type
				At one end	At both ends		
Freely programmable (switching/teach-in function, N/O contact, N/C contact)							
0 ... +10	Switchable	Switching output PNP	Plug, M8x1, 3-pin	-	QS-6	567460	SDE5-D10Z-FP-Q6-P-M8
Threshold value with fixed hysteresis, 1 teach-in pressure							
0 ... +10	N/O contact	Switching output PNP	Plug, M8x1, 3-pin	-	QS-6	567462	SDE5-D10Z-O-Q6-P-M8

Pressure sensors SDE5

Technical data

Ordering data – Measured variable relative pressure							
Pressure measuring range [bar]	Switching element function	Electrical output	Electrical connection	Pneumatic connection		Part No.	Type
				At one end	At both ends		
Freely programmable (switching/teach-in function, N/O contact, N/C contact)							
0 ... -1	Switchable	Switching output PNP	Plug, M8x1, 3-pin	-	QS-6	542887	SDE5-V1-FP-Q6-P-M8
0 ... +10	Switchable	Switching output PNP	Plug, M8x1, 3-pin	QS-4	-	542900	SDE5-D10-FP-Q4E-P-M8
				QS-6	-	542897	SDE5-D10-FP-Q6E-P-M8
				QS-1/4	-	567467	SDE5-D10-FP-T14E-P-M8
				-	QS-6	542898	SDE5-D10-FP-Q6-P-M8
			Cable, 3-wire	QS-4	-	542901	SDE5-D10-FP-Q4E-P-K
				-	QS-6	542899	SDE5-D10-FP-Q6-P-K
Threshold value with fixed hysteresis, 1 teach-in pressure							
0 ... -1	N/O contact	Switching output PNP	Plug, M8x1, 3-pin	QS-4	-	527460	SDE5-V1-O-Q4E-P-M8
				QS-6	-	527461	SDE5-V1-O-Q6E-P-M8
				-	QS-4	527457	SDE5-V1-O-Q4-P-M8
				-	QS-6	527458	SDE5-V1-O-Q6-P-M8
0 ... +2	N/O contact	Switching output PNP	Cable, 3-wire	QS-6	-	542888	SDE5-D2-O-Q6E-P-K
0 ... +10	N/O contact	Switching output PNP	Plug, M8x1, 3-pin	QS-4	-	527466	SDE5-D10-O-Q4E-P-M8
				QS-6	-	527467	SDE5-D10-O-Q6E-P-M8
				QS-1/4	-	567468	SDE5-D10-O-T14E-P-M8
				-	QS-4	527463	SDE5-D10-O-Q4-P-M8
			-	QS-6	527464	SDE5-D10-O-Q6-P-M8	
			Cable, 3-wire	QS-6	-	542890	SDE5-D10-O-Q6E-P-K
	Switching output NPN	Plug, M8x1, 3-pin	-	QS-6	567473	SDE5-D10-O-Q6-N-M8	
			Cable, 3-wire	-	QS-6	567469	SDE5-D10-O-Q6-N-K
N/C contact	Switching output PNP	Plug, M8x1, 3-pin	QS-4	-	542889	SDE5-D10-C-Q4E-P-M8	
			QS-6	-	542894	SDE5-D10-C-Q6E-P-M8	
			Cable, 3-wire	QS-6	-	542895	SDE5-D10-C-Q6E-P-K
Threshold value with fixed hysteresis, 2 teach-in pressures with mean value calculation							
0 ... -1	N/O contact	Switching output PNP	Plug, M8x1, 3-pin	-	QS-6	542886	SDE5-V1-O1-Q6-P-M8
Threshold value with variable hysteresis, 2 teach-in pressures							
0 ... +10	N/O contact	Switching output PNP	Plug, M8x1, 3-pin	QS-6	-	542891	SDE5-D10-O2-Q6E-P-M8
				-	QS-6	542892	SDE5-D10-O2-Q6-P-M8
Window comparator with fixed hysteresis, 2 teach-in pressures							
0 ... +10	N/O contact	Switching output PNP	Cable, 3-wire	QS-6	-	542893	SDE5-D10-O3-Q6E-P-K
	N/C contact	Switching output PNP	Cable, 3-wire	QS-6	-	542896	SDE5-D10-C3-Q6E-P-K
Analogue output (no binary switching function)							
0 ... -1	-	Analogue output 0 ... 10 V	Plug, M8x1, 3-pin	QS-6	-	567463	SDE5-V1-NF-Q6E-V-M8
				-	QS-6	567464	SDE5-V1-NF-Q6-V-M8
			Cable, 3-wire	QS-6	-	567470	SDE5-V1-NF-Q6E-V-K
0 ... +10	-	Analogue output 0 ... 10 V	Plug, M8x1, 3-pin	QS-6	-	567465	SDE5-D10-NF-Q6E-V-M8
				-	QS-6	567466	SDE5-D10-NF-Q6-V-M8
			Cable, 3-wire	QS-6	-	567471	SDE5-D10-NF-Q6E-V-K
				-	QS-6	567472	SDE5-D10-NF-Q6-V-K

Pressure sensors SDE5

Ordering data – Modular products



Ordering table				
Size	5	Conditions	Code	Enter code
M Module No.	529027			529027
Function	Pressure sensor		SDE5	SDE5
Pressure measuring range [bar]	0 ... -1		-V1	
	-1 ... 1		-B2	
	0 ... 2		-D2	
	0 ... 6		-D6	
	0 ... 10		-D10	
Pressure input	Relative pressure			
	Differential pressure		Z	
Output function	Freely programmable (switching/teach-in function, N/O contact, N/C contact)		-FP	
	Threshold value with fixed hysteresis, 1 teach-in point, N/O contact		-O	
	Threshold value with fixed hysteresis, 1 teach-in point, N/C contact		-C	
	Threshold value with fixed hysteresis, 2 teach-in points, N/O contact		-O1	
	Threshold value with fixed hysteresis, 2 teach-in points, N/C contact		-C1	
	Threshold value with variable hysteresis, N/O contact		-O2	
	Threshold value with variable hysteresis, N/C contact		-C2	
	Window comparator with fixed hysteresis, N/O contact		-O3	
	Window comparator with fixed hysteresis, N/C contact		-C3	
	No binary switching function (analogue output)		-NF	
Pneumatic connection	Push-in connector 4 mm, at both ends		-Q4	
	Push-in connector 6 mm, at both ends		-Q6	
	Push-in connector $5/32"$, at both ends		-T532	
	Push-in connector $1/4"$, at both ends		-T14	
	Push-in connector 4 mm, at one end	4	-Q4E	
	Push-in connector 6 mm, at one end	4	-Q6E	
	Push-in connector $5/32"$, at one end	4	-T532E	
	Push-in connector $1/4"$, at one end	4	-T14E	
Electrical output	1 switching output PNP	5	-P	
	1 switching output NPN	5	-N	
	1 analogue output 0 ... 10 V	6	-V	
Electrical connection	Cable, 2.5 m		-K	
	Plug M8, 3-pin		-M8	
O Electrical accessories	Connecting cable, straight socket, 2.5 m	1	-G	
	Connecting cable, angled socket, 2.5 m	1	-W	
	Connecting cable, straight socket, 5 m	1	-G5	
	Connecting cable, angled socket, 5 m	1	-W5	
X teach-in point permanently set in bar	-0.85 ... 10 ¹	2	-...X	
X teach-in point negative	Negative range	7	V	
Y teach-in point permanently set in bar	-0.85 ... 10 ¹	2 3	-...Y	
Y teach-in point negative	Negative range	8	V	

- 1** **G, W, G5, W5** Only in combination with M8
- 2** **X, Y** Not in combination with FP, O1, C1, NF
Must have a value if O2, C2, O3, C3 and X or Y was selected
Only one decimal place permissible in combination with D10
Sensor without Edit button, switching point cannot be changed
- 3** **Y** Not in combination with O, C
- 4** **Q4E, Q6E, T532E, T14E**
Not in combination with pressure input Z
- 5** **P, N** Not in combination with output function NF
- 6** **V** Only in combination with output function NF
- 7** **V** Only in combination with B2 and X teach-in point in the negative range, but then mandatory entry
- 8** **V** Only in combination with B2 and Y teach-in point in the negative range, but then mandatory entry

1) Permitted value range. The value for the permanently set teach-in point must always be within the chosen pressure measuring range V1, B2, D2, D6, D10.
Note on V1: Enter the teach-in pressure without a sign.
Note on B2: Enter the teach-in pressure for vacuum without a sign, but with a suffixed "V", see **7** or **8**.

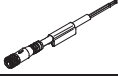

Transfer order code

529027 **SDE5** - - - - - - - - - - - -

Pressure sensors SDE5

Accessories

FESTO

Ordering data – Connecting cable NEBU-M8					Technical data → Internet: nebu	
	Electrical connection	Number of wires	Cable length [m]	Order code ¹⁾	Part No.	Type
	M8x1, straight plug socket	3	2.5	G	541333	NEBU-M8G3-K-2.5-LE3
		3	5	G5	541334	NEBU-M8G3-K-5-LE3
	M8x1, angled plug socket	3	2.5	W	541338	NEBU-M8W3-K-2.5-LE3
		3	5	W5	541341	NEBU-M8W3-K-5-LE3

1) When ordering using the modular system → 10

Product Range and Company Overview

A Complete Suite of Automation Services

Our experienced engineers provide complete support at every stage of your development process, including: conceptualization, analysis, engineering, design, assembly, documentation, validation, and production.



Custom Automation Components
Complete custom engineered solutions



Custom Control Cabinets
Comprehensive engineering support and on-site services



Complete Systems
Shipment, stocking and storage services

The Broadest Range of Automation Components

With a comprehensive line of more than 30,000 automation components, Festo is capable of solving the most complex automation requirements.



Electromechanical
Electromechanical actuators, motors, controllers & drives



Pneumatics
Pneumatic linear and rotary actuators, valves, and air supply



PLCs and I/O Devices
PLC's, operator interfaces, sensors and I/O devices

Supporting Advanced Automation... As No One Else Can!

Festo is a leading global manufacturer of pneumatic and electromechanical systems, components and controls for industrial automation, with more than 12,000 employees in 56 national headquarters serving more than 180 countries. For more than 80 years, Festo has continuously elevated the state of manufacturing with innovations and optimized motion control solutions that deliver higher performing, more profitable automated manufacturing and processing equipment. Our dedication to the advancement of automation extends beyond technology to the education and development of current and future automation and robotics designers with simulation tools, teaching programs, and on-site services.

Quality Assurance, ISO 9001 and ISO 14001 Certifications

Festo Corporation is committed to supply all Festo products and services that will meet or exceed our customers' requirements in product quality, delivery, customer service and satisfaction.

To meet this commitment, we strive to ensure a consistent, integrated, and systematic approach to management that will meet or exceed the requirements of the ISO 9001 standard for Quality Management and the ISO 14001 standard for Environmental Management.



© Copyright 2008, Festo Corporation. While every effort is made to ensure that all dimensions and specifications are correct, Festo cannot guarantee that publications are completely free of any error, in particular typing or printing errors. Accordingly, Festo cannot be held responsible for the same. For Liability and Warranty conditions, refer to our "Terms and Conditions of Sale", available from your local Festo office. All rights reserved. No part of this publication may be reproduced, distributed, or transmitted in any form or by any means, electronic, mechanical, photocopying or otherwise, without the prior written permission of Festo. All technical data subject to change according to technical update.



Printed on recycled paper at New Horizon Graphic, Inc., FSC certified as an environmentally friendly printing plant.

Festo North America

Festo Regional Contact Center

5300 Explorer Drive
Mississauga, Ontario L4W 5G4
Canada

USA Customers:

For ordering assistance,

Call: 1.800.99.FESTO (1.800.993.3786)

Fax: 1.800.96.FESTO (1.800.963.3786)

Email: customer.service@us.festo.com

For technical support,

Call: 1.866.GO.FESTO (1.866.463.3786)

Fax: 1.800.96.FESTO (1.800.963.3786)

Email: product.support@us.festo.com

Canadian Customers:

Call: 1.877.GO.FESTO (1.877.463.3786)

Fax: 1.877.FX.FESTO (1.877.393.3786)

Email: festo.canada@ca.festo.com

USA Headquarters

Festo Corporation
395 Moreland Road
P.O. Box 18023
Hauppauge, NY 11788, USA
www.festo.com/us

USA Sales Offices

Appleton

North 922 Tower View Drive, Suite N
Greenville, WI 54942, USA

Boston

120 Presidential Way, Suite 330
Woburn, MA 01801, USA

Chicago

1441 East Business Center Drive
Mt. Prospect, IL 60056, USA

Dallas

1825 Lakeway Drive, Suite 600
Lewisville, TX 75057, USA

Detroit – Automotive Engineering Center

2601 Cambridge Court, Suite 320
Auburn Hills, MI 48326, USA

New York

395 Moreland Road
Hauppauge, NY 11788, USA

Silicon Valley

4935 Southfront Road, Suite F
Livermore, CA 94550, USA

United States



USA Headquarters, East: Festo Corp., 395 Moreland Road, Hauppauge, NY 11788

Phone: 1.631.435.0800; Fax: 1.631.435.8026;

Email: info@festo-usa.com

www.festo.com/us

Canada



Headquarters: Festo Inc., 5300 Explorer Drive, Mississauga, Ontario L4W 5G4

Phone: 1.905.624.9000; Fax: 1.905.624.9001;

Email: festo.canada@ca.festo.com

www.festo.ca

Mexico



Headquarters: Festo Pneumatic, S.A., Av. Ceylán 3, Col. Tequesquahuac,
54020 Tlalneantla, Edo. de México

Phone: 011 52 [55] 53 21 66 00; Fax: 011 52 [55] 53 21 66 65;

Email: festo.mexico@mx.festo.com

www.festo.com/mx

Central USA

Festo Corporation
1441 East Business
Center Drive
Mt. Prospect, IL 60056, USA
Phone: 1.847.759.2600
Fax: 1.847.768.9480



Western USA

Festo Corporation
4935 Southfront Road,
Suite F
Livermore, CA 94550, USA
Phone: 1.925.371.1099
Fax: 1.925.245.1286



Festo Worldwide

Argentina Australia Austria Belarus Belgium Brazil Bulgaria Canada Chile China Colombia Croatia Czech Republic Denmark
Estonia Finland France Germany Great Britain Greece Hong Kong Hungary India Indonesia Iran Ireland Israel Italy Japan Latvia
Lithuania Malaysia Mexico Netherlands New Zealand Norway Peru Philippines Poland Romania Russia Serbia Singapore
Slovakia Slovenia South Africa South Korea Spain Sweden Switzerland Taiwan Thailand Turkey Ukraine United States Venezuela

www.festo.com