

Vision sensors SBI

FESTO



Vision sensors SBSI

Key features

Vision sensors SBSI

The vision sensors SBSI are an easy first step into a vision system and can be used to read 1D/2D codes or for quality inspection, depending on the model. Their impressive features include intuitive software for easy parameterisation, even with no expert knowledge, and powerful, fast

detection algorithms. The lighting and lens are already integrated into the compact IP67 housing, designed for use in harsh industrial environments. If necessary, external lights, SBAL, can be connected directly to the vision sensor.

- All-in-one device with integrated lens, lighting, evaluation and communication
- Simple user interface, just 3 or 4 steps to a solution
- Powerful and fast software tools
- External lights SBAL can be connected directly, Festo plug & work

Code reader SBSI-B

→ Page 6

The range of code readers SBSI-B is designed especially for reading 1D barcodes and 2D matrix codes. The powerful algorithms have no problem with even hard-to-read, directly-

marked codes (e.g. dot-peened or laser-machined onto metal). Where multiple codes are included in the image, up to 10 codes can be read at a time.

- Reading 1D bar codes: EAN, code 39, code 128, ...
- Reading 2D matrix codes: DMC ECC200, QR code, PDF 417
- Reading directly marked codes
- Multi-code: reading up to 10 codes at once

Object sensor SBSI-Q

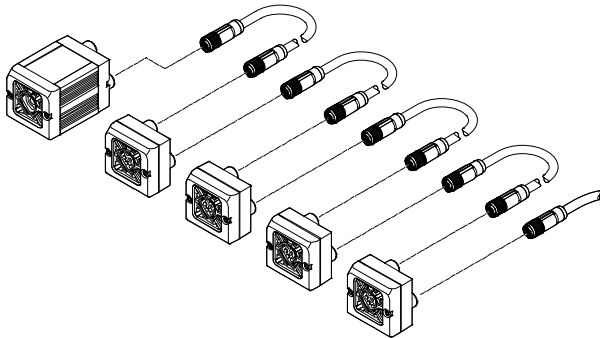
→ Page 9

With the range of object sensors SBSI-Q, checking product quality is child's play. It is very easy to inspect an item for alignment/orientation and check it is complete/present, for example. If the parts are not being

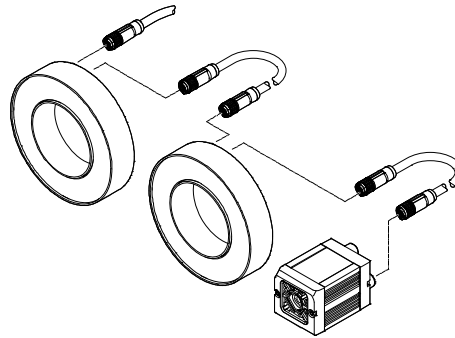
fed in the correct position, a powerful tracking algorithm is available which flexibly detects the position and 360° rotary orientation of the parts and automatically aligns the other detection tools.

- Easy quality inspection
- 360° position tracking
- Fast and powerful detection algorithms

Connection of external area lights SBAL-C6-A to the vision sensor SBSI. Up to 4 area lights can be connected directly to the SBSI.



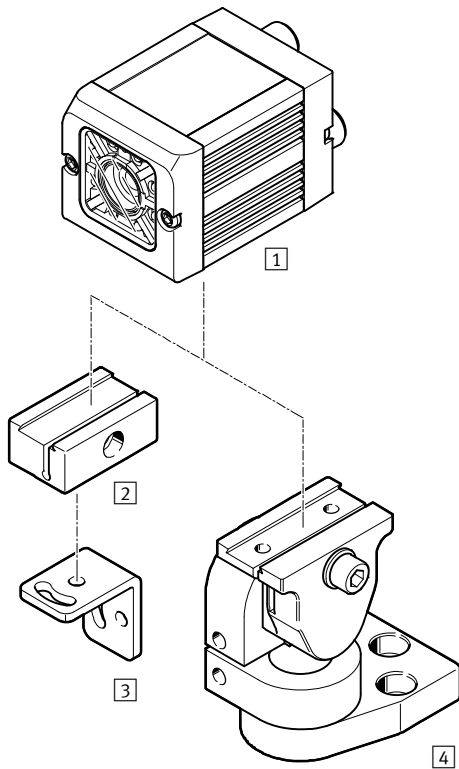
Connection of external ring lights SBAL-C6-R to the vision sensor SBSI. Up to 2 ring lights can be connected directly to the SBSI.



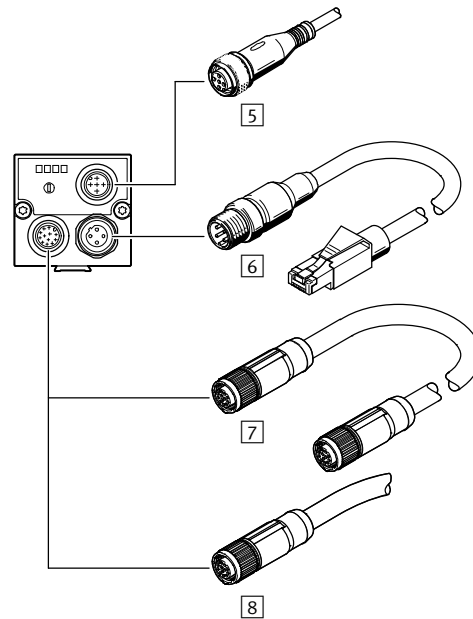
Vision sensors SBSI

Peripherals overview

Mechanical connection options

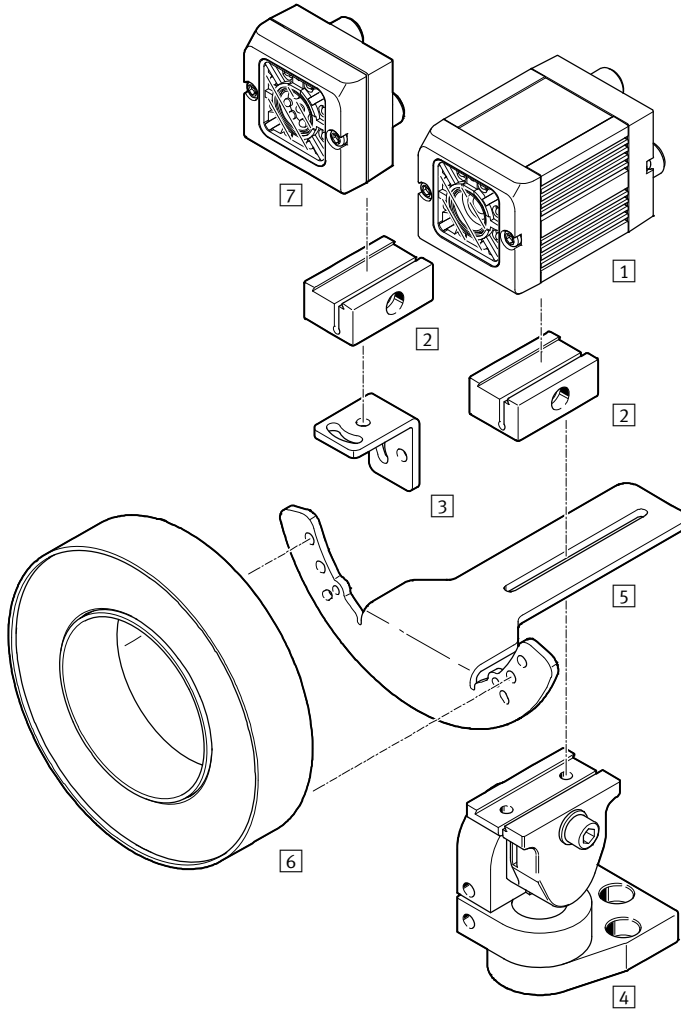


Electrical connection options



Mounting components and connecting cables			
	Brief description	→ Page	
1	Vision sensor SBSI-...	Vision sensor SBSI with integrated lens and lighting in code reader SBSI-B-... or object sensor SBSI-Q-... versions	6, 9
2	Mounting SBAM-C6-CP	Clamp fitting with dovetail slot	18
3	Mounting bracket SBAM-C6-A	Mounting bracket 90°. Adjustment option with 2 levels	18
4	Swivel mounting SBAM-C6-A2	Clamp fitting with dovetail slot. Can be turned and rotated around 2 axes	19
5	Connecting cable NEBS-M12G5-KS-...-LE12	Serial data cable (M12, 5-pin on open end); length 5 m or 10 m (code reader only)	20
6	Connecting cable NEBC-D12G4-KS-...-R3G4	Ethernet cable (M12, 4-pin on RJ45); length 3 m or 10 m	20
7	Connecting cable NEBS-M12G12-KS-...-SM12G12	Cable for connecting the external lights SBAL (M12, 12-pin on M12, 12-pin); length 0.5 m or 2 m	20
8	Connecting cable NEBS-M12G12-KS-...-LE12	Cable for power supply and digital I/Os (M12, 12-pin on open end); length 5 m or 10 m	20

Mechanical connection options with external lighting

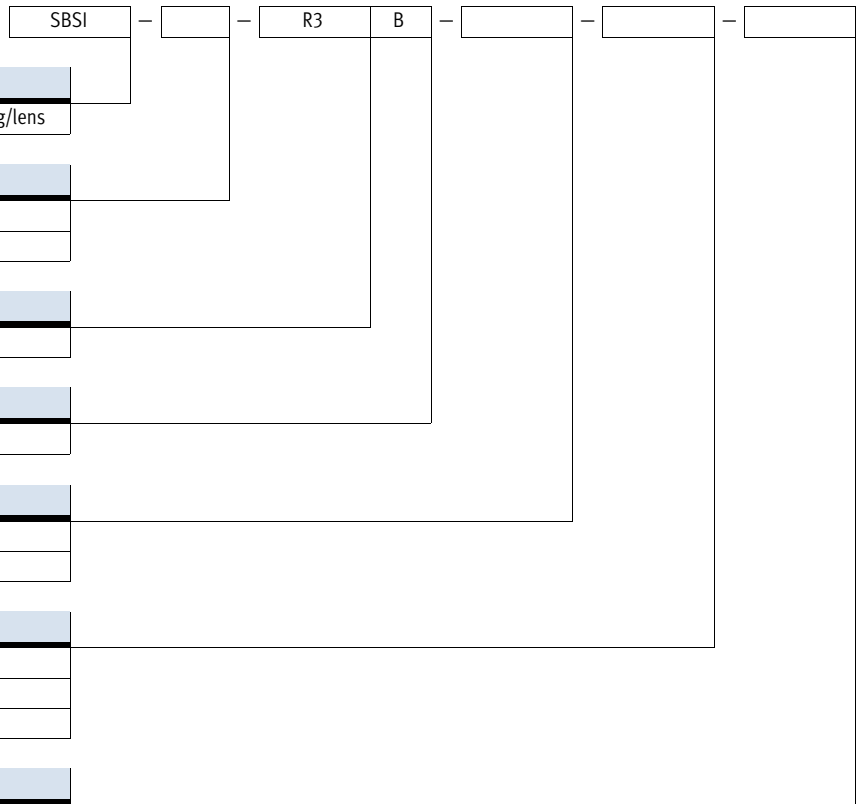


Mounting components and accessories		
	Brief description	→ Page
1	Vision sensor SBSI-... Vision sensor SBSI with integrated lens and lighting in code reader SBSI-B-... or object sensor SBSI-Q-... versions	6, 9
2	Mounting SBAM-C6-CP Clamp fitting with dovetail slot	18
3	Mounting bracket SBAM-C6-A Mounting bracket 90°. Adjustment option with 2 levels	18
4	Swivel mounting SBAM-C6-A2 Clamp fitting with dovetail slot. Can be turned and rotated around 2 axes	19
5	Retainer SBAM-C7-A For ring light SBAL-C6-R-...-D	19
6	Ring light SBAL-C6-R-...-D Type of light: LED, diffuse. Colours white, red and infrared	16
7	Area light SBAL-C6-A-... Type of light: LED, clear. Colours white, red and infrared	14

Vision sensors SBSI

Type codes

SBSI



Basic version

SBSI	Vision sensor with integrated lighting/lens
------	---

Function

B	Code reader
Q	Object sensor

Image sensor – Resolution

R3	736 x 480 pixels (Wide VGA)
----	-----------------------------

Image sensor – Monochrome/colour

B	Monochrome
---	------------

Integrated lens – Focal length

F6	6 mm
F12	12 mm

Integrated lighting – Colour

W	White
R	Red
NR	Infrared



Additional features

	Without
D	Increased depth of field

Vision sensors SBSI

Technical data – Code reader SBSI-B

FESTO

-  Voltage
19.2 ... 30 V DC
-  Temperature range
0 ... +55 °C



General technical data		
Type	SBSI-B-R3B-F6-...	SBSI-B-R3B-F12-...
Sensor resolution	736 x 480 pixels (Wide VGA)	
Sensor type	Monochrome	
Focus setting	With adjusting screw	
Lens mounting	Integrated lens	
Lighting type	Integrated	
Frame rate (full image) [fps]	50	
Max. number of test programs/jobs	8	
Focal length [mm]	6	12
Field of view [mm]	Min. 5 x 4	Min. 8 x 6
Working distance [mm]	6 - infinite	30 - infinite
Max. number of test criteria/detectors	2	
Function of detectors/characteristics	2/5 Industrial	
	2/5 Interleaved	
	Codabar	
	Code 128	
	Code 39	
	Code 93	
	EAN	
	ECC200	
	GS1	
	PDF 417	
	Pharmacode	
	QR code	
	RSS	
UPC		
Typical cycle time [ms]	1D barcode: 30	
	2D code: 40	
Dimensions W x L x H [mm]	45 x 45 x 76.7	
Product weight [g]	160	
Information on housing materials	Anodised aluminium	
Information on cover materials	ABS reinforced	
Note on materials	RoHS compliant	

Vision sensors SBSI

Technical data – Code reader SBSI-B

FESTO

Ethernet interface	
Information on Ethernet, connection technology	M12 socket, 4-pin
Ethernet, transmission speed	100 Mbit/s
Ethernet, supported protocols	TCP/IP, Ethernet/IP, FTP, SMB, PROFINET

Serial interface	
Serial interface, connection technology	Plug connector, M12, 5-pin
Type of serial interface	RS232/RS422

Digital inputs, outputs and power supply	
Electrical connection	Plug connector, M12, 12-pin
Number of digital inputs	2
Number of digital outputs	4
Number of selectable digital inputs/outputs	2
Switching input	PNP/NPN (switchable)
Switching level [V]	Signal 0: ≤ 3 Signal 1: $\geq U_B - 1$
Switching output	PNP/NPN, switchable
Max. output current [mA]	50
Protection against short circuit	For all electrical connections
Nominal operating voltage [V DC]	24
Permissible voltage fluctuations [%]	-25 ... +10
Max. current consumption [mA]	550
Current consumption with load-free outputs [mA]	200

Operating and environmental conditions	
Ambient temperature [°C]	0 ... +50
Storage temperature [°C]	-20 ... +60
Degree of protection	IP67
Vibration resistance	To EN 60068-2-6
Resistance to shocks	Shock test with severity level 2 to FN 942017-5 and EN 60068-2-27
CE marking (see declaration of conformity)	To EU EMC Directive ²⁾
Certification	c UL us - listed (OL)
	RCM trademark

2) For information about the applicability of the component see the manufacturer's EC declaration of conformity at: www.festo.com/sp → User documentation.
If the component is subject to restrictions on usage in residential, office or commercial environments or small businesses, further measures to reduce the emitted interference may be necessary.

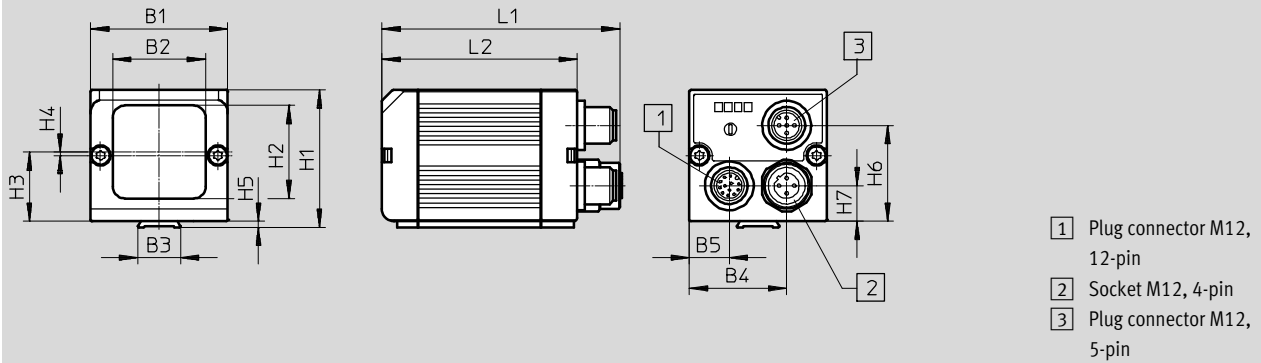
Vision sensors SBSI

Technical data – Code reader SBSI-B

FESTO

Dimensions

Download CAD data → www.festo.com





Type	B1	B2	B3	B4	B5	H1	H2	H3	H4	H5	H6	H7	L1	L2
SBSI-B-R3B-F-...	45	30.5	14	31.9	13.1	45	30.5	22.7	1.2	2	31.4	11.6	76.7	64

Ordering data

Code reader	Integrated lens – Focal length [mm]	Additional features	Type of light: LED	Part No.	Type
	6	–	White	2930232	SBSI-B-R3B-F6-W
	12	–	White	2930233	SBSI-B-R3B-F12-W
	6	Increased depth of field	White	2930242	SBSI-B-R3B-F6-W-D
	12	Increased depth of field	White	2930243	SBSI-B-R3B-F12-W-D
	6	–	Red	2930234	SBSI-B-R3B-F6-R
	12	–	Red	2930235	SBSI-B-R3B-F12-R
	6	Increased depth of field	Red	2930236	SBSI-B-R3B-F6-R-D
	12	Increased depth of field	Red	2930237	SBSI-B-R3B-F12-R-D
	6	–	Infrared	2930238	SBSI-B-R3B-F6-NR
	12	–	Infrared	2930239	SBSI-B-R3B-F12-NR
	6	Increased depth of field	Infrared	2930240	SBSI-B-R3B-F6-NR-D
	12	Increased depth of field	Infrared	2930241	SBSI-B-R3B-F12-NR-D

Vision sensors SBSI

Technical data – Object sensor SBSI-Q

-  Voltage
19.2 ... 30 V DC
-  Temperature range
0 ... +55 °C



General technical data		
Type	SBSI-Q-R3B-F6-...	SBSI-Q-R3B-F12-...
Sensor resolution	736 x 480 pixels (Wide VGA)	
Sensor type	Monochrome	
Focus setting	With adjusting screw	
Lens mounting	Integrated lens	
Lighting type	Integrated	
Frame rate (full image) [fps]	50	
Max. number of test programs/jobs	8	
Focal length [mm]	6	12
Field of view [mm]	Min. 5 x 4	Min. 8 x 6
Working distance [mm]	6 - infinite	30 - infinite
Max. number of test criteria/detectors	32	
Function of detectors/characteristics	Grey value threshold	
	Brightness	
	Contrast	
	Contour matching	
	Position tracking via contour	
	Pattern matching	
Typical cycle time		
Grey value threshold [ms]	4	
Brightness [ms]	2	
Contrast [ms]	4	
Contour matching [ms]	30	
Position tracking [ms]	30	
Pattern matching [ms]	20	
Dimensions W x L x H [mm]	45 x 45 x 76.7	
Product weight [g]	160	
Information on housing materials	Anodised aluminium	
Information on cover materials	ABS reinforced	
Note on materials	RoHS compliant	

Vision sensors SBSI

Technical data – Object sensor SBSI-Q

FESTO

Ethernet interface	
Information on Ethernet, connection technology	M12 socket, 4-pin
Ethernet, transmission speed	100 Mbit/s
Ethernet, supported protocols	TCP/IP, Ethernet/IP, FTP, SMB, PROFINET

Digital inputs/outputs and power supply	
Electrical connection	Plug connector, M12, 12-pin
Number of digital inputs	2
Number of digital outputs	4
Number of selectable digital inputs/outputs	2
Switching input	PNP/NPN (switchable)
Switching level [V]	Signal 0: ≤ 3 Signal 1: $\geq U_B - 1$
Switching output	PNP/NPN, switchable
Max. output current [mA]	50
Protection against short circuit	For all electrical connections
Nominal operating voltage [V DC]	24
Permissible voltage fluctuations [%]	-25 ... +10
Max. current consumption [mA]	550
Current consumption with load-free outputs [mA]	200

Operating and environmental conditions	
Ambient temperature [°C]	0 ... +50
Storage temperature [°C]	-20 ... +60
Degree of protection	IP67
Vibration resistance	To EN 60068-2-6
Resistance to shocks	Shock test with severity level 2 to FN 942017-5 and EN 60068-2-27
CE marking (see declaration of conformity)	To EU EMC Directive ²⁾
Certification	c UL us - listed (OL) RCM trademark

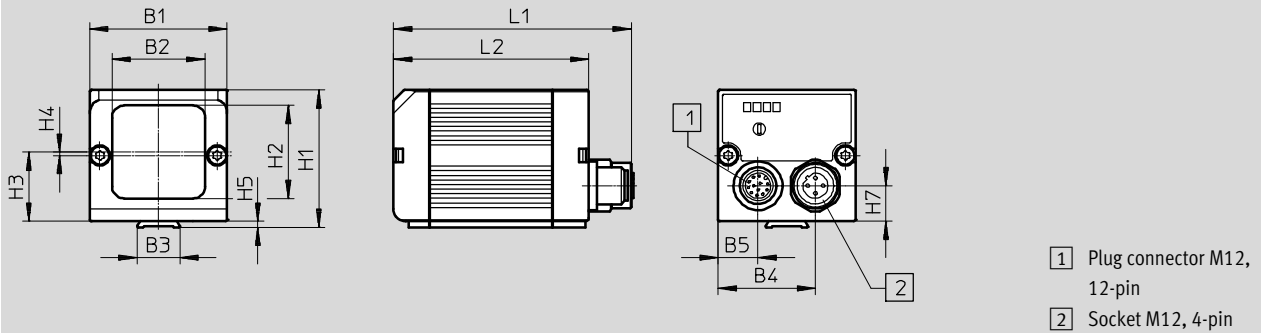
- 2) For information about the applicability of the component see the manufacturer's EC declaration of conformity at: www.festo.com/sp → User documentation.
If the component is subject to restrictions on usage in residential, office or commercial environments or small businesses, further measures to reduce the emitted interference may be necessary.

Vision sensors SBSI

Technical data – Object sensor SBSI-Q

Dimensions

Download CAD data → www.festo.com



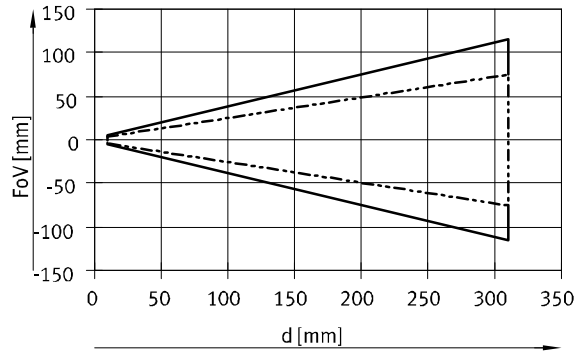
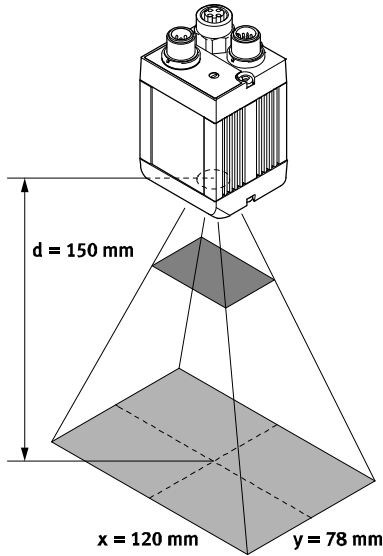
Type	B1	B2	B3	B4	B5	H1	H2	H3	H4	H5	H7	L1	L2
SBSI-Q-R3B-F- ...	45	30.5	14	31.9	13.1	45	30.5	22.7	1.2	2	11.6	76.7	64

Ordering data

	Focal length [mm]	Type of light: LED	Part No.	Type
	6	White	2942261	SBSI-Q-R3B-F6-W
	12	White	2942262	SBSI-Q-R3B-F12-W
	6	Infrared	2942265	SBSI-Q-R3B-F6-NR
	12	Infrared	2942266	SBSI-Q-R3B-F12-NR

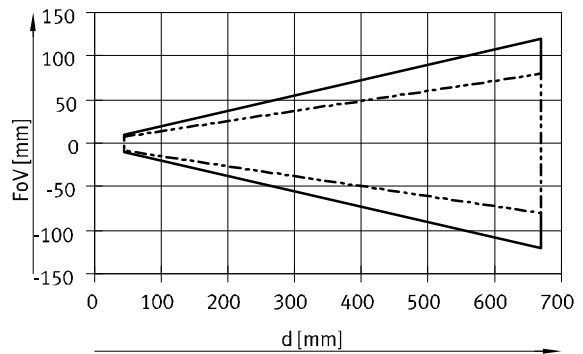
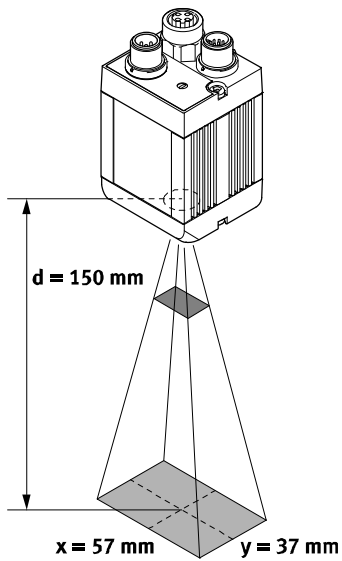
Integrated lenses – Fields of view

Field of view (6 mm focal length)



— X-axis
 - - - Y-axis
 d = Working distance
 FoV = Field of view

Field of view (12 mm focal length)



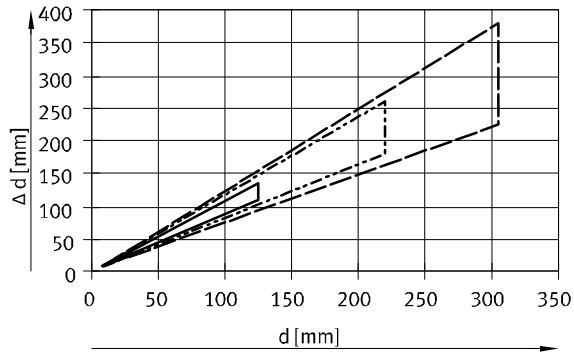
— X-axis
 - - - Y-axis
 d = Working distance
 FoV = Field of view

Vision sensors SBSI

Technical data

Approximate reading areas with respect to module size/bar width of codes

Normal depth of field (6 mm)



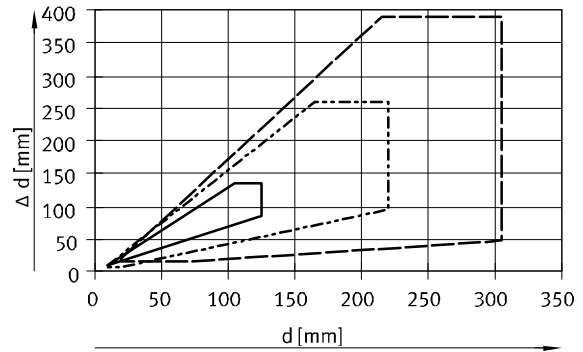
Module size/bar width of code:

- 0.25 mm
- - - 0.50 mm
- · - 0.75 mm

d = Working distance

Δ d = Depth of field

Increased depth of field (6 mm)



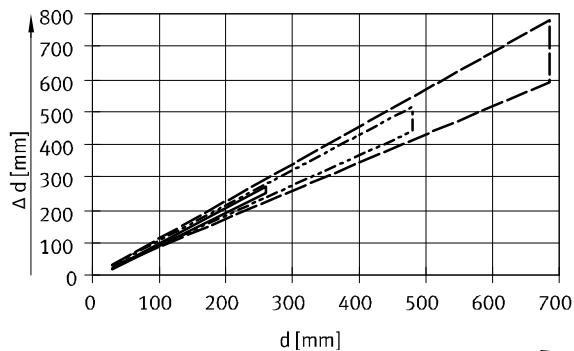
Module size/bar width of code:

- 0.25 mm
- - - 0.50 mm
- · - 0.75 mm

d = Working distance

Δ d = Depth of field

Normal depth of field (12 mm)



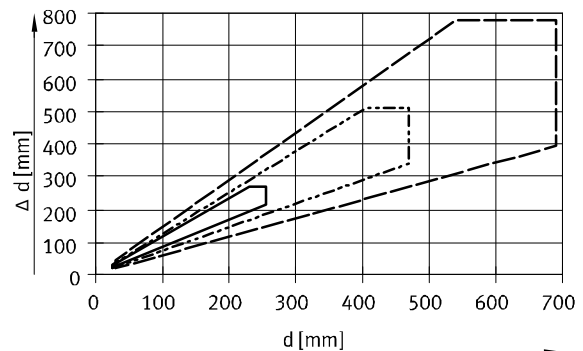
Module size/bar width of code:

- 0.25 mm
- - - 0.50 mm
- · - 0.75 mm

d = Working distance

Δ d = Depth of field

Increased depth of field (12 mm)



Module size/bar width of code:

- 0.25 mm
- - - 0.50 mm
- · - 0.75 mm



d = Working distance

Δ d = Depth of field

Vision sensors SBSI

Accessories

FESTO

-  Voltage
24 V DC
-  Temperature range
0 ... +50 °C



General technical data			
Area light	SBAL-C6-A-W	SBAL-C6-A-R	SBAL-C6-A-NR
Lighting type	Area light		
Type of light	LED, clear		
	White	Red	Infrared
Type of mounting	Clamped in dovetail slot		
	Via accessories		
Working distance [mm]	100 ... 300		
Electrical connection	2 x M12, plug connector 12-pin		
Maximum number of devices connectable in series (diagram)	4		
Reverse polarity protection	For all electrical connections		
Product weight [g]	60		
Information on housing materials	ABS reinforced		
Note on materials	RoHS compliant		
RoHS status	RoHS compliant in accordance with EU Directive		

Electrical data			
	SBAL-C6-A-W	SBAL-C6-A-R	SBAL-C6-A-NR
Nominal operating voltage [V DC]	24		
Permissible voltage fluctuations [%]	±10		
Trigger level	Level 10 V ... UB		
Residual ripple [%]	10		
Current consumption during continuous operation [mA]	80	80	90
Current consumption during flash operation [mA]	200	250	100

Operating and environmental conditions			
	SBAL-C6-A-W	SBAL-C6-A-R	SBAL-C6-A-NR
CE marking (see declaration of conformity)	To EU EMC Directive ²⁾		
Ambient temperature during continuous operation [°C]	0 ... +50		
Ambient temperature during flash operation [°C]	0 ... +50		
Storage temperature [°C]	-20 ... +60		
Degree of protection	IP67		
Approval certificate	RCM trademark		

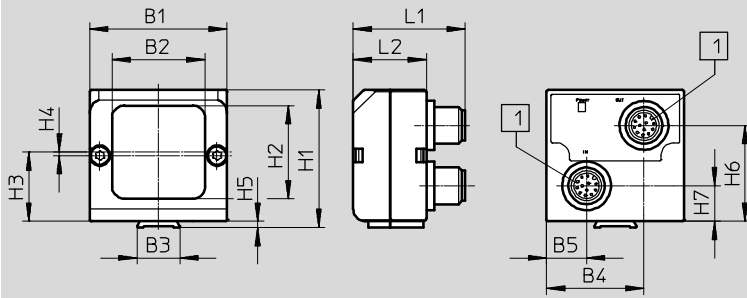
2) For information about the applicability of the component see the manufacturer's EC declaration of conformity at: www.festo.com/sp → User documentation.
If the component is subject to restrictions on usage in residential, office or commercial environments or small businesses, further measures to reduce the emitted interference may be necessary.

Vision sensors SBSI

Accessories

Dimensions


Download CAD data → www.festo.com



1 Plug connector M12, 12-pin

Type	B1	B2	B3	B4	B5	H1	H2	H3	H4	H5	H6	H7	L1	L2
SBAL-C6-A-W	45	30.5	14	31.9	13.1	45	30.5	22.7	1.2	2	31.4	11.6	36.7	24
SBAL-C6-A-R														
SBAL-C6-A-NR														

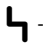

Ordering data

Type of light: LED, clear		Part No.	Type
	White	8031158	SBAL-C6-A-W
	Red	8031159	SBAL-C6-A-R
	Infrared	8031160	SBAL-C6-A-NR

Vision sensors SBSI

Accessories

FESTO

-  Voltage
24 V DC
-  Temperature range
0 ... +50 °C



General technical data			
Ring light	SBAL-C6-R-W-D	SBAL-C6-R-R-D	SBAL-C6-R-NR-D
Lighting type	Ring light		
Type of light	LED, diffuse		
	White	Red	Infrared
Type of mounting	Via mounting bracket		
Working distance [mm]	100 ... 300		
Electrical connection	2 x M12, plug connector 12-pin		
Maximum number of devices connectable in series (diagram)	2		
Reverse polarity protection	For all electrical connections		
Product weight [g]	150		
Information on housing materials	Anodised aluminium		
Note on materials	RoHS compliant		
RoHS status	RoHS compliant in accordance with EU Directive		

Electrical data			
	SBAL-C6-R-W-D	SBAL-C6-R-R-D	SBAL-C6-R-NR-D
Nominal operating voltage [V DC]	24		
Permissible voltage fluctuations [%]	±5		
Trigger level	Level 18 V ... UB		
Residual ripple [%]	5		
Current consumption during continuous operation [mA]	390	290	390
Current consumption during flash operation [mA]	390	290	390

Operating and environmental conditions			
	SBAL-C6-R-W-D	SBAL-C6-R-R-D	SBAL-C6-R-NR-D
CE marking (see declaration of conformity)	To EU EMC Directive ²⁾		
Ambient temperature during continuous operation [°C]	0 ... +35		
Ambient temperature during flash operation [°C]	0 ... +50		
Storage temperature [°C]	-20 ... +60		
Degree of protection	IP67		
Approval certificate	RCM trademark		

2) For information about the applicability of the component see the manufacturer's EC declaration of conformity at: www.festo.com/sp → User documentation.
If the component is subject to restrictions on usage in residential, office or commercial environments or small businesses, further measures to reduce the emitted interference may be necessary.

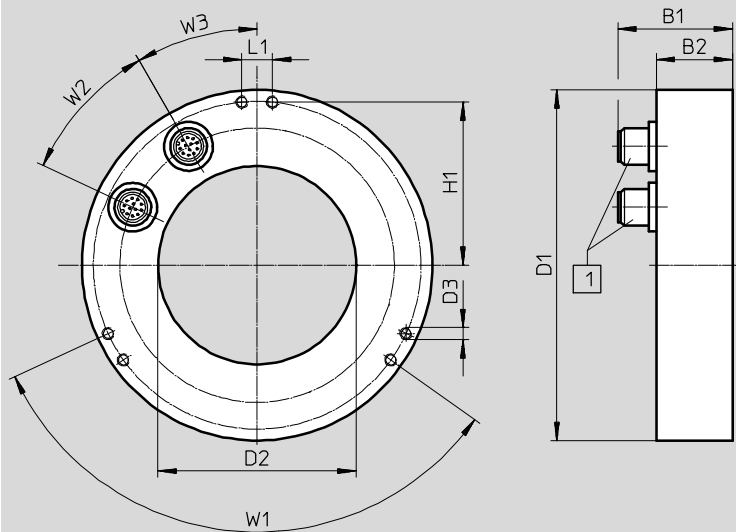
Vision sensors SBSI

Accessories

FESTO

Dimensions


Download CAD data → www.festo.com



1 Plug connector M12, 12-pin

Type	B1	B2	D1	D2	D3	H1	L1	W1	W2	W3
SBAL-C6-R...	37.7	25	115	65	M4	53.5	10	120°	35°	30°

Ordering data

	Type of light: LED, diffuse	Part No.	Type
	White	8031161	SBAL-C6-R-W-D
	Red	8031162	SBAL-C6-R-R-D
	Infrared	8031163	SBAL-C6-R-NR-D

Vision sensors SBSI

Accessories

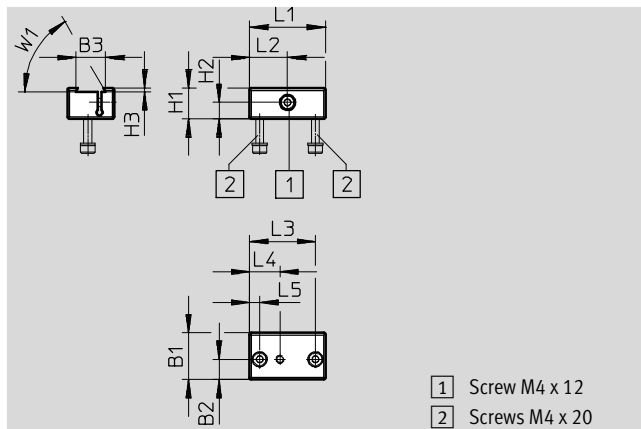


Mounting

Type of mounting: with dovetail slot, with thread

Information on materials: anodised aluminium

Note on materials: RoHS compliant



Dimensions [mm] and ordering data															Part No.	Type
B1	B2	B3	H1	H2	H3	L1	L2	L3	L4	L5	W1	Weight [g]	CRC ¹⁾	Part No.	Type	
23	10	14.5	15	8	1.8	37.4	18.7	32.4	15	5	60°	28	2	8031376	SBAM-C6-CP	

1) Corrosion resistance class CRC 2 to Festo standard FN 940070

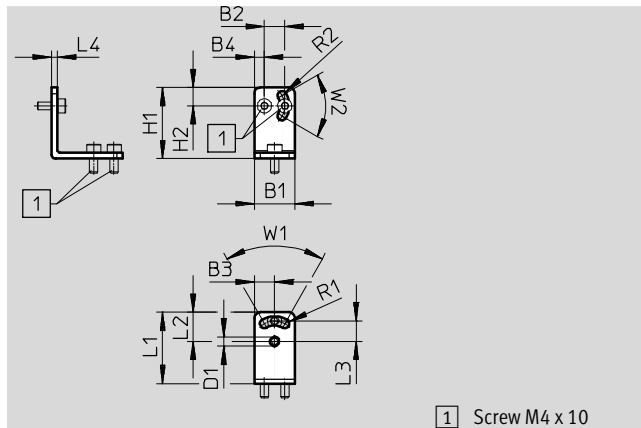
Moderate corrosion stress. Indoor applications in which condensation may occur. External visible parts with primarily decorative requirements for the surface and which are in direct contact with the ambient atmosphere typical for industrial applications.

Mounting bracket

Type of mounting: with through-hole

Information on materials: high-alloy steel

Note on materials: RoHS compliant



Dimensions [mm] and ordering data															Part No.	Type		
B1	B2	B3	B4	D1	H1	H2	L1	L2	L3	L4	R1	R2	W1	W2	Weight [g]	CRC ¹⁾	Part No.	Type
20	10	10	5	4.5	35	9	35	14.3	10	3	2.3	2.3	60°	60°	27	2	8031377	SBAM-C6-A

1) Corrosion resistance class CRC 2 to Festo standard FN 940070

Moderate corrosion stress. Indoor applications in which condensation may occur. External visible parts with primarily decorative requirements for the surface and which are in direct contact with the ambient atmosphere typical for industrial applications.

Vision sensors SBSI

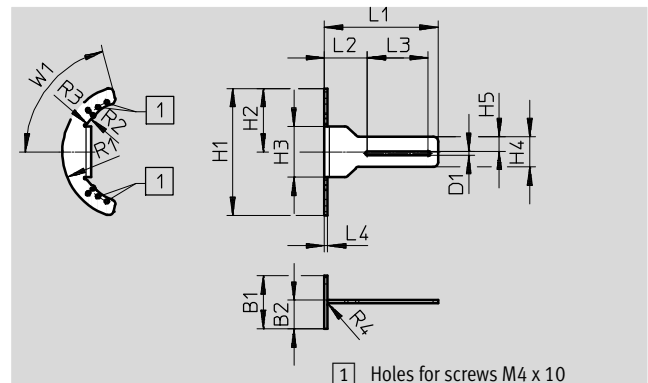
Accessories

Mounting bracket

Type of mounting: with through-hole

Information on materials: high-alloy steel

Note on materials: RoHS compliant



Dimensions [mm] and ordering data										
B1	B2	D1 ∅	H1	H2	H3	H4	H5	L1	L2	L3
52	28.2	4.2	124.9	62.4	50	30	14.4	112	42.1	60
L4	R1	R2	R3	R4	W1	Weight [g]	CRC ¹⁾	Part No.	Type	
3	66	50	2	2	75°	147	2	8031379	SBAM-C7-A	

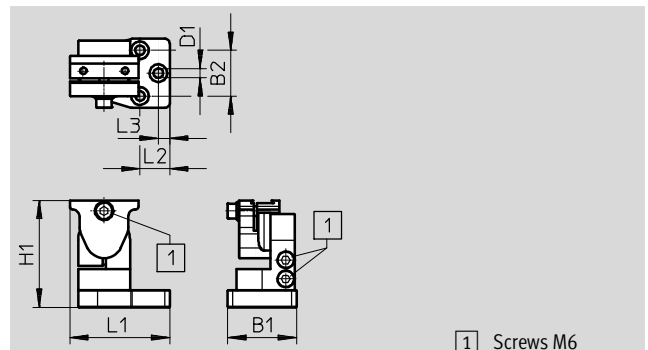
1) Corrosion resistance class CRC 2 to Festo standard FN 940070
Moderate corrosion stress. Indoor applications in which condensation may occur. External visible parts with primarily decorative requirements for the surface and which are in direct contact with the ambient atmosphere typical for industrial applications.

Swivel mounting

Type of mounting: with dove-tail slot, with through-hole

Information on materials: anodised aluminium

Note on materials: RoHS compliant



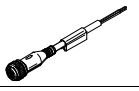
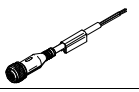
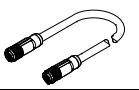
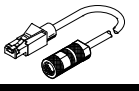
Dimensions [mm] and ordering data										
B1	B2	D1 ∅	H1	L1	L2	L3	Weight [g]	CRC ¹⁾	Part No.	Type
45	30	6.3	70	65.5	19.5	7.5	215	2	8031378	SBAM-C6-A2

1) Corrosion resistance class CRC 2 to Festo standard FN 940070
Moderate corrosion stress. Indoor applications in which condensation may occur. External visible parts with primarily decorative requirements for the surface and which are in direct contact with the ambient atmosphere typical for industrial applications.

Vision sensors SBSI

Accessories

FESTO

Ordering data			
	Description	Part No.	Type
Connecting cable		Technical data → Internet: nebs	
	Cable for power supply and digital I/Os (M12, 12-pin on open end); length 5 m or 10 m	3058614	NEBS-M12G12-KS-5-LE12
		2912452	NEBS-M12G12-KS-10-LE12
	Serial data cable (M12, 5-pin on open end); length 5 m or 10 m	8030962	NEBS-M12G5-KS-5-LE5
		8030963	NEBS-M12G5-KS-10-LE5
	Cable for connecting the external lights SBAL (M12, 12-pin on M12, 12-pin); length 0.5 m or 2 m	3056124	NEBS-M12G12-KS-0.5-SM12G12
		3058527	NEBS-M12G12-KS-2-SM12G12
Connecting cable		Technical data → Internet: nebc	
	Ethernet cable (M12, 4-pin on RJ45); length 3 m or 10 m	8031121	NEBC-D12G4-KS-3-R3G4
		8031122	NEBC-D12G4-KS-10-R3G4

Product Range and Company Overview

A Complete Suite and Company Overview

Our experienced engineers provide complete support at every stage of your development process, including: conceptualization, analysis, engineering, design, assembly, documentation, validation, and production.



Custom Automation Components
Complete custom engineered solutions



Custom Control Cabinets
Comprehensive engineering support and on-site services



Complete Systems
Shipment, stocking and storage services

The Broadest Range of Automation Components

With a comprehensive line of more than 30,000 automation components, Festo is capable of solving the most complex automation requirements.



Electromechanical
Electromechanical actuators, motors, controllers & drivers



Pneumatics
Pneumatic linear and rotary actuators, valves, and air supply



PLCs and I/O Devices
PLC's, operator interfaces, sensors and I/O devices

Supporting Advanced Automation... As No One Else Can!

Festo is a leading global manufacturer of pneumatic and electromechanical systems, components and controls for industrial automation, with more than 16,000 employees in 60 national headquarters serving more than 180 countries. For more than 80 years, Festo has continuously elevated the state of manufacturing with innovations and optimized motion control solutions that deliver higher performing, more profitable automated manufacturing and processing equipment. Our dedication to the advancement of automation extends beyond technology to the education and development of current and future automation and robotics designers with simulation tools, teaching programs, and on-site services.

Quality Assurance, ISO 9001 and ISO 14001 Certifications

Festo Corporation is committed to supply all Festo products and services that will meet or exceed our customers' requirements in product quality, delivery, customer service and satisfaction.

To meet this commitment, we strive to ensure a consistent, integrated, and systematic approach to management that will meet or exceed the requirements of the ISO 9001 standard for Quality Management and the ISO 14001 standard for Environmental Management.

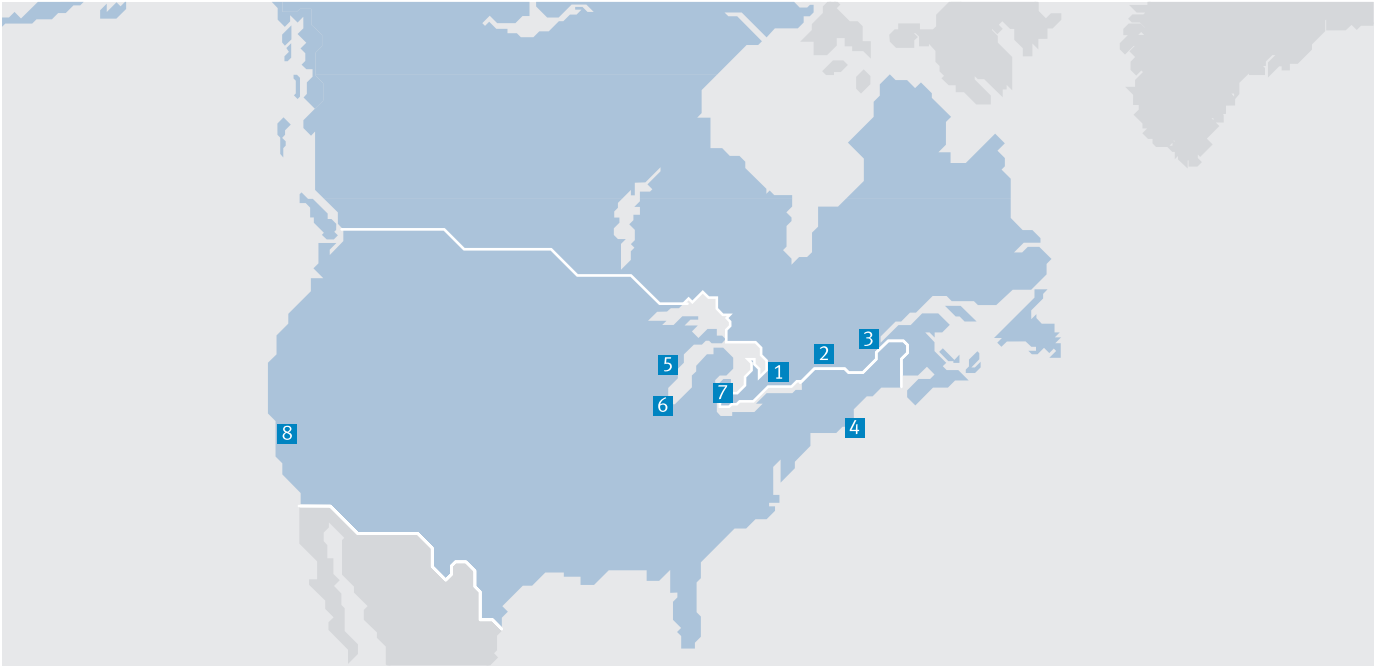


© Copyright 2013, Festo Corporation. While every effort is made to ensure that all dimensions and specifications are correct, Festo cannot guarantee that publications are completely free of any error, in particular typing or printing errors. Accordingly, Festo cannot be held responsible for the same. For Liability and Warranty conditions, refer to our "Terms and Conditions of Sale", available from your local Festo office. All rights reserved. No part of this publication may be reproduced, distributed, or transmitted in any form or by any means, electronic, mechanical, photocopying or otherwise, without the prior written permission of Festo. All technical data subject to change according to technical update.



Printed on recycled paper at New Horizon Graphic, Inc., FSC certified as an environmental friendly printing plant.

Festo North America



**1 Festo Canada
Headquarters
Festo Inc.**
5300 Explorer Drive
Mississauga, ON
L4W 5G4

2 Montréal
5600, Trans-Canada
Pointe-Claire, QC
H9R 1B6

3 Québec City
2930, rue Watt#117
Québec, QC
G1X 4G3



**4 Festo United States
Headquarters
Festo Corporation**
395 Moreland Road
Hauppauge, NY
11788

5 Appleton
North 922 Tower View Drive, Suite N
Greenville, WI
54942

7 Detroit
1441 West Long Lake Road
Troy, MI
48098

6 Chicago
85 W Algonquin - Suite 340
Arlington Heights, IL
60005

8 Silicon Valley
4935 Southfront Road, Suite F
Livermore, CA
94550

Festo Regional Contact Center

Canadian Customers

Commercial Support:
Tel: 1 877 GO FESTO (1 877 463 3786)
Fax: 1 877 FX FESTO (1 877 393 3786)
Email: festo.canada@ca.festo.com

Technical Support:
Tel: 1 866 GO FESTO (1 866 463 3786)
Fax: 1 877 FX FESTO (1 877 393 3786)
Email: technical.support@ca.festo.com

USA Customers

Commercial Support:
Tel: 1 800 99 FESTO (1 800 993 3786)
Fax: 1 800 96 FESTO (1 800 963 3786)
Email: customer.service@us.festo.com

Technical Support:
Tel: 1 866 GO FESTO (1 866 463 3786)
Fax: 1 800 96 FESTO (1 800 963 3786)
Email: product.support@us.festo.com