

Cartridge fittings QSP, Quick Star



Cartridge fittings QSP, Quick Star

Technical data

FESTO



Cartridge fittings QSP10

Operating medium:

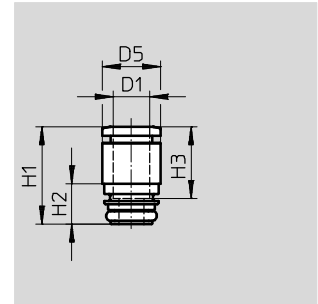
- Compressed air in accordance with ISO 8573-1:2010 [7:-:-]

Material:

- Housing: Nickel plated brass

-  - Ambient temperature 0 ... +60 °C
-  - Operating pressure -0.95 ... +10 bar

Certification:
Germanischer Lloyd



Dimensions and ordering data							
Tubing O.D.	D5	H1	H2	H3	Part No.	Type	PU ¹⁾
D1	∅						
4	9.8	16.2	6.7	11.6	172972	QSP10-4	10
6	9.8	16.2	6.7	11.9	172973	QSP10-6	10

1) Packaging unit quantity.



Cartridge fittings QSPKG10

Operating medium:

- Compressed air in accordance with ISO 8573-1:2010 [7:-:-]

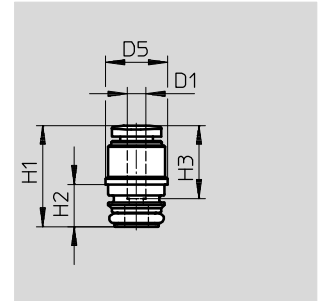
Material:

- Housing: Reinforced PA
- Release ring: POM
- Tubing seal: NBR
- Tube retaining claw: High-alloy stainless steel

-  - Ambient temperature -5 ... +60 °C
-  - Operating pressure -0.95 ... +10 bar

Note on materials:
Conforms to RoHS

Certification:
Germanischer Lloyd



Dimensions and ordering data										
Tubing O.D.	Nominal size	D5	H1	H2	H3	CRC ¹⁾	Weight/piece	Part No.	Type	PU ²⁾
D1	[mm]	∅					[g]			
3	1.6	9.75	16.1	6.7	11.6	1	1.5	132621	QSPKG10-3	10
4	2.3	9.75	16.1	6.7	11.6	1	1.4	132622	QSPKG10-4	10
6	3.7	10.55	18.1	6.7	11.9	1	1.8	132623	QSPKG10-6	10

- 1) Corrosion resistance class 1 to Festo standard 940 070
Components requiring low corrosion resistance. Transport and storage protection. Parts that do not have primarily decorative surface requirements, e.g. in internal areas that are not visible or behind covers.
- 2) Packaging unit quantity.

Cartridge fittings QSP, Quick Star


Technical data


Cartridge fittings QSPLKG10

Operating medium:
 – Compressed air in accordance with ISO 8573-1:2010 [7:--:-]

Material:

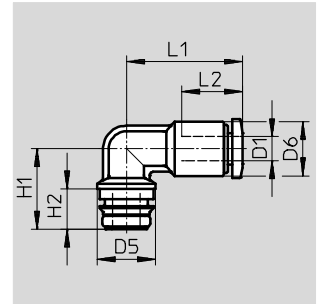
- Housing: Reinforced PA
- Release ring: POM
- Tubing seal: NBR
- Tube retaining claw: High-alloy stainless steel

-  - Ambient temperature
 –5 ... +60 °C

-  - Operating pressure
 –0,95 ... +10 bar

Note on materials:
 Conforms to RoHS

Certification:
 Germanischer Lloyd



Dimensions and ordering data												
Tubing O.D.	Nominal size	D5	D6	H1	H2	L1	L2	CRC ¹⁾	Weight/piece	Part No.	Type	PU ²⁾
D1	[mm]	∅	∅						[g]			
3	1.8	9.75	9.4	13.4	6.7	18.2	11.6	1	2.1	132853	QSPLKG10-3	10
4	2.3	9.75	9.4	13.4	6.7	18.2	11.6	1	2	132920	QSPLKG10-4	10
6	3.3	9.75	10.55	14.4	6.7	19.8	11.9	1	2.7	132921	QSPLKG10-6	10


- 1) Corrosion resistance class 1 to Festo standard 940 070
 Components requiring low corrosion resistance. Transport and storage protection. Parts that do not have primarily decorative surface requirements, e.g. in internal areas that are not visible or behind covers.
- 2) Packaging unit quantity.


Cartridge fittings QSPLLKG10

Operating medium:
 – Compressed air in accordance with ISO 8573-1:2010 [7:--:-]

Material:

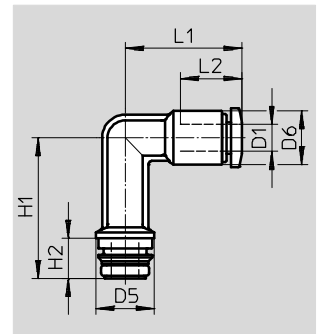
- Housing: Reinforced PA
- Release ring: POM
- Tubing seal: NBR
- Tube retaining claw: High-alloy stainless steel

-  - Ambient temperature
 –5 ... +60 °C

-  - Operating pressure
 –0,95 ... +10 bar

Note on materials:
 Conforms to RoHS

Certification:
 Germanischer Lloyd



Dimensions and ordering data												
Tubing O.D.	Nominal size	D5	D6	H1	H2	L1	L2	CRC ¹⁾	Weight/piece	Part No.	Type	PU ²⁾
D1	[mm]	∅	∅						[g]			
3	1.8	9.75	9.4	23.4	6.7	18.2	11.6	1	2.5	132861	QSPLLKG10-3	10
4	2.3	9.75	9.4	23.4	6.7	18.2	11.6	1	2.4	132925	QSPLLKG10-4	10
6	3.3	9.75	10.55	26.4	6.7	19.8	11.9	1	3.2	132926	QSPLLKG10-6	10

- 1) Corrosion resistance class 1 to Festo standard 940 070
 Components requiring low corrosion resistance. Transport and storage protection. Parts that do not have primarily decorative surface requirements, e.g. in internal areas that are not visible or behind covers.
- 2) Packaging unit quantity.

Cartridge fittings QSP, Quick Star

Technical data

FESTO



Cartridge fittings QSPK10

Operating medium:

- Compressed air in accordance with ISO 8573-1:2010 [7:--:-]

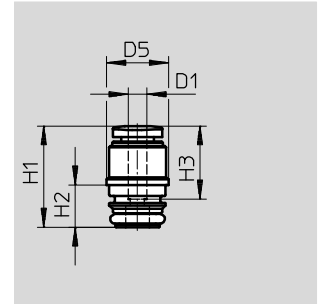
Material:

- Housing: Reinforced PA
- Release ring: POM
- Tubing seal: NBR
- Tube retaining claw: High-alloy stainless steel

-  - Ambient temperature
-5 ... +60 °C
-  - Operating pressure
-0.95 ... +10 bar

Note on materials:
Conforms to RoHS

Certification:
Germanischer Lloyd



Dimensions and ordering data

Tubing O.D.	Nominal size	D5	H1	H2	H3	CRC ¹⁾	Weight/piece	Part No.	Type	PU ²⁾
D1	[mm]	∅					[g]			
3	1.6	9.75	16.1	6.7	11.6	1	1.5	132978	QSPK10-3	10
4	2.3	9.75	16.1	6.7	11.6	1	1.4	132979	QSPK10-4	10
6	3.7	10.55	18.1	6.7	11.9	1	1.8	132980	QSPK10-6	10

1) Corrosion resistance class 1 to Festo standard 940 070

Components requiring low corrosion resistance. Transport and storage protection. Parts that do not have primarily decorative surface requirements, e.g. in internal areas that are not visible or behind covers.

2) Packaging unit quantity.



Cartridge fittings QSPLK10

Operating medium:

- Compressed air in accordance with ISO 8573-1:2010 [7:--:-]

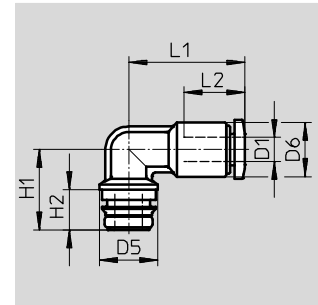
Material:

- Housing: Reinforced PA
- Release ring: POM
- Tubing seal: NBR
- Tube retaining claw: High-alloy stainless steel

-  - Ambient temperature
-5 ... +60 °C
-  - Operating pressure
-0.95 ... +10 bar

Note on materials:
Conforms to RoHS

Certification:
Germanischer Lloyd



Dimensions and ordering data

Tubing O.D.	Nominal size	D5	D6	H1	H2	L1	L2	CRC ¹⁾	Weight/piece	Part No.	Type	PU ²⁾
D1	[mm]	∅	∅						[g]			
4	2.3	9.75	9,4	13.4	6.7	19.4	19.4	1	2.1	132601	QSPLK10-4	10
6	3.5	9.75	11	14.4	6.7	20.3	11.9	1	2.8	132602	QSPLK10-6	10

1) Corrosion resistance class 1 to Festo standard 940 070

Components requiring low corrosion resistance. Transport and storage protection. Parts that do not have primarily decorative surface requirements, e.g. in internal areas that are not visible or behind covers.

2) Packaging unit quantity.

Cartridge fittings QSP, Quick Star

Technical data



Cartridge fittings QSPLLK10

Operating medium:

- Compressed air in accordance with ISO 8573-1:2010 [7:--:-]

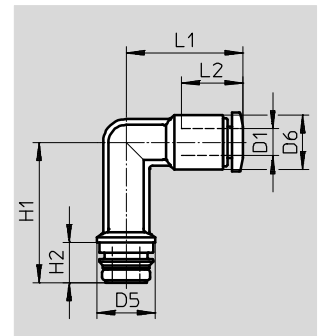
Material:

- Housing: Reinforced PA
- Release ring: POM
- Tubing seal: NBR
- Tube retaining claw: High-alloy stainless steel

-  - Ambient temperature
-5 ... +60 °C
-  - Operating pressure
-0.95 ... +10 bar

Note on materials:
Conforms to RoHS

Certification:
Germanischer Lloyd



Dimensions and ordering data													
Tubing O.D.	Nominal size	D5	D6	H1	H2	L1	L2	CRC ¹⁾	Weight/piece	Part No.	Type	PU ²⁾	
D1	[mm]	∅	∅						[g]				
4	2.3	9.75	9,4	23.4	6.7	19.4	11.6	1	2.4	132603	QSPLLK10-4		10
6	3.5	9.75	11	26.4	6.7	20.3	11.9	1	3.3	132604	QSPLLK10-6		10

1) Corrosion resistance class 1 to Festo standard 940 070
Components requiring low corrosion resistance. Transport and storage protection. Parts that do not have primarily decorative surface requirements, e.g. in internal areas that are not visible or behind covers.

2) Packaging unit quantity.

Cartridge fittings QSP, Quick Star

Technical data

FESTO



Cartridge fittings QSPKG14

Operating medium:

- Compressed air in accordance with ISO 8573-1:2010 [7:-:-]

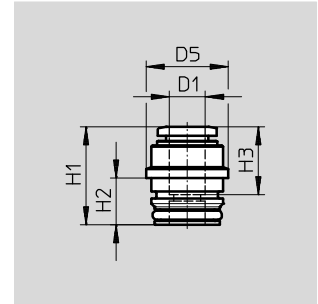
Material:

- Housing: Reinforced PA
- Release ring: POM
- Tubing seal: NBR
- Tube retaining claw: High-alloy stainless steel

-  - Ambient temperature
-5 ... +60 °C
-  - Operating pressure
-0.95 ... +10 bar

Note on materials:
Conforms to RoHS

Certification:
Germanischer Lloyd



Dimensions and ordering data

Tubing O.D.	Nominal size	D5	H1	H2	H3	CRC ¹⁾	Weight/piece	Part No.	Type	PU ²⁾
D1	[mm]	∅					[g]			
6	3.5	13.7	16.5	7.75	11.9	1	2.4	132930	QSPKG14-6	10
8	5.2	14.6	25.2	7.75	18.1	1	5.3	132931	QSPKG14-8	10

1) Corrosion resistance class 1 to Festo standard 940 070

Components requiring low corrosion resistance. Transport and storage protection. Parts that do not have primarily decorative surface requirements, e.g. in internal areas that are not visible or behind covers.

2) Packaging unit quantity.



Cartridge fittings QSPLKG14

Operating medium:

- Compressed air in accordance with ISO 8573-1:2010 [7:-:-]

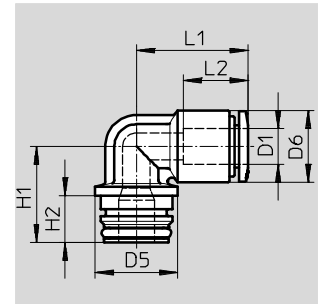
Material:

- Housing: Reinforced PA
- Release ring: POM
- Tubing seal: NBR
- Tube retaining claw: High-alloy stainless steel

-  - Ambient temperature
-5 ... +60 °C
-  - Operating pressure
-0.95 ... +10 bar

Note on materials:
Conforms to RoHS

Certification:
Germanischer Lloyd



Dimensions and ordering data

Tubing O.D.	Nominal size	D5	D6	H1	H2	L1	L2	CRC ¹⁾	Weight/piece	Part No.	Type	PU ²⁾
D1	[mm]	∅	∅						[g]			
6	3.3	13.7	11.9	16	7.75	18.8	11.9	1	3.5	132938	QSPLKG14-6	10
8	4.8	13.7	14.6	17.8	7.75	28.2	18.1	1	7.1	132939	QSPLKG14-8	10

1) Corrosion resistance class 1 to Festo standard 940 070

Components requiring low corrosion resistance. Transport and storage protection. Parts that do not have primarily decorative surface requirements, e.g. in internal areas that are not visible or behind covers.

2) Packaging unit quantity.

Cartridge fittings QSP, Quick Star

Technical data



Cartridge fittings QSPLLKG14

Operating medium:

- Compressed air in accordance with ISO 8573-1:2010 [7:-:-]

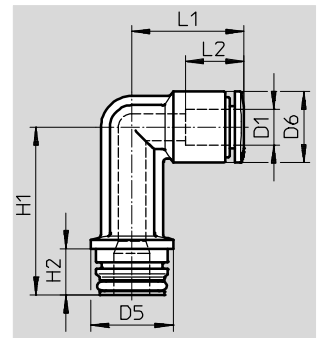
Material:

- Housing: Reinforced PA
- Release ring: POM
- Tubing seal: NBR
- Tube retaining claw: High-alloy stainless steel

- - Ambient temperature
-5 ... +60 °C
- - Operating pressure
-0.95 ... +10 bar

Note on materials:
Conforms to RoHS

Certification:
Germanischer Lloyd



Dimensions and ordering data

Tubing O.D.	Nominal size	D5	D6	H1	H2	L1	L2	CRC ¹⁾	Weight/piece	Part No.	Type	PU ²⁾
D1	[mm]	∅	∅						[g]			
6	3.4	13.7	11.9	28.0	7.75	18.8	11.9	1	4.0	132942	QSPLLKG14-6	10
8	4.7	13.7	14.6	33.3	7.75	28.2	18.1	1	8.1	132943	QSPLLKG14-8	10

1) Corrosion resistance class 1 to Festo standard 940 070

Components requiring low corrosion resistance. Transport and storage protection. Parts that do not have primarily decorative surface requirements, e.g. in internal areas that are not visible or behind covers.

2) Packaging unit quantity.

Cartridge fittings QSP, Quick Star

Technical data

Cartridge fittings QSPK18

Straight design

Material:

- Housing: Reinforced PA
- Release ring: POM (colour: blue)
- Tubing seal: NBR
- Tube retaining claw: High-alloy stainless steel

Note on materials:

Conforms to RoHS



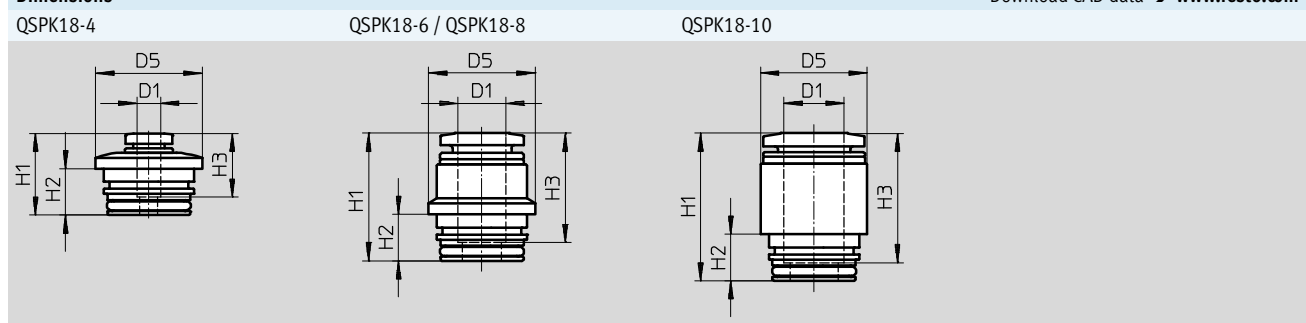
General technical data	
Design	Push-pull principle
Mounting position	Any
Type of seal on threaded plug	O-ring

Operating and environmental conditions	
Operating pressure for entire temperature range [bar]	-0.95 ... +10
Operating medium	Compressed air in accordance with ISO 8573-1:2010 [7:-:-]
Note on operating/pilot medium	Operation with lubricated medium possible
Ambient temperature [°C]	-5 ... +60
Corrosion resistance class CRC ¹⁾	1
Certification	Germanischer Lloyd

1) Corrosion resistance class CRC 1 to Festo standard FN 940070

Low corrosion stress. For dry indoor applications or transport and storage protection. Also applies to parts behind covers, in the non-visible interior area, and parts which are covered in the application (e.g. drive trunnions).

Dimensions Download CAD data → www.festo.com



Ordering data										
Pneumatic connection		Nominal size [mm]	D5 Ø	H1	H2	H3	Weight/ piece [g]	Part No.	Type	PU ¹⁾
Cartridge [mm]	For tubing O.D. D1 [mm]									
18	4	2.3	17.7	13.6	7.75	11.6	2.8	130839	QSPK18-4	10
	6	3.8	17.7	13.7	7.75	11.9	3	130840	QSPK18-6	10
	8	5.5	17.7	20.7	7.75	18.2	5.4	130841	QSPK18-8	10
	10	6.7	17.7	24.5	7.75	20.2	8.1	130842	QSPK18-10	10

1) Packaging unit quantity.

Cartridge fittings QSP, Quick Star

Technical data

FESTO

Cartridge fittings QSPLK18

L-shape

Material:

- Housing: Reinforced PA
- Release ring: POM (colour: blue)
- Tubing seal: NBR
- Tube retaining claw: High-alloy stainless steel

Note on materials:

Conforms to RoHS



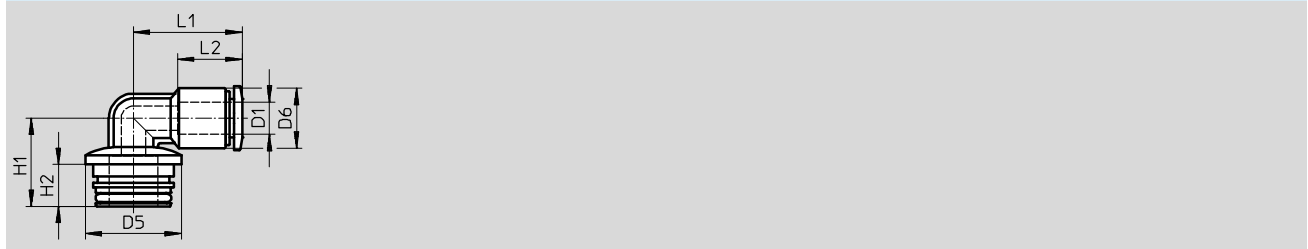
General technical data	
Design	Push-pull principle
Mounting position	Any
Type of seal on threaded plug	O-ring

Operating and environmental conditions	
Operating pressure for entire temperature range [bar]	-0.95 ... +10
Operating medium	Compressed air in accordance with ISO 8573-1:2010 [7:-:-]
Note on operating/pilot medium	Operation with lubricated medium possible
Ambient temperature [°C]	-5 ... +60
Corrosion resistance class CRC ¹⁾	1
Certification	Germanischer Lloyd

1) Corrosion resistance class CRC 1 to Festo standard FN 940070

Low corrosion stress. For dry indoor applications or transport and storage protection. Also applies to parts behind covers, in the non-visible interior area, and parts which are covered in the application (e.g. drive trunnions).

Dimensions Download CAD data → www.festo.com



Pneumatic connection		Nominal size [mm]	D5 ∅	D6 ∅	H1	H2	L1	L2	Weight/ piece [g]	Part No.	Type	PU ¹⁾
Cartridge [mm]	For tubing O.D. D1 [mm]											
18	4	2.3	17.7	9	15.3	7.75	19.4	11.6	3.2	130843	QSPLK18-4	10
	6	3.6	17.7	11	16.3	7.75	20.3	11.9	3.9	130844	QSPLK18-6	10
	8	5.2	17.7	15	18.3	7.75	27.2	18.2	7.5	130845	QSPLK18-8	10
	10	6.7	17.7	17.7	19.6	7.75	29.5	20.2	10.8	132639	QSPLK18-10	10

1) Packaging unit quantity.

Cartridge fittings QSP, Quick Star

Technical data

Cartridge fittings QSPLLK18

L-shape, long

Material:

- Housing: Reinforced PA
- Release ring: POM (colour: blue)
- Tubing seal: NBR
- Tube retaining claw: High-alloy stainless steel

Note on materials:

Conforms to RoHS



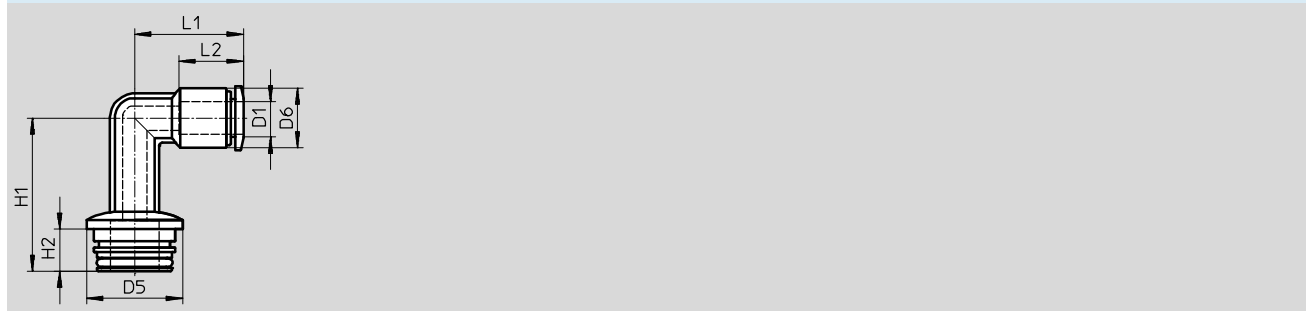
General technical data	
Design	Push-pull principle
Mounting position	Any
Type of seal on threaded plug	O-ring

Operating and environmental conditions	
Operating pressure for entire temperature range [bar]	-0.95 ... +10
Operating medium	Compressed air in accordance with ISO 8573-1:2010 [7:-:-]
Note on operating/pilot medium	Operation with lubricated medium possible
Ambient temperature [°C]	-5 ... +60
Corrosion resistance class CRC ¹⁾	1
Certification	Germanischer Lloyd

1) Corrosion resistance class CRC 1 to Festo standard FN 940070

Low corrosion stress. For dry indoor applications or transport and storage protection. Also applies to parts behind covers, in the non-visible interior area, and parts which are covered in the application (e.g. drive trunnions).

Dimensions Download CAD data → www.festo.com



Ordering data												
Pneumatic connection		Nominal size [mm]	D5 ∅	D6 ∅	H1	H2	L1	L2	Weight/ piece [g]	Part No.	Type	PU ¹⁾
Cartridge [mm]	For tubing O.D. D1 [mm]											
18	4	2.3	17.7	9	25.3	7.75	19.4	11.6	3.5	130846	QSPLLK18-4	10
	6	3.6	17.7	11	28.3	7.75	20.3	11.9	4.3	130847	QSPLLK18-6	10
	8	5.2	17.7	15	34.3	7.75	27.2	18.2	8.1	130848	QSPLLK18-8	10
	10	6.4	17.7	17.7	38.3	7.75	29.5	20.2	12	132640	QSPLLK18-10	10

1) Packaging unit quantity.

Cartridge fittings QSP, Quick Star

Technical data



Cartridge fittings QSPKG18

Operating medium:

- Compressed air in accordance with ISO 8573-1:2010 [7:--:-]

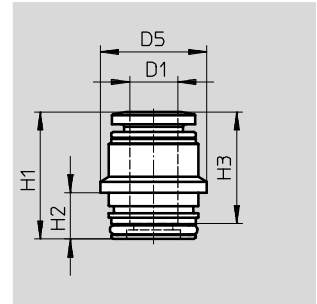
Material:

- Housing: Reinforced PA
- Release ring: POM
- Tubing seal: NBR
- Tube retaining claw: High-alloy stainless steel

-  - Ambient temperature -5 ... +60 °C
-  - Operating pressure -0.95 ... +10 bar

Note on materials:
Conforms to RoHS

Certification:
Germanischer Lloyd



Dimensions and ordering data										
Tubing O.D.	Nominal size	D5	H1	H2	H3	CRC ¹⁾	Weight/piece	Part No.	Type	PU ²⁾
D1	[mm]	∅					[g]			
8	5.5	17.7	20.7	7.75	18.2	1	5.4	132649	QSPKG18-8	10
10	6.7	17.7	24.5	7.75	20.2	1	8.1	132650	QSPKG18-10	10

- 1) Corrosion resistance class 1 to Festo standard 940 070
Components requiring low corrosion resistance. Transport and storage protection. Parts that do not have primarily decorative surface requirements, e.g. in internal areas that are not visible or behind covers.
- 2) Packaging unit quantity.



Cartridge fittings QSPLKG18

Operating medium:

- Compressed air in accordance with ISO 8573-1:2010 [7:--:-]

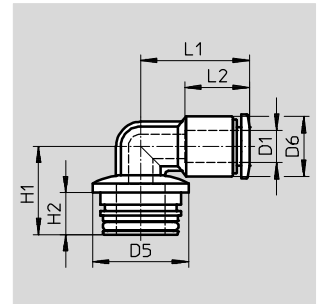
Material:

- Housing: Reinforced PA
- Release ring: POM
- Tubing seal: NBR
- Tube retaining claw: High-alloy stainless steel

-  - Ambient temperature -5 ... +60 °C
-  - Operating pressure -0.95 ... +10 bar

Note on materials:
Conforms to RoHS

Certification:
Germanischer Lloyd



Dimensions and ordering data												
Tubing O.D.	Nominal size	D5	D6	H1	H2	L1	L2	CRC ¹⁾	Weight/piece	Part No.	Type	PU ²⁾
D1	[mm]	∅	∅						[g]			
8	5.2	17.7	15	18.3	7.75	27.2	18.2	1	7.5	132946	QSPLKG18-8	10
10	6.7	17.7	17.7	19.6	7.75	29.5	20.2	1	10.8	132947	QSPLKG18-10	10

- 1) Corrosion resistance class 1 to Festo standard 940 070
Components requiring low corrosion resistance. Transport and storage protection. Parts that do not have primarily decorative surface requirements, e.g. in internal areas that are not visible or behind covers.
- 2) Packaging unit quantity.

Cartridge fittings QSP, Quick Star

Technical data

FESTO



Cartridge fittings QSPLLKG18

Operating medium:

- Compressed air in accordance with ISO 8573-1:2010 [7:-:-]

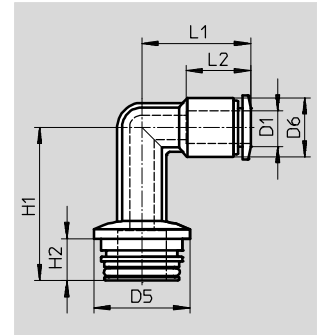
Material:

- Housing: Reinforced PA
- Release ring: POM
- Tubing seal: NBR
- Tube retaining claw: High-alloy stainless steel

-  - Ambient temperature
-5 ... +60 °C
-  - Operating pressure
-0.95 ... +10 bar

Note on materials:
Conforms to RoHS

Certification:
Germanischer Lloyd



Dimensions and ordering data

Tubing O.D.	Nominal size	D5	D6	H1	H2	L1	L2	CRC ¹⁾	Weight/piece	Part No.	Type	PU ²⁾
D1	[mm]	∅	∅						[g]			
8	5.2	17.7	15	18.3	7.75	27.2	18.2	1	8.1	132950	QSPLLKG18-8	10
10	6.4	17.7	17.7	19.6	7.75	29.5	20.2	1	12	132951	QSPLLKG18-10	10

1) Corrosion resistance class 1 to Festo standard 940 070

Components requiring low corrosion resistance. Transport and storage protection. Parts that do not have primarily decorative surface requirements, e.g. in internal areas that are not visible or behind covers.

2) Packaging unit quantity.

Cartridge fittings QSP, Quick Star

Technical data



Cartridge fittings QSPKG20

Operating medium:

- Compressed air in accordance with ISO 8573-1:2010 [7:-:-]

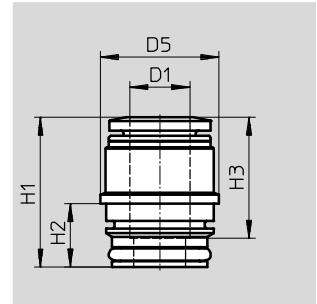
Material:

- Housing: Reinforced PA
- Release ring: POM
- Tubing seal: NBR
- Tube retaining claw: High-alloy stainless steel

-  - Ambient temperature
-5 ... +60 °C
-  - Operating pressure
-0.95 ... +10 bar

Note on materials:
Conforms to RoHS

Certification:
Germanischer Lloyd



Dimensions and ordering data										
Tubing O.D.	Nominal size	D5	H1	H2	H3	CRC ¹⁾	Weight/piece	Part No.	Type	PU ²⁾
D1	[mm]	∅					[g]			
8	5.4	19.75	19.1	10.6	18.1	1	6	132633	QSPKG20-8	10
10	6.4	19.75	25	10.6	20.2	1	9	132634	QSPKG20-10	10
12	8.3	21.1	32.7	10.6	23.4	1	13	132635	QSPKG20-12	10

- 1) Corrosion resistance class 1 to Festo standard 940 070
Components requiring low corrosion resistance. Transport and storage protection. Parts that do not have primarily decorative surface requirements, e.g. in internal areas that are not visible or behind covers.
- 2) Packaging unit quantity.



Cartridge fittings QSPLKG20

Operating medium:

- Compressed air in accordance with ISO 8573-1:2010 [7:-:-]

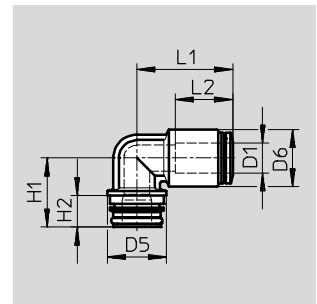
Material:

- Housing: Reinforced PA
- Release ring: POM
- Tubing seal: NBR
- Tube retaining claw: High-alloy stainless steel

-  - Ambient temperature
-5 ... +60 °C
-  - Operating pressure
-0.95 ... +10 bar

Note on materials:
Conforms to RoHS

Certification:
Germanischer Lloyd



Dimensions and ordering data												
Tubing O.D.	Nominal size	D5	D6	H1	H2	L1	L2	CRC ¹⁾	Weight/piece	Part No.	Type	PU ²⁾
D1	[mm]	∅	∅						[g]			
8	4.8	19.75	16.0	21.5	10.6	29.7	18.1	1	10	132855	QSPLKG20-8	10
10	6.1	19.75	19.0	23.0	10.6	32.0	20.2	1	14	132856	QSPLKG20-10	10
12	7.7	19.75	21.1	24.0	10.6	36.2	23.4	1	17	132857	QSPLKG20-12	10

- 1) Corrosion resistance class 1 to Festo standard 940 070
Components requiring low corrosion resistance. Transport and storage protection. Parts that do not have primarily decorative surface requirements, e.g. in internal areas that are not visible or behind covers.
- 2) Packaging unit quantity.

Cartridge fittings QSP, Quick Star

Technical data

FESTO



Cartridge fittings QSPLLKG20

Operating medium:

- Compressed air in accordance with ISO 8573-1:2010 [7:-:-]

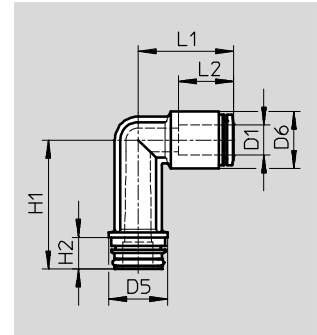
Material:

- Housing: Reinforced PA
- Release ring: POM
- Tubing seal: NBR
- Tube retaining claw: High-alloy stainless steel

-  - Ambient temperature
-5 ... +60 °C
-  - Operating pressure
-0.95 ... +10 bar

Note on materials:
Conforms to RoHS

Certification:
Germanischer Lloyd



Dimensions and ordering data

Tubing O.D.	Nominal size	D5 Ø	D6 Ø	H1	H2	L1	L2	CRC ¹⁾	Weight/piece [g]	Part No.	Type	PU ²⁾
D1	[mm]											
8	4.8	19.75	16.0	38.5	10.6	29.7	18.1	1	11	132863	QSPLLKG20-8	10
10	6	19.75	19.0	43.0	10.6	32.0	20.2	1	15	132864	QSPLLKG20-10	10
12	7.3	19.75	21.1	45.9	10.6	36.2	23.4	1	20	132865	QSPLLKG20-12	10

1) Corrosion resistance class 1 to Festo standard 940 070

Components requiring low corrosion resistance. Transport and storage protection. Parts that do not have primarily decorative surface requirements, e.g. in internal areas that are not visible or behind covers.

2) Packaging unit quantity.

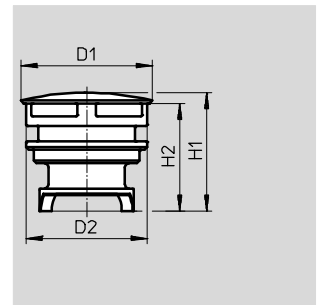
Cartridge fittings QSP, Quick Star

Technical data

Blanking plug QSPC10

Material:
 – Blanking plug: POM
 – O-ring: NBR

Note on materials:
 Free of copper and PTFE
 Conforms to RoHS



Operating and environmental conditions		
Operating pressure	[bar]	0 ... +8
Ambient temperature	[°C]	-5 ... +60
Corrosion resistance class CRC ¹⁾		0

1) Corrosion resistance class CRC 0 to Festo standard FN 940070
 No corrosion stress. Applies to small, optically irrelevant standard parts such as threaded pins, circlips and clamping sleeves which are usually only available in a phosphated or burnished version (and possibly oiled) as well as to ball bearings (for components < CRC 3) and plain bearings.

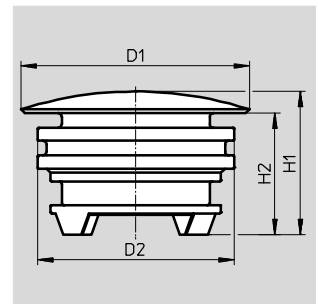
Dimensions and ordering data							
D1	D2	H1	H2	Weight/piece	Part No.	Type	PU ¹⁾
∅				[g]			
9.8	9	8.8	8.0	0.4	562243	QSPC10	10

1) Packaging unit quantity.

Blanking plug QSPC18

Material: PA-GF

Note on materials:
 Free of copper and PTFE
 Conforms to RoHS



Dimensions and ordering data							
D1	D2	H1	H2	CRC ¹⁾	Part No.	Type	PU ²⁾
∅							
17.9	15	11.2	9.5	2	537533	QSPC18	10

1) CRC2: Corrosion resistance class to Festo standard 940 070
 Components with medium corrosion exposure. Externally visible components with significant decorative function in direct contact with normal industrial atmosphere or media such as coolants and lubricants.
 2) Packaging unit quantity.

Cartridge fittings QSP, Quick Star

Technical data

FESTO

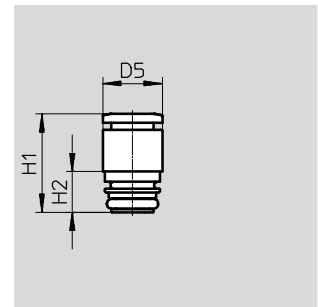
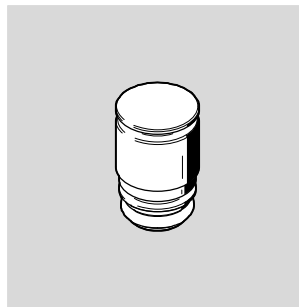
Blanking plug QSP...-PTB

Material:

- Housing: PA
- Tubing seal: NBR
- Grip clamp: High-alloy stainless steel

Note on materials:

Conforms to RoHS



Operating and environmental conditions	
Operating pressure for entire temperature range [bar]	-0.95 ... +10
Operating medium	Compressed air to ISO 8573-1:2010 [7:-:-]
Note on operating/pilot medium	Lubricated operation possible
Ambient temperature [°C]	-10 ... +60
Certification	Germanischer Lloyd

Dimensions and ordering data						
D5 ∅	H1	H2	Weight/piece [g]	Part No.	Type	PU ¹⁾
9.7 ±0.1	16.2	6.7	1.1	172976	QSP10-PTB	1
13.8	22	7.8 -0.1	2.7	172987	QSP14-PTB	1
16.8	24.5	7.8 -0.1	4.7	172996	QSP17-PTB	1

1) Packaging unit quantity.