

Push-in fittings QBM, Quick Basic, mini, NPT

FESTO



Push-in fittings QBM, Quick Basic, mini, NPT

Technical data

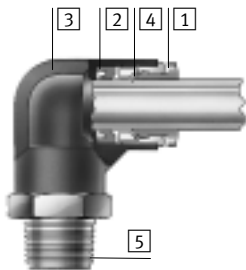
General technical data		
Connecting thread	UNF	NPT
Size	Mini	
Design	Push-pull principle	
Mounting position	Any	
Type of seal on threaded plug	Sealing ring	Coating

Operating and environmental conditions	
Operating pressure complete [psi]	-13.8 ... +145
temperature range	
Operating medium	Compressed air in accordance with ISO 8573-1:2010 [7:--:-]
Note on operating/pilot medium	Operation with lubricated medium possible
Ambient temperature [°F]	32 ... 140
Corrosion resistance class CRC ¹⁾	1

1) Corrosion resistance class CRC 1 to Festo standard FN 940070
 Low corrosion stress. For dry indoor applications or transport and storage protection. Also applies to parts behind covers, in the non-visible interior area, and parts which are covered in the application (e.g. drive trunnions).

Materials



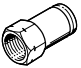

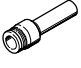
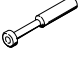

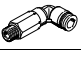

Sectional view



Connecting thread		UNF	NPT
1	Release ring	POM (colour: grey)	
2	Tubing seal	NBR	
3	Housing	Nickel-plated brass PBT	
4	Tube retaining claw	High-alloy stainless steel	
5	Threaded seal	-	PTFE
Note on materials		Contains PWIS (paint-wetting impairment substances) RoHS-compliant	




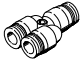

Push-in fittings QBM, Quick Basic, mini, NPT

Product range overview

Design	Version	Type	Connection D1				Connection D2		→ Page/ Internet
			UNF thread	NPT thread	Tubing O.D.	Push-in sleeve Ø	Tubing O.D.	Push-in sleeve Ø	
Straight design	Push-in fitting – Male thread with external hex								
		QBM	10-32	–	–	–	1/8, 5/32, 1/4	–	5
			–	1/8			1/8, 5/32, 1/4		
				1/4			1/8, 1/4		
	Push-in fitting – Male thread with internal hex								
		QBM-...I	10-32	–	–	–	1/8, 5/32, 1/4	–	5
			–	1/8			1/4		
	Push-in fitting – Female thread with external hex								
		QBMF	10-32	–	–	–	1/8, 5/32, 1/4	–	6
	Push-in connector								
	QBM-...T	–	–	1/8	–	–	–	7	
				5/32					
				1/4					
	QBM-...T reducing	–	–	5/32	–	1/8	–		
				3/16		1/8			
				1/4		5/32			
Push-in connector with push-in sleeve									
	QBM-...H	–	–	–	5/32	1/8	–	7	
Blanking plug									
	QBMC-...H	–	–	–	1/8	–	–	8	
L-shape	Push-in L-fitting – Male thread with external hex								
		QBML	10-32	–	–	–	1/8, 5/32, 1/4	–	9
			–	1/8			1/8, 1/4		
				1/4			1/8, 1/4		
	Push-in long L-fitting – Male thread with external hex								
		QBMLL	10-32	–	–	–	1/8, 1/4	–	9
		–	1/8			1/8, 1/4			
Push-in L-connector									
	QBML-...T	–	–	1/8	–	–	–	10	
				5/32					
				1/4					

Push-in fittings QBM, Quick Basic, mini, NPT

Product range overview

Design	Version	Type	Connection D1				Connection D2		→ Page/ Internet
			UNF thread	NPT thread	Tubing O.D.	Push-in sleeve Ø	Tubing O.D.	Push-in sleeve Ø	
T-shape	Push-in T-fitting – Male thread with external hex								
		QBMT	10-32	–	–	–	1/8, 5/32, 1/4	–	11
			–	1/8			1/8, 1/4		
			–	1/4			1/4		
	Push-in T-connector								
		QBMT-...T	–	–	1/8	–	–	–	12
			–	–	5/32	–	–	–	
			–	–	1/4	–	–	–	
		QBMT-...T reducing	–	–	5/32	–	1/8	–	
			–	–	1/4	–	5/32	–	
Push-in T-fitting – Male thread with external hex									
	QBMTL	10-32	–	–	–	1/8, 5/32, 1/4	–	13	
		–	1/8			1/8, 1/4			
		–	1/4			1/8			
Y-shape	Push-in Y-connector								
		QBY-...T	–	–	1/8	–	–	–	14
			–	–	5/32	–	–	–	
			–	–	1/4	–	–	–	
		QBY-...T reducing	–	–	5/32	–	1/8	–	
–			–	1/4	–	5/32	–		

Push-in fittings QBM, Quick Basic, mini, NPT

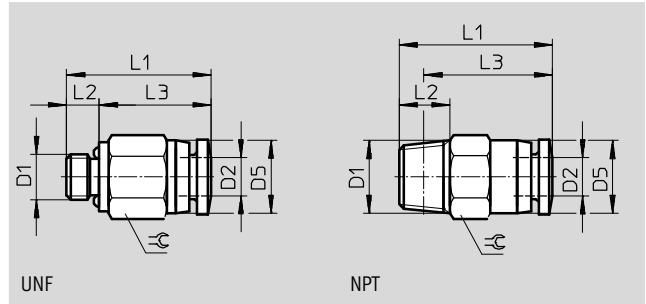
Technical data

Push-in fitting QBM

Male thread
with external hex



UNF thread



UNF

NPT

Dimensions and ordering data											
Connection	Nominal size	Tubing O.D.	D5 ∅	L1	L2	L3	≈	Weight/piece	Part No.	Type	PU ¹⁾
D1	[inch]	D2						[oz]			
UNF thread											
10-32	0.079	1/8	7.2	16.4	3.6	12.8	5/16	0.071	533266	QBM-10-32-UNF-1/8-U	10
	0.098	5/32	8.0	16.9	3.6	13.3	5/16	0.106	572303	QBM-10-32-UNF-5/32-U	10
	0.098	1/4	10.5	18.9	3.6	15.3	7/16	0.353	573050	QBM-10-32-UNF-1/4-U	10
NPT thread											
1/8	0.098	1/8	7.2	17.5	8.5	13.4	7/16	0.212	533270	QBM-1/8-1/8-U	10
	0.118	5/32	8.0	17.9	8.5	13.8	7/16	0.317	572305	QBM-1/8-5/32-U	10
	0.197	1/4	10.5	19.5	8.5	15.4	7/16	0.635	573051	QBM-1/8-1/4-U	10
1/4	0.098	1/8	7.2	21.5	10.5	15.7	9/16	0.529	572306	QBM-1/4-1/8-U	10
	0.197	1/4	10.5	22.3	10.5	16.5	9/16	1.023	573052	QBM-1/4-1/4-U	10

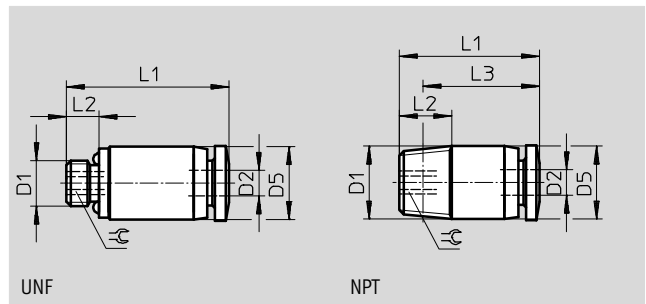
1) Packaging unit

Push-in fitting QBM-...-I

Male thread
with internal hex



UNF thread



UNF

NPT

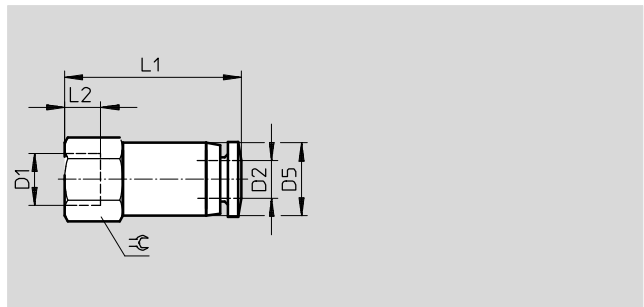
Dimensions and ordering data											
Connection	Nominal size	Tubing O.D.	D5 ∅	L1	L2	L3	≈	Weight/piece	Part No.	Type	PU ¹⁾
D1	[inch]	D2						[oz]			
UNF thread											
10-32	0.094	1/8	7.0	16.4	3.6	-	3/32	0.071	572311	QBM-10-32-UNF-1/8-I-U	10
	0.094	5/32	8.0	17.0	3.6	-	3/32	0.106	572312	QBM-10-32-UNF-5/32-I-U	10
	0.094	1/4	10.5	19.0	3.6	-	3/32	0.423	573054	QBM-10-32-UNF-1/4-I-U	10
NPT thread											
1/8	0.157	1/4	10.5	19.5	8.5	15.4	3/32	0.635	573055	QBM-1/8-1/4-I-U	10

1) Packaging unit

Push-in fittings QBM, Quick Basic, mini, NPT

Technical data

Push-in fitting QBMF



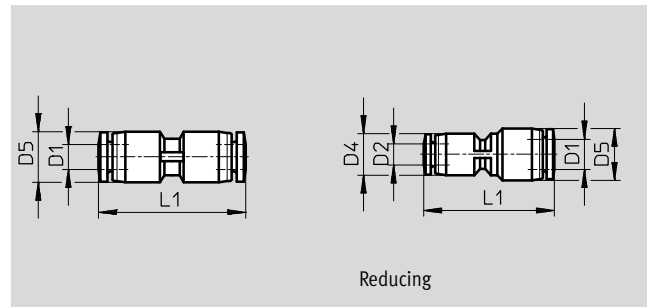
Dimensions and ordering data										
Connection	Nominal size	Tubing O.D.	D5 ∅	L1	L2	≅	Weight/ piece [oz]	Part No.	Type	PU ¹⁾
D1	[inch]	D2								
UNF thread										
10-32	0.098	1/8	7.5	18.8	6.0	5/16	0.071	572282	QBMF-10-32-UNF-1/8-U	10
	0.118	5/32	8.0	19.2	6.0	5/16	0.176	572283	QBMF-10-32-UNF-5/32-U	10
	0.118	1/4	10.5	20.5	6.0	7/16	0.212	573066	QBMF-10-32-UNF-1/4-U	10

1) Packaging unit

Push-in fittings QBM, Quick Basic, mini, NPT

Technical data

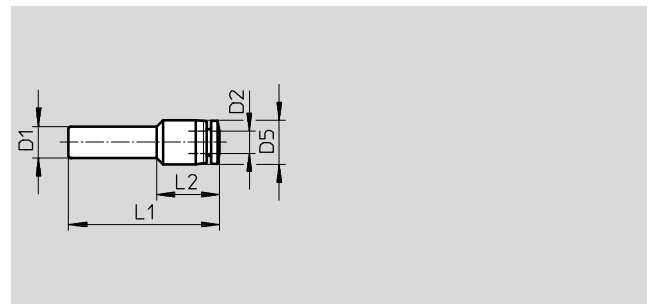
Push-in connector QBM-...T



Dimensions and ordering data									
Tubing O.D.	Nominal size	Tubing O.D.	D4	D5	L1	Weight/piece	Part No.	Type	PU ¹⁾
D1	[inch]	D2	∅	∅		[oz]			
1/8	0.094	-	-	7.5	23.6	0.035	572277	QBM-1/8T-U	10
5/32	0.118	-	-	8.4	24.5	0.071	572278	QBM-5/32T-U	10
1/4	0.197	-	-	11.2	28.6	0.106	573056	QBM-1/4T-U	10
Reducing									
5/32	0.094	1/8	7.5	8.4	24.1	0.071	572279	QBM-5/32T-1/8-U	10
3/16	0.098		7.5	11.5	28.7	0.106	573057	QBM-3/16T-1/8-U	10
1/4	0.138	5/32	8.8	11.2	28.1	0.106	573058	QBM-1/4T-5/32-U	10

1) Packaging unit

Push-in connector QBM-...H with push-in sleeve



Dimensions and ordering data									
Push-in sleeve ∅	Nominal size	Tubing O.D.	D5	L1	L2	Weight/piece	Part No.	Type	PU ¹⁾
D1	[inch]	D2	∅			[oz]			
5/32	0.094	1/8	7.6	30.4	12.4	0.035	572280	QBM-5/32H-1/8-U	10

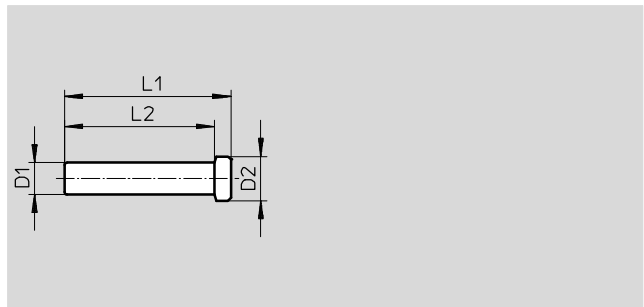
1) Packaging unit

Push-in fittings QBM, Quick Basic, mini, NPT

FESTO

Technical data

Blanking plug QBMC-...H



Dimensions and ordering data							
Push-in sleeve \varnothing	D2 \varnothing	L1	L2	Weight/piece [oz]	Part No.	Type	PU ¹⁾
1/8	5.0	20.0	18.0	0.035	572281	QBMC-1/8H-U	10

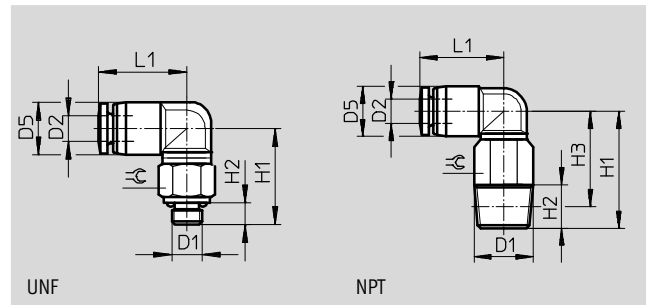
1) Packaging unit

Push-in fittings QBM, Quick Basic, mini, NPT

Technical data

Push-in L-fitting QBML

Male thread
with external hex

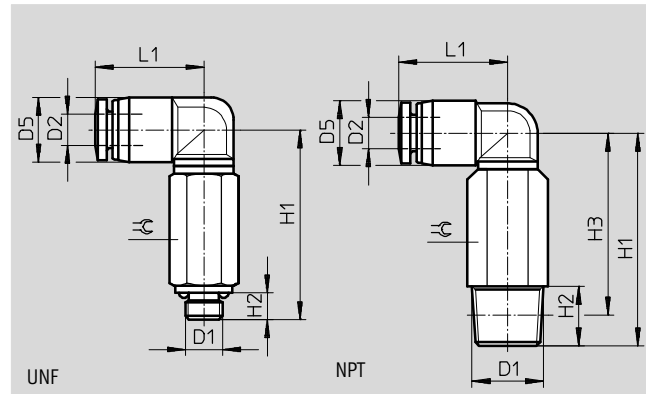


Dimensions and ordering data												
Connection	Nominal size	Tubing O.D.	D5 ∅	H1	H2	H3	L1	⌀	Weight/piece [oz]	Part No.	Type	PU ¹⁾
D1	[inch]	D2										
UNF thread												
10-32	0.098	1/8	7.6	15.3	3.6	-	13.5	5/16	0.071	533285	QBML-10-32-UNF-1/8-U	10
	0.098	5/32	8.7	15.9	3.6	-	14.6	5/16	0.176	572308	QBML-10-32-UNF-5/32-U	10
	0.098	1/4	11.3	17.2	3.6	-	16.1	5/16	0.353	573059	QBML-10-32-UNF-1/4-U	10
NPT thread												
1/8	0.098	1/8	7.6	15.8	8.5	11.7	13.5	7/16	0.176	533289	QBML-1/8-1/8-U	10
	0.118	1/4	11.3	17.7	8.5	13.6	16.1	7/16	0.564	573060	QBML-1/8-1/4-U	10
1/4	0.098	1/8	7.6	18.3	10.5	12.5	13.5	9/16	0.282	572310	QBML-1/4-1/8-U	10
	0.118	1/4	11.3	20.2	10.5	14.4	16.1	9/16	0.811	573061	QBML-1/4-1/4-U	10

1) Packaging unit

Push-in long L-fitting QBMLL

Male thread
with external hex



Dimensions and ordering data												
Connection	Nominal size	Tubing O.D.	D5 ∅	H1	H2	H3	L1	⌀	Weight/piece [oz]	Part No.	Type	PU ¹⁾
D1	[inch]	D2										
UNF thread												
10/32	0.098	1/8	7.6	23.9	3.6	-	13.5	5/16	0.282	572286	QBMLL-10-32-UNF-1/8-U	10
	0.098	1/4	11.3	28.7	3.6	-	16.1	5/16	0.317	573064	QBMLL-10-32-UNF-1/4-U	10
NPT thread												
1/8	0.098	1/8	7.6	24.4	8.5	20.3	13.5	7/16	0.388	572287	QBMLL-1/8-1/8-U	10
	0.118	1/4	11.3	32.7	8.5	28.6	16.1	7/16	0.494	573065	QBMLL-1/8-1/4-U	10

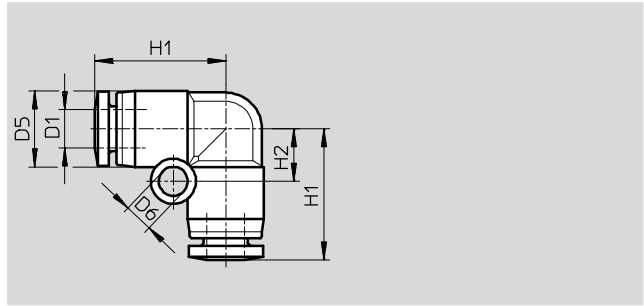
1) Packaging unit

Push-in fittings QBM, Quick Basic, mini, NPT

Technical data

FESTO

Push-in L-connector QBML-...T



Dimensions and ordering data									
Tubing O.D.	Nominal size	D5	D6	H1	H2	Weight/ piece	Part No.	Type	PU ¹⁾
D1	[inch]	∅	∅			[oz]			
1/8	0.094	7.5	3.2	13.5	5.4	0.071	572284	QBML-1/8T-U	10
5/32	0.118	8.4	3.2	14.5	5.8	0.106	572285	QBML-5/32T-U	10
1/4	0.197	11.2	3.3	17.6	7.0	0.176	573063	QBML-1/4T-U	10

1) Packaging unit

Push-in fittings QBM, Quick Basic, mini, NPT

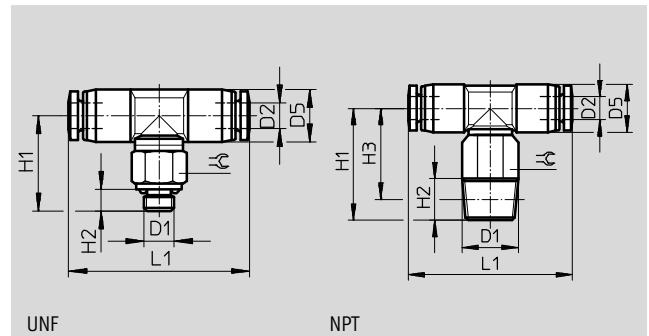
Technical data

Push-in T-fitting QBMT

Male thread
with external hex



NPT thread



UNF

NPT

Dimensions and ordering data

Connection	Nominal size	Tubing O.D.	D5 ∅	H1	H2	H3	L1	⌀	Weight/ piece [oz]	Part No.	Type	PU ¹⁾
D1	[inch]	D2										
UNF thread												
10-32	0.098	1/8	7.6	15.3	3.6	-	29.0	5/16	0.071	533304	QBMT-10-32-UNF-1/8-U	10
	0.098	5/32	8.7	15.9	3.6	-	30.2	5/16	0.088	572289	QBMT-10-32-UNF-5/32-U	10
	0.098	1/4	11.3	17.2	3.6	-	32.2	5/16	0.353	573067	QBMT-10-32-UNF-1/4-U	10
NPT thread												
1/8	0.098	1/8	7.6	15.8	8.5	11.7	29.0	7/16	0.176	533308	QBMT-1/8-1/8-U	10
	0.138	1/4	11.3	17.7	8.5	13.6	32.2	7/16	0.564	573068	QBMT-1/8-1/4-U	10
1/4	0.098	1/8	7.6	18.3	10.5	12.5	29.0	9/16	0.423	572291	QBMT-1/4-1/8-U	10

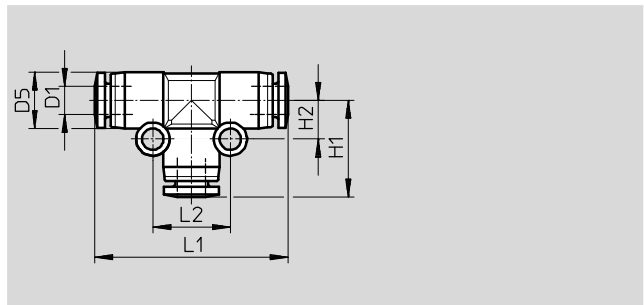
1) Packaging unit

Push-in fittings QBM, Quick Basic, mini, NPT

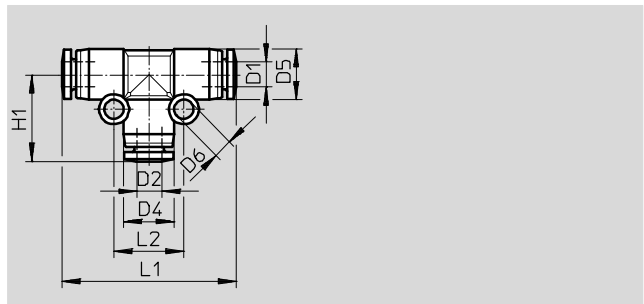
Technical data



Push-in T-connector QBMT-...T



Reducing



Dimensions and ordering data												
Tube O.D.	Nominal size	Tube O.D.	D4	D5	D6	H1	L1	L2	Weight/ piece	Part No.	Type	PU ¹⁾
D1	[inch]	D2	∅	∅	∅				[oz]			
1/8	0.094	-	-	7.5	3.2	13.5	27.0	10.8	0.106	572293	QBMT-1/8T-U	10
5/32	0.118	-	-	8.4	3.2	14.5	29.0	11.6	0.141	572294	QBMT-5/32T-U	10
1/4	0.197	-	-	11.2	3.3	17.6	35.2	14.0	0.212	573069	QBMT-1/4T-U	10
Reducing												
5/32	0.094	1/8	8.4	8.4	3.2	14.4	14.5	5.8	0.141	572292	QBMT-5/32T-1/8-U	10
1/4	0.118	5/32	11.2	11.2	3.3	17.6	17.6	7.0	0.176	573070	QBMT-1/4T-5/32-U	10

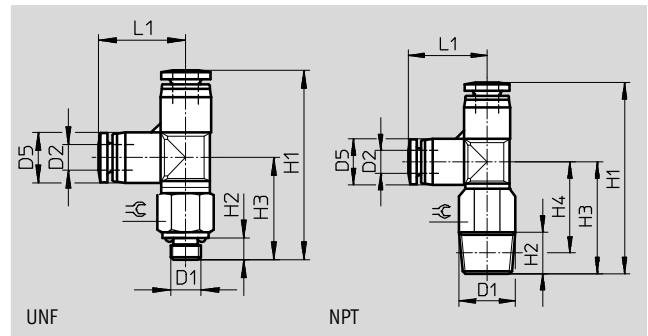
1) Packaging unit

Push-in fittings QBM, Quick Basic, mini, NPT

Technical data

Push-in T-fitting QBMTL

Male thread
with external hex



Dimensions and ordering data													
Connection	Nominal size	Tubing O.D.	D5 ∅	H1	H2	H3	H4	L1	⌀	Weight/ piece [oz]	Part No.	Type	PU ¹⁾
D1	[inch]	D2											
UNF thread													
10-32	0.098	1/8	7.6	28.9	3.6	15.3	-	13.6	5/16	0.071	572295	QBMTL-10-32-UNF-1/8-U	10
	0.098	5/32	8.7	30.4	3.6	15.9	-	14.5	5/16	0.176	572296	QBMTL-10-32-UNF-5/32-U	10
	0.098	1/4	11.2	35.0	3.6	17.1	-	17.9	5/16	0.353	573071	QBMTL-10-32-UNF-1/4-U	10
NPT thread													
1/8	0.098	1/8	7.6	29.4	8.5	15.8	11.7	13.6	7/16	0.176	572297	QBMTL-1/8-1/8-U	10
	0.118	1/4	11.2	35.5	8.5	17.6	13.5	17.9	7/16	0.564	573072	QBMTL-1/8-1/4-U	10
1/4	0.098	1/8	7.6	31.9	10.5	18.3	12.5	13.6	9/16	0.423	572298	QBMTL-1/4-1/8-U	10

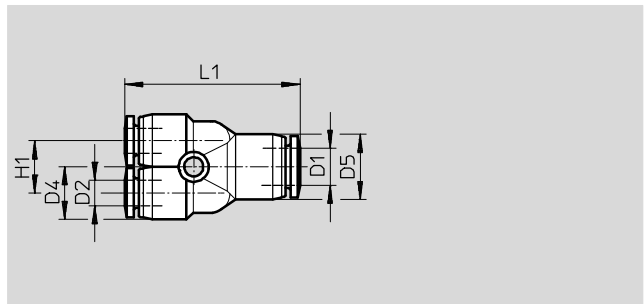
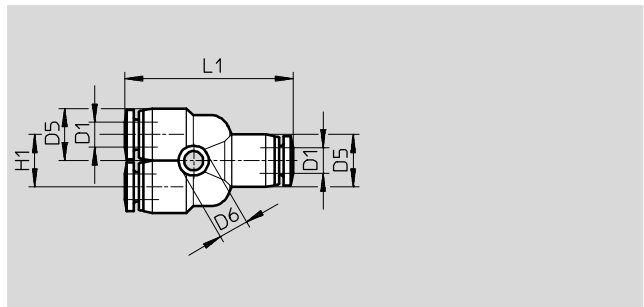
1) Packaging unit

Push-in fittings QBM, Quick Basic, mini, NPT

Technical data

FESTO

Push-in Y-connector QBM...T



Reducing

Dimensions and ordering data											
Tubing O.D.	Nominal size	Tubing O.D.	D4	D5	D6	H1	L1	Weight/ piece	Part No.	Type	PU ¹⁾
D1	[inch]	D2	∅	∅	∅			[oz]			
1/8	0.094	–	–	7.6	3.2	7.6	26.8	0.141	572299	QBM-1/8T-U	10
5/32	0.118	–	–	8.7	3.2	8.7	28.0	0.106	572300	QBM-5/32T-U	10
1/4	0.197	–	–	11.3	3.2	11.3	32.6	0.176	573073	QBM-1/4T-U	10
Reducing											
1/8	0.094	5/32	7.6	8.7	3.2	7.6	27.5	0.141	572301	QBM-5/32T-1/8-U	10
5/32	0.118	1/4	8.7	11.3	3.2	8.7	29.8	0.176	573074	QBM-1/4T-5/32-U	10

1) Packaging unit