

**Threaded fittings NPFC**




# Threaded fittings NPFC

Technical data

Operating and environmental conditions	
Operating pressure [bar]	-0.95 ... 50
Operating medium	Compressed air to ISO 8573-1:2010 [-:-:-]
	Gases on request
	Liquids on request
Ambient temperature [°C]	-20 ... +150
Corrosion resistance class CRC <sup>1)</sup>	1

1) Corrosion resistance class CRC 1 to Festo standard FN 940070  
 Low corrosion stress. For dry indoor applications or transport and storage protection. Also applies to parts behind covers, in the non-visible interior area, and parts which are covered in the application (e.g. drive trunnions).

Materials	
Threaded fitting	Nickel-plated brass
Note on materials	RoHS-compliant

 - Note



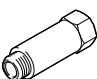



When using R threaded studs, we recommend sealing using thread sealing tape GWB-0,1 (part no. 9076).

When using M and G threaded studs, an additional axial sealing ring is required (preferably soft aluminium Al 99.5).

# Threaded fittings NPFC






Product range overview



Design	Design	Type	Connection D1			Connection D2			→ Page/ Internet
			M thread	G thread	R thread	M thread	G thread	R thread	
Straight design	<b>Sleeve</b>								
		NPFC-S	M5	–	–	–	–	–	6
			–	G1/8					
				G1/4					
				G3/8					
				G1/2					
				G3/4					
	<b>Reducing sleeve</b>								
		NPFC-R	–	G1/8	–	–	G3/8	–	6
				G1/2			G3/4		
	<b>Extension</b>								
		NPFC-E...	–	G1/8	–	–	G1/8	–	7
				G1/4			G1/4		
				G3/8			G3/8		
				G1/2			G1/2		
<b>Double nipple</b>									
	NPFC-D	M5	–	–	M5	–	–	8	
		M7							
		–	G1/8			–	G1/8		
			G1/4				G1/8, G1/4, G3/8		
			G3/8				G1/4, G3/8, G1/2		
			G1/2				G3/8, G1/2		
			–		R1/8		–		R1/8, R1/4, R3/8
					R1/4				R1/4, R3/8, R1/2
					R3/8				R3/8, R1/2
					R1/2				R1/2, R3/4
					R3/4				R3/4
					R1				R1
<b>Reducing nipple – internal thread/external thread</b>									
	NPFC-R	M5	–	–	–	G1/8	–	9	
		–	G1/8				G1/4, G3/8		
			G1/4				G3/8		
			G3/8				G1/2		
<b>Reducing nipples – external thread/internal thread</b>									
	NPFC-R	–	G1/8	–	M5	–	–	9	
			G1/4			–	G1/8		
			G3/8				G1/8, G1/4		
			G1/2				G1/4, G3/8		
			G3/4				G1/2		

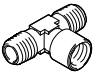
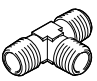
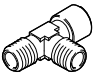
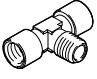
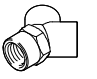
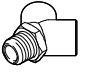
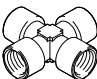
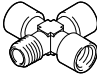
# Threaded fittings NPFC

Product range overview

Design	Version	Type	Connection D1			Connection D2			→ Page/ Internet
			M thread	G thread	R thread	M thread	G thread	R thread	
L-shape	<b>Elbow fitting – internal thread</b>								
		NPFC-L	M5	–	–	–	–	–	10
			–	G1/8	–	–	–	–	
			–	G1/4	–	–	–	–	
			–	G3/8	–	–	–	–	
			–	G1/2	–	–	–	–	
			–	G3/4	–	–	–	–	
			–	G1	–	–	–	–	
	<b>Elbow fitting – external thread/internal thread</b>								
		NPFC-L	M5	–	–	M5	–	–	10
–			G1/8	–	–	–	R1/8		
–			G1/4	–	–	–	R1/4		
–			G3/8	–	–	–	R3/8		
–			G1/2	–	–	–	R1/2		
–			G3/4	–	–	–	R3/4		
–			G1	–	–	–	R1		
<b>Elbow fitting – external thread</b>									
	NPFC-L	M5	–	–	–	–	–	11	
		–	–	–	–	–	R1/8		
		–	–	–	–	–	R1/4		
		–	–	–	–	–	R3/8		
		–	–	–	–	–	R1/2		
		–	–	–	–	–	R3/4		
T-shape	<b>T-fitting – internal thread</b>								
		NPFC-T	–	G1/8	–	–	–	–	11
			–	G1/4	–	–	–	–	
			–	G3/8	–	–	–	–	
			–	G1/2	–	–	–	–	
			–	G3/4	–	–	–	–	
			–	G1	–	–	–	–	
	<b>T-fitting – internal thread/external thread/internal thread</b>								
		NPFC-T	M5	–	–	M5	–	–	12
			–	G1/8	–	–	–	R1/8	
–			G1/4	–	–	–	R1/4		
–			G3/8	–	–	–	R3/8		
–			G1/2	–	–	–	R1/2		
–			G3/4	–	–	–	R3/4		
–			G1	–	–	–	R1		

# Threaded fittings NPFC

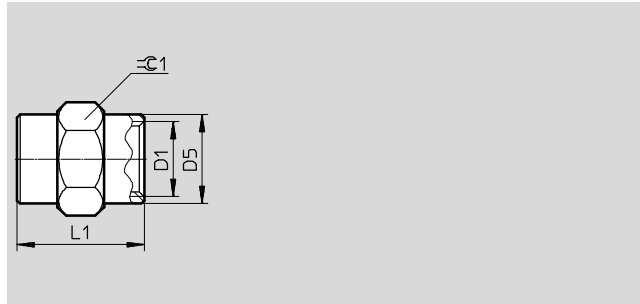
Product range overview

Design	Version	Type	Connection D1			Connection D2			→ Page/ Internet	
			M thread	G thread	R thread	M thread	G thread	R thread		
T-shape	<b>T-fitting – internal thread/external thread/external thread</b>									
		NPFC-T	–	G $\frac{1}{8}$ G $\frac{1}{4}$ G $\frac{3}{8}$ G $\frac{1}{2}$	–	–	–	R $\frac{1}{8}$ R $\frac{1}{4}$ R $\frac{3}{8}$ R $\frac{1}{2}$	12	
	<b>T-fitting – external thread</b>									
		NPFC-T	–	–	R $\frac{1}{4}$ R $\frac{3}{8}$ R $\frac{1}{2}$	–	–	–	13	
	<b>T-fitting – external thread/external thread/internal thread</b>									
		NPFC-T	–	–	R $\frac{1}{8}$ R $\frac{1}{4}$ R $\frac{1}{2}$	–	G $\frac{1}{8}$ G $\frac{1}{4}$ G $\frac{1}{2}$	–	13	
	<b>T-fitting – external thread/internal thread/internal thread</b>									
		NPFC-T	–	–	R $\frac{1}{8}$ R $\frac{1}{4}$ R $\frac{3}{8}$ R $\frac{1}{2}$	–	G $\frac{1}{8}$ G $\frac{1}{4}$ G $\frac{3}{8}$ G $\frac{1}{2}$	–	14	
	Y-shape	<b>Y-fitting – internal thread</b>								
			NPFC-Y	–	G $\frac{1}{4}$ G $\frac{3}{8}$ G $\frac{1}{2}$	–	–	–	–	15
		<b>Y-fitting – external thread/internal thread/internal thread</b>								
			NPFC-Y	–	–	R $\frac{1}{8}$ R $\frac{1}{4}$ R $\frac{3}{8}$ R $\frac{1}{2}$	–	G $\frac{1}{8}$ G $\frac{1}{4}$ G $\frac{3}{8}$ G $\frac{1}{2}$	–	15
X-shape	<b>X-fitting – internal thread</b>									
		NPFC-X	–	G $\frac{1}{4}$ G $\frac{3}{8}$ G $\frac{1}{2}$	–	–	–	–	16	
	<b>X-fitting – external thread/internal thread/internal thread/internal thread</b>									
		NPFC-X	–	G $\frac{1}{4}$ G $\frac{1}{2}$	–	–	–	R $\frac{1}{4}$ R $\frac{1}{2}$	16	

# Threaded fittings NPFC

Technical data

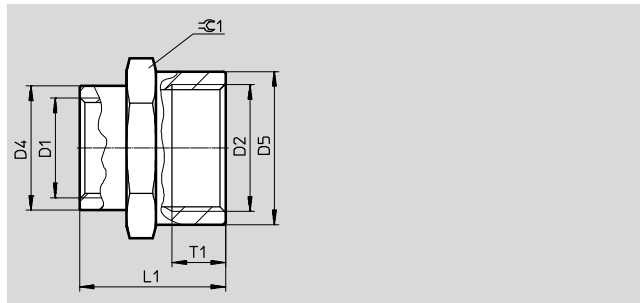
## Sleeve NPFC-S



Dimensions and ordering data							
Connection	D5	L1	$\approx G1$	Weight/piece [g]	Part no.	Type	PU <sup>1)</sup>
D1	$\varnothing$						
<b>M thread</b>							
M5	7.5	11	8	3.13	<b>8030290</b>	<b>NPFC-S-2M5-F</b>	<b>10</b>
<b>G thread</b>							
G $\frac{1}{8}$	13.5	15	14	11	<b>8030291</b>	<b>NPFC-S-2G18-F</b>	<b>10</b>
G $\frac{1}{4}$	16.5	22	17	18.8	<b>8030292</b>	<b>NPFC-S-2G14-F</b>	<b>10</b>
G $\frac{3}{8}$	21.5	24	22	35.7	<b>8030293</b>	<b>NPFC-S-2G38-F</b>	<b>10</b>
G $\frac{1}{2}$	25.5	30	26	54.4	<b>8030294</b>	<b>NPFC-S-2G12-F</b>	<b>10</b>
G $\frac{3}{4}$	31.5	32	32	79.1	<b>8030295</b>	<b>NPFC-S-2G34-F</b>	<b>10</b>

1) Packaging unit quantity

## Reducing sleeve NPFC-R



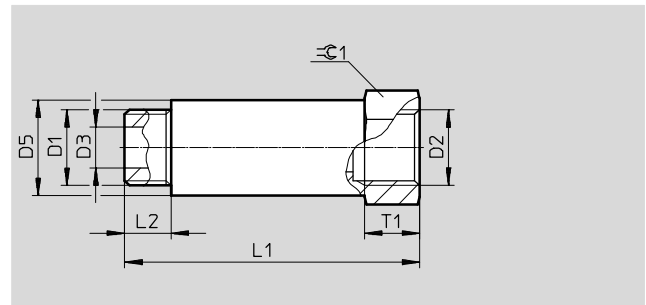
Dimensions and ordering data										
Connection	D2	D4	D5	L1	T1	$\approx G1$	Weight/piece [g]	Part no.	Type	PU <sup>1)</sup>
D1		$\varnothing$	$\varnothing$							
G $\frac{1}{8}$	G $\frac{3}{8}$	13	20.5	20	10.5	22	24.6	<b>8030296</b>	<b>NPFC-R-G38-G18-F</b>	<b>10</b>
G $\frac{1}{2}$	G $\frac{3}{4}$	25	29.8	30	14.5	30	56.2	<b>8030297</b>	<b>NPFC-R-G34-G12-F</b>	<b>10</b>

1) Packaging unit quantity

# Threaded fittings NPFC

Technical data

## Extension NPFC-E...



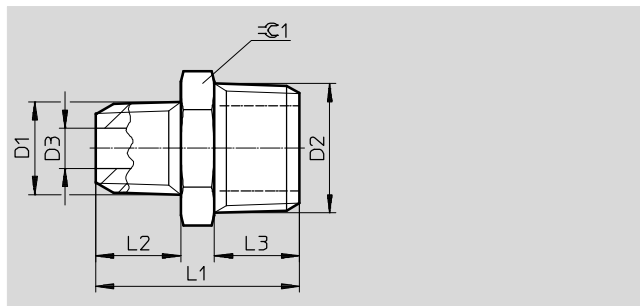
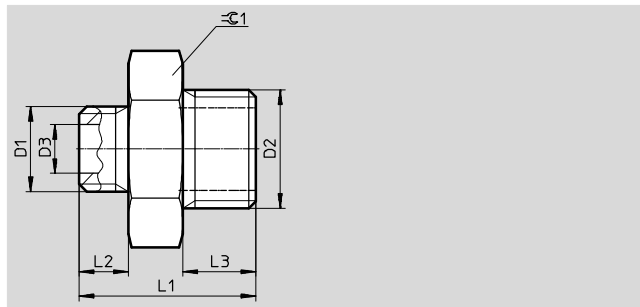
Dimensions and ordering data											
Connection		D3	D5	L1	L2	T1	≡C1	Weight/piece [g]	Part no.	Type	PU <sup>1)</sup>
D1	D2	∅	∅								
<b>E1</b>											
G <sup>1</sup> / <sub>8</sub>	G <sup>1</sup> / <sub>8</sub>	5.5	13	22	6	7.5	14	14.9	<b>8030298</b>	<b>NPFC-E1-2G18-FM</b>	<b>10</b>
G <sup>1</sup> / <sub>4</sub>	G <sup>1</sup> / <sub>4</sub>	8	16.5	28	8	9.5	17	25.4	<b>8030299</b>	<b>NPFC-E1-2G14-FM</b>	<b>10</b>
G <sup>3</sup> / <sub>8</sub>	G <sup>3</sup> / <sub>8</sub>	11	21.5	32	9	10	22	47.56	<b>8030300</b>	<b>NPFC-E1-2G38-FM</b>	<b>10</b>
G <sup>1</sup> / <sub>2</sub>	G <sup>1</sup> / <sub>2</sub>	15	25	35	10	11	26	59.8	<b>8030301</b>	<b>NPFC-E1-2G12-FM</b>	<b>10</b>
<b>E2</b>											
G <sup>1</sup> / <sub>8</sub>	G <sup>1</sup> / <sub>8</sub>	5.5	13	32	6	7.5	14	21.4	<b>8030302</b>	<b>NPFC-E2-2G18-FM</b>	<b>10</b>
G <sup>1</sup> / <sub>4</sub>	G <sup>1</sup> / <sub>4</sub>	8	16.5	35	8	9.5	17	31.76	<b>8030303</b>	<b>NPFC-E2-2G14-FM</b>	<b>10</b>
<b>E3</b>											
G <sup>1</sup> / <sub>8</sub>	G <sup>1</sup> / <sub>8</sub>	5.5	13	42	6	7.5	14	27.2	<b>8030304</b>	<b>NPFC-E3-2G18-FM</b>	<b>10</b>
G <sup>1</sup> / <sub>4</sub>	G <sup>1</sup> / <sub>4</sub>	8	16.5	51	8	9.5	17	47.1	<b>8030305</b>	<b>NPFC-E3-2G14-FM</b>	<b>10</b>
<b>E4</b>											
G <sup>1</sup> / <sub>8</sub>	G <sup>1</sup> / <sub>8</sub>	5.5	13	51	6	7.5	14	33.1	<b>8030306</b>	<b>NPFC-E4-2G18-FM</b>	<b>10</b>

1) Packaging unit quantity

# Threaded fittings NPFC

Technical data

## Double nipple NPFC-D



Dimensions and ordering data										
Connection		D3	L1	L2	L3	$\approx C1$	Weight/piece [g]	Part no.	Type	PU <sup>1)</sup>
D1	D2	∅								
<b>M thread</b>										
M5	M5	2.5	11.5	4	4	8	2.47	8030267	NPFC-D-2M5-M	10
M7	G $\frac{1}{8}$	4	15.5	4	6	14	8.7	8030268	NPFC-D-M7-G18-M	10
<b>G thread</b>										
G $\frac{1}{8}$	G $\frac{1}{8}$	5.5	16.5	6	6	14	9.7	8030269	NPFC-D-2G18-M	10
	G $\frac{1}{4}$	5.5	19	6	8	17	15.8	8030270	NPFC-D-G18-G14-M	10
	G $\frac{3}{8}$	5.5	20	6	9	19	20.5	8030271	NPFC-D-G18-G38-M	10
G $\frac{1}{4}$	G $\frac{1}{4}$	8	21	8	8	17	17.2	8030272	NPFC-D-2G14-M	10
	G $\frac{3}{8}$	8	22	8	9	19	22.4	8030273	NPFC-D-G14-G38-M	10
	G $\frac{1}{2}$	8	23.5	8	10	24	33.35	8030274	NPFC-D-G14-G12-M	10
G $\frac{3}{8}$	G $\frac{3}{8}$	11	23	9	9	19	24	8030275	NPFC-D-2G38-M	10
	G $\frac{1}{2}$	11	24.5	9	10	24	35.2	8030276	NPFC-D-G38-G12-M	10
G $\frac{1}{2}$	G $\frac{1}{2}$	15	25.5	10	10	24	35.75	8030277	NPFC-D-2G12-M	10
<b>R thread</b>										
R $\frac{1}{8}$	R $\frac{1}{8}$	5.5	19.5	7.5	7.5	12	9.4	8030278	NPFC-D-2R18-M	10
	R $\frac{1}{4}$	5.5	23.5	7.5	11	14	14.7	8030279	NPFC-D-R18-R14-M	10
	R $\frac{3}{8}$	5.5	24	7.5	11.5	17	20.16	8030280	NPFC-D-R18-R38-M	10
R $\frac{1}{4}$	R $\frac{1}{4}$	8	27	11	11	14	17.9	8030281	NPFC-D-2R14-M	10
	R $\frac{3}{8}$	8	27.5	11	11.5	17	23.4	8030282	NPFC-D-R14-R38-M	10
	R $\frac{1}{2}$	8	30.5	11	14	22	35.43	8030283	NPFC-D-R14-R12-M	10
R $\frac{3}{8}$	R $\frac{3}{8}$	11	28	11.5	11.5	17	26.27	8030284	NPFC-D-2R38-M	10
	R $\frac{1}{2}$	11	31	11.5	14	22	38.42	8030285	NPFC-D-R38-R12-M	10
R $\frac{1}{2}$	R $\frac{1}{2}$	15	33.5	14	14	22	41.1	8030286	NPFC-D-2R12-M	10
	R $\frac{3}{4}$	15	37.5	14	16.5	27	68.5	8030287	NPFC-D-R12-R34-M	10
R $\frac{3}{4}$	R $\frac{3}{4}$	19	40	16.5	16.5	27	80.14	8030288	NPFC-D-2R34-M	10
R1	R1	24	46.5	19	19	34	147.33	8030289	NPFC-D-2R1-M	10

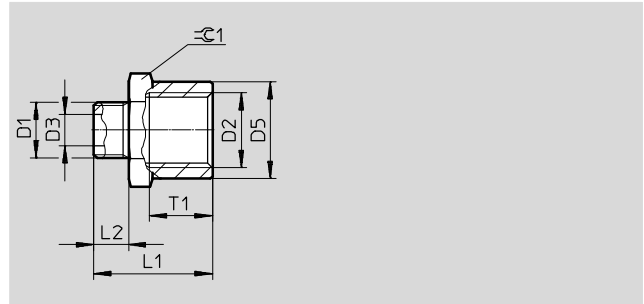
1) Packaging unit quantity



# Threaded fittings NPFC

Technical data

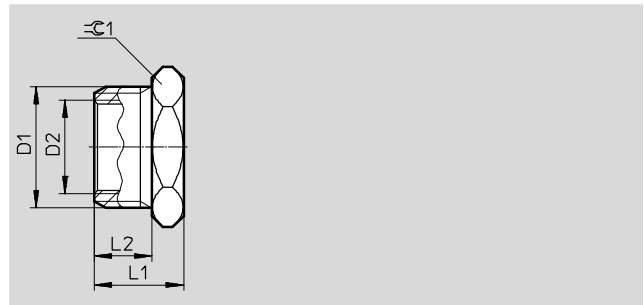
## Reducing nipple NPFC-R Internal thread/external thread



Dimensions and ordering data											
Connection		D3	D5	L1	L2	T1	$\approx C1$	Weight/piece [g]	Part no.	Type	PU <sup>1)</sup>
D1	D2	∅	∅								
M5	G1/8	2.5	13.5	14.5	4	7.4	14	9.3	8030314	NPFC-R-G18-M5-FM	10
G1/8	G1/4	5.5	17	20.5	6	9.5	17	17.8	8030315	NPFC-R-G14-G18-FM	10
	G3/8	5.5	21.5	21.5	6	10.5	22	30.1	8030316	NPFC-R-G38-G18-FM	10
G1/4	G3/8	8	21.5	23.5	8	10.5	22	32	8030317	NPFC-R-G38-G14-FM	10
G3/8	G1/2	11	25	27.5	9	13	26	45.1	8030318	NPFC-R-G12-G38-FM	10

1) Packaging unit quantity

## Reducing nipple NPFC-R External thread/internal thread



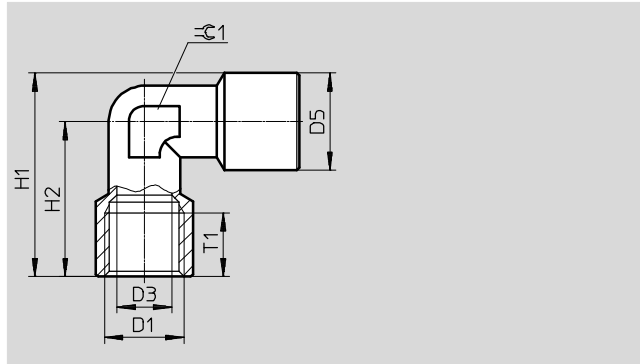
Dimensions and ordering data											
Connection		L1	L2	$\approx C1$	Weight/piece [g]	Part no.	Type			PU <sup>1)</sup>	
D1	D2										
G1/8	M5	10.5	6	14	8.2	8030307	NPFC-R-G18-M5-MF			10	
G1/4	G1/8	13	8	17	10.8	8030308	NPFC-R-G14-G18-MF			10	
G3/8	G1/8	14	9	19	19.4	8030309	NPFC-R-G38-G18-MF			10	
	G1/4	14	9	19	13	8030310	NPFC-R-G38-G14-MF			10	
G1/2	G1/4	15.5	10	24	31.4	8030311	NPFC-R-G12-G14-MF			10	
	G3/8	15.5	10	24	22.1	8030312	NPFC-R-G12-G38-MF			10	
G3/4	G1/2	17.5	12	30	39.3	8030313	NPFC-R-G34-G12-MF			10	

1) Packaging unit quantity

# Threaded fittings NPFC

Technical data

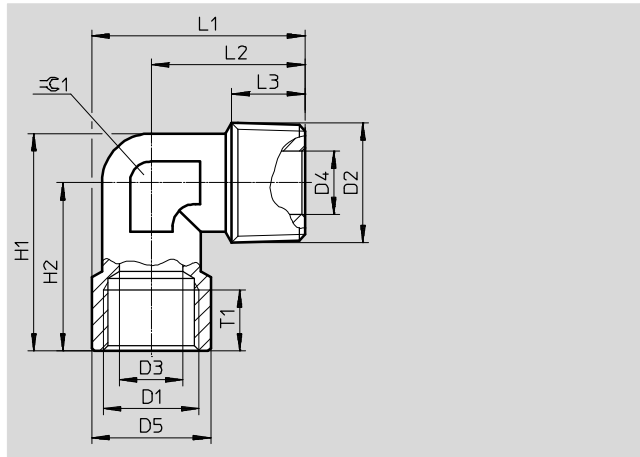
## Elbow fitting NPFC-L Internal thread



Dimensions and ordering data										
Connection D1	D3 Ø	D5 Ø	H1	H2	T1	$\approx C1$	Weight/piece [g]	Part no.	Type	PU <sup>1)</sup>
M5	4.2	8.5	15.3	11	4	9	8.8	<b>8030208</b>	<b>NPFC-L-2M5-F</b>	<b>10</b>
G $\frac{1}{8}$	6	13	27.5	21	7.4	11	22.5	<b>8030209</b>	<b>NPFC-L-2G18-F</b>	<b>10</b>
G $\frac{1}{4}$	8	16.5	33.8	25.5	9.5	13	36.2	<b>8030210</b>	<b>NPFC-L-2G14-F</b>	<b>10</b>
G $\frac{3}{8}$	11	20.5	38.3	28	10.5	17	54.1	<b>8030211</b>	<b>NPFC-L-2G38-F</b>	<b>10</b>
G $\frac{1}{2}$	15	25.5	44.8	32	13	20	91.5	<b>8030212</b>	<b>NPFC-L-2G12-F</b>	<b>10</b>
G $\frac{3}{4}$	19	32	52.5	36.5	14.5	27	161	<b>8030213</b>	<b>NPFC-L-2G34-F</b>	<b>10</b>
G1	24	39	64.5	45	16.5	30	238	<b>8030214</b>	<b>NPFC-L-2G1-F</b>	<b>10</b>

1) Packaging unit quantity

## Elbow fitting NPFC-L External thread/internal thread



Dimensions and ordering data															
Connection D1	D2	D3 Ø	D4 Ø	D5 Ø	H1	H2	L1	L2	L3	T1	$\approx C1$	Weight/piece [g]	Part no.	Type	PU <sup>1)</sup>
M5	M5	3	2.5	8.5	15.8	11.5	15.8	11.5	4	5	9	8.5	<b>8030215</b>	<b>NPFC-L-2M5-MF</b>	<b>10</b>
G $\frac{1}{8}$	R $\frac{1}{8}$	6	5.5	13	26	19	24.5	18	7.5	7.4	11	19.8	<b>8030216</b>	<b>NPFC-L-R18-G18-MF</b>	<b>10</b>
G $\frac{1}{4}$	R $\frac{1}{4}$	8	8	16.5	31.5	25.5	32.3	24	11	9.5	13	32.3	<b>8030217</b>	<b>NPFC-L-R14-G14-MF</b>	<b>10</b>
G $\frac{3}{8}$	R $\frac{3}{8}$	11	11	20.5	35.5	28	37.3	27	11.5	10.5	17	48.7	<b>8030218</b>	<b>NPFC-L-R38-G38-MF</b>	<b>10</b>
G $\frac{1}{2}$	R $\frac{1}{2}$	15	15	25.5	41.7	32	42.3	29.5	14	13	20	77.8	<b>8030219</b>	<b>NPFC-L-R12-G12-MF</b>	<b>10</b>
G $\frac{3}{4}$	R $\frac{3}{4}$	20	20	32	48.5	36.5	48	32	14.7	14.5	27	131.7	<b>8030220</b>	<b>NPFC-L-R34-G34-MF</b>	<b>10</b>
G1	R1	24	24	39	59.5	45	58.5	39	15.7	16.5	30	197.4	<b>8030221</b>	<b>NPFC-L-R1-G1-MF</b>	<b>10</b>

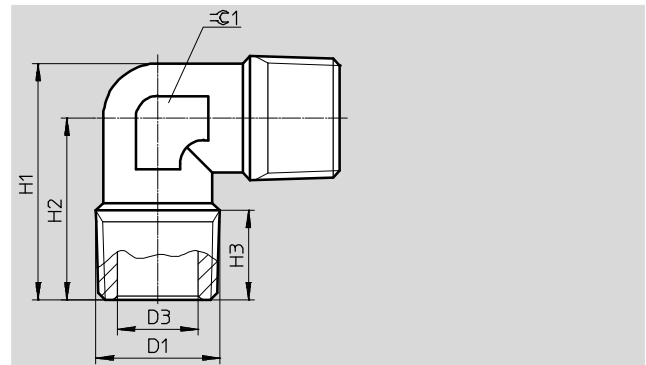
1) Packaging unit quantity

# Threaded fittings NPFC

Technical data

## Elbow fitting NPFC-L

External thread

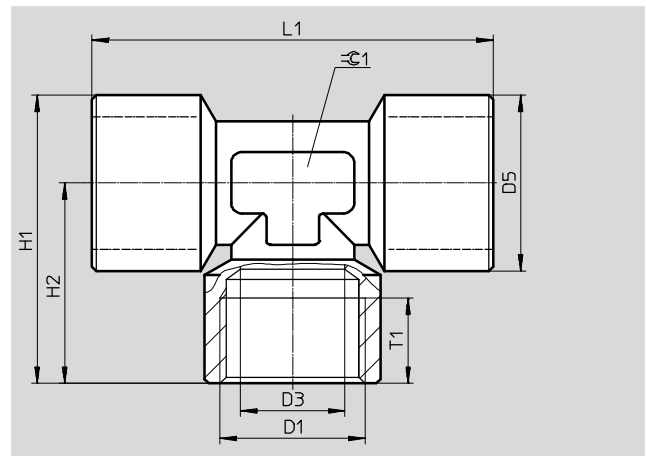


Dimensions and ordering data										
Connection	D3	H1	H2	H3	$\approx C1$	Weight/piece	Part no.	Type	PU <sup>1)</sup>	
D1	$\varnothing$					[g]				
M5	2.5	15.8	11.5	4	9	7.7	8030222	NPFC-L-2M5-M	10	
R $\frac{1}{8}$	5.5	23	18	7.5	11	16.1	8030223	NPFC-L-2R18-M	10	
R $\frac{1}{4}$	8	31	24	11	13	27.7	8030224	NPFC-L-2R14-M	10	
R $\frac{3}{8}$	11	34.5	27	11.5	17	43.3	8030225	NPFC-L-2R38-M	10	
R $\frac{1}{2}$	15	39.2	29.5	14	20	62	8030226	NPFC-L-2R12-M	10	
R $\frac{3}{4}$	19	44	32	13	27	102.6	8030227	NPFC-L-2R34-M	10	

1) Packaging unit quantity

## T-fitting NPFC-T

Internal thread



Dimensions and ordering data											
Connection	D3	D5	H1	H2	L1	T1	$\approx C1$	Weight/piece	Part no.	Type	PU <sup>1)</sup>
D1	$\varnothing$	$\varnothing$						[g]			
G $\frac{1}{8}$	6	13	26	19.5	39	7.4	12	28.9	8030235	NPFC-T-3G18-F	10
G $\frac{1}{4}$	8	16.5	32.8	24.5	49	9.5	13	49.3	8030236	NPFC-T-3G14-F	10
G $\frac{3}{8}$	11	20.5	37.3	27	54	10.5	16	71.9	8030237	NPFC-T-3G38-F	10
G $\frac{1}{2}$	15	25.5	44.8	32	64	13	20	129.3	8030238	NPFC-T-3G12-F	10
G $\frac{3}{4}$	19	32	52.5	36.5	73	14.5	27	214.3	8030239	NPFC-T-3G34-F	10
G1	24	39	64.5	45	90	16.5	30	353	8030240	NPFC-T-3G1-F	10

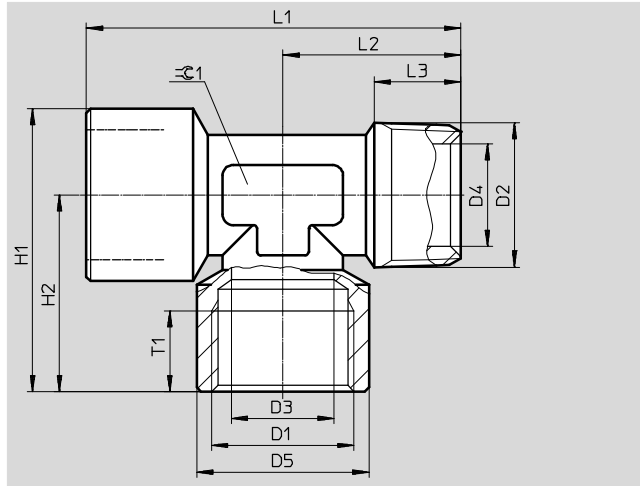
1) Packaging unit quantity

# Threaded fittings NPFC

Technical data

## T-fitting NPFC-T

Internal thread/external thread/  
internal thread

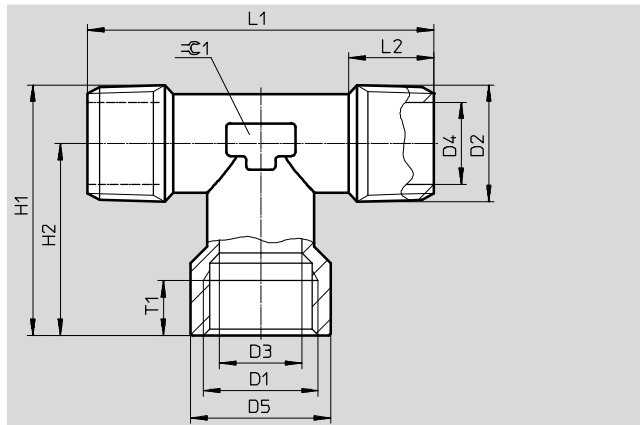


Dimensions and ordering data															
Connection		D3	D4	D5	H1	H2	L1	L2	L3	T1	$\approx C1$	Weight/piece [g]	Part no.	Type	PU <sup>1)</sup>
D1	D2	∅	∅	∅											
M5	M5	3	2.5	8.5	15.3	12	22	11	4	5	9	10.9	8030245	NPFC-T-3M5-FMF	10
G $\frac{1}{8}$	R $\frac{1}{8}$	6	6	13	26	19.5	37	17.5	7.5	7.4	12	26	8030246	NPFC-T-2G18-R18-FMF	10
G $\frac{1}{4}$	R $\frac{1}{4}$	8	8	16.5	32.8	24.6	47.5	23	11	9.5	13	44.4	8030247	NPFC-T-2G14-R14-FMF	10
G $\frac{3}{8}$	R $\frac{3}{8}$	11	11	20.5	37.3	27.1	52.5	25.5	11.5	10.5	16	65.8	8030248	NPFC-T-2G38-R38-FMF	10
G $\frac{1}{2}$	R $\frac{1}{2}$	15	15	25.5	44.8	32.1	61.5	29.5	14	13	20	114.2	8030249	NPFC-T-2G12-R12-FMF	10
G $\frac{3}{4}$	R $\frac{3}{4}$	19	19	32	52.5	36.5	68.5	32	14	14.5	27	186	8030250	NPFC-T-2G34-R34-FMF	10
G1	R1	24	24	39	64.5	45	84	39	16	16.5	30	296	8030251	NPFC-T-2G1-R1-FMF	10

1) Packaging unit quantity

## T-fitting NPFC-T

Internal thread/external thread/  
external thread



Dimensions and ordering data															
Connection		D3	D4	D5	H1	H2	L1	L2	T1	$\approx C1$	Weight/piece [g]	Part no.	Type	PU <sup>1)</sup>	
D1	D2	∅	∅	∅											
G $\frac{1}{8}$	R $\frac{1}{8}$	6	5.5	13	24.5	19.5	35	7.5	7.4	12	23.1	8030255	NPFC-T-G18-2R18-FMM	10	
G $\frac{1}{4}$	R $\frac{1}{4}$	8	8	16.5	31	24.5	46	11	9.5	13	40.3	8030256	NPFC-T-G14-2R14-FMM	10	
G $\frac{3}{8}$	R $\frac{3}{8}$	11	11	20.5	35.5	27	51.5	11.5	10.5	16	60.8	8030257	NPFC-T-G38-2R38-FMM	10	
G $\frac{1}{2}$	R $\frac{1}{2}$	15	15	25.5	42.8	32	59	14	13	20	100.7	8030258	NPFC-T-G12-2R12-FMM	10	

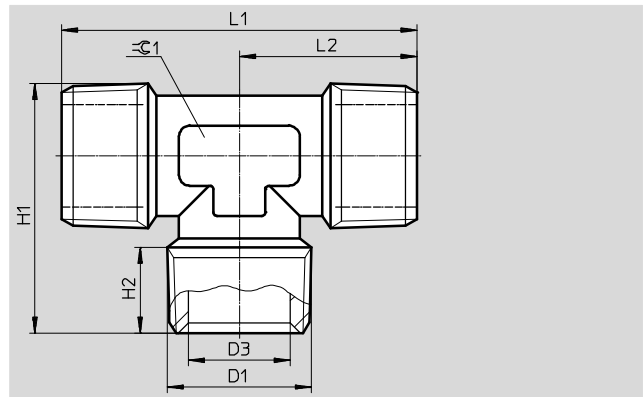
1) Packaging unit quantity

# Threaded fittings NPFC

Technical data

## T-fitting NPFC-T

External thread

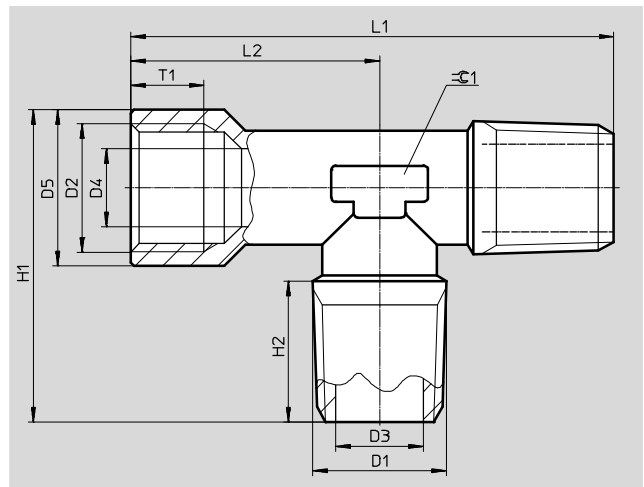


Dimensions and ordering data											
Connection	D3	H1	H2	L1	L2	$\approx \zeta 1$	Weight/piece	Part no.	Type	PU <sup>1)</sup>	
D1	$\varnothing$						[g]				
R $\frac{1}{4}$	8	29.8	11	46	23	13	36.2	8030252	NPFC-T-3R14-M	10	
R $\frac{3}{8}$	11	34.1	11.5	51.5	25.5	16	54.9	8030253	NPFC-T-3R38-M	10	
R $\frac{1}{2}$	15	40.3	14	59	29.5	20	86	8030254	NPFC-T-3R12-M	10	

1) Packaging unit quantity

## T-fitting NPFC-T

External thread/external thread/  
internal thread



Dimensions and ordering data														
Connection	D2	D3	D4	D5	H1	H2	L1	L2	T1	$\approx \zeta 1$	Weight/piece	Part no.	Type	PU <sup>1)</sup>
D1	$\varnothing$	$\varnothing$	$\varnothing$	$\varnothing$							[g]			
R $\frac{1}{8}$	G $\frac{1}{8}$	5.5	6	13	24	7.5	37	19.5	7.4	12	23.2	8030259	NPFC-T-2R18-G18-MMF	10
R $\frac{1}{4}$	G $\frac{1}{4}$	8	8	16.5	31.3	11	47.5	24.5	9.5	13	40.3	8030260	NPFC-T-2R14-G14-MMF	10
R $\frac{1}{2}$	G $\frac{1}{2}$	15	15	25.5	42.3	14	61.5	32	13	20	100.6	8030261	NPFC-T-2R12-G12-MMF	10

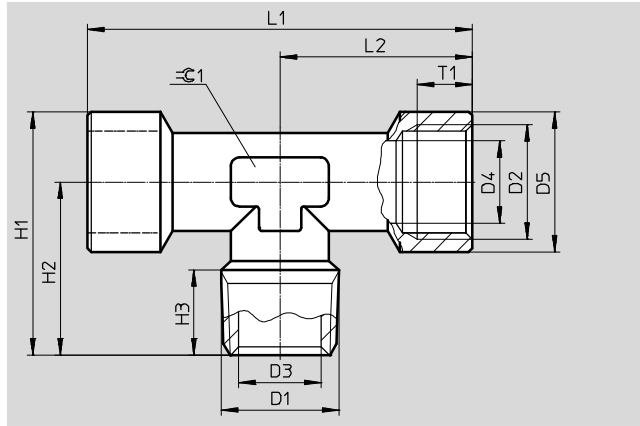
1) Packaging unit quantity

# Threaded fittings NPFC

Technical data

## T-fitting NPFC-T

External thread/internal thread/  
internal thread



Dimensions and ordering data															
Connection		D3	D4	D5	H1	H2	H3	L1	L2	T1	$\sqrt{\text{C}}1$	Weight/piece [g]	Part no.	Type	PU <sup>1)</sup>
D1	D2	∅	∅	∅											
R $\frac{1}{8}$	G $\frac{1}{8}$	5.5	6	13	24	17.5	8	39	19.5	7.4	12	26.3	<b>8030241</b>	<b>NPFC-T-R18-2G18-MFF</b>	<b>10</b>
R $\frac{1}{4}$	G $\frac{1}{4}$	8	8	16.5	31.3	23	11	49	24.5	9.5	13	45	<b>8030242</b>	<b>NPFC-T-R14-2G14-MFF</b>	<b>10</b>
R $\frac{3}{8}$	G $\frac{3}{8}$	11	11	20.5	35.8	25.5	11.5	54	27	10.5	16	65.9	<b>8030243</b>	<b>NPFC-T-R38-2G38-MFF</b>	<b>10</b>
R $\frac{1}{2}$	G $\frac{1}{2}$	15	15	25.5	41.8	29	14	64	32	13	20	114.7	<b>8030244</b>	<b>NPFC-T-R12-2G12-MFF</b>	<b>10</b>

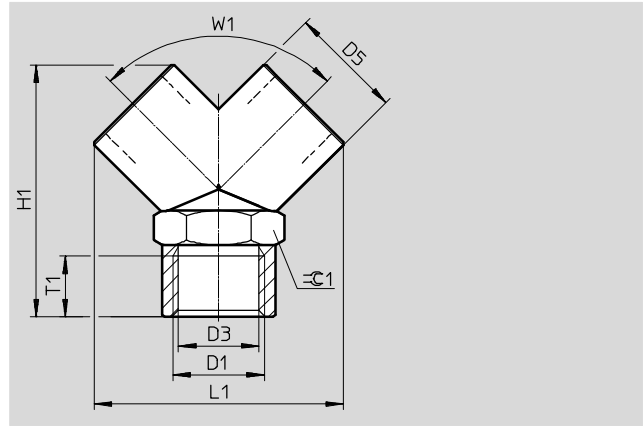
1) Packaging unit quantity

# Threaded fittings NPFC

Technical data

## Y-fitting NPFC-Y

Internal thread

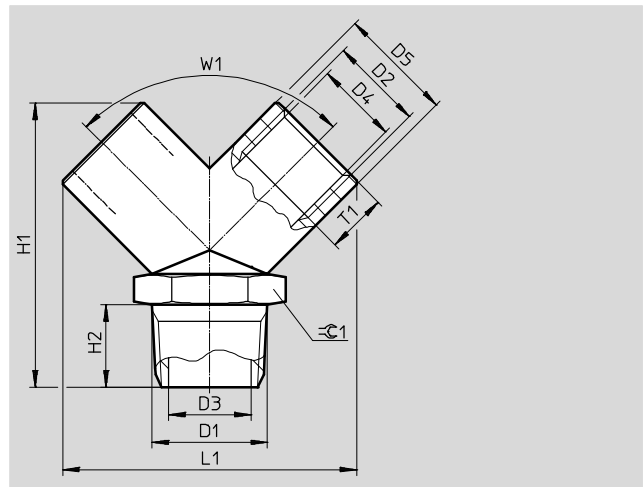


Dimensions and ordering data											
Connection	D3	D5	H1	L1	T1	W1	≈C1	Weight/piece	Part no.	Type	PU <sup>1)</sup>
D1	∅	∅						[g]			
G <sup>1</sup> / <sub>4</sub>	11.5	17	36.8	36.8	9.5	90°	17	41.6	8030228	NPFC-Y-3G14-F	10
G <sup>3</sup> / <sub>8</sub>	15	22	46	46	10.5	90°	22	91.9	8030229	NPFC-Y-3G38-F	10
G <sup>1</sup> / <sub>2</sub>	18.5	26	58	57.3	13	90°	26	144.6	8030230	NPFC-Y-3G12-F	10

1) Packaging unit quantity

## Y-fitting NPFC-Y

External thread/internal thread/  
internal thread



Dimensions and ordering data														
Connection	D3	D4	D5	H1	H2	L1	T1	W1	≈C1	Weight/piece	Part no.	Type	PU <sup>1)</sup>	
D1	D2	∅	∅	∅						[g]				
R <sup>1</sup> / <sub>8</sub>	G <sup>1</sup> / <sub>8</sub>	5.5	8.5	14	32.8	9	32.5	8.5	90°	14	30.7	8030231	NPFC-Y-R18-2G18-MFF	10
R <sup>1</sup> / <sub>4</sub>	G <sup>1</sup> / <sub>4</sub>	8	11.5	17	37	11	37	9.5	90°	17	40.8	8030232	NPFC-Y-R14-2G14-MFF	10
R <sup>3</sup> / <sub>8</sub>	G <sup>3</sup> / <sub>8</sub>	11	15	22	46	12.5	46	10.5	90°	22	86.7	8030233	NPFC-Y-R38-2G38-MFF	10
R <sup>1</sup> / <sub>2</sub>	G <sup>1</sup> / <sub>2</sub>	15	18.5	26	58	16.5	57.3	13	90°	26	138.5	8030234	NPFC-Y-R12-2G12-MFF	10

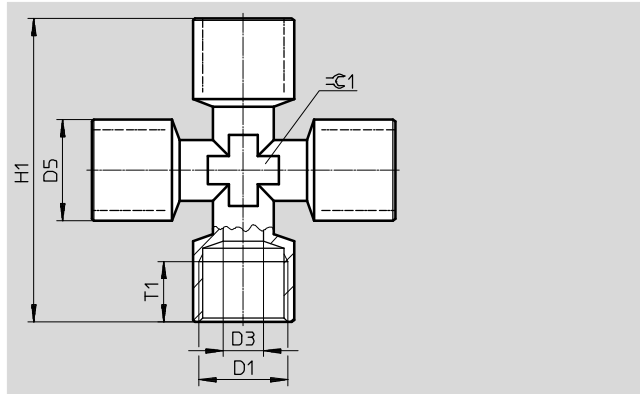
1) Packaging unit quantity

# Threaded fittings NPFC

Technical data

## X-fitting NPFC-X

Internal thread

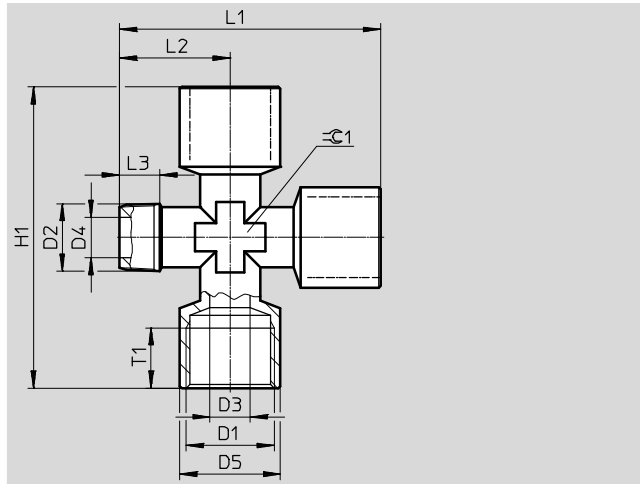


Dimensions and ordering data										
Connection	D3	D5	H1	T1	≈C1	Weight/piece [g]	Part no.	Type	PU <sup>1)</sup>	
D1	∅	∅								
G <sup>1</sup> / <sub>4</sub>	8	16.5	50	9.5	13	63.7	<b>8030262</b>	<b>NPFC-X-4G14-F</b>	<b>10</b>	
G <sup>3</sup> / <sub>8</sub>	11	20.5	56	10.5	17	100.1	<b>8030263</b>	<b>NPFC-X-4G38-F</b>	<b>10</b>	
G <sup>1</sup> / <sub>2</sub>	15	25.5	64	13	20	164.1	<b>8030264</b>	<b>NPFC-X-4G12-F</b>	<b>10</b>	

1) Packaging unit quantity

## X-fitting NPFC-X

External thread/internal thread/  
internal thread/internal thread



Dimensions and ordering data														
Connection	D2	D3	D4	D5	H1	L1	L2	L3	T1	≈C1	Weight/piece [g]	Part no.	Type	PU <sup>1)</sup>
D1		∅	∅	∅										
G <sup>1</sup> / <sub>4</sub>	R <sup>1</sup> / <sub>4</sub>	8	8	16.5	50	48.5	23.5	11	9.5	13	59.6	<b>8030265</b>	<b>NPFC-X-R14-3G14-MFFF</b>	<b>10</b>
G <sup>1</sup> / <sub>2</sub>	R <sup>1</sup> / <sub>2</sub>	15	15	25.5	64	61	29	14	13	20	146.7	<b>8030266</b>	<b>NPFC-X-R12-3G12-MFFF</b>	<b>10</b>

1) Packaging unit quantity



## Product Range and Company Overview

### A Complete Suite and Company Overview

Our experienced engineers provide complete support at every stage of your development process, including: conceptualization, analysis, engineering, design, assembly, documentation, validation, and production.



**Custom Automation Components**  
Complete custom engineered solutions



**Custom Control Cabinets**  
Comprehensive engineering support and on-site services



**Complete Systems**  
Shipment, stocking and storage services

### The Broadest Range of Automation Components

With a comprehensive line of more than 30,000 automation components, Festo is capable of solving the most complex automation requirements.



**Electromechanical**  
Electromechanical actuators, motors, controllers & drivers



**Pneumatics**  
Pneumatic linear and rotary actuators, valves, and air supply



**PLCs and I/O Devices**  
PLC's, operator interfaces, sensors and I/O devices

### Supporting Advanced Automation... As No One Else Can!

Festo is a leading global manufacturer of pneumatic and electromechanical systems, components and controls for industrial automation, with more than 16,000 employees in 60 national headquarters serving more than 180 countries. For more than 80 years, Festo has continuously elevated the state of manufacturing with innovations and optimized motion control solutions that deliver higher performing, more profitable automated manufacturing and processing equipment. Our dedication to the advancement of automation extends beyond technology to the education and development of current and future automation and robotics designers with simulation tools, teaching programs, and on-site services.

### Quality Assurance, ISO 9001 and ISO 14001 Certifications

Festo Corporation is committed to supply all Festo products and services that will meet or exceed our customers' requirements in product quality, delivery, customer service and satisfaction.

To meet this commitment, we strive to ensure a consistent, integrated, and systematic approach to management that will meet or exceed the requirements of the ISO 9001 standard for Quality Management and the ISO 14001 standard for Environmental Management.

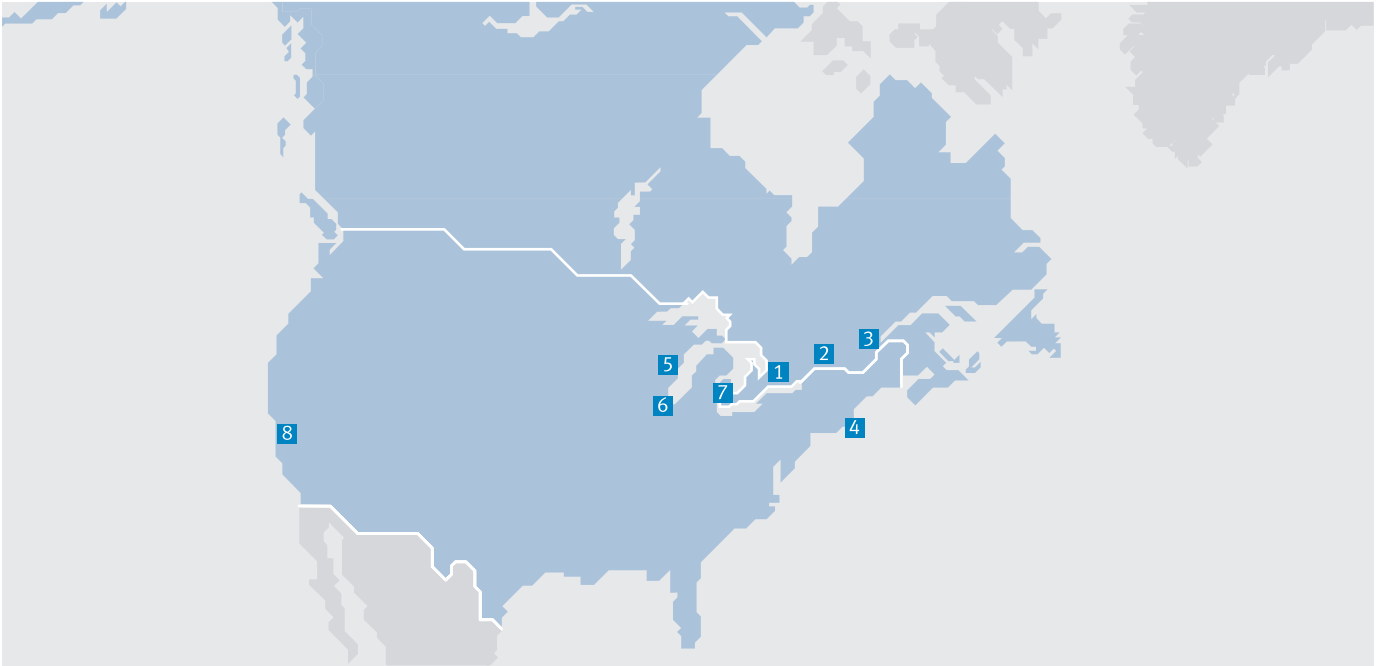


© Copyright 2013, Festo Corporation. While every effort is made to ensure that all dimensions and specifications are correct, Festo cannot guarantee that publications are completely free of any error, in particular typing or printing errors. Accordingly, Festo cannot be held responsible for the same. For Liability and Warranty conditions, refer to our "Terms and Conditions of Sale", available from your local Festo office. All rights reserved. No part of this publication may be reproduced, distributed, or transmitted in any form or by any means, electronic, mechanical, photocopying or otherwise, without the prior written permission of Festo. All technical data subject to change according to technical update.



Printed on recycled paper at New Horizon Graphic, Inc., FSC certified as an environmental friendly printing plant.

# Festo North America



**1 Festo Canada  
Headquarters  
Festo Inc.**  
5300 Explorer Drive  
Mississauga, ON  
L4W 5G4

**2 Montréal**  
5600, Trans-Canada  
Pointe-Claire, QC  
H9R 1B6

**3 Québec City**  
2930, rue Watt#117  
Québec, QC  
G1X 4G3



**4 Festo United States  
Headquarters  
Festo Corporation**  
395 Moreland Road  
Hauppauge, NY  
11788

**5 Appleton**  
North 922 Tower View Drive, Suite N  
Greenville, WI  
54942

**7 Detroit**  
1441 West Long Lake Road  
Troy, MI  
48098

**6 Chicago**  
85 W Algonquin - Suite 340  
Arlington Heights, IL  
60005

**8 Silicon Valley**  
4935 Southfront Road, Suite F  
Livermore, CA  
94550

## Festo Regional Contact Center

### Canadian Customers

Commercial Support:  
Tel: 1 877 GO FESTO (1 877 463 3786)  
Fax: 1 877 FX FESTO (1 877 393 3786)  
Email: festo.canada@ca.festo.com

Technical Support:  
Tel: 1 866 GO FESTO (1 866 463 3786)  
Fax: 1 877 FX FESTO (1 877 393 3786)  
Email: technical.support@ca.festo.com

### USA Customers

Commercial Support:  
Tel: 1 800 99 FESTO (1 800 993 3786)  
Fax: 1 800 96 FESTO (1 800 963 3786)  
Email: customer.service@us.festo.com

Technical Support:  
Tel: 1 866 GO FESTO (1 866 463 3786)  
Fax: 1 800 96 FESTO (1 800 963 3786)  
Email: product.support@us.festo.com