

Connecting cables, Sub-D, 37-pin

Technical data

Connecting cable
NEBV-S1W37

- Connecting cable for multi-pin plug connection
- Pre-assembled
- Cable lengths 2.5 m, 5 m or 10 m
- 10-wire, 26-wire, 27-wire or 37-wire
- Sub-D, 37-pin



General technical data	
Electrical connection	Socket, 37-pin, Sub-D
Nominal operating voltage [V DC]	24
Operating voltage range [V DC]	21.6 ... 26.4
Conductor nominal cross section [mm ²]	0.34
Cable characteristics	Standard
Degree of protection	IP65
	NEMA4

Materials			
Type	NEBV-S1W37-E...	NEBV-S1W37-K...	NEBV-S1W37-KM...
Housing	PA	PA	PA
Cable sheath	TPE-U (polyurethane)	TPE-U (polyurethane)	PVC

Operating and environmental conditions	
Ambient temperature [°C]	-5 ... +50

Connecting cables, Sub-D, 37-pin

Technical data

Circuitry (socket view)									
		NEBV-S1W37-...-LE10		NEBV-S1W37-...-LE26		NEBV-S1W37-...-LE27		NEBV-S1W37-...-LE37	
		Pin	Wire colour ¹⁾	Pin	Wire colour ¹⁾	Pin	Wire colour ¹⁾	Pin	Wire colour ¹⁾
	1	WH	1	WH	1	WH	1	WH	
	2	BN	2	BN	2	BN	2	BN	
	3	GN	3	GN	3	GN	3	GN	
	4	YE	4	YE	4	YE	4	YE	
	5	GY	5	GY	5	GY	5	GY	
	6	PK	6	PK	6	PK	6	PK	
	7	BU	7	BU	7	BU	7	BU	
	8	RD	8	RD	8	RD	8	RD	
	9	–	9	GY PK	9	GY PK	9	GY PK	
	10	–	10	RD BU	10	RD BU	10	RD BU	
	11	–	11	WH GN	11	WH GN	11	WH GN	
	12	–	12	BN GN	12	BN GN	12	BN GN	
	13	–	13	WH YE	13	WH YE	13	WH YE	
	14	–	14	YE BN	14	YE BN	14	YE BN	
	15	–	15	WH GY	15	WH GY	15	WH GY	
	16	–	16	GY BN	16	GY BN	16	GY BN	
	17	–	17	WH PK	17	WH PK	17	WH PK	
	18	–	18	PK BN	18	PK BN	18	PK BN	
	19	–	19	WH BU	19	WH BU	19	WH BU	
	20	–	20	BN BU	20	BN BU	20	BN BU	
	21	–	21	WH RD	21	WH RD	21	WH RD	
	22	–	22	BN RD	22	BN RD	22	BN RD	
	23	–	23	–	23	GY GN	23	GY GN	
	24	–	24	–	24	–	24	YE GY	
	25	–	25	–	25	–	25	PK GN	
	26	–	26	–	26	–	26	YE PK	
	27	–	27	–	27	–	27	GN BU	
	28	–	28	–	28	–	28	YE BU	
	29	–	29	–	29	–	29	GN RD	
	30	–	30	–	30	–	30	YE RD	
	31	–	31	–	31	–	31	GN BK	
	32	–	32	–	32	–	32	GY BU	
	33	–	33	–	33	–	33	YE BK	
	34	–	34	WH BK	34	WH BK	34	WH BK	
	35	–	35	BN BK	35	BN BK	35	BN BK	
	36	BK	36	BK	36	BK	36	BK	
	37	VT	37	VT	37	VT	37	VT	

1) To IEC 757

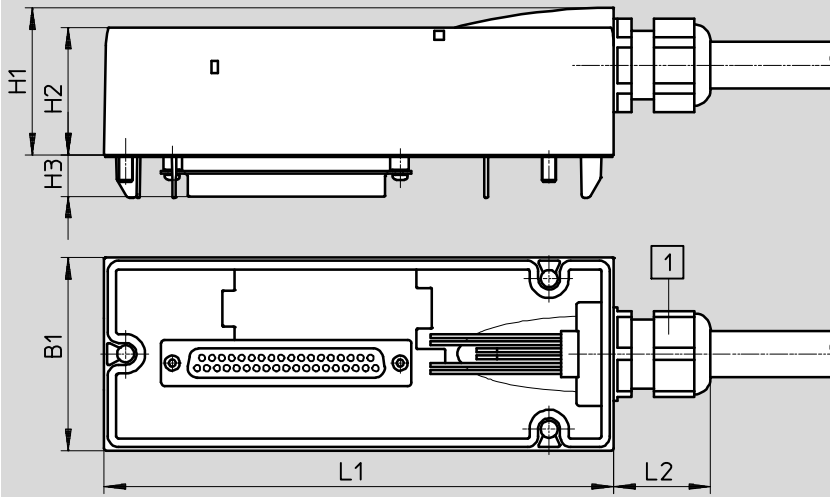
Connecting cables, Sub-D, 37-pin

Technical data

FESTO

Dimensions

Download CAD data → www.festo.com



1 Cable connector M20x1.5

Type	B1	H1	H2	H3	L1	L2
NEBV-S1W37-...	54	41	36	11.6	142	27

Ordering data

	Electrical connection	Cable composition [mm ²]	Cable Ø [mm]	Cable length [m]	Product weight [g]	Part No.	Type
Cable sheath TPE-U (polyurethane)							
	Socket, 37-pin, Sub-D	10x0.34	7.7	2.5	383	539240	NEBV-S1W37-E-2.5-LE10
				5	570	539241	NEBV-S1W37-E-5-LE10
				10	954	539242	NEBV-S1W37-E-10-LE10
		26x0.34	11.5	2.5	649	539243	NEBV-S1W37-E-2.5-LE26
				5	1101	539244	NEBV-S1W37-E-5-LE26
				10	2010	539245	NEBV-S1W37-E-10-LE26
		37x0.34	13	2.5	820	539246	NEBV-S1W37-K-2.5-LE37
				5	1422	539247	NEBV-S1W37-K-5-LE37
				10	2619	539248	NEBV-S1W37-K-10-LE37
Cable sheath PVC							
	Socket, 37-pin, Sub-D	10x0.34	7.7	2.5	388	543271	NEBV-S1W37-KM-2.5-LE10
				5	592	543272	NEBV-S1W37-KM-5-LE10
				10	997	543273	NEBV-S1W37-KM-10-LE10
		27x0.34	11.5	2.5	749	543274	NEBV-S1W37-KM-2.5-LE27
				5	1285	543275	NEBV-S1W37-KM-5-LE27
				10	2371	543276	NEBV-S1W37-KM-10-LE27
		37x0.34	13	2.5	903	543277	NEBV-S1W37-KM-2.5-LE37
				5	1610	543278	NEBV-S1W37-KM-5-LE37
				10	2955	543279	NEBV-S1W37-KM-10-LE37

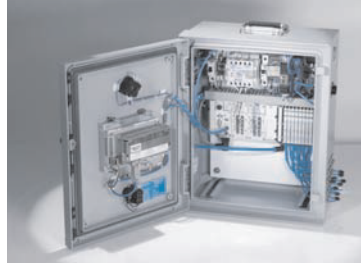
Product Range and Company Overview

A Complete Suite and Company Overview

Our experienced engineers provide complete support at every stage of your development process, including: conceptualization, analysis, engineering, design, assembly, documentation, validation, and production.



Custom Automation Components
Complete custom engineered solutions



Custom Control Cabinets
Comprehensive engineering support and on-site services



Complete Systems
Shipment, stocking and storage services

The Broadest Range of Automation Components

With a comprehensive line of more than 30,000 automation components, Festo is capable of solving the most complex automation requirements.



Electromechanical
Electromechanical actuators, motors, controllers & drivers



Pneumatics
Pneumatic linear and rotary actuators, valves, and air supply



PLCs and I/O Devices
PLC's, operator interfaces, sensors and I/O devices

Supporting Advanced Automation... As No One Else Can!

Festo is a leading global manufacturer of pneumatic and electromechanical systems, components and controls for industrial automation, with more than 16,000 employees in 60 national headquarters serving more than 180 countries. For more than 80 years, Festo has continuously elevated the state of manufacturing with innovations and optimized motion control solutions that deliver higher performing, more profitable automated manufacturing and processing equipment. Our dedication to the advancement of automation extends beyond technology to the education and development of current and future automation and robotics designers with simulation tools, teaching programs, and on-site services.

Quality Assurance, ISO 9001 and ISO 14001 Certifications

Festo Corporation is committed to supply all Festo products and services that will meet or exceed our customers' requirements in product quality, delivery, customer service and satisfaction.

To meet this commitment, we strive to ensure a consistent, integrated, and systematic approach to management that will meet or exceed the requirements of the ISO 9001 standard for Quality Management and the ISO 14001 standard for Environmental Management.

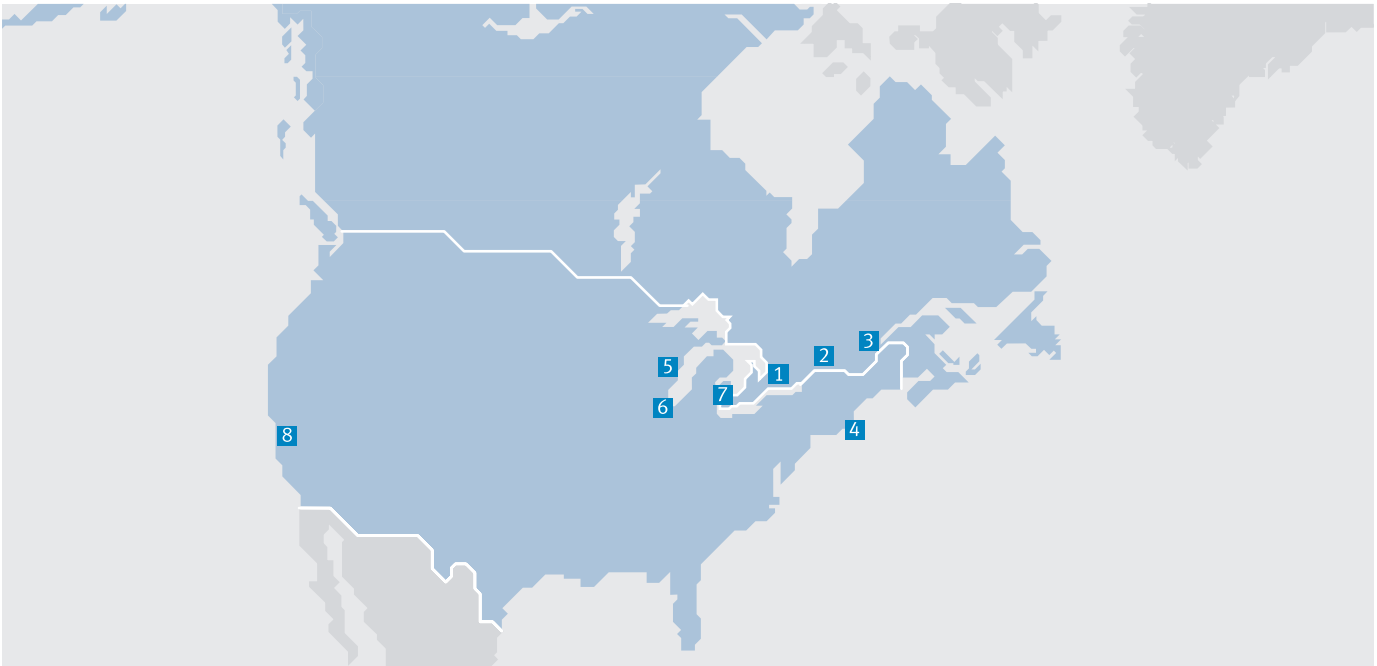


© Copyright 2013, Festo Corporation. While every effort is made to ensure that all dimensions and specifications are correct, Festo cannot guarantee that publications are completely free of any error, in particular typing or printing errors. Accordingly, Festo cannot be held responsible for the same. For Liability and Warranty conditions, refer to our "Terms and Conditions of Sale", available from your local Festo office. All rights reserved. No part of this publication may be reproduced, distributed, or transmitted in any form or by any means, electronic, mechanical, photocopying or otherwise, without the prior written permission of Festo. All technical data subject to change according to technical update.



Printed on recycled paper at New Horizon Graphic, Inc., FSC certified as an environmental friendly printing plant.

Festo North America



**1 Festo Canada
Headquarters
Festo Inc.**
5300 Explorer Drive
Mississauga, ON
L4W 5G4

2 Montréal
5600, Trans-Canada
Pointe-Claire, QC
H9R 1B6

3 Québec City
2930, rue Watt#117
Québec, QC
G1X 4G3



**4 Festo United States
Headquarters
Festo Corporation**
395 Moreland Road
Hauppauge, NY
11788

5 Appleton
North 922 Tower View Drive, Suite N
Greenville, WI
54942

7 Detroit
1441 West Long Lake Road
Troy, MI
48098

6 Chicago
85 W Algonquin - Suite 340
Arlington Heights, IL
60005

8 Silicon Valley
4935 Southfront Road, Suite F
Livermore, CA
94550

Festo Regional Contact Center

Canadian Customers

Commercial Support:
Tel: 1 877 GO FESTO (1 877 463 3786)
Fax: 1 877 FX FESTO (1 877 393 3786)
Email: festo.canada@ca.festo.com

Technical Support:
Tel: 1 866 GO FESTO (1 866 463 3786)
Fax: 1 877 FX FESTO (1 877 393 3786)
Email: technical.support@ca.festo.com

USA Customers

Commercial Support:
Tel: 1 800 99 FESTO (1 800 993 3786)
Fax: 1 800 96 FESTO (1 800 963 3786)
Email: customer.service@us.festo.com

Technical Support:
Tel: 1 866 GO FESTO (1 866 463 3786)
Fax: 1 800 96 FESTO (1 800 963 3786)
Email: product.support@us.festo.com

Subject to change

Internet: www.festo.com/us