

Multiple connectors KSV/KDVF





Multiple connectors KSV/KDVF

Technical data

FESTO

Multi-plug KSV
Multi-socket KDVF

-  - Temperature range
-10 ... +60 °C

-  - Operating pressure
-0.95 ... 16 bar



The plug and socket connections are numbered, and a locating lug prevents them from being incorrectly matched

during connection. The connector is tightened and secured with a retaining ring.

The multi-plug has a half-shell housing and can accommodate a conduit. An additional internal sleeve

ensures strain relief for the tubing, and protects it against damage.

General technical data							
Multi-plug	KSV-5	KSV-8	KSV-16-B	KSV-32-B	KSV6-7	KSV6-12	KSV6-22
Multi-socket	KDVF-5	KDVF-8	KDVF-16-B	KDVF-32-B	KDVF6-7	KDVF6-12	KDVF6-22
Max. connections	5	8	16	32	7	12	22
Pneumatic connection	PK-2				PK-6		
	PK-3						
	PK-4						
Nominal size [mm]	4				6		
Type of mounting	Mounting flange on multi-socket						
Weights (multi-plug with multi-socket) [g]	113	164	287	505	151	229	338

Operating and environmental conditions		
Multi-plug	KSV	KSV6
Multi-socket	KDVF	KDVF6
Operating pressure [bar]	-0.95 ... +16 ¹⁾	
Operating medium	Compressed air in accordance with ISO 8573-1:2010 [7:--:-]	
Note on operating/pilot medium	Operation with lubricated medium possible (in which case lubricated operation will always be required)	
Ambient temperature [°C]	-10 ... +60	
Temperature of medium [°C]	-10 ... +60	
Corrosion resistance class CRC ²⁾	2	

1) Observe operating range of tubing

2) Corrosion resistance class 2 according to Festo standard 940 070

Components subject to moderate corrosion stress. Externally visible parts with primarily decorative surface requirements which are in direct contact with a normal industrial environment or media such as coolants or lubricating agents.

Materials	
Housing	POM Colour: grey
Nipple	Brass
Eye nut	Aluminium
Note on materials	Conforms to RoHS

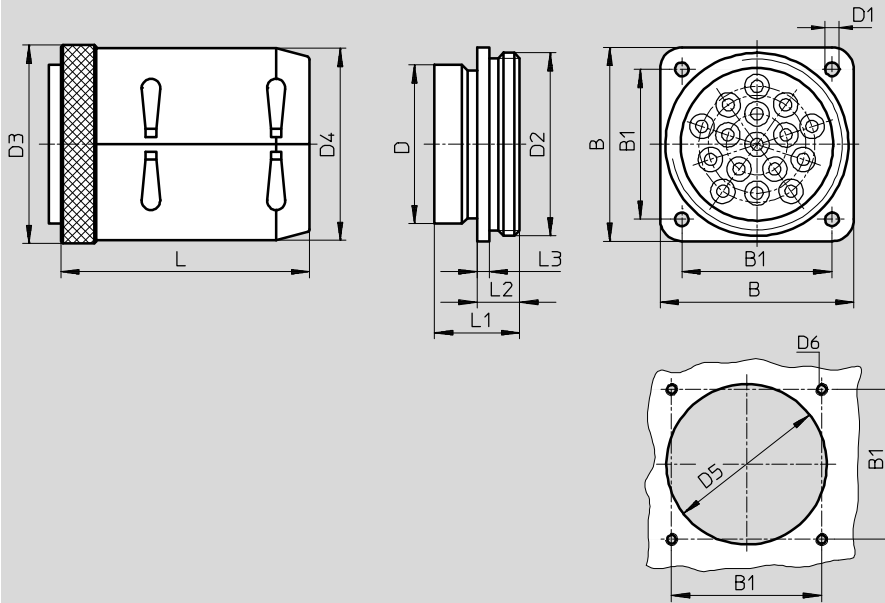
Multiple connectors KSV/KDVF

Technical data

FESTO

Dimensions

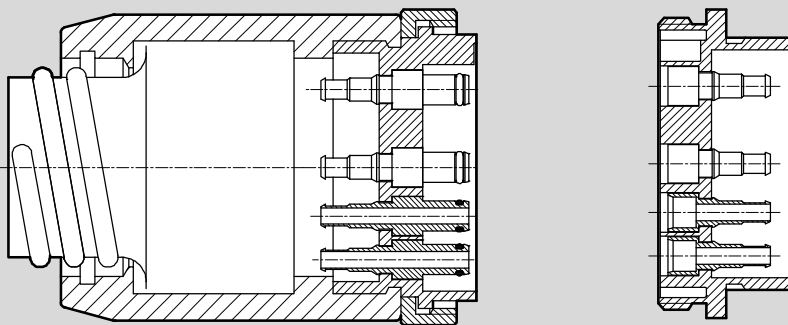
Download CAD data → www.festo.com



Max. connections	B	B1	D ∅	D1 ∅	D2	D3 ∅	D4 ∅	D5 min. ∅	D6	L	L1	L2	L3
5	41.2	31.7	30	4.5	M36x1.5	42	40	30.5	M4	71	23.5	13.5	3.5
7	50.8	39.6	40	4.5	M45x1.5	50	50	40.5	M4	77	23.5	13.5	3.5
8	50.8	39.6	40	4.5	M45x1.5	50	50	40.5	M4	77	23.5	13.5	3.5
12	63.5	49.2	52	4.5	M60x1.5	65	63	52.5	M4	82	28	14	4
16	63.5	49.2	52	4.5	M60x1.5	65	63	52.5	M4	82	28	14	4
22	82.6	66.6	70	6.6	M80x1.5	88	80	70.5	M6	87	29	15	4
32	82.6	66.6	70	6.6	M80x1.5	88	80	70.5	M6	87	29	15	4

Multi-plug

Multi-socket



Multi-plugs, multi-sockets, terminal plugs and sockets must be ordered separately in accordance with the number of connections required.

Ordering data

Max. connections	Pneumatic connection	Multi-plug		Multi-socket	
		Part No.	Type	Part No.	Type
5	PK-2, PK-3, PK-4	7557	KSV-5	7562	KDVF-5
8		7558	KSV-8	7563	KDVF-8
16		7559	KSV-16-B	7564	KDVF-16-B
32		7560	KSV-32-B	7565	KDVF-32-B
7	PK-6	152506	KSV6-7	152509	KDVF6-7
12		152507	KSV6-12	152510	KDVF6-12
		152508	KSV6-22	152511	KDVF6-22
22					

Multiple connectors KSV/KDVF

Accessories



Terminal plug KSV
Terminal socket KDVF

Material:
Brass

Note on materials:
Conforms to RoHS



Operating and environmental conditions	
Operating medium	Compressed air in accordance with ISO 8573-1:2010 [7:--:-]
Note on operating/pilot medium	Operation with lubricated medium possible
Corrosion resistance class CRC ¹⁾	1

1) Corrosion resistance class 1 according to Festo standard 940 070
Components subject to low corrosion stress. Transport and storage protection. Parts that do not have primarily decorative surface requirements, e.g. in internal areas that are not visible or behind covers

Ordering data							
Pneumatic connection	Nominal size [mm]	Terminal plug			Terminal socket		
		Part No.	Type	PU ¹⁾	Part No.	Type	PU ¹⁾
PK-2 for tubing O.D. 3 mm	1.5	33384	KSV-PK-2	10	244937	KDV-PK-2	10
PK-3 for tubing O.D. 4 mm	2.5	7215	KSV-PK-3	10	208378	KDV-PK-3	10
PK-4 for tubing O.D. 6 mm	3.4	7216	KSV-PK-4	10	208380	KDV-PK-4	10
PK-6 for tubing O.D. 8 mm	5.3	117945	KSV6-PK-6	10	337348	KDV6-PK-6	10

1) Packaging unit quantity

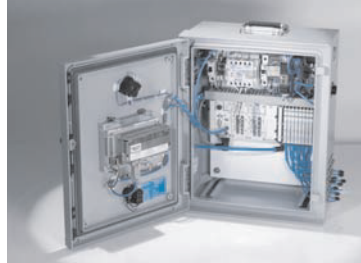
Product Range and Company Overview

A Complete Suite and Company Overview

Our experienced engineers provide complete support at every stage of your development process, including: conceptualization, analysis, engineering, design, assembly, documentation, validation, and production.



Custom Automation Components
Complete custom engineered solutions



Custom Control Cabinets
Comprehensive engineering support and on-site services



Complete Systems
Shipment, stocking and storage services

The Broadest Range of Automation Components

With a comprehensive line of more than 30,000 automation components, Festo is capable of solving the most complex automation requirements.



Electromechanical
Electromechanical actuators, motors, controllers & drivers



Pneumatics
Pneumatic linear and rotary actuators, valves, and air supply



PLCs and I/O Devices
PLC's, operator interfaces, sensors and I/O devices

Supporting Advanced Automation... As No One Else Can!

Festo is a leading global manufacturer of pneumatic and electromechanical systems, components and controls for industrial automation, with more than 16,000 employees in 60 national headquarters serving more than 180 countries. For more than 80 years, Festo has continuously elevated the state of manufacturing with innovations and optimized motion control solutions that deliver higher performing, more profitable automated manufacturing and processing equipment. Our dedication to the advancement of automation extends beyond technology to the education and development of current and future automation and robotics designers with simulation tools, teaching programs, and on-site services.

Quality Assurance, ISO 9001 and ISO 14001 Certifications

Festo Corporation is committed to supply all Festo products and services that will meet or exceed our customers' requirements in product quality, delivery, customer service and satisfaction.

To meet this commitment, we strive to ensure a consistent, integrated, and systematic approach to management that will meet or exceed the requirements of the ISO 9001 standard for Quality Management and the ISO 14001 standard for Environmental Management.

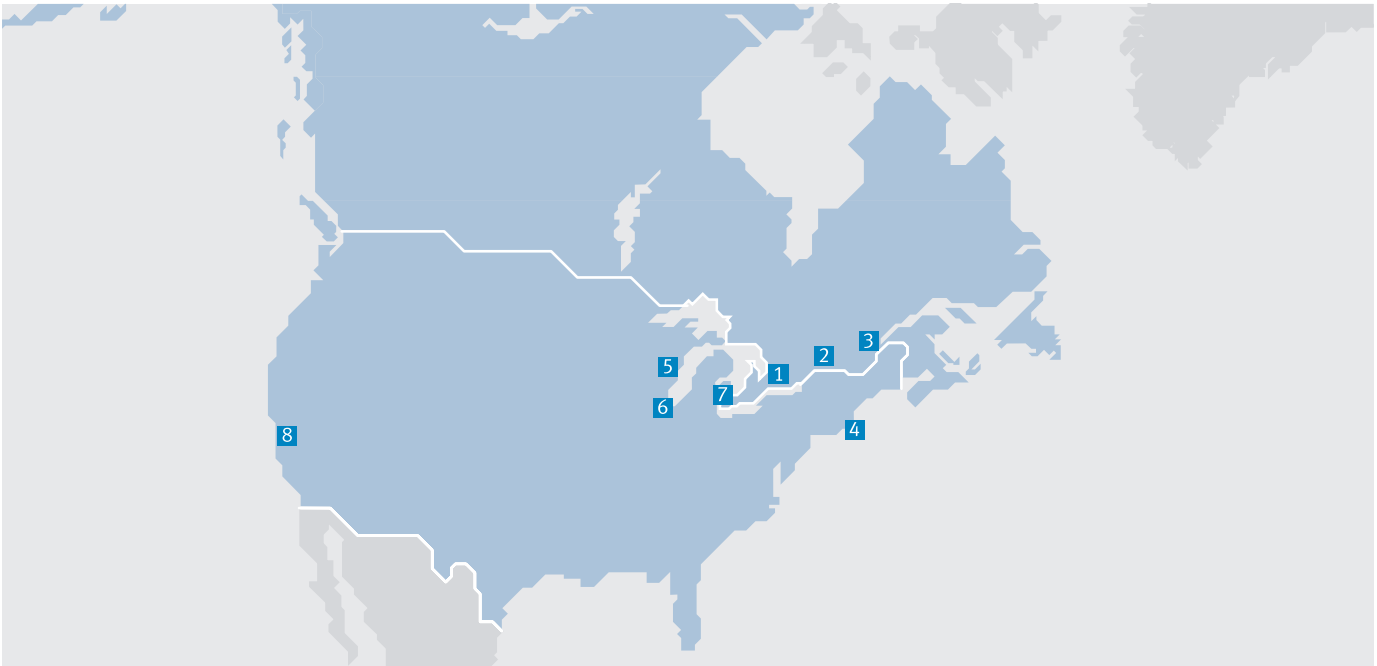


© Copyright 2013, Festo Corporation. While every effort is made to ensure that all dimensions and specifications are correct, Festo cannot guarantee that publications are completely free of any error, in particular typing or printing errors. Accordingly, Festo cannot be held responsible for the same. For Liability and Warranty conditions, refer to our "Terms and Conditions of Sale", available from your local Festo office. All rights reserved. No part of this publication may be reproduced, distributed, or transmitted in any form or by any means, electronic, mechanical, photocopying or otherwise, without the prior written permission of Festo. All technical data subject to change according to technical update.



Printed on recycled paper at New Horizon Graphic, Inc., FSC certified as an environmental friendly printing plant.

Festo North America



**1 Festo Canada
Headquarters
Festo Inc.**
5300 Explorer Drive
Mississauga, ON
L4W 5G4

2 Montréal
5600, Trans-Canada
Pointe-Claire, QC
H9R 1B6

3 Québec City
2930, rue Watt#117
Québec, QC
G1X 4G3



**4 Festo United States
Headquarters
Festo Corporation**
395 Moreland Road
Hauppauge, NY
11788

5 Appleton
North 922 Tower View Drive, Suite N
Greenville, WI
54942

7 Detroit
1441 West Long Lake Road
Troy, MI
48098

6 Chicago
85 W Algonquin - Suite 340
Arlington Heights, IL
60005

8 Silicon Valley
4935 Southfront Road, Suite F
Livermore, CA
94550

Festo Regional Contact Center

Canadian Customers

Commercial Support:
Tel: 1 877 GO FESTO (1 877 463 3786)
Fax: 1 877 FX FESTO (1 877 393 3786)
Email: festo.canada@ca.festo.com

Technical Support:
Tel: 1 866 GO FESTO (1 866 463 3786)
Fax: 1 877 FX FESTO (1 877 393 3786)
Email: technical.support@ca.festo.com

USA Customers

Commercial Support:
Tel: 1 800 99 FESTO (1 800 993 3786)
Fax: 1 800 96 FESTO (1 800 963 3786)
Email: customer.service@us.festo.com

Technical Support:
Tel: 1 866 GO FESTO (1 866 463 3786)
Fax: 1 800 96 FESTO (1 800 963 3786)
Email: product.support@us.festo.com