

## Filter Regulators MS4N-LFR – Inch Series



A filter regulator combines a filter and a pressure regulator into a single unit. The sintered filter with water separator removes contamination, pipe sinter, rust and condensate from the compressed air. The pressure setting can be adjusted with the regulator.

- Pneumatic connection: 1/8 NPT, 1/4 NPT, 3/8 NPT
- Filtration grade: 5 µm, 40 µm
- Supply pressure
  - for manual drain: 12 ... 206 psi
  - for semiautomatic drain: 22 ... 176 psi
  - for fully automatic drain: 29 ... 176 psi
- Controlled pressure range: 4.4 ... 176 psi
- Flow rate: 30.0 ... 67.1 scfm

Product Range Overview																				
Type	Pneumatic connections		Pressure regulation range [psi]			Filtration grade [µm]		Bowl guard		Bowl drain			Pressure indicator				Pressure adjustment		Reverse flow	
	Body thread	Port plate	4.4... 59	4.4 ... 103	7.4 ... 176	5	40	Plastic bowl guard	Metal bowl	Manual	Semiautomatic	Fully automatic	Cover plate (without pressure gauge)	Integrated MS pressure gauge	Adapter for pressure gauge 1/8 NPT	Adapter for pressure gauge 1/4 NPT	Pressure sensor with display	Rotary knob, lockable	Rotary knob, long	Flow direction from right to left
MS4N		AG...	D5	D6	D7	C	E	R	U	M	H	V	VS	AG	A8	A4	AD...	AS	LD	Z
LFR	1/8 NPT, 1/4 NPT, 3/8 NPT	1/8 NPT, 1/4 NPT, 3/8 NPT	■	■	■	■	■	■	■	■	■	■	■	■	■	■	■	■	■	■

### Features

- Good control characteristics with low hysteresis and primary pressure compensation
- High flow rates
- Directly actuated diaphragm regulator
- Three pressure regulation ranges
- Modular, in-line or panel mounting
- Lockable rotary knob
- Available with or without secondary venting
- Two pressure gauge connections for different fitting options
- Reverse flow option for exhausting from output 2 to output 1
- Optional pressure sensor with display and electric output

### Contents

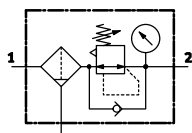
- Technical Data → 122
- Dimensional Drawings → 126
- Ordering Data → 129
- Accessories → 132
- Replacement Parts → 142
- [www.festo.com/catalog/ms4n-lfr](http://www.festo.com/catalog/ms4n-lfr)

# Filter Regulators MS4N-LFR – Inch Series

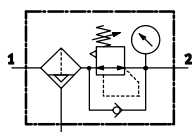
Technical Data

FESTO

ISO Symbol



Manual bowl drain



Semi or fully automatic bowl drain



General Technical Data			
Pneumatic connection 1, 2		1/8 NPT	1/4 NPT
Filtration grade	[ $\mu\text{m}$ ]	5 (air purity class at the output 3.7.- to DIN ISO 8573-1) 40 (air purity class at the output 5.7.- to DIN ISO 8573-1)	
Supply pressure	M [psi]	12 ... 206 (manual drain)	
	H [psi]	22 ... 176 (semiautomatic drain)	
	V [psi]	29 ... 176 (fully automatic drain)	
Pressure regulation range	D5 [psi]	4.4 ... 59	
	D6 [psi]	4.4 ... 103	
	D7 [psi]	7.4 ... 176 (4.4 ... 147 with variant pressure sensor AD...)	
Max. hysteresis	[psi]	3.7	

Standard Nominal Flow Rate $q_{N1}$ [scfm]			
Pneumatic connection 1, 2		1/8 NPT	1/4 NPT
D5 – Pressure regulation range 4.4 ... 59 psi			
Filtration grade	5 $\mu\text{m}$	31.8 <sup>2)</sup>	63.5 <sup>2)</sup>
	40 $\mu\text{m}$	38.8 <sup>2)</sup>	67.1 <sup>2)</sup>
D6 – Pressure regulation range 4.4 ... 103 psi			
Filtration grade	5 $\mu\text{m}$	31.8	53.0
	40 $\mu\text{m}$	35.3	60.0
D7 – Pressure regulation range 7.4 ... 176 psi			
Filtration grade	5 $\mu\text{m}$	30.0	42.4
	40 $\mu\text{m}$	31.8	53.0

1) Measured at  $p_1 = 147$  psi and  $p_2 = 88$  psi,  $\Delta p = 15$  psi

2) Measured at  $p_1 = 147$  psi and  $p_2 = 44$  psi,  $\Delta p = 15$  psi

# Filter Regulators MS4N-LFR – Inch Series

Technical Data



Operating and Environmental Conditions			
Bowl drain	Manual M	Semiautomatic H	Fully automatic V
Operating medium without pressure sensor AD...	Compressed air		
Operating medium with pressure sensor AD...	Filtered compressed air, lubricated or unlubricated, filtration grade 40 µm		
Max. condensate volume [in <sup>3</sup> ]	1.16 (with plastic bowl guard) 1.53 (with metal bowl)		
Bowl guard	Plastic bowl guard		
	Metal bowl		
Ambient temperature without pressure sensor AD... [°F]	14 ... 140	41 ... 140	41 ... 140
Ambient temperature with pressure sensor AD... [°F]	32 ... 122	41 ... 122	41 ... 122
Medium temperature without pressure sensor AD... [°F]	14 ... 140	41 ... 140	41 ... 140
Medium temperature with pressure sensor AD... [°F]	32 ... 122	41 ... 122	41 ... 122
Storage temperature [°F]	14 ... 140	14 ... 140	14 ... 140
Assembly position	Vertical ±5°		
Corrosion resistance CRC <sup>1)</sup>	2		

1) Corrosion resistance class 2 according to Festo standard 940 070  
Components requiring moderate corrosion resistance. Externally visible parts with primarily decorative surface requirements which are in direct contact with a normal industrial environment or media such as coolants or lubricating agents.

Weights [lb]	
With plastic bowl guard	0.55
With metal bowl	0.95

- Wearing parts kits → 142
- Filter cartridges → 142
- For spare parts go to: [www.festo.com/en/spare\\_parts\\_service](http://www.festo.com/en/spare_parts_service)

# Filter Regulators MS4N-LFR – Inch Series

Technical Data



## Standard Flow Rate $q_n$ as a Function of Output Pressure $p_2$

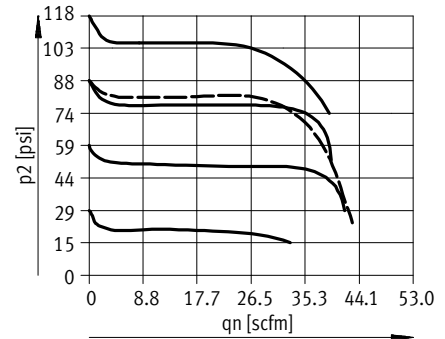
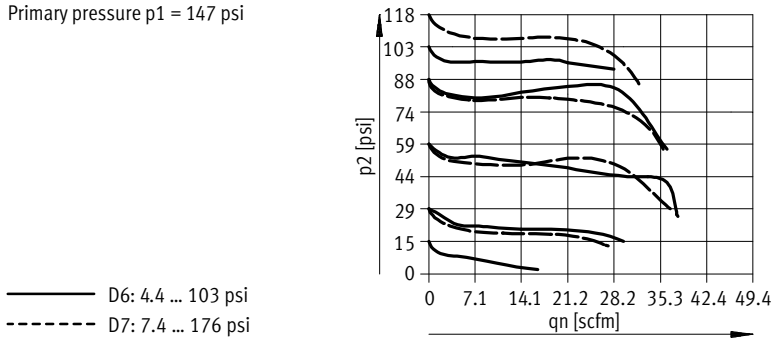
Pressure regulation range D6 or D7

Filtration grade 5  $\mu\text{m}$

Filtration grade 40  $\mu\text{m}$

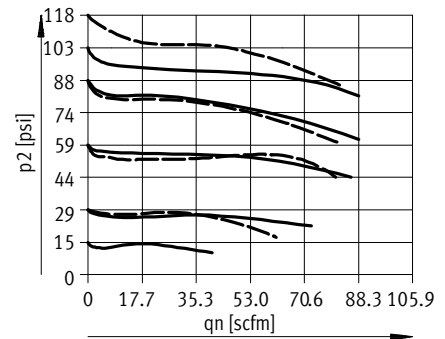
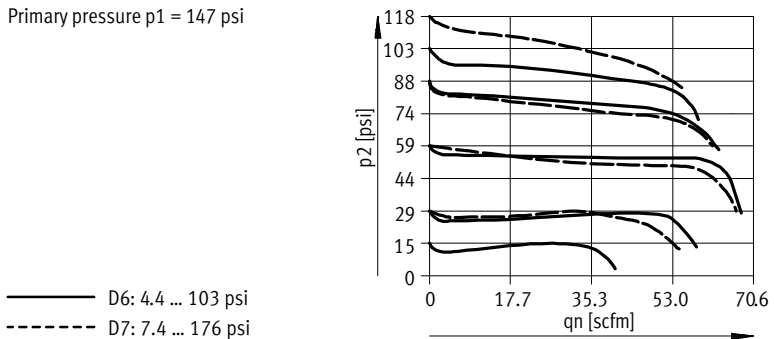
MS4N-LFR-1/8

Primary pressure  $p_1 = 147$  psi



MS4N-LFR-1/4

Primary pressure  $p_1 = 147$  psi

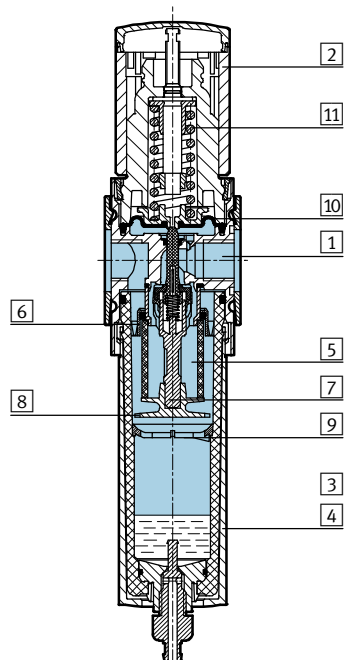


# Filter Regulators MS4N-LFR – Inch Series

Technical Data

## Materials

Sectional view



Filter regulator		
1	Body	Die-cast aluminum
2	Regulating knob	Polyamide/polyacetate
3	Plastic bowl guard	Polycarbonate/polyamide
4	Metal bowl	Aluminum
	Viewing window	Polyamide
5	Filter element	Polyethylene
6	Spin disk	Polyacetate
7	Filter holder	Polyacetate
8	Separating plate	Polyacetate
9	Stabilizing disk	Polyacetate
10	Diaphragm	Nitrile rubber
11	Spring	Steel
-	Seals	Nitrile rubber
	Note on materials	Free of copper and PTFE only with cover plate VS

# Filter Regulators MS4N-LFR – Inch Series

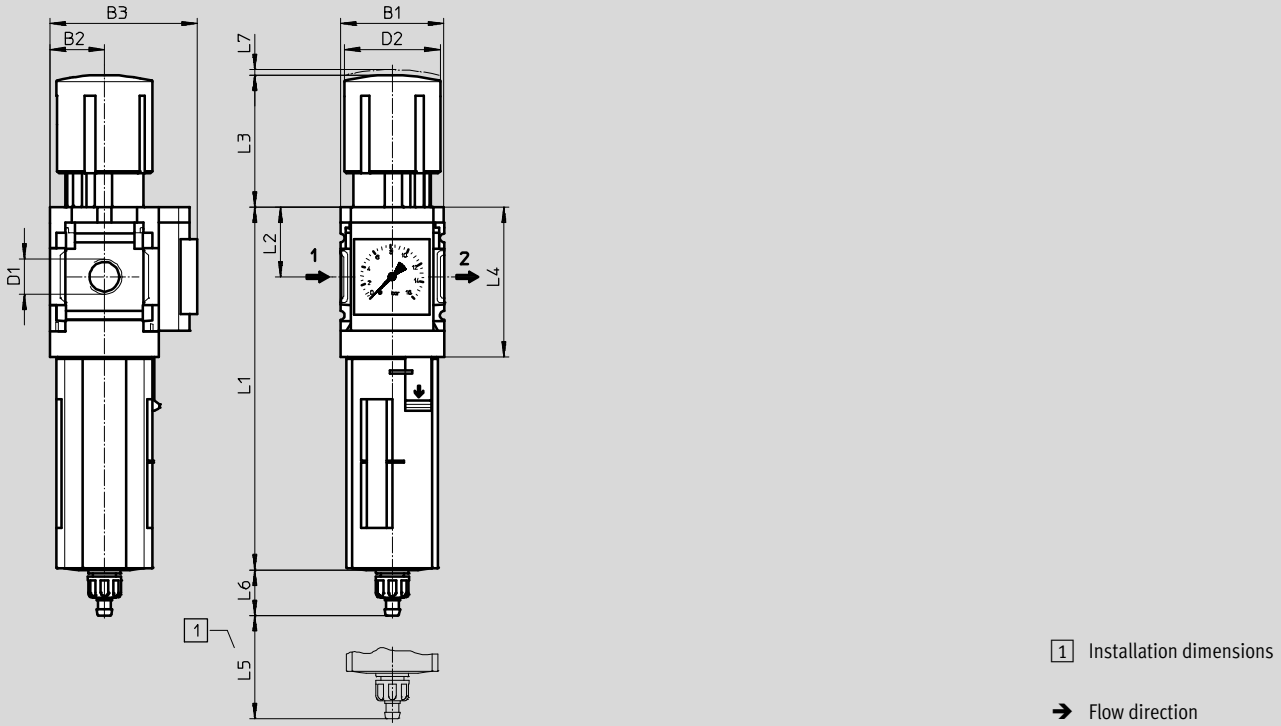
Dimensional Drawings



## Dimensions<sup>1)</sup> – Standard

Download CAD Data → [www.festo.com/us/cad](http://www.festo.com/us/cad)

With pressure gauge, display unit [psi], rotary knob as standard, manual bowl drain



Type	B1	B2	B3	D1	D2	L1		L2	L3	L4	L5	L6		L7
						Bowl guard						Plastic	Metal	
						Plastic	Metal							
MS4N-LFR-1/8	1.57	0.83	2.24	1/8 NPT	1.46	5.54	6.23	1.06	2.01	2.30	0.98	0.70	0.70	0.08
MS4N-LFR-1/4				1/4 NPT										

1) Dimensions are in inches, unless otherwise noted.

# Filter Regulators MS4N-LFR – Inch Series

Dimensional Drawings

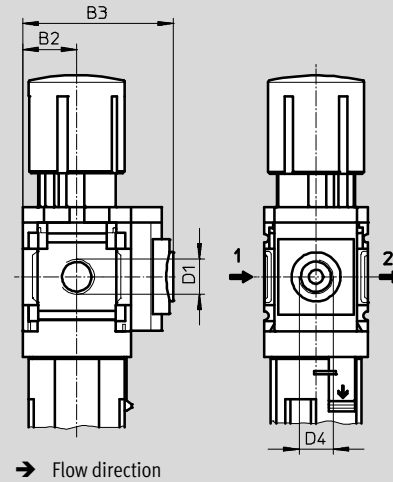
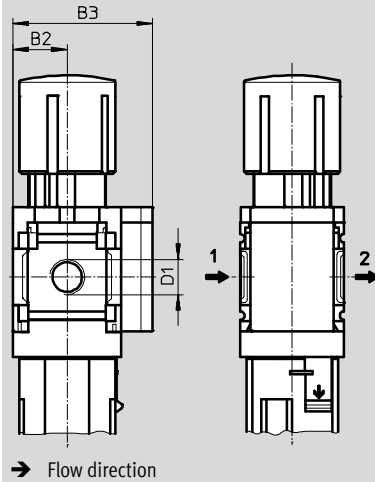


## Dimensions<sup>1)</sup> – Pressure Gauge Alternatives

Download CAD Data → [www.festo.com/us/cad](http://www.festo.com/us/cad)

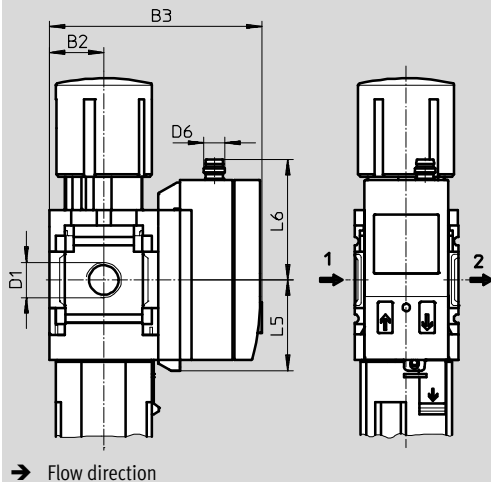
Cover plate VS

Adapter plate A8/A4 for EN pressure gauge 1/8/1/4, without pressure gauge



## Pressure sensor with display AD1 ... AD4

Technical data SDE1 → [www.festo.com/catalog/sde1](http://www.festo.com/catalog/sde1)



AD1 variants:  
SDE1-D10-G2-MS-L-P1-M8 with 3-pin plug M8x1, 1 switching output PNP

AD3 variants:  
SDE1-D10-G2-MS-L-PI-M12 with 4-pin plug M12x1, 1 switching output PNP and 4 ... 20 mA analog

AD2 variants:  
SDE1-D10-G2-MS-L-N1-M8 with 3-pin plug M8x1, 1 switching output NPN

AD4 variants:  
SDE1-D10-G2-MS-L-NI-M12 with 4-pin plug M12x1, 1 switching output NPN and 4 ... 20 mA analog

Type	B2	B3	D1	D4	D6	L5	L6
MS4N-LFR-1/8-...-VS	0.83	2.13	1/8 NPT	-	-	-	-
MS4N-LFR-1/4-...-VS			1/4 NPT				
MS4N-LFR-1/8-...-A8	0.83	2.30	1/8 NPT	G1/8	-	-	-
MS4N-LFR-1/4-...-A8			1/4 NPT				
MS4N-LFR-1/8-...-A4	0.83	2.30	1/8 NPT	G1/4	-	-	-
MS4N-LFR-1/4-...-A4			1/4 NPT				
MS4N-LFR-1/8-...-AD1/AD2	0.83	3.25	1/8 NPT	-	M8x1	1.38	1.84
MS4N-LFR-1/4-...-AD1/AD2			1/4 NPT				
MS4N-LFR-1/8-...-AD3/AD4	0.83	3.25	1/8 NPT	-	M12x1	1.38	2.20
MS4N-LFR-1/4-...-AD3/AD4			1/4 NPT				

1) Dimensions are in inches, unless otherwise noted.

# Filter Regulators MS4N-LFR – Inch Series

Dimensional Drawings



**Dimensions<sup>1)</sup> – Rotary Knob** Download CAD Data → [www.festo.com/us/cad](http://www.festo.com/us/cad)

For installation into control panel

**Standard**

**Standard, lockable AS**

**Long LD**

**Long, lockable LD-AS**

1) Max. control panel thickness

Type	B4	B5	D2	D3 +0.04	L3	L8	L9
MS4N-LFR-...	-	-	1.46	1.18	2.01	0.51	0.24
MS4N-LFR-...-AS	1.90	1.17			2.37		
MS4N-LFR-...-LD	-	-	1.46	-	2.01	-	-
MS4N-LFR-...-LD-AS	1.90	1.17			2.37		

1) Dimensions are in inches, unless otherwise noted.

**Dimensions<sup>1)</sup> – Bowl Drain** Download CAD Data → [www.festo.com/us/cad](http://www.festo.com/us/cad)

**Manual M**

Barbed fitting for plastic tubing  
PCN-4

**Semiautomatic H**

QS fitting for plastic tubing  
PUN-6/PAN-6

**Fully automatic V**

Barbed fitting for plastic tubing  
PCN-4

Type	L6
Plastic bowl guard	
MS4N-LFR-...-M	0.70
Metal bowl	
MS4N-LFR-...-M	0.70

Type	L6
Plastic bowl guard	
MS4N-LFR-...-H	0.87
Metal bowl	
MS4N-LFR-...-H	0.87

Type	L6
Plastic bowl guard	
MS4N-LFR-...-V	0.80
Metal bowl	
MS4N-LFR-...-V	0.80

1) Dimensions are in inches, unless otherwise noted.



## Filter Regulators MS4N-LFR – Inch Series

Ordering Data – Pre-configured Products



Ordering Data							
Pressure regulation range 4.4 ... 103 psi							
Bowl drain	Connection	Filtration grade 5 µm			Filtration grade 40 µm		
		Part No.	Type	LT	Part No.	Type	LT
Plastic bowl guard							
Manual	1/8 NPT	531230	MS4N-LFR-1/8-D6-CRM-AS	1D	531222	MS4N-LFR-1/8-D6-ERM-AS	1D
	1/4 NPT	531229	MS4N-LFR-1/4-D6-CRM-AS	1D	531221	MS4N-LFR-1/4-D6-ERM-AS	1D
Fully automatic	1/8 NPT	531234	MS4N-LFR-1/8-D6-CRV-AS	1D	531226	MS4N-LFR-1/8-D6-ERV-AS	1D
	1/4 NPT	531233	MS4N-LFR-1/4-D6-CRV-AS	1D	531225	MS4N-LFR-1/4-D6-ERV-AS	1D

Ordering Data							
Pressure regulation range 7.4 ... 176 psi							
Bowl drain	Connection	Filtration grade 5 µm			Filtration grade 40 µm		
		Part No.	Type	LT	Part No.	Type	LT
Plastic bowl guard							
Manual	1/8 NPT	531214	MS4N-LFR-1/8-D7-CRM-AS	1D	531206	MS4N-LFR-1/8-D7-ERM-AS	1D
	1/4 NPT	531213	MS4N-LFR-1/4-D7-CRM-AS	1D	531205	MS4N-LFR-1/4-D7-ERM-AS	1D
Fully automatic	1/8 NPT	531218	MS4N-LFR-1/8-D7-CRV-AS	1D	531210	MS4N-LFR-1/8-D7-ERV-AS	1D
	1/4 NPT	531217	MS4N-LFR-1/4-D7-CRV-AS	1D	531209	MS4N-LFR-1/4-D7-ERV-AS	1D
Metal bowl							
Manual	1/8 NPT	535734	MS4N-LFR-1/8-D7-CUM-AS	Q	535740	MS4N-LFR-1/8-D7-EUM-AS	Q
	1/4 NPT	535750	MS4N-LFR-1/4-D7-CUM-AS	Q	535756	MS4N-LFR-1/4-D7-EUM-AS	Q
Fully automatic	1/8 NPT	535736	MS4N-LFR-1/8-D7-CUV-AS	Q	535738	MS4N-LFR-1/8-D7-EUV-AS	Q
	1/4 NPT	535752	MS4N-LFR-1/4-D7-CUV-AS	Q	535754	MS4N-LFR-1/4-D7-EUV-AS	Q

LT = Lead time      1D typically ships same day/next day      3D typically ships within 3 days

# Filter Regulators MS4N-LFR – Inch Series



Ordering Data – Configurable Products

**M** Mandatory Data →

Part No.	Series	Size	Thread	Function	Connection size	Pressure regulation range	Filtration grade	Bowl
527694	MS	4	N	LFR	1/8, 1/4, AQK, AQN, AQP	D5 D6 D7	E C	R U
<b>Order example</b>								
<b>527694</b>	<b>MS</b>	<b>4</b>	<b>N</b>	<b>- LFR</b>	<b>- AQK</b>	<b>- D6</b>	<b>- C</b>	<b>- R</b>

**Ordering Table**

Grid dimension	[mm]	40	Conditions	Code	Enter code
<b>M</b> Part No.	<b>527694</b>				
Series	Standard			<b>MS</b>	MS
Size	4			<b>4</b>	4
Thread	NPT thread			<b>N</b>	N
Function	Filter regulator			<b>-LFR</b>	-LFR
Connection size	Body thread 1/8 NPT			<b>-1/8</b>	
	Body thread 1/4 NPT			<b>-1/4</b>	
	Port plate 1/8 NPT (dimensions → 137)			<b>-AQK</b>	
	Port plate 1/4 NPT (dimensions → 137)			<b>-AQN</b>	
	Port plate 3/8 NPT (dimensions → 137)			<b>-AQP</b>	
Pressure regulation range	4.4 ... 59 psi			<b>-D5</b>	
	4.4 ... 103 psi			<b>-D6</b>	
	7.4 ... 176 psi			<b>-D7</b>	
Filtration grade	40 µm			<b>-E</b>	
	5 µm			<b>-C</b>	
Bowl	Plastic bowl with plastic bowl guard			<b>-R</b>	
	Metal bowl			<b>-U</b>	

Transfer order code

# Filter Regulators MS4N-LFR – Inch Series



Ordering Data – Configurable Products

M		Options					
Bowl drain	Pressure gauge alternatives	Alternative pressure gauge scale	Secondary venting	Rotary knob	Security	Type of mounting	Reverse flow direction
M H V	VS A8 A4 AD1 AD2 AD3 AD4	BAR MPA	OS	LD	AS	WR WP WPM WB WBM	Z
- M	- A8	-	-	- LD	- AS	- WPM	- Z

Ordering Table		Grid dimension [mm]	40	Conditions	Code	Enter code
M	Bowl drain	Manual			-M	
		Semiautomatic (P1 max. 176 psi)			-H	
		Fully automatic (P1 max. 176 psi)			-V	
O	Pressure gauge alternatives	Cover plate			-VS	
		Adapter plate for EN pressure gauge 1/8, without pressure gauge			-A8	
		Adapter plate for EN pressure gauge 1/4, without pressure gauge			-A4	
		Pressure sensor with display, M8 plug, 1 switching output PNP, 3-pin	1		-AD1	
		Pressure sensor with display, M8 plug, 1 switching output NPN, 3-pin	1		-AD2	
		Pressure sensor with display, M12 plug, 1 switching output PNP, 4-pin, analog output 4 ... 20 mA	1		-AD3	
		Pressure sensor with display, M12 plug, 1 switching output NPN, 4-pin, analog output 4 ... 20 mA	1		-AD4	
Alternative pressure gauge scale	bar	2		-BAR		
	MPa	2		-MPA		
Secondary venting	Without secondary venting			-OS		
Rotary knob	Long rotary knob			-LD		
Security	Lockable rotary knob			-AS		
Type of mounting	Mounting bracket with knurled nut for regulator head (dimensions → 135)	3		-WR		
	Mounting bracket (dimensions → 138)	4		-WP		
	Mounting bracket (dimensions → 138)	4		-WPM		
	Mounting bracket (dimensions → 134)			-WB		
	Mounting bracket (dimensions → 134)			-WBM		
Reverse flow direction	Flow direction from right to left			-Z		

1 AD1 ... AD4 Measuring range max. 147 psi

2 BAR, MPA Not with pressure gauge alternatives VS, A8, A4, AD1, AD2, AD3, AD4

3 WR Not with long rotary knob LD

4 WP, WPM Only with port plate AQK, AQN or AQP

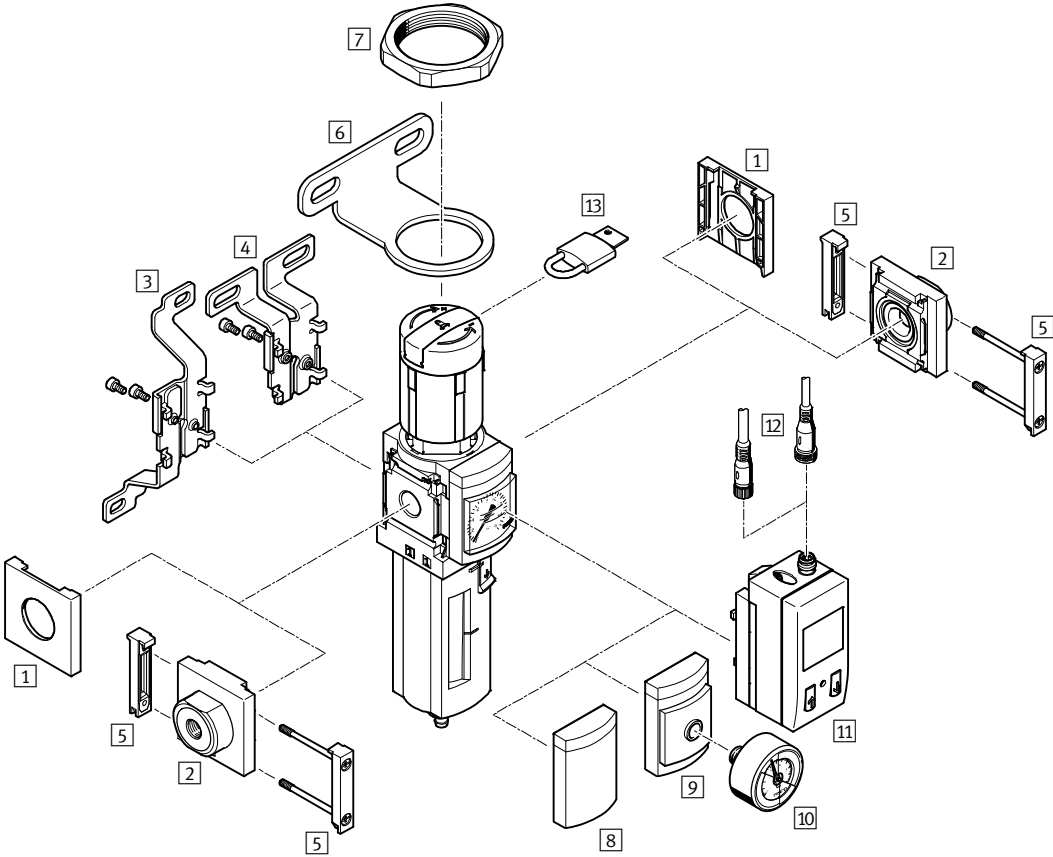
Transfer order code

- [ ] - [ ] - [ ] - [ ] - [ ] - [ ] - [ ] - [ ]

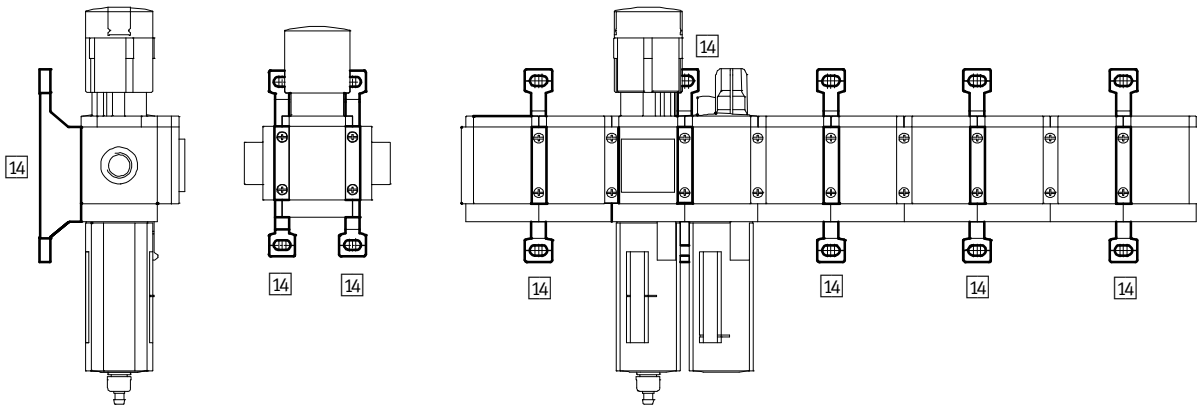
# Filter Regulators MS4N-LFR – Inch Series

Accessories Overview

## Mounting Attachments and Accessories



Single unit and combination unit mounting brackets.



# Filter Regulators MS4N-LFR – Inch Series

Accessories Overview



Mounting Attachments and Accessories						
		Single unit		Combination unit		→ Page
		without port plate	with port plate	without port plate	with port plate	
1	Cover cap MS4-END	■	-	■	-	136
2	Port plate MS4N-AQ...	-	■	-	■	137
3	Mounting bracket MS4-WB	■	■	-	-	134
4	Mounting bracket MS4-WBM	■	■	-	-	134
5	Body connector MS4-MV	-	■	■	■	137
6	Regulator wall bracket MS4-WR	■	■	-	-	135
7	Hex nut MS4-WRS	■	■	■	■	135
8	Cover plate VS	■	■	■	■	130
9	Adapter for EN pressure gauge 1/8/1/4 A8/A4	■	■	■	■	130
10	Pressure gauge MA	■	■	■	■	141
11	Pressure sensor SDE1-...-MS AD1 ... AD4	■	■	■	■	130
12	Plug socket with cable SIM-M8-3.../SIM-M12-4...	■	■	■	■	141
13	Padlock LRVS-D	■	■	■	■	141
14	Mounting bracket MS4-WP/WPB/WPM	-	■	■	■	138

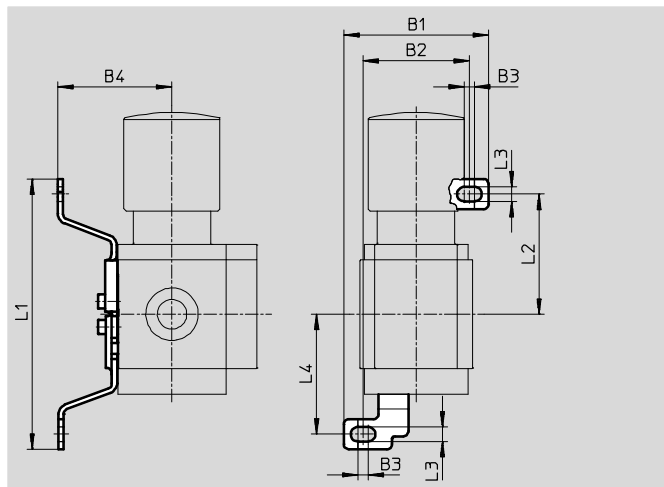
# Filter Regulators MS4N-LFR – Inch Series

Accessories

### 3 Mounting bracket MS4-WB

- For wall mounting

Material:  
Steel

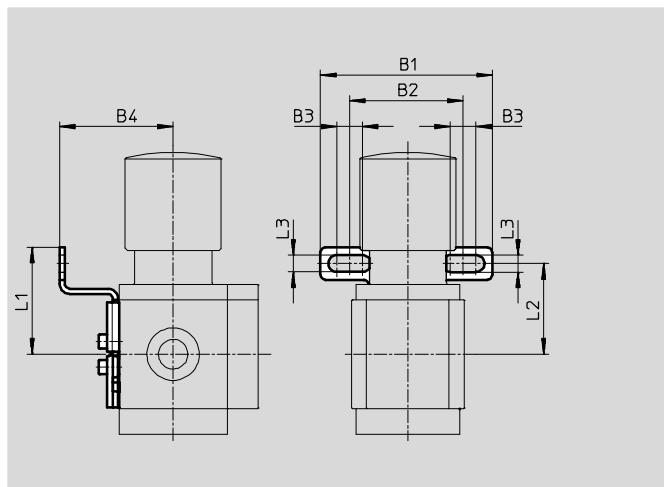


Dimensions and Ordering Data										
B1	B2	B3	B4	L1	L2	L3	L4	Weight [lb]	Part No.	Type
2.21	1.62	0.16	1.74	4.12	1.83	0.22	1.83	0.09	532185	MS4-WB

### 4 Mounting bracket MS4-WBM

- For wall mounting

Material:  
Steel



Dimensions and Ordering Data									
B1	B2	B3	B4	L1	L2	L3	Weight [lb]	Part No.	Type
2.62	1.73	0.39	1.73	1.63	1.38	0.26	0.10	526062	MS4-WBM

# Filter Regulators MS4N-LFR – Inch Series

Accessories

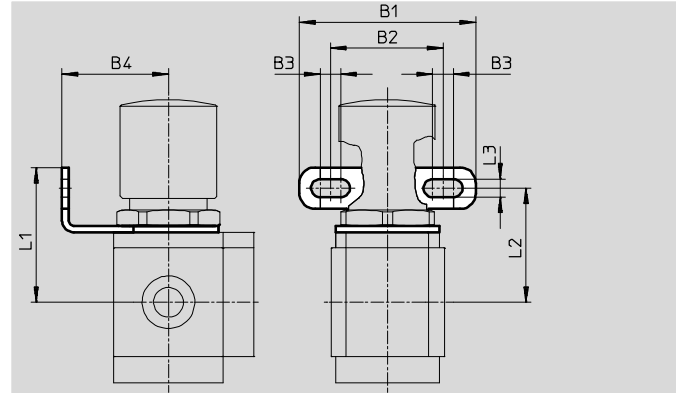
## 6 Mounting bracket MS4-WR

- For wall mounting a filter regulator and pressure regulator

Material:  
Steel

### Note

The hex nut for attaching components to this bracket must be ordered separately.



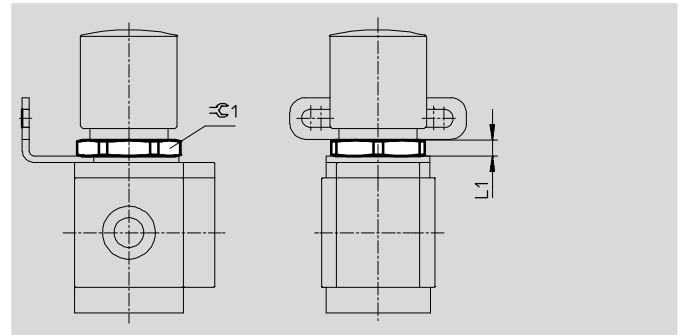
### Dimensions and Ordering Data

B1	B2	B3	B4	L1	L2	L3	Weight [lb]	Part No.	Type
2.68	1.73	0.31	1.61	2.05	1.73	0.28	0.10	526064	MS4-WR

## 7 Hex nut MS4-WRS

- For front panel mounting
- For attaching components to the mounting bracket MS-WR

Material:  
Aluminum



### Dimensions and Ordering Data

L1	±0.1	Weight [lb]	Part No.	Type
0.24	1.42	0.01	532187	MS4-WRS

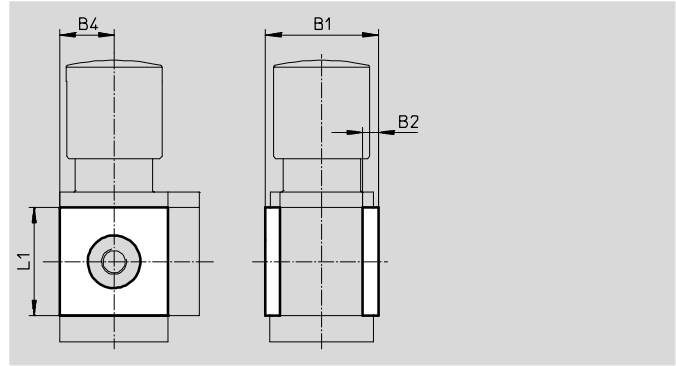
# Filter Regulators MS4N-LFR – Inch Series

Accessories

## 1 Cover cap MS4-END

- Can be used to cover the body sides of the first and last module if port plates are not used.

Material:  
Reinforced polyamide  
Free of copper and PTFE

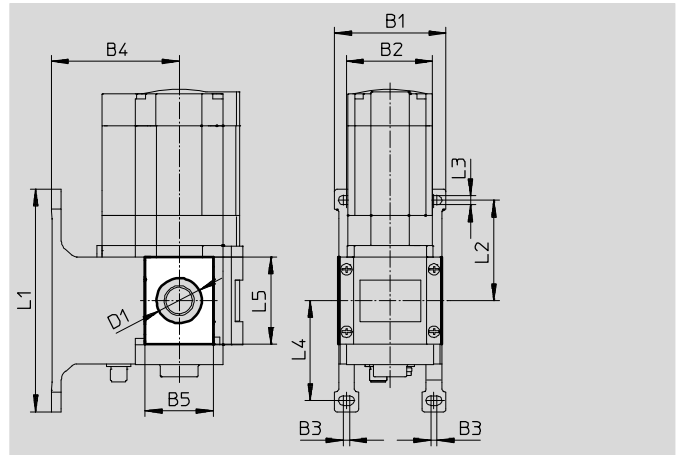


Dimensions and Ordering Data						
B1	B2	B4	L1	Part No.	Type	
1.72	0.24	0.83	1.65	538779	MS4-END	

## Mounting plate MS4-AEND

- In combination with mounting bracket MS-WP or MS-WPB for mounting an individual unit with body thread on a wall

Material:  
Reinforced polyamide  
Conforms to RoHS  
Free of copper and PTFE



Dimensions and Ordering Data															
B1	B2	B3	B4		B5	D1 ∅	L1	L2	L3	L4	L5	CRC <sup>1)</sup>	Weight [lb]	Part No.	Type
			WP	WPB											
2.17	1.58	0.16	1.73	2.60	1.20	0.80	4.17	1.83	0.22	1.84	1.65	2	0.01	542966	MS4-AEND

1) Corrosion resistance class 2 according to Festo standard 940 070  
Components requiring moderate corrosion resistance. Externally visible parts with primarily decorative surface requirements which are in direct contact with a normal industrial environment or media such as coolants or lubricating agents.



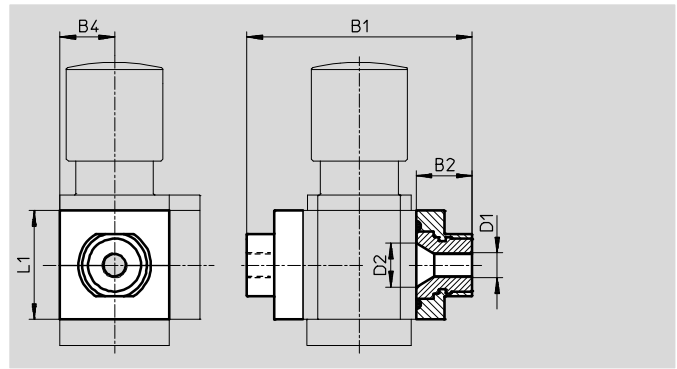
## Filter Regulators MS4N-LFR – Inch Series

Accessories

### 2 Port plate MS4N-AQ...

- Adapter for pneumatic connection

Material:  
Aluminum



Dimensions and Ordering Data								
B1	B2	B4	D1	D2	L1	Weight [lb]	Part No.	Type
3.29	0.85	0.83	1/8 NPT	0.66	1.65	0.26	526065	MS4N-AQK
			1/4 NPT				526066	MS4N-AQN
			3/8 NPT				526067	MS4N-AQP

### 5 Body connector MS4-MV

- For connecting modules

Material:  
Stainless steel/polyacetate



Ordering Data		
Weight [lb]	Part No.	Type
0.07	532798	MS4-MV

# Filter Regulators MS4N-LFR – Inch Series

Accessories



## 14 Mounting Bracket MS4-WP...

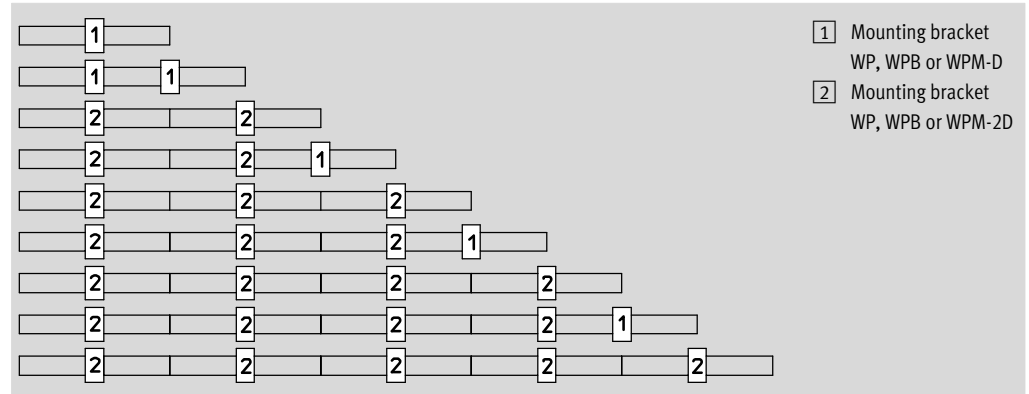
Suggested placement of wall mounting brackets when mounting air preparation combinations

1 unit: 1.575 in

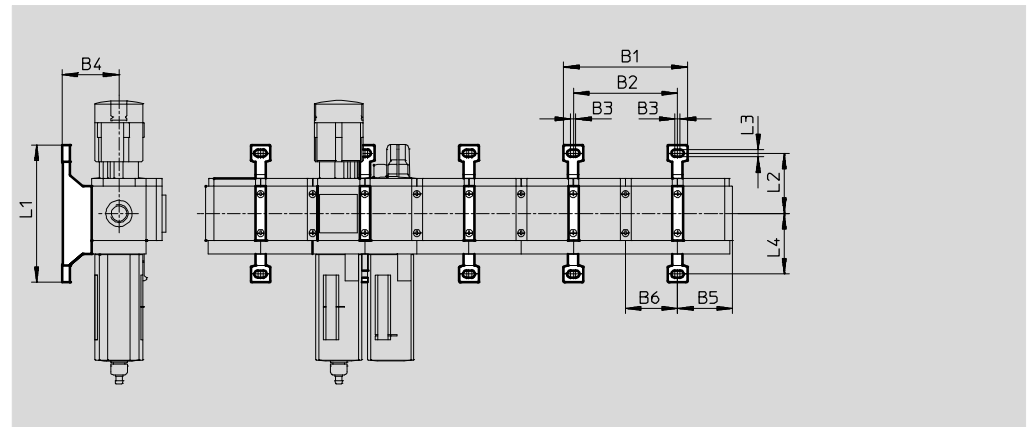
2 units: 3.15 in

Number of units

1 2 3 4 5 6 7 8 9 10



## Mounting dimensions



Type	B1	B2	B3	B4	B5	B6	L1	L2	L3	L4
MS4-WP	3.75	3.15	0.16	1.73	1.65	1.57	4.17	1.83	0.22	1.84
MS4-WPB				2.60						
MS4-WPM-...D				1.73						

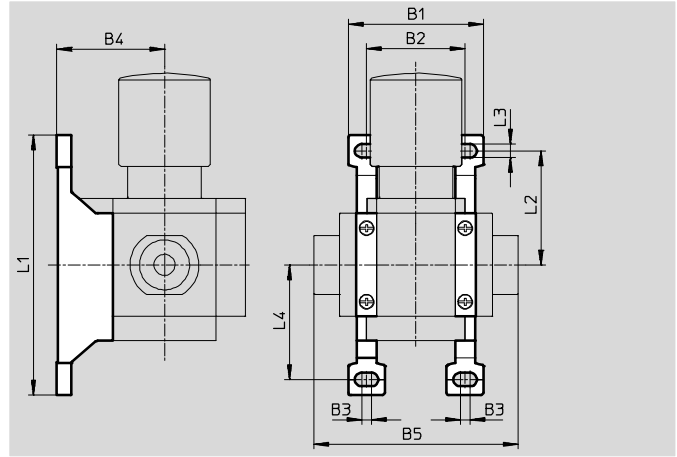
# Filter Regulators MS4N-LFR – Inch Series

Accessories

## Mounting bracket MS4-WP

- To connect the modules for wall mounting
- In combination with a port plate MS-AG... for mounting an individual unit on a wall
- In combination with mounting plate MS-AEND or for mounting an individual unit with body thread on a wall
- For pressure regulator LRB with angled outlet block B... at rear

Material:  
Die-cast aluminum

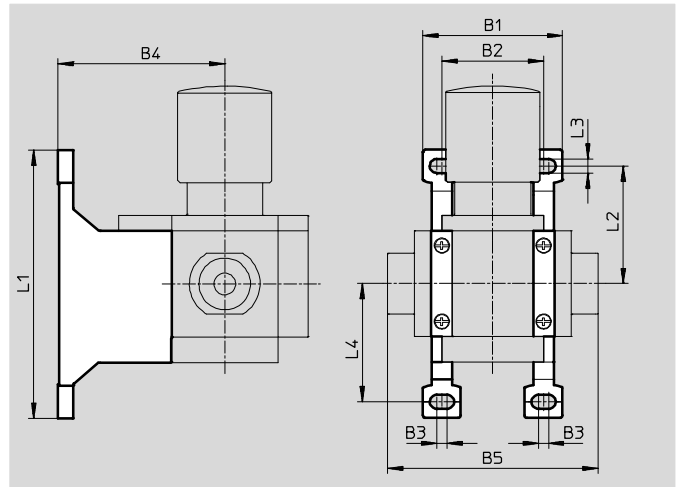


Dimensions and Ordering Data											
B1	B2	B3	B4	B5	L1	L2	L3	L4	Weight [lb]	Part No.	Type
2.17	1.58	0.16	1.73	3.28	4.17	1.83	0.22	1.84	0.08	532184	MS4-WP

## Mounting bracket MS4-WPB

- To connect the modules for wall mounting
- In combination with a port plate MS-AG... for mounting an individual unit on a wall
- In combination with mounting plate MS-AEND or for mounting an individual unit with direct thread on a wall
- Provides large wall gap for pressure regulator

Material:  
Die-cast aluminum



Dimensions and Ordering Data											
B1	B2	B3	B4	B5	L1	L2	L3	L4	Weight [lb]	Part No.	Type
2.17	1.58	0.16	2.60	3.28	4.17	1.83	0.22	1.84	0.11	526063	MS4-WPB

# Filter Regulators MS4N-LFR – Inch Series

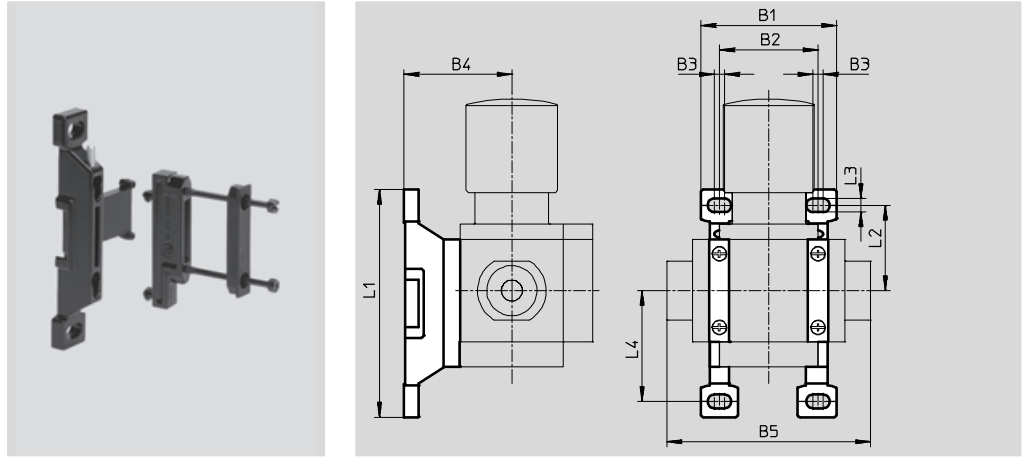
Accessories

## Mounting bracket MS4-WPM

- To connect the modules for wall mounting
- In combination with a port plate MS-AG... for mounting an individual unit on a wall
- Speedy attachment and detachment
- For installation of modules with regulating knob pointing downwards

The distance piece D or 2D (designated in the type code) is included in the scope of delivery and ensures the correct clearance

Material:  
Die-cast aluminum



Dimensions and Ordering Data												
B1	B2	B3	B4	B5	L1	L2	L3	L4	Clearance	Weight [lb]	Part No.	Type
2.17	1.57	0.16	1.73	3.28	3.65	1.37	0.22	1.78	1.57	0.09	526060	MS4-WPM-D
3.75	3.15			4.86					3.15	0.11	526061	MS4-WPM-2D

## Body connector MS4-MVM

- For installation of modules with regulating knob pointing downwards

Material:  
Die-cast aluminum



Ordering Data		
Size	Part No.	Type
MS4	532800	MS4-MVM

# Filter Regulators MS4N-LFR – Inch Series

Accessories



11 Ordering Data – Plug Socket with Cable SIM-M8			Technical data → <a href="http://www.festo.com/catalog/sim-m8">www.festo.com/catalog/sim-m8</a>	
	Electrical connection	Cable length [ft]	Part No.	Type
	M8x1, 3-pin	8.2	159420	SIM-M8-3GD-2,5-PU
		16.4	159421	SIM-M8-3GD-5-PU
		32.8	192964	SIM-M8-3GD-10-PU
	M8x1, 3-pin	8.2	159422	SIM-M8-3WD-2,5-PU
		16.4	159423	SIM-M8-3WD-5-PU
		32.8	192965	SIM-M8-3WD-10-PU

11 Ordering Data – Plug Socket with Cable SIM-M12			Technical data → <a href="http://www.festo.com/catalog/sim-m12">www.festo.com/catalog/sim-m12</a>	
	Electrical connection	Cable length [ft]	Part No.	Type
	M12x1, 4-pin	16.4	164259	SIM-M12-4GD-5-PU
	M12x1, 4-pin	16.4	164258	SIM-M12-4WD-5-PU

10 Ordering Data – Pressure Gauge MA				Technical data → <a href="http://www.festo.com/catalog/ma">www.festo.com/catalog/ma</a>		
	Nominal size	Pneumatic connection	Indicating range		Part No.	Type
			[bar]	[psi]		
	Pressure gauge MA, DIN EN 837-1					
	1.57	1/4 NPT	0 ... 16	0 ... 232	183908	MA-40-16-N1/4-EN
	Pressure gauge MA, DIN EN 837-1, with red-green range					
	1.57	1/8 NPT	–	0 ... 232	530388	MA-40-232-N1/8-PSI-E-RG
	1.97	1/4 NPT	–	0 ... 232	530391	MA-50-232-N1/4-PSI-E-RG

13 Ordering Data – Padlock LRVS-D			
	Description	Weight [lb]	Part No. Type
	for regulators, filter/regulators and manual on-off valves	0.24	193786 LRVS-D

## Filter Regulators MS4N-LFR – Inch Series

FESTO

Replacement Parts

Ordering Data – Wearing Parts Kits			
Size	Description	Part No.	Type
MS4	Snap-ring, membrane, bellows, O-rings, screws, stem	673647	MS4-LFR



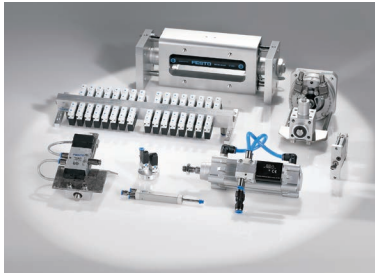
Ordering Data – Filter Cartridges			
Size	Filtration grade [µm]	Part No.	Type
MS4	5	534501	MS4-LFP-C
	40	534502	MS4-LFP-E

- For spare parts go to: [www.festo.com/en/spare\\_parts\\_service](http://www.festo.com/en/spare_parts_service)

# Product Range and Company Overview

## A Complete Suite and Company Overview

Our experienced engineers provide complete support at every stage of your development process, including: conceptualization, analysis, engineering, design, assembly, documentation, validation, and production.



**Custom Automation Components**  
Complete custom engineered solutions



**Custom Control Cabinets**  
Comprehensive engineering support and on-site services



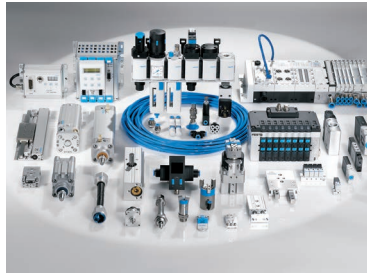
**Complete Systems**  
Shipment, stocking and storage services

## The Broadest Range of Automation Components

With a comprehensive line of more than 30,000 automation components, Festo is capable of solving the most complex automation requirements.



**Electromechanical**  
Electromechanical actuators, motors, controllers & drivers



**Pneumatics**  
Pneumatic linear and rotary actuators, valves, and air supply



**PLCs and I/O Devices**  
PLC's, operator interfaces, sensors and I/O devices

## Supporting Advanced Automation... As No One Else Can!

Festo is a leading global manufacturer of pneumatic and electromechanical systems, components and controls for industrial automation, with more than 16,000 employees in 60 national headquarters serving more than 180 countries. For more than 80 years, Festo has continuously elevated the state of manufacturing with innovations and optimized motion control solutions that deliver higher performing, more profitable automated manufacturing and processing equipment. Our dedication to the advancement of automation extends beyond technology to the education and development of current and future automation and robotics designers with simulation tools, teaching programs, and on-site services.

## Quality Assurance, ISO 9001 and ISO 14001 Certifications

Festo Corporation is committed to supply all Festo products and services that will meet or exceed our customers' requirements in product quality, delivery, customer service and satisfaction.

To meet this commitment, we strive to ensure a consistent, integrated, and systematic approach to management that will meet or exceed the requirements of the ISO 9001 standard for Quality Management and the ISO 14001 standard for Environmental Management.

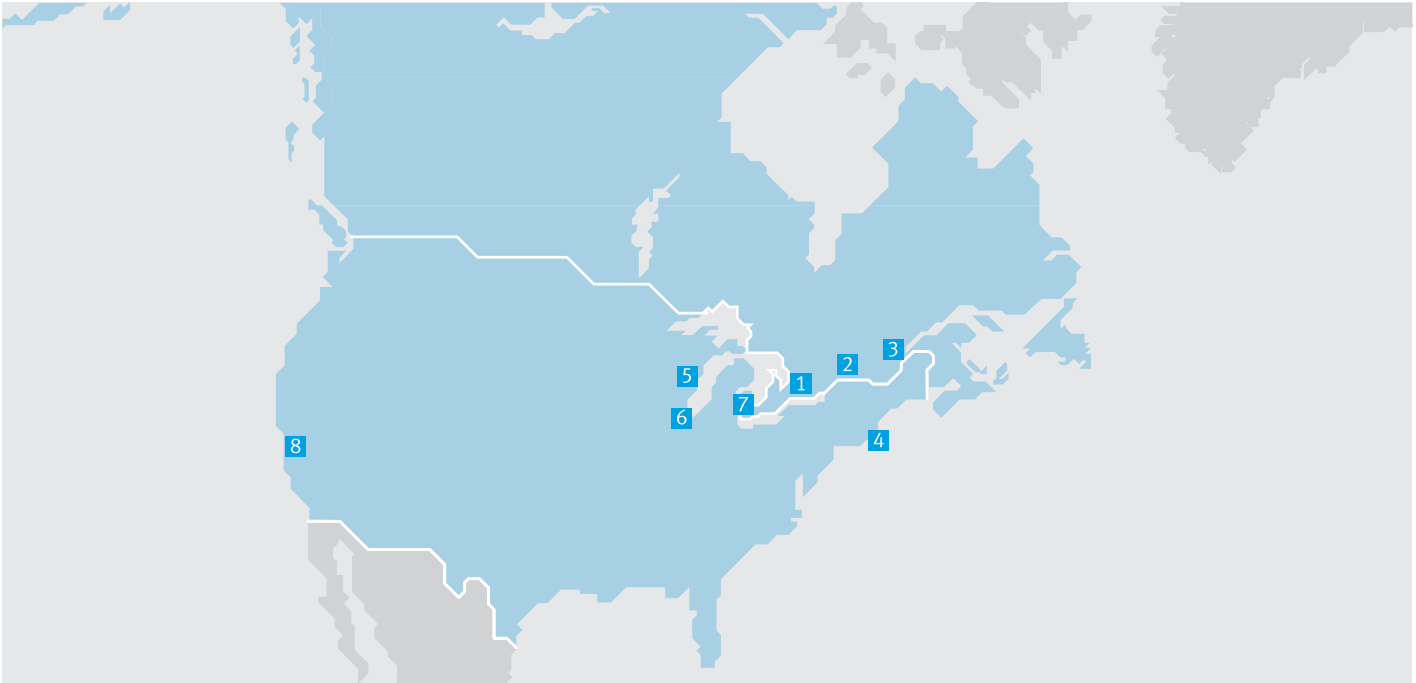


© Copyright 2013, Festo Corporation. While every effort is made to ensure that all dimensions and specifications are correct, Festo cannot guarantee that publications are completely free of any error, in particular typing or printing errors. Accordingly, Festo cannot be held responsible for the same. For Liability and Warranty conditions, refer to our "Terms and Conditions of Sale", available from your local Festo office. All rights reserved. No part of this publication may be reproduced, distributed, or transmitted in any form or by any means, electronic, mechanical, photocopying or otherwise, without the prior written permission of Festo. All technical data subject to change according to technical update.



Printed on recycled paper at New Horizon Graphic, Inc., FSC certified as an environmental friendly printing plant.

# Festo North America



**1 Festo Canada Headquarters**  
**Festo Inc.**  
5300 Explorer Drive  
Mississauga, ON  
L4W 5G4

**2 Montréal**  
5600, Trans-Canada  
Pointe-Claire, QC  
H9R 1B6

**3 Québec City**  
2930, rue Watt#117  
Québec, QC  
G1X 4G3



**4 Festo United States Headquarters**  
**Festo Corporation**  
395 Moreland Road  
Hauppauge, NY  
11788

**5 Appleton**  
North 922 Tower View Drive, Suite N  
Greenville, WI  
54942

**7 Detroit**  
1441 West Long Lake Road  
Troy, MI  
48098

**6 Chicago**  
85 W Algonquin - Suite 340  
Arlington Heights, IL  
60005

**8 Silicon Valley**  
4935 Southfront Road, Suite F  
Livermore, CA  
94550

## Festo Regional Contact Center

### Canadian Customers

Commercial Support:  
Tel: 1 877 GO FESTO (1 877 463 3786)  
Fax: 1 877 FX FESTO (1 877 393 3786)  
Email: festo.canada@ca.festo.com

Technical Support:  
Tel: 1 866 GO FESTO (1 866 463 3786)  
Fax: 1 877 FX FESTO (1 877 393 3786)  
Email: technical.support@ca.festo.com

### USA Customers

Commercial Support:  
Tel: 1 800 99 FESTO (1 800 993 3786)  
Fax: 1 800 96 FESTO (1 800 963 3786)  
Email: customer.service@us.festo.com

Technical Support:  
Tel: 1 866 GO FESTO (1 866 463 3786)  
Fax: 1 800 96 FESTO (1 800 963 3786)  
Email: product.support@us.festo.com