

Pressure Regulators MS12N-LR – Inch Series



The pressure regulator maintains a constant working pressure (secondary side), regardless of the pressure variations in the system (primary side) and the air consumption.

- Pneumatic connection: 1 NPT, 1¼ NPT, 1½ NPT, 2 NPT
- Supply pressure: 12 ... 309 psi
- Flow rate: 458.9 ... 776.6 scfm

Product Range Overview															
Type	Pneumatic connections		Pressure regulation range [psi]				Pressure indicator					Pressure adjustment		Reverse flow	
							Cover plate (without pressure gauge)	Integrated MS pressure gauge	Adapter for pressure gauge 1/8 NPT	Adapter for pressure gauge 1/4 NPT	Pressure sensor with display	Rotary knob, lockable	Rotary knob, long		
	Body thread	Port plate	4.4 ... 59	4.4 ... 103	7.4 ... 176	7.4 ... 235	VS	AG	A8	A4	AD...	AS	LD	Z	
MS12N		AG...	D5	D6	D7	D8	■	■	■	■	■	■	■	■	
LR	-	1 NPT, 1¼ NPT, 1½ NPT, 2 NPT	-	■	■	■	■	-	-	■	-	■	■	■	

Features

- Good control characteristics with low hysteresis and primary pressure compensation
- High flow rate with minimal pressure drop
- Three pressure regulation ranges
- Pressure gauge connection for different fitting options
- Setting values are secured by locking the rotary knob
- With secondary venting
- Rotary knob can be locked using accessories

Contents

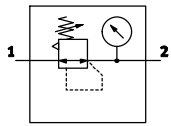
- Technical Data → 1092
- Dimensional Drawings → 1094
- Ordering Data → 1095
- Accessories → 1098
- Replacement Parts → 1102

→ www.festo.com/catalog/ms12n-lr

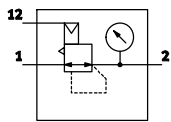
Pressure Regulators MS12N-LR – Inch Series

Technical Data

ISO Symbol



With pressure gauge



With pressure gauge and air pilot control (variant PO)



Standard

Variant PO

General Technical Data				
Pneumatic connection 1, 2 ¹⁾	1 NPT	1¼ NPT	1½ NPT	2 NPT
Pilot air connection 12 for variant PO	¼ NPT			
Supply pressure	[psi]	12 ... 309		
Pressure regulation range	D6	[psi]	4.4 ... 103	
	D7	[psi]	7.4 ... 176	
	D8	[psi]	7.4 ... 235	
Max. hysteresis	[psi]	5.9		

1) Dependent on port plate selected, must be ordered separately as an accessory → 1099

Standard Nominal Flow Rate q_{nN^2} [scfm]				
Pneumatic connection 1, 2	1 NPT	1¼ NPT	1½ NPT	2 NPT
In main flow direction 1 → 2	458.9	476.6	564.8	776.6

2) Dependent on port plate selected, must be ordered separately as an accessory → 1099
Measured at $p_1 = 147$ psi and $p_2 = 88$ psi, $\Delta p = 7.4$ psi

Operating and Environmental Conditions	
Operating medium	Compressed air, air quality class 5.7.– to DIN ISO 8573-1
Ambient temperature	[°F] 14 ... 140
Temperature of medium	[°F] 14 ... 140
Storage temperature	[°F] 14 ... 140
Assembly position	Any
Corrosion resistance	CRC ³⁾ 2

3) Corrosion resistance class 2 according to Festo standard 940 070
Components requiring moderate corrosion resistance. Externally visible parts with primarily decorative surface requirements which are in direct contact with a normal industrial environment or media such as coolants or lubricating agents.

Weights [lb]	
Product weight	8.00

- Wearing parts kits → 1102
- For spare parts go to: www.festo.com/en/spare_parts_service

Pressure Regulators MS12N-LR – Inch Series

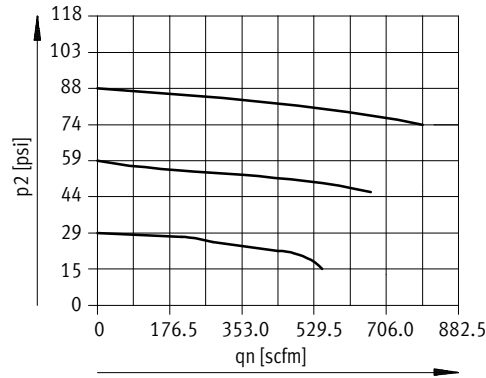
Technical Data

FESTO

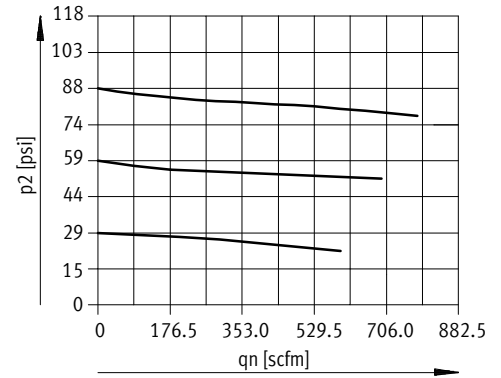
Standard Flow Rate q_n as a Function of Output Pressure p_2

Primary pressure $p_1 = 147$ psi

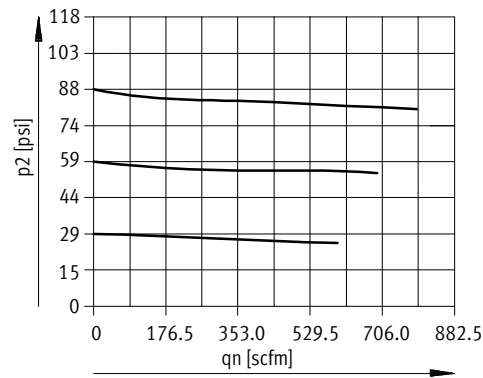
With port plate MS12-AGF
Pneumatic connection 1NPT



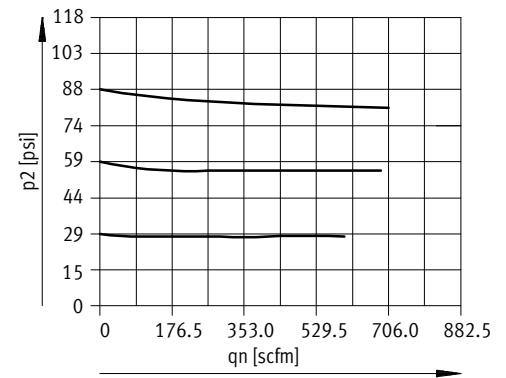
With port plate MS12-AGG
Pneumatic connection 1¼NPT



With port plate MS12-AGH
Pneumatic connection 1½NPT

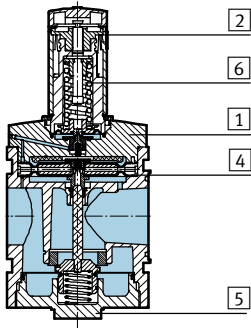


With port plate MS12-AGI
Pneumatic connection 2NPT



Materials

Sectional view



Pressure regulator		
1	Body	Die-cast aluminum
2	Regulating knob	Polyamide/polyacetate
4	Diaphragm	Nitrile rubber
5	Bottom cap	Wrought aluminum alloy
6	Springs	Steel
-	Seals	Nitrile rubber
Note on materials		Free of copper and PTFE only with cover plate VS

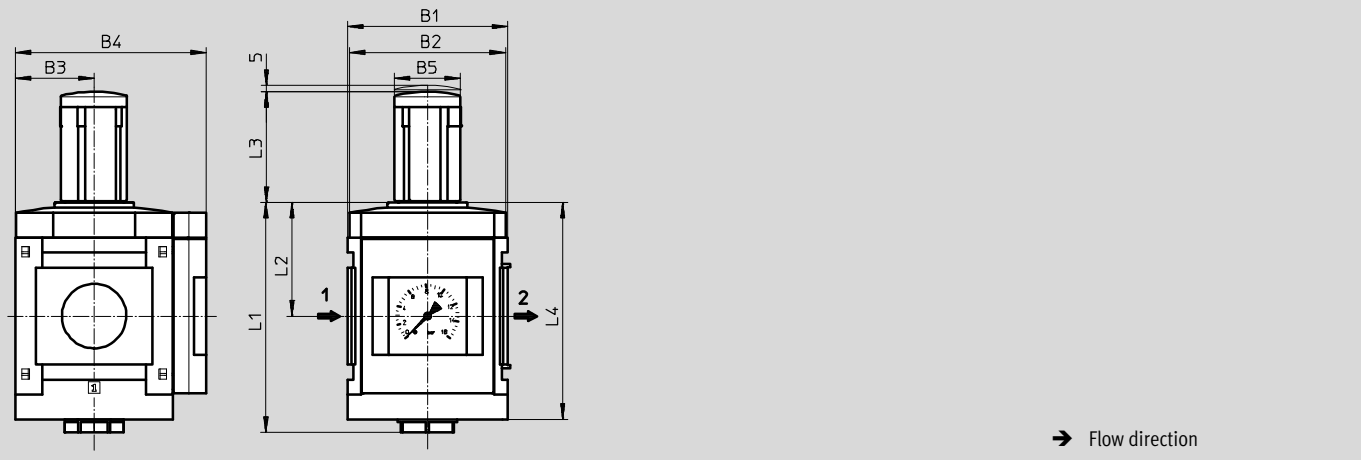
Pressure Regulators MS12N-LR – Inch Series

Dimensional Drawings

Dimensions¹⁾ – Standard

Download CAD Data → www.festo.com/us/cad

With pressure gauge, display unit [psi], long rotary knob



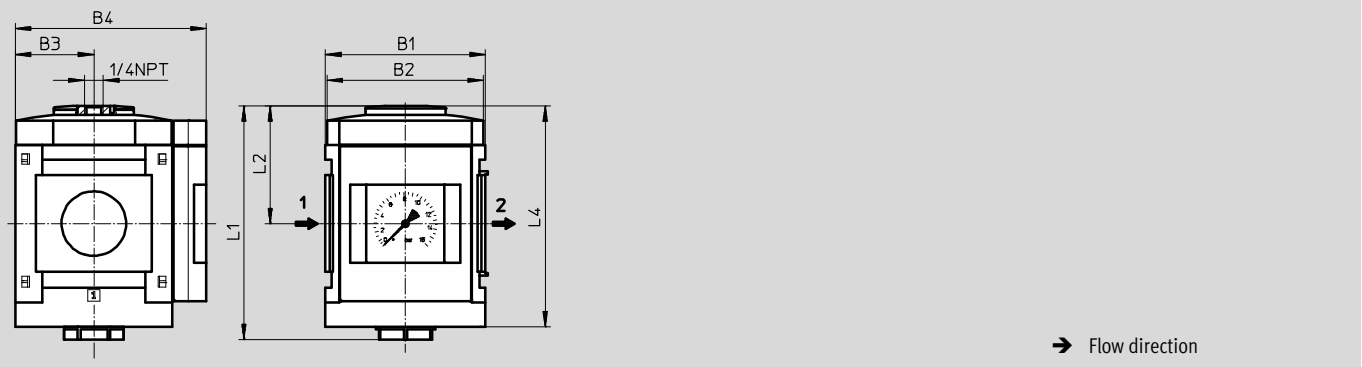
B1	B2	B3	B4	B5	L1	L2	L3	L4
4.88	4.80	2.40	5.83	2.01	7.01	3.46	3.39	6.61

1) Dimensions are in inches, unless otherwise noted.

Dimensions¹⁾ – Alternative Operating Principle

Download CAD Data → www.festo.com/us/cad

Pneumatically actuated PO, with pressure gauge, display unit [psi]



Type	B1	B2	B3	B4	L1	L2	L4
MS12-LR-...-PO	4.88	4.80	2.40	5.83	7.13	3.58	6.73

1) Dimensions are in inches, unless otherwise noted.

Pressure Regulators MS12N-LR – Inch Series

Dimensional Drawings, Ordering Data – Pre-configured Products



Dimensions¹⁾ – Pressure Gauge Alternatives Download CAD Data → www.festo.com/us/cad

Cover plate VS Adapter A4 for EN pressure gauge 1/4, without pressure gauge

Type	B3	B4	D4
MS12-LR-...-VS	2.40	5.83	–
MS12-LR-...-A4	2.40	5.83	G ¹ / ₄

1) Dimensions are in inches, unless otherwise noted.

Dimensions¹⁾ – Rotary Knob

Long, lockable LD-AS

Type	B5	B6	L3
MS12-LR-...-LD-AS	2.54	1.54	3.76

1) Dimensions are in inches, unless otherwise noted.

Ordering Data							
Pressure gauge							
Connection		Long rotary knob, can be locked using accessories, pressure regulation range 7.4 ... 176 psi			Alternative operating principle, pressure regulation range 7.4 ... 235 psi		
		Part No.	Type	LT	Part No.	Type	
1NPT ... 2NPT ²⁾		537148	MS12-LR-G-D7-LD-AS	1D	541680	MS12-LR-G-D8-PO	Q

LT = Lead time 1D typically ships same day/next day 3D typically ships within 3 days

2) Port plate must be ordered separately as an accessory → 1099

Pressure Regulators MS12N-LR – Inch Series



Ordering Data – Configurable Products

M Mandatory Data →

Part No.	Series	Size	Thread	Function	Connection size	Pressure regulation range
535024	MS	12	N	LR	AQT AQU AQV AQW G	D6 D7 D8
Order example						
535024	MS	12	N	LR	G	D8

Ordering Table		Grid dimension [mm]	124	Conditions	Code	Enter code
M	Part No.	535024				
	Series	Standard			MS	MS
	Size	12			12	12
	Thread	NPT thread			N	N
	Function	Pressure regulator			-LR	-LR
	Connection size	Port plate 1 NPT (dimensions → 1099)			-AQT	
		Port plate 1¼ NPT (dimensions → 1099)			-AQU	
		Port plate 1½ NPT (dimensions → 1099)			-AQV	
		Port plate 2 NPT (dimensions → 1099)			-AQW	
		Module without connecting thread, without port plate			-G	
	Pressure regulation range	4.4 ... 103 psi			-D6	
		7.4 ... 176 psi			-D7	
		7.4 ... 235 psi			-D8	

Transfer order code

Pressure Regulators MS12N-LR – Inch Series

Ordering Data – Configurable Products



Options

Pressure gauge alternatives	Alternative pressure gauge scale	Rotary knob	Security	Alternative operating principle	Type of mounting	Reverse flow direction
VS A4	BAR MPa	LD	AS	PO	WP	Z
- VS	-	- LD	- AS	-	-	- Z

Ordering Table

Grid dimension	[mm]	124	Conditions	Code	Enter code
0 Pressure gauge alternatives	Cover plate			-VS	
	Adapter plate for EN pressure gauge 1/4, without pressure gauge			-A4	
Alternative pressure gauge scale	bar		1	-BAR	
	MPa		1	-MPA	
Rotary knob	Long rotary knob		2	-LD	
Security	Lockable rotary knob			-AS	
Alternative operating principle	Pneumatically actuated		3	-PO	
Type of mounting	Mounting bracket (dimensions → 1100)		4	-WP	
Reverse flow direction	Flow direction from right to left			-Z	

1 **BAR, MPA** Not with pressure gauge alternatives VS, A4

2 **LD** Must be selected if alternative operating principle PO has not been selected

3 **PO** Not with rotary knob LD.

Not with security AS

4 **WP** Only with port plate AQT, AQU, AQV or AQW

Transfer order code

- [] - [] - [] - [] - [] - [] - []

Pressure Regulators MS12N-LR – Inch Series

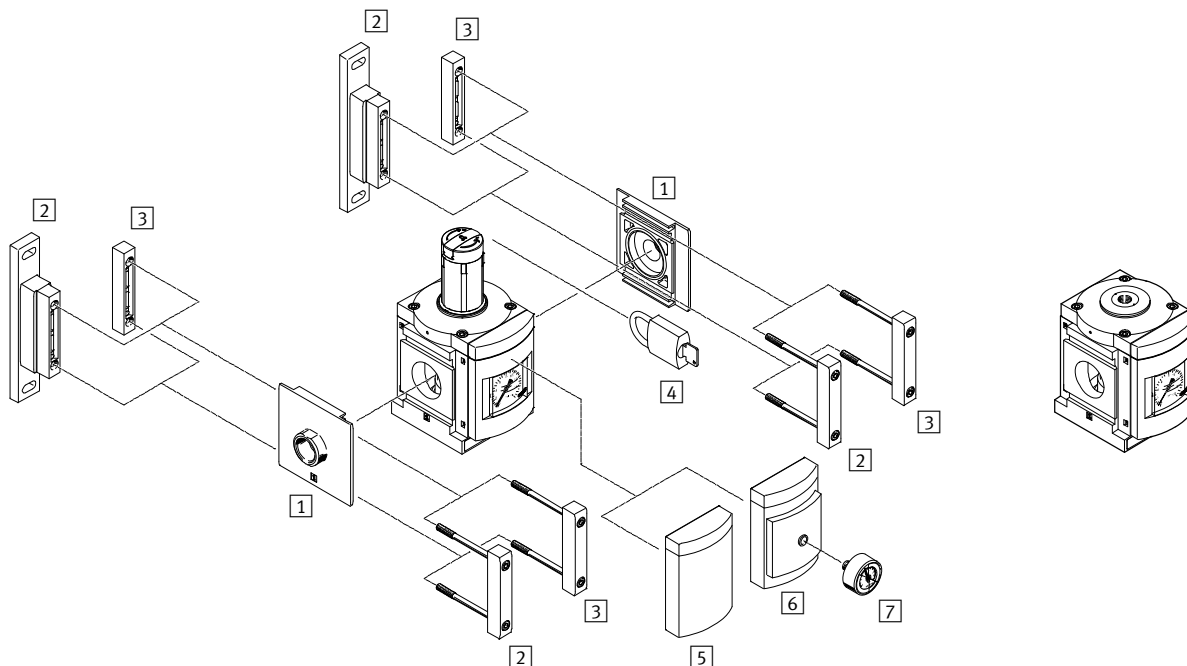
Accessories Overview

FESTO

Mounting Attachments and Accessories

Standard

Variant PO
pneumatically actuated



Mounting Attachments and Accessories

		→ Page
1	Port plate MS12-AQ...	1099
2	Mounting bracket MS12-WP	1100
3	Body connector MS12-MV	1099
4	Padlock (except variant PO) LRVS-D	1101
5	Cover plate VS	1097
6	Adapter for EN pressure gauge 1/4 A4	1097
7	Pressure gauge MA	1101

Pressure Regulators MS12N-LR – Inch Series

Accessories

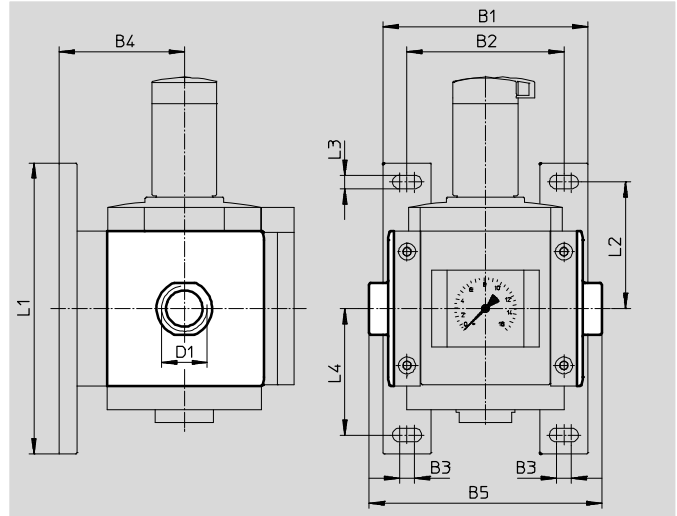
1 Port plate MS12-AQ...

- Adapter for pneumatic connection

Material:

Die-cast aluminum

Free of copper and PTFE



Dimensions and Ordering Data												
B1	B2	B3	B4	B5	D1	L1	L2	L3	L4	Weight [lb]	Part No.	Type
6.38	4.88	0.47	3.90	7.24	1 NPT	9.06	3.94	0.43	3.94	2.60	537139	MS12-AQT
				7.24	1¼ NPT						537140	MS12-AQU
				7.24	1½ NPT						537141	MS12-AQV
				7.72	2 NPT						537142	MS12-AQW

3 Body connector MS12-MV

- For connecting modules

Material:

Die-cast aluminum,

Free of copper and PTFE



Ordering Data			
Size	Weight [lb]	Part No.	Type
MS12	1.00	537134	MS12-MV

Pressure Regulators MS12N-LR – Inch Series

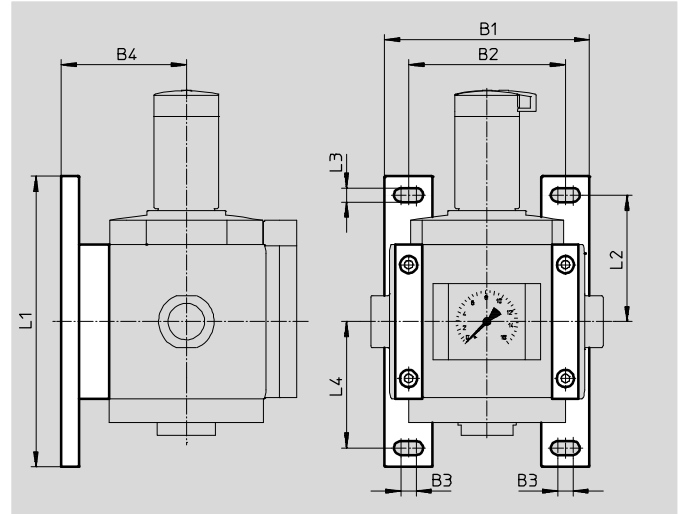


Accessories

3 Mounting bracket MS12-WP

- To connect the modules for wall mounting
- In combination with a port plate for mounting an individual unit on a wall

Material:
Die-cast aluminum
Free of copper and PTFE




Dimensions and Ordering Data

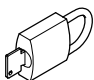
Size	B1	B2	B3	B4	L1	L2	L3	L4	Weight [[b]	Part No.	Type
MS12	6.38	4.88	0.47	3.90	9.06	3.94	0.43	3.94	1.40	537133	MS12-WP

Pressure Regulators MS12N-LR – Inch Series

Accessories



7 Ordering Data – Pressure Gauge MA					Technical data → www.festo.com/catalog/ma	
	Nominal size	Pneumatic connection	Indicating range		Part No.	Type
			[bar]	[psi]		
	Pressure gauge MA, DIN EN 837-1					
	1.57	R $\frac{1}{4}$	0 ... 16	0 ... 232	187080	MA-40-16-R$\frac{1}{4}$-EN
	Pressure gauge MA, DIN EN 837-1, with red-green range					
	1.97	R $\frac{1}{4}$	–	0 ... 232	526790	MA-50-232-R$\frac{1}{4}$-PSI-E-RG

4 Ordering Data – Padlock LRVS-D			
	Description	Weight [lb]	Part No. Type
	for regulators, filter/regulators and manual on-off valves	0.24	193786 LRVS-D

Pressure Regulators MS12N-LR – Inch Series



Replacement Parts

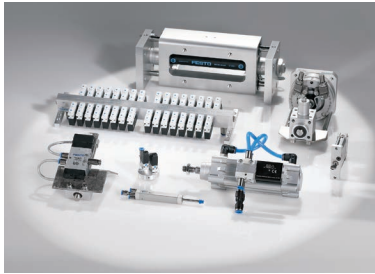
Ordering Data – Wearing Parts Kits			
Size	Description	Part No.	Type
MS12	Snap-ring, membrane, bellows, O-rings, screws, stem	673586	MS12-LR/LFR

- For spare parts go to: www.festo.com/en/spare_parts_service

Product Range and Company Overview

A Complete Suite and Company Overview

Our experienced engineers provide complete support at every stage of your development process, including: conceptualization, analysis, engineering, design, assembly, documentation, validation, and production.



Custom Automation Components
Complete custom engineered solutions



Custom Control Cabinets
Comprehensive engineering support and on-site services



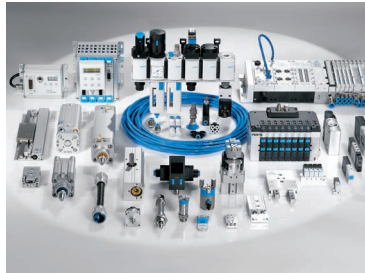
Complete Systems
Shipment, stocking and storage services

The Broadest Range of Automation Components

With a comprehensive line of more than 30,000 automation components, Festo is capable of solving the most complex automation requirements.



Electromechanical
Electromechanical actuators, motors, controllers & drivers



Pneumatics
Pneumatic linear and rotary actuators, valves, and air supply



PLCs and I/O Devices
PLC's, operator interfaces, sensors and I/O devices

Supporting Advanced Automation... As No One Else Can!

Festo is a leading global manufacturer of pneumatic and electromechanical systems, components and controls for industrial automation, with more than 16,000 employees in 60 national headquarters serving more than 180 countries. For more than 80 years, Festo has continuously elevated the state of manufacturing with innovations and optimized motion control solutions that deliver higher performing, more profitable automated manufacturing and processing equipment. Our dedication to the advancement of automation extends beyond technology to the education and development of current and future automation and robotics designers with simulation tools, teaching programs, and on-site services.

Quality Assurance, ISO 9001 and ISO 14001 Certifications

Festo Corporation is committed to supply all Festo products and services that will meet or exceed our customers' requirements in product quality, delivery, customer service and satisfaction.

To meet this commitment, we strive to ensure a consistent, integrated, and systematic approach to management that will meet or exceed the requirements of the ISO 9001 standard for Quality Management and the ISO 14001 standard for Environmental Management.

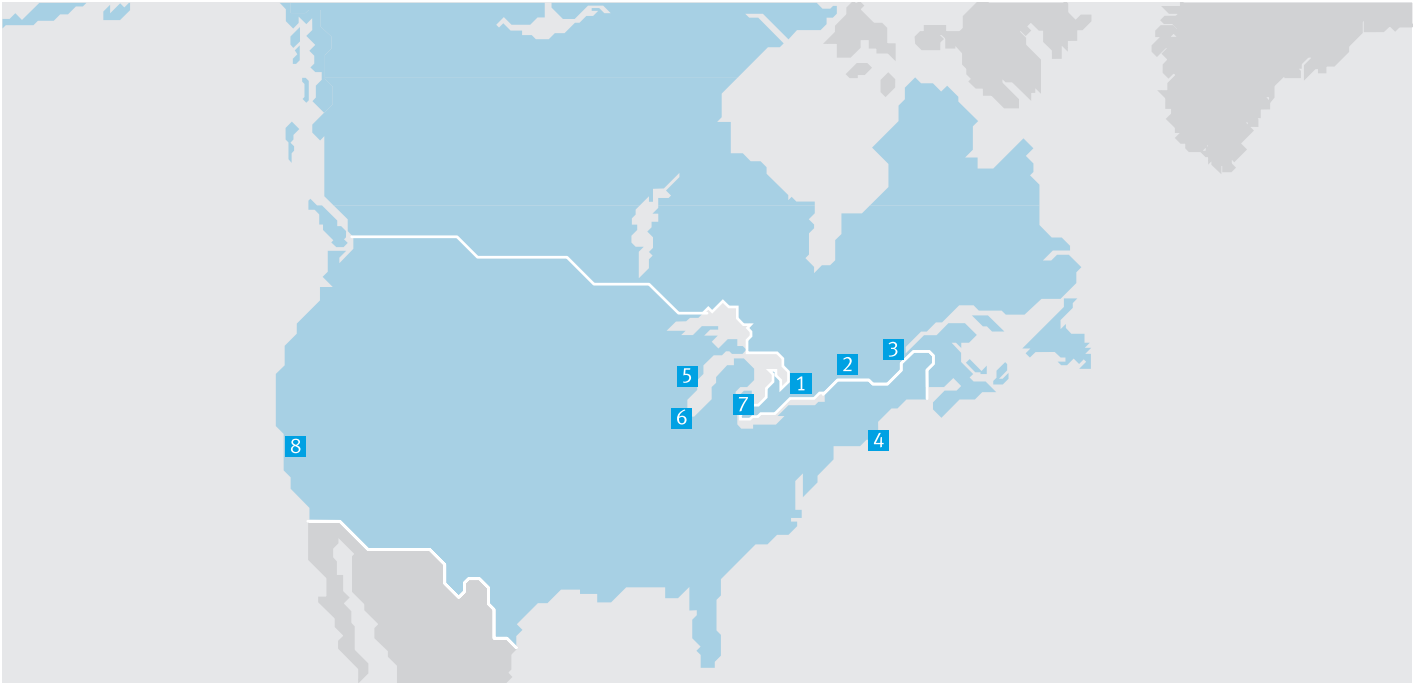


© Copyright 2013, Festo Corporation. While every effort is made to ensure that all dimensions and specifications are correct, Festo cannot guarantee that publications are completely free of any error, in particular typing or printing errors. Accordingly, Festo cannot be held responsible for the same. For Liability and Warranty conditions, refer to our "Terms and Conditions of Sale", available from your local Festo office. All rights reserved. No part of this publication may be reproduced, distributed, or transmitted in any form or by any means, electronic, mechanical, photocopying or otherwise, without the prior written permission of Festo. All technical data subject to change according to technical update.



Printed on recycled paper at New Horizon Graphic, Inc., FSC certified as an environmental friendly printing plant.

Festo North America



1 Festo Canada Headquarters
Festo Inc.
5300 Explorer Drive
Mississauga, ON
L4W 5G4

2 Montréal
5600, Trans-Canada
Pointe-Claire, QC
H9R 1B6

3 Québec City
2930, rue Watt#117
Québec, QC
G1X 4G3



4 Festo United States Headquarters
Festo Corporation
395 Moreland Road
Hauppauge, NY
11788

5 Appleton
North 922 Tower View Drive, Suite N
Greenville, WI
54942

7 Detroit
1441 West Long Lake Road
Troy, MI
48098

6 Chicago
85 W Algonquin - Suite 340
Arlington Heights, IL
60005

8 Silicon Valley
4935 Southfront Road, Suite F
Livermore, CA
94550

Festo Regional Contact Center

Canadian Customers

Commercial Support:
Tel: 1 877 GO FESTO (1 877 463 3786)
Fax: 1 877 FX FESTO (1 877 393 3786)
Email: festo.canada@ca.festo.com

Technical Support:
Tel: 1 866 GO FESTO (1 866 463 3786)
Fax: 1 877 FX FESTO (1 877 393 3786)
Email: technical.support@ca.festo.com

USA Customers

Commercial Support:
Tel: 1 800 99 FESTO (1 800 993 3786)
Fax: 1 800 96 FESTO (1 800 963 3786)
Email: customer.service@us.festo.com

Technical Support:
Tel: 1 866 GO FESTO (1 866 463 3786)
Fax: 1 800 96 FESTO (1 800 963 3786)
Email: product.support@us.festo.com