

Filter Regulators MS12N-LFR – Inch Series



A filter regulator combines a filter and a pressure regulator into a single unit. The sintered filter with water separator removes contamination, pipe sinter, rust and condensate from the compressed air. The pressure setting can be adjusted with the regulator.

- Pneumatic connection: 1 NPT, 1¼ NPT, 1½ NPT, 2 NPT
- Filtration grade: 5 µm, 40 µm
- Supply pressure
 - for manual drain: 12 ... 294 psi
 - for fully automatic drain: 29 ... 176 psi
 - for fully automatic drain, electrically actuated: 12 ... 235 psi
- Controlled pressure range: 4.4 ... 235 psi
- Flow rate: 388.3 ... 600.1 scfm

Product Range Overview																			
Type	Pneumatic connections		Pressure regulation range [psi]			Filtration grade [µm]		Bowl guard	Bowl drain						Pressure indicator		Pressure adjustment		Reverse flow
	Body thread	Port plate	D6	D7	D8	C	E		U	M	V	E1	E2	E3	E4	VS	A4	AS	
MS12N		AG...																	
LFR	-	1 NPT, 1¼ NPT, 1½ NPT, 2 NPT	■	■	■	■	■	■	■	■	■	■	■	■	■	■	■	■	■

- Features**
- Good control characteristics with low hysteresis and primary pressure compensation
 - High flow rates
 - Pilot actuated diaphragm regulator without intrinsic air consumption
 - Three pressure regulation ranges
 - Pressure gauge connection for different fitting options
 - Setting values are secured by locking the rotary knob
 - Rotary knob can be locked using accessories

Contents

Technical Data	➔ 1066
Dimensional Drawings	➔ 1069
Ordering Data	➔ 1071
Accessories	➔ 1074
Replacement Parts	➔ 1077

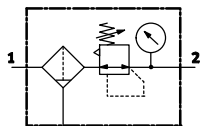
➔ www.festo.com/catalog/ms12n-lfr

Filter Regulators MS12N-LFR – Inch Series

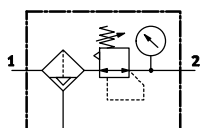
Technical Data

FESTO

ISO Symbol



Manual bowl drain



Fully automatic bowl drain



General Technical Data		1 NPT	1¼ NPT	1½ NPT	2 NPT
Pneumatic connection 1, 2 ¹⁾		1 NPT	1¼ NPT	1½ NPT	2 NPT
Filtration grade	[µm]	5 (air purity class at the output 3.7.– to DIN ISO 8573-1) 40 (air purity class at the output 5.7.– to DIN ISO 8573-1)			
Supply pressure	M [psi]	12 ... 294 (manual drain)			
	V [psi]	29 ... 176 (fully automatic drain)			
	E... [psi]	12 ... 235 (fully automatic drain, electrically actuated)			
Pressure regulation range	D6 [psi]	4.4 ... 103			
	D7 [psi]	7.4 ... 176			
	D8 [psi]	7.4 ... 235			
Max. hysteresis	[psi]	5.9			

1) Dependent on port plate selected, must be ordered separately as an accessory → 1075

Standard Nominal Flow Rate q _N ¹⁾ [scfm]		1 NPT	1¼ NPT	1½ NPT	2 NPT
Filtration grade	5 µm	388.3	406.0	423.6	494.2
	40 µm	423.6	441.3	458.9	600.1

1) Dependent on port plate selected, must be ordered separately as an accessory → 1075
measured at p₁ = 147 psi and p₂ = 88 psi, Δp = 7.4 psi

Filter Regulators MS12N-LFR – Inch Series

Technical Data



Operating and Environmental Conditions			
Bowl drain	Manual M	Fully automatic V	Fully automatic, electrically actuated E...
Operating medium	Compressed air, air quality class 5.7.– to DIN ISO 8573-1		
Max. condensate volume [in ³]	24.40		
Bowl guard	Metal bowl		
Ambient temperature [°F]	14 ... 140	41 ... 140	34 ... 140
Temperature of medium [°F]	14 ... 140	41 ... 140	34 ... 140
Storage temperature [°F]	14 ... 140	14 ... 140	34 ... 140
Assembly position	Vertical ±5°		
Corrosion resistance CRC ¹⁾	2		

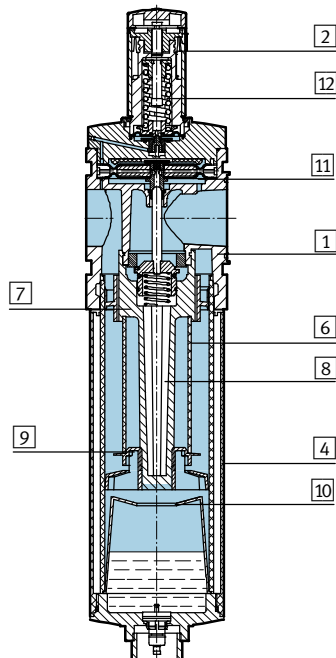
1) Corrosion resistance class 2 according to Festo standard 940 070
Components requiring moderate corrosion resistance. Externally visible parts with primarily decorative surface requirements which are in direct contact with a normal industrial environment or media such as coolants or lubricating agents.

Weights [lb]	
With metal bowl	14.00
With metal bowl and fully automatic, electrically actuated bowl drain	15.40

- Wearing parts kits → 1077
- Filter cartridges → 1077
- For spare parts go to: www.festo.com/en/spare_parts_service

Materials

Sectional view



Filter regulator		
1	Body	Die-cast aluminum
2	Regulating knob	Polyamide
4	Metal bowl	Wrought aluminum alloy
6	Filter element	Sintered bronze
7	Spin disk	Polyacetate
8	Filter holder	Polyacetate
9	Separating plate	Polyacetate
10	Stabilizing disk	Polyacetate
11	Diaphragm	Nitrile rubber
12	Spring	Steel
-	Seals	Nitrile rubber

Filter Regulators MS12N-LFR – Inch Series

Technical Data

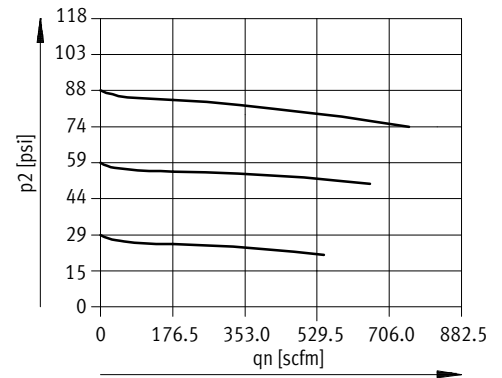
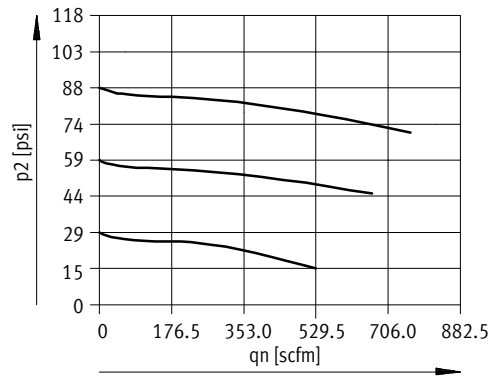
Standard Flow Rate q_n as a Function of Output Pressure p_2

Filtration grade $40\ \mu\text{m}$

With port plate MS12-AGF
Pneumatic connection 1 NPT

With port plate MS12-AGG
Pneumatic connection $1\frac{1}{4}$ NPT

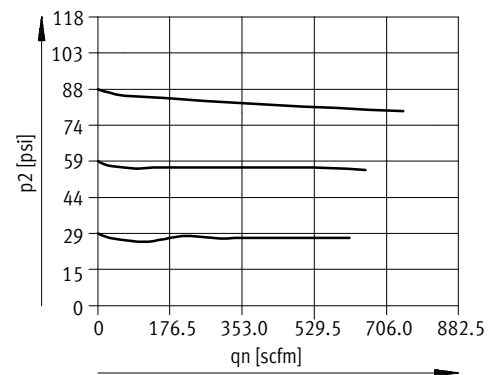
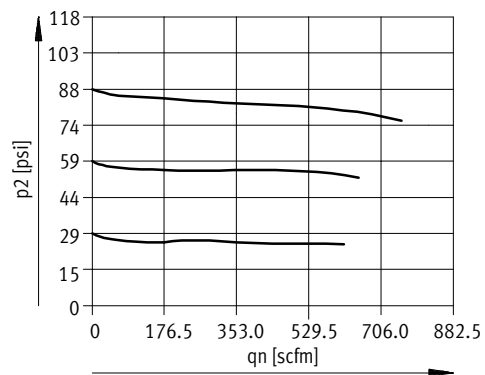
Primary pressure $p_1 = 147\ \text{psi}$



With port plate MS12-AGH
Pneumatic connection $1\frac{1}{2}$ NPT

With port plate MS12-AGI
Pneumatic connection 2 NPT

Primary pressure $p_1 = 147\ \text{psi}$

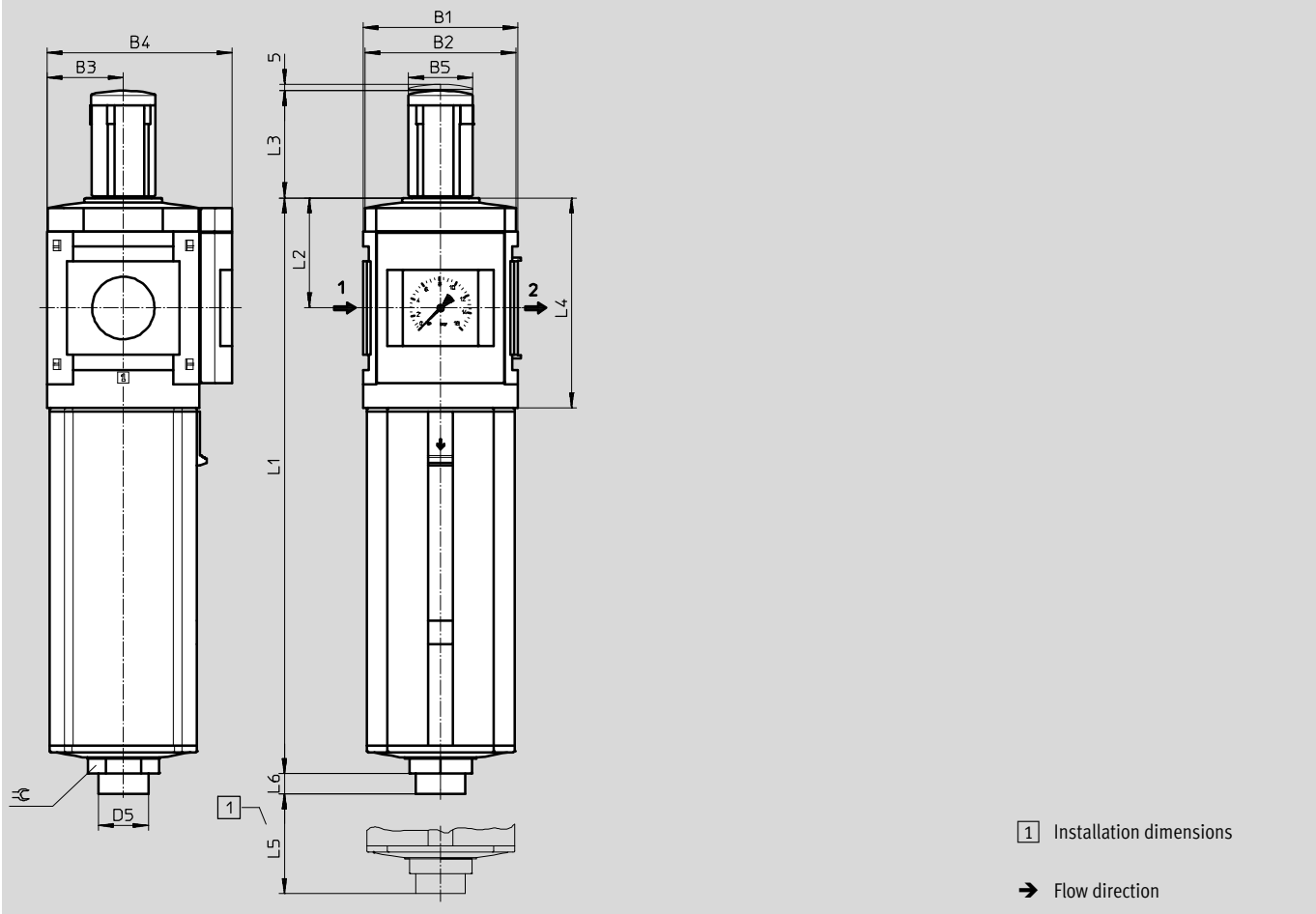


Filter Regulators MS12N-LFR – Inch Series

Dimensional Drawings

Dimensions¹⁾ – Standard Download CAD Data → www.festo.com/us/cad

With pressure gauge, display unit [psi], long rotary knob



B1	B2	B3	B4	B5	D5 Ø	L1	L2	L3	L4	L5	L6	≈
4.88	4.80	2.40	5.83	2.01	1.57	18.11	3.46	3.39	6.61	9.84	0.63	1.97

1) Dimensions are in inches, unless otherwise noted.

Filter Regulators MS12N-LFR – Inch Series

Dimensional Drawings

Dimensions¹⁾ – Pressure Gauge Alternatives Download CAD Data → www.festo.com/us/cad

Cover plate VS Adapter A4 for EN pressure gauge 1/4, without pressure gauge

→ Flow direction

Type	B3	B4	D4
MS12-LFR-...-VS	2.40	5.83	–
MS12-LFR-...-A4	2.40	5.83	G1/4

1) Dimensions are in inches, unless otherwise noted.

Dimensions¹⁾ – Rotary Knob

Long, lockable LD-AS

Type	B5	B6	L3
MS12-LFR-...-LD-AS	2.54	1.54	3.76

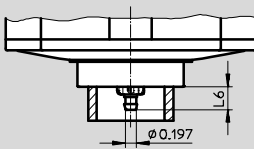
1) Dimensions are in inches, unless otherwise noted.

Filter Regulators MS12N-LFR – Inch Series

Dimensional Drawings, Ordering Data – Pre-configured Products

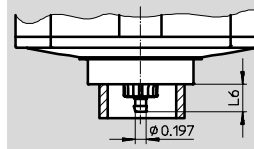
Dimensions¹⁾ – Bowl Drain Download CAD Data → www.festo.com/us/cad

Manual M



Barbed fitting for plastic tubing
PCN-4

Fully automatic V

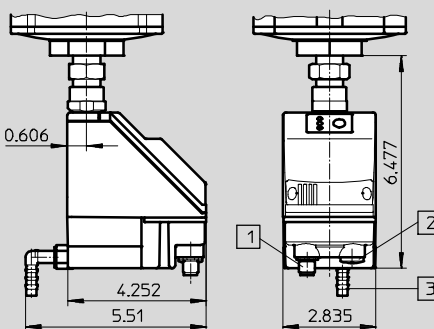


Barbed fitting for plastic tubing
PCN-4

Type	L6
MS12-LFR-...-M	0.43

Type	L6
MS12-LFR-...-V	0.51

Fully automatic, electrically actuated E1 ... E4 Technical data PWEA → www.festo.com/catalog/pwea



- 1 Variant E1
PWEA-AP-... with M12x1 plug,
5-pin for SIM-M12-5GD-...
- 2 Variant E2/E3/E4
PWEA-AC-... with cable conduit
fitting Pg9
- 3 Connection 360° rotatable for
plastic tubing PUN-H-12x2-...

1) Dimensions are in inches, unless otherwise noted.

Ordering Data							
Pressure regulation range 7.4 ... 176 psi, metal bowl, long rotary knob, can be locked using accessories							
Bowl drain	Connection	Filtration grade 5 µm			Filtration grade 40 µm		
		Part No.	Type	LT	Part No.	Type	LT
Fully automatic	1 NPT ... 2 NPT ²⁾	537150	MS12-LFR-G-D7-CUV-LD-AS	1D	537149	MS12-LFR-G-D7-EUV-LD-AS	1D

LT = Lead time 1D typically ships same day/next day 3D typically ships within 3 days

2) Port plate must be ordered separately as an accessory → 1075

Filter Regulators MS12N-LFR – Inch Series

Ordering Data – Configurable Products



M Mandatory Data →

Part No.	Series	Size	Thread	Function	Connection size	Pressure regulation range	Filtration grade	Bowl
535025	MS	12	N	LFR	AQT AQU AQV AQW G	D6 D7 D8	E C	U
Order example								
535025	MS	12	N	- LFR	- AQT	- D6	- C	- U

Ordering Table

Grid dimension	[mm]	124	Conditions	Code	Enter code
M Part No.	535025				
Series	Standard			MS	MS
Size	12			12	12
Thread	NPT thread			N	N
Function	Filter regulator			-LFR	-LFR
Connection size	Port plate 1 NPT (dimensions → 1075)			-AQT	
	Port plate 1¼ NPT (dimensions → 1075)			-AQU	
	Port plate 1½ NPT (dimensions → 1075)			-AQV	
	Port plate 2 NPT (dimensions → 1075)			-AQW	
	Module without connecting thread, without port plate			-G	
Pressure regulation range	4.4 ... 103 psi			-D6	
	7.4 ... 176 psi			-D7	
	7.4 ... 235 psi			-D8	
Filtration grade	40 µm			-E	
	5 µm			-C	
↓ Bowl	Metal bowl			-U	-U

Transfer order code

535025	MS	12	N	- LFR	-	-	-	-	U
---------------	-----------	-----------	----------	--------------	----------	----------	----------	----------	----------

Filter Regulators MS12N-LFR – Inch Series

Ordering Data – Configurable Products

Options						
Bowl drain	Pressure gauge alternatives	Alternative pressure gauge scale	Rotary knob	Security	Type of mounting	Reverse flow direction
M V E1 E2 E3 E4	VS A4	BAR MPA	LD	AS	WP	Z
- E1	-	-	- LD	- AS	- WP	- Z

Ordering Table				
Grid dimension	[mm]	124	Conditions Code Enter code	
M	Bowl drain	Manual	-M	
		Fully automatic (P1 max. 176 psi)	-V	
		External fully automatic bowl drain, electrical, 24 V DC, M12	-E1	
		External fully automatic bowl drain, electrical, 110 V AC, terminals	-E2	
		External fully automatic bowl drain, electrical, 230 V AC, terminals	-E3	
		External fully automatic bowl drain, electrical, 24 V DC, terminals	-E4	
O	Pressure gauge alternatives	Cover plate	-VS	
		Adapter plate for EN pressure gauge 1/4, without pressure gauge	-A4	
	Alternative pressure gauge scale	bar	-BAR	
		MPa	-MPA	
	Rotary knob	Long rotary knob	-LD	-LD
	Security	Lockable rotary knob	-AS	
	Type of mounting	Mounting bracket (dimensions → 1076)	-WP	
	Reverse flow direction	Flow direction from right to left	-Z	

- 1 V Not with pressure regulation range D8
- 2 BAR, MPA Not with pressure gauge alternatives VS, A4
- 3 WP Only with port plate AQT, AQU, AQV or AQW

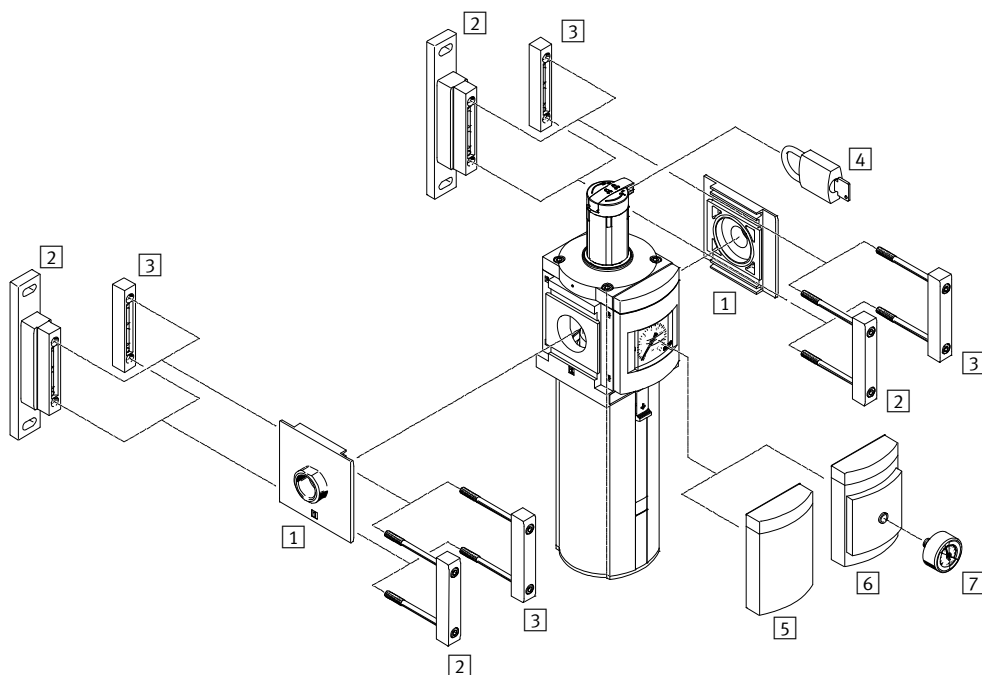
Transfer order code

- [] - [] - [] - **LD** - [] - [] - [] - []

Filter Regulators MS12N-LFR – Inch Series

Accessories Overview

Mounting Attachments and Accessories



Mounting Attachments and Accessories

		→ Page
1	Port plate MS12-AQ...	1075
2	Mounting bracket MS12-WP	1076
3	Body connector MS12-MV	1075
4	Padlock LRVS-D	1076
5	Cover plate VS	1072
6	Adapter for EN pressure gauge 1/4 A4	1072
7	Pressure gauge MA	1076

Filter Regulators MS12N-LFR – Inch Series

Accessories

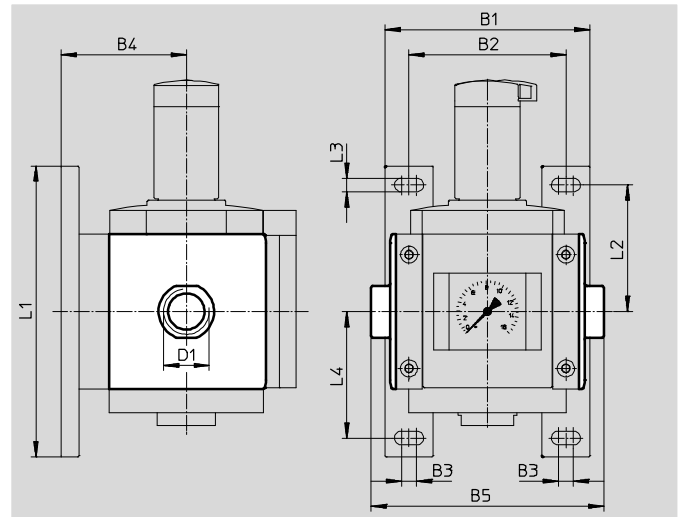
1 Port plate MS12-AQ...

- Adapter for pneumatic connection

Material:

Die-cast aluminum

Free of copper and PTFE



Dimensions and Ordering Data												
B1	B2	B3	B4	B5	D1	L1	L2	L3	L4	Weight [lb]	Part No.	Type
6.38	4.88	0.47	3.90	7.24	1 NPT	9.06	3.94	0.43	3.94	2.60	537139	MS12-AQT
				7.24	1¼ NPT						537140	MS12-AQU
				7.24	1½ NPT						537141	MS12-AQV
				7.72	2 NPT						537142	MS12-AQW

3 Body connector MS12-MV

- For connecting modules

Material:

Die-cast aluminum,

Free of copper and PTFE



Ordering Data			
Size	Weight [lb]	Part No.	Type
MS12	1.00	537134	MS12-MV

Filter Regulators MS12N-LFR – Inch Series

Accessories

FESTO

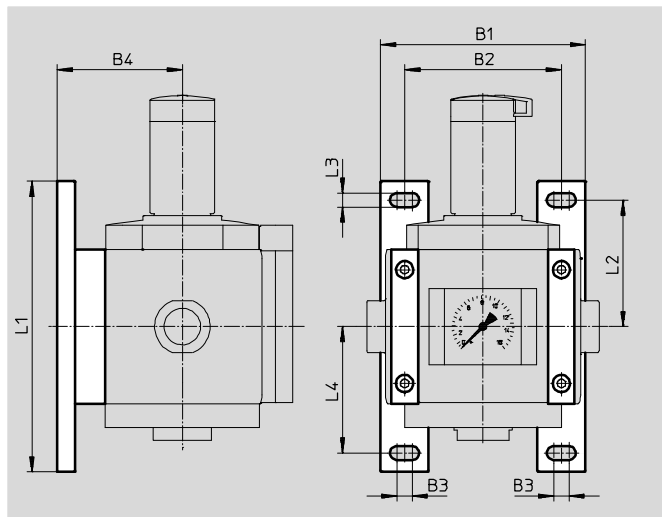
2 Mounting bracket MS12-WP

- To connect the modules for wall mounting
- In combination with a port plate for mounting an individual unit on a wall

Material:

Die-cast aluminum

Free of copper and PTFE



Dimensions and Ordering Data

Size	B1	B2	B3	B4	L1	L2	L3	L4	Weight [lb]	Part No.	Type
MS12	6.38	4.88	0.47	3.90	9.06	3.94	0.43	3.94	1.40	537133	MS12-WP

7 Ordering Data – Pressure Gauge MA

Technical data → www.festo.com/catalog/ma

	Nominal size	Pneumatic connection	Indicating range		Part No.	Type
			[bar]	[psi]		
	Pressure gauge MA, DIN EN 837-1					
	1.57	R $\frac{1}{4}$	0 ... 16	0 ... 232	187080	MA-40-16-R $\frac{1}{4}$ -EN
	Pressure gauge MA, DIN EN 837-1, with red-green range					
	1.97	R $\frac{1}{4}$	–	0 ... 232	526790	MA-50-232-R $\frac{1}{4}$ -PSI-E-RG

4 Ordering Data – Padlock LRVS-D

	Description	Weight [lb]	Part No.	Type
	for regulators, filter/regulators and manual on-off valves	0.24	193786	LRVS-D

Filter Regulators MS12N-LFR – Inch Series

FESTO

Replacement Parts

Ordering Data – Wearing Parts Kits			
Size	Description	Part No.	Type
MS12	Snap-ring, membrane, bellows, O-rings, screws, stem	673586	MS12-LR/LFR

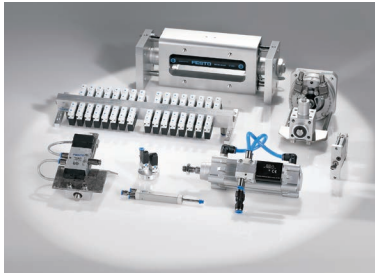
Ordering Data – Filter Cartridges			
Size	Filtration grade [µm]	Part No.	Type
MS12	5	537143	MS12-LFP-C
	40	537144	MS12-LFP-E

- For spare parts go to: www.festo.com/en/spare_parts_service

Product Range and Company Overview

A Complete Suite and Company Overview

Our experienced engineers provide complete support at every stage of your development process, including: conceptualization, analysis, engineering, design, assembly, documentation, validation, and production.



Custom Automation Components
Complete custom engineered solutions



Custom Control Cabinets
Comprehensive engineering support and on-site services



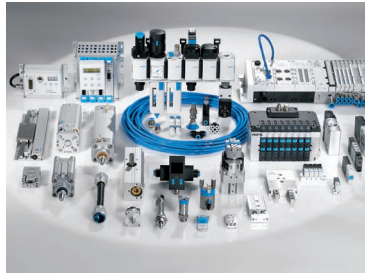
Complete Systems
Shipment, stocking and storage services

The Broadest Range of Automation Components

With a comprehensive line of more than 30,000 automation components, Festo is capable of solving the most complex automation requirements.



Electromechanical
Electromechanical actuators, motors, controllers & drivers



Pneumatics
Pneumatic linear and rotary actuators, valves, and air supply



PLCs and I/O Devices
PLC's, operator interfaces, sensors and I/O devices

Supporting Advanced Automation... As No One Else Can!

Festo is a leading global manufacturer of pneumatic and electromechanical systems, components and controls for industrial automation, with more than 16,000 employees in 60 national headquarters serving more than 180 countries. For more than 80 years, Festo has continuously elevated the state of manufacturing with innovations and optimized motion control solutions that deliver higher performing, more profitable automated manufacturing and processing equipment. Our dedication to the advancement of automation extends beyond technology to the education and development of current and future automation and robotics designers with simulation tools, teaching programs, and on-site services.

Quality Assurance, ISO 9001 and ISO 14001 Certifications

Festo Corporation is committed to supply all Festo products and services that will meet or exceed our customers' requirements in product quality, delivery, customer service and satisfaction.

To meet this commitment, we strive to ensure a consistent, integrated, and systematic approach to management that will meet or exceed the requirements of the ISO 9001 standard for Quality Management and the ISO 14001 standard for Environmental Management.



© Copyright 2013, Festo Corporation. While every effort is made to ensure that all dimensions and specifications are correct, Festo cannot guarantee that publications are completely free of any error, in particular typing or printing errors. Accordingly, Festo cannot be held responsible for the same. For Liability and Warranty conditions, refer to our "Terms and Conditions of Sale", available from your local Festo office. All rights reserved. No part of this publication may be reproduced, distributed, or transmitted in any form or by any means, electronic, mechanical, photocopying or otherwise, without the prior written permission of Festo. All technical data subject to change according to technical update.



Printed on recycled paper at New Horizon Graphic, Inc., FSC certified as an environmental friendly printing plant.

Festo North America



1 Festo Canada Headquarters
Festo Inc.
5300 Explorer Drive
Mississauga, ON
L4W 5G4

2 Montréal
5600, Trans-Canada
Pointe-Claire, QC
H9R 1B6

3 Québec City
2930, rue Watt#117
Québec, QC
G1X 4G3



4 Festo United States Headquarters
Festo Corporation
395 Moreland Road
Hauppauge, NY
11788

5 Appleton
North 922 Tower View Drive, Suite N
Greenville, WI
54942

7 Detroit
1441 West Long Lake Road
Troy, MI
48098

6 Chicago
85 W Algonquin - Suite 340
Arlington Heights, IL
60005

8 Silicon Valley
4935 Southfront Road, Suite F
Livermore, CA
94550

Festo Regional Contact Center

Canadian Customers

Commercial Support:
Tel: 1 877 GO FESTO (1 877 463 3786)
Fax: 1 877 FX FESTO (1 877 393 3786)
Email: festo.canada@ca.festo.com

Technical Support:
Tel: 1 866 GO FESTO (1 866 463 3786)
Fax: 1 877 FX FESTO (1 877 393 3786)
Email: technical.support@ca.festo.com

USA Customers

Commercial Support:
Tel: 1 800 99 FESTO (1 800 993 3786)
Fax: 1 800 96 FESTO (1 800 963 3786)
Email: customer.service@us.festo.com

Technical Support:
Tel: 1 866 GO FESTO (1 866 463 3786)
Fax: 1800 96 FESTO (1 800 963 3786)
Email: product.support@us.festo.com