

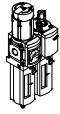
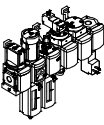



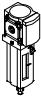

**On-off/soft-start valves MS-EM/EE/DL/DE, MS series**



# On-off/soft-start valves MS-EM/EE/DL/DE, MS series



Product range overview – MS series service units

Type	Size	Pneumatic connection in housing	Connecting plate	Pressure regulation range [bar]						Grade of filtration [µm]			
				0.05	0.05	0.1	0.3	0.1	0.5	0.01	1	5	40
Code			AG.../AQ...	0.7	2.5	4	7	12	16	A	B	C	E
<b>Service unit combinations</b>													
<b>MSB-FRC</b> 	4	G1/8, G1/4	G1/8, G1/4, G3/8	-	-	-	■	■	-	-	-	■	■
	6	G1/4, G3/8, G1/2	G1/4, G3/8, G1/2, G3/4	-	-	-	■	■	-	-	-	■	■
	9	-	-	-	-	-	-	-	-	-	-	-	-
	12	-	-	-	-	-	-	-	-	-	-	-	-
<b>Service unit combinations (further variants can be ordered using the configurator → Internet: msb4, msb6 or msb9)</b>													
<b>MSB</b> 	4	G1/4	G1/8, G1/4, G3/8	-	-	-	■	■	-	-	-	■	■
	6	G1/2	G1/4, G3/8, G1/2, G3/4	-	-	-	■	■	-	-	-	■	■
	9	-	-	-	-	-	-	-	-	-	-	-	-
	12	-	-	-	-	-	-	-	-	-	-	-	-
<b>Individual devices</b>													
<b>Filter regulators</b> <b>MS-LFR</b> 	4	G1/8, G1/4	G1/8, G1/4, G3/8	-	-	■	■	■	-	-	-	■	■
	6	G1/4, G3/8, G1/2	G1/4, G3/8, G1/2, G3/4	-	-	■	■	■	■	-	-	■	■
	9	G3/4, G1	G1/2, G3/4, G1, G1 1/4, G1 1/2	-	-	■	■	■	■	-	-	■	■
	12	-	G1, G1 1/4, G1 1/2, G2	-	-	-	■	■	■	-	-	■	■
<b>Filters</b> <b>MS-LF</b> 	4	G1/8, G1/4	G1/8, G1/4, G3/8	-	-	-	-	-	-	-	-	■	■
	6	G1/4, G3/8, G1/2	G1/4, G3/8, G1/2, G3/4	-	-	-	-	-	-	-	-	■	■
	9	G3/4, G1	G1/2, G3/4, G1, G1 1/4, G1 1/2	-	-	-	-	-	-	-	-	■	■
	12	-	G1, G1 1/4, G1 1/2, G2	-	-	-	-	-	-	-	-	■	■
<b>Fine and micro filters</b> <b>MS-LFM</b> 	4	G1/8, G1/4	G1/8, G1/4, G3/8	-	-	-	-	-	-	■	■	-	-
	6	G1/4, G3/8, G1/2	G1/4, G3/8, G1/2, G3/4	-	-	-	-	-	-	■	■	-	-
	9	G3/4, G1	G1/2, G3/4, G1, G1 1/4, G1 1/2	-	-	-	-	-	-	■	■	-	-
	12	-	G1, G1 1/4, G1 1/2, G2	-	-	-	-	-	-	■	■	-	-
<b>Activated carbon filters</b> <b>MS-LFX</b> 	4	G1/8, G1/4	G1/8, G1/4, G3/8	-	-	-	-	-	-	-	-	-	-
	6	G1/4, G3/8, G1/2	G1/4, G3/8, G1/2, G3/4	-	-	-	-	-	-	-	-	-	-
	9	G3/4, G1	G1/2, G3/4, G1, G1 1/4, G1 1/2	-	-	-	-	-	-	-	-	-	-
	12	-	G1, G1 1/4, G1 1/2, G2	-	-	-	-	-	-	-	-	-	-
<b>Water separators</b> <b>MS-LWS</b> 	4	-	-	-	-	-	-	-	-	-	-	-	-
	6	G1/4, G3/8, G1/2	G1/4, G3/8, G1/2, G3/4	-	-	-	-	-	-	-	-	-	-
	9	G3/4, G1	G1/2, G3/4, G1, G1 1/4, G1 1/2	-	-	-	-	-	-	-	-	-	-
	12	-	G1, G1 1/4, G1 1/2, G2	-	-	-	-	-	-	-	-	-	-

# On-off/soft-start valves MS-EM/EE/DL/DE, MS series



Product range overview – MS series service units

Type	Size	Bowl guard		Condensate drains				Pressure indicator					Security		Options		→ Page/ Internet
		Plastic bowl with plastic bowl guard	Metal bowl	Manual rotary	Semi-automatic	Fully automatic	External, fully automatic, electrical	Cover plate (without pressure gauge)	Integrated MS pressure gauge	Adapter plate for EN pressure gauge G1/8	Adapter plate for EN pressure gauge G1/4	Pressure sensor	Rotary knob with detent, lockable via accessories	Rotary knob with integrated lock	Silencer	Flow direction from right to left	
Code		R	U	M	H	V	E...	VS	AG	A8	A4	AD...	AS	E11	S	Z	
<b>Service unit combinations</b>																	
MSB-FRC	4	■	-	■	-	■	-	-	■	-	-	-	■	-	-	■	msb4
	6	■	■	■	-	■	-	-	■	-	-	-	■	-	-	■	msb6
	9	-	-	-	-	-	-	-	-	-	-	-	-	-	-	-	-
	12	-	-	-	-	-	-	-	-	-	-	-	-	-	-	-	-
<b>Service unit combinations</b>																	
MSB	4	■	■	■	-	■	-	-	■	-	-	-	■	-	-	■	msb4
	6	■	■	■	-	■	-	-	■	-	-	-	■	-	-	■	msb6
	9	-	-	-	-	-	-	-	-	-	-	-	-	-	-	-	-
	12	-	-	-	-	-	-	-	-	-	-	-	-	-	-	-	-
<b>Individual devices</b>																	
Filter regulators MS-LFR	4	■	■	■	■	■	-	■	■	■	■	■	■	■	-	■	ms4-lfr
	6	■	■	■	■	■	■	■	■	■	■	■	■	■	-	■	ms6-lfr
	9	-	■	■	■	■	■	■	■	■	■	■	■	■	-	■	ms9-lfr
	12	-	■	■	-	■	■	■	■	■	■	■	■	■	-	■	ms12-lfr
Filters MS-LF	4	■	■	■	■	■	-	-	-	-	-	-	-	-	-	■	ms4-lf
	6	■	■	■	■	■	■	-	-	-	-	-	-	-	-	■	ms6-lf
	9	-	■	■	■	■	■	-	-	-	-	-	-	-	-	■	ms9-lf
	12	-	■	■	-	■	■	-	-	-	-	-	-	-	-	■	ms12-lf
Fine and micro filters MS-LFM	4	■	■	■	■	■	-	-	-	-	-	-	-	-	-	■	ms4-lfm
	6	■	■	■	■	■	■	-	-	-	-	-	-	-	-	■	ms6-lfm
	9	-	■	■	■	■	■	-	-	-	-	-	-	-	-	■	ms9-lfm
	12	-	■	■	-	■	■	-	-	-	-	-	-	-	-	■	ms12-lfm
Activated carbon filters MS-LFX	4	■	■	-	-	-	-	-	-	-	-	-	-	-	-	■	ms4-lfx
	6	■	■	-	-	-	-	-	-	-	-	-	-	-	-	■	ms6-lfx
	9	-	■	-	-	-	-	-	-	-	-	-	-	-	-	■	ms9-lfx
	12	-	■	-	-	-	-	-	-	-	-	-	-	-	-	■	ms12-lfx
Water separators MS-LWS	4	-	-	-	-	-	-	-	-	-	-	-	-	-	-	-	-
	6	-	■	-	-	■	■	-	-	-	-	-	-	-	-	■	ms6-lws
	9	-	■	-	-	■	■	-	-	-	-	-	-	-	-	■	ms9-lws
	12	-	■	-	-	■	■	-	-	-	-	-	-	-	-	■	ms12-lws

# On-off/soft-start valves MS-EM/EE/DL/DE, MS series



Product range overview – MS series service units

Type	Size	Pneumatic connection in housing	Connecting plate	Pressure regulation range [bar]						Supply voltage			
				0.05	0.05	0.1	0.3	0.1	0.5	24 V DC, connection pattern to EN 175301	24 V DC, connection M12 to IEC 61076-2-101	110 V AC, connection pattern to EN 175301	230 V AC, connection pattern to EN 175301
Code			AG.../AQ...	0.7	2.5	4	7	12	16	V24	V24P	V110	V230
<b>Individual devices</b>													
Pressure regulators <b>MS-LR</b>		4	G1/8, G1/4	G1/8, G1/4, G3/8	-	-	■	■	■	-	-	-	-
		6	G1/4, G3/8, G1/2	G1/4, G3/8, G1/2, G3/4	-	-	■	■	■	■	-	-	-
		9	G3/4, G1	G1/2, G3/4, G1, G1 1/4, G1 1/2	-	-	■	■	■	■	-	-	-
		12	-	G1, G1 1/4, G1 1/2, G2	-	-	-	■	■	■	-	-	-
Pressure regulators <b>MS-LRB</b>		4	G1/4	G1/8, G1/4, G3/8	-	-	■	■	■	-	-	-	-
		6	G1/2	G1/4, G3/8, G1/2, G3/4	-	-	■	■	■	■	-	-	-
		9	-	-	-	-	-	-	-	-	-	-	-
		12	-	-	-	-	-	-	-	-	-	-	-
Precision pressure regulators <b>MS-LRP</b>		4	-	-	■	■	■	-	■	-	-	-	-
		6	G1/4, G3/8, G1/2	G1/4, G3/8, G1/2, G3/4	■	■	■	-	■	-	-	-	-
		9	-	-	-	-	-	-	-	-	-	-	-
		12	-	-	-	-	-	-	-	-	-	-	-
Precision pressure regulators <b>MS-LRPB</b>		4	-	-	■	■	■	-	■	-	-	-	-
		6	G1/2	G1/4, G3/8, G1/2, G3/4	■	■	■	-	■	-	-	-	-
		9	-	-	-	-	-	-	-	-	-	-	-
		12	-	-	-	-	-	-	-	-	-	-	-
Electrical pressure regulators <b>MS-LRE</b>		4	-	-	-	-	-	-	-	-	-	-	-
		6	G1/4, G3/8, G1/2	G1/4, G3/8, G1/2, G3/4	-	-	■	■	■	■	-	-	-
		9	-	-	-	-	-	-	-	-	-	-	-
		12	-	-	-	-	-	-	-	-	-	-	-
Lubricators <b>MS-LOE</b>		4	G1/8, G1/4	G1/8, G1/4, G3/8	-	-	-	-	-	-	-	-	-
		6	G1/4, G3/8, G1/2	G1/4, G3/8, G1/2, G3/4	-	-	-	-	-	-	-	-	-
		9	G3/4, G1	G1/2, G3/4, G1, G1 1/4, G1 1/2	-	-	-	-	-	-	-	-	-
		12	-	G1, G1 1/4, G1 1/2, G2	-	-	-	-	-	-	-	-	-
On-off valves, manually actuated <b>MS-EM(1)</b>		4	G1/8, G1/4	G1/8, G1/4, G3/8	-	-	-	-	-	-	-	-	-
		6	G1/4, G3/8, G1/2	G1/4, G3/8, G1/2, G3/4	-	-	-	-	-	-	-	-	-
		9	G3/4, G1	G1/2, G3/4, G1, G1 1/4, G1 1/2	-	-	-	-	-	-	-	-	-
		12	-	G1, G1 1/4, G1 1/2, G2	-	-	-	-	-	-	-	-	-
On-off valves, electrically actuated <b>MS-EE</b>		4	G1/8, G1/4	G1/8, G1/4, G3/8	-	-	-	-	-	■	-	■	■
		6	G1/4, G3/8, G1/2	G1/4, G3/8, G1/2, G3/4	-	-	-	-	-	■	-	■	■
		9	G3/4, G1	G1/2, G3/4, G1, G1 1/4, G1 1/2	-	-	-	-	-	■	■	■	■
		12	-	G1, G1 1/4, G1 1/2, G2	-	-	-	-	-	■	■	■	■
Soft-start valves, pneumatically actuated <b>MS-DL</b>		4	G1/8, G1/4	G1/8, G1/4, G3/8	-	-	-	-	-	-	-	-	-
		6	G1/4, G3/8, G1/2	G1/4, G3/8, G1/2, G3/4	-	-	-	-	-	-	-	-	-
		9	-	-	-	-	-	-	-	-	-	-	-
		12	-	G1, G1 1/4, G1 1/2, G2	-	-	-	-	-	-	-	-	-
Soft-start valves, electrically actuated <b>MS-DE</b>		4	G1/8, G1/4	G1/8, G1/4, G3/8	-	-	-	-	-	■	-	■	■
		6	G1/4, G3/8, G1/2	G1/4, G3/8, G1/2, G3/4	-	-	-	-	-	■	-	■	■
		9	-	-	-	-	-	-	-	-	-	-	-
		12	-	G1, G1 1/4, G1 1/2, G2	-	-	-	-	-	-	■	■	■

# On-off/soft-start valves MS-EM/EE/DL/DE, MS series

Product range overview – MS series service units

Type	Size	Bowl guard		Pressure indicator				Security			Options		→ Page/ Internet
		Plastic bowl with plastic bowl guard	Metal bowl	Cover plate (without pressure gauge)	Integrated MS pressure gauge	Adapter plate for EN pressure gauge G1/8	Adapter plate for EN pressure gauge G1/4	Pressure sensor	Rotary knob with detent, lockable via accessories	Rotary knob with integrated lock	Silencer	Flow direction from right to left	
Code		R	U	VS	AG	A8	A4	AD...	AS	E11	S	Z	
<b>Individual devices</b>													
Pressure regulators <b>MS-LR</b>	4	-	-	■	■	■	■	■	■	■	-	■	ms4-lr
	6	-	-	■	■	-	■	■	■	■	-	■	ms6-lr
	9	-	-	■	■	-	■	■	■	■	-	■	ms9-lr
	12	-	-	■	■	-	■	-	■	■	-	■	ms12-lr
Pressure regulators <b>MS-LRB</b>	4	-	-	■	■	■	■	■	■	■	-	■	ms4-lrb
	6	-	-	■	■	-	■	■	■	■	-	■	ms6-lrb
	9	-	-	-	-	-	-	-	-	-	-	-	-
	12	-	-	-	-	-	-	-	-	-	-	-	-
Precision pressure regulators <b>MS-LRP</b>	4	-	-	-	-	-	-	-	-	-	-	-	-
	6	-	-	■	-	■	■	■	■	■	-	■	ms6-lrp
	9	-	-	-	-	-	-	-	-	-	-	-	-
	12	-	-	-	-	-	-	-	-	-	-	-	-
Precision pressure regulators <b>MS-LRPB</b>	4	-	-	-	-	-	-	-	-	-	-	-	-
	6	-	-	■	-	■	■	■	■	■	-	■	ms6-lrpb
	9	-	-	-	-	-	-	-	-	-	-	-	-
	12	-	-	-	-	-	-	-	-	-	-	-	-
Electrical pressure regulators <b>MS-LRE</b>	4	-	-	-	-	-	-	-	-	-	-	-	-
	6	-	-	■	■	-	■	-	-	-	-	■	ms6-lre
	9	-	-	-	-	-	-	-	-	-	-	-	-
	12	-	-	-	-	-	-	-	-	-	-	-	-
Lubricators <b>MS-LOE</b>	4	■	■	-	-	-	-	-	-	-	-	■	ms4-loe
	6	■	■	-	-	-	-	-	-	-	-	■	ms6-loe
	9	-	■	-	-	-	-	-	-	-	-	■	ms9-loe
	12	-	■	-	-	-	-	-	-	-	-	■	ms12-loe
On-off valves, manually actuated <b>MS-EM(1)</b>	4	-	-	■	■	■	■	■	-	-	■	■	8
	6	-	-	■	■	-	■	■	-	-	■	■	8
	9	-	-	■	■	-	■	-	-	-	■	■	52
	12	-	-	■	■	-	■	-	-	-	■	■	70
On-off valves, electrically actuated <b>MS-EE</b>	4	-	-	■	■	■	■	■	-	-	■	■	18
	6	-	-	■	■	-	■	■	-	-	■	■	18
	9	-	-	■	■	-	■	■	-	-	■	■	60
	12	-	-	■	■	-	■	-	-	-	■	■	76
Soft-start valves, pneumatically actuated <b>MS-DL</b>	4	-	-	■	■	■	■	■	-	-	-	■	30
	6	-	-	■	■	-	■	■	-	-	-	■	30
	9	-	-	-	-	-	-	-	-	-	-	-	-
	12	-	-	■	■	-	■	-	-	-	-	■	82
Soft-start valves, electrically actuated <b>MS-DE</b>	4	-	-	■	■	■	■	■	-	-	-	■	40
	6	-	-	■	■	-	■	■	-	-	-	■	40
	9	-	-	-	-	-	-	-	-	-	-	-	-
	12	-	-	■	■	-	■	-	-	-	-	■	88

# On-off/soft-start valves MS-EM/EE/DL/DE, MS series



Product range overview – MS series service units

Type	Size	Pneumatic connection in housing	Connecting plate	Performance Level			Supply voltage				
				Category 1, 1-channel	Category 3, 2-channel	Category 4, 2-channel with self-monitoring	24 V DC, connection pattern to EN 175301	24 V DC, connection M12 to IEC 61076-2-101/ to EN 60947-5-2	110 V AC, connection pattern to EN 175301	230 V AC, connection pattern to EN 175301	
Code			AG.../AQ...	C	D	E	V24	V24P	V110	V230	
<b>Individual devices</b>											
Soft start and exhaust valves <b>MS-SV-C</b>		4	–								
		6	G $\frac{1}{2}$	G $\frac{1}{4}$ , G $\frac{3}{8}$ , G $\frac{1}{2}$ , G $\frac{3}{4}$	■	–	–	■	■	■	■
		9	G $\frac{3}{4}$ , G1	G $\frac{1}{2}$ , G $\frac{3}{4}$ , G1, G1 $\frac{1}{4}$ , G1 $\frac{1}{2}$	■	–	–	■	■	■	■
		12	–								
Soft start and exhaust valves <b>MS-SV-D</b>		4	–								
		6	G $\frac{1}{2}$	G $\frac{1}{4}$ , G $\frac{3}{8}$ , G $\frac{1}{2}$ , G $\frac{3}{4}$	–	■	–	■	■	–	–
		9	–								
		12	–								
Soft start and exhaust valves <b>MS-SV-E</b>		4	–								
		6	G $\frac{1}{2}$	G $\frac{1}{4}$ , G $\frac{3}{8}$ , G $\frac{1}{2}$ , G $\frac{3}{4}$	–	–	■	■	–	–	–
		9	–								
		12	–								
Membrane air dryers <b>MS-LDM1</b>		4	G $\frac{1}{8}$ , G $\frac{1}{4}$	G $\frac{1}{8}$ , G $\frac{1}{4}$ , G $\frac{3}{8}$	–	–	–	–	–	–	–
		6	G $\frac{1}{4}$ , G $\frac{3}{8}$ , G $\frac{1}{2}$	G $\frac{1}{4}$ , G $\frac{3}{8}$ , G $\frac{1}{2}$ , G $\frac{3}{4}$	–	–	–	–	–	–	–
		9	–								
		12	–								
Branching modules <b>MS-FRM</b>		4	G $\frac{1}{8}$ , G $\frac{1}{4}$	G $\frac{1}{8}$ , G $\frac{1}{4}$ , G $\frac{3}{8}$	–	–	–	–	–	–	–
		6	G $\frac{1}{4}$ , G $\frac{3}{8}$ , G $\frac{1}{2}$	G $\frac{1}{4}$ , G $\frac{3}{8}$ , G $\frac{1}{2}$ , G $\frac{3}{4}$	–	–	–	–	–	–	–
		9	G $\frac{3}{4}$ , G1	G $\frac{1}{2}$ , G $\frac{3}{4}$ , G1, G1 $\frac{1}{4}$ , G1 $\frac{1}{2}$	–	–	–	–	–	–	–
		12	–	G1, G1 $\frac{1}{4}$ , G1 $\frac{1}{2}$ , G2	–	–	–	–	–	–	–
Distributor blocks <b>MS-FRM-FRZ</b>		4	G $\frac{1}{4}$	–	–	–	–	–	–	–	
		6	G $\frac{1}{2}$	–	–	–	–	–	–	–	
		9	–								
		12	–								
Flow sensors <b>SFAM</b>		4	–								
		6	G $\frac{1}{2}$	G $\frac{1}{2}$	–	–	–	–	–	–	–
		9	–	G1, G1 $\frac{1}{2}$	–	–	–	–	–	–	–
		12	–								

# On-off/soft-start valves MS-EM/EE/DL/DE, MS series

Product range overview – MS series service units

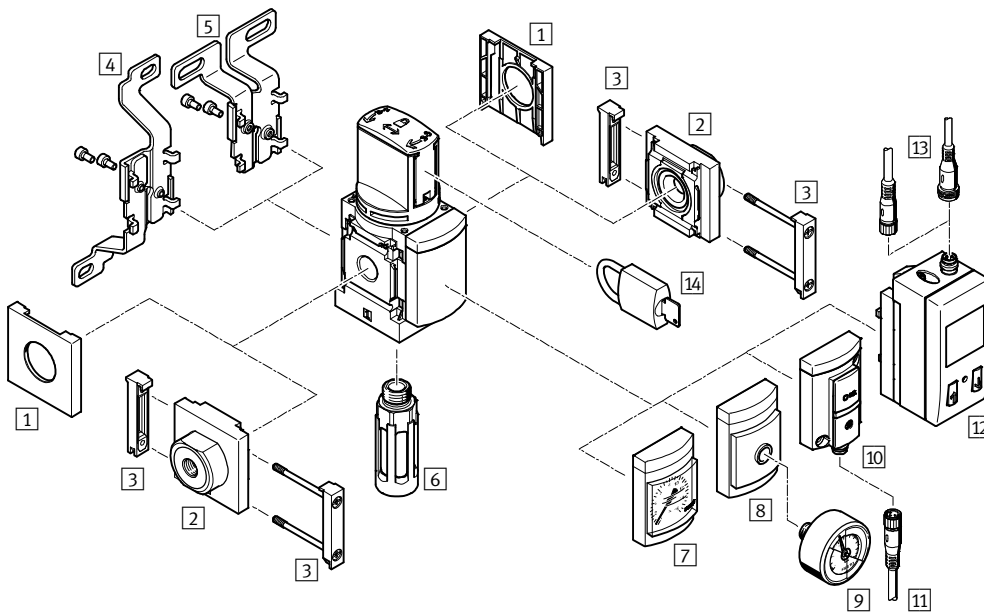
Type	Size	Bowl guard		Pressure indicator				Switch output			Options		→ Page/ Internet
		Plastic bowl with plastic bowl guard	Metal bowl	Cover plate (without pressure gauge)	Integrated MS pressure gauge	Adapter plate for EN pressure gauge G1/8	Adapter plate for EN pressure gauge G1/4	Pressure sensor	2x PNP or NPN, 1 analogue output 4 ... 20 mA	2x PNP or NPN, 1 analogue output 0 ... 10 V	Silencer	Flow direction from right to left	
Code		R	U	VS	AG	A8	A4	AD...	2SA	2SV	S	Z/R	
<b>Individual devices</b>													
Soft start and exhaust valves <b>MS-SV-C</b>	4	-											-
	6	-	-	■	■	-	■	■	-	-	■	■	ms6-sv
	9	-	-	■	■	-	■	■	-	-	■	■	ms9-sv
	12	-											-
Soft start and exhaust valves <b>MS-SV-D</b>	4	-											-
	6	-	-	■	■	-	■	■	-	-	■	■	ms6-sv
	9	-											-
	12	-											-
Soft start and exhaust valves <b>MS-SV-E</b>	4	-											-
	6	-	-	■	■	-	■	■	-	-	■	■	ms6-sv
	9	-											-
	12	-											-
Membrane air dryers <b>MS-LDM1</b>	4	-	■	-	-	-	-	-	-	-	-	■	ms4-ldm1
	6	-	■	-	-	-	-	-	-	-	-	■	ms6-ldm1
	9	-											-
	12	-											-
Branching modules <b>MS-FRM</b>	4	-	-	■	■	■	■	■	-	-	-	■	ms4-frm
	6	-	-	■	■	-	■	■	-	-	-	■	ms6-frm
	9	-	-	■	■	-	■	■	-	-	-	■	ms9-frm
	12	-	-	■	-	-	-	-	-	-	-	-	ms12-frm
Distributor blocks <b>MS-FRM-FRZ</b>	4	-	-	-	-	-	-	-	-	-	-	■	ms4-frm
	6	-	-	-	-	-	-	-	-	-	-	■	ms6-frm
	9	-											-
	12	-											-
Flow sensors <b>SFAM</b>	4	-											-
	6	-	-	-	-	-	-	-	■	■	-	■	sfam-62
	9	-	-	-	-	-	-	-	■	■	-	■	sfam-90
	12	-											-

# On-off valves MS4/MS6-EM1, MS series

Peripherals overview



## On-off valve MS4/MS6-EM1



Note

Additional accessories:

- Module connector for combination with size MS4/MS6 or size MS9 → Internet: amv, rmv, armv
- Adapter plate for mounting on profiles → Internet: ipm-80, ipm-40-80, ipm-80-80

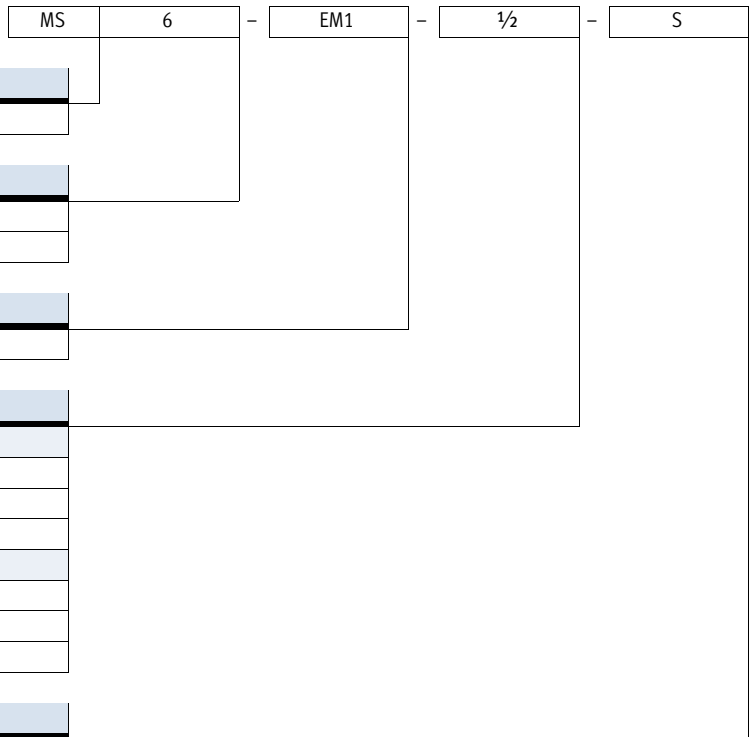
### Mounting attachments and accessories

	Individual device		Combination		→ Page/Internet
	Without connecting plate	With connecting plate	Without connecting plate	With connecting plate	
<b>1</b> Cover cap MS4/6-END	■	-	■	-	ms4-end, ms6-end
<b>2</b> Connecting plate-SET MS4/6-AG...	-	■	-	■	ms4-ag, ms6-ag
Connecting plate-SET MS4/6-AQ...	-	■	-	■	ms4-aq, ms6-aq
<b>3</b> Module connector MS4/6-MV	-	■	■	■	ms4-mv, ms6-mv
<b>4</b> Mounting bracket MS4/6-WB	■	■	-	-	ms4-wb, ms6-wb
<b>5</b> Mounting bracket MS4-WBM	■	■	-	-	ms4-wbm
<b>6</b> Silencer U	■	■	■	■	95
<b>7</b> MS pressure gauge AG/RG	■	■	■	■	16
<b>8</b> Adapter plate for EN pressure gauge 1/8/1/4 A8/A4	■	■	■	■	16
<b>9</b> Pressure gauge MA	■	■	■	■	95
<b>10</b> Pressure sensor without display AD7 ... AD10	■	■	■	■	16
<b>11</b> Connecting cable NEBU-M8...-LE3	■	■	■	■	95
<b>12</b> Pressure sensor with display AD1 ... AD4	■	■	■	■	16
<b>13</b> Connecting cable NEBU-M8...-LE3/NEBU-M12...-LE4	■	■	■	■	95
<b>14</b> Padlock LRVS-D	■	■	■	■	95
- Mounting bracket MS4/6-WP/WPB/WPE/WPM	-	■	■	■	ms4-wp, ms6-wp



# On-off valves MS4/MS6-EM1, MS series

Type codes



Series	
MS	Standard service unit
Size	
4	Grid dimension 40 mm
6	Grid dimension 62 mm
Service function	
EM1	Manually operated on-off valve
Pneumatic connection	
MS4	
1/8	Female thread G1/8
1/4	Female thread G1/4
MS6	
1/4	Female thread G1/4
3/8	Female thread G3/8
1/2	Female thread G1/2
Silencer	
	Without silencer
S	Silencer

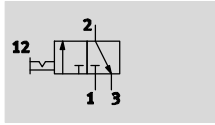
**Additional variants can be ordered using the modular system → 16**

- Connecting plates
- Pressure gauge/pressure gauge alternatives
- Alternative pressure gauge scale
- Type of mounting
- EU certification
- UL certification
- Flow direction

# On-off valves MS4/MS6-EM1, MS series

Technical data

Function



- - Flow rate  
1,200 ... 8,700 l/min
- - Temperature range  
-10 ... +60 °C
- - Operating pressure  
0 ... 18 bar



- Manually operated on-off valve for pressurising and venting pneumatic installations
- The valve is activated by turning the rotary knob
- At connection 3 there is the facility to attach a silencer and/or to duct the exhaust air
- When the valve is closed, the rotary knob can be secured with a padlock
- Optional pressure gauge
- Optional pressure sensor
- Optional device variant EX4 for use in potentially explosive areas in zones 1, 2, 21 and 22

General technical data		
Size	MS4	MS6
Pneumatic connection 1, 2		
Female thread	G $\frac{1}{8}$ or G $\frac{1}{4}$	G $\frac{1}{4}$ , G $\frac{3}{8}$ or G $\frac{1}{2}$
Connecting plate AG...	G $\frac{1}{8}$ , G $\frac{1}{4}$ or G $\frac{3}{8}$	G $\frac{1}{4}$ , G $\frac{3}{8}$ , G $\frac{1}{2}$ or G $\frac{3}{4}$
Connecting plate AQ...	NPT $\frac{1}{8}$ , NPT $\frac{1}{4}$ or NPT $\frac{3}{8}$	NPT $\frac{1}{4}$ , NPT $\frac{3}{8}$ , NPT $\frac{1}{2}$ or NPT $\frac{3}{4}$
Pneumatic connection 3	G $\frac{1}{4}$	G $\frac{1}{2}$
Design	Rotary slide valve	
Type of mounting	Via accessories In-line installation	
Assembly position	Any	
Pressure indicator	Via pressure sensor for displaying output pressure via LCD display and electrical output Via pressure sensor for displaying output pressure via operational status indicator and electrical output Via pressure gauge for displaying output pressure Via pressure gauge with red/green scale for displaying output pressure G $\frac{1}{4}$ prepared G $\frac{3}{8}$ prepared	
Valve function	3/2-way valve, double solenoid	
Exhaust function	No flow control	
Switching position display	Knob actuator direction = flow direction	
Pilot control mode	Direct	
Direction of flow	Non-reversible	

Note: This product conforms to ISO 1179-1 and to ISO 228-1

Flow rate characteristic values					
Size	MS4		MS6		
Pneumatic connection	G $\frac{1}{8}$	G $\frac{1}{4}$	G $\frac{1}{4}$	G $\frac{3}{8}$	G $\frac{1}{2}$
Standard nominal flow rate $q_{nN}^{1)}$ [l/min]					
In main flow direction 1 $\rightarrow$ 2	1,200	2,200	3,000	5,500	8,700
In relief direction 2 $\rightarrow$ 3	1,900	1,700	6,800	6,600	6,200
C value [l/s*min]					
In main flow direction 1 $\rightarrow$ 2	4.6	9.0	10.7	21.2	30.8
b value					
In main flow direction 1 $\rightarrow$ 2	0.51	0.39	0.56	0.49	0.57

1) Measured at p<sub>1</sub> = 6 bar and p<sub>2</sub> = 5 bar, Δp = 1 bar

# On-off valves MS4/MS6-EM1, MS series

Technical data

Operating and environmental conditions		
Size	MS4	MS6
Operating pressure [bar]	0 ... 14 (0 ... 10) <sup>1)</sup>	0 ... 18 (0 ... 10) <sup>1)</sup>
Operating medium	Compressed air in accordance with ISO 8573-1:2010 [7:4:4]	
	Inert gases	
Note on operating/pilot medium	Operation with lubricated medium possible (in which case lubricated operation will always be required)	
Ambient temperature [°C]	-10 ... +60 (0 ... +50) <sup>2)</sup>	-10 ... +60 (0 ... +50) <sup>2)</sup>
Temperature of medium [°C]	-10 ... +60 (0 ... +50) <sup>2)</sup>	-10 ... +60 (0 ... +50) <sup>2)</sup>
Corrosion resistance class CRC <sup>3)</sup>	2	
UL certification	cULus recognized (OL)	

1) Value in brackets applies to MS4/MS6-EM1 with pressure sensor AD... or with UL certification.

2) Value in brackets applies to MS4/MS6-EM1 with pressure sensor AD... .

3) Corrosion resistance class CRC 2 to Festo standard FN 940070

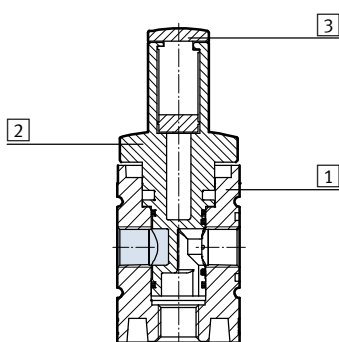
Moderate corrosion stress. Indoor applications in which condensation may occur. External visible parts with primarily decorative requirements for the surface and which are in direct contact with the ambient atmosphere typical for industrial applications.

ATEX	
EU certification	EX4
ATEX category gas	II 2G
Ex-ignition protection type gas	c T6 X
ATEX category dust	II 2D
EX-ignition protection type dust	c 60 °C X
ATEX ambient temperature	-10 °C ≤ Ta ≤ +60 °C
CE mark (see declaration of conformity)	To EU Explosion Protection Directive (ATEX)

Weights [g]		
Size	MS4	MS6
On-off valve	190	580
On-off valve with silencer S	210	655

## Materials

Sectional view



On-off valve		
1	Body	Die-cast aluminium
2	Rotary valve	PA reinforced
3	Lock slide	PA reinforced
-	Seals	NBR, TPE-U(PU)
Note on materials		RoHS-compliant
		Free of copper and PTFE (not with variants AG or AD...)

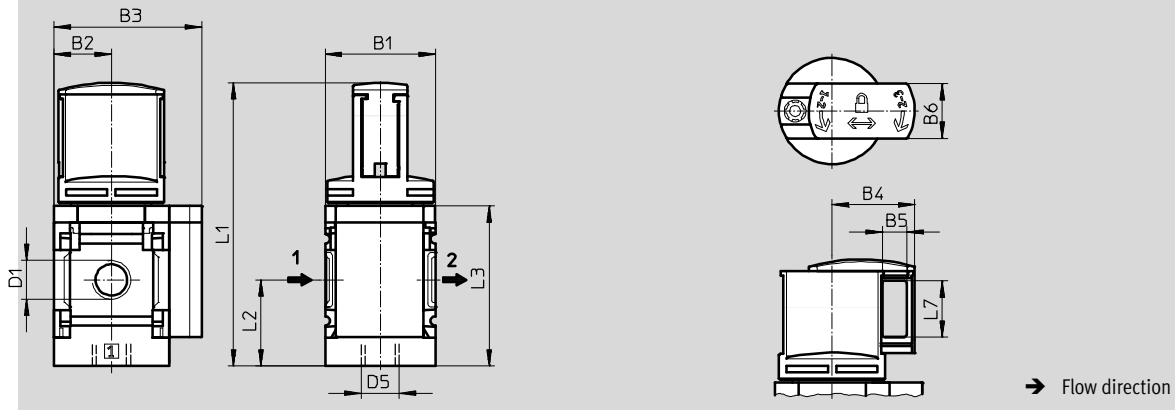
# On-off valves MS4/MS6-EM1, MS series

Technical data

## Dimensions – Basic version

Download CAD data → [www.festo.com](http://www.festo.com)

With female thread, with cover plate



Type	B1	B2	B3	B4	B5	B6	D1	D5	L1	L2	L3	L7
MS4-EM1-1/8	40	21	54	30	9	20	G1/8	G1/4	104	31.5	59	20.6
MS4-EM1-1/4							G1/4					
MS6-EM1-1/4	62	31	76	45	10	24	G1/4	G1/2	150.7	46	84.5	28.2
MS6-EM1-3/8							G3/8					
MS6-EM1-1/2							G1/2					

• Note: This product conforms to ISO 1179-1 and to ISO 228-1

# On-off valves MS4/MS6-EM1, MS series

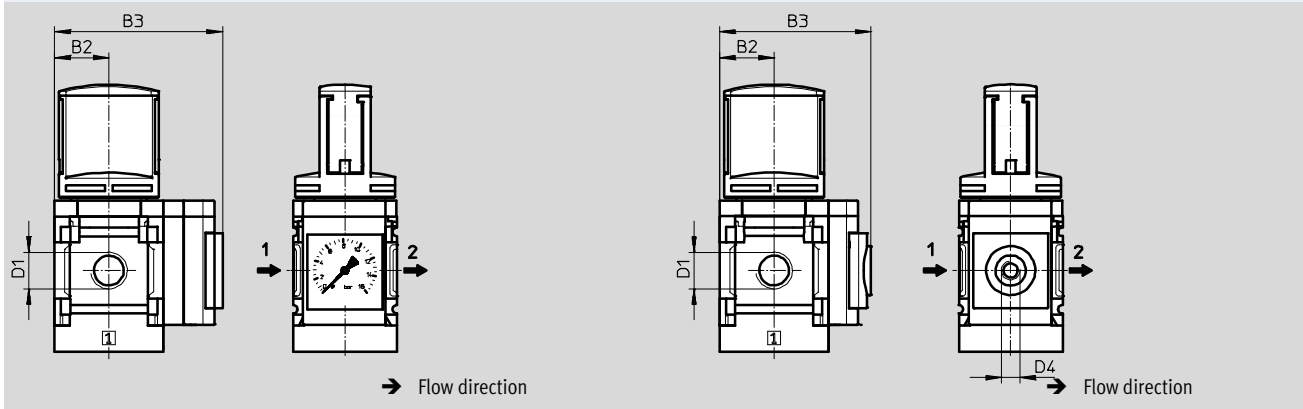
Technical data

**Dimensions – Pressure gauge/pressure gauge alternatives**

Download CAD data → [www.festo.com](http://www.festo.com)

Integrated MS pressure gauge with standard scale AG or red-green scale RG, display unit [bar]

Adapter plate A8/A4 for EN pressure gauge 1/8/1/4, without pressure gauge



Type	B2	B3	D1	D4
MS4-EM1-1/8-...-AG	21	57	G1/8	-
MS4-EM1-1/4-...-AG			G1/4	
MS4-EM1-1/8-...-RG	21	58.5	G1/8	-
MS4-EM1-1/4-...-RG			G1/4	
MS4-EM1-1/8-...-A8	21	58.5	G1/8	G1/8
MS4-EM1-1/4-...-A8			G1/4	
MS4-EM1-1/8-...-A4	21	58.5	G1/8	G1/4
MS4-EM1-1/4-...-A4			G1/4	
MS6-EM1-1/4-...-AG	31	77	G1/4	-
MS6-EM1-3/8-...-AG			G3/8	
MS6-EM1-1/2-...-AG			G1/2	
MS6-EM1-1/4-...-RG	31	78.5	G1/4	-
MS6-EM1-3/8-...-RG			G3/8	
MS6-EM1-1/2-...-RG			G1/2	
MS6-EM1-1/4-...-A4	31	78.5	G1/4	G1/4
MS6-EM1-3/8-...-A4			G3/8	
MS6-EM1-1/2-...-A4			G1/2	

• | • Note: This product conforms to ISO 1179-1 and to ISO 228-1

# On-off valves MS4/MS6-EM1, MS series

Technical data

**Dimensions – Pressure gauge/pressure gauge alternatives** Download CAD data → [www.festo.com](http://www.festo.com)  
 Pressure sensor with LCD display AD1 ... AD4 Technical data → Internet: [sde1](#)

Variant AD1:  
SDE1-D10-G2-MS-L-P1-M8 with 3-pin plug M8x1, 1 switching output PNP

Variant AD2:  
SDE1-D10-G2-MS-L-N1-M8 with 3-pin plug M8x1, 1 switching output NPN

Variant AD3:  
SDE1-D10-G2-MS-L-PI-M12 with 4-pin plug M12x1, 1 switching output PNP and 4 ... 20 mA analogue

Variant AD4:  
SDE1-D10-G2-MS-L-NI-M12 with 4-pin plug M12x1, 1 switching output NPN and 4 ... 20 mA analogue

→ Flow direction

**Pressure sensor with operational status indicator AD7 ... AD10** Technical data → Internet: [sde5](#)

Variant AD7:  
SDE5-D10-O-...-P-M8 with 3-pin plug M8x1, threshold value comparator, 1 switching output PNP, N/O contact

Variant AD8:  
SDE5-D10-C-...-P-M8 with 3-pin plug M8x1, threshold value comparator, 1 switching output PNP, N/C contact

Variant AD9:  
SDE5-D10-O3-...-P-M8 with 3-pin plug M8x1, window comparator, 1 switching output PNP, N/O contact

Variant AD10:  
SDE5-D10-C3-...-P-M8 with 3-pin plug M8x1, window comparator, 1 switching output PNP, N/C contact

→ Flow direction

Type	B2	B3	D1	D6	L5	L6
MS4-EM1-1/8-...-AD1/AD2	21	82.6	G1/8	M8x1	35.1	46.7
MS4-EM1-1/4-...-AD1/AD2			G1/4			
MS4-EM1-1/8-...-AD3/AD4	21	82.6	G1/8	M12x1	35.1	55.8
MS4-EM1-1/4-...-AD3/AD4			G1/4			
MS4-EM1-1/8-...-AD7/AD8/AD9/AD10	21	59.1	G1/8	M8x1	-	-
MS4-EM1-1/4-...-AD7/AD8/AD9/AD10			G1/4			
MS6-EM1-1/4-...-AD1/AD2	31	103	G1/4	M8x1	35.1	46.7
MS6-EM1-3/8-...-AD1/AD2			G3/8			
MS6-EM1-1/2-...-AD1/AD2			G1/2			
MS6-EM1-1/4-...-AD3/AD4	31	103	G1/4	M12x1	35.1	55.8
MS6-EM1-3/8-...-AD3/AD4			G3/8			
MS6-EM1-1/2-...-AD3/AD4			G1/2			
MS6-EM1-1/4-...-AD7/AD8/AD9/AD10	31	79	G1/4	M8x1	-	-
MS6-EM1-3/8-...-AD7/AD8/AD9/AD10			G3/8			
MS6-EM1-1/2-...-AD7/AD8/AD9/AD10			G1/2			

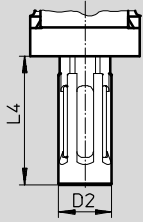
• | • Note: This product conforms to ISO 1179-1 and to ISO 228-1

# On-off valves MS4/MS6-EM1, MS series

Technical data

## Dimensions – Silencer

Download CAD data → [www.festo.com](http://www.festo.com)



Type	D2	L4
MS4-EM1-...-S	19.5	47
MS6-EM1-...-S	28	109

## Ordering data

Size	Connection	Standard		With silencer	
		Part No.	Type	Part No.	Type
MS4	G $\frac{1}{8}$	541262	MS4-EM1- $\frac{1}{8}$ <sup>1)</sup>	541263	MS4-EM1- $\frac{1}{8}$ -S <sup>1)</sup>
	G $\frac{1}{4}$	541258	MS4-EM1- $\frac{1}{4}$ <sup>1)</sup>	541259	MS4-EM1- $\frac{1}{4}$ -S <sup>1)</sup>
MS6	G $\frac{1}{4}$	541271	MS6-EM1- $\frac{1}{4}$ <sup>1)</sup>	541272	MS6-EM1- $\frac{1}{4}$ -S <sup>1)</sup>
	G $\frac{3}{8}$	541275	MS6-EM1- $\frac{3}{8}$ <sup>1)</sup>	541276	MS6-EM1- $\frac{3}{8}$ -S <sup>1)</sup>
	G $\frac{1}{2}$	541267	MS6-EM1- $\frac{1}{2}$ <sup>1)</sup>	541268	MS6-EM1- $\frac{1}{2}$ -S <sup>1)</sup>

1) Free of copper and PTFE

# On-off valves MS4/MS6-EM1, MS series

Ordering data – Modular products

**M** Mandatory data →

Module No.	Series	Size	Function	Pneumatic connection
541266 541279	MS	4 6	EM1	1/8, 1/4, 3/8, 1/2, AG..., AQ...
<b>Order example</b>				
<b>541266</b>	<b>MS</b>	<b>4</b>	<b>- EM1</b>	<b>- 1/4</b>

Ordering table							
Grid dimension	[mm]	40	62	Condi- tions	Code	Enter code	
<b>M</b>	Module No.	<b>541266</b>	<b>541279</b>				
	Series	Standard			<b>MS</b>	MS	
	Size	4	6		...		
	Function	On-off valve, manual			<b>-EM1</b>	-EM1	
	Pneumatic connection	Female thread G1/8	–	1	-1/8		
		Female thread G1/4	Female thread G1/4	1	-1/4		
		–	Female thread G3/8	1	-3/8		
		–	Female thread G1/2	1	-1/2		
		Connecting plate G1/8	–			<b>-AGA</b>	
		Connecting plate G1/4	Connecting plate G1/4			<b>-AGB</b>	
		Connecting plate G3/8	Connecting plate G3/8			<b>-AGC</b>	
		–	Connecting plate G1/2			<b>-AGD</b>	
		–	Connecting plate G3/4			<b>-AGE</b>	
		Connecting plate NPT1/8	–	1		<b>-AQK</b>	
		Connecting plate NPT1/4	Connecting plate NPT1/4	1		<b>-AQN</b>	
		Connecting plate NPT3/8	Connecting plate NPT3/8	1		<b>-AQP</b>	
		–	Connecting plate NPT1/2	1		<b>-AQR</b>	
		–	Connecting plate NPT3/4	1		<b>-AQS</b>	

1 1/8, 1/4, 3/8, 1/2, AQK, AQN, AQP, AQR, AQS, AD1 ... AD4, AD7 ... AD10, WPM  
Not with EU certification EX4

Transfer order code

	<b>MS</b>		<b>- EM1</b>		
--	-----------	--	--------------	--	--



# On-off valves MS4/MS6-EM1, MS series

Ordering data – Modular products



Options						
Silencer	Pressure gauge/ pressure gauge alternatives	Alternative pres- sure gauge scale	Type of mounting	EU certification	UL certification	Flow direction
S	AG, A8, A4, RG, AD1 ... AD4, AD7 ... AD10	PSI, MPA	WP, WPM, WB, WBM	EX4	UL1	Z
- S	- AG	- PSI	- WB	-	-	-

Ordering table							
Grid dimension	[mm]	40	62	Conditions	Code	Enter code	
0 Silencer	Silencer				-S		
Pressure gauge/pressure gauge alternatives	MS pressure gauge, bar				-AG		
	Adapter plate for EN pressure gauge 1/8, without pressure gauge		-		-A8		
	Adapter plate for EN pressure gauge 1/4, without pressure gauge				-A4		
	Integrated pressure gauge, red-green scale				-RG		
	Pressure sensor with LCD display, plug M8, 1 switching output PNP, 3-pin			1 2	-AD1		
	Pressure sensor with LCD display, plug M8, 1 switching output NPN, 3-pin			1 2	-AD2		
	Pressure sensor with LCD display, plug M12, 1 switching output PNP, 4-pin, analogue output 4 ... 20 mA			1 2	-AD3		
	Pressure sensor with LCD display, plug M12, 1 switching output NPN, 4-pin, analogue output 4 ... 20 mA			1 2	-AD4		
	Pressure sensor with operational status indicator, plug M8, threshold value comparator, PNP, N/O contact			1 2	-AD7		
	Pressure sensor with operational status indicator, plug M8, threshold value comparator, PNP, N/C contact			1 2	-AD8		
	Pressure sensor with operational status indicator, plug M8, window comparator, PNP, N/O contact			1 2	-AD9		
	Pressure sensor with operational status indicator, plug M8, window comparator, PNP, N/C contact			1 2	-AD10		
	Alternative pressure gauge scale	psi			3	-PSI	
		MPa			4	-MPA	
Type of mounting	Mounting bracket standard design			5	-WP		
	Mounting bracket for attaching the service units			1 5	-WPM		
	Mounting bracket centrally at rear (wall mounting top and bottom), connecting plates not required				-WB		
	Mounting bracket centrally at rear (wall mounting top), connecting plates not required		-		-WBM		
EU certification	II 2GD to EU Directive 94/9/EG				-EX4		
UL certification	cULus, ordinary location for Canada and USA				-UL1		
Flow direction	Flow direction from right to left				-Z		

2 AD1 ... AD4, AD7 ... AD10

Measuring range max. 10 bar

5 WP, WPM

Only with connecting plate AGA, AGB, AGC, AGD, AGE, AQK, AQN, AQP, AQR or AQS

3 PSI

Only with pressure gauge AG

4 MPA

Only with pressure gauge AG or RG

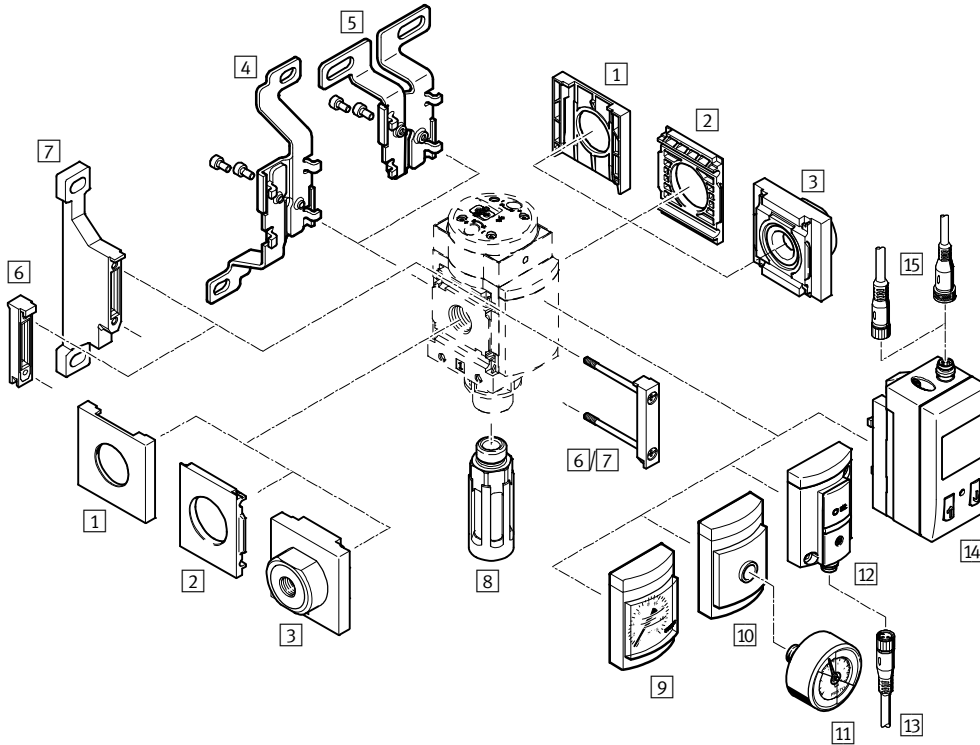
Transfer order code

- [ ] - [ ] - [ ] - [ ] - [ ] - [ ] - [ ]

# On-off valves MS4/MS6-EE, MS series

Peripherals overview

## On-off valve MS4/MS6-EE



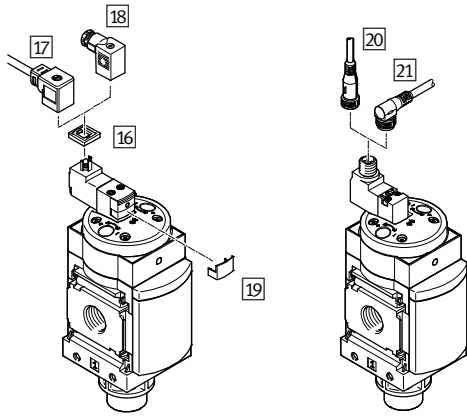
Note

Additional accessories:

- Module connector for combination with size MS4/MS6 or size MS9 → Internet: amv, rmv, armv
- Adapter plate for mounting on profiles → Internet: ipm-80, ipm-40-80, ipm-80-80

Supply voltage  
V24/10V24/V110/V230

Supply voltage  
10V24P



# On-off valves MS4/MS6-EE, MS series

Peripherals overview

Mounting attachments and accessories						
		Individual device		Combination		→ Page/Internet
		Without connecting plate	With connecting plate	Without connecting plate	With connecting plate	
1	Cover cap MS4/6-END	■	–	■	–	ms4-end, ms6-end
2	Mounting plate MS4/6-AEND	■ <sup>1)</sup>	–	■ <sup>1)</sup>	–	ms4-aend, ms6-aend
3	Connecting plate-SET MS4/6-AG...	–	■ <sup>1)</sup>	–	■ <sup>1)</sup>	ms4-ag, ms6-ag
	Connecting plate-SET MS4/6-AQ...	–	■ <sup>1)</sup>	–	■ <sup>1)</sup>	ms4-aq, ms6-aq
4	Mounting bracket MS4/6-WB	■	■	–	–	ms4-wb, ms6-wb
5	Mounting bracket MS4-WBM	■	■	–	–	ms4-wbm
6	Module connector MS4/6-MV	–	■	■	■	ms4-mv, ms6-mv
7	Mounting bracket MS4/6-WP	■	■	■	■	ms4-wp, ms6-wp
	Mounting bracket (not illustrated) MS4/6-WPB/WPE/WPM	■	■	■	■	ms4-wp, ms6-wp
8	Silencer U	■	■	■	■	95
9	MS pressure gauge AG/RG	■	■	■	■	28
10	Adapter plate for EN pressure gauge 1/8/1/4 A8/A4	■	■	■	■	28
11	Pressure gauge MA	■	■	■	■	95
12	Pressure sensor without display AD7 ... AD10	■	■	■	■	28
13	Connecting cable NEBU-M8...-LE3	■	■	■	■	95
14	Pressure sensor with display AD1 ... AD4	■	■	■	■	28
15	Connecting cable NEBU-M8...-LE3/NEBU-M12...-LE4	■	■	■	■	95
16	Illuminating seal MEB-LD	■	■	■	■	94
17	Plug socket with cable KMEB	■	■	■	■	94
18	Plug socket MSSD-EB	■	■	■	■	94
19	Locking clip CPV18-HV	■	■	■	■	94
20	Connecting cable NEBU-M12G5	■	■	■	■	95
21	Connecting cable NEBU-M12W5	■	■	■	■	95

1) Module connector MS4/6-MV [6] or mounting bracket MS4/6-WP/WPB/WPE/WPM [7] is required for mounting.

# On-off valves MS4/MS6-EE, MS series

Type codes

FESTO

MS 6 - EE - 1/2 - V110 -

### Series

MS	Standard service unit
----	-----------------------

### Size

4	Grid dimension 40 mm
6	Grid dimension 62 mm

### Service function

EE	Solenoid actuated on-off valve
----	--------------------------------

### Pneumatic connection

MS4	
1/8	Female thread G1/8
1/4	Female thread G1/4
MS6	
1/4	Female thread G1/4
3/8	Female thread G3/8
1/2	Female thread G1/2

### Supply voltage

10V24	Supply voltage 24 V DC
V110	Supply voltage 110 V AC
V230	Supply voltage 230 V AC

### Silencer

	Without silencer
S	Silencer

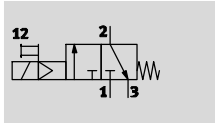
## Additional variants can be ordered using the modular system → 28

- Connecting plates
- Supply voltage
- Pressure gauge/pressure gauge alternatives
- Alternative pressure gauge scale
- Type of mounting
- EU certification
- UL certification
- Flow direction

# On-off valves MS4/MS6-EE, MS series

Technical data

Function



- Flow rate  
1,000 ... 7,000 l/min
- Temperature range  
-10 ... +60 °C
- Operating pressure  
4 ... 18 bar



- Solenoid actuated on-off valve for pressurising and venting pneumatic installations
- With solenoid coil without plug socket
- Three voltage ranges can be selected
- Ducted exhaust possible via a threaded connection with silencer
- Non-detenting and detenting manual override (variant 10V24: only non-detenting)
- Solenoid actuator can be repositioned by 180°
- Optional pressure sensor
- Optional device variant EX2 for use in potentially explosive areas in zones 2 and 22

General technical data		
Size	MS4	MS6
Pneumatic connection 1, 2	Female thread	G1/8 or G1/4
	Connecting plate AG...	G1/8, G1/4 or G3/8
	Connecting plate AQ...	NPT1/8, NPT1/4 or NPT3/8
Pneumatic connection 3	G1/4	G1/2
Design	Piston spool valve	
Type of mounting	Via accessories	
	In-line installation	
Assembly position	Any	
Pressure indicator	Via pressure sensor for displaying output pressure via LCD display and electrical output	
	Via pressure sensor for displaying output pressure via operational status indicator and electrical output	
	Via pressure gauge for displaying output pressure	
	Via pressure gauge with red/green scale for displaying output pressure	
	G1/4 prepared	
	G3/8 prepared	-
Valve function	3/2-way valve, single solenoid, closed	
Exhaust function	Without flow control	
Type of reset	Mechanical spring	
Switching position display	Via accessories	
Pilot control mode	Piloted	
Pilot air supply	Internal	
Direction of flow	Non-reversible	

-||- Note: This product conforms to ISO 1179-1 and to ISO 228-1

Electrical data		
Coil characteristics	V24	24 V DC: 1.5 W; perm. voltage fluctuations -25%/+10%
	10V24, 10V24P	24 V DC: 1.8 W; perm. voltage fluctuations -15%/+10%
	V110	110 V AC: 50/60 Hz; pick-up power 3.0 VA; holding power 2.4 VA; perm. voltage fluctuations ±10%
	V230	230 V AC: 50/60 Hz; pick-up power 3.0 VA; holding power 2.4 VA; perm. voltage fluctuations -14%/+10%
Electrical connection	V24, 10V24, V110, V230	Plug, square design to EN 175301-803, type C
	10V24P	M12x1 to IEC 61076-2-101
Protection class for solenoid coil	IP65	
Duty cycle	[%]	100

# On-off valves MS4/MS6-EE, MS series

FESTO

Technical data

Flow rate characteristic values					
Size	MS4		MS6		
Pneumatic connection	G $\frac{1}{8}$	G $\frac{1}{4}$	G $\frac{1}{4}$	G $\frac{3}{8}$	G $\frac{1}{2}$
Standard nominal flow rate $q_{nN}^{1)}$ [l/min]					
In main flow direction 1 $\rightarrow$ 2	1,000	2,000	2,600	5,500	7,000
In relief direction 2 $\rightarrow$ 3	1,600	1,600	7,000	6,200	5,500
C value [l/s*min]					
In main flow direction 1 $\rightarrow$ 2	4.5	9.5	11.0	22.0	29.0
b value					
In main flow direction 1 $\rightarrow$ 2	0.5	0.44	0.5	0.5	0.4

1) Measured at  $p_1 = 6$  bar and  $p_2 = 5$  bar,  $\Delta p = 1$  bar

Operating and environmental conditions				
Size	MS4		MS6	
Supply voltage	V24/V110/V230	10V24/10V24P	V24/V110/V230	10V24/10V24P
Operating pressure [bar]	4 ... 14 (4 ... 10) <sup>1)</sup>	4 ... 10	4 ... 18 (4 ... 10) <sup>1)</sup>	4 ... 10
Operating medium	Compressed air in accordance with ISO 8573-1:2010 [7:4:4] Inert gases			
Note on operating/pilot medium	Operation with lubricated medium possible (in which case lubricated operation will always be required)			
Ambient temperature [°C]	-10 ... +60 (0 ... +50) <sup>2)</sup>	-10 ... +50 (0 ... +50) <sup>2)</sup>	-10 ... +60 (0 ... +50) <sup>2)</sup>	-10 ... +50 (0 ... +50) <sup>2)</sup>
Temperature of medium [°C]	-10 ... +60 (0 ... +50) <sup>2)</sup>	-10 ... +50 (0 ... +50) <sup>2)</sup>	-10 ... +60 (0 ... +50) <sup>2)</sup>	-10 ... +50 (0 ... +50) <sup>2)</sup>
Corrosion resistance class CRC <sup>3)</sup>	2			
UL certification	cULus recognized (OL)			

1) Value in brackets applies to MS4/MS6-EE with pressure sensor AD..., with UL certification or with silencer S in combination with EU certification EX2.

2) Value in brackets applies to MS4/MS6-EE with pressure sensor AD...

3) Corrosion resistance class CRC 2 to Festo standard FN 940070

Moderate corrosion stress. Indoor applications in which condensation may occur. External visible parts with primarily decorative requirements for the surface and which are in direct contact with the ambient atmosphere typical for industrial applications.

ATEX	
EU certification	EX2
ATEX category gas	II 3G
Ex-ignition protection type gas	Ex nA IIC T4 X Gc
ATEX category dust	II 3D
EX-ignition protection type dust	Ex tc IIIC T105°C X Dc IP65
ATEX ambient temperature	-10 °C $\leq$ Ta $\leq$ +60 °C
CE mark (see declaration of conformity)	To EU Explosion Protection Directive (ATEX) To EU EMC Directive To EU Low Voltage Directive

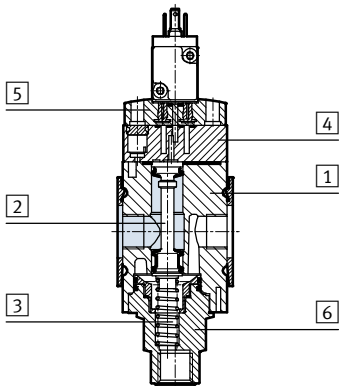
# On-off valves MS4/MS6-EE, MS series

Technical data

Weights [g]		
Size	MS4	MS6
On-off valve	273	740
On-off valve with silencer S	289	816

## Materials

Sectional view



On-off valve		
1	Body	Die-cast aluminium
2	Piston spool	NBR/aluminium
3	Springs	High-alloy stainless steel
4	End cap	PA
5	Top plate	PA
6	Socket end connection	PA
-	Seals	NBR
Note on materials		RoHS-compliant
		Free of copper and PTFE (not with variants AG, 10V24, 10V24P or AD...)

# On-off valves MS4/MS6-EE, MS series

Technical data

Dimensions – Basic version Download CAD data → [www.festo.com](http://www.festo.com)  
 With female thread, with cover plate

Supply voltage V24/10V24/V110/V230

Supply voltage 10V24P

1 = Plug connection to EN 175301-803  
 2 = Solenoid actuator can be repositioned by 180°, i.e. solenoid points to the front  
 3 = PIN only with solenoid actuators 110 V and 230 V  
 4 = Electrical connection to IEC 61076-2-101, plug M12x1, 2 pin for connecting cable NEBU-M12

1 = Unused  
 2 = Unused  
 3 = com (-)  
 4 = Signal (+) solenoid 14

→ Flow direction

Supply voltage V24/V110/V230

Supply voltage 10V24/10V24P

4 Manual override, non-detenting (delivery status)  
 5 Slide  
 6 Cover plate  
 7 Non-detenting and detenting manual override (variant 10V24: only non-detenting)

Note  
 For detenting manual override remove the grey cover plate 6 and press the slide 5 downwards.

Type	B1	B2		B3		B4	B5	D1	D5
		V24/V110/V230	10V24/10V24P	V24/V110/V230	10V24/10V24P				
MS4-EE-1/8	40	42.2	34.9	75.2	67.9	21	54	G1/8	G1/4
MS4-EE-1/4								G1/4	
MS6-EE-1/4	62	52	44	97	89	31	76	G1/4	G1/2
MS6-EE-3/8								G3/8	
MS6-EE-1/2								G1/2	

Type	L1			L2	L3	L7	L8	L9
	V24/V110/V230	10V24	10V24P					
MS4-EE-1/8	142.8	140.4	145.2	58.9	100	8.6	36.7	26.1
MS4-EE-1/4								
MS6-EE-1/4	186	183	188	84	143	8.6	37	26.5
MS6-EE-3/8								
MS6-EE-1/2								

Note: This product conforms to ISO 1179-1 and to ISO 228-1



# On-off valves MS4/MS6-EE, MS series

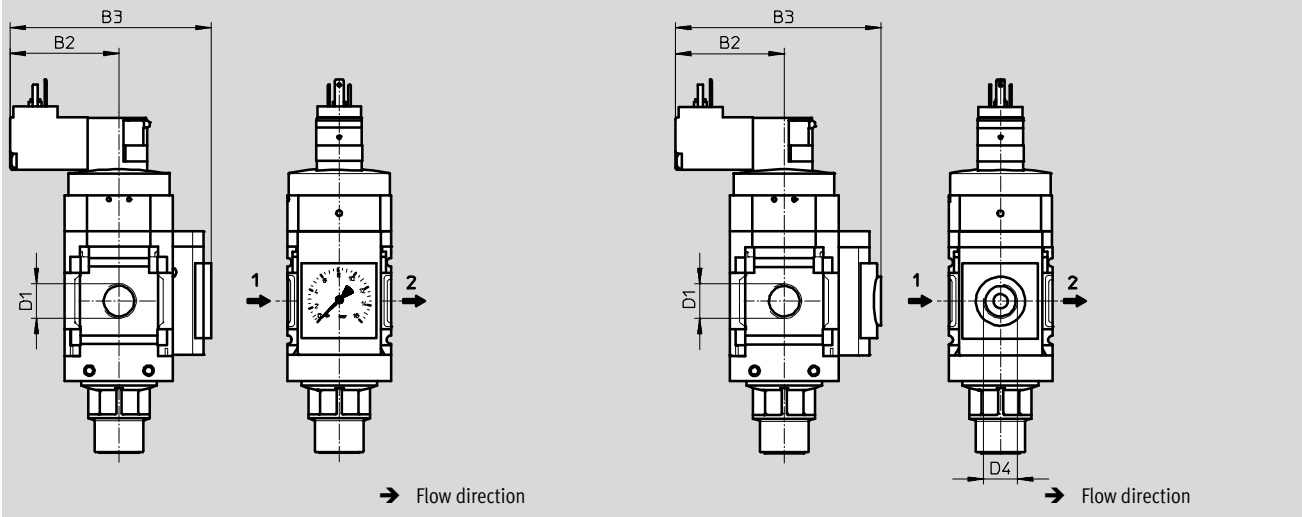
Technical data

**Dimensions – Pressure gauge/pressure gauge alternatives**

Download CAD data → [www.festo.com](http://www.festo.com)

Integrated MS pressure gauge with standard scale AG or red-green scale RG, display unit [bar]

Adapter plate A8/A4 for EN pressure gauge 1/8/1/4, without pressure gauge



Type	B2		B3		D1	D4
	V24/V110/V230	10V24/10V24P	V24/V110/V230	10V24/10V24P		
MS4-EE-1/8-...-AG	42.2	34.9	78.2	70.9	G1/8	-
MS4-EE-1/4-...-AG					G1/4	
MS4-EE-1/8-...-RG	42.2	34.9	79.7	72.4	G1/8	-
MS4-EE-1/4-...-RG					G1/4	
MS4-EE-1/8-...-A8	42.2	34.9	79.7	72.4	G1/8	G1/8
MS4-EE-1/4-...-A8					G1/4	
MS4-EE-1/8-...-A4	42.2	34.9	79.7	72.4	G1/8	G1/4
MS4-EE-1/4-...-A4					G1/4	
MS6-EE-1/4-...-AG	52	44	98	90	G1/4	-
MS6-EE-3/8-...-AG					G3/8	
MS6-EE-1/2-...-AG					G1/2	
MS6-EE-1/4-...-RG	52	44	99.5	91.5	G1/4	-
MS6-EE-3/8-...-RG					G3/8	
MS6-EE-1/2-...-RG					G1/2	
MS6-EE-1/4-...-A4	52	44	99.5	91.5	G1/4	G1/4
MS6-EE-3/8-...-A4					G3/8	
MS6-EE-1/2-...-A4					G1/2	

- | - Note: This product conforms to ISO 1179-1 and to ISO 228-1

# On-off valves MS4/MS6-EE, MS series



Technical data

**Dimensions – Pressure gauge/pressure gauge alternatives** Download CAD data → [www.festo.com](http://www.festo.com)  
 Pressure sensor with LCD display AD1 ... AD4 Technical data → Internet: [sde1](#)

**Variant AD1:**  
SDE1-D10-G2-MS-L-P1-M8 with 3-pin plug M8x1, 1 switching output PNP

**Variant AD2:**  
SDE1-D10-G2-MS-L-N1-M8 with 3-pin plug M8x1, 1 switching output NPN

**Variant AD3:**  
SDE1-D10-G2-MS-L-PI-M12 with 4-pin plug M12x1, 1 switching output PNP and 4 ... 20 mA analogue

**Variant AD4:**  
SDE1-D10-G2-MS-L-NI-M12 with 4-pin plug M12x1, 1 switching output NPN and 4 ... 20 mA analogue

**Pressure sensor with operational status indicator AD7 ... AD10** Technical data → Internet: [sde5](#)

**Variant AD7:**  
SDE5-D10-O-...-P-M8 with 3-pin plug M8x1, threshold value comparator, 1 switching output PNP, N/O contact

**Variant AD8:**  
SDE5-D10-C-...-P-M8 with 3-pin plug M8x1, threshold value comparator, 1 switching output PNP, N/C contact

**Variant AD9:**  
SDE5-D10-O3-...-P-M8 with 3-pin plug M8x1, window comparator, 1 switching output PNP, N/O contact

**Variant AD10:**  
SDE5-D10-C3-...-P-M8 with 3-pin plug M8x1, window comparator, 1 switching output PNP, N/C contact

Type	B2		B3		B4	B5	D1	D6	L5	L6
	V24/ V110/ V230	10V24/ 10V24P	V24/ V110/ V230	10V24/ 10V24P						
MS4-EE-1/8-...-AD1/AD2	42.2	34.9	103.8	96.5	21	82.6	G1/8	M8x1	35.1	46.7
MS4-EE-1/4-...-AD1/AD2							G1/4			
MS4-EE-1/8-...-AD3/AD4	42.2	34.9	103.8	96.5	21	82.6	G1/8	M12x1	35.1	55.8
MS4-EE-1/4-...-AD3/AD4							G1/4			
MS4-EE-1/8-...-AD7/AD8/AD9/AD10	42.2	34.9	80.3	73	21	59.1	G1/8	M8x1	-	-
MS4-EE-1/4-...-AD7/AD8/AD9/AD10							G1/4			
MS6-EE-1/4-...-AD1/AD2	52	44	124	116	31	103	G1/4	M8x1	35.1	46.7
MS6-EE-3/8-...-AD1/AD2							G3/8			
MS6-EE-1/2-...-AD1/AD2							G1/2			
MS6-EE-1/4-...-AD3/AD4	52	44	124	116	31	103	G1/4	M12x1	35.1	55.8
MS6-EE-3/8-...-AD3/AD4							G3/8			
MS6-EE-1/2-...-AD3/AD4							G1/2			
MS6-EE-1/4-...-AD7/AD8/AD9/AD10	52	44	100	92	31	79	G1/4	M8x1	-	-
MS6-EE-3/8-...-AD7/AD8/AD9/AD10							G3/8			
MS6-EE-1/2-...-AD7/AD8/AD9/AD10							G1/2			

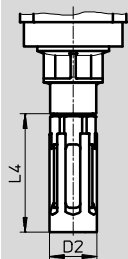
– Note: This product conforms to ISO 1179-1 and to ISO 228-1

# On-off valves MS4/MS6-EE, MS series

Technical data

## Dimensions – Silencer

Download CAD data → [www.festo.com](http://www.festo.com)



Type	D2	L4
MS4-EE-...-S	19.5	48.5
MS6-EE-...-S	28	108

## Ordering data

Size	Connection	Without silencer		With silencer	
		Part No.	Type	Part No.	Type
Supply voltage 24 V DC					
MS4	G1/8	542580	MS4-EE-1/8-10V24	542600	MS4-EE-1/8-10V24-S
	G1/4	542578	MS4-EE-1/4-10V24	542598	MS4-EE-1/4-10V24-S
MS6	G1/4	542584	MS6-EE-1/4-10V24	542604	MS6-EE-1/4-10V24-S
	G3/8	542586	MS6-EE-3/8-10V24	542606	MS6-EE-3/8-10V24-S
	G1/2	542582	MS6-EE-1/2-10V24	542602	MS6-EE-1/2-10V24-S
Supply voltage 110 V AC					
MS4	G1/4	529535	MS4-EE-1/4-V110 <sup>1)</sup>	538719	MS4-EE-1/4-V110-S <sup>1)</sup>
MS6	G1/2	529823	MS6-EE-1/2-V110 <sup>1)</sup>	538731	MS6-EE-1/2-V110-S <sup>1)</sup>
Supply voltage 230 V AC					
MS4	G1/4	529537	MS4-EE-1/4-V230 <sup>1)</sup>	-	-
MS6	G1/2	529825	MS6-EE-1/2-V230 <sup>1)</sup>	-	-

1) Free of copper and PTFE

# On-off valves MS4/MS6-EE, MS series

Ordering data – Modular products

Mandatory data					
Module No.	Series	Size	Function	Pneumatic connection	Supply voltage
527709 527682	MS	4 6	EE	1/8, 1/4, 3/8, 1/2, AG..., AQ...	V24, 10V24, 10V24P, V110, V230
<b>Order example</b>					
<b>527709</b>	<b>MS</b>	<b>4</b>	<b>- EE</b>	<b>- MS</b>	<b>- AGB</b>
					<b>- V24</b>

Ordering table							
Grid dimension	[mm]	40	62	Conditions	Code	Enter code	
M	Module No.	<b>527709</b>		<b>527682</b>			
	Series	Standard			<b>MS</b>	MS	
	Size	4	6		...		
	Function	On-off valve, electrical			<b>-EE</b>	-EE	
	Pneumatic connection	Female thread G1/8	–	1	-1/8		
		Female thread G1/4	Female thread G1/4	1	-1/4		
		–	Female thread G3/8	1	-3/8		
		–	Female thread G1/2	1	-1/2		
		Connecting plate G1/8	–			<b>-AGA</b>	
		Connecting plate G1/4	Connecting plate G1/4			<b>-AGB</b>	
		Connecting plate G3/8	Connecting plate G3/8			<b>-AGC</b>	
		–	Connecting plate G1/2			<b>-AGD</b>	
		–	Connecting plate G3/4			<b>-AGE</b>	
		Connecting plate NPT1/8	–	1		<b>-AQK</b>	
		Connecting plate NPT1/4	Connecting plate NPT1/4	1		<b>-AQN</b>	
		Connecting plate NPT3/8	Connecting plate NPT3/8	1		<b>-AQP</b>	
		–	Connecting plate NPT1/2	1		<b>-AQR</b>	
		–	Connecting plate NPT3/4	1		<b>-AQS</b>	
	Supply voltage	24 V DC (pin allocation to EN 175301) 4 ... 14 bar   4 ... 18 bar			<b>-V24</b>		
		24 V DC (pin allocation to EN 175301) 4 ... 10 bar   4 ... 10 bar		1 2	<b>-10V24</b>		
		24 V DC, M12 to IEC 61076-2-101 4 ... 10 bar   4 ... 10 bar		1 2	<b>-10V24P</b>		
		110 V AC (pin allocation to EN 175301) 4 ... 14 bar   4 ... 18 bar		1	<b>-V110</b>		
		230 V AC (pin allocation to EN 175301) 4 ... 14 bar   4 ... 18 bar		1	<b>-V230</b>		
		4 ... 14 bar   4 ... 18 bar					

1 1/8, 1/4, 3/8, 1/2, AQK, AQN, AQP, AQR, AQS, 10V24, 10V24P, V110, V230, AD1 ... AD4, AD7 ... AD10, WPM  
Not with EU certification EX2

2 10V24, 10V24P  
Max. operating pressure 10 bar

Transfer order code

	<b>MS</b>		<b>- EE</b>		
--	-----------	--	-------------	--	--

# On-off valves MS4/MS6-EE, MS series

Ordering data – Modular products



Options						
Silencer	Pressure gauge/ pressure gauge alternatives	Alternative pressure gauge scale	Type of mounting	EU certification	UL certification	Flow direction
S	AG, A8, A4, RG, AD1 ... AD4, AD7 ... AD10	PSI, MPA	WP, WPM, WB, WBM	EX2	UL1	Z
- S	- AG	-	-	-	-	-

Ordering table						
Grid dimension	[mm]	40	62	Condi- tions	Code	Enter code
0 Silencer		Silencer		3	-S	
Pressure gauge/pressure gauge alternatives		MS pressure gauge, bar			-AG	
		Adapter plate for EN pressure gauge 1/8, without pressure gauge	-		-A8	
		Adapter plate for EN pressure gauge 1/4, without pressure gauge			-A4	
		Integrated pressure gauge, red-green scale			-RG	
		Pressure sensor with LCD display, plug M8, 1 switching output PNP, 3-pin		1 4	-AD1	
		Pressure sensor with LCD display, plug M8, 1 switching output NPN, 3-pin		1 4	-AD2	
		Pressure sensor with LCD display, plug M12, 1 switching output PNP, 4-pin, analogue output 4 ... 20 mA		1 4	-AD3	
		Pressure sensor with LCD display, plug M12, 1 switching output NPN, 4-pin, analogue output 4 ... 20 mA		1 4	-AD4	
		Pressure sensor with operational status indicator, plug M8, threshold value comparator, PNP, N/O contact		1 4	-AD7	
		Pressure sensor with operational status indicator, plug M8, threshold value comparator, PNP, N/C contact		1 4	-AD8	
Alternative pressure gauge scale		psi		5	-PSI	
		MPa		6	-MPA	
	Type of mounting	Mounting bracket standard design		7	-WP	
		Mounting bracket for attaching the service units		1 7	-WPM	
	Mounting bracket centrally at rear (wall mounting top and bottom), connecting plates not required			-WB		
	Mounting bracket centrally at rear (wall mounting top), connecting plates not required		-	-WBM		
EU certification		II 3GD to EU Directive 94/9/EG			-EX2	
UL certification		cULus, ordinary location for Canada and USA		8	-UL1	
Flow direction		Flow direction from right to left			-Z	

3 S Max. operating pressure 10 bar in combination with EU certification EX2

4 AD1 ... AD4, AD7 ... AD10  
Measuring range max. 10 bar

5 PSI Only in combination with pressure gauge AG

6 MPA Only in combination with pressure gauge AG or RG

7 WP, WPM Only with connecting plate AGA, AGB, AGC, AGD, AGE, AQK, AQN, AQP, AQR or AQS

8 UL1 Not with supply voltage V110, V230

Transfer order code

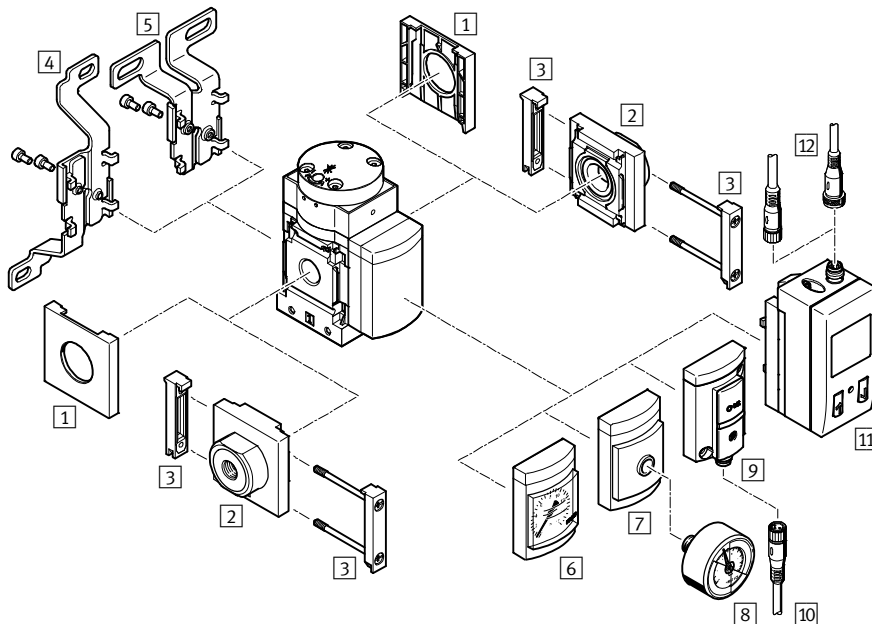
- [ ] - [ ] - [ ] - [ ] - [ ] - [ ] - [ ]

# Soft-start valves MS4/MS6-DL, MS series

Peripherals overview

FESTO

## Soft-start valve MS4/MS6-DL



Note

Additional accessories:

- Module connector for combination with size MS4/MS6 or size MS9 → Internet: amv, rmv, armv
- Adapter plate for mounting on profiles → Internet: ipm-80, ipm-40-80, ipm-80-80

Mounting attachments and accessories						
	Individual device	Combination		→ Page/Internet		
		Without connecting plate	With connecting plate		Without connecting plate	With connecting plate
1	Cover cap MS4/6-END	■	-	■	-	ms4-end, ms6-end
2	Connecting plate-SET MS4/6-AG...	-	■	-	■	ms4-ag, ms6-ag
	Connecting plate-SET MS4/6-AQ...	-	■	-	■	ms4-aq, ms6-aq
3	Module connector MS4/6-MV	-	■	■	■	ms4-mv, ms6-mv
4	Mounting bracket MS4/6-WB	■	■	-	-	ms4-wb, ms6-wb
5	Mounting bracket MS4-WBM	■	■	-	-	ms4-wbm
6	MS pressure gauge AG/RG	■	■	■	■	38
7	Adapter plate for EN pressure gauge 1/8/1/4 A8/A4	■	■	■	■	38
8	Pressure gauge MA	■	■	■	■	95
9	Pressure sensor without display AD7 ... AD10	■	■	■	■	38
10	Connecting cable NEBU-M8...-LE3	■	■	■	■	95
11	Pressure sensor with display AD1 ... AD4	■	■	■	■	38
12	Connecting cable NEBU-M8...-LE3/NEBU-M12...-LE4	■	■	■	■	95
-	Mounting bracket MS4/6-WP/WPB/WPE/WPM	-	■	■	■	ms4-wp, ms6-wp

## Soft-start valves MS4/MS6-DL, MS series

Type codes

		MS	6	-	DL	-	1/2
<b>Series</b>							
MS	Standard service unit						
<b>Size</b>							
4	Grid dimension 40 mm						
6	Grid dimension 62 mm						
<b>Service function</b>							
DL	Pneumatically actuated soft-start valve						
<b>Pneumatic connection</b>							
<b>MS4</b>							
1/8	Female thread G1/8						
1/4	Female thread G1/4						
<b>MS6</b>							
1/4	Female thread G1/4						
3/8	Female thread G3/8						
1/2	Female thread G1/2						

**Additional variants can be ordered using the modular system → 38**

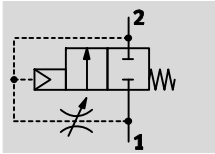
- Connecting plates
- Pressure gauge/pressure gauge alternatives
- Alternative pressure gauge scale
- Type of mounting
- EU certification
- UL certification
- Flow direction




# Soft-start valves MS4/MS6-DL, MS series

Technical data

FESTO

Function



-  - Flow rate  
1,000 ... 6450 l/min
-  - Temperature range  
-10 ... +60 °C
-  - Operating pressure  
4 ... 18 bar



The duration of the pressure build-up is adjusted using the restrictor attached to the valve cap. The output pressure p2 rises slowly in accordance with the restrictor setting. The main seat opens when the switch-through pressure is reached.

- Pneumatically actuated soft-start valve for slowly pressurising and venting pneumatic installations (for use with on-off valves EM1 and EE)
- The drives advance slowly and reliably into the initial position
- Sudden and erratic movements are avoided
- Pressure switching approx. 50% of operating pressure
- Adjustable switching time delay
- Optional pressure sensor
- Optional device variant EX4 for use in potentially explosive areas in zones 1, 2, 21 and 22

General technical data		
Size	MS4	MS6
Pneumatic connection 1, 2		
Female thread	G $\frac{1}{8}$ or G $\frac{1}{4}$	G $\frac{1}{4}$ , G $\frac{3}{8}$ or G $\frac{1}{2}$
Connecting plate AG...	G $\frac{1}{8}$ , G $\frac{1}{4}$ or G $\frac{3}{8}$	G $\frac{1}{4}$ , G $\frac{3}{8}$ , G $\frac{1}{2}$ or G $\frac{3}{4}$
Connecting plate AQ...	NPT $\frac{1}{8}$ , NPT $\frac{1}{4}$ or NPT $\frac{3}{8}$	NPT $\frac{1}{4}$ , NPT $\frac{3}{8}$ , NPT $\frac{1}{2}$ or NPT $\frac{3}{4}$
Design	Piston poppet valve	
Type of mounting	Via accessories In-line installation	
Assembly position	Any	
Pressure indicator	Via pressure sensor for displaying output pressure via LCD display and electrical output Via pressure sensor for displaying output pressure via operational status indicator and electrical output Via pressure gauge for displaying output pressure Via pressure gauge with red/green scale for displaying output pressure G $\frac{1}{4}$ prepared G $\frac{1}{8}$ prepared	
Valve function	2/2-way valve	
Exhaust function	Flow control	
Type of reset	Mechanical spring	
Pilot control mode	Direct	
Pilot air supply	External	
Direction of flow	Non-reversible	

• Note: This product conforms to ISO 1179-1 and to ISO 228-1



# Soft-start valves MS4/MS6-DL, MS series

Technical data

Flow rate characteristic values					
Size	MS4			MS6	
Pneumatic connection	G $\frac{1}{8}$	G $\frac{1}{4}$	G $\frac{1}{4}$	G $\frac{3}{8}$	G $\frac{1}{2}$
Standard nominal flow rate $q_{nN}^{1)}$ [l/min]					
In main flow direction 1 $\rightarrow$ 2	1,000	2,000	2,800	5,050	6,450
In relief direction 2 $\rightarrow$ 1	1,000	2,000	2,800	5,050	6,400
C value [l/s*min]					
In main flow direction 1 $\rightarrow$ 2	4.6	9.6	11.22	21.05	28.97
b value					
In main flow direction 1 $\rightarrow$ 2	0.5	0.45	0.54	0.48	0.39

1) Measured at  $p_1 = 6$  bar and  $p_2 = 5$  bar,  $\Delta p = 1$  bar

Operating and environmental conditions		
Size	MS4	MS6
Operating pressure [bar]	4 ... 14 (4 ... 10) <sup>1)</sup>	4 ... 18 (4 ... 10) <sup>1)</sup>
Operating medium	Compressed air in accordance with ISO 8573-1:2010 [7:4:4] Inert gases	
Note on operating/pilot medium	Operation with lubricated medium possible (in which case lubricated operation will always be required)	
Ambient temperature [°C]	-10 ... +60 (0 ... +50) <sup>2)</sup>	-10 ... +60 (0 ... +50) <sup>2)</sup>
Temperature of medium [°C]	-10 ... +60 (0 ... +50) <sup>2)</sup>	-10 ... +60 (0 ... +50) <sup>2)</sup>
Corrosion resistance class CRC <sup>3)</sup>	2	
UL certification	cULus recognized (OL)	

1) Value in brackets applies to MS4/MS6-DL with pressure sensor AD... or with UL certification.

2) Value in brackets applies to MS4/MS6-DL with pressure sensor AD...

3) Corrosion resistance class CRC 2 to Festo standard FN 940070

Moderate corrosion stress. Indoor applications in which condensation may occur. External visible parts with primarily decorative requirements for the surface and which are in direct contact with the ambient atmosphere typical for industrial applications.

ATEX	
EU certification	EX4
ATEX category gas	II 2G
Ex-ignition protection type gas	c T6 X
ATEX category dust	II 2D
EX-ignition protection type dust	c 60 °C X
ATEX ambient temperature	-10 °C $\leq$ Ta $\leq$ +60 °C
CE mark (see declaration of conformity)	To EU Explosion Protection Directive (ATEX)

# Soft-start valves MS4/MS6-DL, MS series

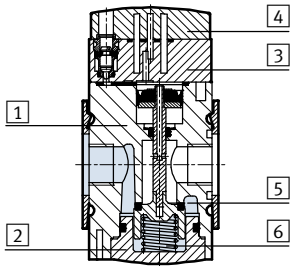
Technical data



Weights [g]		
Size	MS4	MS6
Soft-start valve	213	650

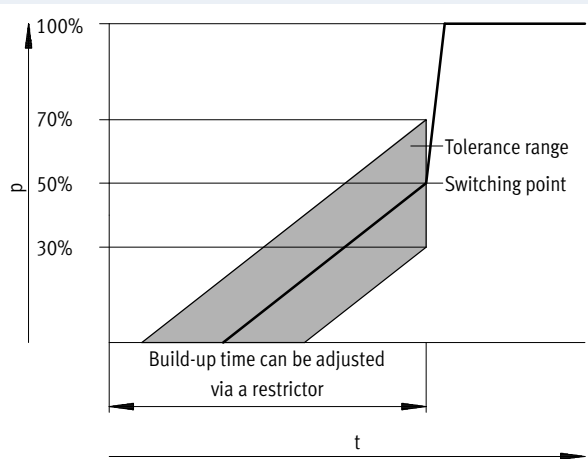
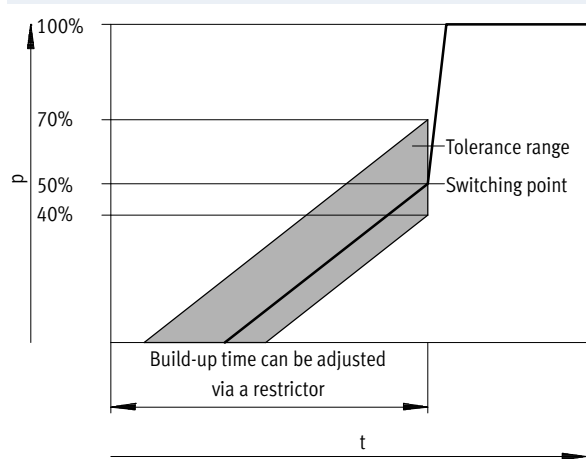
## Materials

Sectional view



Soft-start valve		
1	Body	Die-cast aluminium
2	Base	PET
3	End cap	PA
4	Top plate	PA
5	Seat	Aluminium
6	Springs	Spring steel
-	Seals	NBR
Note on materials		RoHS-compliant
		Free of copper and PTFE (not with variants AG or AD...)

## Switching point – Pressure p as a function of time t



- - Note  
 The tolerance specification +20%/-10% of the switching point refers to the operating pressure p1.  
 Example: at an operating pressure of 4 bar a switching point of 1.6 bar to 2.8 bar is permitted.

- - Note  
 The tolerance specification +20%/-20% of the switching point refers to the operating pressure p1.  
 Example: at an operating pressure of 4 bar a switching point of 1.2 bar to 2.8 bar is permitted.

# Soft-start valves MS4/MS6-DL, MS series

Technical data

## Dimensions – Basic version

Download CAD data → [www.festo.com](http://www.festo.com)

With female thread, with cover plate



Type	B1	B2	B3	D1	L1	L2
MS4-DL-1/8	40	21	54	G1/8	83.2	31.5
MS4-DL-1/4				G1/4		
MS6-DL-1/4	62	31	76	G1/4	108	46
MS6-DL-3/8				G3/8		
MS6-DL-1/2				G1/2		

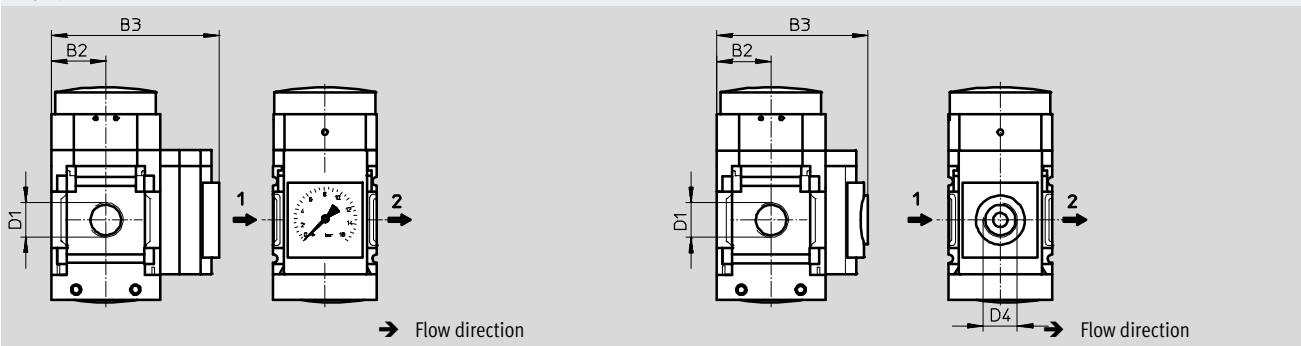
Note: This product conforms to ISO 1179-1 and to ISO 228-1

## Dimensions – Pressure gauge/pressure gauge alternatives

Download CAD data → [www.festo.com](http://www.festo.com)

Integrated MS pressure gauge with standard scale AG or red-green scale RG, display unit [bar]

Adapter plate A8/A4 for EN pressure gauge 1/8/1/4, without pressure gauge



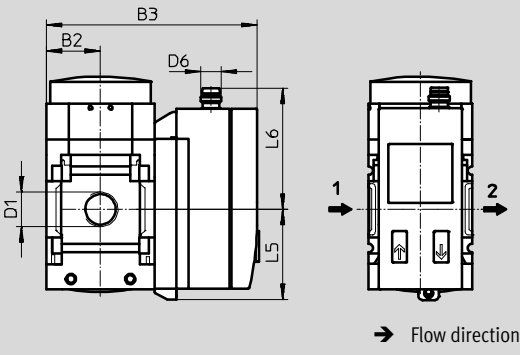
Type	B2	B3	D1	D4
MS4-DL-1/8-...-AG	21	57	G1/8	-
MS4-DL-1/4-...-AG			G1/4	
MS4-DL-1/8-...-RG	21	58.5	G1/8	-
MS4-DL-1/4-...-RG			G1/4	
MS4-DL-1/8-...-A8	21	58.5	G1/8	G1/8
MS4-DL-1/4-...-A8			G1/4	
MS4-DL-1/8-...-A4	21	58.5	G1/8	G1/4
MS4-DL-1/4-...-A4			G1/4	
MS6-DL-1/4-...-AG	31	77	G1/4	-
MS6-DL-3/8-...-AG			G3/8	
MS6-DL-1/2-...-AG			G1/2	
MS6-DL-1/4-...-RG	31	78.5	G1/4	-
MS6-DL-3/8-...-RG			G3/8	
MS6-DL-1/2-...-RG			G1/2	
MS6-DL-1/4-...-A4	31	78.5	G1/4	G1/4
MS6-DL-3/8-...-A4			G3/8	
MS6-DL-1/2-...-A4			G1/2	

Note: This product conforms to ISO 1179-1 and to ISO 228-1

# Soft-start valves MS4/MS6-DL, MS series

Technical data

**Dimensions – Pressure gauge/pressure gauge alternatives** Download CAD data → [www.festo.com](http://www.festo.com)  
 Pressure sensor with LCD display AD1 ... AD4 Technical data → Internet: sde1



Variant AD1:  
SDE1-D10-G2-MS-L-P1-M8 with 3-pin plug M8x1, 1 switching output PNP

Variant AD2:  
SDE1-D10-G2-MS-L-N1-M8 with 3-pin plug M8x1, 1 switching output NPN

Variant AD3:  
SDE1-D10-G2-MS-L-PI-M12 with 4-pin plug M12x1, 1 switching output PNP and 4 ... 20 mA analogue

Variant AD4:  
SDE1-D10-G2-MS-L-NI-M12 with 4-pin plug M12x1, 1 switching output NPN and 4 ... 20 mA analogue

→ Flow direction

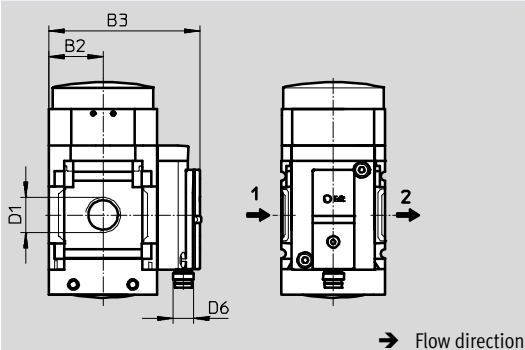
Type	B2	B3	D1	D6	L5	L6
MS4-DL-1/8-...-AD1/AD2	21	82.6	G1/8	M8x1	35.1	46.7
MS4-DL-1/4-...-AD1/AD2			G1/4			
MS4-DL-1/8-...-AD3/AD4	21	82.6	G1/8	M12x1	35.1	55.8
MS4-DL-1/4-...-AD3/AD4			G1/4			
MS6-DL-1/4-...-AD1/AD2	31	103	G1/4	M8x1	35.1	46.7
MS6-DL-3/8-...-AD1/AD2			G3/8			
MS6-DL-1/2-...-AD1/AD2			G1/2			
MS6-DL-1/4-...-AD3/AD4	31	103	G1/4	M12x1	35.1	55.8
MS6-DL-3/8-...-AD3/AD4			G3/8			
MS6-DL-1/2-...-AD3/AD4			G1/2			

· || - Note: This product conforms to ISO 1179-1 and to ISO 228-1

# Soft-start valves MS4/MS6-DL, MS series

Technical data

**Dimensions – Pressure gauge/pressure gauge alternatives** Download CAD data → [www.festo.com](http://www.festo.com)  
 Pressure sensor with operational status indicator AD7 ... AD10 Technical data → Internet: sde5



→ Flow direction

**Variant AD7:**  
SDE5-D10-O-...-P-M8 with 3-pin plug M8x1, threshold value comparator, 1 switching output PNP, N/O contact

**Variant AD8:**  
SDE5-D10-C-...-P-M8 with 3-pin plug M8x1, threshold value comparator, 1 switching output PNP, N/C contact

**Variant AD9:**  
SDE5-D10-O3-...-P-M8 with 3-pin plug M8x1, window comparator, 1 switching output PNP, N/O contact

**Variant AD10:**  
SDE5-D10-C3-...-P-M8 with 3-pin plug M8x1, window comparator, 1 switching output PNP, N/C contact

Type	B2	B3	D1	D6
MS4-DL-1/8-...-AD7/AD8/AD9/AD10	21	59.1	G1/8	M8x1
MS4-DL-1/4-...-AD7/AD8/AD9/AD10			G1/4	
MS6-DL-1/4-...-AD7/AD8/AD9/AD10	31	79	G1/4	M8x1
MS6-DL-3/8-...-AD7/AD8/AD9/AD10			G3/8	
MS6-DL-1/2-...-AD7/AD8/AD9/AD10			G1/2	

• | • Note: This product conforms to ISO 1179-1 and to ISO 228-1

Ordering data			
Size	Connection	Part No.	Type
MS4	G1/8	<b>529533</b>	<b>MS4-DL-1/8<sup>1)</sup></b>
	G1/4	<b>529531</b>	<b>MS4-DL-1/4<sup>1)</sup></b>
MS6	G1/4	<b>529819</b>	<b>MS6-DL-1/4<sup>1)</sup></b>
	G3/8	<b>529821</b>	<b>MS6-DL-3/8<sup>1)</sup></b>
	G1/2	<b>529817</b>	<b>MS6-DL-1/2<sup>1)</sup></b>

1) Free of copper and PTFE

# Soft-start valves MS4/MS6-DL, MS series

Ordering data – Modular products

**M** Mandatory data →

Module No.	Series	Size	Function	Pneumatic connection
527711 527684	MS	4 6	DL	1/8, 1/4, 3/8, 1/2, AG..., AQ...
<b>Order example</b>				
<b>527711</b>	<b>MS</b>	<b>4</b>	<b>- DL</b>	<b>- AGA</b>

**Ordering table**

Grid dimension	[mm]	40	62	Condi- tions	Code	Enter code
<b>M</b> Module No.		<b>527711</b>	<b>527684</b>			
Series		Standard			<b>MS</b>	MS
Size		4	6		...	
Function		Soft-start valve, pneumatic			<b>-DL</b>	-DL
Pneumatic connection		Female thread G1/8	-	1	-1/8	
		Female thread G1/4	Female thread G1/4	1	-1/4	
		-	Female thread G3/8	1	-3/8	
		-	Female thread G1/2	1	-1/2	
		Connecting plate G1/8	-		<b>-AGA</b>	
		Connecting plate G1/4	Connecting plate G1/4		<b>-AGB</b>	
		Connecting plate G3/8	Connecting plate G3/8		<b>-AGC</b>	
		-	Connecting plate G1/2		<b>-AGD</b>	
		-	Connecting plate G3/4		<b>-AGE</b>	
		Connecting plate NPT1/8	-	1	<b>-AQK</b>	
		Connecting plate NPT1/4	Connecting plate NPT1/4	1	<b>-AQN</b>	
		Connecting plate NPT3/8	Connecting plate NPT3/8	1	<b>-AQP</b>	
		-	Connecting plate NPT1/2	1	<b>-AQR</b>	
		-	Connecting plate NPT3/4	1	<b>-AQS</b>	

1 1/8, 1/4, 3/8, 1/2, AQK, AQN, AQP, AQR, AQS, AD1 ... AD4, AD7 ... AD10, WPM  
Not with EU certification EX4

Transfer order code

	<b>MS</b>		<b>- DL</b>	
--	-----------	--	-------------	--

# Soft-start valves MS4/MS6-DL, MS series

Ordering data – Modular products

Options					
Pressure gauge/ pressure gauge alternatives	Alternative pressure gauge scale	Type of mounting	EU certification	UL certification	Flow direction
AG, A8, A4, RG, AD1 ... AD4, AD7 ... AD10	PSI, MPA	WP, WPM, WB, WBM	EX4	UL1	Z
-	-	-	-	-	-

Ordering table						
Grid dimension	[mm]	40	62	Condi- tions	Code	Enter code
0 Pressure gauge/pressure gauge alternatives	MS pressure gauge, bar				-AG	
	Adapter plate for EN pressure gauge 1/8, without pressure gauge	-			-A8	
	Adapter plate for EN pressure gauge 1/4, without pressure gauge				-A4	
	Integrated pressure gauge, red-green scale				-RG	
	Pressure sensor with LCD display, plug M8, 1 switching output PNP, 3-pin			1 2	-AD1	
	Pressure sensor with LCD display, plug M8, 1 switching output NPN, 3-pin			1 2	-AD2	
	Pressure sensor with LCD display, plug M12, 1 switching output PNP, 4-pin, analogue output 4 ... 20 mA			1 2	-AD3	
	Pressure sensor with LCD display, plug M12, 1 switching output NPN, 4-pin, analogue output 4 ... 20 mA			1 2	-AD4	
	Pressure sensor with operational status indicator, plug M8, threshold value comparator, PNP, N/O contact			1 2	-AD7	
	Pressure sensor with operational status indicator, plug M8, threshold value comparator, PNP, N/C contact			1 2	-AD8	
	Pressure sensor with operational status indicator, plug M8, window comparator, PNP, N/O contact			1 2	-AD9	
	Pressure sensor with operational status indicator, plug M8, window comparator, PNP, N/C contact			1 2	-AD10	
	Alternative pressure gauge scale	psi			3	
MPa				4	-MPA	
Type of mounting	Mounting bracket standard design			5	-WP	
	Mounting bracket for attaching the service units			1 5	-WPM	
	Mounting bracket centrally at rear (wall mounting top and bottom), connecting plates not required				-WB	
	Mounting bracket centrally at rear (wall mounting top), connecting plates not required	-			-WBM	
EU certification	II 2GD to EU Directive 94/9/EG				-EX4	
UL certification	cULus, ordinary location for Canada and USA				-UL1	
Flow direction	Flow direction from right to left				-Z	

2 AD1 ... AD4, AD7 ... AD10

Measuring range max. 10 bar

5 WP, WPM

Only with connecting plate AGA, AGB, AGC, AGD, AGE, AQK, AQN, AQP, AQR or AQS

3 PSI

Only with pressure gauge AG

4 MPA

Only with pressure gauge AG or RG

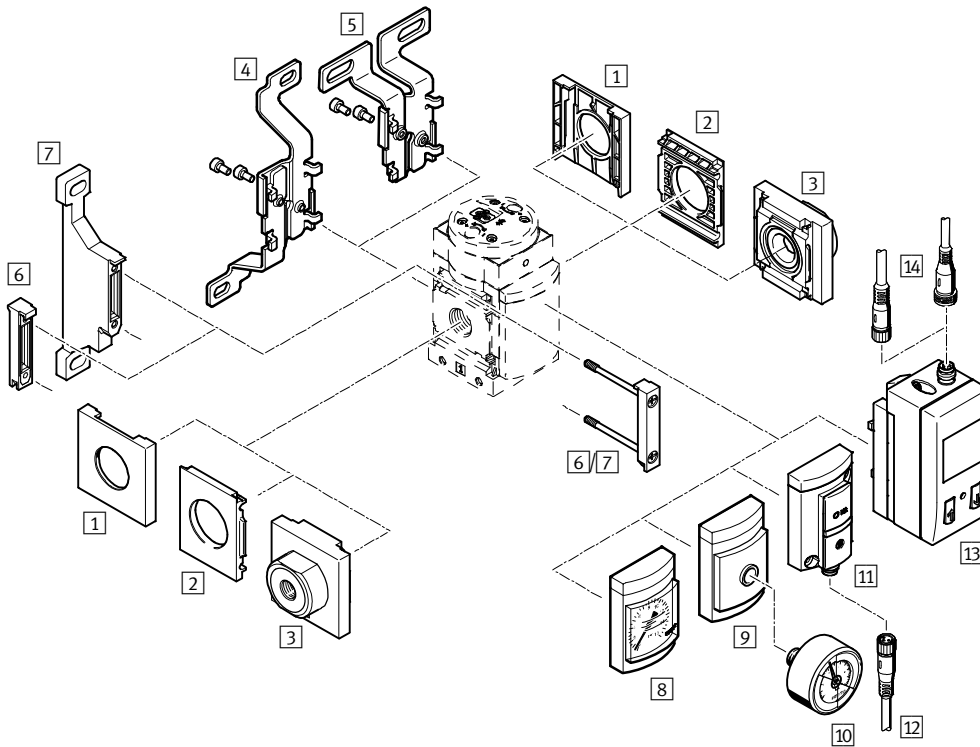
### Transfer order code

- [ ] - [ ] - [ ] - [ ] - [ ] - [ ]

# Soft-start valves MS4/MS6-DE, MS series

Peripherals overview

## Soft-start valve MS4/MS6-DE



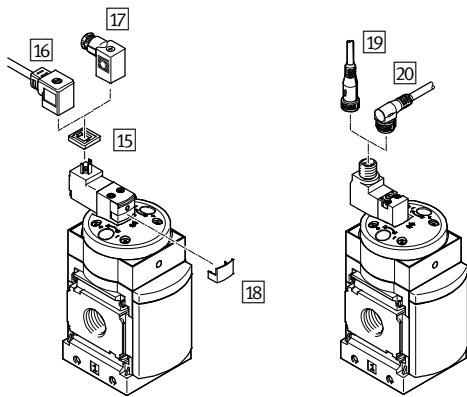
Note

Additional accessories:

- Module connector for combination with size MS4/MS6 or size MS9 → Internet: amv, rmv, armv
- Adapter plate for mounting on profiles → Internet: ipm-80, ipm-40-80, ipm-80-80

Supply voltage  
V24/10V24/V110/V230

Supply voltage  
10V24P





# Soft-start valves MS4/MS6-DE, MS series

Peripherals overview

Mounting attachments and accessories						
		Individual device		Combination		→ Page/Internet
		Without connecting plate	With connecting plate	Without connecting plate	With connecting plate	
1	Cover cap MS4/6-END	■	–	■	–	ms4-end, ms6-end
2	Mounting plate MS4/6-AEND	■ <sup>1)</sup>	–	■ <sup>1)</sup>	–	ms4-aend, ms6-aend
3	Connecting plate-SET MS4/6-AG...	–	■ <sup>1)</sup>	–	■ <sup>1)</sup>	ms4-ag, ms6-ag
	Connecting plate-SET MS4/6-AQ...	–	■ <sup>1)</sup>	–	■ <sup>1)</sup>	ms4-aq, ms6-aq
4	Mounting bracket MS4/6-WB	■	■	–	–	ms4-wb, ms6-wb
5	Mounting bracket MS4-WBM	■	■	–	–	ms4-wbm
6	Module connector MS4/6-MV	–	■	■	■	ms4-mv, ms6-mv
7	Mounting bracket MS4/6-WP	■	■	■	■	ms4-wp, ms6-wp
	Mounting bracket (not illustrated) MS4/6-WPB/WPE/WPM	■	■	■	■	ms4-wp, ms6-wp
8	MS pressure gauge AG/RG	■	■	■	■	50
9	Adapter plate for EN pressure gauge 1/8/1/4 A8/A4	■	■	■	■	50
10	Pressure gauge MA	■	■	■	■	95
11	Pressure sensor without display AD7 ... AD10	■	■	■	■	50
12	Connecting cable NEBU-M8...-LE3	■	■	■	■	95
13	Pressure sensor with display AD1 ... AD4	■	■	■	■	50
14	Connecting cable NEBU-M8...-LE3/NEBU-M12...-LE4	■	■	■	■	95
15	Illuminating seal MEB-LD	■	■	■	■	94
16	Plug socket with cable KMEB	■	■	■	■	94
17	Plug socket MSSD-EB	■	■	■	■	94
18	Locking clip CPV18-HV	■	■	■	■	94
19	Connecting cable NEBU-M12G5	■	■	■	■	95
20	Connecting cable NEBU-M12W5	■	■	■	■	95

1) Module connector MS4/6-MV [6] or mounting bracket MS4/6-WP/WPB/WPE/WPM [7] is required for mounting.

# Soft-start valves MS4/MS6-DE, MS series

Type codes

MS 6 - DE - 1/2 - V110

**Series**

MS	Standard service unit
----	-----------------------

**Size**

4	Grid dimension 40 mm
6	Grid dimension 62 mm

**Service function**

DE	Solenoid actuated soft-start valve
----	------------------------------------

**Pneumatic connection**

<b>MS4</b>	
1/4	Female thread G1/4
<b>MS6</b>	
1/4	Female thread G1/4
3/8	Female thread G3/8
1/2	Female thread G1/2

**Supply voltage**

10V24	Supply voltage 24 V DC
V110	Supply voltage 110 V AC
V230	Supply voltage 230 V AC

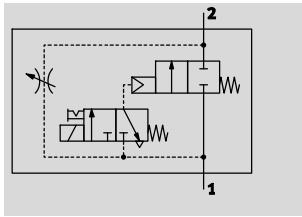
**Additional variants can be ordered using the modular system → 50**

- Female thread
- Connecting plates
- Supply voltage
- Pressure gauge/pressure gauge alternatives
- Alternative pressure gauge scale
- Type of mounting
- EU certification
- UL certification
- Flow direction

# Soft-start valves MS4/MS6-DE, MS series

Technical data

Function



- Flow rate  
1,000 ... 6450 l/min
- Temperature range  
-10 ... +60 °C
- Operating pressure  
4 ... 18 bar



The duration of the pressure build-up is adjusted using the restrictor attached to the valve cap.

The output pressure p2 rises slowly in accordance with the restrictor setting. Only the air flow from the restrictor is available when the solenoid valve is not actuated. The main seat is only opened by energising the solenoid valve.

When the solenoid valve is switched off, the main seat is closed and only the air flow from the flow control valve is available.

The solenoid valve should remain switched on in order to vent a system as this increases the flow rate from 2 and 1 and reduces the exhaust time.

- Solenoid actuated soft-start valve for slowly pressurising and venting pneumatic installations
- The drives advance slowly and reliably into the initial position
- Sudden and erratic movements are avoided
- With solenoid coil without plug socket
- Switch-through pressure can be precisely controlled using a solenoid valve
- Adjustable switching time delay
- Three voltage ranges can be selected
- Non-detenting and detenting manual override (variant 10V24: only non-detenting)
- Solenoid actuator can be repositioned by 180°
- Optional pressure sensor
- Optional device variant EX2 for use in potentially explosive areas in zones 2 and 22

General technical data		
Size	MS4	MS6
Pneumatic connection 1, 2		
Female thread	G $\frac{1}{8}$ or G $\frac{1}{4}$	G $\frac{1}{4}$ , G $\frac{3}{8}$ or G $\frac{1}{2}$
Connecting plate AG...	G $\frac{1}{8}$ , G $\frac{1}{4}$ or G $\frac{3}{8}$	G $\frac{1}{4}$ , G $\frac{3}{8}$ , G $\frac{1}{2}$ or G $\frac{3}{4}$
Connecting plate AQ...	NPT $\frac{1}{8}$ , NPT $\frac{1}{4}$ or NPT $\frac{3}{8}$	NPT $\frac{1}{4}$ , NPT $\frac{3}{8}$ , NPT $\frac{1}{2}$ or NPT $\frac{3}{4}$
Design	Piston poppet valve	
Type of mounting	Via accessories In-line installation	
Assembly position	Any	
Pressure indicator	Via pressure sensor for displaying output pressure via LCD display and electrical output Via pressure sensor for displaying output pressure via operational status indicator and electrical output Via pressure gauge for displaying output pressure Via pressure gauge with red/green scale for displaying output pressure G $\frac{1}{4}$ prepared G $\frac{1}{8}$ prepared	
Valve function	2/2-way valve	
Signal status display	Via accessories	
Type of reset	Mechanical spring	
Pilot control mode	Piloted	
Pilot air supply	Internal	
Direction of flow	Non-reversible	

- Note: This product conforms to ISO 1179-1 and to ISO 228-1

# Soft-start valves MS4/MS6-DE, MS series

FESTO

Technical data

Electrical data		
Coil characteristics	V24	24 V DC: 1.5 W; perm. voltage fluctuations -25%/+10%
	10V24, 10V24P	24 V DC: 1.8 W; perm. voltage fluctuations -15%/+10%
	V110	110 V AC: 50/60 Hz; pick-up power 3.0 VA; holding power 2.4 VA; perm. voltage fluctuations ±10%
	V230	230 V AC: 50/60 Hz; pick-up power 3.0 VA; holding power 2.4 VA; perm. voltage fluctuations -14%/+10%
Electrical connection	V24, 10V24, V110, V230	Plug, square design to EN 175301-803, type C
	10V24P	M12x1 to IEC 61076-2-101
Protection class solenoid coil		IP65
Duty cycle	[%]	100

Flow rate characteristic values					
Size	MS4		MS6		
Pneumatic connection	G $\frac{3}{8}$	G $\frac{1}{4}$	G $\frac{1}{4}$	G $\frac{3}{8}$	G $\frac{1}{2}$
Standard nominal flow rate $q_{nN}^{1)}$ [l/min]					
In main flow direction 1 $\rightarrow$ 2	1,000	2,000	2,700	5,050	6,450
In relief direction 2 $\rightarrow$ 1 <sup>2)</sup>	1,000	2,000	2,600	5,050	6,400
C value [l/s*min]					
In main flow direction 1 $\rightarrow$ 2	4.6	9.6	11.22	21.05	28.97
b value					
In main flow direction 1 $\rightarrow$ 2	0.5	0.45	0.54	0.48	0.39

- 1) Measured at  $p_1 = 6$  bar and  $p_2 = 5$  bar,  $\Delta p = 1$  bar  
 2) For energised solenoid valve.

Operating and environmental conditions				
Size	MS4		MS6	
Supply voltage	V24/V110/V230	10V24/10V24P	V24/V110/V230	10V24/10V24P
Operating pressure [bar]	4 ... 14 (4 ... 10) <sup>1)</sup>	4 ... 10	4 ... 18 (4 ... 10) <sup>1)</sup>	4 ... 10
Operating medium	Compressed air in accordance with ISO 8573-1:2010 [7:4:4] Inert gases			
Note on operating/pilot medium	Operation with lubricated medium possible (in which case lubricated operation will always be required)			
Ambient temperature [°C]	-10 ... +60 (0 ... +50) <sup>2)</sup>	-10 ... +50 (0 ... +50) <sup>2)</sup>	-10 ... +60 (0 ... +50) <sup>2)</sup>	-10 ... +50 (0 ... +50) <sup>2)</sup>
Temperature of medium [°C]	-10 ... +60 (0 ... +50) <sup>2)</sup>	-10 ... +50 (0 ... +50) <sup>2)</sup>	-10 ... +60 (0 ... +50) <sup>2)</sup>	-10 ... +50 (0 ... +50) <sup>2)</sup>
Corrosion resistance class CRC <sup>3)</sup>	2			
UL certification	cULus recognized (OL)			

- 1) Value in brackets applies to MS4/MS6-DE with pressure sensor AD... or with UL certification.  
 2) Value in brackets applies to MS4/MS6-DE with pressure sensor AD...  
 3) Corrosion resistance class CRC 2 to Festo standard FN 940070  
 Moderate corrosion stress. Indoor applications in which condensation may occur. External visible parts with primarily decorative requirements for the surface and which are in direct contact with the ambient atmosphere typical for industrial applications.

ATEX	
EU certification	EX2
ATEX category gas	II 3G
Ex-ignition protection type gas	Ex nA IIC T4 X Gc
ATEX category dust	II 3D
EX-ignition protection type dust	Ex tc IIIC T105°C X Dc IP65
ATEX ambient temperature	-10 °C ≤ Ta ≤ +60 °C
CE mark (see declaration of conformity)	To EU Explosion Protection Directive (ATEX) To EU EMC Directive To EU Low Voltage Directive

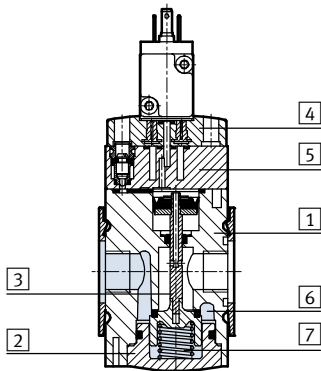
# Soft-start valves MS4/MS6-DE, MS series

Technical data

Weights [g]		
Size	MS4	MS6
Soft-start valve	263	680

## Materials

Sectional view



Soft-start valve		
1	Body	Die-cast aluminium
2	Base	PET
3	Valve stem	Aluminium
4	End cap	PA
5	Top plate	PA
6	Seat	Aluminium
7	Springs	Spring steel
-	Seals	NBR
Note on materials		RoHS-compliant
		Free of copper and PTFE (not with variants AG, 10V24, 10V24P or AD...)

# Soft-start valves MS4/MS6-DE, MS series

Technical data



## Dimensions – Basic version

Download CAD data → [www.festo.com](http://www.festo.com)

With female thread, with cover plate

Supply voltage V24/10V24/V110/V230

Supply voltage 10V24P

1 = Unused  
2 = Unused  
3 = com (-)  
4 = Signal (+) solenoid 14

➔ Flow direction

Supply voltage V24/V110/V230

Supply voltage 10V24/10V24P

4 Manual override, non-detenting (delivery status)  
5 Slide  
6 Cover plate  
7 Non-detenting and detenting manual override (variant 10V24: only non-detenting)

Note  
For detenting manual override remove the grey cover plate [6] and press the slide [5] downwards.

Type	B1	B2		B3		B4	B5	D1
		V24/ V110/ V230	10V24/ 10V24P	V24/ V110/ V230	10V24/ 10V24P			
MS4-DE-1/8	40	42.2	34.9	75.2	67.9	21	54	G1/8
MS4-DE-1/4								G1/4
MS6-DE-1/4	62	52	44	97	89	31	76	G1/4
MS6-DE-3/8								G3/8
MS6-DE-1/2								G1/2

Type	L1			L2	L7	L8	L9
	V24/ V110/ V230	10V24	10V24P				
MS4-DE-1/8	115.4	112.9	117.8	31.5	8.6	36.7	26.1
MS4-DE-1/4							
MS6-DE-1/4	149	147	152	46	8.6	37	26
MS6-DE-3/8							
MS6-DE-1/2							

Note: This product conforms to ISO 1179-1 and to ISO 228-1

# Soft-start valves MS4/MS6-DE, MS series

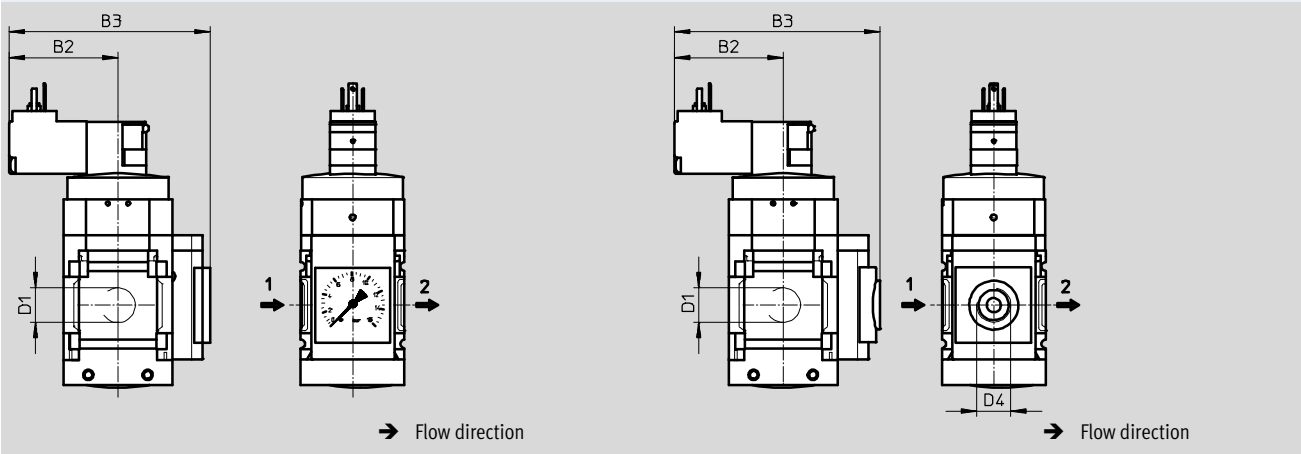
Technical data

### Dimensions – Pressure gauge/pressure gauge alternatives

Download CAD data → [www.festo.com](http://www.festo.com)

Integrated MS pressure gauge with standard scale AG or red-green scale RG, display unit [bar]

Adapter plate A8/A4 for EN pressure gauge 1/8/1/4, without pressure gauge



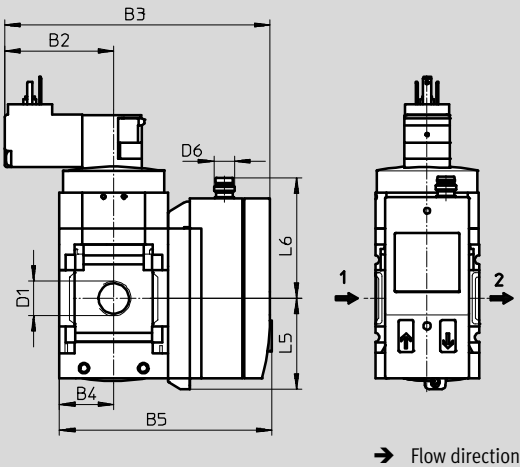
Type	B2		B3		D1	D4
	V24/V110/V230	10V24/10V24P	V24/V110/V230	10V24/10V24P		
MS4-DE-1/8-...-AG	42.2	34.9	78.2	70.9	G1/8	-
MS4-DE-1/4-...-AG					G1/4	
MS4-DE-1/8-...-RG	42.2	34.9	79.7	72.4	G1/8	-
MS4-DE-1/4-...-RG					G1/4	
MS4-DE-1/8-...-A8	42.2	34.9	79.7	72.4	G1/8	G1/8
MS4-DE-1/4-...-A8					G1/4	
MS4-DE-1/8-...-A4	42.2	34.9	79.7	72.4	G1/8	G1/4
MS4-DE-1/4-...-A4					G1/4	
MS6-DE-1/4-...-AG	52	44	98	90	G1/4	-
MS6-DE-3/8-...-AG					G3/8	
MS6-DE-1/2-...-AG					G1/2	
MS6-DE-1/4-...-RG	52	44	99.5	91.5	G1/4	-
MS6-DE-3/8-...-RG					G3/8	
MS6-DE-1/2-...-RG					G1/2	
MS6-DE-1/4-...-A4	52	44	99.5	91.5	G1/4	G1/4
MS6-DE-3/8-...-A4					G3/8	
MS6-DE-1/2-...-A4					G1/2	

• | • Note: This product conforms to ISO 1179-1 and to ISO 228-1

# Soft-start valves MS4/MS6-DE, MS series

Technical data

**Dimensions – Pressure gauge/pressure gauge alternatives** Download CAD data → [www.festo.com](http://www.festo.com)  
 Pressure sensor with LCD display AD1 ... AD4 Technical data → Internet: sde1



Variant AD1:  
SDE1-D10-G2-MS-L-P1-M8 with 3-pin plug M8x1, 1 switching output PNP

Variant AD2:  
SDE1-D10-G2-MS-L-N1-M8 with 3-pin plug M8x1, 1 switching output NPN

Variant AD3:  
SDE1-D10-G2-MS-L-PI-M12 with 4-pin plug M12x1, 1 switching output PNP and 4 ... 20 mA analogue

Variant AD4:  
SDE1-D10-G2-MS-L-NI-M12 with 4-pin plug M12x1, 1 switching output NPN and 4 ... 20 mA analogue

→ Flow direction

Type	B2		B3		B4	B5	D1	D6	L5	L6
	V24/ V110/ V230	10V24/ 10V24P	V24/ V110/ V230	10V24/ 10V24P						
MS4-DE-1/8-...-AD1/AD2	42.2	34.9	103.8	96.5	21	82.6	G1/8	M8x1	35.1	46.7
MS4-DE-1/4-...-AD1/AD2							G1/4			
MS4-DE-1/8-...-AD3/AD4	42.2	34.9	103.8	96.5	21	82.6	G1/8	M12x1	35.1	55.8
MS4-DE-1/4-...-AD3/AD4							G1/4			
MS6-DE-1/4-...-AD1/AD2	52	44	124	116	31	103	G1/4	M8x1	35.1	46.7
MS6-DE-3/8-...-AD1/AD2							G3/8			
MS6-DE-1/2-...-AD1/AD2							G1/2			
MS6-DE-1/4-...-AD3/AD4	52	44	124	116	31	103	G1/4	M12x1	35.1	55.8
MS6-DE-3/8-...-AD3/AD4							G3/8			
MS6-DE-1/2-...-AD3/AD4							G1/2			

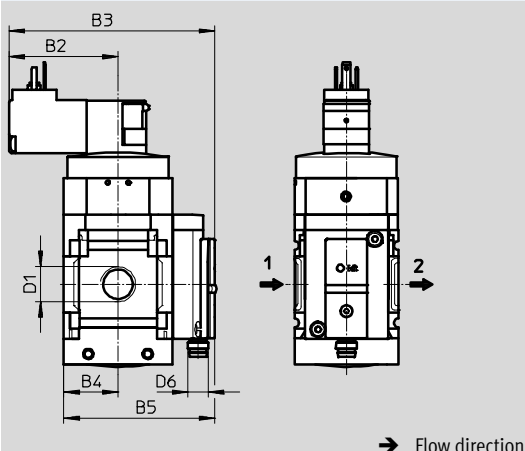
Note: This product conforms to ISO 1179-1 and to ISO 228-1



# Soft-start valves MS4/MS6-DE, MS series

Technical data

**Dimensions – Pressure gauge/pressure gauge alternatives** Download CAD data → [www.festo.com](http://www.festo.com)  
 Pressure sensor with operational status indicator AD7 ... AD10 Technical data → Internet: sde5



**Variant AD7:**  
SDE5-D10-O-...-P-M8 with 3-pin plug M8x1, threshold value comparator, 1 switching output PNP, N/O contact

**Variant AD8:**  
SDE5-D10-C-...-P-M8 with 3-pin plug M8x1, threshold value comparator, 1 switching output PNP, N/C contact

**Variant AD9:**  
SDE5-D10-O3-...-P-M8 with 3-pin plug M8x1, window comparator, 1 switching output PNP, N/O contact

**Variant AD10:**  
SDE5-D10-C3-...-P-M8 with 3-pin plug M8x1, window comparator, 1 switching output PNP, N/C contact

→ Flow direction

Type	B2		B3		B4	B5	D1	D6
	V24/ V110/ V230	10V24/ 10V24P	V24/ V110/ V230	10V24/ 10V24P				
MS4-DE-1/8-...-AD7/AD8/AD9/AD10	42.2	34.9	80.3	73	21	59.1	G1/8	M8x1
MS4-DE-1/4-...-AD7/AD8/AD9/AD10							G1/4	
MS6-DE-1/4-...-AD7/AD8/AD9/AD10	52	44	100	92	31	79	G1/4	M8x1
MS6-DE-3/8-...-AD7/AD8/AD9/AD10							G3/8	
MS6-DE-1/2-...-AD7/AD8/AD9/AD10							G1/2	

• • Note: This product conforms to ISO 1179-1 and to ISO 228-1

Ordering data							
Size	Connection	Supply voltage 24 V DC		Supply voltage 110 V AC		Supply voltage 230 V AC	
		Part No.	Type	Part No.	Type	Part No.	Type
MS4	G1/4	542558	MS4-DE-1/4-10V24	529519	MS4-DE-1/4-V110 <sup>1)</sup>	529521	MS4-DE-1/4-V230 <sup>1)</sup>
MS6	G1/4	542564	MS6-DE-1/4-10V24	–	–	–	–
	G3/8	542566	MS6-DE-3/8-10V24	–	–	–	–
	G1/2	542562	MS6-DE-1/2-10V24	529799	MS6-DE-1/2-V110 <sup>1)</sup>	529801	MS6-DE-1/2-V230 <sup>1)</sup>

1) Free of copper and PTFE

# Soft-start valves MS4/MS6-DE, MS series

Ordering data – Modular products

Mandatory data					
Module No.	Series	Size	Function	Pneumatic connection	Supply voltage
527713 527686	MS	4 6	DE	1/8, 1/4, 3/8, 1/2, AG..., AQ...	V24, 10V24, 10V24P, V110, V230
<b>Order example</b>					
<b>527713</b>	<b>MS</b>	<b>4</b>	<b>- DE</b>	<b>- AGA</b>	<b>- V110</b>

Ordering table							
Grid dimension	[mm]	40	62	Conditions	Code	Enter code	
M	Module No.	<b>527713</b>		<b>527686</b>			
	Series	Standard			<b>MS</b>	MS	
	Size	4	6		...		
	Function	Soft-start valve, electrical			<b>-DE</b>	-DE	
	Pneumatic connection	Female thread G1/8	–	1	-1/8		
		Female thread G1/4	Female thread G1/4	1	-1/4		
		–	Female thread G3/8	1	-3/8		
		–	Female thread G1/2	1	-1/2		
		Connecting plate G1/8	–			<b>-AGA</b>	
		Connecting plate G1/4	Connecting plate G1/4			<b>-AGB</b>	
		Connecting plate G3/8	Connecting plate G3/8			<b>-AGC</b>	
		–	Connecting plate G1/2			<b>-AGD</b>	
		–	Connecting plate G3/4			<b>-AGE</b>	
		Connecting plate NPT1/8	–	1		<b>-AQK</b>	
		Connecting plate NPT1/4	Connecting plate NPT1/4	1		<b>-AQN</b>	
		Connecting plate NPT3/8	Connecting plate NPT3/8	1		<b>-AQP</b>	
		–	Connecting plate NPT1/2	1		<b>-AQR</b>	
		–	Connecting plate NPT3/4	1		<b>-AQS</b>	
	Supply voltage	24 V DC (pin allocation to EN 175301) 4 ... 14 bar   4 ... 18 bar			<b>-V24</b>		
		24 V DC (pin allocation to EN 175301) 4 ... 10 bar   4 ... 10 bar		1 2	<b>-10V24</b>		
		24 V DC, M12 to IEC 61076-2-101 4 ... 10 bar   4 ... 10 bar		1 2	<b>-10V24P</b>		
		110 V AC (pin allocation to EN 175301) 4 ... 14 bar   4 ... 18 bar		1	<b>-V110</b>		
		230 V AC (pin allocation to EN 175301) 4 ... 14 bar   4 ... 18 bar		1	<b>-V230</b>		
		4 ... 14 bar   4 ... 18 bar					

1 1/8, 1/4, 3/8, 1/2, AQK, AQN, AQP, AQR, AQS, 10V24, 10V24P, V110, V230, AD1 ... AD4, AD7 ... AD10, WPM  
Not with EU certification EX2

2 10V24, 10V24P  
Max. operating pressure 10 bar

Transfer order code

	<b>MS</b>		<b>- DE</b>		
--	-----------	--	-------------	--	--

# Soft-start valves MS4/MS6-DE, MS series

Ordering data – Modular products

Options					
Pressure gauge/ pressure gauge alternatives	Alternative pressure gauge scale	Type of mounting	EU certification	UL certification	Flow direction
AG, A8, A4, RG, AD1 ... AD4, AD7 ... AD10	PSI, MPA	WP, WPM, WB, WBM	EX2	UL1	Z
- AG	- PSI	- WP	-	-	- Z

Ordering table						
Grid dimension	[mm]	40	62	Condi- tions	Code	Enter code
0 Pressure gauge/pressure gauge alternatives	MS pressure gauge, bar				-AG	
	Adapter plate for EN pressure gauge 1/8, without pressure gauge	-			-A8	
	Adapter plate for EN pressure gauge 1/4, without pressure gauge				-A4	
	Integrated pressure gauge, red-green scale				-RG	
	Pressure sensor with LCD display, plug M8, 1 switching output PNP, 3-pin			1 3	-AD1	
	Pressure sensor with LCD display, plug M8, 1 switching output NPN, 3-pin			1 3	-AD2	
	Pressure sensor with LCD display, plug M12, 1 switching output PNP, 4-pin, analogue output 4 ... 20 mA			1 3	-AD3	
	Pressure sensor with LCD display, plug M12, 1 switching output NPN, 4-pin, analogue output 4 ... 20 mA			1 3	-AD4	
	Pressure sensor with operational status indicator, plug M8, threshold value comparator, PNP, N/O contact			1 3	-AD7	
	Pressure sensor with operational status indicator, plug M8, threshold value comparator, PNP, N/C contact			1 3	-AD8	
	Pressure sensor with operational status indicator, plug M8, window comparator, PNP, N/O contact			1 3	-AD9	
	Pressure sensor with operational status indicator, plug M8, window comparator, PNP, N/C contact			1 3	-AD10	
	Alternative pressure gauge scale	psi			4	
MPa				5	-MPA	
Type of mounting	Mounting bracket standard design			6	-WP	
	Mounting bracket for attaching the service units			1 6	-WPM	
	Mounting bracket centrally at rear (wall mounting top and bottom), connecting plates not required				-WB	
	Mounting bracket centrally at rear (wall mounting top), connecting plates not required	-			-WBM	
EU certification	II 3GD to EU Directive 94/9/EG				-EX2	
UL certification	cULus, ordinary location for Canada and USA		7		-UL1	
Flow direction	Flow direction from right to left				-Z	

3 AD1 ... AD4, AD7 ... AD10  
Measuring range max. 10 bar

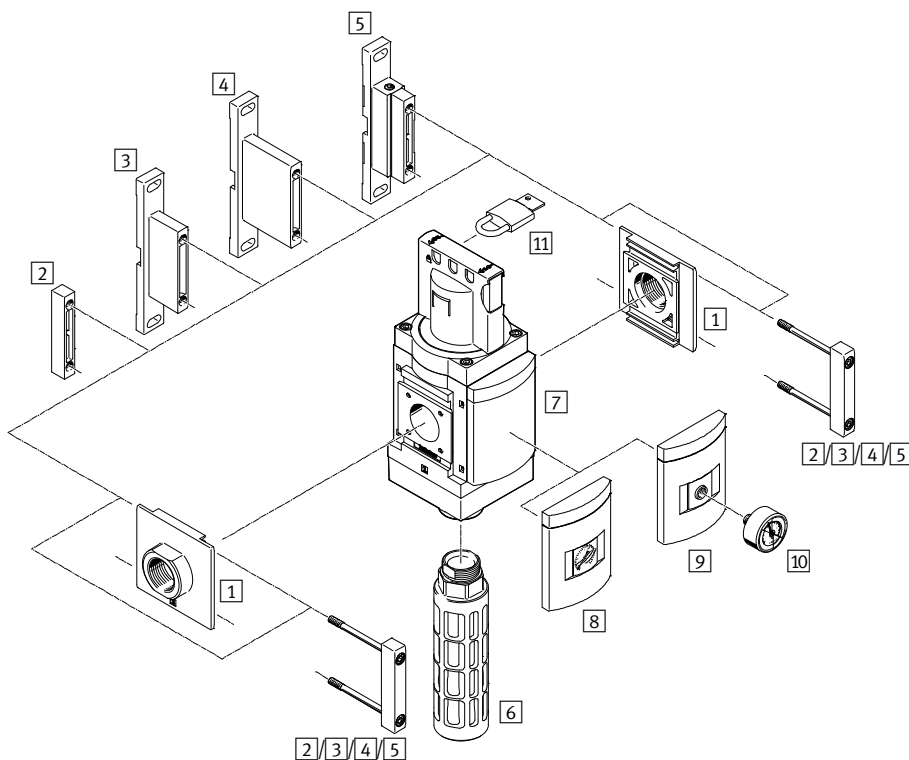
4 PSI Only in combination with pressure gauge AG  
5 MPA Only in combination with pressure gauge AG or RG  
6 WP, WPM Only with connecting plate AGA, AGB, AGC, AGD, AGE, AQK, AQN, AQP, AQR or AQS  
7 UL1 Not with supply voltage V110, V230


Transfer order code

- [ ] - [ ] - [ ] - [ ] - [ ] - [ ]

# On-off valves MS9-EM, MS series

Peripherals overview



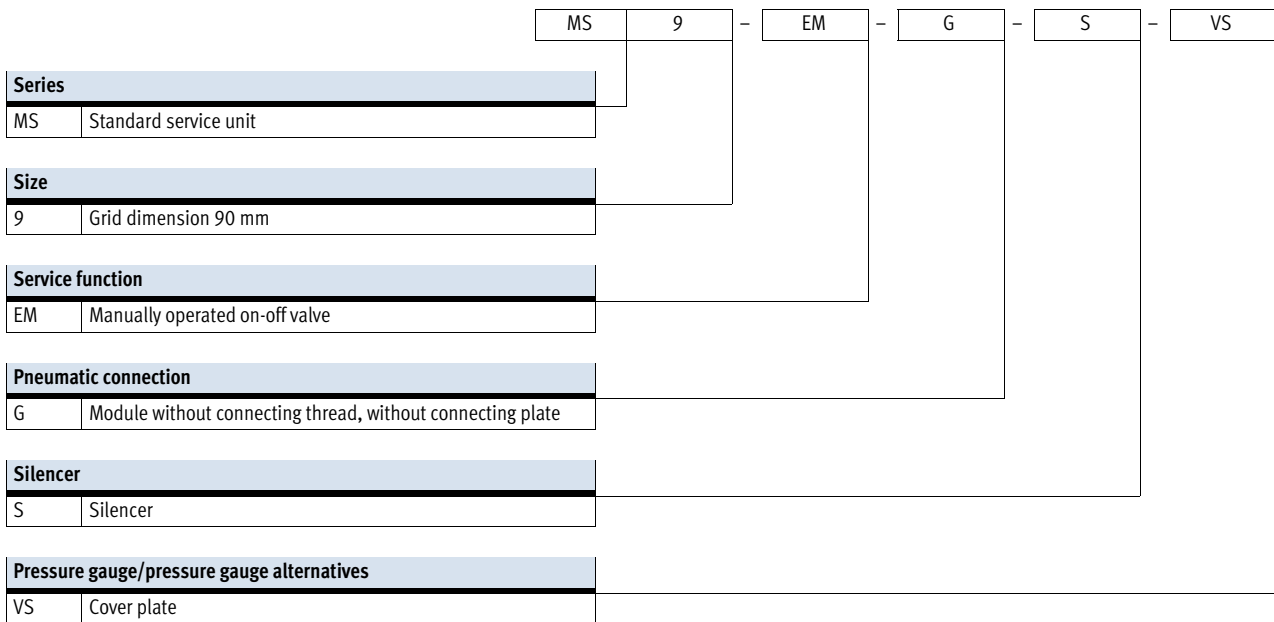
 Note  
 Additional accessories:  
 – Module connector for combinations with size MS6, MS9 or size MS12  
 → Internet: rmv, armv

Mounting attachments and accessories						
	Individual component	Combination			→ Page/ Internet	
		With female thread 3/4 or 1	With connecting plate AG...			Module without connect- ing thread, without connecting plate G
			Without EU certification EX4	With EU certification EX4		
1	Connecting plate-SET MS9-AG...	-	■	■	■	ms9-ag
2	Module connector MS9-MV	-	-	-	■	ms9-mv
3	Mounting bracket MS9-WP	■	■	■	■ <sup>1)</sup>	ms9-wp
4	Mounting bracket MS9-WPB	■	■	■	■ <sup>1)</sup>	ms9-wp
5	Mounting bracket MS9-WPM	■	■	-	■	ms9-wp
6	Silencer U	■	■	■	■	95
7	Cover plate VS	■	■	■	■	58
8	MS pressure gauge AG/RG	■	■	■	■	58
9	Adapter plate for EN pressure gauge 1/4 A4	■	■	■	■	58
10	Pressure gauge MA	■	■	■	■	95
11	Padlock LRVS-D	■	■	■	■	95

1) The screws for the wall bracket on the reverse side are partially covered by the housing of this service unit. Depending on the configuration of the service unit combination, the screws will no longer be accessible. The mounting bracket MS9-WPM is therefore recommended for wall mounting. It can be used to attach a fully assembled combination to the pre-mounted wall bracket.

# On-off valves MS9-EM, MS series

Type codes



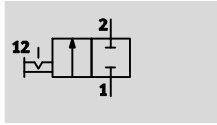
**Additional variants can be ordered using the modular system → 58**

- Pneumatic connection
- Silencer
- Pressure gauge/pressure gauge alternatives
- Alternative pressure gauge scale
- Valve function
- Type of mounting
- EU certification
- UL certification
- Flow direction

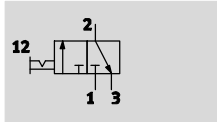
# On-off valves MS9-EM, MS series

## Technical data

2/2-way valve, double solenoid



3/2-way valve, double solenoid



- Flow rate  
8,000 ... 18,000 l/min
- Temperature range  
-10 ... +60 °C
- Operating pressure  
0 ... 20 bar



- Manually operated on-off valve for pressurising and venting pneumatic installations
- Ducted exhaust possible via a threaded connection with silencer
- The switching position is immediately recognisable
- Actuator secured by locking the rotary knob
- Commercially available padlock can be used for security
- Optional pressure gauge
- Optional device variant EX4 for use in potentially explosive areas in zones 1, 2, 21 and 22

General technical data	
Pneumatic connection 1, 2	
Female thread	G3/4 or G1
Connecting plate AG...	G1/2, G3/4, G1, G1 1/4 or G1 1/2
Module without connecting thread/plate G	-
Pneumatic connection 3	G1
Design	Piston spool valve
Type of mounting	Via accessories In-line installation
Mounting position	Any
Regulator lock	Rotary knob with detent
Pressure display	Via pressure gauge for displaying output pressure Via pressure gauge with red/green scale for displaying output pressure G1/4 prepared
Valve function	2/2-way valve, double solenoid 3/2-way valve, double solenoid
Exhaust air function	No flow control
Reset method	Forced
Type of control	Direct
Sealing principle	Soft

Note: This product conforms to ISO 1179-1 and to ISO 228-1

Flow rate characteristic values								
Pneumatic connection	Female thread		Connecting plate					None
	G3/4	G1	AGD	AGE	AGF	AGG	AGH	G
Standard nominal flow rate $q_{nN^{(1)}}$ [l/min]								
In main flow direction 1 → 2	14,500	18,000	8,000	14,000	18,000	18,000	18,000	18,000
In relief direction 2 → 3	14,900	14,100	16,500	14,400	13,800	13,200	13,200	14,100
C value [l/s*min]								
In main flow direction 1 → 2	59.59	76.90	32.75	57.50	75.65	75.51	75.17	-
In relief direction 2 → 3	55.11	53.54	56.22	54.07	52.73	51.06	51.36	-
b value								
In main flow direction 1 → 2	0.41	0.37	0.45	0.39	0.38	0.39	0.38	-
In relief direction 2 → 3	0.50	0.48	0.60	0.49	0.47	0.45	0.44	-

1) Measured at p1 = 6 bar and p2 = 5 bar, Δp = 1 bar

# On-off valves MS9-EM, MS series

Technical data

Operating and environmental conditions	
Operating pressure [bar]	0 ... 20
Operating medium	Compressed air in accordance with ISO 8573-1:2010 [7:4:4]
Note on operating/pilot medium	Operation with lubricated medium possible (in which case lubricated operation will always be required)
Ambient temperature [°C]	-10 ... +60
Temperature of medium [°C]	-10 ... +60
Corrosion resistance class CRC <sup>1)</sup>	2
Noise level [dB (A)]	93 <sup>2)</sup> with silencer
Certification (variant UL1)	cULus recognized (OL)

1) Corrosion resistance class CRC 2 to Festo standard FN 940070

Moderate corrosion stress. Indoor applications in which condensation may occur. External visible parts with primarily decorative requirements for the surface and which are in direct contact with the ambient atmosphere typical for industrial applications.

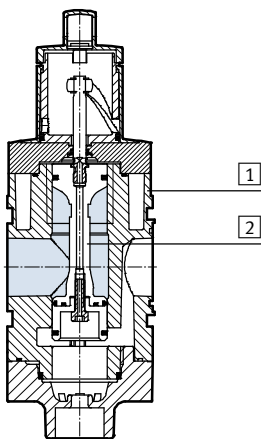
2) Venting at 10 bar at a distance of 1 m.

ATEX	
EU certification	EX4
ATEX category gas	II 2G
Ex-ignition protection type gas	c T6 X
ATEX category dust	II 2D
EX-ignition protection type dust	c 60 °C X
ATEX ambient temperature	-10 °C ≤ Ta ≤ +60 °C
CE mark (see declaration of conformity)	To EU Explosion Protection Directive (ATEX)

Weight [g]	
On-off valve	2,200
On-off valve with silencer S	2,400

## Materials

Sectional view



On-off valve		
1	Housing	Die-cast aluminium
2	Piston spool	POM
-	Seals	NBR
Note on materials		RoHS-compliant

# On-off valves MS9-EM, MS series

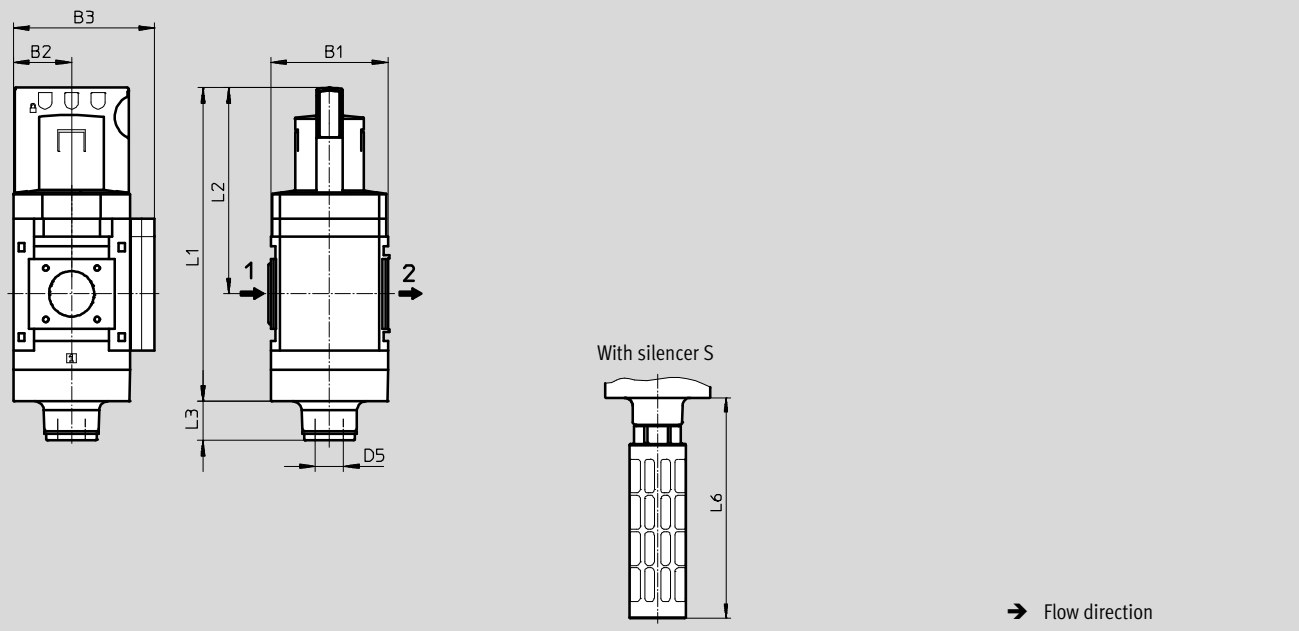
Technical data

**FESTO**

## Dimensions – Basic version

Download CAD data → [www.festo.com](http://www.festo.com)

Module without connecting thread, without connecting plate G, with cover plate VS



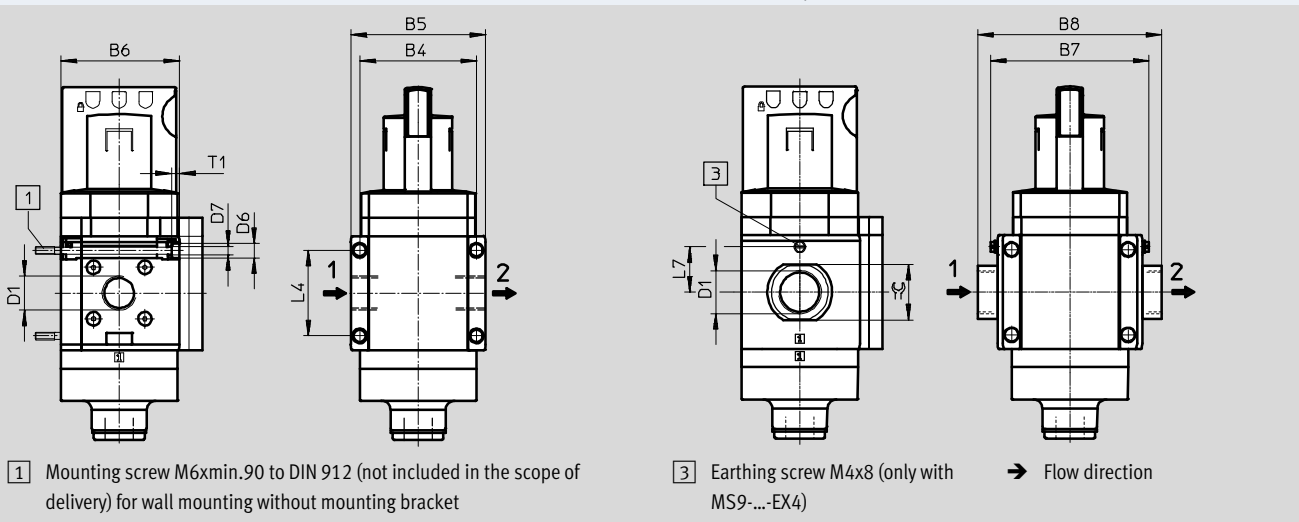
Type	B1	B2	B3	D5	L1	L2	L3		L6
							2/2-way valve	3/2-way valve	
MS9-EM-G	90	45	109	G1	242	159	30	23	189

## Dimensions – Connecting thread/connecting plate

Download CAD data → [www.festo.com](http://www.festo.com)

With female thread 3/4 or 1

With connecting plate AG...



1 Mounting screw M6xmin.90 to DIN 912 (not included in the scope of delivery) for wall mounting without mounting bracket

3 Earthing screw M4x8 (only with MS9-...-EX4)

Type	B4	B5	B6	B7		B8	D1	D6	D7	L4	L7	T1	☞
					EX4						EX4		
MS9-EM-3/4	90	104	91.5	-	-	-	G3/4	11	6.5	66	-	6	-
MS9-EM-1							G1						
MS9-EM-AGD	-	-	-	112	122	132	G1/2	-	-	-	35	-	30
MS9-EM-AGE						132	G3/4						36
MS9-EM-AGF						142	G1						41
MS9-EM-AGG						162	G1 1/4						50
MS9-EM-AGH						176	G1 1/2						55

• Note: This product conforms to ISO 1179-1 and to ISO 228-1



# On-off valves MS9-EM, MS series

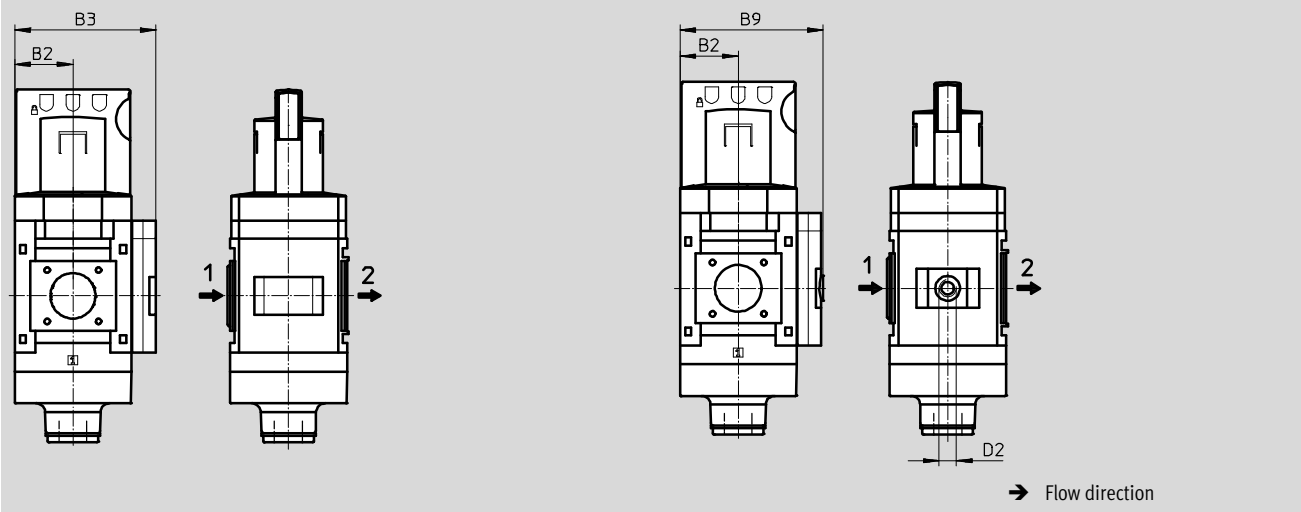
Technical data

## Dimensions – Pressure gauge/pressure gauge alternatives

Download CAD data → [www.festo.com](http://www.festo.com)

Integrated MS pressure gauge with standard scale AG or red/green scale RG

Adapter plate A4 for EN pressure gauge 1/4, without pressure gauge



Type	B2	B3	B9	D2
MS9-EM-...-AG/RG	45	109	-	-
MS9-EM-...-A4		-	110	G1/4

• Note: This product conforms to ISO 1179-1 and to ISO 228-1

## Ordering data

3/2-way valve, with silencer

Size	Connection	Part No.	Type
MS9	-	562952	MS9-EM-G-S-VS

# On-off valves MS9-EM, MS series

Ordering data – Modular products

**M** Mandatory data →

Module No.	Series	Size	Function	Pneumatic connection
562178	MS	9	EM	¾, 1, AG..., G
<b>Ordering example</b>				
<b>562178</b>	<b>MS</b>	<b>9</b>	<b>- EM</b>	<b>- G</b>

**Ordering table**

Grid dimension	[mm]	90	Condi- tions	Code	Enter code
<b>M</b> Module No.	<b>562178</b>				
Series	Standard			<b>MS</b>	MS
Size	9			<b>9</b>	9
Function	Manual on-off valve			<b>-EM</b>	-EM
Pneumatic connection	Female thread G¾		<input type="checkbox"/>	<b>-¾</b>	
	Female thread G1		<input type="checkbox"/>	<b>-1</b>	
	Connecting plate G½			<b>-AGD</b>	
	Connecting plate G¾			<b>-AGE</b>	
	Connecting plate G1			<b>-AGF</b>	
	Connecting plate G1¼			<b>-AGG</b>	
	Connecting plate G1½			<b>-AGH</b>	
	Module without connecting thread, without connecting plate		<input type="checkbox"/>	<b>-G</b>	

¾, 1, G, WPM Not with EU certification EX4

Transfer order code

- 
 -

# On-off valves MS9-EM, MS series

Ordering data – Modular products

→ <input type="checkbox"/> Options		<input type="checkbox"/> M		<input type="checkbox"/> Options			
Silencer	Pressure gauge/ pressure gauge alternatives	Alternative pressure gauge scale	Valve function	Type of mounting	EU certification	UL certification	Flow direction
S	AG, VS, A4, RG	PSI, MPA, BAR	-, 2	WP, WPM, WPB	EX4	UL1	Z
- S	- AG	- BAR	-	-	-	-	-

Ordering table		Grid dimension [mm]	90	Condi- tions	Code	Enter code
<input type="checkbox"/> Silencer	Silencer				-S	
<input type="checkbox"/> M Pressure gauge/pressure gauge alternatives	MS pressure gauge, bar				-AG	
	Cover plate				-VS	
	Adapter plate for EN pressure gauge 1/4, without pressure gauge				-A4	
	Integrated pressure gauge, red/green scale		2		-RG	
<input type="checkbox"/> Alternative pressure gauge scale	psi		3		-PSI	
	MPa		3		-MPA	
	bar		3		-BAR	
Valve function	Standard (3/2-way valve)				-	
	2/2-way valve		4		-2	
Type of mounting	Mounting bracket standard design		5		-WP	
	Mounting bracket for attaching the service units		1 5		-WPM	
	Mounting bracket for large wall gap		5		-WPB	
EU certification	II 2GD to EU Directive 94/9/EG				-EX4	
UL certification	cULus, ordinary location for Canada and USA				-UL1	
Flow direction	Flow direction from right to left				-Z	

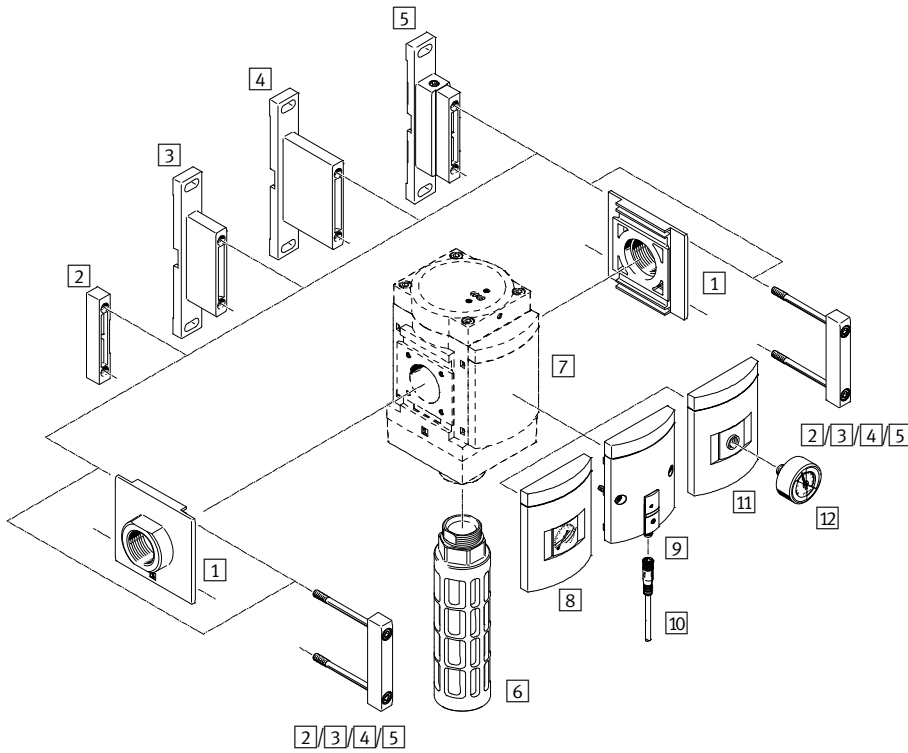
- 1 3/4, 1, G, WPM Not with EU certification EX4
- 2 RG Not with alternative pressure gauge scale PSI  
PSI scale serves only as an auxiliary scale
- 3 PSI, MPA, BAR Not with pressure gauge/pressure gauge alternatives VS, A4
- 4 2 Not with silencer S
- 5 WP, WPM, WPB Not with pneumatic connection G


Transfer order code

-  -  -  -  -  -  -  -

# On-off valves MS9-EE, MS series

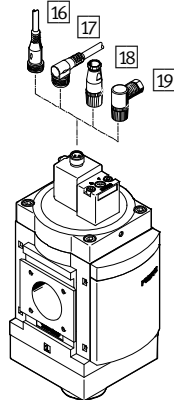
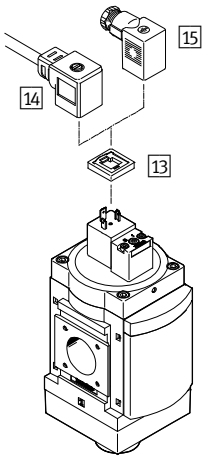
Peripherals overview



-  - Note  
 Additional accessories:  
 - Module connector for combinations with size MS6, MS9 or size MS12  
 → Internet: rmv, armv

Supply voltage  
 V24/V110/V230

Supply voltage  
 V24P



# On-off valves MS9-EE, MS series

Peripherals overview

FESTO

Mounting attachments and accessories					
		Individual component		Combination	→ Page/ Internet
		With female thread ¾ or 1	With connecting plate AG...		
			Without EU certification EX2	With EU certification EX2	
1	Connecting plate-SET MS9-AG...	-	■	■	ms9-ag
2	Module connector MS9-MV	-	-	-	ms9-mv
3	Mounting bracket MS9-WP	■	■	■ <sup>1)</sup>	ms9-wp
4	Mounting bracket MS9-WPB	■	■	■ <sup>1)</sup>	ms9-wp
5	Mounting bracket MS9-WPM	■	■	-	ms9-wp
6	Silencer U	■	■	■	95
7	Cover plate VS	■	■	■	68
8	MS pressure gauge AG/RG	■	■	■	68
9	Pressure sensor without display AD7	■	■	■	68
10	Connecting cable NEBU-M8...-LE3	■	■	■	95
11	Adapter plate for EN pressure gauge ¼ A4	■	■	■	68
12	Pressure gauge MA	■	■	■	95
13	Illuminating seal MC-LD	■	■	-	94
14	Connecting cable KMC	■	■	-	94
15	Plug socket MSSD-C	■	■	■ Included in scope of delivery	94
16	Connecting cable NEBU-M12G5	■	■	-	95
17	Connecting cable NEBU-M12W5	■	■	-	95
18	Sensor socket SIE-GD	■	■	-	95
19	Angled plug socket SIE-WD	■	■	-	95

1) The screws for the wall bracket on the reverse side are partially covered by the housing of this service unit. Depending on the configuration of the service unit combination, the screws will no longer be accessible. The mounting bracket MS9-WPM is therefore recommended for wall mounting. It can be used to attach a fully assembled combination to the pre-mounted wall bracket.

# On-off valves MS9-EE, MS series

Type codes

MS 9 - EE - G - V24 - S - VS

Series	
MS	Standard service unit
Size	
9	Grid dimension 90 mm
Service function	
EE	Solenoid actuated on-off valve
Pneumatic connection	
G	Module without connecting thread, without connecting plate
Supply voltage	
V24	Supply voltage 24 V DC
Silencer	
S	Silencer
Pressure gauge/pressure gauge alternatives	
VS	Cover plate

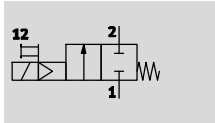
**Additional variants can be ordered using the modular system → 68**

- Pneumatic connection
- Supply voltage
- Silencer
- Pressure gauge/pressure gauge alternatives
- Alternative pressure gauge scale
- Valve function
- Type of mounting
- EU certification
- UL certification
- Flow direction

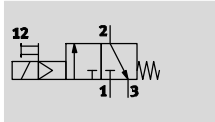
# On-off valves MS9-EE, MS series

## Technical data

2/2-way valve, single solenoid, closed



3/2-way valve, single solenoid, closed



- - Flow rate  
8,000 ... 18,000 l/min
- - Temperature range  
-10 ... +60 °C
- - Operating pressure  
3.5 ... 16 bar



- Solenoid actuated on-off valve for pressurising and venting pneumatic installations
- Ducted exhaust possible via a threaded connection with silencer
- With solenoid coil without plug socket
- 3 voltage ranges can be selected
- Non-detenting or detenting manual override
- Optional pressure gauge
- Optional device variant EX2 for use in potentially explosive areas in zones 2 and 22 (plug socket MSSD-C-24V-EX is included in the scope of delivery)

General technical data	
Pneumatic connection 1, 2	
Female thread	G3/4 or G1
Connecting plate AG...	G1/2, G3/4, G1, G1 1/4 or G1 1/2
Module without connecting thread/plate G	—
Pneumatic connection 3	G1
Design	Piston spool valve
Type of mounting	Via accessories In-line installation
Mounting position	Any
Pressure display	Via pressure sensor for displaying output pressure via operational status indicator and electrical output Via pressure gauge for displaying output pressure Via pressure gauge with red/green scale for displaying output pressure G1/4 prepared
Valve function	2/2-way valve, single solenoid, closed 3/2-way valve, single solenoid, closed
Exhaust air function	No flow control
Reset method	Mechanical spring
Type of control	Piloted
Pilot air supply	Internal
Sealing principle	Soft

- || - Note: This product conforms to ISO 1179-1 and to ISO 228-1

Electrical data		
Coil characteristics	V24/V24P	24 V DC: 4.5 W; perm. voltage fluctuations ±10%
	V110	110 V AC: 50 Hz; pick-up power 11.5 W; holding power 8.9 W; perm. voltage fluctuations ±10% 110 V AC: 60 Hz; pick-up power 9.5 W; holding power 6.2 W; perm. voltage fluctuations ±10%
	V230	230 V AC: 50 Hz; pick-up power 11.5 W; holding power 9.1 W; perm. voltage fluctuations ±10%
		230 V AC: 60 Hz; pick-up power 9.5 W; holding power 6.4 W; perm. voltage fluctuations ±10%
Electrical connection	V24/V110/V230	Plug socket, square design to EN 175301-803, type A
	V24P	Plug M12, 4-pin to DESINA
Protection class for solenoid coil		IP65
Duty cycle	[%]	100

# On-off valves MS9-EE, MS series

FESTO

Technical data

Flow rate characteristic values								
Pneumatic connection	Female thread		Connecting plate					None
	G $\frac{3}{4}$	G1	AGD	AGE	AGF	AGG	AGH	G
Standard nominal flow rate $q_{nN}^{1)}$ [l/min]								
In main flow direction 1 $\rightarrow$ 2	14,500	18,000	8,000	14,000	18,000	18,000	18,000	18,000
In relief direction 2 $\rightarrow$ 3	14,900	14,100	16,500	14,400	13,800	13,200	13,200	14,100
C value [l/s*min]								
In main flow direction 1 $\rightarrow$ 2	59.59	76.90	32.75	57.50	75.65	75.51	75.17	-
In relief direction 2 $\rightarrow$ 3	55.11	53.54	56.22	54.07	52.73	51.06	51.36	-
b value								
In main flow direction 1 $\rightarrow$ 2	0.41	0.37	0.45	0.39	0.38	0.39	0.38	-
In relief direction 2 $\rightarrow$ 3	0.50	0.48	0.60	0.49	0.47	0.45	0.44	-

1) Measured at  $p_1 = 6$  bar and  $p_2 = 5$  bar,  $\Delta p = 1$  bar

Operating and environmental conditions	
Operating pressure [bar]	3.5 ... 16
Operating medium	Compressed air in accordance with ISO 8573-1:2010 [7:4:4]
Note on operating/pilot medium	Operation with lubricated medium possible (in which case lubricated operation will always be required)
Ambient temperature [°C]	-10 ... +60
Temperature of medium [°C]	-10 ... +60
Corrosion resistance class CRC <sup>1)</sup>	2
Noise level [dB (A)]	93 <sup>2)</sup> with silencer
Certification (variant UL1)	cULus recognized (OL)

1) Corrosion resistance class CRC 2 to Festo standard FN 940070

Moderate corrosion stress. Indoor applications in which condensation may occur. External visible parts with primarily decorative requirements for the surface and which are in direct contact with the ambient atmosphere typical for industrial applications.

2) Venting at 10 bar at a distance of 1 m.

ATEX	
EU certification	EX2
ATEX category gas	II 3G
Ex-ignition protection type gas	Ex nA IIC T5 X Gc
ATEX category dust	II 3D
EX-ignition protection type dust	Ex tc IIIC T85°C X Dc IP65
ATEX ambient temperature	-10 °C $\leq$ Ta $\leq$ +50 °C
CE mark (see declaration of conformity)	To EU Explosion Protection Directive (ATEX)

Weight [g]	
On-off valve	2,100
On-off valve with silencer S	2,300

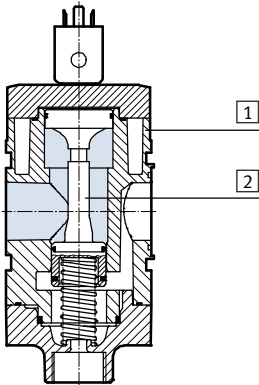


# On-off valves MS9-EE, MS series

Technical data

## Materials

Sectional view



On-off valve		
1	Housing	Die-cast aluminium
2	Piston spool	POM
-	Seals	NBR
Note on materials		RoHS-compliant

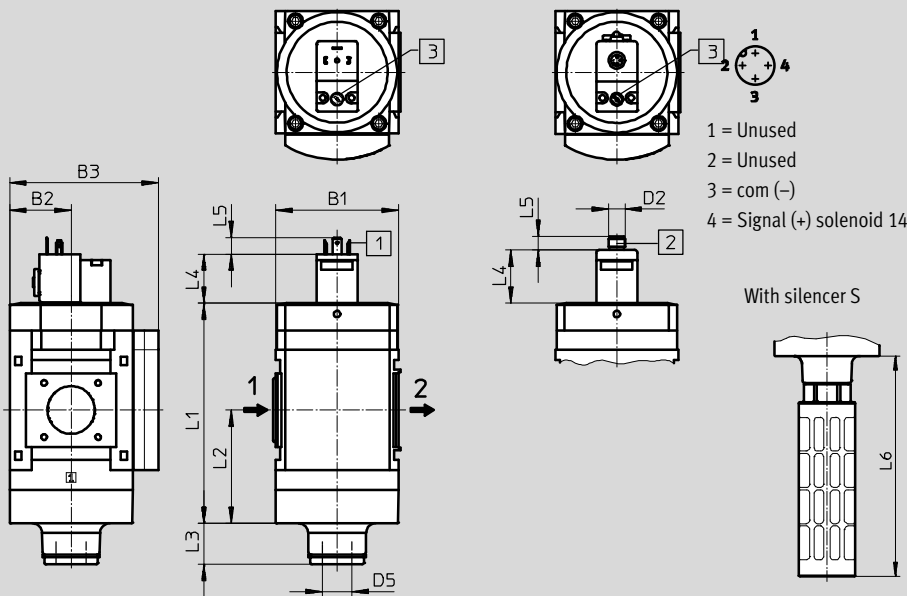
## Dimensions – Basic version

Download CAD data → [www.festo.com](http://www.festo.com)

Module without connecting thread, without connecting plate G, with cover plate VS

Supply voltage V24/V110/V230

Supply voltage V24P



- 1 Plug connection to EN 175301-803
  - 2 Plug connection M12, 4-pin to DESINA for connecting cable NEBU-M12
  - 3 Manual override
- Flow direction

Type	B1	B2	B3	D2	D5	L1	L2	L3		L4	L5	L6
								2/2-way valve	3/2-way valve			
MS9-EE-G-V24/V110/V230	90	45	109	-	G1	161	83	30	23	36	12	189
MS9-EE-G-V24P				M12x1						39	10	

# On-off valves MS9-EE, MS series

Technical data

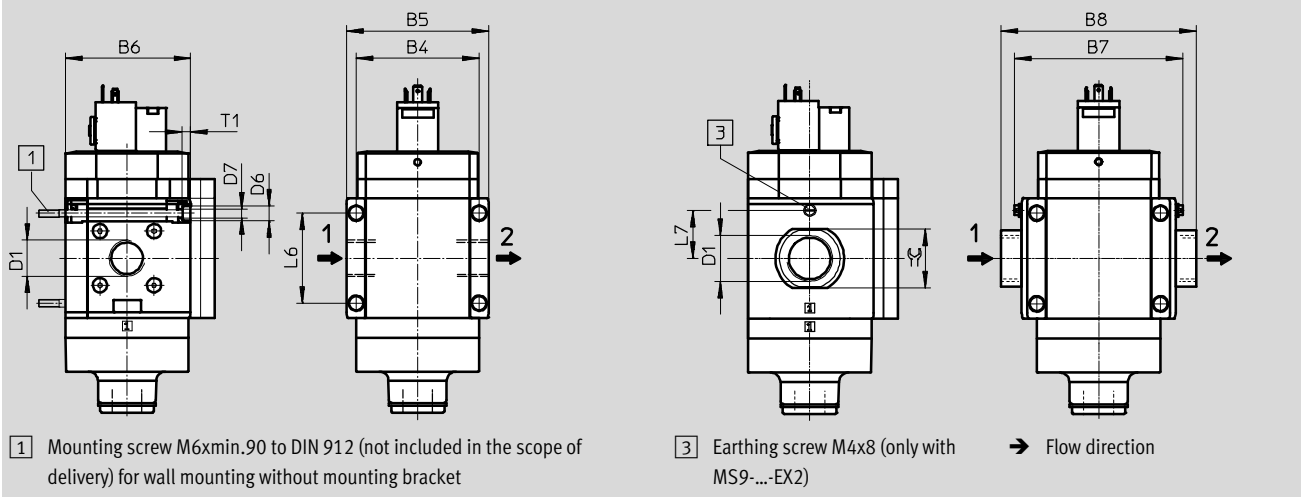
FESTO

## Dimensions – Connecting thread/connecting plate

Download CAD data → [www.festo.com](http://www.festo.com)

With female thread 3/4 or 1

With connecting plate AG...



Type	B4	B5	B6	B7		B8	D1	D6	D7	L6	L7	T1	⊕
					EX2						EX2		
MS9-EE-3/4	90	104	91.5	-	-	-	G3/4	11	6.5	66	-	6	-
MS9-EE-1							G1						
MS9-EE-AGD	-	-	-	112	122	132	G1/2	-	-	-	35	-	30
MS9-EE-AGE						132	G3/4						36
MS9-EE-AGF						142	G1						41
MS9-EE-AGG						162	G1 1/4						50
MS9-EE-AGH						176	G1 1/2						55

• Note: This product conforms to ISO 1179-1 and to ISO 228-1

# On-off valves MS9-EE, MS series

Technical data

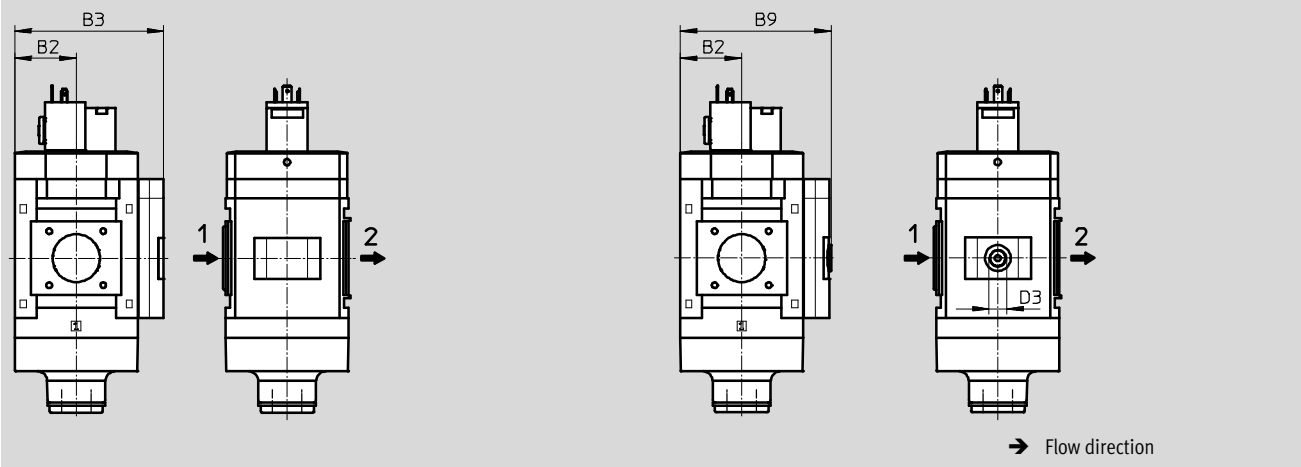
FESTO

## Dimensions – Pressure gauge/pressure gauge alternatives

Download CAD data → [www.festo.com](http://www.festo.com)

Integrated MS pressure gauge with standard scale AG or red/green scale RG

Adapter plate A4 for EN pressure gauge 1/4, without pressure gauge



Type	B2	B3	B9	D3
MS9-EE-...-AG/RG	45	109	-	-
MS9-EE-...-A4		-	110	G1/4

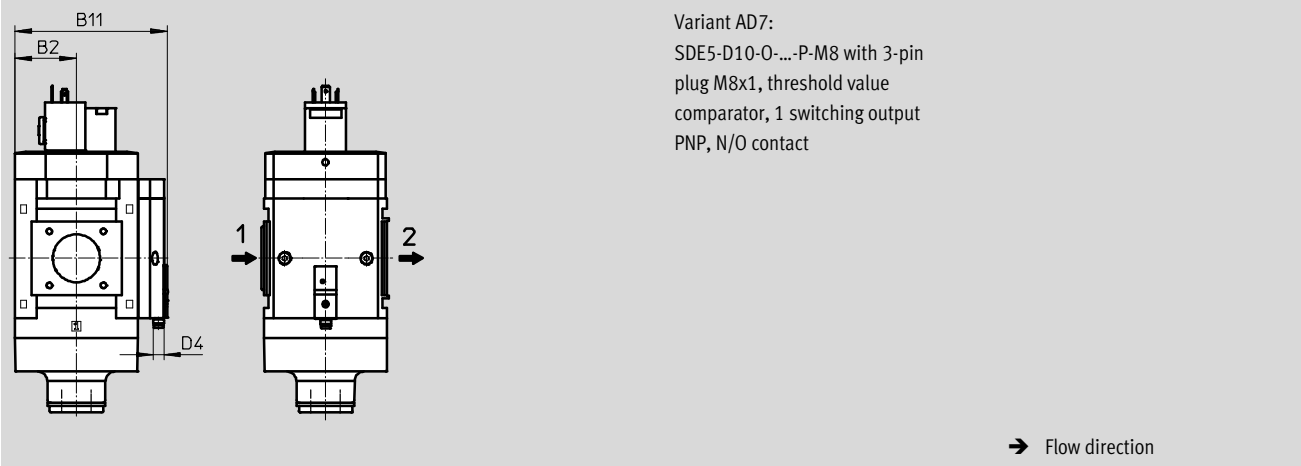
– | – Note: This product conforms to ISO 1179-1 and to ISO 228-1

## Dimensions – Pressure gauge/pressure gauge alternatives

Download CAD data → [www.festo.com](http://www.festo.com)

Pressure sensor with operational status indicator AD7

Variant AD7:  
SDE5-D10-O-...-P-M8 with 3-pin  
plug M8x1, threshold value  
comparator, 1 switching output  
PNP, N/O contact



Type	B2	B11	D4
MS9-EE-...-AD7	45	112	M8x1

## Ordering data

3/2-way valve, with silencer, supply voltage 24 V DC

Size	Connection	Part No.	Type
MS9	-	562940	MS9-EE-G-V24-S-VS

# On-off valves MS9-EE, MS series



Ordering data – Modular products

**M** Mandatory data →

Module No.	Series	Size	Function	Pneumatic connection	Supply voltage
562177	MS	9	EE	¾, 1, AG..., G	V24, V24P, V110, V230
<b>Ordering example</b>					
<b>562177</b>	<b>MS</b>	<b>9</b>	- <b>EE</b>	- <b>1</b>	- <b>V24</b>

**Ordering table**

Grid dimension	[mm]	90	Condi- tions	Code	Enter code
<b>M</b> Module No.	<b>562177</b>				
Series	Standard			<b>MS</b>	MS
Size	9			<b>9</b>	9
Function	Electrical on-off valve			<b>-EE</b>	-EE
Pneumatic connection	Female thread G¾		1	<b>-¾</b>	
	Female thread G1		1	<b>-1</b>	
	Connecting plate G½			<b>-AGD</b>	
	Connecting plate G¾			<b>-AGE</b>	
	Connecting plate G1			<b>-AGF</b>	
	Connecting plate G1¼			<b>-AGG</b>	
	Connecting plate G1½			<b>-AGH</b>	
	Module without connecting thread, without connecting plate		1	<b>-G</b>	
Supply voltage	24 V DC (pin allocation to EN 175301), 16 bar			<b>V24</b>	
	24 V DC plug (connection pattern M12 to DESINA), 16 bar		1	<b>V24P</b>	
	110 V AC (pin allocation to EN 175301), 16 bar		1	<b>V110</b>	
	230 V AC (pin allocation to EN 175301), 16 bar		1	<b>V230</b>	

1 ¾, 1, G, V24P, V110, V230, AD7, WPM

Not with EU certification EX2

Transfer order code

562177	MS	9	- EE	-	-
--------	----	---	------	---	---

# On-off valves MS9-EE, MS series

Ordering data – Modular products

→ <input type="checkbox"/> Options		<input type="checkbox"/> M		<input type="checkbox"/> Options			
Silencer	Pressure gauge/ pressure gauge alternatives	Alternative pressure gauge scale	Valve function	Type of mounting	EU certification	UL certification	Flow direction
S	AG, VS, A4, RG, AD7	PSI, MPA, BAR	-, 2	WP, WPM, WPB	EX2	UL1	Z
- S	- AG	-	-	-	-	-	-

Ordering table		Grid dimension [mm]	90	Conditions	Code	Enter code
<input type="checkbox"/> Silencer	Silencer				-S	
<input type="checkbox"/> M Pressure gauge/pressure gauge alternatives	MS pressure gauge				-AG	
	Cover plate				-VS	
	Adapter plate for EN pressure gauge 1/4, without pressure gauge				-A4	
	Integrated pressure gauge, red/green scale			2	-RG	
	Pressure sensor with operational status indicator, plug M8, threshold value comparator, PNP, N/O contact				1 3	-AD7
<input type="checkbox"/> Alternative pressure gauge scale	psi			4	-PSI	
	MPa			4	-MPA	
	bar			4	-BAR	
Valve function	Standard (3/2-way valve)				-	
	2/2-way valve			5	-2	
Type of mounting	Mounting bracket standard design			6	-WP	
	Mounting bracket for attaching the service units			1 6	-WPM	
	Mounting bracket for large wall gap			6	-WPB	
EU certification	II 3GD to EU Directive 94/9/EG				-EX2	
UL certification	cULus, ordinary location for Canada and USA			7	-UL1	
Flow direction	Flow direction from right to left				-Z	

- 1 3/4, 1, G, V24P, V110, V230, AD7, WPM  
Not with EU certification EX2
- 2 RG  
Not with alternative pressure gauge scale PSI  
PSI scale serves only as an auxiliary scale
- 3 AD7  
Measuring range max. 10 bar
- 4 PSI, MPA, BAR  
Not with pressure gauge/pressure gauge alternatives VS, A4, AD7
- 5 2  
Not with silencer S
- 6 WP, WPM, WPB  
Not with pneumatic connection G
- 7 UL1  
Not with supply voltage V110, V230

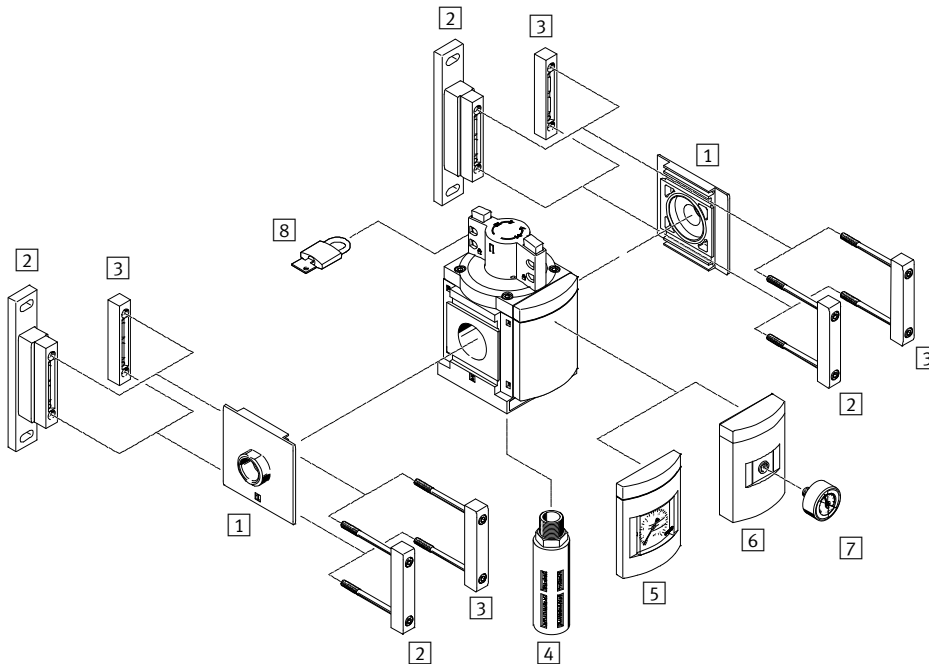
Transfer order code


-   -  -  -  -  -  -  -

# On-off valves MS12-EM, MS series

Peripherals overview

## On-off valves MS12-EM



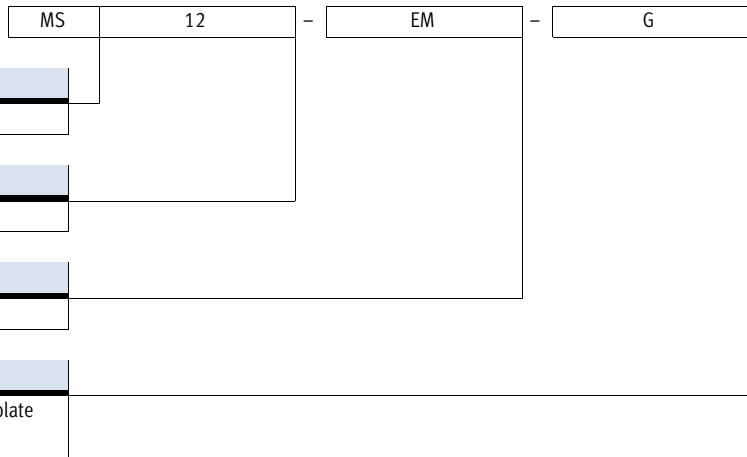
-  - Note  
 Additional accessories:  
 - Module connector for combination with size MS9 → Internet: armv

### Mounting attachments and accessories

		→ Page/Internet
1	Connecting plate-SET MS12-AG...	ms12-ag
2	Mounting bracket MS12-WP	ms12-wp
3	Module connector MS12-MV	ms12-mv
4	Silencer U	95
5	MS pressure gauge AG	75
6	Adapter for EN pressure gauge 1/4 A4	75
7	Pressure gauge MA	95
8	Padlock LRVS-D	95

# On-off valves MS12-EM, MS series

Type codes



**Further variants can be ordered using the modular system → 75**

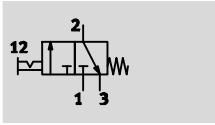
- Pneumatic connection
- Silencer
- Pressure gauge/pressure gauge alternatives
- Alternative pressure gauge scale
- Type of mounting
- Flow direction

# On-off valves MS12-EM, MS series

Technical data

FESTO

Function



- - Flow rate  
25,000 ... 32,000 l/min
- - Temperature range  
-10 ... +60 °C
- - Operating pressure  
0 ... 20 bar



- Manually operated on-off valve for pressurising and venting pneumatic installations
- Ducted exhaust possible via a threaded connection with silencer
- The switching position is immediately recognisable
- Actuator secured by locking the rotary knob
- Commercially available padlock can be used for security

General technical data	
Pneumatic connection 1, 2	
Connecting plate AG...	G1, G1¼, G1½ or G2
Module without connecting thread/plate G	–
Pneumatic connection 3	G1
Design	Piston spool valve
Type of mounting	Via accessories In-line installation
Assembly position	Any
Valve function	3/2-way valve, double solenoid
Exhaust function	Without flow control
Switching position display	Knob actuator direction = flow direction
Type of actuation	Direct
Direction of flow	Non-reversible

– | – Note: This product conforms to ISO 1179-1 and to ISO 228-1

Standard nominal flow rate $q_{nN}^{1)}$ [l/min]	
In main flow direction 1 $\rightarrow$ 2	25,000 ... 32,000
In relief direction 2 $\rightarrow$ 3	13,000

1) Measured at  $p_1 = 6$  bar and  $\Delta p = 1$  bar

Operating and environmental conditions		
Operating pressure	[bar]	0 ... 20
Operating medium		Compressed air in accordance with ISO 8573-1:2010 [–:–:–]
Ambient temperature	[°C]	-10 ... +60
Temperature of medium	[°C]	-10 ... +60
Corrosion resistance	CRC <sup>1)</sup>	2

1) Corrosion resistance class CRC 2 to Festo standard FN 940070  
Moderate corrosion stress. Indoor applications in which condensation may occur. External visible parts with primarily decorative requirements for the surface and which are in direct contact with the ambient atmosphere typical for industrial applications.



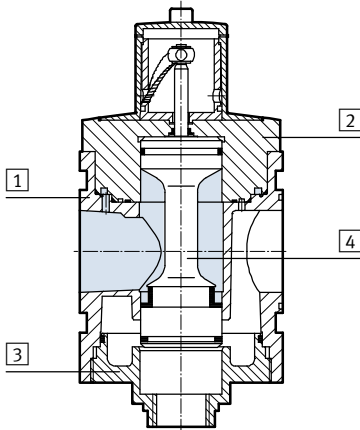
# On-off valves MS12-EM, MS series

Technical data

Weights [g]	
On-off valve	3,900
On-off valve with silencer S	4,000

## Materials

Sectional view

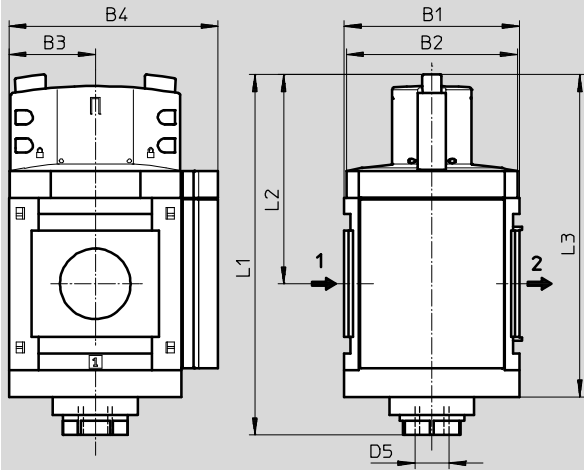


On-off valve		
1	Body	Die-cast aluminium
2	Cap, top	Aluminium
3	Cap, bottom	Aluminium
4	Valve spool	Stainless steel, POM, NBR
-	Springs	Steel
-	Covers/cover plates	PA
-	Seals	NBR
-	Connecting plate, module connector, mounting bracket	Die-cast aluminium
Note on materials		Free of copper and PTFE (not with variant AG)

## Dimensions – Basic version

Download CAD data → [www.festo.com](http://www.festo.com)

Module without connecting thread, without connecting plate G, with cover plate



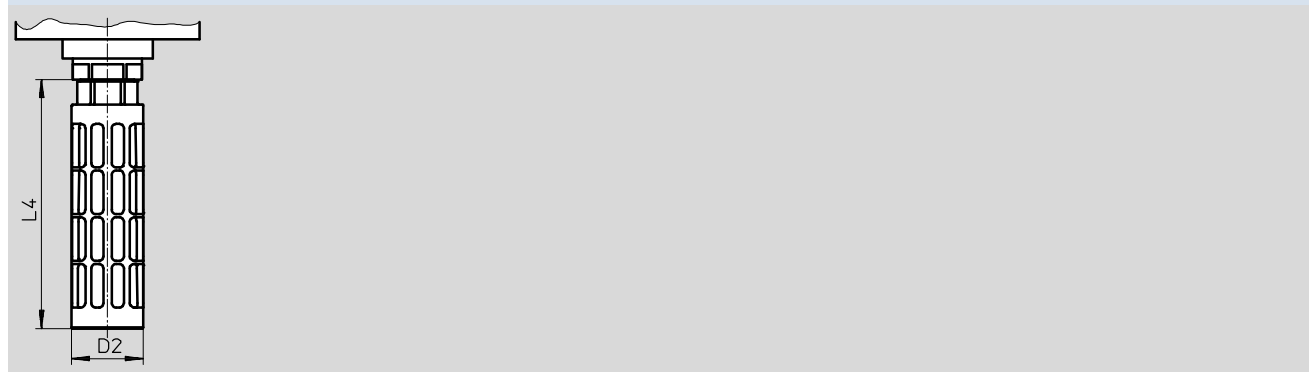
→ Flow direction

Type	B1	B2	B3	B4	L1	L2	L3	D5
MS12-EM-G	124	122	61	148	255	148	228	G1

# On-off valves MS12-EM, MS series

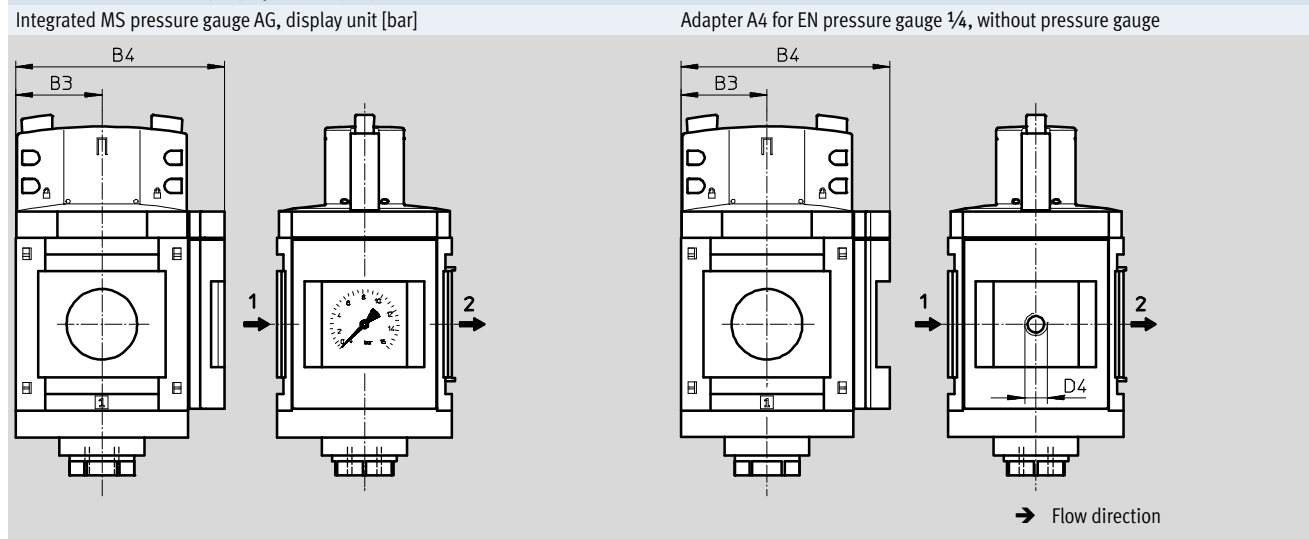
Technical data

**Dimensions – Silencer** Download CAD data → [www.festo.com](http://www.festo.com)



Type	D2 Ø	L4
MS12-EM-...-S	47.8	165.5

**Dimensions – Pressure gauge/pressure gauge alternatives** Download CAD data → [www.festo.com](http://www.festo.com)



Type	B3	B4	D4
MS12-EM-...-AG	61	148	–
MS12-EM-...-A4	61	148	G1/4

– † – Note: This product conforms to ISO 1179-1 and to ISO 228-1

**Ordering data**

Size	Connection	Part No.	Type
MS12	–	541495	MS12-EM-G <sup>1)</sup>

1) Free of copper and PTFE  
 – † – Note: This product conforms to ISO 1179-1 and to ISO 228-1

# On-off valves MS12-EM, MS series

Ordering data – Modular products

M Mandatory data					O Options					
Module No.	Series	Size	Function	Pneumatic connection	Silencer	Pressure gauge/ pressure gauge alternatives	Alternative pressure gauge scale	Type of mounting	Flow direction	
535031	MS	12	EM	AG..., G	S	AG, A4	PSI, MPA	WP	Z	
<b>Order example</b>										
<b>535031</b>	<b>MS</b>	<b>12</b>	- <b>EM</b>	- <b>G</b>	- <b>S</b>	- <b>AG</b>	- <b>PSI</b>	-	- <b>Z</b>	

Ordering table		Grid dimension [mm]	124	Conditions	Code	Enter code
M	Module No.	535031				
	Series	Standard			MS	MS
	Size	12			12	12
	Function	On-off valve, manual			-EM	-EM
	Pneumatic connection	Connecting plate G1			-AGF	
		Connecting plate G1¼			-AGG	
		Connecting plate G1½			-AGH	
		Connecting plate G2			-AGI	
		Module without connecting thread, without connecting plate			-G	
O	Silencer	Silencer			-S	
	Pressure gauge/pressure gauge alternatives	MS pressure gauge, bar			-AG	
		Adapter plate for EN pressure gauge ¼, without pressure gauge			-A4	
	Alternative pressure gauge scale	psi		1	-PSI	
		MPa		1	-MPA	
	Type of mounting	Mounting bracket standard design		2	-WP	
	Flow direction	Flow direction from right to left			-Z	

1 PSI, MPA Only with pressure gauge AG.

2 WP Only with connecting plate AGF, AGG, AGH or AGI.

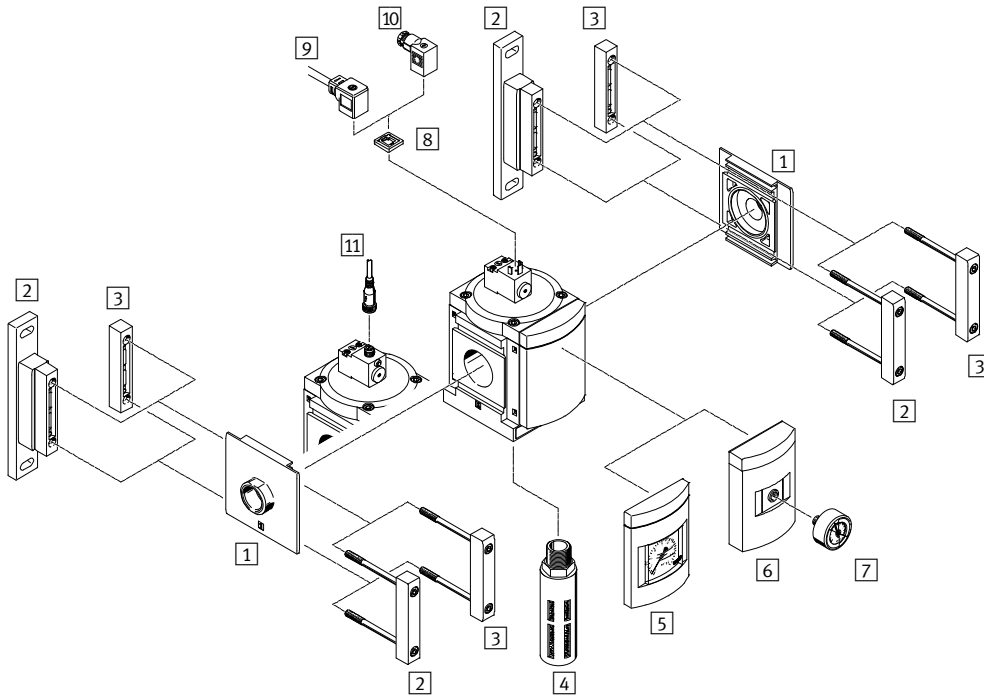
Transfer order code

535031	MS	12	- EM	-	-	-	-	-	-	-
--------	----	----	------	---	---	---	---	---	---	---

# On-off valves MS12-EE, MS series

Peripherals overview

## On-off valves MS12-EE



Note  
 Additional accessories:  
 – Module connector for combination with size MS9 → Internet: armv

### Mounting attachments and accessories

		→ Page/Internet
1	Connecting plate-SET MS12-AG...	ms12-ag
2	Mounting bracket MS12-WP	ms12-wp
3	Module connector MS12-MV	ms12-mv
4	Silencer U	95
5	MS pressure gauge AG	81
6	Adapter for EN pressure gauge 1/4 A4	81
7	Pressure gauge MA	95
8	Illuminating seal MC-LD	94
9	Connecting cable KMC	94
10	Plug socket MSSD-C	94
11	Connecting cable NEBU-M12...-LE4	95

# On-off valves MS12-EE, MS series

Type codes

MS 12 - EE - G - V24

**Series**

MS	Standard service unit
----	-----------------------

**Size**

12	Grid dimension 124 mm
----	-----------------------

**Service function**

EE	On-off valve, solenoid actuated
----	---------------------------------

**Pneumatic connection**

G	Module without connecting thread, without connecting plate Connecting plates → Accessories
---	-----------------------------------------------------------------------------------------------

**Supply voltage**

V24	Supply voltage 24 V DC
-----	------------------------

**Further variants can be ordered using the modular system → 81**

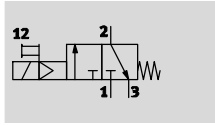
- Pneumatic connection
- Supply voltage
- Silencer
- Pressure gauge/pressure gauge alternatives
- Alternative pressure gauge scale
- Type of mounting
- Flow direction




# On-off valves MS12-EE, MS series

Technical data

FESTO

Function



-  - Flow rate  
25,000 ... 32,000 l/min
-  - Temperature range  
-10 ... +50 °C
-  - Operating pressure  
3 ... 16 bar



- Solenoid actuated on-off valve for pressurising and venting pneumatic installations
- With solenoid coil without plug socket
- Three voltage ranges can be selected
- Ducted exhaust possible via a threaded connection with silencer
- Non-detenting and detenting manual override

General technical data	
Pneumatic connection 1, 2	
Connecting plate AG...	G1, G1¼, G1½ or G2
Module without connecting thread/plate G	–
Pneumatic connection 3	G1
Design	Piston spool valve
Type of mounting	Via accessories In-line installation
Assembly position	Any
Valve function	3/2-way valve, single solenoid, closed
Exhaust function	Without flow control
Type of reset	Mechanical spring
Switching position display	Via accessories LED (with variant V24P)
Type of actuation	Piloted
Pilot air supply	Internal
Direction of flow	Non-reversible

Note: This product conforms to ISO 1179-1 and to ISO 228-1

Electrical data		
Coil characteristics	V24/V24P	24 V DC: 4.5 W; perm. voltage fluctuations ±10%
	V110	110 V AC: 50 Hz; pick-up power 11.5 W; holding power 8.9 W; perm. voltage fluctuations ±10%
		110 V AC: 60 Hz; pick-up power 9.5 W; holding power 6.2 W; perm. voltage fluctuations ±10%
	V230	230 V AC: 50 Hz; pick-up power 11.5 W; holding power 9.1 W; perm. voltage fluctuations ±10%
230 V AC: 60 Hz; pick-up power 9.5 W; holding power 6.4 W; perm. voltage fluctuations ±10%		
Electrical connection	V24/V110/V230	Plug, square design to EN 175301-803, type A
	V24P	Plug M12, 4-pin to DESINA
Protection class for solenoid coil		IP65
Duty cycle	[%]	100

Standard nominal flow rate $q_{nN}^{1)}$ [l/min]	
In main flow direction 1 → 2	25,000 ... 32,000
In relief direction 2 → 3	8,900

1) Measured at  $p_1 = 6$  bar and  $\Delta p = 1$  bar

# On-off valves MS12-EE, MS series

Technical data

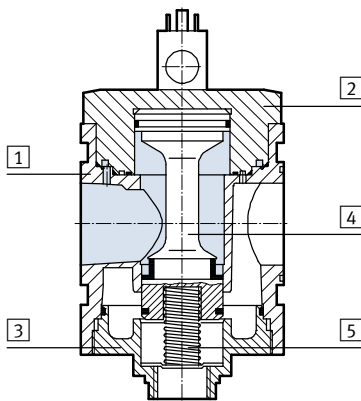
Operating and environmental conditions		
Operating pressure [bar]	3 ... 16	
Operating medium	Compressed air in accordance with ISO 8573-1:2010 [7:4:4]	
	Inert gases	
Note on operating/pilot medium	Operation with lubricated medium possible (in which case lubricated operation will always be required)	
Ambient temperature [°C]	-10 ... +50	
Temperature of medium [°C]	-10 ... +50	
Corrosion resistance CRC <sup>1)</sup>	2	

1) Corrosion resistance class CRC 2 to Festo standard FN 940070  
 Moderate corrosion stress. Indoor applications in which condensation may occur. External visible parts with primarily decorative requirements for the surface and which are in direct contact with the ambient atmosphere typical for industrial applications.

Weights [g]	
On-off valve	3,800
On-off valve with silencer S	3,900

## Materials

Sectional view



On-off valve		
1	Body	Die-cast aluminium
2	Cap, top	Aluminium
3	Cap, bottom	Aluminium
4	Valve spool	Stainless steel, POM, NBR
5	Springs	Steel
-	Covers/cover plates	PA
-	Seals	NBR
-	Connecting plate, module connector, mounting bracket	Die-cast aluminium
Note on materials		Free of copper and PTFE (not with variant AG)

## Dimensions – Basic version

Download CAD data → [www.festo.com](http://www.festo.com)

Module without connecting thread, without connecting plate G, with cover plate

MS12-EE-G-V24/V110/V230

MS12-EE-G-V24P

1 = Unused  
 2 = Unused  
 3 = com (-)  
 4 = Signal (+) solenoid 14

1 Plug connection to EN 175301-803  
 3 Plug connection M12, 4-pin to DESINA for connecting cable NEBU-M12

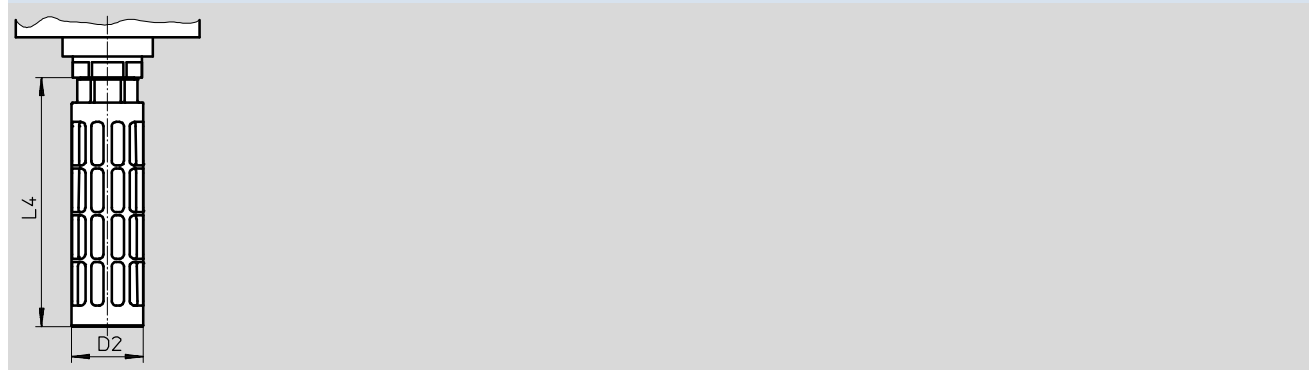
→ Flow direction

Type	B1	B2	B3	B4	L1	L2	L3	L4	L5	D5
MS12-EE-G-V24/V110/V230	124	122	61	148	237	130	162	35.7	12.3	G1
MS12-EE-G-V24P								36	10	

# On-off valves MS12-EE, MS series

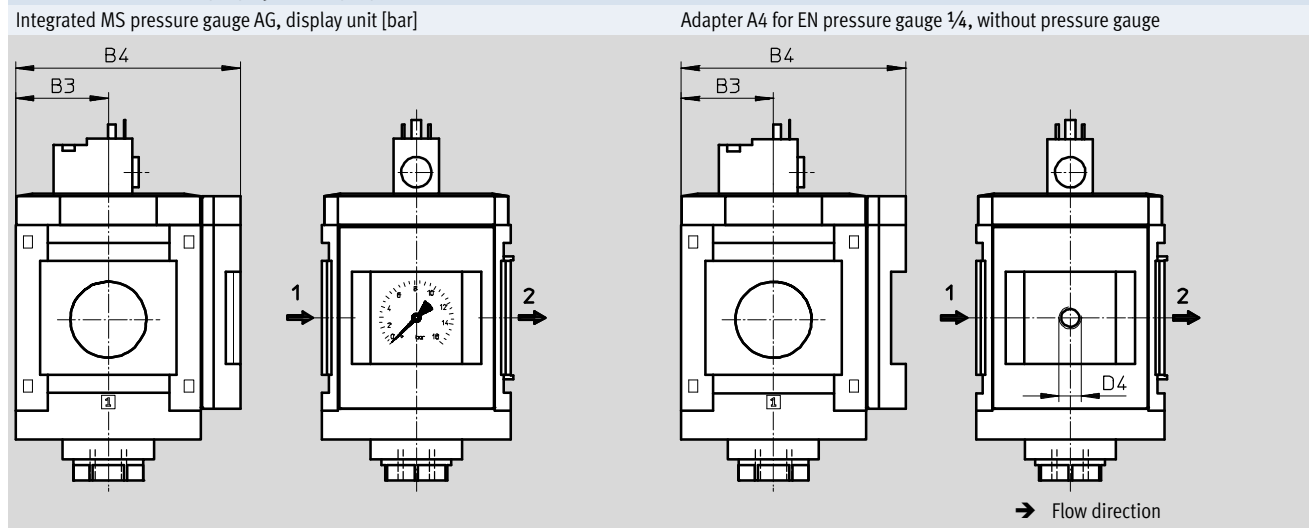
Technical data

**Dimensions – Silencer** Download CAD data → [www.festo.com](http://www.festo.com)



Type	D2 Ø	L4
MS12-EE-...-S	47.8	165.5

**Dimensions – Pressure gauge/pressure gauge alternatives** Download CAD data → [www.festo.com](http://www.festo.com)



Type	B3	B4	D4
MS12-EE-...-AG	61	148	-
MS12-EE-...-A4	61	148	G1/4

• Note: This product conforms to ISO 1179-1 and to ISO 228-1

Ordering data			
Size	Connection	Supply voltage 24 V DC	
		Part No.	Type
MS12	-	541496	MS12-EE-G-V24 <sup>1)</sup>

1) Free of copper and PTFE

• Note: This product conforms to ISO 1179-1 and to ISO 228-1



# On-off valves MS12-EE, MS series

Ordering data – Modular products

M Mandatory data						O Options				
Module No.	Series	Size	Function	Pneumatic connection	Supply voltage	Silencer	Pressure gauge/pressure gauge alternatives	Alternative pressure gauge scale	Type of mounting	Flow direction
535032	MS	12	EE	AG..., G	V24, V24P, V110, V230	S	AG, A4	PSI, MPA	WP	Z
<b>Order example</b>										
535032	MS	12	- EE	- AGI	- V110	- S	- AG	- MPA	- WP	-

Ordering table		Grid dimension [mm]	124	Condi-tions	Code	Enter code
M	Module No.	535032				
	Series	Standard			MS	MS
	Size	12			12	12
	Function	On-off valve, electrical			-EE	-EE
	Pneumatic connection	Connecting plate G1			-AGF	
		Connecting plate G1¼			-AGG	
		Connecting plate G1½			-AGH	
		Connecting plate G2			-AGI	
		Module without connecting thread, without connecting plate			G	
	Supply voltage	24 V DC (connection pattern to EN 175301), 16 bar			-V24	
		24 V DC plug (connection pattern M12 to DESINA), 16 bar			-V24P	
		110 V AC (connection pattern to EN 175301), 16 bar			-V110	
		230 V AC (connection pattern to EN 175301), 16 bar			-V230	
O	Silencer	Silencer			-S	
	Pressure gauge/pressure gauge alternatives	MS pressure gauge, bar			-AG	
		Adapter plate for EN pressure gauge ¼, without pressure gauge			-A4	
	Alternative pressure gauge scale	psi		1	-PSI	
		MPa		1	-MPA	
	Type of mounting	Mounting bracket standard design		2	-WP	
	Flow direction	Flow direction from right to left			-Z	

1 PSI, MPA Only with pressure gauge AG.

2 WP Only with connecting plate AGF, AGG, AGH or AGI.

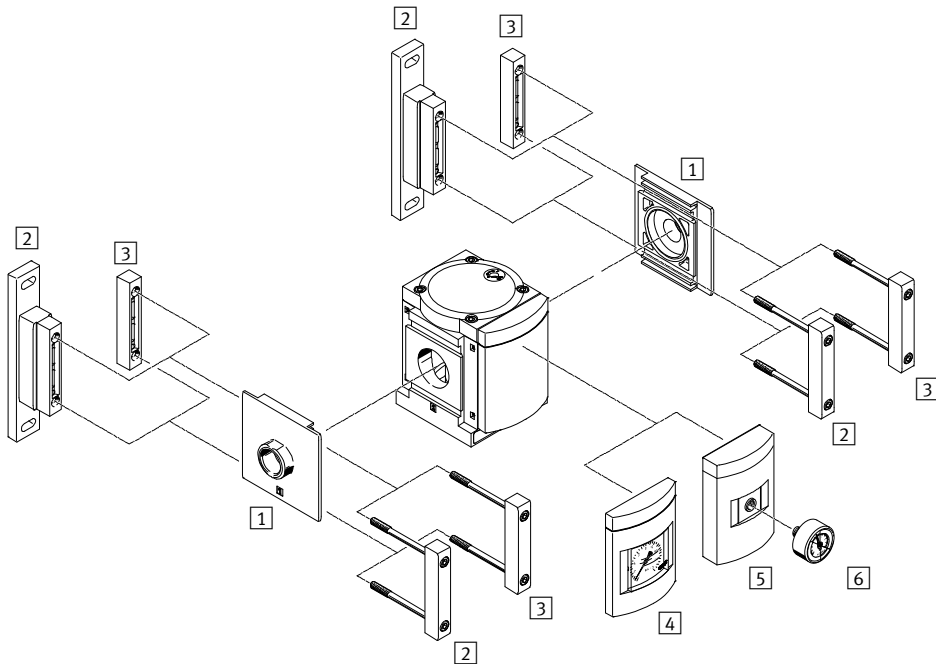
**Transfer order code**


535032	MS	12	- EE	-	-	-	-	-	-	-	-
--------	----	----	------	---	---	---	---	---	---	---	---

# Soft-start valves MS12-DL, MS series

Peripherals overview

## Soft-start valves MS12-DL



-  - Note  
 Additional accessories:  
 - Module connector for combination with size MS9 → Internet: armv

### Mounting attachments and accessories

Mounting attachments and accessories		→ Page/Internet
1	Connecting plate-SET MS12-AG...	ms12-ag
2	Mounting bracket MS12-WP	ms12-wp
3	Module connector MS12-MV	ms12-mv
4	MS pressure gauge AG	87
5	Adapter for EN pressure gauge 1/4 A4	87
6	Pressure gauge MA	95

# Soft-start valves MS12-DL, MS series

Type codes

		MS	12	-	DL	-	G
<b>Series</b>							
MS	Standard service unit						
<b>Size</b>							
12	Grid dimension 124 mm						
<b>Service function</b>							
DL	Soft-start valve, pneumatically actuated						
<b>Pneumatic connection</b>							
G	Module without connecting thread, without connecting plate Connecting plates → Accessories						

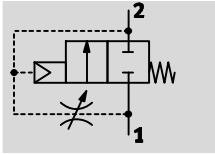
**Further variants can be ordered using the modular system → 87**

- Pneumatic connection
- Pressure gauge/pressure gauge alternatives
- Alternative pressure gauge scale
- Type of mounting
- Flow direction

# Soft-start valves MS12-DL, MS series

Technical data

Function



- - Flow rate  
25,000 ... 42,000 l/min
- - Temperature range  
-10 ... +60 °C
- - Operating pressure  
2 ... 20 bar



The duration of the pressure build-up is adjusted using the restrictor attached to the valve cap.

The output pressure p2 rises slowly in accordance with the restrictor setting. The main seat opens when the switch-through pressure is reached.

- Pneumatically actuated soft-start valve for slowly pressurising and venting pneumatic installations (for use with on-off valves EM and EE)
- The drives advance slowly and reliably into the initial position
- Sudden and erratic movements are avoided
- Pressure switching approx. 50% of operating pressure
- Adjustable switching time delay

General technical data	
Pneumatic connection 1, 2	
Connecting plate AG...	G1, G1¼, G1½ or G2
Module without connecting thread/plate G	–
Design	Piston poppet valve
Type of mounting	Via accessories In-line installation
Assembly position	Any
Valve function	2/2-way valve
Exhaust function	Flow control
Type of reset	Mechanical spring
Type of actuation	Direct
Pilot air supply	Internal
Direction of flow	Non-reversible

- - Note: This product conforms to ISO 1179-1 and to ISO 228-1

Standard nominal flow rate qnN <sup>1)</sup> [l/min]	
In main flow direction 1 → 2	25,000 ... 42,000
In relief direction 2 → 1	25,000 ... 42,000

1) Measured at p1 = 6 bar and p2 = 5 bar, Δp = 1 bar

# Soft-start valves MS12-DL, MS series

Technical data

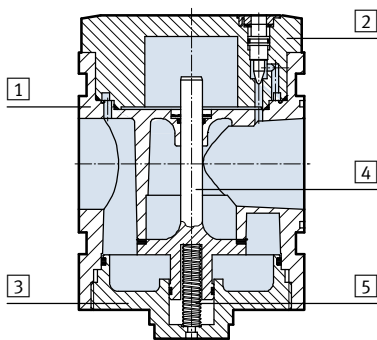
Operating and environmental conditions		
Operating pressure	[bar]	2 ... 20
Operating medium		Compressed air in accordance with ISO 8573-1:2010 [7:--:--]
Ambient temperature	[°C]	-10 ... +60
Temperature of medium	[°C]	-10 ... +60
Corrosion resistance	CRC <sup>1)</sup>	2

1) Corrosion resistance class CRC 2 to Festo standard FN 940070  
 Moderate corrosion stress. Indoor applications in which condensation may occur. External visible parts with primarily decorative requirements for the surface and which are in direct contact with the ambient atmosphere typical for industrial applications.

Weights [g]	
Soft-start valve	3,600

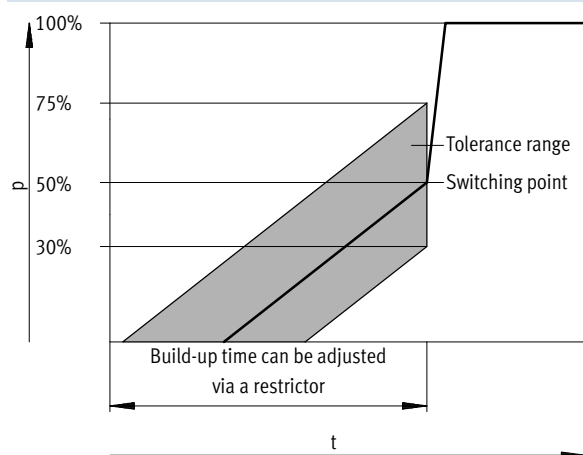
## Materials

Sectional view



Soft-start valve		
1	Body	Die-cast aluminium
2	Cap, top	Aluminium
3	Cap, bottom	Aluminium
4	Valve stem	Aluminium, NBR
5	Springs	Steel
-	Covers/cover plates	PA
-	Seals	NBR
-	Connecting plate, module connector, mounting bracket	Die-cast aluminium
Note on materials		Free of copper and PTFE (not with variant AG)

## Switching point – Pressure p as a function of time t



Note  
 The tolerance specification +25%/-20% of the switching point refers to the operating pressure p1.  
 Example: at an operating pressure of 4 bar a switching point of 1.2 bar to 3.0 bar is permitted.

# Soft-start valves MS12-DL, MS series

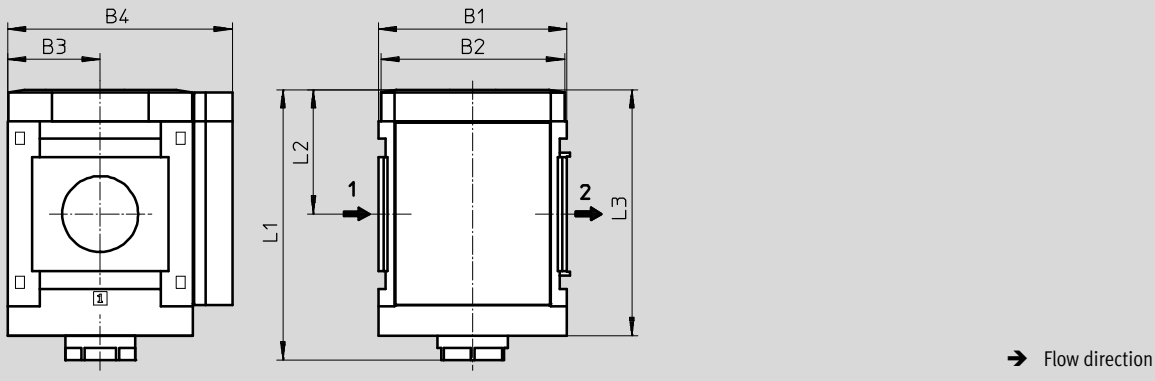
Technical data

FESTO

## Dimensions – Basic version

Download CAD data → [www.festo.com](http://www.festo.com)

Module without connecting thread, without connecting plate G, with cover plate



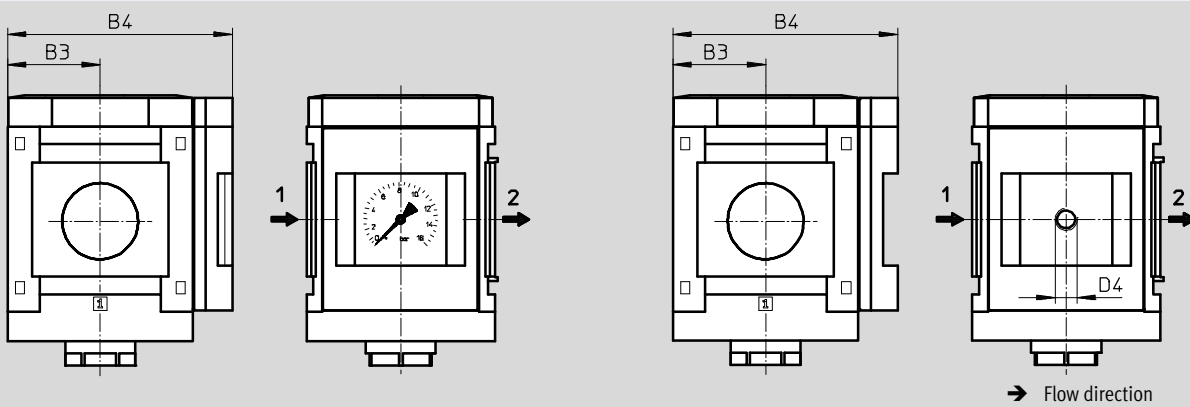
Type	B1	B2	B3	B4	L1	L2	L3
MS12-DL-G	124	122	61	148	178	82	162

## Dimensions – Pressure gauge/pressure gauge alternatives

Download CAD data → [www.festo.com](http://www.festo.com)

Integrated MS pressure gauge AG, display unit [bar]

Adapter A4 for EN pressure gauge 1/4, without pressure gauge



Type	B3	B4	D4
MS12-DL-...-AG	61	148	–
MS12-DL-...-A4	61	148	G1/4

– † – Note: This product conforms to ISO 1179-1 and to ISO 228-1

## Ordering data

Size	Connection	Part No.	Type
MS12	–	541497	MS12-DL-G <sup>1)</sup>

1) Free of copper and PTFE

– † – Note: This product conforms to ISO 1179-1 and to ISO 228-1

# Soft-start valves MS12-DL, MS series

Ordering data – Modular products

M Mandatory data				O Options				
Module No.	Series	Size	Function	Pneumatic connection	Pressure gauge/pressure gauge alternatives	Alternative pressure gauge scale	Type of mounting	Flow direction
535033	MS	12	DL	AG..., G	AG, A4	PSI, MPA	WP	Z
<b>Order example</b>								
<b>535033</b>	<b>MS</b>	<b>12</b>	<b>- DL</b>	<b>- AGI</b>	<b>- AG</b>	<b>- MPA</b>	<b>- WP</b>	<b>- Z</b>

Ordering table					
Grid dimension	[mm]	124	Condi-tions	Code	Enter code
M	Module No.	<b>535033</b>			
	Series	Standard		<b>MS</b>	MS
	Size	12		<b>12</b>	12
	Function	Soft-start valve, pneumatic		<b>-DL</b>	-DL
	Pneumatic connection	Connecting plate G1		<b>-AGF</b>	
		Connecting plate G1¼		<b>-AGG</b>	
		Connecting plate G1½		<b>-AGH</b>	
		Connecting plate G2		<b>-AGI</b>	
		Module without connecting thread, without connecting plate		<b>-G</b>	
O	Pressure gauge/pressure gauge alternatives	MS pressure gauge, bar		<b>-AG</b>	
		Adapter plate for EN pressure gauge ¼, without pressure gauge		<b>-A4</b>	
	Alternative pressure gauge scale	psi	<b>1</b>	<b>-PSI</b>	
		MPa	<b>1</b>	<b>-MPA</b>	
	Type of mounting	Mounting bracket standard design	<b>2</b>	<b>-WP</b>	
	Flow direction	Flow direction from right to left		<b>-Z</b>	

1 **PSI, MPA** Only with pressure gauge AG.

2 **WP** Only with connecting plate AGF, AGG, AGH or AGI.

**Transfer order code**

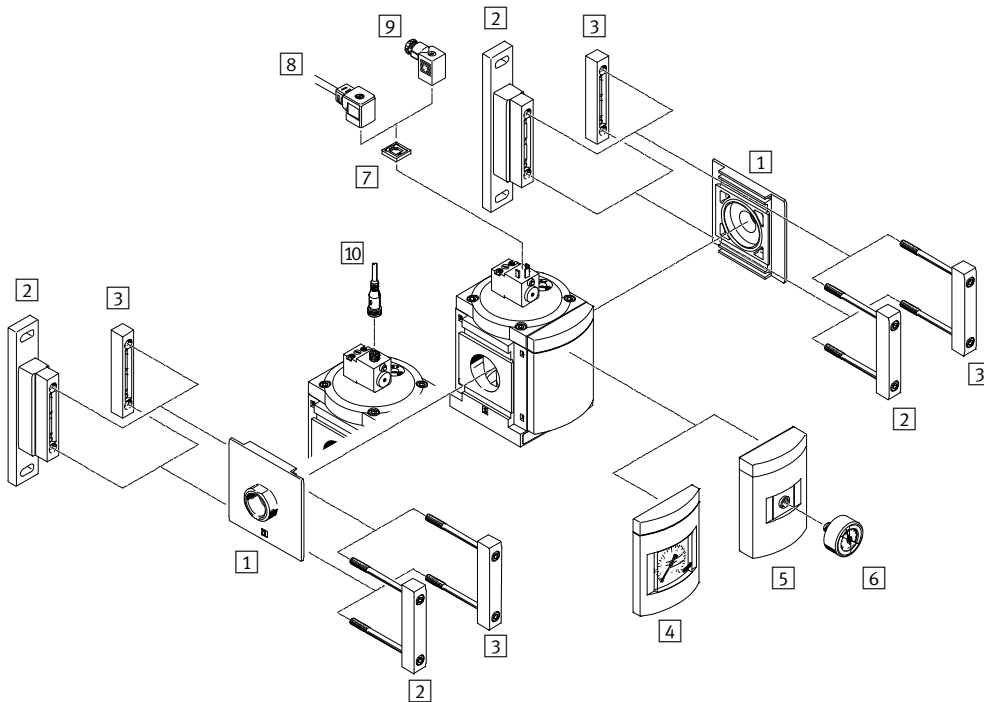
535033 MS 12 - DL - - - - -


# Soft-start valves MS12-DE, MS series

Peripherals overview



## Soft-start valves MS12-DE



 Note  
 Additional accessories:  
 – Module connector for combination with size MS9 → Internet: armv

### Mounting attachments and accessories

		→ Page/Internet
1	Connecting plate-SET MS12-AG...	ms12-ag
2	Mounting bracket MS12-WP	ms12-wp
3	Module connector MS12-MV	ms12-mv
4	MS pressure gauge AG	93
5	Adapter for EN pressure gauge 1/4 A4	93
6	Pressure gauge MA	95
7	Illuminating seal MC-LD	94
8	Connecting cable KMC	94
9	Plug socket MSSD-C	94
10	Connecting cable NEBU-M12...-LE4	95



## Soft-start valves MS12-DE, MS series

FESTO

Type codes

MS		12		-		DE		-		G		-		V24	
<b>Series</b>															
MS	Standard service unit														
<b>Size</b>															
12	Grid dimension 124 mm														
<b>Service function</b>															
DE	Soft-start valve, solenoid actuated														
<b>Pneumatic connection</b>															
G	Module without connecting thread, without connecting plate Connecting plates → Accessories														
<b>Supply voltage</b>															
V24	Supply voltage 24 V DC														

Further variants can be ordered using the modular system → 93

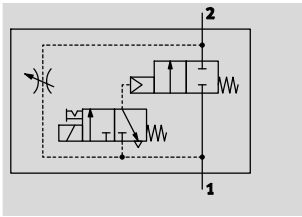
- Pneumatic connection
- Supply voltage
- Pressure gauge/pressure gauge alternatives
- Alternative pressure gauge scale
- Type of mounting
- Flow direction




# Soft-start valves MS12-DE, MS series

Technical data

FESTO

## Function



-  - Flow rate  
25,000 ... 42,000 l/min
-  - Temperature range  
-10 ... +50 °C
-  - Operating pressure  
3 ... 16 bar




The duration of the pressure build-up is adjusted using the restrictor attached to the valve cap. The output pressure p2 rises slowly in accordance with the restrictor setting. Only the air flow from the restrictor is available when the solenoid valve is not actuated. The main seat is only opened by energising the solenoid valve.

When the solenoid valve is switched off, the main seat is closed and only the air flow from the flow control valve is available. The solenoid valve should remain switched on in order to vent a system as this increases the flow rate from 2 and 1 and reduces the exhaust time.

- Solenoid actuated soft-start valve for slowly pressurising and venting pneumatic installations
- The drives advance slowly and reliably into the initial position
- Sudden and erratic movements are avoided
- With solenoid coil without plug socket
- Switch-through pressure can be exactly controlled using a solenoid valve
- Adjustable switching time delay
- Three voltage ranges can be selected
- Non-detenting and detenting manual override

General technical data	
Pneumatic connection 1, 2	
Connecting plate AG...	G1, G1¼, G1½ or G2
Module without connecting thread/plate G	–
Design	Piston poppet valve
Type of mounting	Via accessories In-line installation
Assembly position	Any
Valve function	2/2-way valve
Exhaust function	Flow control
Type of reset	Mechanical spring
Signal status display	Via accessories LED (with variant V24P)
Type of actuation	Piloted
Pilot air supply	Internal
Direction of flow	Non-reversible

-  - Note: This product conforms to ISO 1179-1 and to ISO 228-1

Electrical data		
Coil characteristics	V24	24 V DC: 8.4 W 42 V AC: 50 Hz, pick-up power 14 VA, holding power 10 VA 42 V AC: 60 Hz, pick-up power 12 VA, holding power 7 VA
	V24P	24 V DC
	V110	110 V AC
	V230	230 V AC
	Electrical connection	V24/V110/V230 V24P
Protection class for solenoid coil		IP65
Duty cycle	[%]	100

# Soft-start valves MS12-DE, MS series

Technical data

Standard nominal flow rate $q_{nN}^{1)}$ [l/min]	
In main flow direction 1 $\rightarrow$ 2	25,000 ... 42,000
In relief direction 2 $\rightarrow$ 1 <sup>2)</sup>	25,000 ... 42,000

- 1) Measured at  $p_1 = 6$  bar and  $p_2 = 5$  bar,  $\Delta p = 1$  bar  
 2) For energised solenoid valve

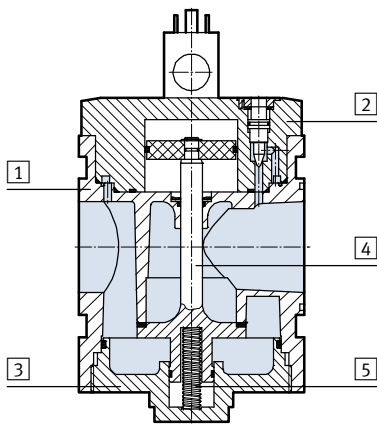
Operating and environmental conditions		
Operating pressure	[bar]	3 ... 16
Operating medium		Compressed air in accordance with ISO 8573-1:2010 [---:--]
Ambient temperature	[°C]	-10 ... +50
Temperature of medium	[°C]	-10 ... +50
Corrosion resistance	CRC <sup>1)</sup>	2

- 1) Corrosion resistance class CRC 2 to Festo standard FN 940070  
 Moderate corrosion stress. Indoor applications in which condensation may occur. External visible parts with primarily decorative requirements for the surface and which are in direct contact with the ambient atmosphere typical for industrial applications.

Weights [g]	
Soft-start valve	3,800

## Materials

Sectional view



Soft-start valve		
1	Body	Die-cast aluminium
2	Cap, top	Aluminium
3	Cap, bottom	Aluminium
4	Valve stem	Aluminium, NBR
5	Springs	Steel
-	Covers/cover plates	PA
-	Seals	NBR
-	Connecting plate, module connector, mounting bracket	Die-cast aluminium
Note on materials		Free of copper and PTFE (not with variant AG)

# Soft-start valves MS12-DE, MS series

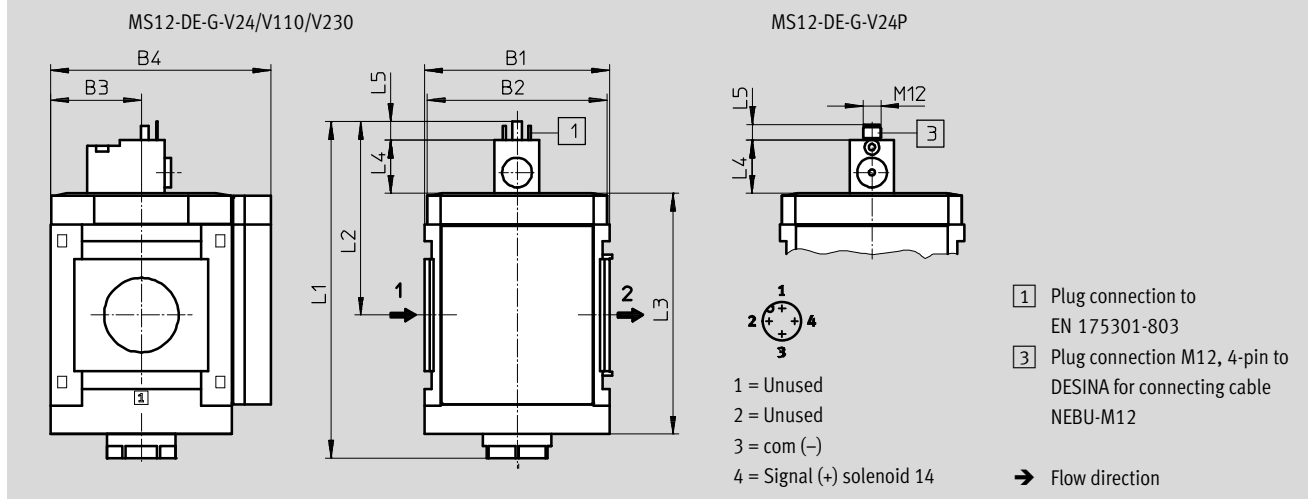
Technical data



## Dimensions – Basic version

Download CAD data → [www.festo.com](http://www.festo.com)

Module without connecting thread, without connecting plate G, with cover plate



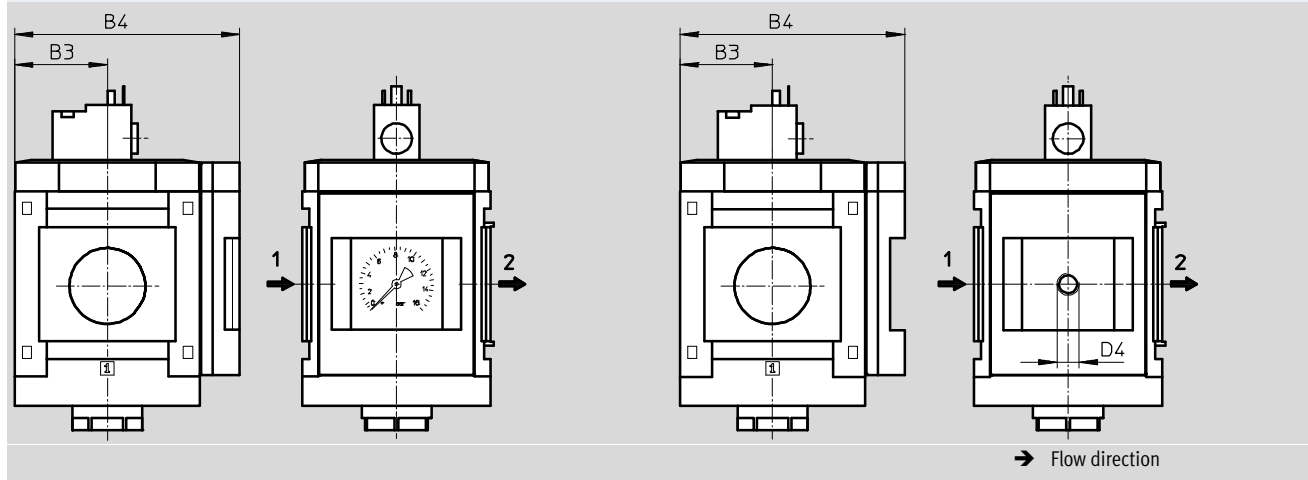
Type	B1	B2	B3	B4	L1	L2	L3	L4	L5
MS12-DE-G-V24/V110/V230	124	122	61	148	226	130	162	35.7	12.3
MS12-DE-G-V24P								36	10

## Dimensions – Pressure gauge/pressure gauge alternatives

Download CAD data → [www.festo.com](http://www.festo.com)

Integrated MS pressure gauge AG, display unit [bar]

Adapter A4 for EN pressure gauge 1/4, without pressure gauge



Type	B3	B4	D4
MS12-DE-...-AG	61	148	-
MS12-DE-...-A4	61	148	G1/4

Note: This product conforms to ISO 1179-1 and to ISO 228-1

## Ordering data

Size	Connection	Supply voltage 24 V DC	
		Part No.	Type
MS12	-	541498	MS12-DE-G-V24 <sup>1)</sup>

1) Free of copper and PTFE

Note: This product conforms to ISO 1179-1 and to ISO 228-1

# Soft-start valves MS12-DE, MS series

Ordering data – Modular products

M Mandatory data					O Options				
Module No.	Series	Size	Function	Pneumatic connection	Supply voltage	Pressure gauge/pressure gauge alternatives	Alternative pressure gauge scale	Type of mounting	Flow direction
535034	MS	12	DE	AG..., G	V24, V24P, V110, V230	AG, A4	PSI, MPA	WP	Z
<b>Order example</b>									
<b>535034</b>	<b>MS</b>	<b>12</b>	- <b>DE</b>	- <b>AGH</b>	- <b>V230</b>	- <b>A4</b>	-	- <b>WP</b>	- <b>Z</b>

Ordering table					
Grid dimension	[mm]	124	Conditions	Code	Enter code
M	Module No.	<b>535034</b>			
	Series	Standard		<b>MS</b>	MS
	Size	12		<b>12</b>	12
	Function	Soft-start valve, electrical		<b>-DE</b>	-DE
	Pneumatic connection	Connecting plate G1		<b>-AGF</b>	
		Connecting plate G1¼		<b>-AGG</b>	
		Connecting plate G1½		<b>-AGH</b>	
		Connecting plate G2		<b>-AGI</b>	
		Module without connecting thread, without connecting plate		<b>-G</b>	
	Supply voltage	24 V DC (connection pattern to EN 175301), 16 bar		<b>-V24</b>	
		24 V DC plug (connection pattern M12 to DESINA), 16 bar		<b>-V24P</b>	
		110 V AC (connection pattern to EN 175301), 16 bar		<b>-V110</b>	
		230 V AC (connection pattern to EN 175301), 16 bar		<b>-V230</b>	
	Pressure gauge/pressure gauge alternatives	MS pressure gauge, bar		<b>-AG</b>	
		Adapter plate for EN pressure gauge ¼, without pressure gauge		<b>-A4</b>	
	Alternative pressure gauge scale	psi	1	<b>-PSI</b>	
		MPa	1	<b>-MPA</b>	
	Type of mounting	Mounting bracket standard design	2	<b>-WP</b>	
	Flow direction	Flow direction from right to left		<b>-Z</b>	

1 **PSI, MPA** Only with pressure gauge AG.

2 **WP** Only with connecting plate AGF, AGG, AGH or AGI.

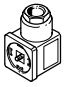
**Transfer order code**

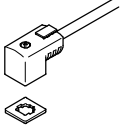
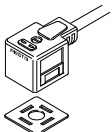
<b>535034</b>	<b>MS</b>	<b>12</b>	- <b>DE</b>	-	-	-	-	-	-	-
---------------	-----------	-----------	-------------	---	---	---	---	---	---	---


# On-off/soft-start valves MS-EM/EE/DL/DE, MS series

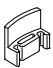
FESTO

Accessories

Ordering data – Plug socket MSSD					Technical data → Internet: mssd	
	Description		Electrical connection	Cable connection	Part No.	Type
	for MS4/6-EE/DE	–	3-pin	Screw terminal	<b>151687</b>	<b>MSSD-EB</b>
			4-pin	Insulation displacement connector	<b>192745</b>	<b>MSSD-EB-S-M14</b>
	for MS9-EE, for MS12-EE/DE	–	3-pin	Screw terminal	<b>570367</b>	<b>MSSD-EB-M12-24VDC-SD-EX</b>
			4-pin	Insulation displacement connector	<b>34583</b>	<b>MSSD-C</b>
					<b>192748</b>	<b>MSSD-C-S-M16</b>

Ordering data – Plug socket with cable KMEB/connecting cable KMC						Technical data → Internet: kmeb, kmc	
	Description	Operating voltage range	Electrical connection	Switching status display	Cable length [m]	Part No.	Type
	for MS4/6-EE/DE	24 V DC	2-pin	LED	2.5	<b>547268</b>	<b>KMEB-3-24-2,5-LED</b>
				–	5	<b>547269</b>	<b>KMEB-3-24-5-LED</b>
				–	2.5	<b>547270</b>	<b>KMEB-3-24-2,5</b>
			3-pin	LED	5	<b>547271</b>	<b>KMEB-3-24-5</b>
				–	2.5	<b>151688</b>	<b>KMEB-1-24-2,5-LED</b>
				–	5	<b>151689</b>	<b>KMEB-1-24-5-LED</b>
	for MS9-EE, for MS12-EE/DE	24 V DC	3-pin	LED	10	<b>193457</b>	<b>KMEB-1-24-10-LED</b>
				–	2.5	<b>151690</b>	<b>KMEB-1-230AC-2,5</b>
				–	5	<b>151691</b>	<b>KMEB-1-230AC-5</b>
			3-pin	LED	2.5	<b>30931</b>	<b>KMC-1-24DC-2,5-LED</b>
				–	5	<b>30933</b>	<b>KMC-1-24DC-5-LED</b>
				–	10	<b>193459</b>	<b>KMC-1-24-10-LED</b>
230 V AC	3-pin	–	2.5	<b>30932</b>	<b>KMC-1-230AC-2,5</b>		
		–	5	<b>30934</b>	<b>KMC-1-230AC-5</b>		

Ordering data – Illuminating seal MEB-LD/MC-LD				Technical data → Internet: meb, mc	
	Description	Operating voltage range	Part No.	Type	
	for plug socket with cable KMEB and plug socket MSSD-EB	12 ... 24 V DC	<b>151717</b>	<b>MEB-LD-12-24DC</b>	
		230 V DC/AC ±10%	<b>151718</b>	<b>MEB-LD-230AC</b>	
	for connecting cable KMC and plug socket MSSD-C	12 ... 24 V DC	<b>19145</b>	<b>MC-LD-12-24DC</b>	
		230 V DC/AC ±10%	<b>19146</b>	<b>MC-LD-230AC</b>	

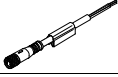

Ordering data – Locking clip CPV18-HV				Technical data → Internet: cpv18-hv	
	Description	Part No.	Type	PU <sup>1)</sup>	
	for MS4/6-EE/DE...-V24	<b>530056</b>	<b>CPV18-HV</b>	<b>10</b>	
	Cover for manual override, the clip prevents actuation				

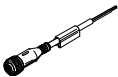

1) Packaging unit quantity


# On-off/soft-start valves MS-EM/EE/DL/DE, MS series


FESTO


Accessories


Ordering data – Connecting cable NEBU-M8				Technical data → Internet: nebu	
	Electrical connection	Number of wires	Cable length [m]	Part No.	Type
	M8x1, straight socket	3	2.5	541333	NEBU-M8G3-K-2.5-LE3
			5	541334	NEBU-M8G3-K-5-LE3
	M8x1, angled socket	3	2.5	541338	NEBU-M8W3-K-2.5-LE3
			5	541341	NEBU-M8W3-K-5-LE3

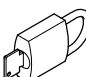
Ordering data – Connecting cable NEBU-M12				Technical data → Internet: nebu	
	Electrical connection	Number of wires	Cable length [m]	Part No.	Type
	M12x1, straight socket	4	2.5	550326	NEBU-M12G5-K-2.5-LE4
			5	541328	NEBU-M12G5-K-5-LE4
	M12x1, angled socket	4	2.5	550325	NEBU-M12W5-K-2.5-LE4
			5	541329	NEBU-M12W5-K-5-LE4

Ordering data – Sensor socket SIE-GD			Technical data → Internet: sie-gd	
	Electrical connection		Part No.	Type
	M12x1, 4-pin		18494	SIE-GD

Ordering data – Angled plug socket SIE-WD			Technical data → Internet: sie-wd	
	Electrical connection		Part No.	Type
	M12x1, 4-pin		12956	SIE-WD-TR

Ordering data – Silencer U			Technical data → Internet: u	
	Description	Pneumatic connection	Part No.	Type
	for MS4-EM1/EE	G $\frac{1}{4}$	6842	U- $\frac{1}{4}$ -B
	for MS6-EM1/EE	G $\frac{1}{2}$	6844	U- $\frac{1}{2}$ -B
	for MS9/12-EM/EE	G1	151990	U-1-B

Ordering data – Pressure gauge MA							
	Nominal size	Pneumatic connection	Indicating range		Part No.	Type	
			[bar]	[psi]			
	Pressure gauge MA, EN 837-1					Technical data → Internet: ma	
	40	R $\frac{1}{4}$	0 ... 16	0 ... 232	187080	MA-40-16-R $\frac{1}{4}$ -EN	
		G $\frac{1}{4}$	0 ... 16	0 ... 232	183901	MA-40-16-G $\frac{1}{4}$ -EN	
	Pressure gauge MA, EN 837-1, with red-green range					Technical data → Internet: ma	
40	R $\frac{1}{8}$	0 ... 16	–	525726	MA-40-16-R $\frac{1}{8}$ -E-RG		
50	R $\frac{1}{4}$	0 ... 16	–	525729	MA-50-16-R $\frac{1}{4}$ -E-RG		

Ordering data – Padlock LRVS-D		
	Weight [g]	Part No. Type
	120	193786 LRVS-D

## Product Range and Company Overview

### A Complete Suite and Company Overview

Our experienced engineers provide complete support at every stage of your development process, including: conceptualization, analysis, engineering, design, assembly, documentation, validation, and production.



**Custom Automation Components**  
Complete custom engineered solutions



**Custom Control Cabinets**  
Comprehensive engineering support and on-site services



**Complete Systems**  
Shipment, stocking and storage services

### The Broadest Range of Automation Components

With a comprehensive line of more than 30,000 automation components, Festo is capable of solving the most complex automation requirements.



**Electromechanical**  
Electromechanical actuators, motors, controllers & drivers



**Pneumatics**  
Pneumatic linear and rotary actuators, valves, and air supply



**PLCs and I/O Devices**  
PLC's, operator interfaces, sensors and I/O devices

### Supporting Advanced Automation... As No One Else Can!

Festo is a leading global manufacturer of pneumatic and electromechanical systems, components and controls for industrial automation, with more than 16,000 employees in 60 national headquarters serving more than 180 countries. For more than 80 years, Festo has continuously elevated the state of manufacturing with innovations and optimized motion control solutions that deliver higher performing, more profitable automated manufacturing and processing equipment. Our dedication to the advancement of automation extends beyond technology to the education and development of current and future automation and robotics designers with simulation tools, teaching programs, and on-site services.

### Quality Assurance, ISO 9001 and ISO 14001 Certifications

Festo Corporation is committed to supply all Festo products and services that will meet or exceed our customers' requirements in product quality, delivery, customer service and satisfaction.

To meet this commitment, we strive to ensure a consistent, integrated, and systematic approach to management that will meet or exceed the requirements of the ISO 9001 standard for Quality Management and the ISO 14001 standard for Environmental Management.



© Copyright 2013, Festo Corporation. While every effort is made to ensure that all dimensions and specifications are correct, Festo cannot guarantee that publications are completely free of any error, in particular typing or printing errors. Accordingly, Festo cannot be held responsible for the same. For Liability and Warranty conditions, refer to our "Terms and Conditions of Sale", available from your local Festo office. All rights reserved. No part of this publication may be reproduced, distributed, or transmitted in any form or by any means, electronic, mechanical, photocopying or otherwise, without the prior written permission of Festo. All technical data subject to change according to technical update.



Printed on recycled paper at New Horizon Graphic, Inc., FSC certified as an environmental friendly printing plant.



# Festo North America



**1 Festo Canada  
Headquarters  
Festo Inc.**  
5300 Explorer Drive  
Mississauga, ON  
L4W 5G4

**2 Montréal**  
5600, Trans-Canada  
Pointe-Claire, QC  
H9R 1B6

**3 Québec City**  
2930, rue Watt#117  
Québec, QC  
G1X 4G3



**4 Festo United States  
Headquarters  
Festo Corporation**  
395 Moreland Road  
Hauppauge, NY  
11788

**5 Appleton**  
North 922 Tower View Drive, Suite N  
Greenville, WI  
54942

**7 Detroit**  
1441 West Long Lake Road  
Troy, MI  
48098

**6 Chicago**  
85 W Algonquin - Suite 340  
Arlington Heights, IL  
60005

**8 Silicon Valley**  
4935 Southfront Road, Suite F  
Livermore, CA  
94550

## Festo Regional Contact Center

### Canadian Customers

Commercial Support:  
Tel: 1 877 GO FESTO (1 877 463 3786)  
Fax: 1 877 FX FESTO (1 877 393 3786)  
Email: festo.canada@ca.festo.com

Technical Support:  
Tel: 1 866 GO FESTO (1 866 463 3786)  
Fax: 1 877 FX FESTO (1 877 393 3786)  
Email: technical.support@ca.festo.com

### USA Customers

Commercial Support:  
Tel: 1 800 99 FESTO (1 800 993 3786)  
Fax: 1 800 96 FESTO (1 800 963 3786)  
Email: customer.service@us.festo.com

Technical Support:  
Tel: 1 866 GO FESTO (1 866 463 3786)  
Fax: 1 800 96 FESTO (1 800 963 3786)  
Email: product.support@us.festo.com