

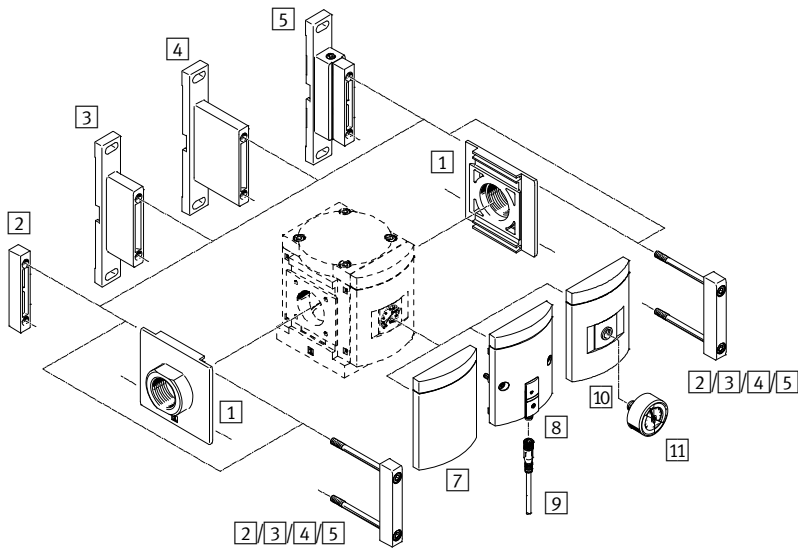
Pressure regulators MS-LR, MS series, NPT



Pressure regulators MS9-LR, MS series, NPT

Peripherals overview

Pressure regulator MS9-LR



 Note

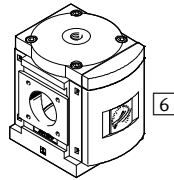
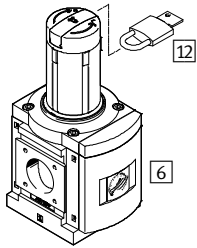
Additional accessories:

- Module connector for combinations with size MS6, MS9 or MS12

→ Internet: rmv, armv

manually operated

pneumatically actuated



Mounting attachments and accessories

	Individual unit		Combination Module without connecting thread, without connecting plate NG	→ Page/ Internet
	With female thread N $\frac{3}{4}$ or N1	With connecting plate AQ...		
1 Connecting plate-SET MS9-AQ...	-	■	■	ms9-aq
2 Module connector MS9-MV	-	-	■	ms9-mv
3 Mounting bracket MS9-WP	■	■	■	ms9-wp
4 Mounting bracket MS9-WPB	■	■	■	ms9-wp
5 Mounting bracket MS9-WPM	■	■	■	ms9-wp
6 MS pressure gauge AG	■	■	■	10
7 Cover plate VS	■	■	■	10
8 Pressure sensor without display AD7 ... AD10	■	■	■	10
9 Connecting cable NEBU-M8...-LE3	■	■	■	12
10 Adapter plate for EN pressure gauge $\frac{1}{4}$ A4	■	■	■	10
11 Pressure gauge MA	■	■	■	12
12 Padlock LRVS-D	■	■	■	12

Pressure regulators MS9-LR, MS series, NPT

Type codes

		MS	9	-	LR	-	NG	-	D5	-	DI	-	AG	-	PSI	-	AS
Series																	
MS	Standard service unit																
Size																	
9	Grid dimension 90 mm																
Service function																	
LR	Pressure regulator																
Connection size																	
NG	Module without connecting thread, without connecting plate																
Pressure regulation range/operation																	
D5	0.5 ... 4 bar, manually operated																
D6	0.5 ... 7 bar, manually operated																
Alternative actuation principle																	
	Piloted																
DI	Directly actuated																
Pressure gauge																	
AG	MS pressure gauge																
Pressure gauge scale																	
PSI	Psi																
Security																	
AS	Rotary knob with detent, can be locked using accessories																

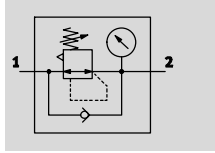
Additional variants can be ordered using the modular product system → 10

- Connecting plates
- Pressure regulation range/operation
- Pressure gauge alternatives
- Alternative pressure gauge scale
- Secondary venting
- Security lock
- Type of mounting
- UL certification
- Alternative flow direction

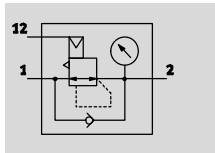
Pressure regulators MS9-LR, MS series, NPT




Technical data

Pressure regulation range/operation
D5/D6/D7/D8, manually operated



P0, pneumatically actuated



-  - Flow rate
6,500 ... 33,000 l/min
-  - Temperature range
-10 ... +60 °C
-  - Operating pressure
1 ... 20 bar



The pressure regulator maintains an essentially constant output pressure p2 independent of pressure fluctuations in the system and air consumption. The output pressure p2 can be set within the pressure regulation range either manually using the rotary

knob or pneumatically via a pilot pressure p12 by an external pilot regulator. When switching off the operating pressure, the output pressure p2 is vented via connection 3 (secondary venting).

- Good regulation characteristics with low hysteresis and primary pressure compensation
- High flow rate with minimal pressure drop
- Piloted or directly actuated diaphragm regulator
- Four pressure regulation ranges:
0.5 ... 4 bar, 0.5 ... 7 bar,
0.5 ... 12 bar and 0.5 ... 16 bar
- Available with or without secondary venting
- Actuator lock to protect set values against adjustment
- Return flow option for exhausting from output port 2 to output port 1 already integrated
- Optional pressure sensor

General technical data					
Pneumatic connection 1, 2		NPT3/4-14	NPT1-11/2	NPT1/2-14 ... NPT1 1/2-11 1/2 (with connecting plate AQ...)	– (without connecting thread NG)
Pilot air connection 12 with pressure regulation range/operation P0		G1/4			
Design		Piloted diaphragm regulator			
		Directly actuated diaphragm regulator			
Regulator type	Piloted	Output pressure constant, with return flow action, with primary pressure compensation, with secondary venting			
	Directly actuated	Output pressure constant, with return flow action, with/without secondary venting			
Type of mounting		Via accessories			
		In-line installation			
		Front panel mounting			
Mounting position		Any ¹⁾			
Actuation security		Rotary knob with detent			
		Rotary knob with detent, can be locked using accessories			
		Rotary knob with integrated lock			
Pressure regulation range/operation	D5 [bar]	0.5 ... 4, manually operated			
	D6 [bar]	0.5 ... 7, manually operated			
	D7 [bar]	0.5 ... 12, manually operated (0.5 ... 10 with pressure sensor variant AD...)			
	D8 [bar]	0.5 ... 16, manually operated (0.5 ... 10 with pressure sensor variant AD...)			
	P0 [bar]	0.5 ... 16, pneumatically actuated ²⁾			
Max. pressure hysteresis [bar]		0.4			
Pressure display		Via pressure sensor for displaying output pressure via operational status indicator and electrical output			
		Via pressure gauge for displaying output pressure			
		Via pressure gauge with red/green scale for displaying output pressure			
		G1/4 prepared			

1) The pressure regulator must be mounted vertically when combined with a pressure sensor as condensate must not collect in the pressure sensor.

2) Output pressure p2 corresponds roughly to the applied pilot pressure p12.

Pressure regulators MS9-LR, MS series, NPT

FESTO

Technical data

Standard nominal flow rate $q_{nN^{1)2)}$ [l/min]					
Design		Piloted diaphragm regulator		Directly actuated diaphragm regulator DI	
Pneumatic connection		NPT $\frac{3}{4}$ -14	NPT1-11 $\frac{1}{2}$	NPT $\frac{3}{4}$ -14	NPT1-11 $\frac{1}{2}$
Pressure regulation range	D5	19,000 ³⁾	26,000 ³⁾	14,000 ³⁾	20,000 ³⁾
	D6	17,000	20,000	14,000	11,000
	D7	17,000	20,000	–	–
	D8	17,000	20,000	–	–
	P0	21,000	25,000	–	–

1) All values $\pm 15\%$

2) Measured at $p_1 = 10$ bar and $p_2 = 6$ bar, $\Delta p = 1$ bar

3) Measured at $p_1 = 10$ bar and $p_2 = 4$ bar, $\Delta p = 1$ bar

Operating and environmental conditions		
Variant	Standard	Pressure sensor AD...
Supply pressure [bar]	1 ... 20	1 ... 20
Operating medium	Compressed air in accordance with ISO 8573-1:2010 [7:4:4]	
Note on operating/pilot medium	Operation with lubricated medium possible (in which case lubricated operation will always be required)	
Ambient temperature [°C]	-10 ... +60	0 ... +50
Temperature of medium [°C]	-10 ... +60	0 ... +50
Storage temperature [°C]	-10 ... +60	-10 ... +60
Corrosion resistance class CRC ¹⁾	2	
Certification (variant UL1)	cULus recognized (OL)	

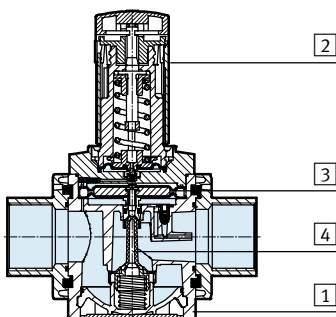
1) Corrosion resistance class CRC 2 to Festo standard FN 940070

Moderate corrosion stress. Indoor applications in which condensation may occur. External visible parts with primarily decorative requirements for the surface and which are in direct contact with the ambient atmosphere typical for industrial applications.

Weight [g]	
Pressure regulator	1,400
Pressure regulator with rotary knob with integrated lock E11	1,700

Materials

Sectional view



Pressure regulator		
1	Housing	Die-cast aluminium
2	Rotary knob	PA
	Rotary knob with integrated lock E11	Aluminium
3	Diaphragm	NBR
4	Valve stem	Wrought aluminium alloy, NBR, POM
–	Cover	PA reinforced
–	Connecting plate, module connector, mounting bracket	Die-cast aluminium
–	Seals	NBR
Note on materials		RoHS-compliant

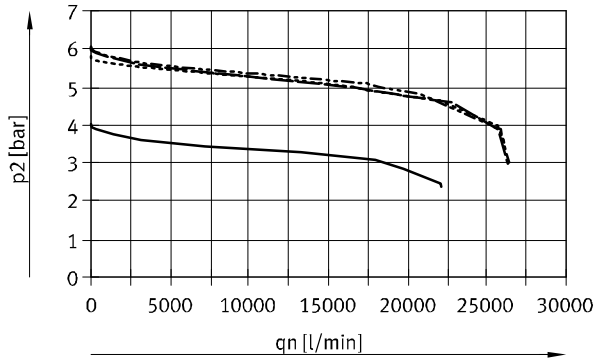
Pressure regulators MS9-LR, MS series, NPT

Technical data

Standard flow rate q_n as a function of output pressure p_2 at operating pressure $p_1 = 10$ bar

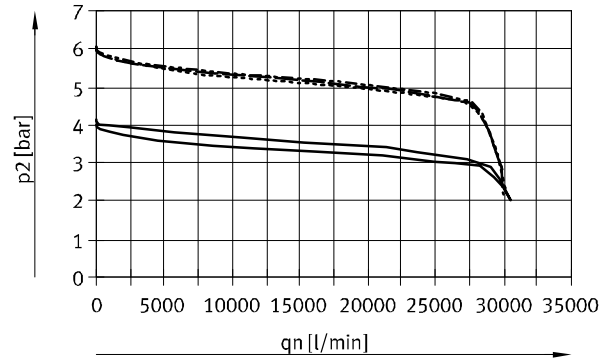
Piloted diaphragm regulator

Pneumatic connection NPT $\frac{3}{4}$ -14



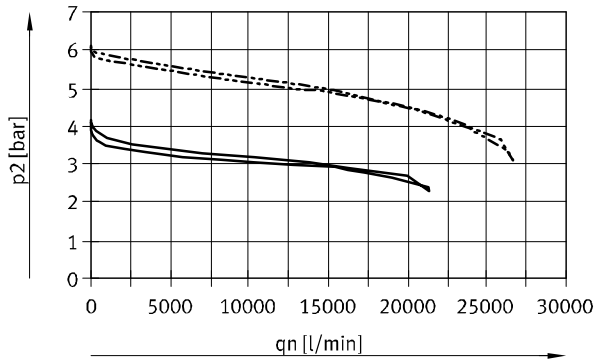
— D5: 0.5 ... 4 bar - · - · D7: 0.5 ... 12 bar
- - - D6: 0.5 ... 7 bar · · · · D8: 0.5 ... 16 bar

Pneumatic connection NPT1-11 $\frac{1}{2}$



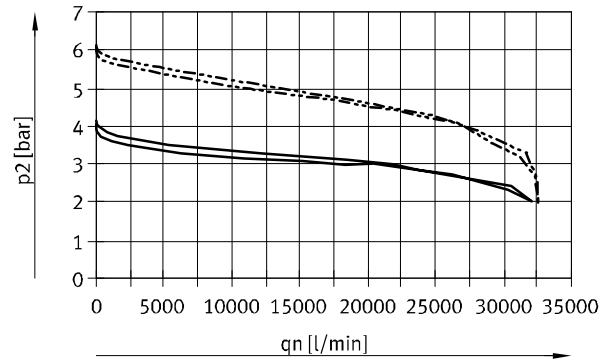
Directly actuated diaphragm regulator DI

Pneumatic connection NPT $\frac{3}{4}$ -14



— D5: 0.5 ... 4 bar
- - - D6: 0.5 ... 7 bar

Pneumatic connection NPT1-11 $\frac{1}{2}$



Pressure regulators MS9-LR, MS series, NPT

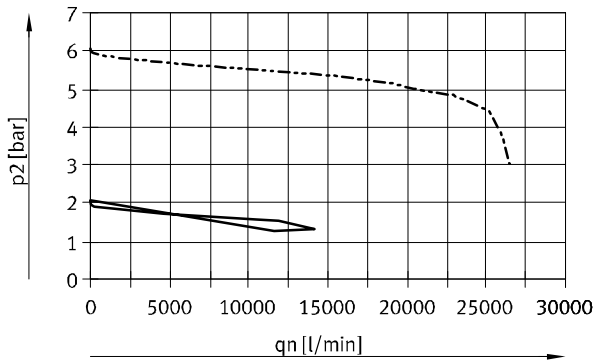
Technical data

FESTO

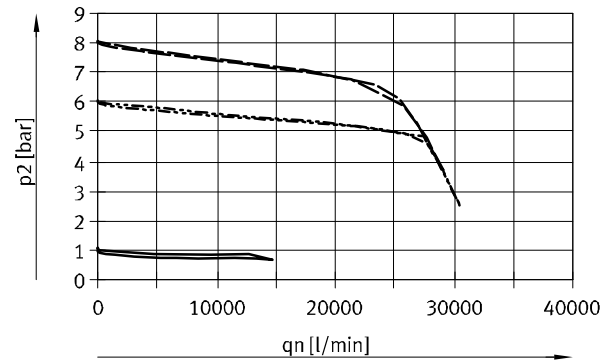
Standard flow rate q_n as a function of output pressure p_2 at operating pressure $p_1 = 10$ bar

External pilot regulator, pressure regulation range/operation PO

Pneumatic connection NPT $\frac{3}{4}$ -14



Pneumatic connection NPT1-11 $\frac{1}{2}$

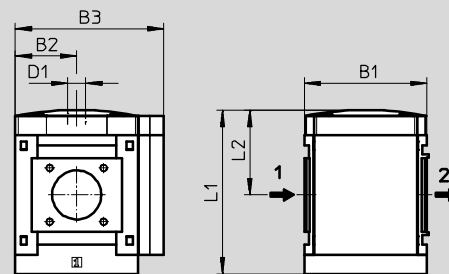
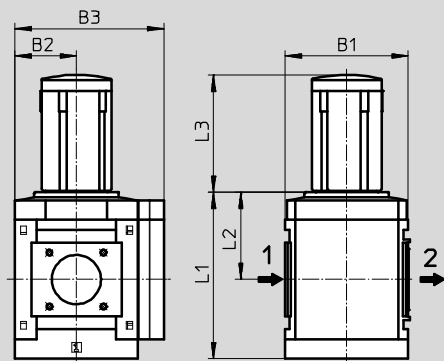


Dimensions – Basic version

Download CAD data → www.festo.com

Pressure regulation range/operation D5/D6/D7/D8, manually operated, without connecting thread NG, cover plate VS, rotary knob with detent

Pressure regulation range/operation PO, pneumatically actuated, without connecting thread NG, cover plate VS



→ Flow direction

Type	B1	B2	B3	D1	L1		L2		L3
					Piloted	Directly actuated DI	Piloted	Directly actuated DI	
MS9-LR-NG-D5/D6/D7/D8	90	45	109	–	129	122	71.4	64	86
MS9-LR-NG-PO				G $\frac{1}{4}$	120	–	62	–	–

Pressure regulators MS9-LR, MS series, NPT

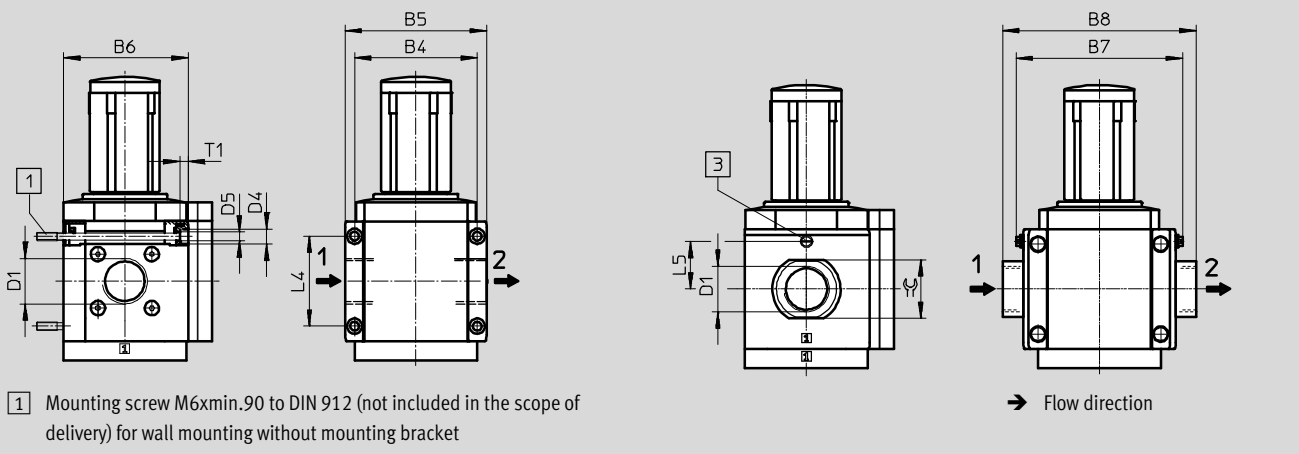
Technical data

Dimensions – Connecting thread/connecting plate

Download CAD data → www.festo.com

With connecting thread N $\frac{3}{4}$ or N1

With connecting plate AQ...



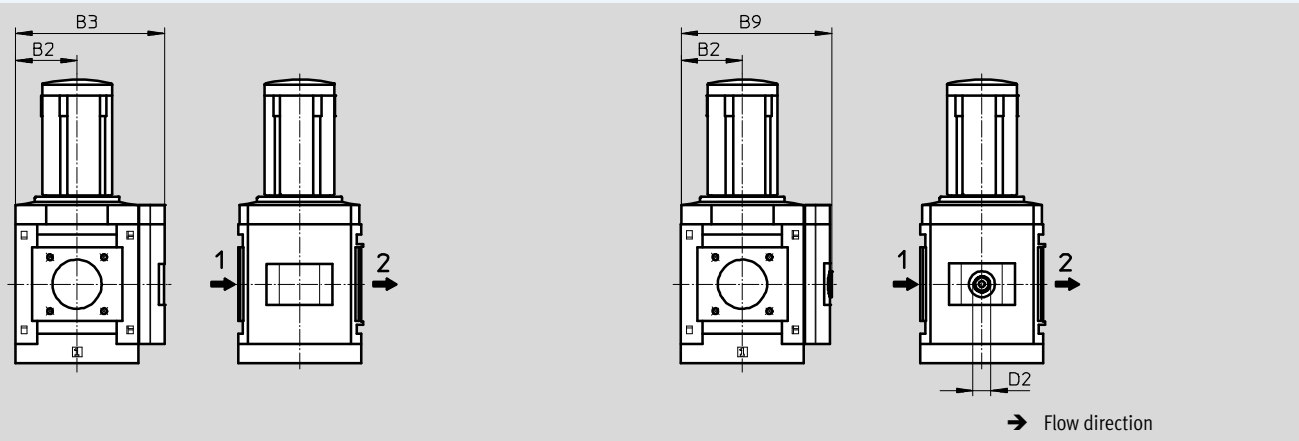
Type	B4	B5	B6	B7	B8	D1	D4	D5	L4	T1	⌀
MS9-LR-N $\frac{3}{4}$	90	104	91.5	-	-	NPT $\frac{3}{4}$ -14	11	6.5	66	6	-
MS9-LR-N1						NPT1-11 $\frac{1}{2}$					
MS9-LR-AQR	-	-	-	112	132	NPT $\frac{1}{2}$ -14	-	-	-	-	30
MS9-LR-AQS					132	NPT $\frac{3}{4}$ -14					36
MS9-LR-AQT					142	NPT1-11 $\frac{1}{2}$					41
MS9-LR-AQU					162	NPT1 $\frac{1}{4}$ -11 $\frac{1}{2}$					50
MS9-LR-AQV					176	NPT1 $\frac{1}{2}$ -11 $\frac{1}{2}$					55

Dimensions – Pressure gauge alternatives

Download CAD data → www.festo.com

Integrated MS pressure gauge with standard scale AG or red/green scale RG

Adapter plate A4 for EN pressure gauge $\frac{1}{4}$, without pressure gauge



Type	B2	B3	B9	D2
MS9-LR-...-AG/RG	45	109	-	-
MS9-LR-...-A4		-	110	G $\frac{1}{4}$

Pressure regulators MS9-LR, MS series, NPT

Technical data

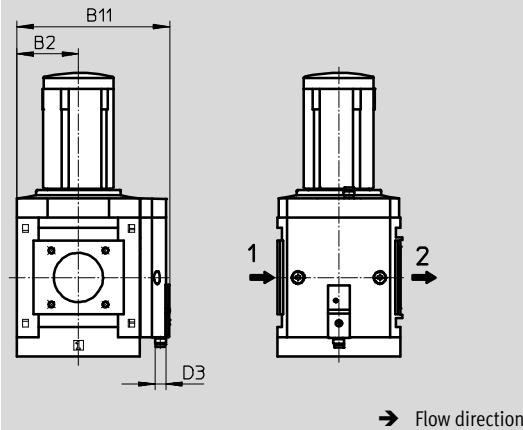
FESTO

Dimensions – Pressure gauge alternatives

Download CAD data → www.festo.com

Pressure sensor without LCD display (operational status indicator only) AD7 ... AD10

Technical data → Internet: sde5



Variant AD7:
SDE5-D10-O-...-P-M8 with 3-pin plug M8x1, threshold value comparator, 1 switching output PNP, N/O contact

Variant AD9:
SDE5-D10-O3-...-P-M8 with 3-pin plug M8x1, window comparator, 1 switching output PNP, N/O contact

Variant AD8:
SDE5-D10-C-...-P-M8 with 3-pin plug M8x1, threshold value comparator, 1 switching output PNP, N/C contact

Variant AD10:
SDE5-D10-C3-...-P-M8 with 3-pin plug M8x1, window comparator, 1 switching output PNP, N/C contact

Type	B2	B11	D3
MS9-LR-...-AD7/AD8/AD9/AD10	45	112	M8

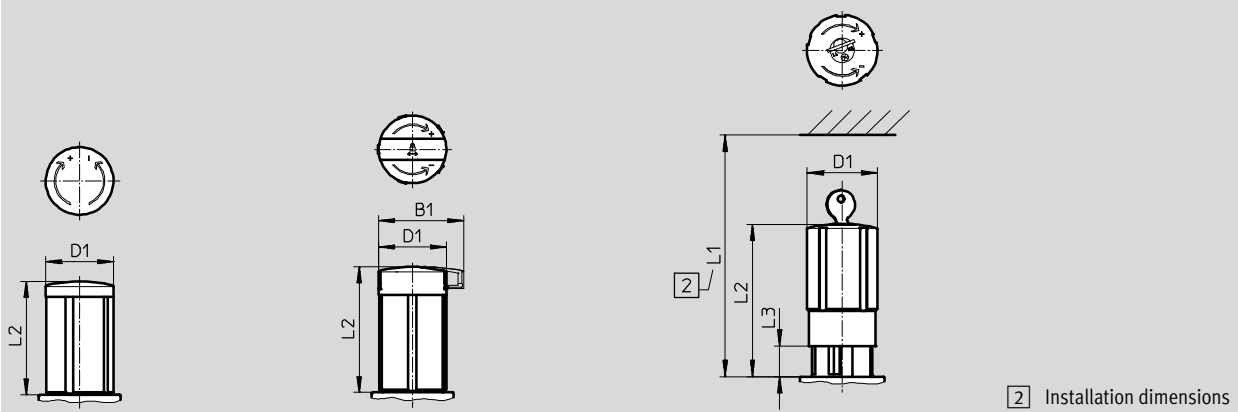
Dimensions – Rotary knob

Download CAD data → www.festo.com

Rotary knob with detent

Rotary knob with detent, can be locked using accessories AS

Rotary knob with integrated lock E11



Type	B1	D1	L1	L2	L3
MS9-LR	–	52	–	86	–
MS9-LR-...-AS	65	52	–	96	–
MS9-LR-...-E11	–	52	174	114	25

Ordering data

Integrated pressure gauge, display unit [psi], rotary knob with detent, can be locked using accessories

Size	Connection	Pressure regulation range 0.5 ... 4 bar, manually actuated		Pressure regulation range 0.5 ... 7 bar, manually actuated	
		Part No.	Type	Part No.	Type
Directly actuated diaphragm regulator					
MS9	–	564140	MS9-LR-NG-D5-DI-AG-PSI-AS	564142	MS9-LR-NG-D6-DI-AG-PSI-AS

Pressure regulators MS9-LR, MS series, NPT

Ordering data – Modular products

[M] Mandatory data						[O] Options	[M]
Module No.	Series	Size	Function	Connection size	Pressure range/operation	Regulator type	Pressure gauge/pressure gauge alternatives
562530	MS	9	LR	N $\frac{3}{4}$, N1, AQR, AQS, AQT, AQU, AQV, NG	D5, D6, D7, D8, PO	DI	AG, VS, A4, RG, AD7 ... AD10
Ordering example							
562530	MS	9	- LR	- NG	- D5	-	- AG

Ordering table		Grid dimension [mm]	90	Condi-tions	Code	Enter code
[M] Module No.	562530					
Series	Standard				MS	MS
Size	9				9	9
Function	Pressure regulator				-LR	-LR
Connection size	Thread NPT $\frac{3}{4}$				-N$\frac{3}{4}$	
	Thread NPT1				-N1	
	Connecting plate NPT $\frac{1}{2}$				-AQR	
	Connecting plate NPT $\frac{3}{4}$				-AQS	
	Connecting plate NPT1				-AQT	
	Connecting plate NPT1 $\frac{1}{4}$				-AQU	
	Connecting plate NPT1 $\frac{1}{2}$				-AQV	
	Module without connecting thread, without connecting plate				-NG	
Pressure range/operation	0.5 ... 4 bar, manually operated				-D5	
	0.5 ... 7 bar, manually operated				-D6	
	0.5 ... 12 bar, manually operated				-D7	
	0.5 ... 16 bar, manually operated				-D8	
	Max. 16 bar, pneumatically actuated (pressure range defined by means of pilot regulator)			1	-PO	
[O] Regulator type	Directly actuated			2	-DI	
[M] Pressure gauge/pressure gauge alternatives	MS pressure gauge				-AG	
	Cover plate				-VS	
	Adapter plate for EN pressure gauge $\frac{1}{4}$, without pressure gauge				-A4	
	Integrated pressure gauge, red/green scale			3	-RG	
	Pressure sensor without display, plug M8, threshold value comparator, PNP, N/O contact			4	-AD7	
	Pressure sensor without display, plug M8, threshold value comparator, PNP, N/C contact			4	-AD8	
	Pressure sensor without display, plug M8, window comparator, PNP, N/O contact			4	-AD9	
	Pressure sensor without display, plug M8, window comparator, PNP, N/C contact			4	-AD10	

1 PO Not with regulator type DI
Not with security AS, E11

2 DI Not with pressure range D7, D8
3 RG Not with alternative pressure gauge scale PSI,
PSI scale serves only as an auxiliary scale

4 AD7 ... AD10 Measuring range max. 10 bar

Transfer order code

562530	MS	9	- LR	-	-	-	-	-
--------	----	---	------	---	---	---	---	---

Pressure regulators MS9-LR, MS series, NPT

FESTO

Ordering data – Modular products

Options						
Alternative pressure gauge scale	Secondary venting	Alternative mounting position	Security	Type of mounting	UL certification	Alternative flow direction
PSI, MPA, BAR	OS	KD	AS, E11	WP, WPM, WPB	UL1	Z
- BAR	-	-	- AS	-	-	-

Ordering table					
Grid dimension	[mm]	90	Condi- tions	Code	Enter code
0	Alternative pressure gauge scale	Psi	5	-PSI	
		MPa	5	-MPA	
		Bar	5	-BAR	
	Secondary venting	Without secondary venting	6	-OS	
	Alternative mounting position	Rotary knob underneath (connection underneath with PO)		-KD	
	Security	Can be locked using accessories		-AS	
		With integrated lock		-E11	
	Type of mounting	Mounting bracket	7	-WP	
		Mounting bracket	7	-WPM	
		Mounting bracket for large wall gap	7	-WPB	
	UL certification	cULus, ordinary location for Canada and USA		-UL1	
	Alternative flow direction	Flow direction from right to left		-Z	

5 **PSI, MPA, BAR** Not with pressure gauge alternatives VS, A4, AD7, AD8, AD9, AD10

6 **OS** Only with regulator type DI
7 **WP, WPM, WPB** Not with module NG


Transfer order code


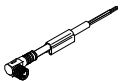
- - - - - - -



Pressure regulators MS-LR, MS series, NPT


FESTO


Accessories

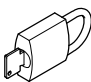
Ordering data – Pressure gauge MA					
	Nominal size	Pneumatic connection	Indicating range		Part No. Type
			[bar]	[psi]	
	Pressure gauge MA, EN 837-1				Technical data → Internet: ma
	40	R $\frac{1}{4}$	0 ... 16	0 ... 232	187080 MA-40-16-R $\frac{1}{4}$ -EN
		G $\frac{1}{4}$	0 ... 16	0 ... 232	183901 MA-40-16-G $\frac{1}{4}$ -EN
	Pressure gauge MA, EN 837-1, with red/green range				Technical data → Internet: ma
	40	R $\frac{1}{8}$	0 ... 16	–	525726 MA-40-16-R $\frac{1}{8}$ -E-RG
	50	R $\frac{1}{4}$	0 ... 16	–	525729 MA-50-16-R $\frac{1}{4}$ -E-RG
Precision pressure gauge MAP, EN 837-1				Technical data → Internet: map	
40	R $\frac{1}{8}$	0 ... 1	0 ... 15	161126 MAP-40-1- $\frac{1}{8}$ -EN	
		0 ... 4	0 ... 58	162842 MAP-40-4- $\frac{1}{8}$ -EN	
		0 ... 6	0 ... 87	161127 MAP-40-6- $\frac{1}{8}$ -EN	
		0 ... 16	0 ... 232	161128 MAP-40-16- $\frac{1}{8}$ -EN	

Ordering data – Connecting cable NEBU-M8					Technical data → Internet: nebu
	Electrical connection	Number of wires	Cable length [m]	Part No.	Type
	M8x1, straight socket	3	2.5	541333	NEBU-M8G3-K-2.5-LE3
			5	541334	NEBU-M8G3-K-5-LE3
	M8x1, angled socket	3	2.5	541338	NEBU-M8W3-K-2.5-LE3
			5	541341	NEBU-M8W3-K-5-LE3

Ordering data – Connecting cable NEBU-M12					Technical data → Internet: nebu
	Electrical connection	Number of wires	Cable length [m]	Part No.	Type
	M12x1, straight socket	4	2.5	550326	NEBU-M12G5-K-2.5-LE4
			5	541328	NEBU-M12G5-K-5-LE4
		5	2.5	541330	NEBU-M12G5-K-2.5-LE5
			5	541331	NEBU-M12G5-K-5-LE5
	M12x1, angled socket	4	2.5	550325	NEBU-M12W5-K-2.5-LE4
			5	541329	NEBU-M12W5-K-5-LE4

Ordering data – Sensor socket SIE-GD			Technical data → Internet: sie-gd
	Electrical connection	Part No.	Type
	M12x1, 4-pin	18494	SIE-GD

Ordering data – Angled plug socket SIE-WD			Technical data → Internet: sie-wd
	Electrical connection	Part No.	Type
	M12x1, 4-pin	12956	SIE-WD-TR

Ordering data – Padlock LRVS-D		
	Weight [g]	Part No. Type
	120	193786 LRVS-D

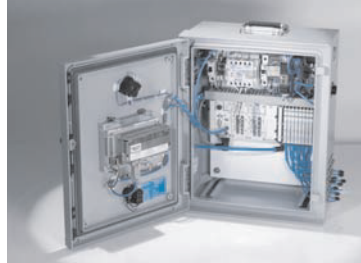
Product Range and Company Overview

A Complete Suite and Company Overview

Our experienced engineers provide complete support at every stage of your development process, including: conceptualization, analysis, engineering, design, assembly, documentation, validation, and production.



Custom Automation Components
Complete custom engineered solutions



Custom Control Cabinets
Comprehensive engineering support and on-site services



Complete Systems
Shipment, stocking and storage services

The Broadest Range of Automation Components

With a comprehensive line of more than 30,000 automation components, Festo is capable of solving the most complex automation requirements.



Electromechanical
Electromechanical actuators, motors, controllers & drivers



Pneumatics
Pneumatic linear and rotary actuators, valves, and air supply



PLCs and I/O Devices
PLC's, operator interfaces, sensors and I/O devices

Supporting Advanced Automation... As No One Else Can!

Festo is a leading global manufacturer of pneumatic and electromechanical systems, components and controls for industrial automation, with more than 16,000 employees in 60 national headquarters serving more than 180 countries. For more than 80 years, Festo has continuously elevated the state of manufacturing with innovations and optimized motion control solutions that deliver higher performing, more profitable automated manufacturing and processing equipment. Our dedication to the advancement of automation extends beyond technology to the education and development of current and future automation and robotics designers with simulation tools, teaching programs, and on-site services.

Quality Assurance, ISO 9001 and ISO 14001 Certifications

Festo Corporation is committed to supply all Festo products and services that will meet or exceed our customers' requirements in product quality, delivery, customer service and satisfaction.

To meet this commitment, we strive to ensure a consistent, integrated, and systematic approach to management that will meet or exceed the requirements of the ISO 9001 standard for Quality Management and the ISO 14001 standard for Environmental Management.

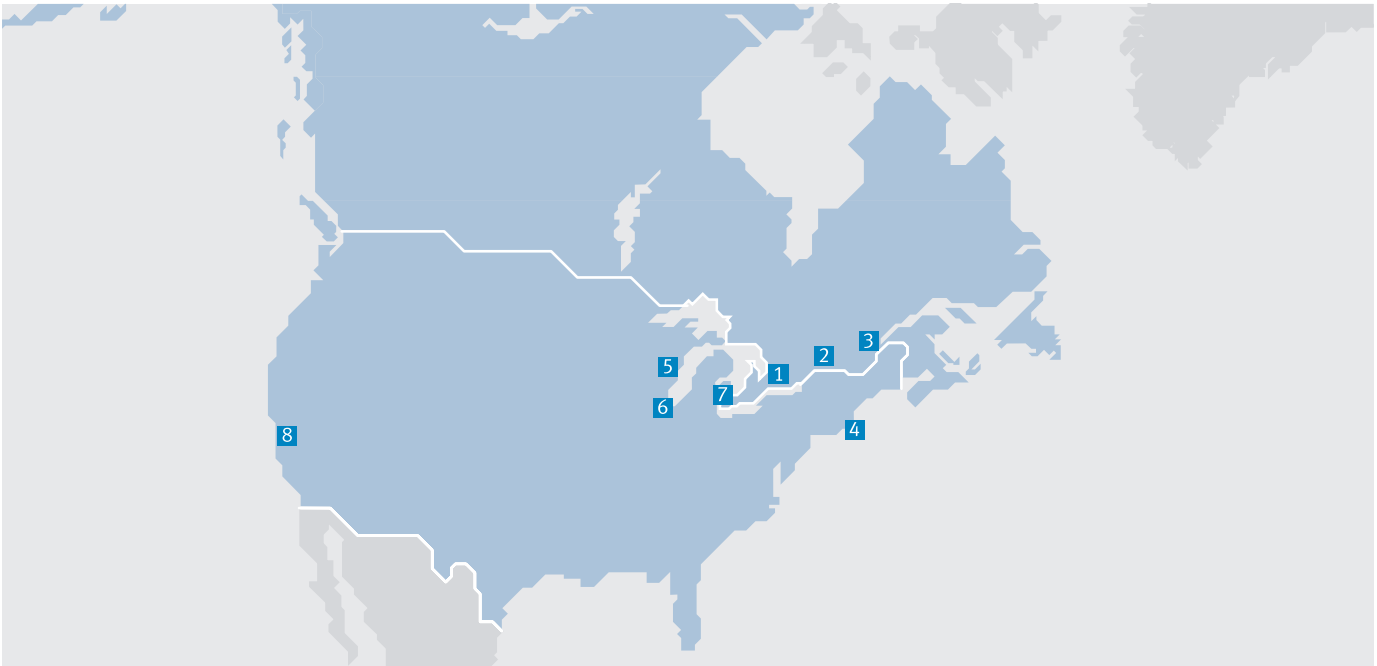


© Copyright 2013, Festo Corporation. While every effort is made to ensure that all dimensions and specifications are correct, Festo cannot guarantee that publications are completely free of any error, in particular typing or printing errors. Accordingly, Festo cannot be held responsible for the same. For Liability and Warranty conditions, refer to our "Terms and Conditions of Sale", available from your local Festo office. All rights reserved. No part of this publication may be reproduced, distributed, or transmitted in any form or by any means, electronic, mechanical, photocopying or otherwise, without the prior written permission of Festo. All technical data subject to change according to technical update.



Printed on recycled paper at New Horizon Graphic, Inc., FSC certified as an environmental friendly printing plant.

Festo North America



**1 Festo Canada
Headquarters
Festo Inc.**
5300 Explorer Drive
Mississauga, ON
L4W 5G4

2 Montréal
5600, Trans-Canada
Pointe-Claire, QC
H9R 1B6

3 Québec City
2930, rue Watt#117
Québec, QC
G1X 4G3



**4 Festo United States
Headquarters
Festo Corporation**
395 Moreland Road
Hauppauge, NY
11788

5 Appleton
North 922 Tower View Drive, Suite N
Greenville, WI
54942

7 Detroit
1441 West Long Lake Road
Troy, MI
48098

6 Chicago
85 W Algonquin - Suite 340
Arlington Heights, IL
60005

8 Silicon Valley
4935 Southfront Road, Suite F
Livermore, CA
94550

Festo Regional Contact Center

Canadian Customers

Commercial Support:
Tel: 1 877 GO FESTO (1 877 463 3786)
Fax: 1 877 FX FESTO (1 877 393 3786)
Email: festo.canada@ca.festo.com

Technical Support:
Tel: 1 866 GO FESTO (1 866 463 3786)
Fax: 1 877 FX FESTO (1 877 393 3786)
Email: technical.support@ca.festo.com

USA Customers

Commercial Support:
Tel: 1 800 99 FESTO (1 800 993 3786)
Fax: 1 800 96 FESTO (1 800 963 3786)
Email: customer.service@us.festo.com

Technical Support:
Tel: 1 866 GO FESTO (1 866 463 3786)
Fax: 1 800 96 FESTO (1 800 963 3786)
Email: product.support@us.festo.com