

Water separators MS-LWS, MS series, NPT

FESTO

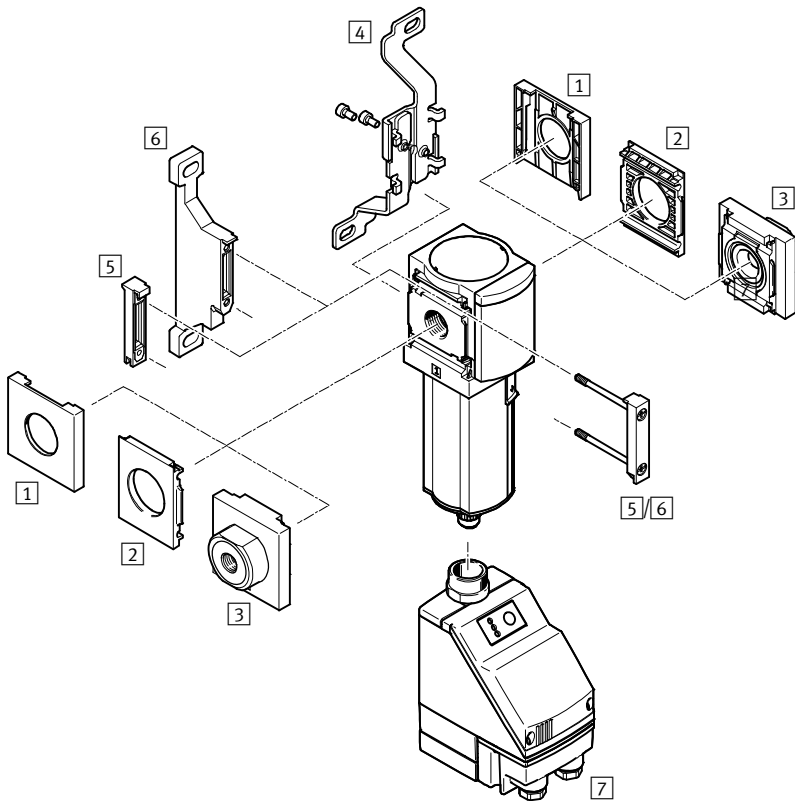


Water separators MS6N-LWS, MS series, NPT

Peripherals overview

FESTO

Water separator MS6N-LWS



Note

Additional accessories:

- Module connector for combination with size MS4/MS6 or size MS9 → Internet: amv, rmv, armv
- Adapter for mounting on profiles → Internet: ipm-80, ipm-40-80, ipm-80-80

Mounting attachments and accessories

		Individual device		Combination		→ Page/Internet
		Without connecting plate	With connecting plate	Without connecting plate	With connecting plate	
1	Cover cap MS6-END	■	-	■	-	ms6-end
2	Mounting plate MS6-AEND	■ ¹⁾	-	■ ¹⁾	-	ms6-aend
3	Connecting plate-SET MS6N-AQ...	-	■ ¹⁾	-	■ ¹⁾	ms6n-aq
4	Mounting bracket MS6-WB	■	■	-	-	ms6-wb
5	Module connector MS6-MV	-	■	■	■	ms6-mv
6	Mounting bracket MS6-WP	■	■	■	■	ms6-wp
	Mounting bracket (not illustrated) MS6-WPB/WPE/WPM	■	■	■	■	ms6-wp
7	Fully automatic, electrically actuated condensate drain E2/E3/E4	■	■	■	■	7

1) Module connector MS6-MV [5] or mounting bracket MS6-WP/WPB/WPE/WPM [6] is required for mounting.

Water separators MS6N-LWS, MS series, NPT

Type codes

		MS	6	N	-	LWS	-	1/4	-	U	-	V
Series												
MS	Standard service unit											
Size												
6	Grid dimension 62 mm											
Thread												
N	NPT thread											
Service function												
LWS	Water separator											
Pneumatic connection												
1/4	Thread NPT1/4-18											
3/8	Thread NPT3/8-18											
1/2	Thread NPT1/2-14											
Bowl guard												
U	Integrated as metal bowl											
Condensate drain												
V	Fully automatic											

Further variants can be ordered using the modular system → 7

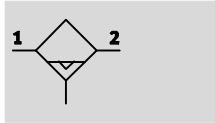
- Connecting plates
- Condensate drain
- Type of mounting
- Alternative flow direction

Water separators MS6N-LWS, MS series, NPT

FESTO

Technical data

Condensate drain,
fully automatic



- - Flow rate
2,400 ... 3,800 l/min
- - Temperature range
+1 ... +60 °C
- - Supply pressure
0.8 ... 16 bar



The maintenance-free water separator removes condensate from the compressed air.

- Constantly high condensate separation (99%) up to the maximum flow rate
- Metal bowl
- Available with fully automatic or fully automatic, electrically actuated condensate drain

General technical data				
Size	MS6			
Pneumatic connection 1, 2	NPT $\frac{1}{4}$ -18	NPT $\frac{3}{8}$ -18	NPT $\frac{1}{2}$ -14	NPT $\frac{1}{4}$ -18 ... NPT $\frac{3}{4}$ -14 (with connecting plate AQ...)
Constructional design	Centrifugal separator			
Type of mounting	Via accessories In-line installation			
Mounting position	Vertical $\pm 5^\circ$			
Air purity class at the output	Compressed air in accordance with ISO 8573-1:2010 [7:7:4] (with variant E2, E3 or E4: [-:7:4])			
Bowl guard	Integrated as metal bowl			
Condensate drain	Fully automatic Fully automatic, electrically actuated			
Degree of condensate separation [%]	99			
Max. condensate volume [ml]	38			

Standard nominal flow rate $q_{nN}^{1)}$			
Size	MS6		
Pneumatic connection	NPT $\frac{1}{4}$ -18	NPT $\frac{3}{8}$ -18	NPT $\frac{1}{2}$ -14
q_{nN} [l/min]	2,400	3,500	3,800

1) Measured at $p_1 = 6$ bar and $\Delta p = 1$ bar

Operating and environmental conditions		
Condensate drain	Fully automatic V	Fully automatic, electrical E2/E3/E4
Size	MS6	MS6
Operating pressure [bar]	2 ... 12	0.8 ... 16
Operating medium	Compressed air in accordance with ISO 8573-1:2010 [7:-:-] Inert gases	Compressed air in accordance with ISO 8573-1:2010 [-:-:-]
Ambient temperature [°C]	+5 ... +60	+1 ... +60
Temperature of medium [°C]	+5 ... +60	+1 ... +60
Storage temperature [°C]	-10 ... +60	+1 ... +60
Corrosion resistance class CRC ¹⁾	2	

1) Corrosion resistance class CRC 2 to Festo standard FN 940070
Moderate corrosion stress. Indoor applications in which condensation may occur. External visible parts with primarily decorative requirements for the surface and which are in direct contact with the ambient atmosphere typical for industrial applications.

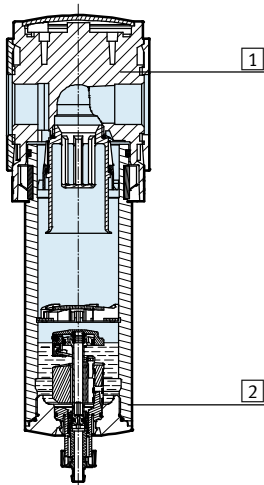
Water separators MS6N-LWS, MS series, NPT

Technical data

Weight [g]	
Size	MS6
Water separator	820
Water separator with fully automatic, electrically actuated condensate drain E2/E3/E4	1,800

Materials

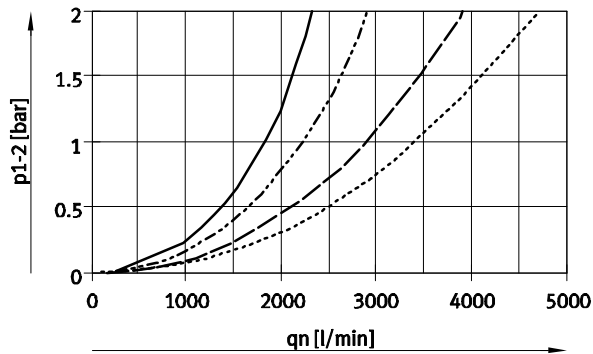
Sectional view



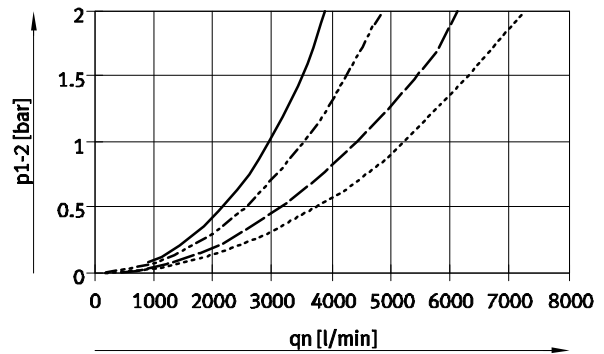
Water separator		
1	Housing	Die-cast aluminium
2	Bowl	Wrought aluminium alloy
	Inspection window	PA
-	Seals	NBR
Note on materials		RoHS-compliant (not with variant E2, E3 or E4) Free of copper and PTFE

Standard flow rate q_n as a function of differential pressure p_{1-2}

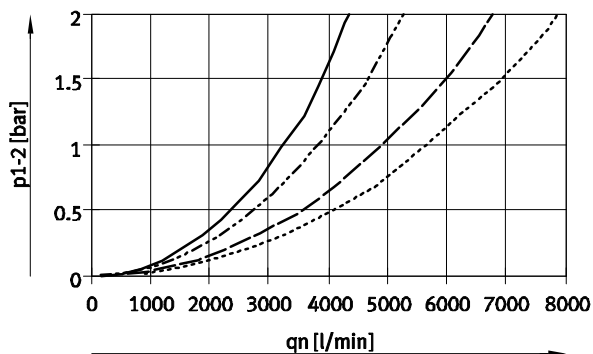
MS6N-LWS-1/4



MS6N-LWS-3/8



MS6N-LWS-1/2



- 4 bar
- - - 6 bar
- 10 bar
- - - 14 bar

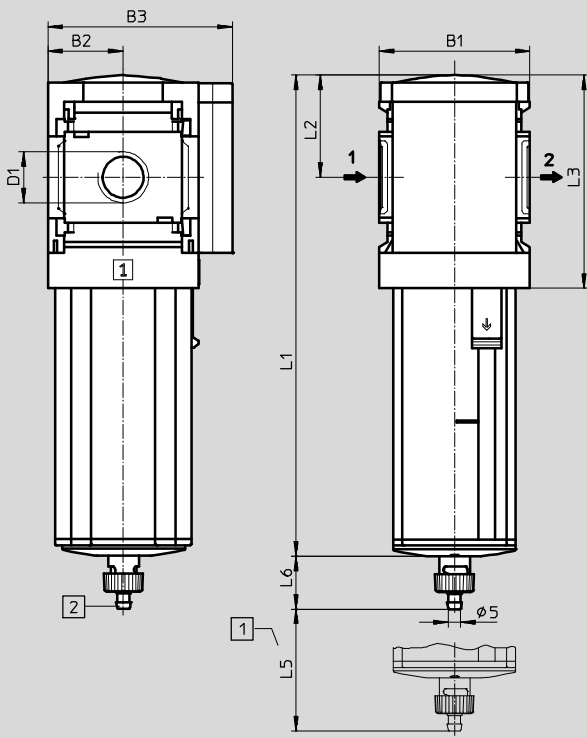
Water separators MS6N-LWS, MS series, NPT

Technical data

Dimensions – Standard

Download CAD data → www.festo.com

Fully automatic condensate drain V



- 1 Installation dimensions
- 2 Barbed connector for plastic tubing PCN-4

→ Flow direction

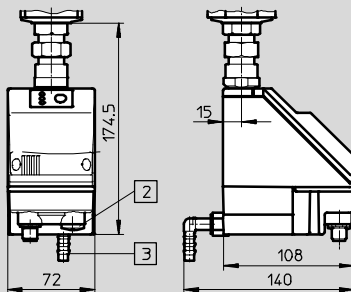
Type	B1	B2	B3	D1	L1	L2	L3	L5	L6
MS6N-LWS-1/4-...-V	62	31	76	NPT1/4-18	198	42	87	68	22
MS6N-LWS-3/8-...-V				NPT3/8-18					
MS6N-LWS-1/2-...-V				NPT1/2-14					

Dimensions – Condensate drain

Download CAD data → www.festo.com

Fully automatic, electrically actuated E2/E3/E4

Technical data → [Internet: pwea](http://internet:pwea)



Condensate drain PWEA:

- 2 Electrical connection: Screw terminal PG9
- 3 Connection 360° rotatable for plastic tubing PUN-H-12x2

Ordering data

Size	Condensate drain	Connection	Part No.	Type
Integrated as metal bowl				
MS6	Fully automatic	NPT1/4-18	564871	MS6N-LWS-1/4-U-V
		NPT3/8-18	564872	MS6N-LWS-3/8-U-V
		NPT1/2-14	564873	MS6N-LWS-1/2-U-V

Water separators MS6N-LWS, MS series, NPT

Ordering data – Modular products

M Mandatory data								O Options		
Module No.	Series	Size	Thread	Function	Connection size	Bowl guard	Condensate drain	Type of mounting	Flow direction	
564898	MS	6	N	LWS	1/4, 3/8, 1/2, AQN, AQP, AQR, AQS	U	V, E2, E3, E4	WP, WPM, WB	Z	
Ordering example										
564898	MS	6	N	- LWS	- AQN	- U	- V	- WP		

Ordering table		Grid dimension	[mm]	62	Conditions	Code	Enter code
M	Module No.	564898					
	Series	Standard				MS	MS
	Size	6				6	6
	Thread	NPT thread				N	N
	Function	Water separator				-LWS	-LWS
	Connection size	Thread NPT1/4				-1/4	
		Thread NPT3/8				-3/8	
		Thread NPT1/2				-1/2	
		Connecting plate NPT1/4				-AQN	
		Connecting plate NPT3/8				-AQP	
		Connecting plate NPT1/2				-AQR	
		Connecting plate NPT3/4				-AQS	
	Bowl guard	Metal bowl				-U	-U
	Condensate drain	Fully automatic (P1 max. 12 bar)				-V	
		External fully automatic condensate drain, electrical, 110 V AC, terminals (P1 max. 16 bar)				-E2	
		External fully automatic condensate drain, electrical, 230 V AC, terminals (P1 max. 16 bar)				-E3	
		External fully automatic condensate drain, electrical, 24 V DC, terminals (P1 max. 16 bar)				-E4	
O	Type of mounting	Mounting bracket			1	-WP	
		Mounting bracket			1	-WPM	
		Mounting bracket				-WB	
	Alternative flow direction	Flow direction from right to left				-Z	

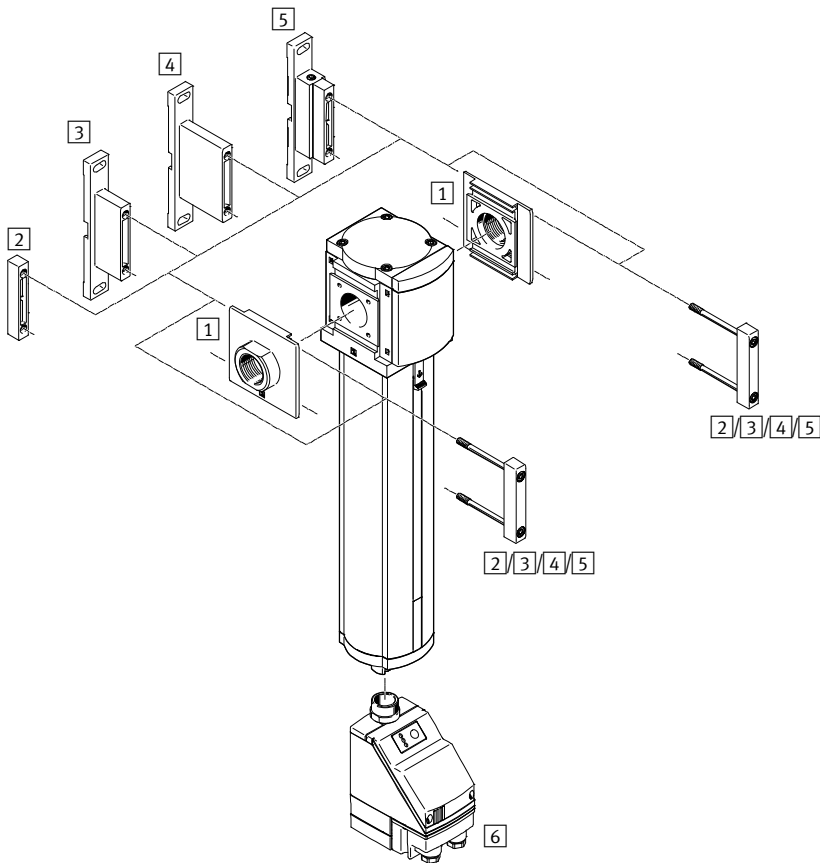
1 WP, WPM Only with connecting plate AQN, AQP, AQR or AQS

Transfer order code

564898	MS	6	N	- LWS	-	- U	-	-	-
--------	----	---	---	-------	---	-----	---	---	---

Water separators MS9-LWS, MS series, NPT

Peripherals overview



Note

Additional accessories:

- Module connector for combinations with size MS6, MS9 or MS12

→ Internet: rmv, armv

Mounting attachments and accessories				
	Individual device	Combination		→ Page/ Internet
		With female thread N $\frac{3}{4}$ or N1	With connecting plate AQ... Module without connecting thread, without connecting plate G	
1	Connecting plate-SET MS9-AQ...	-	■	ms9-aq
2	Module connector MS9-MV	-	■	ms9-mv
3	Mounting bracket MS9-WP	■	■	ms9-wp
4	Mounting bracket MS9-WPB	■	■	ms9-wp
5	Mounting bracket MS9-WPM	■	■	ms9-wp
6	Condensate drain, fully automatic, electrically actuated E2/E3/E4	■	■	14

Water separators MS9-LWS, MS series, NPT

Type codes

		MS	9	-	LWS	-	G	-	U	-	V
Series											
MS	Standard service unit										
Size											
9	Grid dimension 90 mm										
Service function											
LWS	Water separator										
Connection size											
G	Module without connecting thread, without connecting plate										
Bowl guard											
U	Integrated as metal bowl										
Condensate drain											
V	Fully automatic										

Additional variants can be ordered using the modular product system → 14

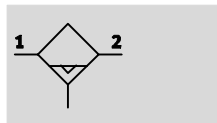
- Connecting plates
- Condensate drain
- Type of mounting
- UL certification
- Alternative flow direction




Water separators MS9-LWS, MS series, NPT

FESTO

Technical data

Condensate drain,
fully automatic



-  - Flow rate
12,000 ... 15,000 l/min
-  - Temperature range
+1 ... +60 °C
-  - Operating pressure
0.8 ... 16 bar



The water separator removes condensate from the compressed air.

- Constantly high condensate separation (99%) up to the maximum flow rate
- Available with fully automatic or fully automatic, electrically actuated condensate drain
- Metal bowl

General technical data				
Size	MS9			
Pneumatic connection 1, 2	NPT $\frac{3}{4}$ -14	NPT1-1 $\frac{1}{2}$	NPT $\frac{1}{2}$ -14 ... NPT1 $\frac{1}{2}$ -11 $\frac{1}{2}$ (with connecting plate AQ...)	- (without connecting thread G)
Design	Centrifugal separator			
Type of mounting	Via accessories In-line installation			
Mounting position	Vertical $\pm 5^\circ$			
Air purity class at the output	Compressed air to ISO 8573-1:2010 [-:7:4]			
Bowl guard	Integrated as metal bowl			
Condensate drain	Fully automatic Fully automatic, electrically actuated			
Degree of condensate separation [%]	99			
Max. condensate volume [ml]	220			

Standard nominal flow rate $q_{nN}^{1)}$ [l/min]				
Pneumatic connection	Thread NPT $\frac{3}{4}$ -14 or connecting plate AQS	Thread NPT1-1 $\frac{1}{2}$ or connecting plate AQT	Without connecting thread G	
q_{nN} [l/min]	12,000 $\pm 15\%$	15,000 $\pm 15\%$	15,000 $\pm 15\%$	

1) Measured at $p_1 = 6$ bar and $\Delta p = 1$ bar

Water separators MS9-LWS, MS series, NPT

Technical data

FESTO

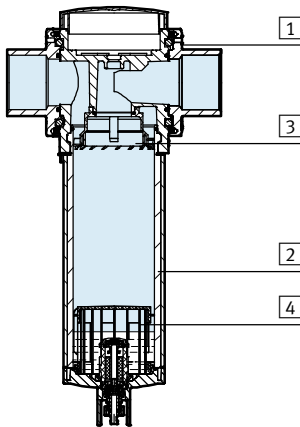
Operating and environmental conditions		
Condensate drain	Fully automatic V	Fully automatic, electrically actuated E2/E3/E4
Operating pressure [bar]	2 ... 12	0.8 ... 16
Operating medium	Compressed air to ISO 8573-1:2010 [-:-:-]	
Ambient temperature [°C]	+5 ... +60	+1 ... +60
Temperature of medium [°C]	+5 ... +60	+1 ... +60
Storage temperature [°C]	+5 ... +60	+1 ... +60
Corrosion resistance class CRC ¹⁾	2	
Certification (variant UL1)	cULus recognized (OL)	

1) Corrosion resistance class CRC 2 to Festo standard FN 940070
Moderate corrosion stress. Indoor applications in which condensation may occur. External visible parts with primarily decorative requirements for the surface and which are in direct contact with the ambient atmosphere typical for industrial applications.

Weight [g]	
Water separator	2,000
Water separator with condensate drain, fully automatic, electrically actuated E2/E3/E4	2,400

Materials

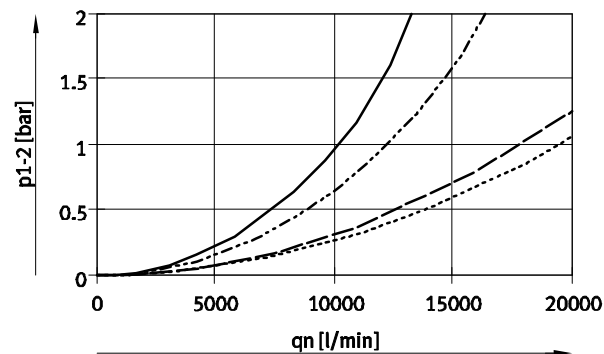
Sectional view



Water separator		
1	Housing	Die-cast aluminium
2	Bowl	Wrought aluminium alloy
	Inspection window	PA
3	Spin disc	POM
4	Isolating disc	POM
-	Cover	PA, reinforced
-	Connecting plate, module connector, mounting bracket	Die-cast aluminium
-	Seals	NBR
Note on materials		RoHS-compliant (not with variant E2, E3 or E4)

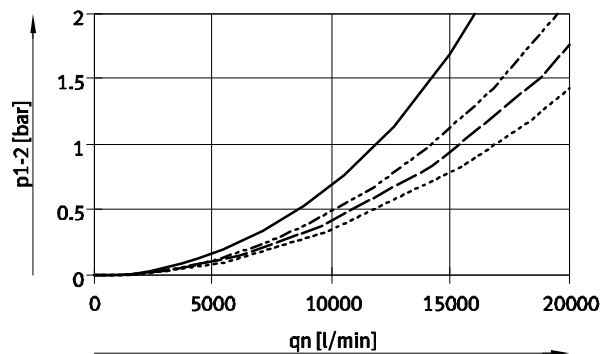
Standard flow rate q_n as a function of differential pressure Δp_{1-2}

MS9-LWS-N $\frac{3}{4}$ /AQS, pneumatic connection NPT $\frac{3}{4}$ -14



— 4 bar - · - · 10 bar
- - - 6 bar · · · · · 12 bar

MS9-LWS-N1/AQT, pneumatic connection NPT1-11 $\frac{1}{2}$



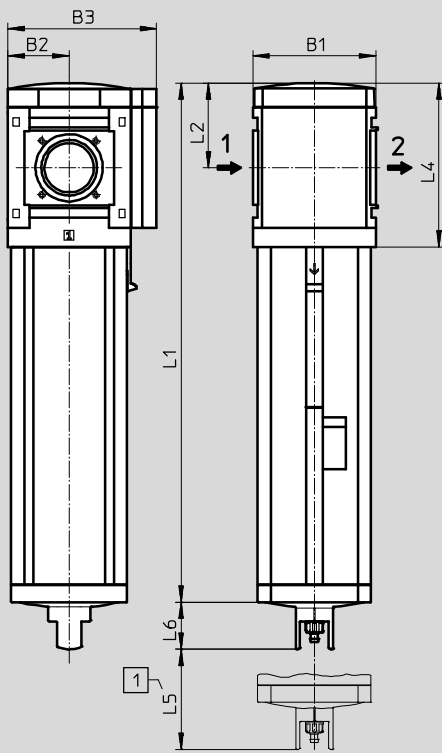
Water separators MS9-LWS, MS series, NPT

Technical data

Dimensions – Basic version

Download CAD data → www.festo.com

Without connecting thread G, fully automatic condensate drain V



1 Installation dimensions

→ Flow direction

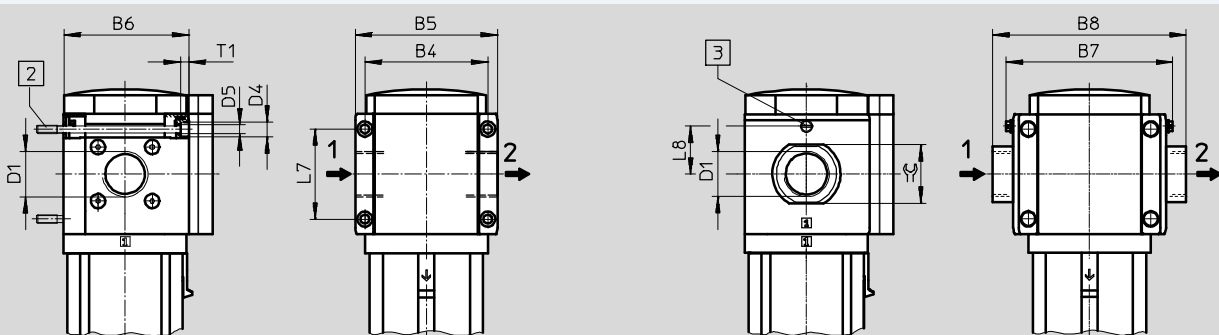
Type	B1	B2	B3	L1	L2	L4	L5	L6
MS9-LWS-G	90	45	109	310.5	62	120	50	34.5

Dimensions – Connecting thread/connecting plate

Download CAD data → www.festo.com

With connecting thread N $\frac{3}{4}$ or N1

With connecting plate AQ...



2 Mounting screw M6xmin.90 to DIN 912 (not included in the scope of delivery) for wall mounting without mounting bracket

→ Flow direction

Type	B4	B5	B6	B7	B8	D1	D4	D5	L7	T1	∅C
MS9-LWS-N $\frac{3}{4}$	90	104	91.5	-	-	NPT $\frac{3}{4}$ -14	11	6.5	66	6	-
MS9-LWS-N1						NPT1-11 $\frac{1}{2}$					
MS9-LWS-AQR	-	-	-	112	132	NPT $\frac{1}{2}$ -14	-	-	-	-	30
MS9-LWS-AQS					132	NPT $\frac{3}{4}$ -14					36
MS9-LWS-AQT					142	NPT1-11 $\frac{1}{2}$					41
MS9-LWS-AQU					162	NPT1 $\frac{1}{4}$ -11 $\frac{1}{2}$					50
MS9-LWS-AQV					176	NPT1 $\frac{1}{2}$ -11 $\frac{1}{2}$					55

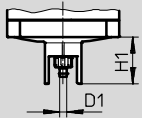
Water separators MS9-LWS, MS series, NPT

Technical data

Dimensions – Condensate drain

Download CAD data → www.festo.com

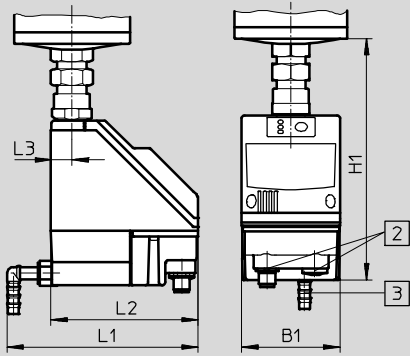
Fully automatic V



Barbed connector for plastic tubing
PCN-4

Fully automatic, electrically actuated E2/E3/E4

Technical data → Internet: pwea



Condensate drain PWEA:

- 2 Electrical connection: Screw terminal PG9
- 3 Connection 360° rotatable for plastic tubing PUN-H-12x2

Type	B1	D1	H1	L1	L2	L3
MS9-LWS-...-V	–	5	34.5	–	–	–
MS9-LWS-...-E2/E3/E4	72	–	178	140	108	15

Ordering data

Size	Condensate drain	Connection	Part No.	Type
MS9	Fully automatic	–	571468	MS9-LWS-G-U-V

Water separators MS9-LWS, MS series, NPT

Ordering data – Modular products

M Mandatory data							O Options			
Module No.	Series	Size	Function	Connection size	Bowl	Condensate drain	Type of mounting	UL certification	Alternative flow direction	
567857	MS	9	LWS	N $\frac{3}{4}$, N1, AQR, AQS, AQT, AQU, AQV, G	U	V, E2, E3, E4	WP, WPM, WPB	UL1	Z	
Ordering example										
567857	MS	9	- LWS	- AQR	- U	- V				

Ordering table		Grid dimension	[mm]	90	Condi- tions	Code	Enter code
M	Module No.	567857					
	Series	Standard				MS	MS
	Size	9				9	9
	Function	Water separator				-LWS	-LWS
	Connection size	Thread NPT $\frac{3}{4}$				-N $\frac{3}{4}$	
		Thread NPT1				-N1	
		Connecting plate NPT $\frac{1}{2}$				-AQR	
		Connecting plate NPT $\frac{3}{4}$				-AQS	
		Connecting plate NPT1				-AQT	
		Connecting plate NPT1 $\frac{1}{4}$				-AQU	
		Connecting plate NPT1 $\frac{1}{2}$				-AQV	
		Module without connecting thread, without connecting plate				-G	
	Bowl	Metal bowl				-U	-U
	Condensate drain	Fully automatic (P1 max. 12 bar)				-V	
		External, fully automatic, electric	110 V AC, terminals (P1 max. 16 bar)			-E2	
			230 V AC, terminals (P1 max. 16 bar)			-E3	
			24 V DC, terminals (P1 max. 16 bar)			-E4	
O	Type of mounting	Mounting bracket			1	-WP	
		Mounting bracket			1	-WPM	
		Mounting bracket for large wall gap			1	-WPB	
	UL certification	cULus, ordinary location for Canada and USA				-UL1	
	Alternative flow direction	Flow direction from right to left				-Z	

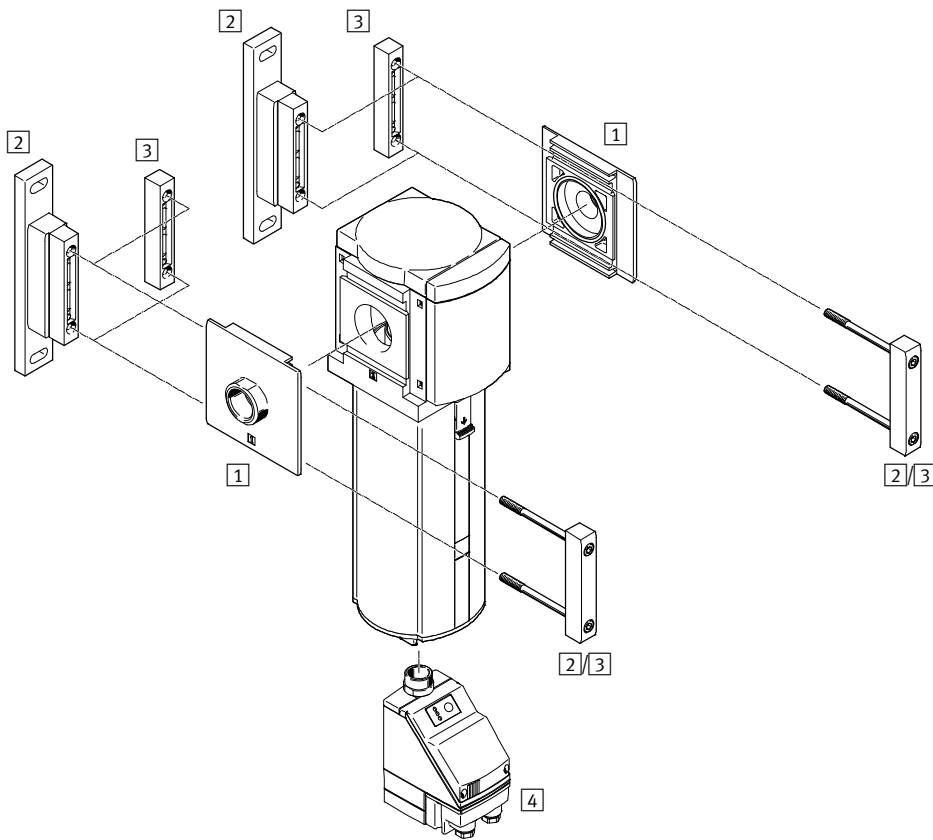
1 WP, WPM, WPB Not with module G


Transfer order code

567857	MS	9	- LWS	-	U	-	-	-
--------	----	---	-------	---	---	---	---	---

Water separators MS12-LWS, MS series, NPT

Peripherals overview



 Note
 Additional accessories:
 – Module connector for combination with size MS9
 → Internet: armv

Mounting attachments and accessories		→ Page/Internet
1	Connecting plate-SET MS12-AQ...	ms12-aq
2	Mounting bracket MS12-WP	ms12-wp
3	Module connector MS12-MV	ms12-mv
4	Fully automatic, electrically actuated condensate drain E2/E3/E4	21

Water separators MS12-LWS, MS series, NPT

Type codes

		MS	12	-	LWS	-	G	-	U	-	V
Series											
MS	Standard service unit										
Size											
12	Grid dimension 124 mm										
Service function											
LWS	Water separator										
Pneumatic connection											
G	Module without connecting thread, without connecting plate										
Bowl guard											
U	Integrated as metal bowl										
Condensate drain											
V	Fully automatic										

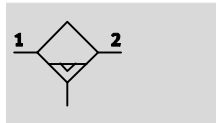
Additional variants can be ordered using the modular product system → 21




- Pneumatic connection
- Condensate drain
- Type of mounting
- Flow direction

Water separators MS12-LWS, MS series, NPT

Technical data

Condensate drain,
fully automatic



-  - Flow rate
25,000 l/min
-  - Temperature range
+1 ... +60 °C
-  - Operating pressure
0.8 ... 16 bar



The water separator removes condensate from the compressed air.

- Constantly high condensate separation (99%) up to the maximum flow rate
- Available with fully automatic or fully automatic, electrically actuated condensate drain
- Metal bowl

General technical data					
Pneumatic connection 1, 2	NPT1 (with connecting plate AQT)	NPT1¼ (with connecting plate AQU)	NPT1½ (with connecting plate AQV)	NPT2 (with connecting plate AQW)	– (module without connecting thread, without connecting plate G)
Design	Centrifugal separator				
Type of mounting	Via accessories In-line installation				
Mounting position	Vertical ±5°				
Air purity class at the output	Compressed air to ISO 8573-1:2010 [–:7:4]				
Bowl guard	Integrated as metal bowl				
Condensate drain	Fully automatic Fully automatic, electrically actuated				
Degree of condensate separation [%]	99				
Max. condensate volume [ml]	400				

Flow rates	
Standard nominal flow rate $q_{nN}^{1)}$ [l/min]	25,000 ±15%
Max. standard flow rate $q_{n \max.}$ [l/min]	40,000 ±15%

1) Measured at $p_1 = 6$ bar and $\Delta p = 0.5$ bar

Operating and environmental conditions		
Condensate drain	Fully automatic V	Fully automatic, electrically actuated E2/E3/E4
Operating pressure [bar]	2 ... 12	0.8 ... 16
Operating medium	Compressed air to ISO 8573-1:2010 [–:–:–]	
Ambient temperature [°C]	+5 ... +60	+1 ... +60
Temperature of medium [°C]	+5 ... +60	+1 ... +60
Storage temperature [°C]	+5 ... +60	+1 ... +60
Corrosion resistance class CRC ¹⁾	2	

1) Corrosion resistance class CRC 2 to Festo standard FN 940070
Moderate corrosion stress. Indoor applications in which condensation may occur. External visible parts with primarily decorative requirements for the surface and which are in direct contact with the ambient atmosphere typical for industrial applications.

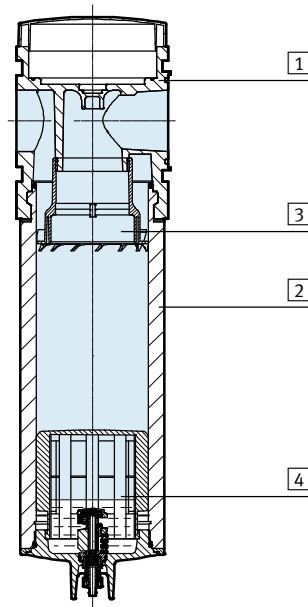
Water separators MS12-LWS, MS series, NPT

Technical data

Weight [g]	
Water separator	6,300
Water separator with fully automatic, electrically actuated condensate drain E2/E3/E4	7,000
Accessories	
Connecting plate AQ...	1,300
Mounting bracket WP	700

Materials

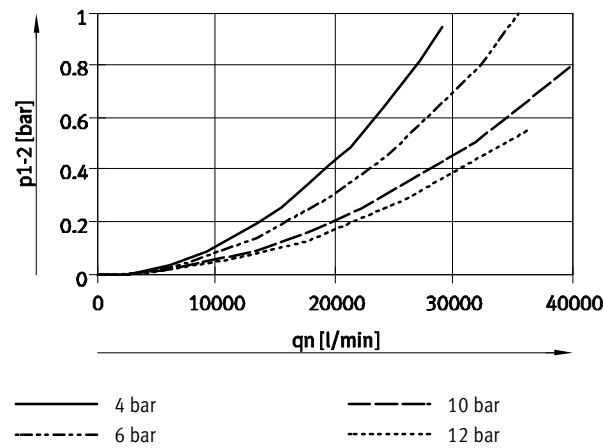
Sectional view



Water separator		
1	Housing	Die-cast aluminium
2	Bowl	Wrought aluminium alloy
	Inspection window	PA
3	Spin disc	POM
4	Separating plate	POM
-	Cover	PA reinforced
-	Connecting plate, module connector, mounting bracket	Die-cast aluminium
-	Seals	Nitrile rubber
Note on materials		RoHS-compliant (not with variant E2, E3 or E4)

Standard flow rate q_n as a function of differential pressure Δp_{1-2}

MS12-LWS-AQV/AQW, pneumatic connection NPT1½/NPT2



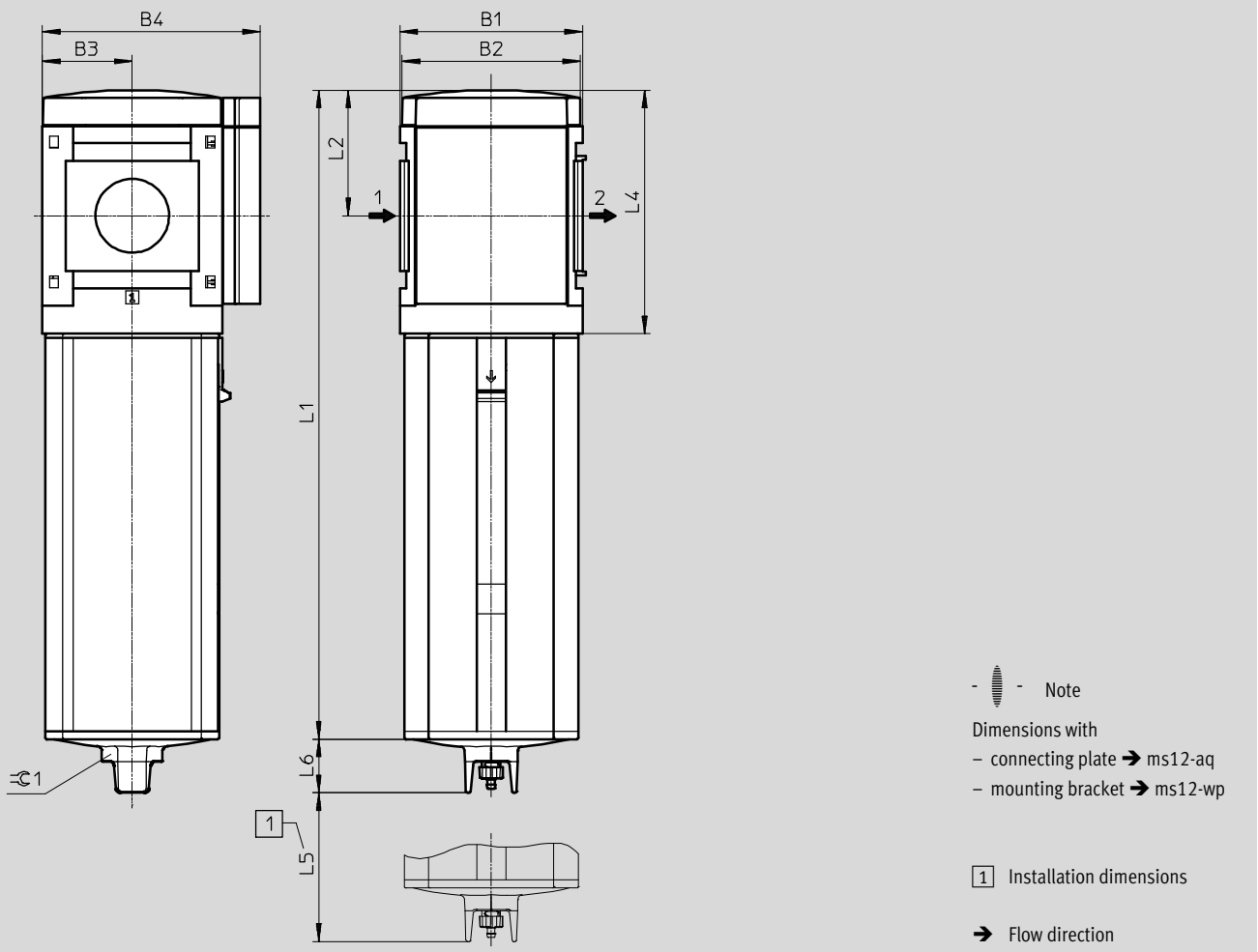
Water separators MS12-LWS, MS series, NPT

Technical data

Dimensions – Basic design

Download CAD data → www.festo.com

Module without connecting thread, without connecting plate G, fully automatic condensate drain V



Type	B1	B2	B3	B4	L1	L2	L4	L5	L6	∅ 1
MS12-LWS-G	124	122	61	148	441	85	165	60	36	36

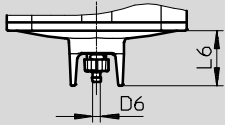
Water separators MS12-LWS, MS series, NPT

Technical data

Dimensions – Condensate drain

Download CAD data → www.festo.com

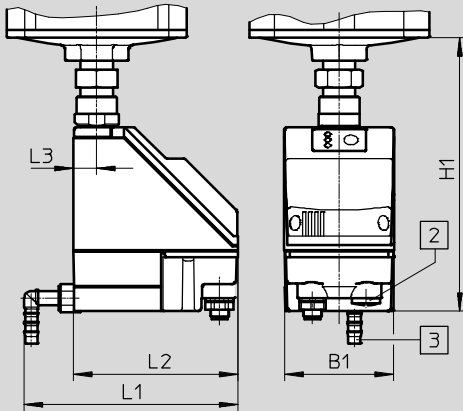
Fully automatic V



Barbed fitting for plastic tubing
PCN-4

Fully automatic, electrically actuated E2/E3/E4

Technical data → [Internet: pwea](http://Internet:pwea)



Condensate drain PWEA:
 [2] Electrical connection:
 Screw terminal PG9
 [3] Connection 360° rotatable for
 plastic tubing PUN-H-12x2

Type	B1	D6	H1	L1	L2	L3	L6
MS12-LWS-...-V	-	5	-	-	-	-	36
MS12-LWS-...-E2/E3/E4	72	-	179	140	108	15.4	-

Ordering data

Size	Condensate drain	Connection	Part No.	Type
MS12	Fully automatic	-	8005550	MS12-LWS-G-U-V

Water separators MS12-LWS, MS series, NPT

Ordering data – Modular products

M Mandatory data						O Options		
Module No.	Series	Size	Function	Pneumatic connection	Bowl	Condensate drain	Type of mounting	Flow direction
569827	MS	12	LWS	AQT, AQU, AQV, AQW, G	U	V, E2, E3, E4	WP	Z
Ordering example								
569827	MS	12	- LWS	- G	- U	- V		

Ordering table		Grid dimension	[mm]	124	Condi- tions	Code	Enter code
M	Module No.	569827					
	Series	Standard				MS	MS
	Size	12				12	12
	Function	Water separator				-LWS	-LWS
	Pneumatic connection	Connecting plate NPT1				-AQT	
		Connecting plate NPT1¼				-AQU	
		Connecting plate NPT1½				-AQV	
		Connecting plate NPT2				-AQW	
		Module without connecting thread, without connecting plate			1	-G	
	Bowl	Metal bowl				-U	-U
	Condensate drain	Fully automatic (P1 max. 12 bar)				-V	
		External, fully automatic, electric	110 V AC, terminals (P1 max. 16 bar)			-E2	
			230 V AC, terminals (P1 max. 16 bar)			-E3	
			24 V DC, terminals (P1 max. 16 bar)			-E4	
O	Type of mounting	Mounting bracket			2	-WP	
	Flow direction	Flow direction from right to left				-Z	

- 1 G Not with mounting type WP.
2 WP Only with connecting plate AQT, AQU, AQV or AQW.

Transfer order code

569827	MS	12	- LWS	-		- U	-		-		-	
--------	----	----	-------	---	--	-----	---	--	---	--	---	--

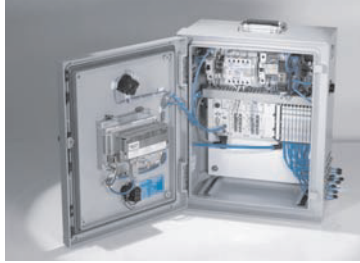
Product Range and Company Overview

A Complete Suite and Company Overview

Our experienced engineers provide complete support at every stage of your development process, including: conceptualization, analysis, engineering, design, assembly, documentation, validation, and production.



Custom Automation Components
Complete custom engineered solutions



Custom Control Cabinets
Comprehensive engineering support and on-site services



Complete Systems
Shipment, stocking and storage services

The Broadest Range of Automation Components

With a comprehensive line of more than 30,000 automation components, Festo is capable of solving the most complex automation requirements.



Electromechanical
Electromechanical actuators, motors, controllers & drivers



Pneumatics
Pneumatic linear and rotary actuators, valves, and air supply



PLCs and I/O Devices
PLC's, operator interfaces, sensors and I/O devices

Supporting Advanced Automation... As No One Else Can!

Festo is a leading global manufacturer of pneumatic and electromechanical systems, components and controls for industrial automation, with more than 16,000 employees in 60 national headquarters serving more than 180 countries. For more than 80 years, Festo has continuously elevated the state of manufacturing with innovations and optimized motion control solutions that deliver higher performing, more profitable automated manufacturing and processing equipment. Our dedication to the advancement of automation extends beyond technology to the education and development of current and future automation and robotics designers with simulation tools, teaching programs, and on-site services.

Quality Assurance, ISO 9001 and ISO 14001 Certifications

Festo Corporation is committed to supply all Festo products and services that will meet or exceed our customers' requirements in product quality, delivery, customer service and satisfaction.

To meet this commitment, we strive to ensure a consistent, integrated, and systematic approach to management that will meet or exceed the requirements of the ISO 9001 standard for Quality Management and the ISO 14001 standard for Environmental Management.

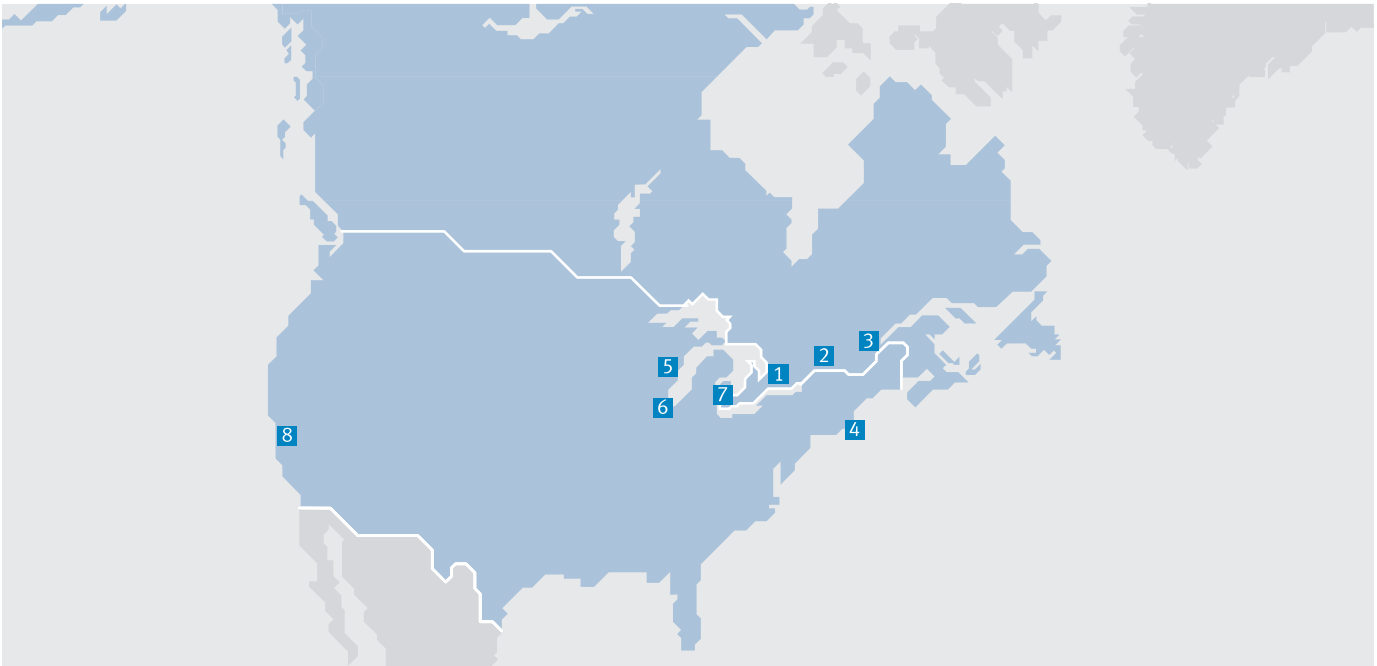


© Copyright 2013, Festo Corporation. While every effort is made to ensure that all dimensions and specifications are correct, Festo cannot guarantee that publications are completely free of any error, in particular typing or printing errors. Accordingly, Festo cannot be held responsible for the same. For Liability and Warranty conditions, refer to our "Terms and Conditions of Sale", available from your local Festo office. All rights reserved. No part of this publication may be reproduced, distributed, or transmitted in any form or by any means, electronic, mechanical, photocopying or otherwise, without the prior written permission of Festo. All technical data subject to change according to technical update.



Printed on recycled paper at New Horizon Graphic, Inc., FSC certified as an environmental friendly printing plant.

Festo North America



**1 Festo Canada
Headquarters
Festo Inc.**
5300 Explorer Drive
Mississauga, ON
L4W 5G4

2 Montréal
5600, Trans-Canada
Pointe-Claire, QC
H9R 1B6

3 Québec City
2930, rue Watt#117
Québec, QC
G1X 4G3



**4 Festo United States
Headquarters
Festo Corporation**
395 Moreland Road
Hauppauge, NY
11788

5 Appleton
North 922 Tower View Drive, Suite N
Greenville, WI
54942

7 Detroit
1441 West Long Lake Road
Troy, MI
48098

6 Chicago
85 W Algonquin - Suite 340
Arlington Heights, IL
60005

8 Silicon Valley
4935 Southfront Road, Suite F
Livermore, CA
94550

Festo Regional Contact Center

Canadian Customers

Commercial Support:
Tel: 1 877 GO FESTO (1 877 463 3786)
Fax: 1 877 FX FESTO (1 877 393 3786)
Email: festo.canada@ca.festo.com

Technical Support:
Tel: 1 866 GO FESTO (1 866 463 3786)
Fax: 1 877 FX FESTO (1 877 393 3786)
Email: technical.support@ca.festo.com

USA Customers

Commercial Support:
Tel: 1 800 99 FESTO (1 800 993 3786)
Fax: 1 800 96 FESTO (1 800 963 3786)
Email: customer.service@us.festo.com

Technical Support:
Tel: 1 866 GO FESTO (1 866 463 3786)
Fax: 1 800 96 FESTO (1 800 963 3786)
Email: product.support@us.festo.com