

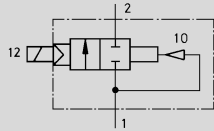
Valves for Special Applications

2/2 - 2 Way, 2 Position Valves 1/4" to 1-1/2" NPT / G 1/4 to G 1-1/2

FESTO

Single Solenoid Valve

Spring Return
Brass Housing
Type MN1H-...-MS



Accessories:

Order Separately

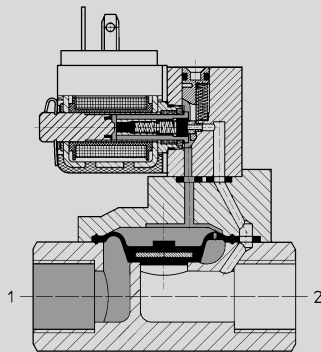
Solenoid coils, see page 731.

Sockets/cables, Types KMC-..., MSSD-C, see pages 734-735.

LED gaskets Types MC-..., MCL-..., see pages 738-739.

Manual override, 157651 AHB-MD/MF/MV

Nameplates, 18182 IBS-9 x 20



When the solenoid is energized, the valve shifts and remains shifted until the solenoid is de-energized.

Note: When pressure is first supplied to the valve, the diaphragm will open momentarily.

Caution: When using liquids, pressure surges may occur when valve is energized.

Response Time (per VDI 3290)

Type	Compressed Air (ms)		Water (ms)	
	On	Off	On	Off
MN1H-2-1/4-...	30	100	50	220
MN1H-2-3/8-...	30	100	50	220
MN1H-2-1/2-...	30	100	50	220
MN1H-2-3/4-B-...	120	180	75	350
MN1H-2-1-B-...	120	180	75	350
MN1H-2-1-1/2-...	230-440	300-1000	230-550	1000-14,000

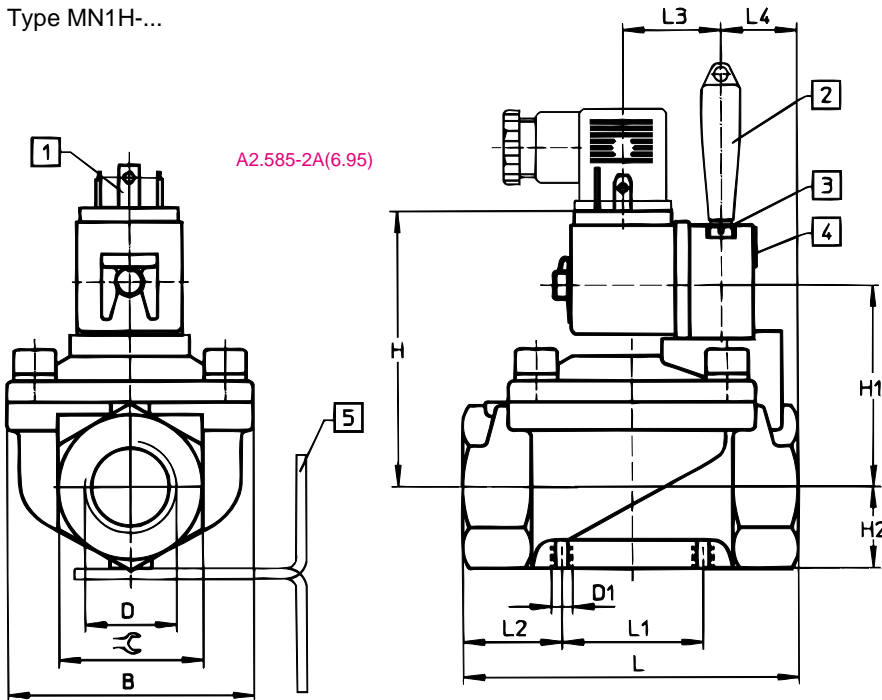
Order Number Part No./Type	ISO Connection	161725	161727	161728	161731	161732	161734
		MN1H-2-1/4-MS	MN1H-2-3/8-MS	MN1H-2-1/2-MS	MN1H-2-3/4-MS	MN1H-2-1-MS	MN1H-2-1-1/2-MS
NPT Connection	Bracket	161724	161726	161729	161730	161733	161735
		MN1H-2-1/4-MS-NPT	MN1H-2-3/8-MS-NPT	MN1H-2-1/2-MS-NPT	MN1H-2-3/4-MS-NPT	MN1H-2-1-MS-NPT	MN1H-2-1-1/2-MS-NPT
		+ Voltage supply					
		9769 HRM-1			9770 HRM-2		9771 HRM-3
Medium*		Compressed air (filtered, lubricated or unlubricated) distilled water**, mineral-oil base hydraulic oil up to 0.34 sq in / sec / 22 mm ² / sec					
Design		Diaphragm seat valve					
Mounting		In line, mounting bracket or through holes in housing					
Connection		1/4 NPT / G 1/4	3/8 NPT / G 3/8	1/2 NPT / G 1/2	3/4 NPT / G 3/4	1 NPT / G 1	1-1/2 NPT / G 1-1/2
Orifice Size		0.52 in / 13 mm	0.52 in / 13 mm	0.52 in / 13 mm	0.79 in / 20 mm	0.98 in / 25 mm	1.58 in / 40 mm
C _v Factor (1 → 2)	C _v / l/min	2.0 C _v / 2000 l/min	2.9 C _v / 2900 l/min	3.1 C _v / 3100 l/min	10 C _v / 10,000 l/min	11.5 C _v / 11,500 l/min	30.5 C _v / 30,500 l/min
Flow Rate For Water (kv)	ft ³ /h / m ³ /h	64.19 / 1,818	93.08 / 2,636	99.51 / 2,818	321.01 / 9,091	369.17 / 10,455	979.06 / 27,727
Pressure Range		7.5 to 150 psi / 0.5 to 10 bar					
Min. Differential Pressure to Open		12 psi / 0.8 bar					
Response Time at 90 psi / 6 bar		See table above					
Ambient Temperature		14 to 95°F / -10 to +35°C (for water: 14 to 140°F / -10 to 60°C)					
Medium Temperature		14 to 176°F / -10 to +80°C (for water: 14 to 140°F / -10 to 60°C)					
Materials		Housing: Brass; Diaphragm: Buna N					
Weight		0.99 lb / 0.45 kg	0.99 lb / 0.45 kg	0.88 lb / 0.40 kg	2.43 lb / 1.10 kg	2.20 lb / 1.0 kg	5.73 lb / 2.60 kg
Standard Voltage	DC	24V					
	AC	110V / 50 to 60 Hz, 230V / 50 to 60 Hz					
Power Consumption	Holding / Inrush	2.5W			3.7 / 5VA		3.7 / 5 VA
Duty Cycle		100%					
Type of Protection (DIN 40050)		IP 65 with socket					

* Other media on request. **PH value approx. 7-9.

Valves for Special Applications

2/2 - 2 Way, 2 Position Valves

Type MN1H-...



A2.585-2A(6.95)

Max. tightening torque:

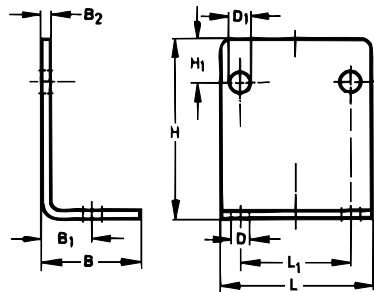
- 1/4" NPT / G 1/4 ISO...25.82 lb-ft / 35 N-m
- 3/8" NPT / G 3/8 ISO...44.26 lb-ft / 60 N-m
- 1/2" NPT / G 1/2 ISO...77.45 lb-ft / 105 N-m
- 3/4" NPT / G 3/4 ISO...147.51 lb-ft / 200 N-m
- 1" NPT / G 1 ISO...280.27 lb-ft / 380 N-m
- 1-1/2" NPT / G 1-1/2 ISO...626.96 lb-ft / 850 N-m

- 1 (P) = Supply
- 2 (A) = Outlet

- 1 Connection for socket per DIN 43650 Form A
- 2 Manual override actuator, detented
- 3 Manual override without actuator, not detented
- 4 Location of nameplate, Type IBS-9 x 20
- 5 Bracket, Type HRM-...

Type	B in / mm	D	D ₁	H in / mm	H ₁ in / mm	H ₂ in / mm	L in / mm	L ₁ in / mm	L ₂ in / mm	L ₃ in / mm	L ₄ in / mm	 mm
MN1H-2-1/4-...	1.89 / 48	1/4" NPT / G 1/4	M4	2.64 / 67	1.81 / 46	0.59 / 15	2.64 / 67	0.98 / 25	0.83 / 21	1.04 / 26.5	0.79 / 20	27
MN1H-2-3/8-...	1.89 / 48	3/8" NPT / G 3/8	M4	2.64 / 67	1.81 / 46	0.59 / 15	2.64 / 67	0.98 / 25	0.83 / 21	1.04 / 26.5	0.79 / 20	27
MN1H-2-1/2-...	1.89 / 48	1/2" NPT / G 1/2	M4	2.64 / 67	1.81 / 46	0.59 / 15	2.64 / 67	0.98 / 25	0.83 / 21	1.04 / 26.5	0.79 / 20	27
MN1H-2-3/4-...	2.76 / 70	3/4" NPT / G 3/4	M6	3.07 / 78	2.24 / 57	0.91 / 23	3.74 / 95	1.57 / 40	1.08 / 27.5	1.04 / 26.5	0.85 / 21.5	41
MN1H-2-1-...	2.76 / 70	1" NPT / G 1	M6	3.07 / 78	2.24 / 57	0.91 / 23	3.74 / 95	1.57 / 40	1.08 / 27.5	1.04 / 26.5	0.85 / 21.5	41
MN1H-2-1-1/2-...	3.78 / 96	1-1/2" NPT / G 1-1/2	M6	3.60 / 91.5	2.78 / 70.5	1.24 / 31.5	5.51 / 140	2.34 / 59.5	1.51 / 38.3	1.04 / 26.5	1.18 / 30	58

Type HRM-...



Bracket									
Type	B	B1	B2	D Ø	D1 Ø	H	H1	L	L1
	in / mm	in / mm	in / mm	in / mm	in / mm	in / mm	in / mm	in / mm	in / mm
HRM-1	0.98 / 25	0.49 / 12.5	0.08 / 2	0.24 / 6	0.20 / 5	1.46 / 37	0.39 / 10	1.57 / 40	0.98 / 25
HRM-2	1.38 / 35	0.69 / 17.5	0.12 / 3	0.28 / 7	0.28 / 7	2.60 / 66	0.63 / 16	2.16 / 55	1.57 / 40
HRM-3	1.85 / 47	0.93 / 23.5	0.12 / 3	0.35 / 9	0.28 / 7	3.43 / 87	0.91 / 23	2.95 / 75	2.34 / 59.5

Product Range and Company Overview

A Complete Suite of Automation Services

Our experienced engineers provide complete support at every stage of your development process, including: conceptualization, analysis, engineering, design, assembly, documentation, validation, and production.



Custom Automation Components
Complete custom engineered solutions



Custom Control Cabinets
Comprehensive engineering support and on-site services



Complete Systems
Shipment, stocking and storage services

The Broadest Range of Automation Components

With a comprehensive line of more than 30,000 automation components, Festo is capable of solving the most complex automation requirements.



Electromechanical
Electromechanical actuators, motors, controllers & drives



Pneumatics
Pneumatic linear and rotary actuators, valves, and air supply



PLCs and I/O Devices
PLC's, operator interfaces, sensors and I/O devices

Supporting Advanced Automation... As No One Else Can!

Festo is a leading global manufacturer of pneumatic and electromechanical systems, components and controls for industrial automation, with more than 12,000 employees in 56 national headquarters serving more than 180 countries. For more than 80 years, Festo has continuously elevated the state of manufacturing with innovations and optimized motion control solutions that deliver higher performing, more profitable automated manufacturing and processing equipment. Our dedication to the advancement of automation extends beyond technology to the education and development of current and future automation and robotics designers with simulation tools, teaching programs, and on-site services.

Quality Assurance, ISO 9001 and ISO 14001 Certifications

Festo Corporation is committed to supply all Festo products and services that will meet or exceed our customers' requirements in product quality, delivery, customer service and satisfaction.

To meet this commitment, we strive to ensure a consistent, integrated, and systematic approach to management that will meet or exceed the requirements of the ISO 9001 standard for Quality Management and the ISO 14001 standard for Environmental Management.



© Copyright 2008, Festo Corporation. While every effort is made to ensure that all dimensions and specifications are correct, Festo cannot guarantee that publications are completely free of any error, in particular typing or printing errors. Accordingly, Festo cannot be held responsible for the same. For Liability and Warranty conditions, refer to our "Terms and Conditions of Sale", available from your local Festo office. All rights reserved. No part of this publication may be reproduced, distributed, or transmitted in any form or by any means, electronic, mechanical, photocopying or otherwise, without the prior written permission of Festo. All technical data subject to change according to technical update.



Printed on recycled paper at New Horizon Graphic, Inc., FSC certified as an environmentally friendly printing plant.

Festo North America

United States

Customer Resource Center
502 Earth City Expy., Suite 125
Earth City, MO 63045

For ordering assistance, or to find
your nearest Festo Distributor,

Call: 1.800.99.FESTO
Fax: 1.800.96.FESTO
Email: customer.service@us.festo.com

For technical support,

Call: 1.866.GO.FESTO
Fax: 1.800.96.FESTO
Email: product.support@us.festo.com

Headquarters

Festo Corporation
395 Moreland Road
P.O. Box 18023
Hauppauge, NY 11788
www.festo.com/us

Sales Offices

Appleton

N. 922 Tower View Drive, Suite N
Greenville, WI 54942

Boston

120 Presidential Way, Suite 330
Woburn, MA 01801

Chicago

1441 East Business Center Drive
Mt. Prospect, IL 60056

Dallas

1825 Lakeway Drive, Suite 600
Lewisville, TX 75057

Detroit - Automotive Engineering Center
2601 Cambridge Court, Suite 320
Auburn Hills, MI 48326

New York

395 Moreland Road
Hauppauge, NY 11788

Silicon Valley

4935 Southfront Road, Suite F
Livermore, CA 94550

Design and Manufacturing Operations



East: 395 Moreland Road, Hauppauge, NY 11788



Central: 1441 East Business Center Drive, Mt. Prospect, IL 60056



West: 4935 Southfront Road, Suite F, Livermore, CA 94550

Mexico

Headquarters

Festo Pneumatic, S.A.
Av. Ceylán 3, Col. Tequesquahuac
54020 Tlalnepantla, Edo. de México
Call: 011 52 [55] 53 21 66 00
Fax: 011 52 [55] 53 21 66 65
Email: festo.mexico@mx.festo.com
www.festo.com/mx



Canada

Headquarters

Festo Inc.
5300 Explorer Drive
Mississauga, Ontario L4W 5G4
Call: 1.905.624.9000
Fax: 1.905.624.9001
Email: info.ca@ca.festo.com
www.festo.com/ca



Festo Worldwide

Argentina Australia Austria Belarus Belgium Brazil Bulgaria Canada Chile China Colombia Croatia Czech Republic Denmark
Estonia Finland France Germany Great Britain Greece Hong Kong Hungary India Indonesia Iran Ireland Israel Italy Japan
Latvia Lithuania Malaysia Mexico Netherlands New Zealand Norway Peru Philippines Poland Romania Russia Serbia Singapore
Slovakia Slovenia South Africa South Korea Spain Sweden Switzerland Taiwan Thailand Turkey Ukraine United States Venezuela

www.festo.com