

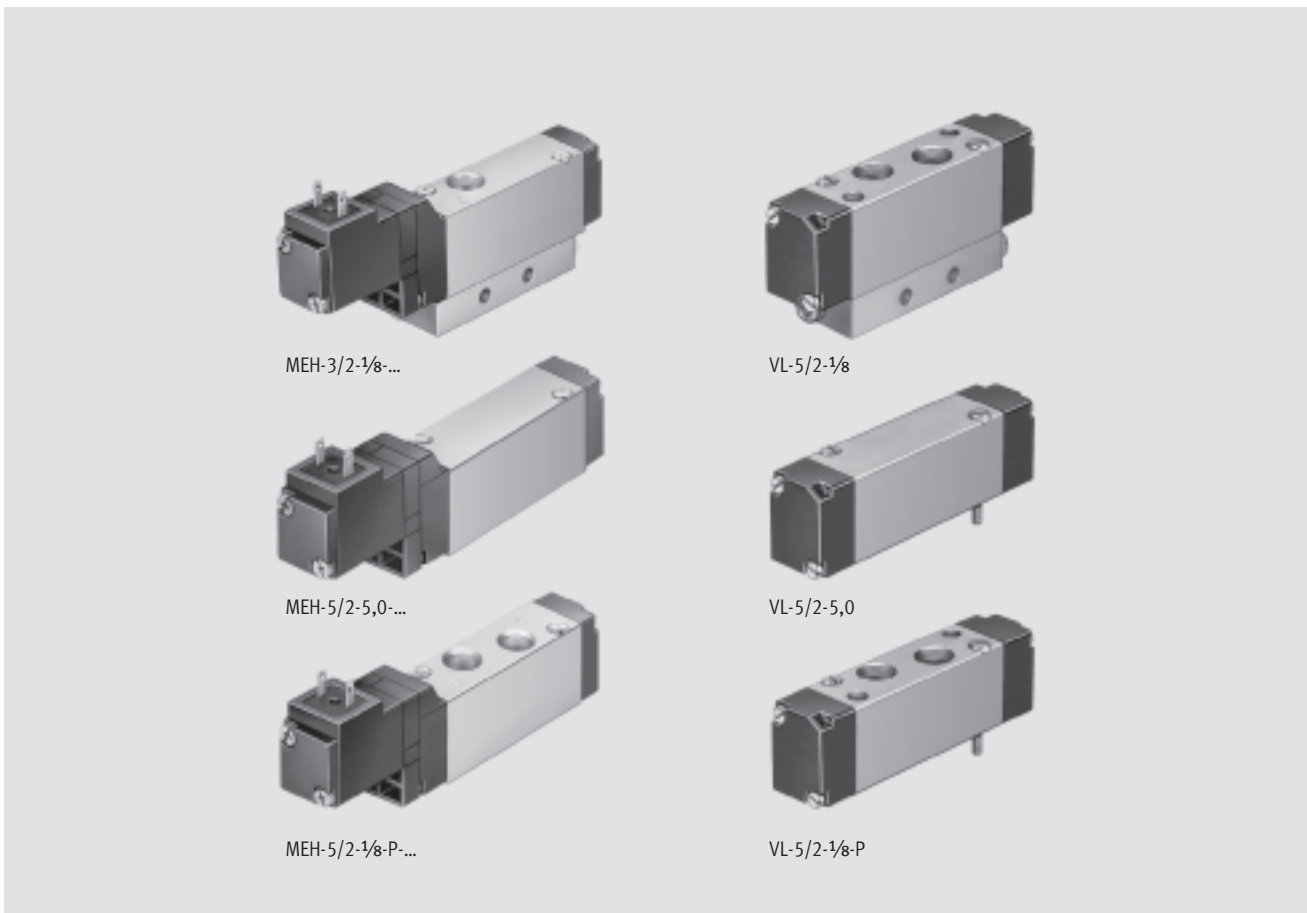





- Electrically or pneumatically actuated valves
- Valves with internal or external pilot air
- Manifold mounting for 2 ... 10 valves or individual mounting

Solenoid/pneumatic valves, midi pneumatics

Features

FESTO



Parameter	Variants	Possible combinations	Mounting
<p>-  - Flow rate 200 ... 700 l/min</p>	<ul style="list-style-type: none"> Electrically and pneumatically actuated valves 3/2, 5/2 and 5/3-way valves 	<ul style="list-style-type: none"> Any number of valves can be added with series sub-bases 2 ... 10 manifold mounted valves with blanking plates for spare positions Prefabricated plug socket with cable, LED and protective circuit Cable and solenoid coil for assembly by user Manual override 	<p>Semi in-line valves, threaded</p> <ul style="list-style-type: none"> Individual mounting <p>Sub-base valves</p> <ul style="list-style-type: none"> Sub-base Series sub-base <p>Valves with in-line connection at top</p> <ul style="list-style-type: none"> PRS manifold
<p>-  - Width 18 mm</p>	<ul style="list-style-type: none"> Sub-base valves Semi in-line valves 		
<p>-  - Voltage 24 V DC 110 or 230 V AC</p>			

Solenoid/pneumatic valves, midi pneumatics

Features

Mounting options

Individual sub-base

Connection at side

AS-ME-1/8

AS-VL-1/8



Connection underneath

AU-ME-1/8



Manifold mounting

Series sub-base

AW-ME-1/8



AW-VL-1/8



Intermediate plate

ZP-ME-1/8



End plate kit

EP-ME-1/8



Blanking plate for spare positions

PRMEB-5



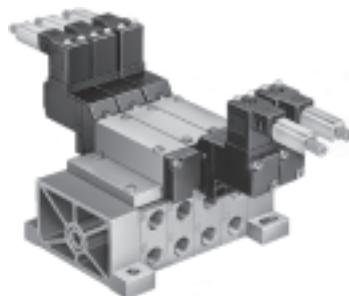
In-line manifold

PRS-ME-1/8



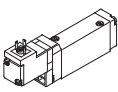
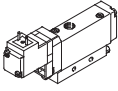
Blanking plate for spare positions

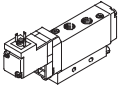
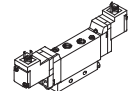
PRSB-ME-1/8

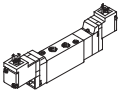


Solenoid valves MEH/MEBH, midi pneumatics

Overview – Solenoid valves

Function	Design	Type	Nominal flow rate [l/min]	Pneumatic connection	Operating voltage		Semi in-line valve	Sub-base valve
					[V DC]	[V AC]		
3/2-way valves		MEBH-3/2-...	700	5.0 mm	24	110, 230	-	■
			600	G1/8			■	-
		MOEBH-3/2-...	700	5.0 mm	24	110, 230	-	■
			600	G1/8			■	-
		MEH-3/2-...	700	5.0 mm	24	-	-	■
			600	G1/8			■	-
		MOEH-3/2-...	700	5.0 mm	24	-	-	■
			600	G1/8			■	-

Function	Design	Type	Nominal flow rate [l/min]	Pneumatic connection	Operating voltage		Semi in-line valve	Sub-base valve	
					[V DC]	[V AC]			
5/2-way valves		MEBH-5/2-...	700	5.0 mm	24	110, 230	-	■	
			600	G1/8			■	-	
		MEH-5/2-...	700	5.0 mm	24	-	-	■	
			600	G1/8			■	-	
	Double solenoid valve								
		JMEBH-5/2-...	700	5.0 mm	24	110, 230	-	■	
			650	G1/8			■	-	
		JMEH-5/2-...	700	5.0 mm	24	-	-	■	
650			G1/8	■			-		

Function	Design	Type	Nominal flow rate [l/min]	Pneumatic connection	Operating voltage		Semi in-line valve	Sub-base valve
					[V DC]	[V AC]		
5/3-way valves		MEBH-5/3...	500	5.0 mm	24	110, 230	-	■
			600	G1/8			■	-
			400	5.0 mm			-	■
			300	G1/8			■	-
			400	5.0 mm			-	■
			200	G1/8			■	-
		MEH-5/3...	500	5.0 mm	24	-	-	■
			600	G1/8			■	-
			400	5.0 mm			-	■
			300	G1/8			■	-
			400	5.0 mm			-	■
			200	G1/8			■	-

Solenoid valves MEH/MEBH, midi pneumatics

Overview – Solenoid valves

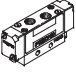
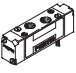
Type	Pilot air supply		Type of reset		Normal position		→ Page/Internet
	internal	external	pneumatic spring	mechanical spring	closed	open	
Solenoid valve							
MEBH-3/2-...	■	-	-	■	■	-	9
MOEBH-3/2-...	■	-	-	■	-	■	
MEH-3/2-...	■	-	-	■	■	-	21
MOEH-3/2-...	■	-	-	■	-	■	

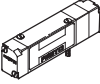
Type	Pilot air supply		Type of reset		Normal position		→ Page/Internet
	internal	external	pneumatic spring	mechanical spring	closed	open	
Solenoid valve							
MEBH-5/2-...	■	■	■	■	-	-	9
MEH-5/2-...	■	■	■	■	-	-	21
Double solenoid valve							
JMEBH-5/2-...	■	■	-	-	-	-	9
JMEH-5/2-...	■	■	-	-	-	-	21

Type	Pilot air supply		Type of reset		Normal position			→ Page/Internet
	internal	external	pneumatic spring	mechanical spring	closed	exhausted	pressurised	
Solenoid valve								
MEBH-5/3...	■	■	-	■	■	-	-	9
	■	■	-	■	-	■	-	
	■	■	-	■	-	-	■	
MEH-5/3...	■	■	-	■	■	-	-	21
	■	■	-	■	-	■	-	
	■	■	-	■	-	-	■	

Pneumatic valves VL/J, midi pneumatics

Overview – Pneumatic valves

Function	Design	Type	Nominal flow rate [l/min]	Pneumatic connection	Semi in-line valve	Sub-base valve
5/2-way valves	Pneumatic valve					
		VL-5/2-...	700	5.0 mm	-	■
			600	G1/8	■	-
	Double pilot valve					
		J-5/2-...	700	5.0 mm	-	■
			650	G1/8	■	-

Function	Design	Type	Nominal flow rate [l/min]	Pneumatic connection	Semi in-line valve	Sub-base valve
5/3-way valves	Pneumatic valve					
		VL-5/3...	600	5.0 mm	-	■
			500	G1/8	■	-
			350	5.0 mm	-	■
			350	G1/8	■	-
			300	5.0 mm	-	■
			300	G1/8	■	-

Pneumatic valves VL/J, midi pneumatics

Overview – Pneumatic valves

Type	Pilot air supply		Type of reset		→ Page/Internet
	internal	external	pneumatic spring	mechanical spring	
Pneumatic valve					
VL-5/2-...	■	-	-	■	34
Double pilot valve					
J-5/2-...	■	-	-	-	34

Type	Pilot air supply		Normal position			→ Page/Internet
	internal	external	closed	exhausted	pressurised	
Pneumatic valve						
VL-5/3...	■	-	■	-	-	34
	■	-	-	■	-	
	■	-	-	-	■	

Solenoid valves MEH/MEBH, midi pneumatics

Type codes

FESTO

MEBH – 5/2 – 1/8 – P – L – B – 110AC

Type	
MEBH	Single solenoid, with EB solenoid coil
MOEBH	Single solenoid, with EB solenoid coil, normally open
MEH	Single solenoid, with E solenoid coil
MOEH	Single solenoid, with E solenoid coil, normally open
JMEBH	Double solenoid, with EB solenoid coil
JMEH	Double solenoid, with E solenoid coil

Valve function	
3/2	3/2-way valve
5/2	5/2-way valve
5/3	5/3-way valve

Normal position	
G	Closed
E	Exhausted
B	Pressurised

Design, pneumatic connection/nominal size	
1/8	Semi in-line valve, thread G1/8
5.0	Sub-base valve, 5 mm

Mounting method	
P	On manifold PRS-ME

Type of reset	
	Mechanical spring
L	Pneumatic spring

Pilot air supply	
	Internal
S	External

Generation	
B	B series

Operating voltage	
	24 V DC
110AC	110 V AC
230AC	230 V AC

Solenoid valves MEBH, midi pneumatics

FESTO

Technical data

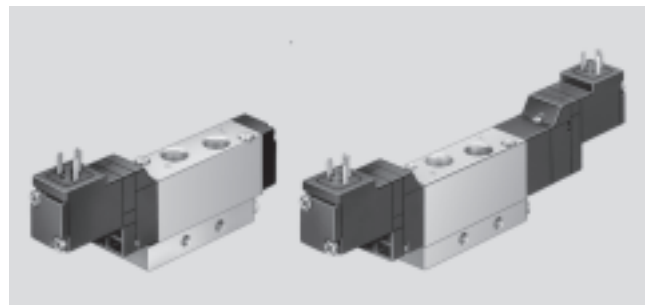
Flow rate

200 ... 700 l/min

Voltage

24 V DC

110/230 V AC



General technical data							
Type		MEBH-3/2-... MOEBH-3/2-...	MEBH-5/2-...	JMEBH-5/2-...	MEBH-5/3...		
Design		Piston spool					
Type of mounting	...-1/8	2 through-holes					
	...-5.0	On sub-base with two M3 screws					
	...-1/8-P	On manifold with two M3 screws					
Pneumatic connection	...-1/8	G1/8					
	...-5.0	Sub-base					
	...-1/8-P	G1/8					
Nominal size	[mm]	5					
Standard nominal flow rate 1 > 2, 1 > 4					G	E	B
	...-1/8	600/500	600	650	600	300	200
	...-5.0	700/600	700	700	500	400	400
	...-1/8-P	600/500	600	650	650	300	200
Materials		Housing: Aluminium Seals: Nitrile rubber					
Weight	[g]						
	...-1/8	105	105	142	153		
	...-5.0	105	105	146	150		
...-1/8-P	105	105	142	153			

Operating and environmental conditions							
Type		MEBH-3/2-... MOEBH-3/2-...	MEBH-5/2-...	JMEBH-5/2-...	MEBH-5/3...		
Operating medium		Compressed air in accordance with ISO 8573-1:2010 [7:4:4] ¹⁾					
Note on operating/pilot medium		Operation with lubricated medium possible (in which case lubricated operation will always be required)					
Operating pressure range	Internal pilot air supply	[bar]	2 ... 8	2.5 ... 8	1.5 ... 8	3 ... 8	
	External pilot air supply	[bar]	–	–0.9 ... +10			
Pilot pressure range		[bar]	–	2.5 ... 8	1.5 ... 8	3 ... 8	
Ambient temperature		[°C]	–5 ... +50				
Temperature of medium		[°C]	–5 ... +50				
Note on materials		RoHS-compliant					

1) Only oils of viscosity class 32 may be used for lubricated operation.

Solenoid valves MEBH, midi pneumatics

Technical data

Valve response times [ms]							
Type	MEBH-3/2-... MOEBH-3/2-...		MEBH-5/2-...		JMEBH-5/2-...	MEBH-5/3...	
Type of reset	mechanical	pneumatic	mechanical	pneumatic	–	mechanical	pneumatic
On	10	–	10	15	–	12	–
Off	28	–	28	18	–	25	–
Changeover	–	–	–	–	10	–	–

Electrical data			
EB solenoid coil			
Electrical connection	Plug, square design to EN 175301-803, type C		
Operating voltage	D.C. voltage	[V DC]	24
	AC voltage	[V AC]	110/230 (50 ... 60 Hz)
Coil characteristics	D.C. voltage	[W]	1.5
	AC voltage	[VA]	2.4
Protection class to EN 60 529	IP65 (in combination with plug socket)		

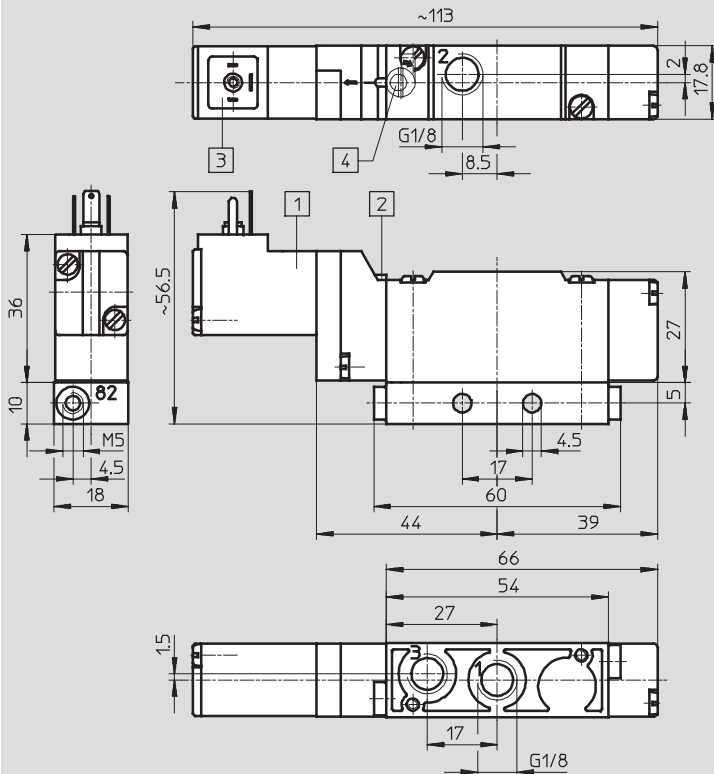
Solenoid valves MEBH, midi pneumatics

Technical data – 3/2-way valves

Dimensions

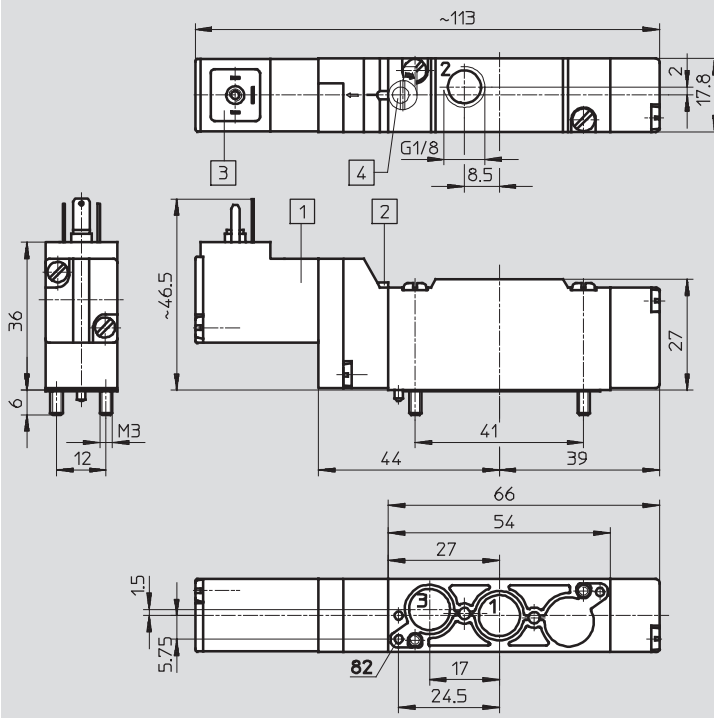
Download CAD Data → www.festo.com/us/cad

Semi in-line valve with thread G1/8



- 1) Solenoid coil can be rotated 180°¹⁾
 - 2) Manual override
 - 3) Suitable for plug sockets to EN 175 301-803, form C: MSSD-EB or KMEB-...
 - 4) Manual override tool (accessory) AHB-ME-1/8
- 1) The seal must not be turned!

Semi in-line valve for manifold PRS-ME



- 1) Solenoid coil can be rotated 180°¹⁾
 - 2) Manual override
 - 3) Suitable for plug sockets to EN 175 301-803, form C: MSSD-EB or KMEB-...
 - 4) Manual override tool (accessory) AHB-ME-1/8
- 1) The seal must not be turned!

Solenoid valves MEBH, midi pneumatics

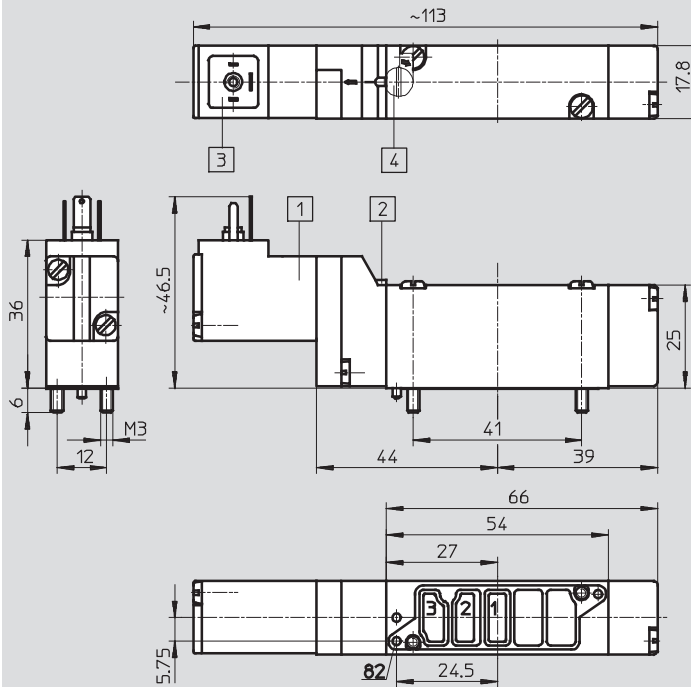
Technical data – 3/2-way valves

FESTO

Dimensions

Download CAD Data → www.festo.com/us/cad

Sub-base valve



- 1) Solenoid coil can be rotated 180°¹⁾
 - 2) Manual override
 - 3) Suitable for plug sockets to EN 175 301-803, form C: MSSD-EB or KMEB-...
 - 4) Manual override tool (accessory) AHB-ME-1/8
- 1) The seal must not be turned!

Ordering data

Circuit symbol	Description	Voltage	Part No.	Type
Normally closed				
	Semi in-line valve with thread G1/8	24 V DC	172998	MEBH-3/2-1/8-B
		110 V AC	173042	MEBH-3/2-1/8-B-110AC
		230 V AC	173084	MEBH-3/2-1/8-B-230AC
	Semi in-line valve for manifold PRS-ME	24 V DC	173000	MEBH-3/2-1/8-P-B
		110 V AC	173056	MEBH-3/2-1/8-P-B-110AC
		230 V AC	173098	MEBH-3/2-1/8-P-B-230AC
	Sub-base valve	24 V DC	172999	MEBH-3/2-5,0-B
		110 V AC	173070	MEBH-3/2-5,0-B-110AC
		230 V AC	173112	MEBH-3/2-5,0-B-230AC
Normally open				
	Semi in-line valve with thread G1/8	24 V DC	173001	MOEBH-3/2-1/8-B
		110 V AC	173053	MOEBH-3/2-1/8-B-110AC
		230 V AC	173095	MOEBH-3/2-1/8-B-230AC
	Semi in-line valve for manifold PRS-ME	24 V DC	173003	MOEBH-3/2-1/8-P-B
		110 V AC	173067	MOEBH-3/2-1/8-P-B-110AC
		230 V AC	173109	MOEBH-3/2-1/8-P-B-230AC
	Sub-base valve	24 V DC	173002	MOEBH-3/2-5,0-B
		110 V AC	173081	MOEBH-3/2-5,0-B-110AC
		230 V AC	173123	MOEBH-3/2-5,0-B-230AC

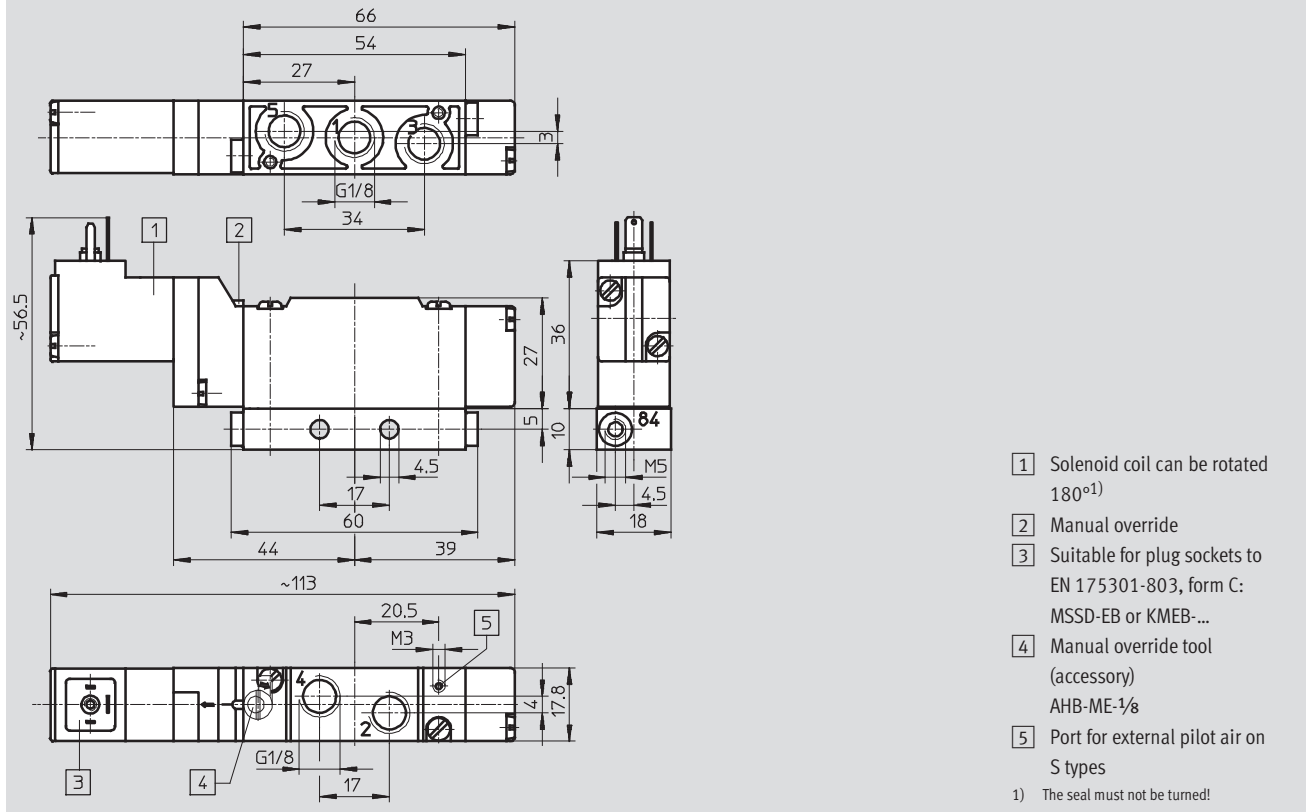
Solenoid valves MEBH, midi pneumatics

Technical data – 5/2-way valves

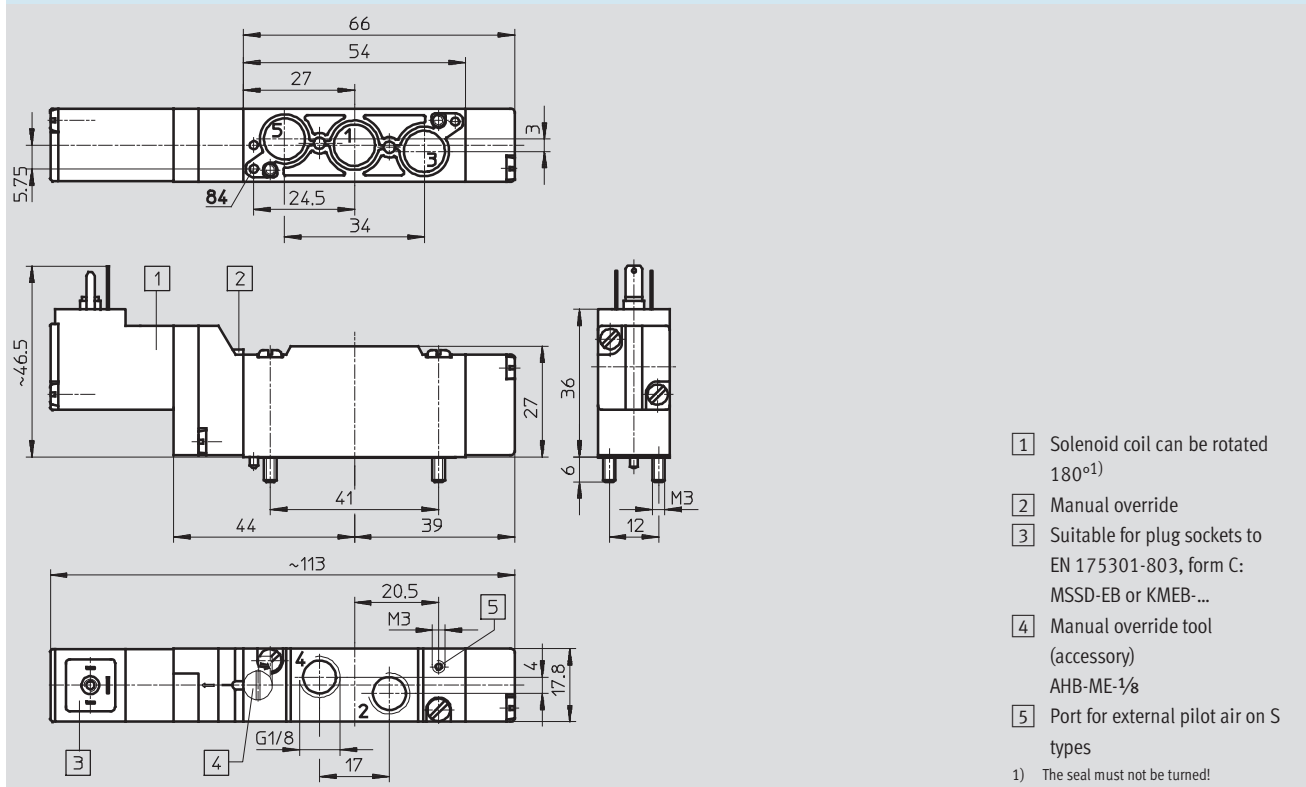
Dimensions

Download CAD Data → www.festo.com/us/cad

Semi in-line valve with thread G1/8



Semi in-line valve for manifold PRS-ME



Solenoid valves MEBH, midi pneumatics

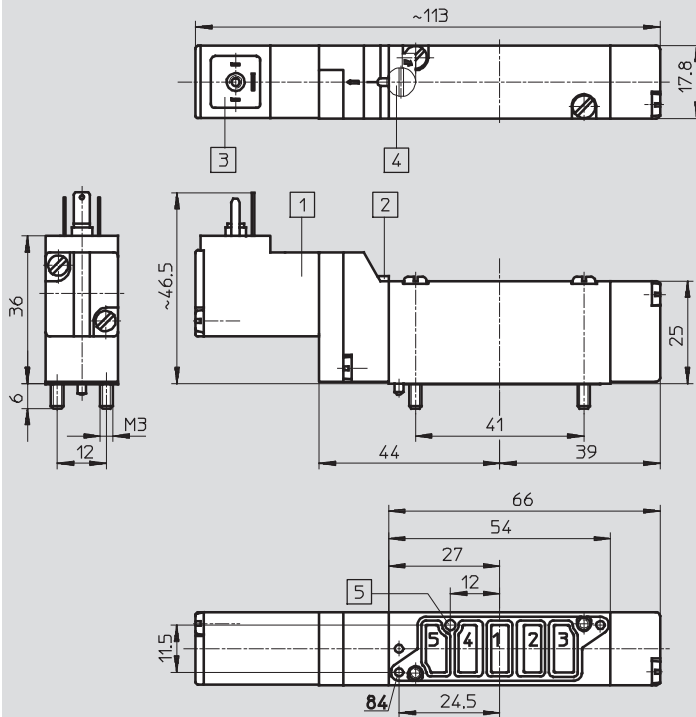
Technical data – 5/2-way valves

FESTO

Dimensions

Download CAD Data → www.festo.com/us/cad

Sub-base valve



- 1) Solenoid coil can be rotated 180°¹⁾
 - 2) Manual override
 - 3) Suitable for plug sockets to EN 175 301-803, form C: MSSD-EB or KMEB-...
 - 4) Manual override tool (accessory) AHB-ME-1/8
 - 5) Port for external pilot air on S types
- 1) The seal must not be turned!

Solenoid valves MEBH, midi pneumatics

Technical data – 5/2-way valves

Ordering data				
Circuit symbol	Description	Voltage	Part No.	Type
Mechanical spring return, internal pilot air supply				
	Semi in-line valve with thread G $\frac{1}{8}$	24 V DC	173004	MEBH-5/2- $\frac{1}{8}$ -B
		110 V AC	173043	MEBH-5/2- $\frac{1}{8}$ -B-110AC
		230 V AC	173085	MEBH-5/2- $\frac{1}{8}$ -B-230AC
	Semi in-line valve for manifold PRS-ME	24 V DC	173006	MEBH-5/2- $\frac{1}{8}$ -P-B
		110 V AC	173057	MEBH-5/2- $\frac{1}{8}$ -P-B-110AC
		230 V AC	173099	MEBH-5/2- $\frac{1}{8}$ -P-B-230AC
	Sub-base valve	24 V DC	173005	MEBH-5/2-5,0-B
		110 V AC	173071	MEBH-5/2-5,0-B-110AC
		230 V AC	173113	MEBH-5/2-5,0-B-230AC
Mechanical spring return, external pilot air supply				
	Semi in-line valve with thread G $\frac{1}{8}$	24 V DC	173007	MEBH-5/2- $\frac{1}{8}$ -S-B
		110 V AC	173046	MEBH-5/2- $\frac{1}{8}$ -S-B-110AC
		230 V AC	173088	MEBH-5/2- $\frac{1}{8}$ -S-B-230AC
	Semi in-line valve for manifold PRS-ME	24 V DC	173009	MEBH-5/2- $\frac{1}{8}$ -P-S-B
		110 V AC	173060	MEBH-5/2- $\frac{1}{8}$ -P-S-B-110AC
		230 V AC	173102	MEBH-5/2- $\frac{1}{8}$ -P-S-B-230AC
	Sub-base valve	24 V DC	173008	MEBH-5/2-5,0-S-B
		110 V AC	173074	MEBH-5/2-5,0-S-B-110AC
		230 V AC	173116	MEBH-5/2-5,0-S-B-230AC
Pneumatic spring return, internal pilot air supply				
	Semi in-line valve with thread G $\frac{1}{8}$	24 V DC	173010	MEBH-5/2- $\frac{1}{8}$ -L-B
		110 V AC	173044	MEBH-5/2- $\frac{1}{8}$ -L-B-110AC
		230 V AC	173086	MEBH-5/2- $\frac{1}{8}$ -L-B-230AC
	Semi in-line valve for manifold PRS-ME	24 V DC	173012	MEBH-5/2- $\frac{1}{8}$ -P-L-B
		110 V AC	173058	MEBH-5/2- $\frac{1}{8}$ -P-L-B-110AC
		230 V AC	173100	MEBH-5/2- $\frac{1}{8}$ -P-L-B-230AC
	Sub-base valve	24 V DC	173011	MEBH-5/2-5,0-L-B
		110 V AC	173072	MEBH-5/2-5,0-L-B-110AC
		230 V AC	173114	MEBH-5/2-5,0-L-B-230AC
Pneumatic spring return, external pilot air supply				
	Semi in-line valve with thread G $\frac{1}{8}$	24 V DC	173013	MEBH-5/2- $\frac{1}{8}$ -L-S-B
		110 V AC	173045	MEBH-5/2- $\frac{1}{8}$ -L-S-B-110AC
		230 V AC	173087	MEBH-5/2- $\frac{1}{8}$ -L-S-B-230AC
	Semi in-line valve for manifold PRS-ME	24 V DC	173015	MEBH-5/2- $\frac{1}{8}$ -P-L-S-B
		110 V AC	173059	MEBH-5/2- $\frac{1}{8}$ -P-L-S-B-110AC
		230 V AC	173101	MEBH-5/2- $\frac{1}{8}$ -P-L-S-B-230AC
	Sub-base valve	24 V DC	173014	MEBH-5/2-5,0-L-S-B
		110 V AC	173073	MEBH-5/2-5,0-L-S-B-110AC
		230 V AC	173115	MEBH-5/2-5,0-L-S-B-230AC

Solenoid valves MEBH, midi pneumatics

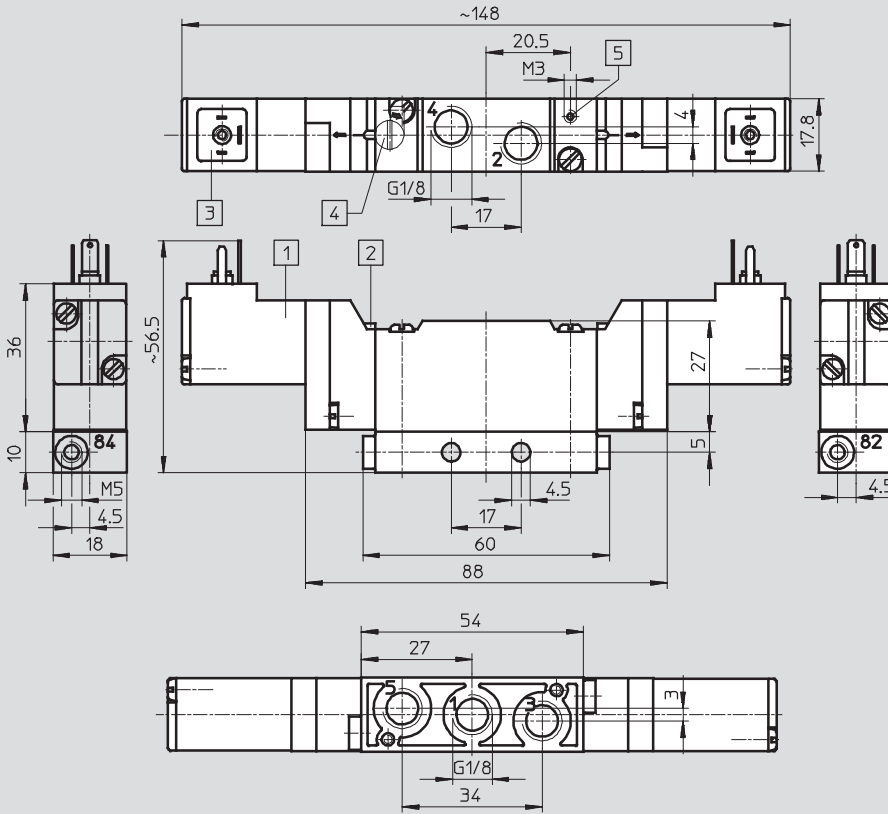
Technical data – 5/2-way valves, double solenoid

FESTO

Dimensions

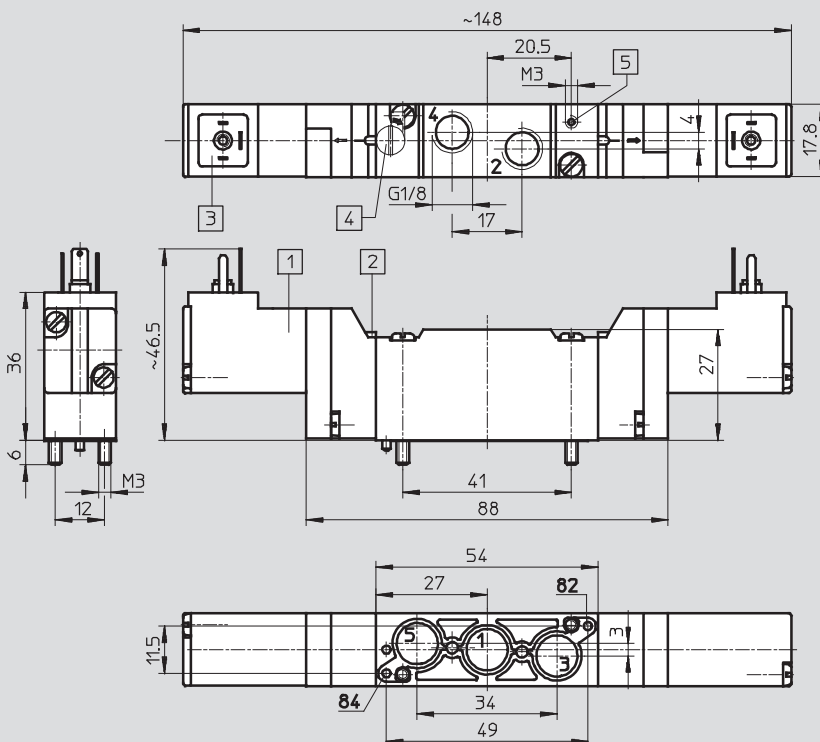
Download CAD Data → www.festo.com/us/cad

Semi in-line valve with thread G1/8



- 1) Solenoid coil can be rotated 180°¹⁾
 - 2) Manual override
 - 3) Suitable for plug sockets to EN 175 301-803, form C: MSSD-EB or KMEB-...
 - 4) Manual override tool (accessory) AHB-ME-1/8
 - 5) Port for external pilot air on S types
- 1) The seal must not be turned!

Semi in-line valve for manifold PRS-ME



- 1) Solenoid coil can be rotated 180°¹⁾
 - 2) Manual override
 - 3) Suitable for plug sockets to EN 175 301-803, form C: MSSD-EB or KMEB-...
 - 4) Manual override tool (accessory) AHB-ME-1/8
 - 5) Port for external pilot air on S types
- 1) The seal must not be turned!

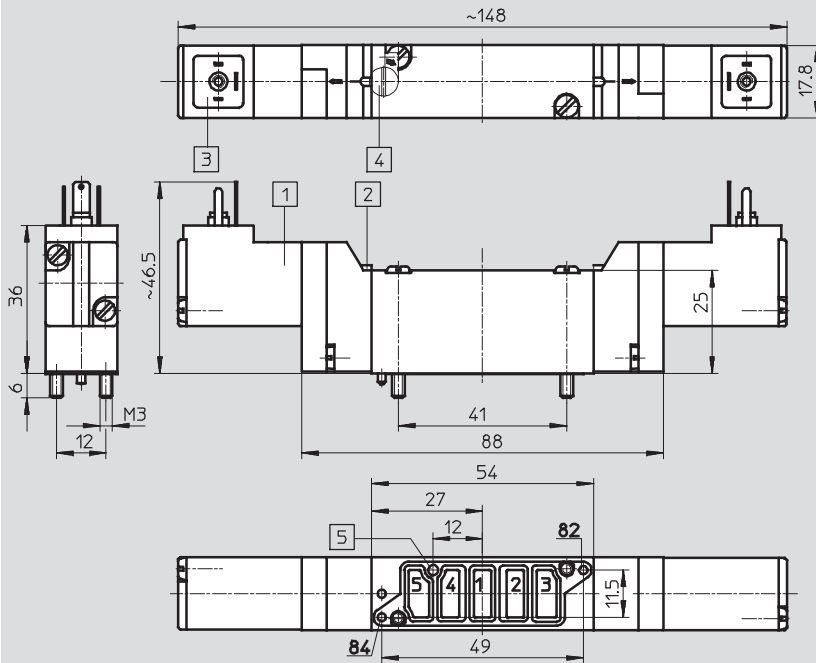
Solenoid valves MEBH, midi pneumatics

Technical data – 5/2-way valves, double solenoid

Dimensions

Download CAD Data → www.festo.com/us/cad

Sub-base valve



- 1) Solenoid coil can be rotated 180°¹⁾
 - 2) Manual override
 - 3) Suitable for plug sockets to EN 175 301-803, form C: MSSD-EB or KMEB-...
 - 4) Manual override tool (accessory) AHB-ME-1/8
 - 5) Port for external pilot air on S types
- 1) The seal must not be turned!

Ordering data

Circuit symbol	Description	Voltage	Part No.	Type
Internal pilot air supply				
	Semi in-line valve with thread G1/8	24 V DC	173 034	JMEBH-5/2-1/8-B
		110 V AC	173 040	JMEBH-5/2-1/8-B-110AC
		230 V AC	173 082	JMEBH-5/2-1/8-B-230AC
	Semi in-line valve for manifold PRS-ME	24 V DC	173 036	JMEBH-5/2-1/8-P-B
		110 V AC	173 054	JMEBH-5/2-1/8-P-B-110AC
		230 V AC	173 096	JMEBH-5/2-1/8-P-B-230AC
	Sub-base valve	24 V DC	173 035	JMEBH-5/2-5,0-B
		110 V AC	173 068	JMEBH-5/2-5,0-B-110AC
		230 V AC	173 110	JMEBH-5/2-5,0-B-230AC
External pilot air supply				
	Semi in-line valve with thread G1/8	24 V DC	173 037	JMEBH-5/2-1/8-S-B
		110 V AC	173 041	JMEBH-5/2-1/8-S-B-110AC
		230 V AC	173 083	JMEBH-5/2-1/8-S-B-230AC
	Semi in-line valve for manifold PRS-ME	24 V DC	173 039	JMEBH-5/2-1/8-P-S-B
		110 V AC	173 055	JMEBH-5/2-1/8-P-S-B-110AC
		230 V AC	173 097	JMEBH-5/2-1/8-P-S-B-230AC
	Sub-base valve	24 V DC	173 038	JMEBH-5/2-5,0-S-B
		110 V AC	173 069	JMEBH-5/2-5,0-S-B-110AC
		230 V AC	173 111	JMEBH-5/2-5,0-S-B-230AC

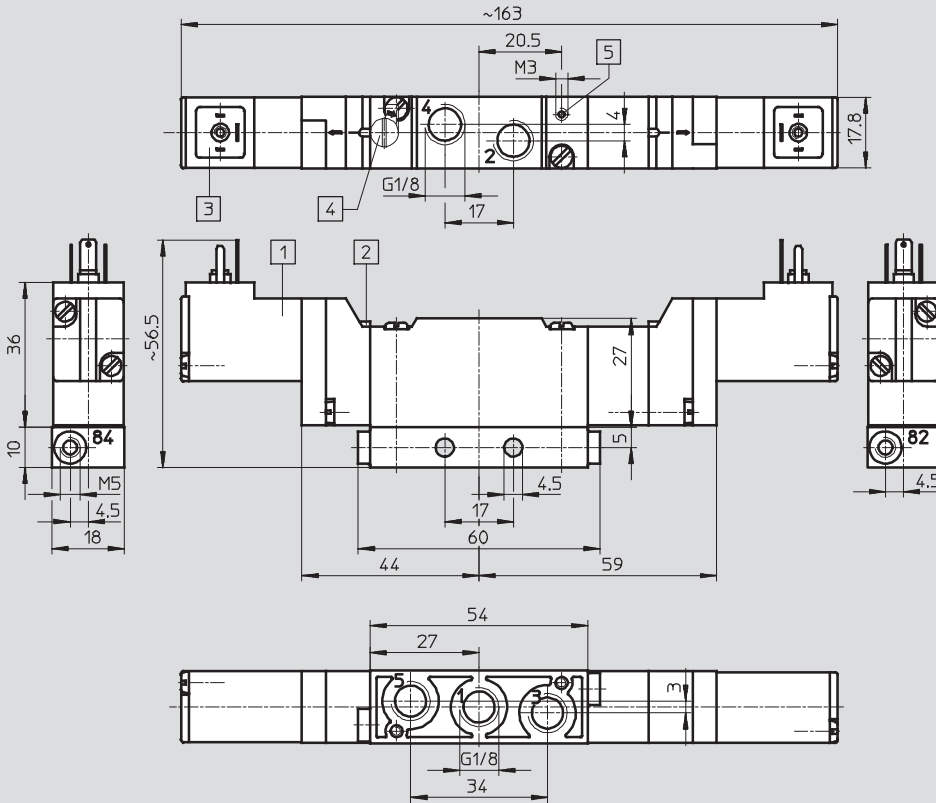
Solenoid valves MEBH, midi pneumatics

Technical data – 5/3-way valves

Dimensions

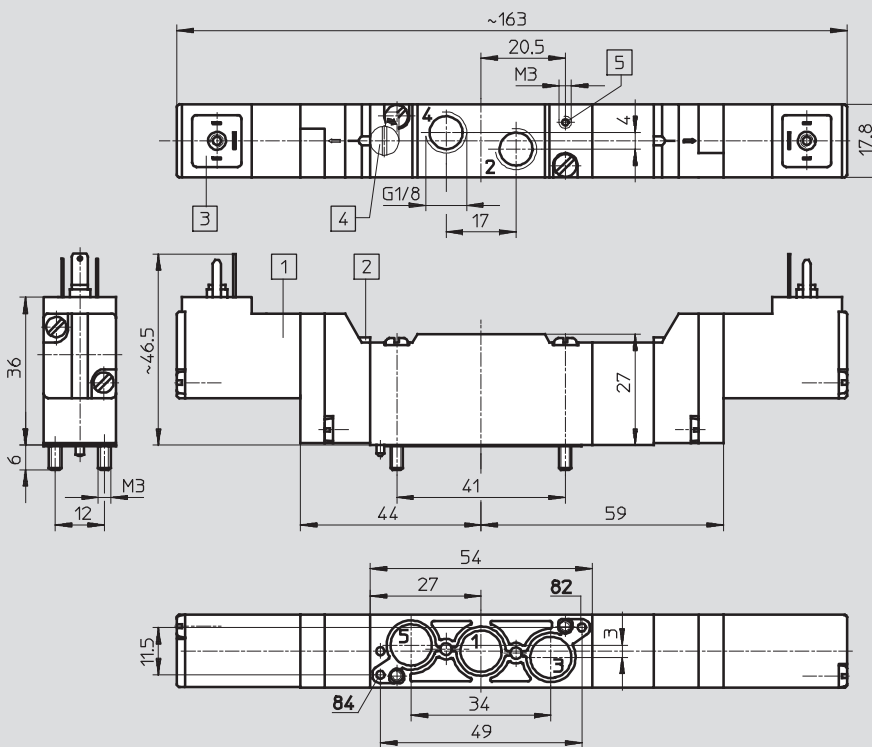
Download CAD Data → www.festo.com/us/cad

Semi in-line valve with thread G1/8



- 1) Solenoid coil can be rotated 180°¹⁾
 - 2) Manual override
 - 3) Suitable for plug sockets to EN 175 301-803, form C: MSSD-EB or KMEB-...
 - 4) Manual override tool (accessory) AHB-ME-1/8
 - 5) Port for external pilot air on S types
- 1) The seal must not be turned!

Semi in-line valve for manifold PRS-ME



- 1) Solenoid coil can be rotated 180°¹⁾
 - 2) Manual override
 - 3) Suitable for plug sockets to EN 175301-803, form C: MSSD-EB or KMEB-...
 - 4) Manual override tool (accessory) AHB-ME-1/8
 - 5) Port for external pilot air on S types
- 1) The seal must not be turned!

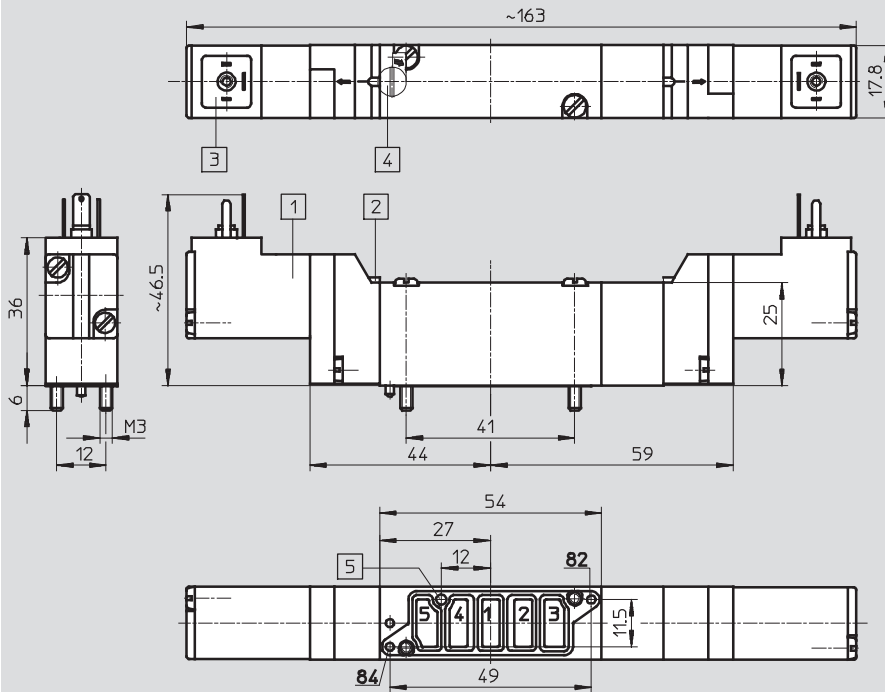
Solenoid valves MEBH, midi pneumatics

Technical data – 5/3-way valves

Dimensions

Download CAD Data → www.festo.com/us/cad

Sub-base valve



- 1) Solenoid coil can be rotated 180°¹⁾
 - 2) Manual override
 - 3) Suitable for plug sockets to EN 175 301-803, form C: MSSD-EB or KMEB-...
 - 4) Manual override tool (accessory) AHB-ME-1/8
 - 5) Port for external pilot air on S types
- 1) The seal must not be turned!

Ordering data

Circuit symbol	Description	Voltage	Part No.	Type
Normally closed, internal pilot air supply				
	Semi in-line valve with thread G1/8	24 V DC	173 016	MEBH-5/3G-1/8-B
		110 V AC	173 051	MEBH-5/3G-1/8-B-110AC
		230 V AC	173 093	MEBH-5/3G-1/8-B-230AC
	Semi in-line valve for manifold PRS-ME	24 V DC	173 018	MEBH-5/3G-1/8-P-B
		110 V AC	173 065	MEBH-5/3G-1/8-P-B-110AC
		230 V AC	173 107	MEBH-5/3G-1/8-P-B-230AC
	Sub-base valve	24 V DC	173 017	MEBH-5/3G-5,0-B
		110 V AC	173 079	MEBH-5/3G-5,0-B-110AC
		230 V AC	173 121	MEBH-5/3G-5,0-B-230AC
Normally closed, external pilot air supply				
	Semi in-line valve with thread G1/8	24 V DC	173 019	MEBH-5/3G-1/8-S-B
		110 V AC	173 052	MEBH-5/3G-1/8-S-B-110AC
		230 V AC	173 094	MEBH-5/3G-1/8-S-B-230AC
	Semi in-line valve for manifold PRS-ME	24 V DC	173 021	MEBH-5/3G-1/8-P-S-B
		110 V AC	173 066	MEBH-5/3G-1/8-P-S-B-110AC
		230 V AC	173 108	MEBH-5/3G-1/8-P-S-B-230AC
	Sub-base valve	24 V DC	173 020	MEBH-5/3G-5,0-S-B
		110 V AC	173 080	MEBH-5/3G-5,0-S-B-110AC
		230 V AC	173 122	MEBH-5/3G-5,0-S-B-230AC

Solenoid valves MEBH, midi pneumatics

Technical data – 5/3-way valves

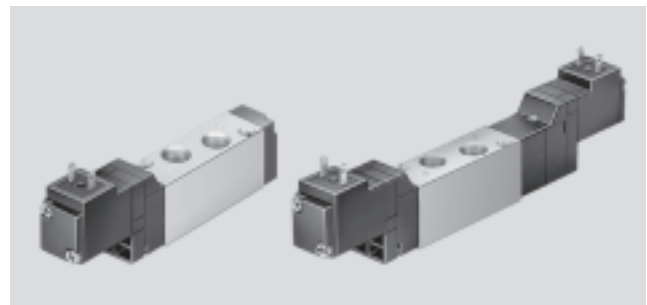
Ordering data				
Circuit symbol	Description	Voltage	Part No.	Type
Normally exhausted, internal pilot air supply				
	Semi in-line valve with thread G $\frac{1}{8}$	24 V DC	173 022	MEBH-5/3E- $\frac{1}{8}$ -B
		110 V AC	173 049	MEBH-5/3E- $\frac{1}{8}$ -B-110AC
		230 V AC	173 091	MEBH-5/3E- $\frac{1}{8}$ -B-230AC
	Semi in-line valve for manifold PRS-ME	24 V DC	173 024	MEBH-5/3E- $\frac{1}{8}$ -P-B
		110 V AC	173 063	MEBH-5/3E- $\frac{1}{8}$ -P-B-110AC
		230 V AC	173 105	MEBH-5/3E- $\frac{1}{8}$ -P-B-230AC
	Sub-base valve	24 V DC	173 023	MEBH-5/3E-5,0-B
		110 V AC	173 077	MEBH-5/3E-5,0-B-110AC
		230 V AC	173 119	MEBH-5/3E-5,0-B-230AC
Normally exhausted, external pilot air supply				
	Semi in-line valve with thread G $\frac{1}{8}$	24 V DC	173 025	MEBH-5/3E- $\frac{1}{8}$ -S-B
		110 V AC	173 050	MEBH-5/3E- $\frac{1}{8}$ -S-B-110AC
		230 V AC	173 092	MEBH-5/3E- $\frac{1}{8}$ -S-B-230AC
	Semi in-line valve for manifold PRS-ME	24 V DC	173 027	MEBH-5/3E- $\frac{1}{8}$ -P-S-B
		110 V AC	173 064	MEBH-5/3E- $\frac{1}{8}$ -P-S-B-110AC
		230 V AC	173 106	MEBH-5/3E- $\frac{1}{8}$ -P-S-B-230AC
	Sub-base valve	24 V DC	173 026	MEBH-5/3E-5,0-S-B
		110 V AC	173 078	MEBH-5/3E-5,0-S-B-110AC
		230 V AC	173 120	MEBH-5/3E-5,0-S-B-230AC
Normally pressurised, internal pilot air supply				
	Semi in-line valve with thread G $\frac{1}{8}$	24 V DC	173 028	MEBH-5/3B- $\frac{1}{8}$ -B
		110 V AC	173 047	MEBH-5/3B- $\frac{1}{8}$ -B-110AC
		230 V AC	173 089	MEBH-5/3B- $\frac{1}{8}$ -B-230AC
	Semi in-line valve for manifold PRS-ME	24 V DC	173 030	MEBH-5/3B- $\frac{1}{8}$ -P-B
		110 V AC	173 061	MEBH-5/3B- $\frac{1}{8}$ -P-B-110AC
		230 V AC	173 103	MEBH-5/3B- $\frac{1}{8}$ -P-B-230AC
	Sub-base valve	24 V DC	173 029	MEBH-5/3B-5,0-B
		110 V AC	173 075	MEBH-5/3B-5,0-B-110AC
		230 V AC	173 117	MEBH-5/3B-5,0-B-230AC
Normally pressurised, external pilot air supply				
	Semi in-line valve with thread G $\frac{1}{8}$	24 V DC	173 031	MEBH-5/3B- $\frac{1}{8}$ -S-B
		110 V AC	173 048	MEBH-5/3B- $\frac{1}{8}$ -S-B-110AC
		230 V AC	173 090	MEBH-5/3B- $\frac{1}{8}$ -S-B-230AC
	Semi in-line valve for manifold PRS-ME	24 V DC	173 033	MEBH-5/3B- $\frac{1}{8}$ -P-S-B
		110 V AC	173 062	MEBH-5/3B- $\frac{1}{8}$ -P-S-B-110AC
		230 V AC	173 104	MEBH-5/3B- $\frac{1}{8}$ -P-S-B-230AC
	Sub-base valve	24 V DC	173 032	MEBH-5/3B-5,0-S-B
		110 V AC	173 076	MEBH-5/3B-5,0-S-B-110AC
		230 V AC	173 118	MEBH-5/3B-5,0-S-B-230AC

Solenoid valves MEH, midi pneumatics

Technical data

Flow rate
200 ... 700 l/min

Voltage
24 V DC



General technical data							
Type		MEH-3/2-...	MEH-5/2-...	JMEH-5/2-...	MEH-5/3...		
Design		Piston spool					
Type of mounting	...-1/8	2 through-holes					
	...-5.0	On sub-base with two M3 screws					
	...-1/8-P	On manifold with two M3 screws					
Pneumatic connection	...-1/8	G1/8					
	...-5.0	Sub-base					
	...-1/8-P	G1/8					
Nominal size	[mm]	5					
Standard nominal flow rate 1 > 2, 1 > 4					G	E	B
	...-1/8	600/500	600	650	600	300	200
	...-5.0	700/600	700	700	500	400	400
	...-1/8-P	600/500	600	650	650	300	200
Materials		Housing: Aluminium Seals: Nitrile rubber					
Weight	[g]						
	...-1/8	105	105	142	153		
	...-5.0	105	105	146	150		
...-1/8-P	105	105	142	153			

Operating and environmental conditions							
Type		MEH-3/2-...	MEH-5/2-...	JMEH-5/2-...	MEH-5/3...		
Operating medium		Compressed air in accordance with ISO 8573-1:2010 [7:4:4] ¹⁾					
Note on operating/pilot medium		Operation with lubricated medium possible (in which case lubricated operation will always be required)					
Operating pressure range	Internal pilot air supply	[bar]	2 ... 8	2.5 ... 8	1.5 ... 8	3 ... 8	
	External pilot air supply	[bar]	–	–0.9 ... +10			
Pilot pressure range		[bar]	–	2.5 ... 8	1.5 ... 8	3 ... 8	
Ambient temperature		[°C]	–5 ... +50				
Temperature of medium		[°C]	–5 ... +50				
Note on materials		RoHS-compliant					

1) Only oils of viscosity class 32 may be used for lubricated operation.

Solenoid valves MEH, midi pneumatics

Technical data

Valve response times [ms]							
Type	MEH-3/2-... MOEH-3/2-...		MEH-5/2-...		JMEH-5/2-...	MEH-5/3...	
Type of reset	mechanical	pneumatic	mechanical	pneumatic	–	mechanical	pneumatic
On	10	–	10	15	–	12	–
Off	28	–	28	18	–	25	–
Changeover	–	–	–	–	10	–	–

Electrical data	
E solenoid coil	
Electrical connection	Plug, square
Operating voltage	[V DC] 24
Coil characteristics	[W] 1.5
Protection class to EN 60 529	IP65 (in combination with plug socket)

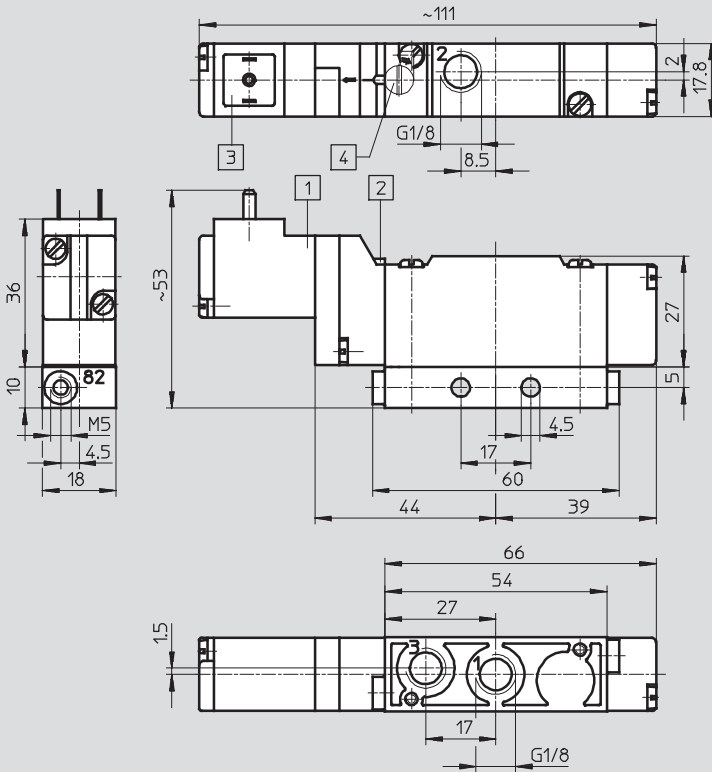
Solenoid valves MEH, midi pneumatics

Technical data – 3/2-way valves

Dimensions

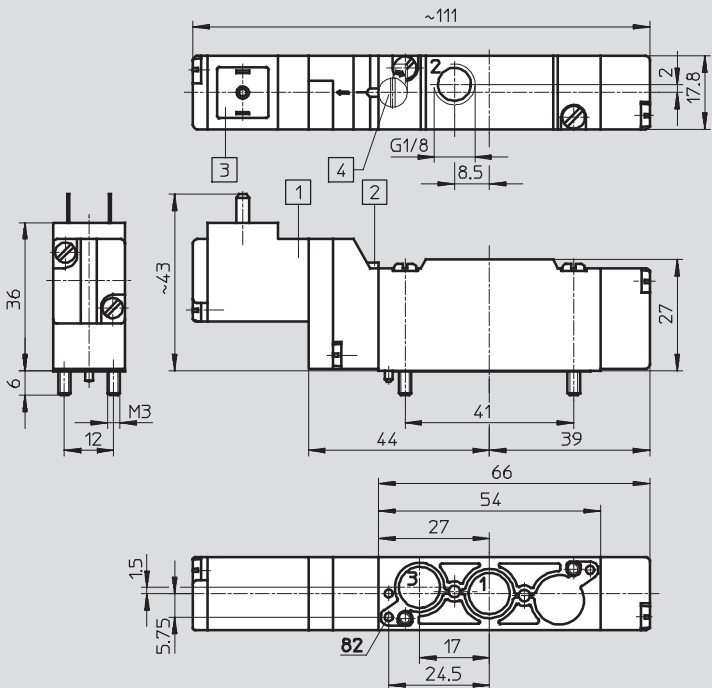
Download CAD Data → www.festo.com/us/cad

Semi in-line valve with thread G1/8



- 1) Solenoid coil can be rotated 180°¹⁾
 - 2) Manual override
 - 3) Suitable for terminal sockets to DIN 46 247 or plug sockets MSSD-E type KME type
 - 4) Manual override tool (accessory) AHB-ME-1/8
- 1) The seal must not be turned!

Semi in-line valve for manifold PRS-ME



- 1) Solenoid coil can be rotated 180°¹⁾
 - 2) Manual override
 - 3) Suitable for terminal sockets to DIN 46 247 or plug sockets MSSD-E type KME type
 - 4) Manual override tool (accessory) AHB-ME-1/8
- 1) The seal must not be turned!

Solenoid valves MEH, midi pneumatics

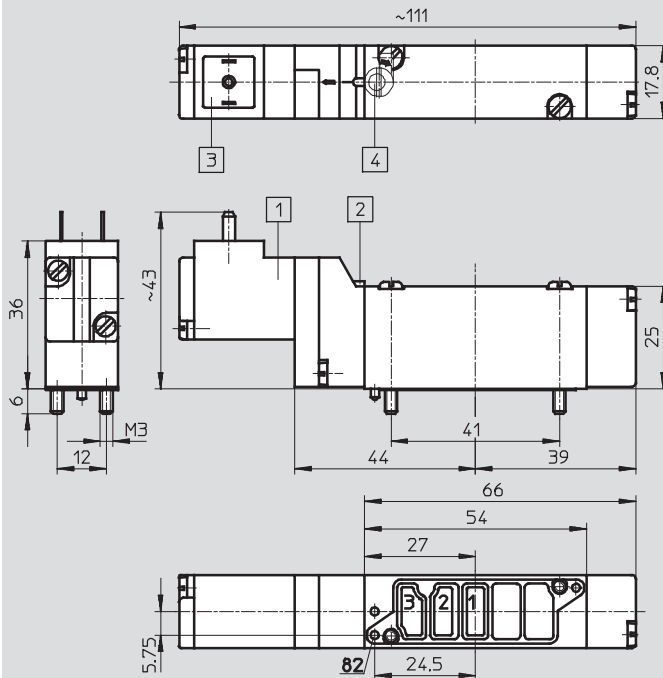
Technical data – 3/2-way valves



Dimensions

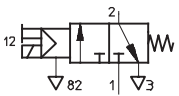
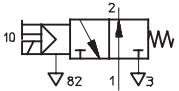
Download CAD Data → www.festo.com/us/cad

Sub-base valve



- 1 Solenoid coil can be rotated 180°¹⁾
 - 2 Manual override
 - 3 Suitable for terminal sockets to DIN 46 247 or plug sockets MSSD-E type KME type
 - 4 Manual override tool (accessory) AHB-ME-1/8
- 1) The seal must not be turned!

Ordering data

Circuit symbol	Description	Voltage	Part No.	Type
Normally closed				
	Semi in-line valve with thread G1/8	24 V DC	173 124	MEH-3/2-1/8-B
	Semi in-line valve for manifold PRS-ME		173 126	MEH-3/2-1/8-P-B
	Sub-base valve		173 125	MEH-3/2-5,0-B
Normally open				
	Semi in-line valve with thread G1/8	24 V DC	173 428	MOEH-3/2-1/8-B
	Semi in-line valve for manifold PRS-ME		173 430	MOEH-3/2-1/8-P-B
	Sub-base valve		173 429	MOEH-3/2-5,0-B

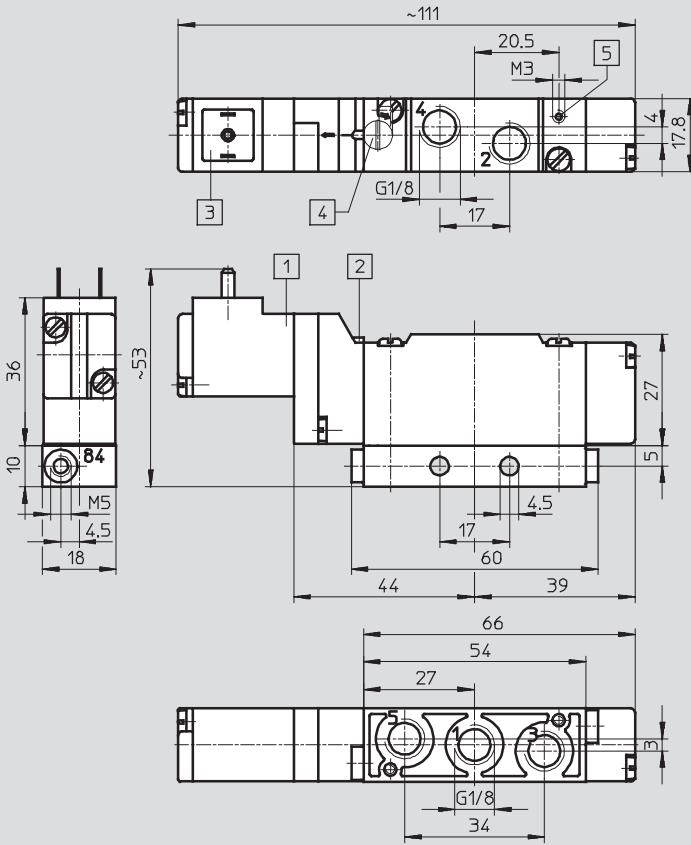
Solenoid valves MEH, midi pneumatics

Technical data – 5/2-way valves

Dimensions

Download CAD Data → www.festo.com/us/cad

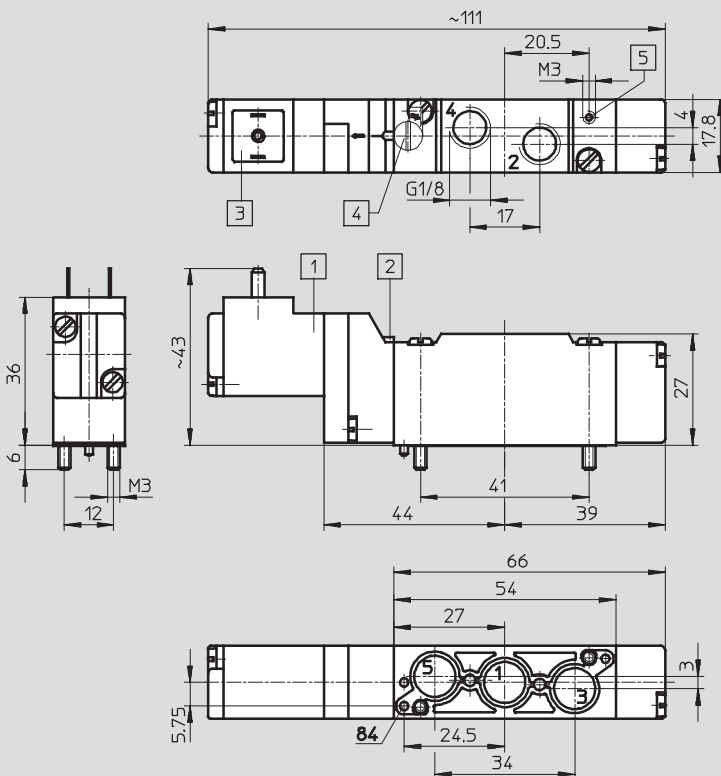
Semi in-line valve with thread G1/8



- 1) Solenoid coil can be rotated 180°¹⁾
- 2) Manual override
- 3) Suitable for terminal sockets to DIN 46247 or plug sockets MSSD-E type KME type
- 4) Manual override tool (accessory) AHB-ME-1/8
- 5) Port for external pilot air on S types

1) The seal must not be turned!

Semi in-line valve for manifold PRS-ME



- 1) Solenoid coil can be rotated 180°¹⁾
- 2) Manual override
- 3) Suitable for terminal sockets to DIN 46247 or plug sockets MSSD-E type KME type
- 4) Manual override tool (accessory) AHB-ME-1/8
- 5) Port for external pilot air on S types

1) The seal must not be turned!

Solenoid valves MEH, midi pneumatics

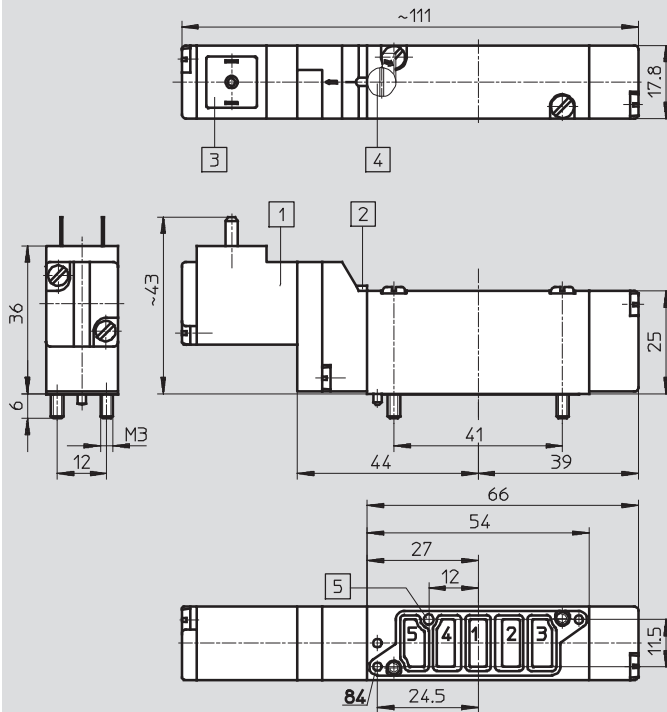
Technical data – 5/2-way valves

FESTO

Dimensions

Download CAD Data → www.festo.com/us/cad

Sub-base valve



- 1 Solenoid coil can be rotated 180°¹⁾
- 2 Manual override
- 3 Suitable for terminal sockets to DIN 46247 or plug sockets MSSD-E type KME type
- 4 Manual override tool (accessory) AHB-ME-1/8
- 5 Port for external pilot air on S types

1) The seal must not be turned!

Solenoid valves MEH, midi pneumatics

Technical data – 5/2-way valves

Ordering data				
Circuit symbol	Description	Voltage	Part No.	Type
Mechanical spring return, internal pilot air supply				
	Semi in-line valve with thread G1/8	24 V DC	173 127	MEH-5/2-1/8-B
	Semi in-line valve for manifold PRS-ME		173 129	MEH-5/2-1/8-P-B
	Sub-base valve		173 128	MEH-5/2-5,0-B
Mechanical spring return, external pilot air supply				
	Semi in-line valve with thread G1/8	24 V DC	173 130	MEH-5/2-1/8-S-B
	Semi in-line valve for manifold PRS-ME		173 132	MEH-5/2-1/8-P-S-B
	Sub-base valve		173 131	MEH-5/2-5,0-S-B
Pneumatic spring return, internal pilot air supply				
	Semi in-line valve with thread G1/8	24 V DC	173 133	MEH-5/2-1/8-L-B
	Semi in-line valve for manifold PRS-ME		173 135	MEH-5/2-1/8-P-L-B
	Sub-base valve		173 134	MEH-5/2-5,0-L-B
Pneumatic spring return, external pilot air supply				
	Semi in-line valve with thread G1/8	24 V DC	173 136	MEH-5/2-1/8-L-S-B
	Semi in-line valve for manifold PRS-ME		173 138	MEH-5/2-1/8-P-L-S-B
	Sub-base valve		173 137	MEH-5/2-5,0-L-S-B

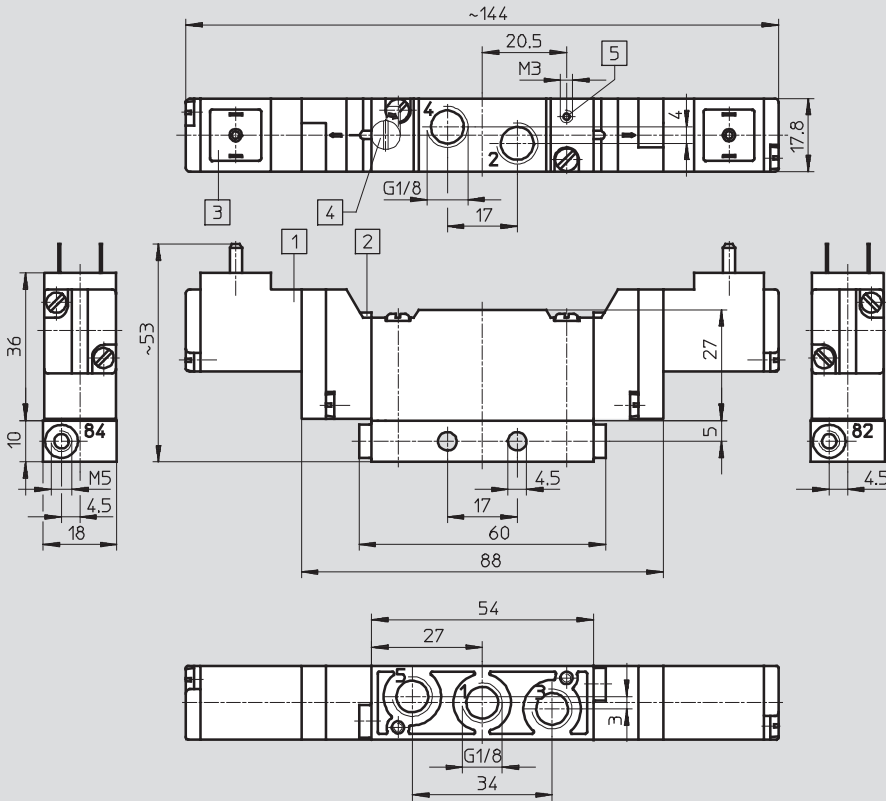
Solenoid valves MEH, midi pneumatics

Technical data – 5/2-way valves, double solenoid

Dimensions

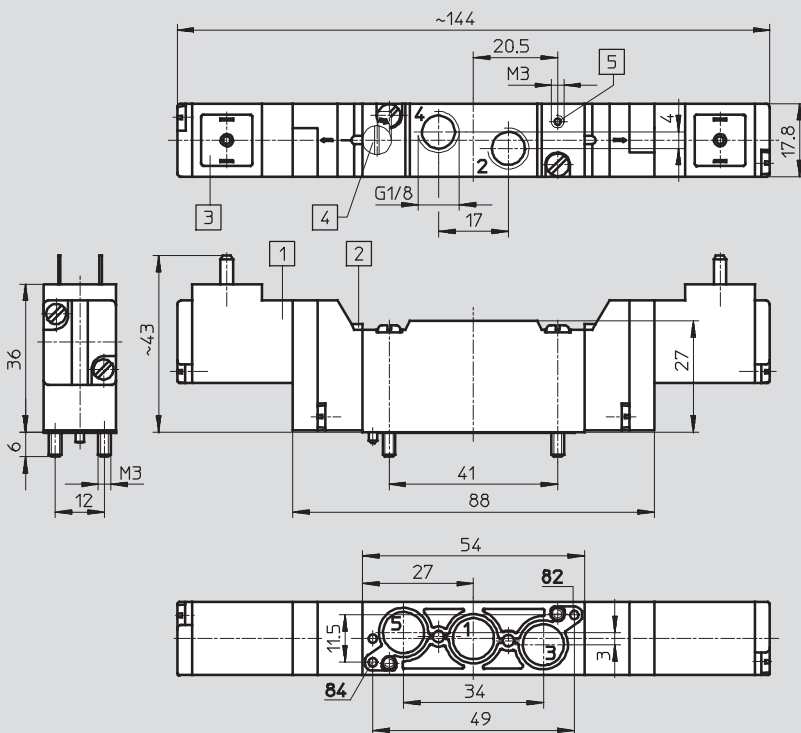
Download CAD Data → www.festo.com/us/cad

Semi in-line valve with thread G1/8



- 1) Solenoid coil can be rotated 180°¹⁾
 - 2) Manual override
 - 3) Suitable for terminal sockets to DIN 46 247 or plug sockets MSSD-E type KME type
 - 4) Manual override tool (accessory) AHB-ME-1/8
 - 5) Port for external pilot air on S types
- 1) The seal must not be turned!

Semi in-line valve for manifold PRS-ME



- 1) Solenoid coil can be rotated 180°¹⁾
 - 2) Manual override
 - 3) Suitable for terminal sockets to DIN 46 247 or plug sockets MSSD-E type KME type
 - 4) Manual override tool (accessory) AHB-ME-1/8
 - 5) Port for external pilot air on S types
- 1) The seal must not be turned!

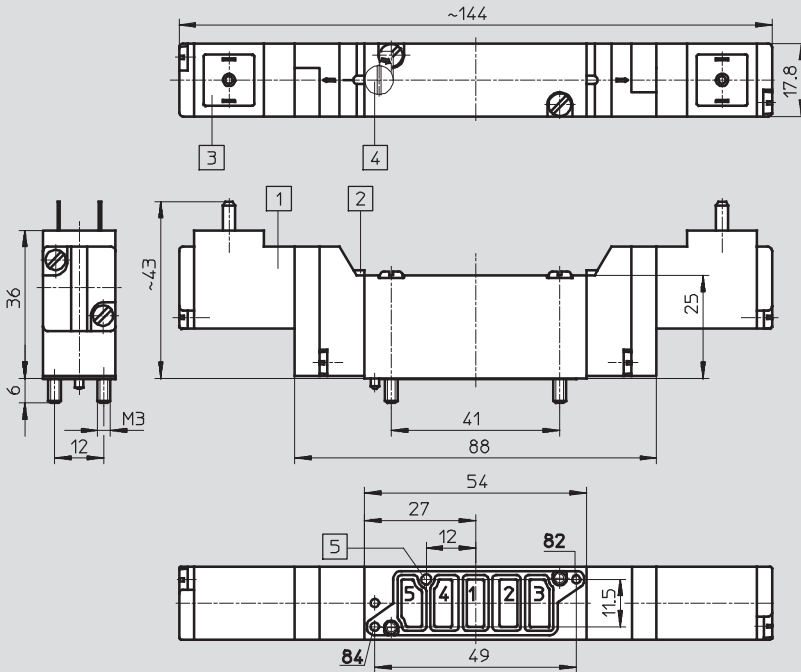
Solenoid valves MEH, midi pneumatics

Technical data – 5/2-way valves, double solenoid

Dimensions

Download CAD Data → www.festo.com/us/cad

Sub-base valve



- 1 Solenoid coil can be rotated 180°¹⁾
 - 2 Manual override
 - 3 Suitable for terminal sockets to DIN 46 247 or plug sockets MSSD-E type KME type
 - 4 Manual override tool (accessory) AHB-ME-1/8
 - 5 Port for external pilot air on S types
- 1) The seal must not be turned!

Ordering data

Circuit symbol	Description	Voltage	Part No.	Type
5/2-way valves				
Internal pilot air supply				
	Semi in-line valve with thread G1/8	24 V DC	173 431	JMEH-5/2-1/8-B
	Semi in-line valve for manifold PRS-ME		173 433	JMEH-5/2-1/8-P-B
	Sub-base valve		173 432	JMEH-5/2-5,0-B
External pilot air supply				
	Semi in-line valve with thread G1/8	24 V DC	173 434	JMEH-5/2-1/8-S-B
	Semi in-line valve for manifold PRS-ME		173 436	JMEH-5/2-1/8-P-S-B
	Sub-base valve		173 435	JMEH-5/2-5,0-S-B

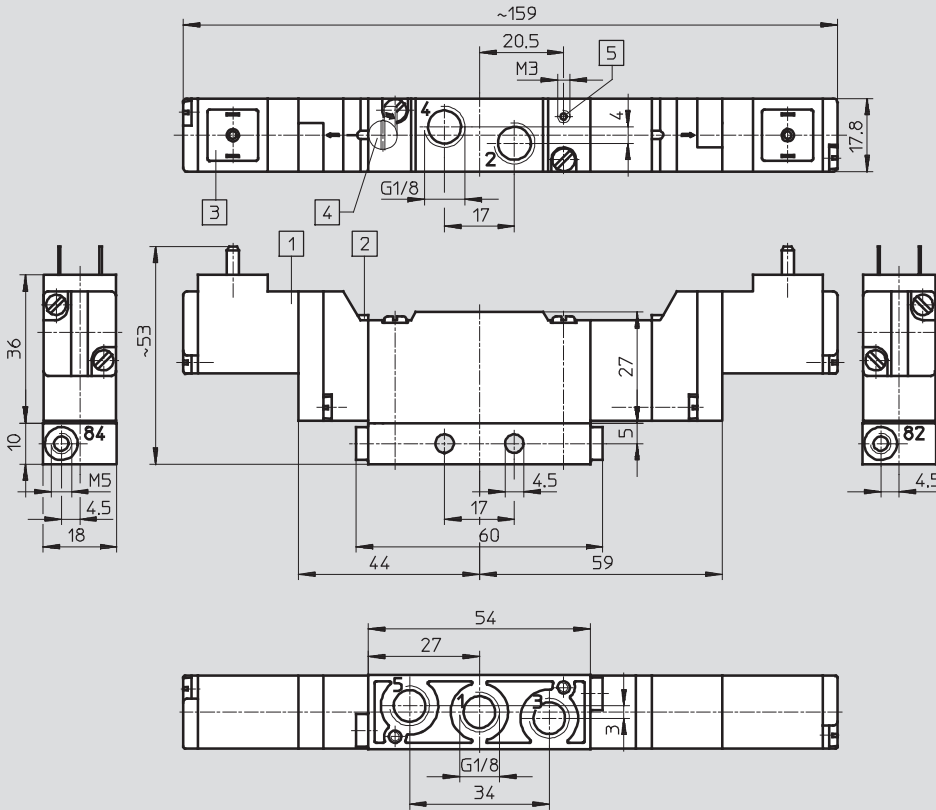
Solenoid valves MEH, midi pneumatics

Technical data – 5/3-way valves

Dimensions

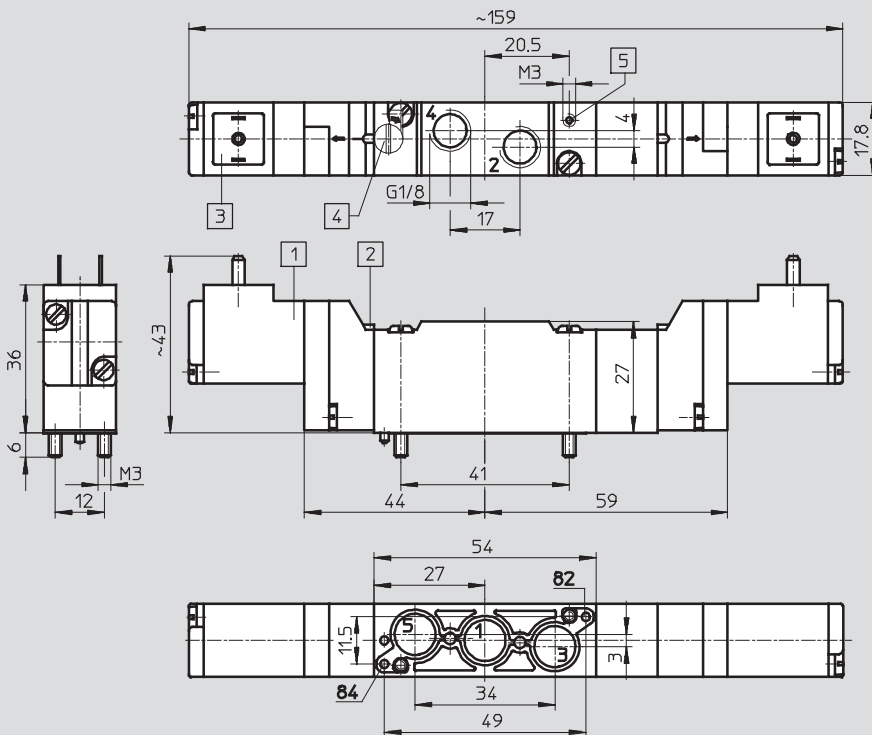
Download CAD Data → www.festo.com/us/cad

Semi in-line valve with thread G1/8



- 1) Solenoid coil can be rotated 180°¹⁾
 - 2) Manual override
 - 3) Suitable for terminal sockets to DIN 46 247 or plug sockets MSSD-E type KME type
 - 4) Manual override tool (accessory) AHB-ME-1/8
 - 5) Port for external pilot air on S types
- 1) The seal must not be turned!

Semi in-line valve for manifold PRS-ME



- 1) Solenoid coil can be rotated 180°¹⁾
 - 2) Manual override
 - 3) Suitable for terminal sockets to DIN 46 247 or plug sockets MSSD-E type KME type
 - 4) Manual override tool (accessory) AHB-ME-1/8
 - 5) Port for external pilot air on S types
- 1) The seal must not be turned!

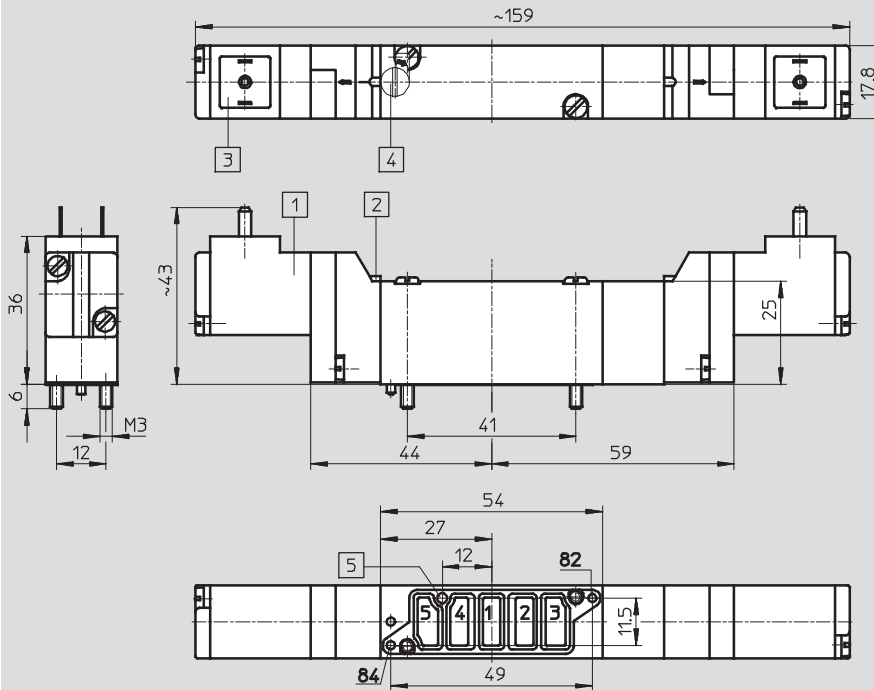
Solenoid valves MEH, midi pneumatics

Technical data – 5/3-way valves

Dimensions

Download CAD Data → www.festo.com/us/cad

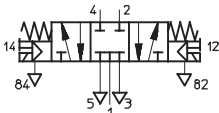
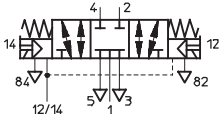
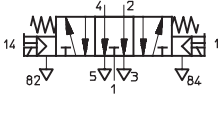
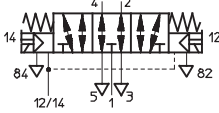
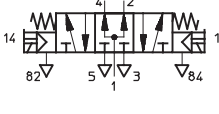
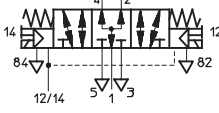
Sub-base valve



- 1) Solenoid coil can be rotated 180°¹⁾
 - 2) Manual override
 - 3) Suitable for terminal sockets to DIN 46 247 or plug sockets MSSD-E type KME type
 - 4) Manual override tool (accessory) AHB-ME-1/8
 - 5) Port for external pilot air on S types
- 1) The seal must not be turned!

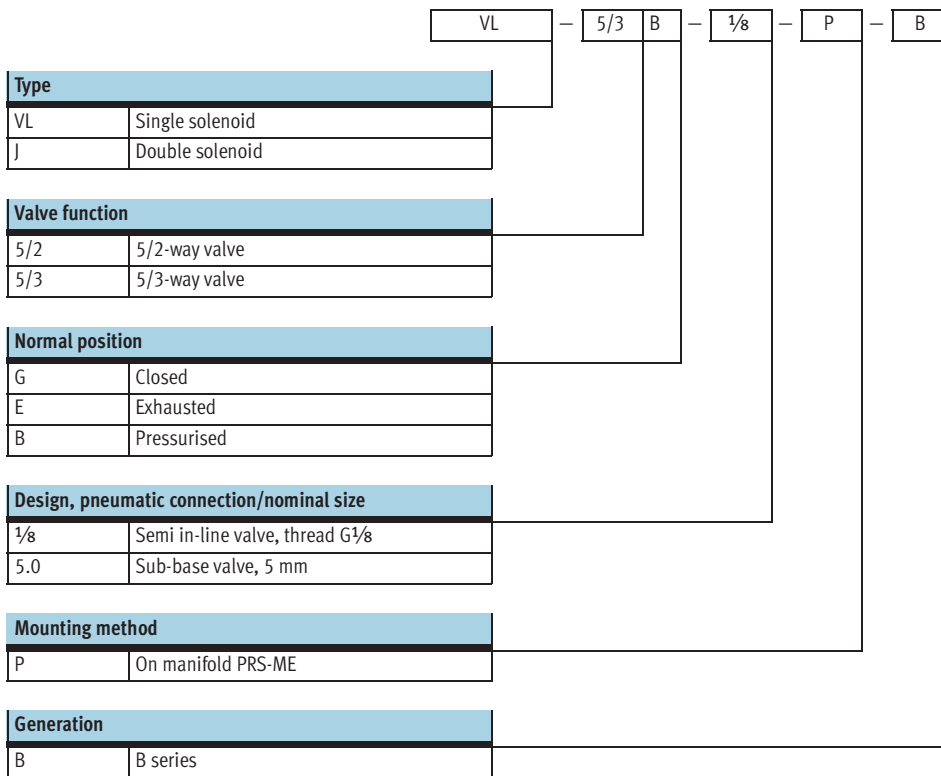
Solenoid valves MEH, midi pneumatics

Technical data – 5/3-way valves

Ordering data				
Circuit symbol	Description	Voltage	Part No.	Type
Normally closed, internal pilot air supply				
	Semi in-line valve with thread G $\frac{1}{8}$	24 V DC	173 139	MEH-5/3G- $\frac{1}{8}$ -B
	Semi in-line valve for manifold PRS-ME		173 141	MEH-5/3G- $\frac{1}{8}$ -P-B
	Sub-base valve		173 140	MEH-5/3G-5,0-B
Normally closed, external pilot air supply				
	Semi in-line valve with thread G $\frac{1}{8}$	24 V DC	173 142	MEH-5/3G- $\frac{1}{8}$ -S-B
	Semi in-line valve for manifold PRS-ME		173 144	MEH-5/3G- $\frac{1}{8}$ -P-S-B
	Sub-base valve		173 143	MEH-5/3G-5,0-S-B
Normally exhausted, internal pilot air supply				
	Semi in-line valve with thread G $\frac{1}{8}$	24 V DC	173 145	MEH-5/3E- $\frac{1}{8}$ -B
	Semi in-line valve for manifold PRS-ME		173 147	MEH-5/3E- $\frac{1}{8}$ -P-B
	Sub-base valve		173 146	MEH-5/3E-5,0-B
Normally exhausted, external pilot air supply				
	Semi in-line valve with thread G $\frac{1}{8}$	24 V DC	173 148	MEH-5/3E- $\frac{1}{8}$ -S-B
	Semi in-line valve for manifold PRS-ME		173 150	MEH-5/3E- $\frac{1}{8}$ -P-S-B
	Sub-base valve		173 149	MEH-5/3E-5,0-S-B
Normally pressurised, internal pilot air supply				
	Semi in-line valve with thread G $\frac{1}{8}$	24 V DC	173 151	MEH-5/3B- $\frac{1}{8}$ -B
	Semi in-line valve for manifold PRS-ME		173 153	MEH-5/3B- $\frac{1}{8}$ -P-B
	Sub-base valve		173 152	MEH-5/3B-5,0-B
Normally pressurised, external pilot air supply				
	Semi in-line valve with thread G $\frac{1}{8}$	24 V DC	173 154	MEH-5/3B- $\frac{1}{8}$ -S-B
	Semi in-line valve for manifold PRS-ME		173 156	MEH-5/3B- $\frac{1}{8}$ -P-S-B
	Sub-base valve		173 155	MEH-5/3B-5,0-S-B

Pneumatic valves VL/J, midi pneumatics

Type codes



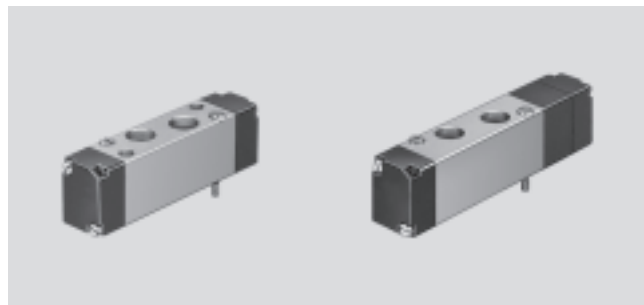
Pneumatic valves VL/J, midi pneumatics

FESTO

Technical data

Flow rate

300 ... 700 l/min



General technical data											
Type		VL-5/2-...	J-5/2-...	VL-5/3...							
Design		Piston spool, directly actuated									
Type of mounting	...-1/8	2 through-holes									
	...-5.0	On sub-base with two M3 screws									
	...-1/8-P	On manifold with two M3 screws									
Pneumatic connection	Working lines	...-1/8	G1/8								
		...-5.0	On sub-base								
	Pilot line	...-1/8-P	G1/8								
Nominal size	[mm]	5									
Standard nominal flow rate	[l/min]	1 → 2, 1 → 4	...-1/8	600	650	G	E	B			
						...-5.0	700	700	500	350	300
						...-1/8-P	600	650	600	350	300
						600	650	500	350	300	
Materials		Housing: Aluminium Seals: Nitrile rubber									
Weight	[g]	...-1/8	75	75	95						
		...-5.0	65	65	85						
		...-1/8-P	60	60	80						

Operating and environmental conditions						
Type		VL-5/2-...	J-5/2-...	VL-5/3...		
Operating medium		Compressed air in accordance with ISO 8573-1:2010 [7:4:4] ¹⁾				
Note on operating/pilot medium		Operation with lubricated medium possible (in which case lubricated operation will always be required)				
Operating pressure range	[bar]	-0.9 ... +10				
Pilot pressure range	[bar]	2.5 ... 8	1.5 ... 8	3 ... 8		
Ambient temperature	[°C]	-5 ... +50				
Temperature of medium	[°C]	-5 ... +50				
Note on materials		RoHS-compliant				

1) Only oils of viscosity class 32 may be used for lubricated operation.

Valve response times [ms]			
Type	VL-5/2-...	J-5/2-...	VL-5/3-...
On	6	-	6
Off	24	-	22
Changeover	-	5	-

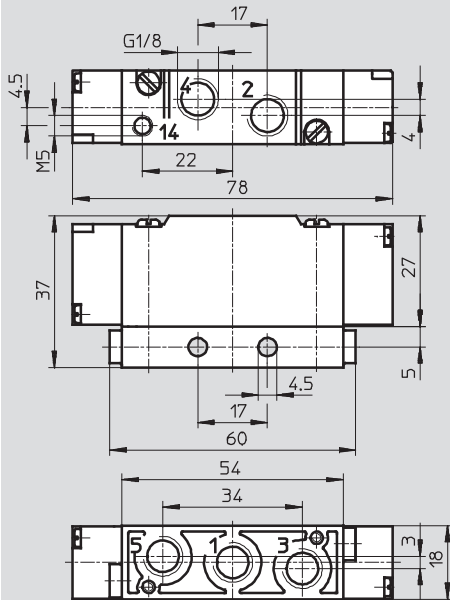
Pneumatic valves VL/J, midi pneumatics

Technical data – 5/2-way valves

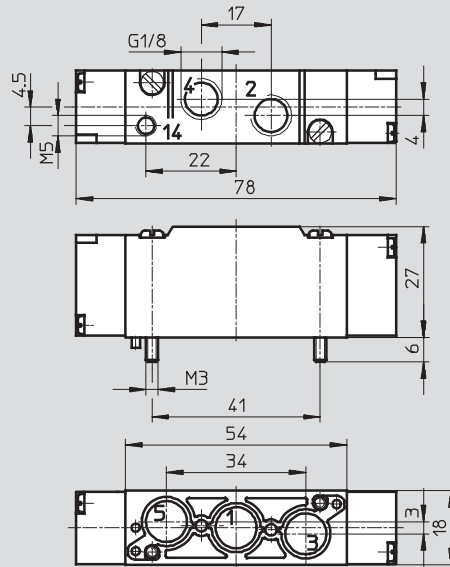
Dimensions

Download CAD Data → www.festo.com/us/cad

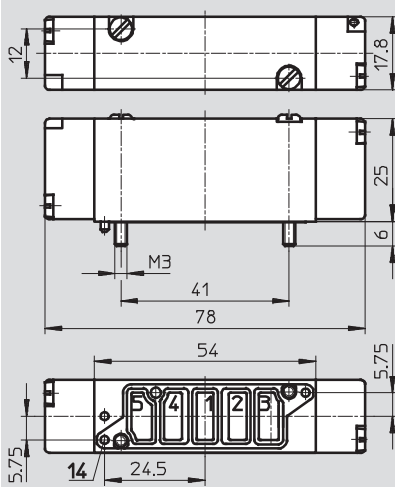
Semi in-line valve with thread G1/8



Semi in-line valve for manifold PRS-ME



Sub-base valve



Ordering data

Circuit symbol	Description	Part No.	Type
	Semi in-line valve with thread G1/8	173 168	VL-5/2-1/8-B
	Sub-base valve	173 169	VL-5/2-5,0-B
	Semi in-line valve for manifold PRS-ME	173 170	VL-5/2-1/8-P-B

Pneumatic valves VL/J, midi pneumatics

Technical data – 5/2-way valves, double pilot

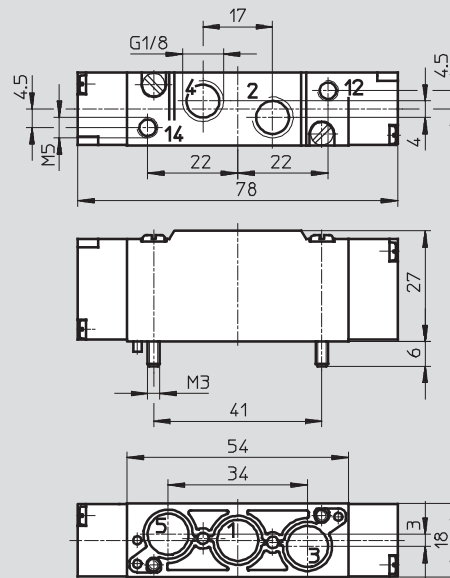
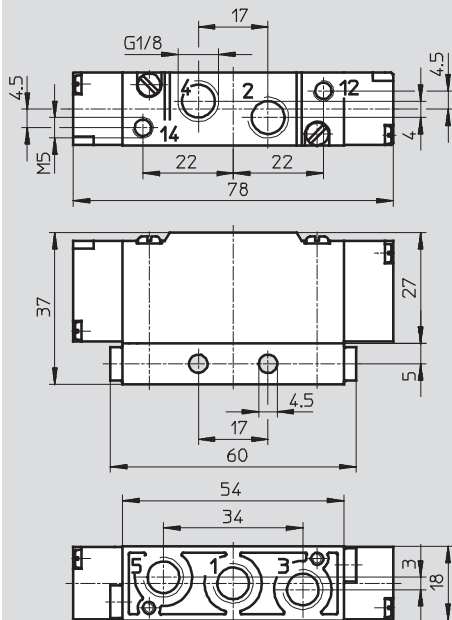


Dimensions

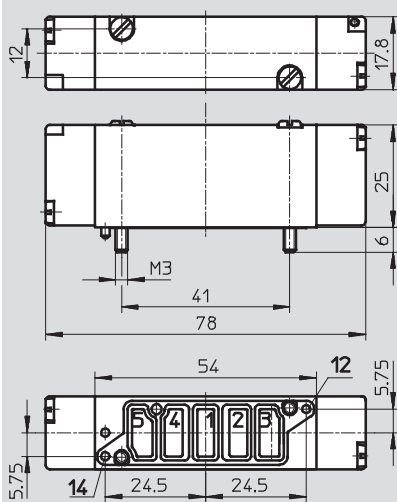
Download CAD Data → www.festo.com/us/cad

Semi in-line valve with thread G $\frac{1}{8}$

Semi in-line valve for manifold PRS-ME



Sub-base valve



Ordering data

Circuit symbol	Description	Part No.	Type
	Semi in-line valve with thread G $\frac{1}{8}$	173 171	J-5/2- $\frac{1}{8}$ -B
	Sub-base valve	173 172	J-5/2-5,0-B
	Semi in-line valve for manifold PRS-ME	173 173	J-5/2- $\frac{1}{8}$ -P-B

Pneumatic valves VL/J, midi pneumatics

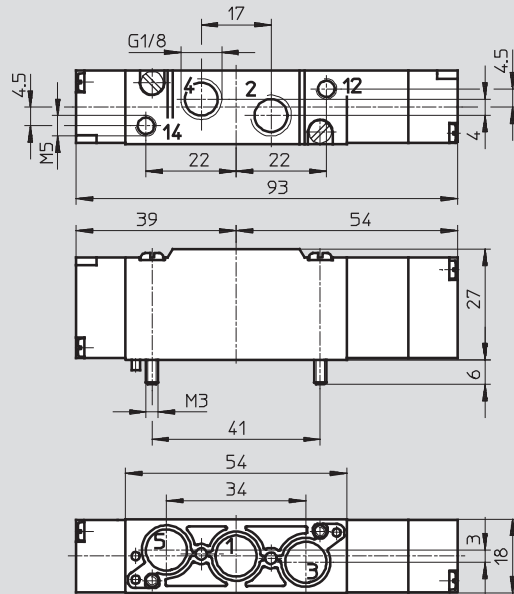
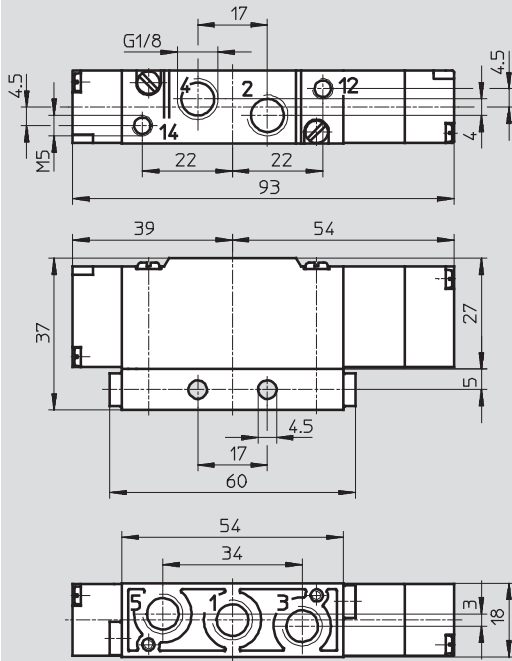
Technical data – 5/3-way valves

Dimensions

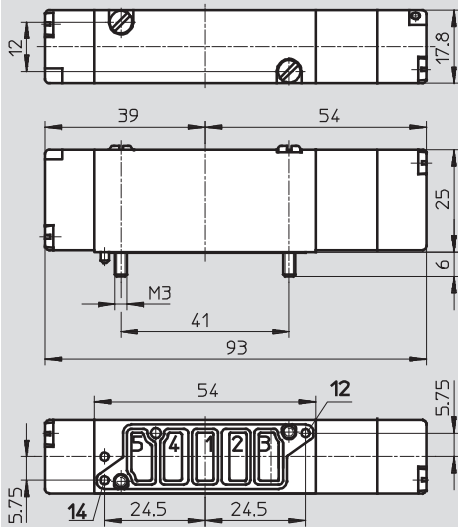
Download CAD Data → www.festo.com/us/cad

Semi in-line valve with thread G1/8

Semi in-line valve for manifold PRS-ME



Sub-base valve



Pneumatic valves VL/J, midi pneumatics

Technical data – 5/3-way valves

Ordering data			
Circuit symbol	Description	Part No.	Type
Normally closed			
	Semi in-line valve with thread G $\frac{1}{8}$	173 174	VL-5/3G- $\frac{1}{8}$ -B
	Sub-base valve	173 175	VL-5/3G-5,0-B
	Semi in-line valve for manifold PRS-ME	173 176	VL-5/3G- $\frac{1}{8}$ -P-B
Normally exhausted			
	Semi in-line valve with thread G $\frac{1}{8}$	173 177	VL-5/3E- $\frac{1}{8}$ -B
	Sub-base valve	173 178	VL-5/3E-5,0-B
	Semi in-line valve for manifold PRS-ME	173 179	VL-5/3E- $\frac{1}{8}$ -P-B
Normally pressurised			
	Semi in-line valve with thread G $\frac{1}{8}$	173 180	VL-5/3B- $\frac{1}{8}$ -B
	Sub-base valve	173 181	VL-5/3B-5,0-B
	Semi in-line valve for manifold PRS-ME	173 182	VL-5/3B- $\frac{1}{8}$ -P-B

Solenoid/pneumatic valves, midi pneumatics

Accessories

Individual sub-bases
AS, AU

Material:
Die-cast aluminium

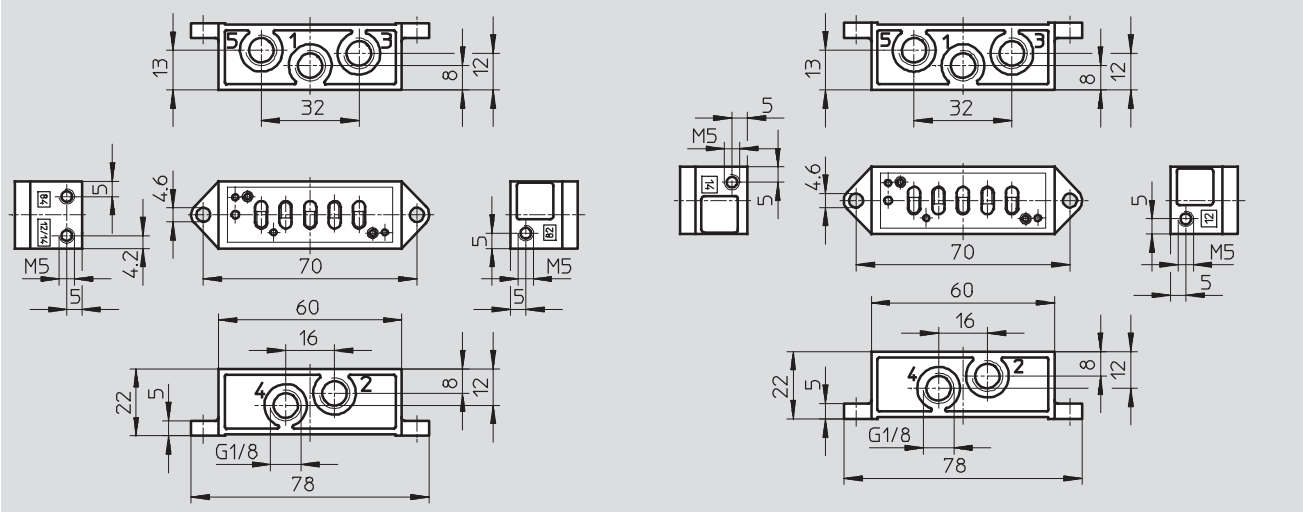


Dimensions – Individual sub-bases

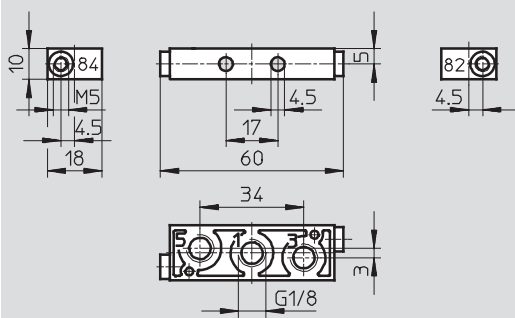
Download CAD Data → www.festo.com/us/cad

AS-ME-1/8

AS-VL-1/8



AU-ME-1/8



Ordering data

Brief description		Pneumatic connection		Weight [g]	Part No.	Type
		1, 2, 3, 4, 5	82, 84			
For solenoid valves	Connection at side	G1/8	M5	50	33405	AS-ME-1/8
For pneumatic valves				50	152803	AS-VL-1/8
For valves type ...-1/8-P	Connection underneath			15	32797	AU-ME-1/8

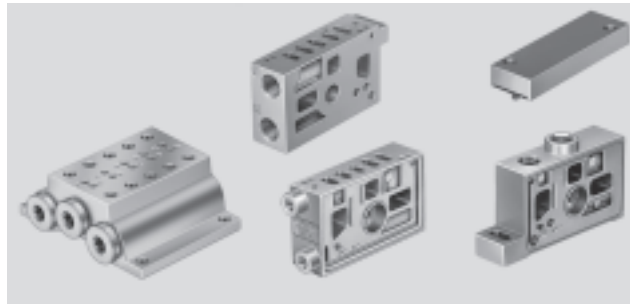
Solenoid/pneumatic valves, midi pneumatics

Accessories



Series sub-bases
AW, EP, ZP

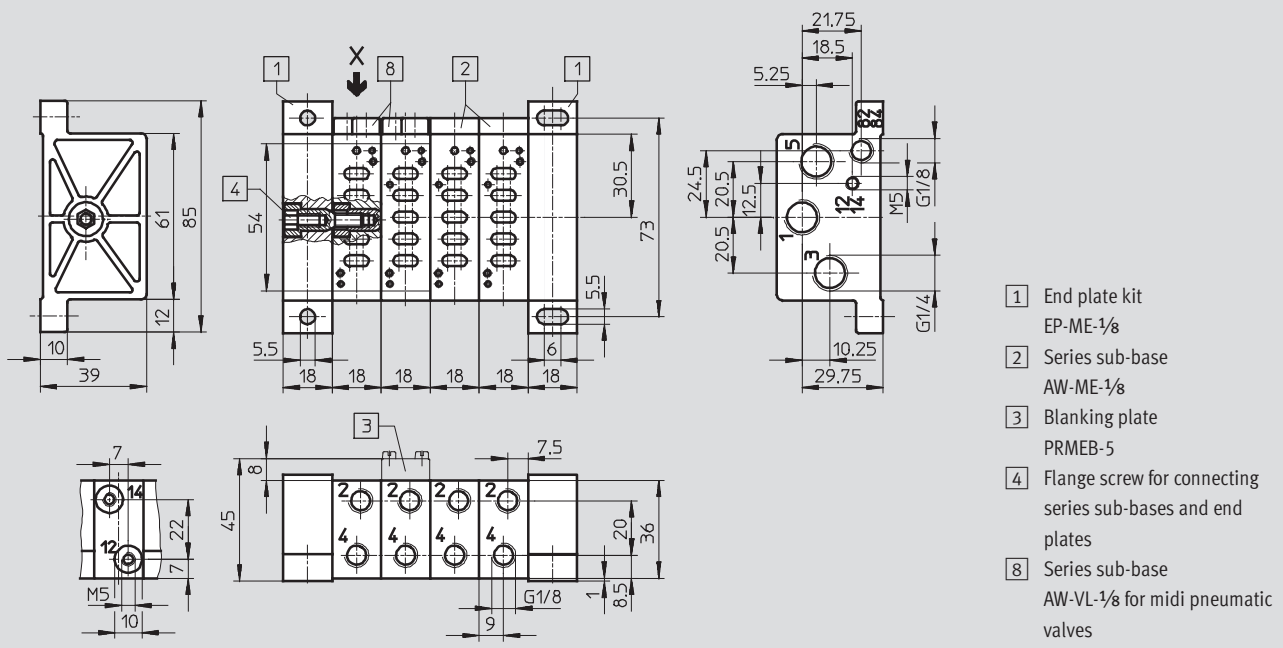
Material:
Die-cast aluminium



Dimensions

Download CAD Data → www.festo.com/us/cad

Manifold mounting



Ordering data					
Designation	Brief description	Scope of delivery	Weight [g]	Part No.	Type
Series sub-base	For solenoid valves	1 sub-base, seals and fastening screws	75	33406	AW-ME-1/8
	For pneumatic valves				152801
Blanking plate for spare positions	-	-	-	31798	PRMEB-5
End plate kit	-	2 end plates, seals and fastening screws	160	33407	EP-ME-1/8
Intermediate plate	With additional P connection	-	95	152592	ZP-ME-1/8-P
	With separate P connection to form pressure zones				152591

Solenoid/pneumatic valves, midi pneumatics

Accessories

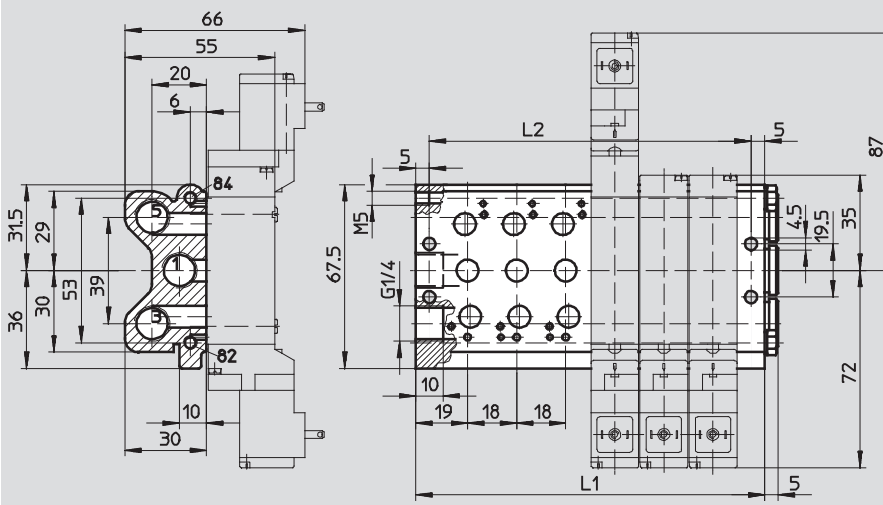
Manifold PRS-ME

Material:
Die-cast aluminium



Dimensions

Download CAD Data → www.festo.com/us/cad



Number of valve positions	L1	L2
2	56	46
3	74	64
4	92	82

Number of valve positions	L1	L2
5	110	100
6	128	118
7	146	136

Number of valve positions	L1	L2
8	164	154
9	182	172
10	200	190

Ordering data – Manifold block

Pneumatic connection			Number of valve positions	Weight [g]	Part No.	Type
1, 3, 5	2, 4	82, 84				
G1/4	G1/8 on valve	M5	2	200	33408	PRS-ME-1/8-2
			4	300	33409	PRS-ME-1/8-4
			6	430	33410	PRS-ME-1/8-6
			8	540	33411	PRS-ME-1/8-8
			10	680	33412	PRS-ME-1/8-10

Ordering data – Blanking plate

Brief description	Part No.	Type
Blanking plate for spare positions	31799	PRSB-ME-1/8

Note

For combined assembly of series sub-bases



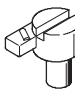
1. End plate with air supply
2. Series sub-bases for solenoid valves
3. Series sub-bases for pneumatic valves
4. End plate with flange screw



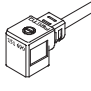
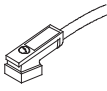

AW-ME-1/8 and AW-VL-1/8, the following assembly sequence must be observed:

Solenoid/pneumatic valves, midi pneumatics

Accessories

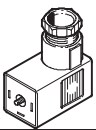
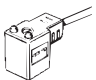

FESTO

Ordering data		Part No.	Type
Push-in/threaded fittings QS			
	-	→ Internet: quick star	
Silencers			
	-	→ u	
Manual override tool, detenting		Technical data → Internet: ahb	
	For midi valves MEH, MOEH, JMEH	152797	AHB-ME-1/8

Ordering data – Plug sockets, plug sockets with cable, illuminating seal for EB solenoid coils					
	Voltage	Cable length [m]	Switching status display with LED	Part No.	Type
Plug socket without cable				Technical data → Internet: mssd	
	-	-	-	151687	MSSD-EB
	-	-	-	539712	MSSD-EB-M12
Plug socket without cable with insulation displacement technology				Technical data → Internet: mssd	
	-	-	-	192745	MSSD-EB-S-M14
PVC plug socket with cable				Technical data → Internet: kmeb-1	
	24 V DC	2.5	■	151688	KMEB-1-24-2,5-LED
	24 V DC	5	■	151689	KMEB-1-24-5-LED
	24 V DC	10	■	193457	KMEB-1-24-10-LED
	Up to 240 V	2.5	-	151690	KMEB-1-230AC-2,5
	Up to 240 V	5	-	151691	KMEB-1-230AC-5
PUR plug socket with cable				Technical data → Internet: kmeb-2	
	24 V DC	2.5	■	174844	KMEB-2-24-2,5-LED
	24 V DC	5	■	174845	KMEB-2-24-5-LED
	Up to 240 V	2.5	-	174846	KMEB-2-230-2,5
	Up to 240 V	5	-	174847	KMEB-2-230-5
Illuminating seal				Technical data → Internet: mebl-d	
	12 ... 24 V DC	-	-	151717	MEB-LD-12-24DC
	230 V AC	-	-	151718	MEB-LD-230AC

Solenoid/pneumatic valves, midi pneumatics

Accessories

Ordering data – Plug sockets, plug sockets with cable, illuminating seal for E solenoid coils					
	Voltage	Cable length [m]	Switching status display with LED	Part No.	Type
Plug socket without cable				Technical data → Internet: mssd	
	–	–	–	14098	MSSD-E
				539711	MSSD-E-M12
Plug socket with cable				Technical data → Internet: kme	
	24 V DC	2.5	■	30943	KME-1-24DC-2,5-LED
		5	■	30945	KME-1-24DC-5-LED
		10	■	193455	KME-1-24DC-10-LED
Illuminating seal				Technical data → Internet: me-ld	
	24 V DC	–	–	19141	ME-LD-12-24DC

Product Range and Company Overview

A Complete Suite of Automation Services

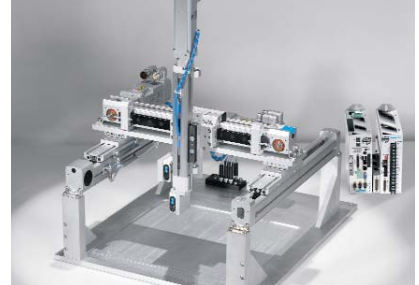
Our experienced engineers provide complete support at every stage of your development process, including: conceptualization, analysis, engineering, design, assembly, documentation, validation, and production.



Custom Automation Components
Complete custom engineered solutions



Custom Control Cabinets
Comprehensive engineering support and on-site services



Complete Systems
Shipment, stocking and storage services

The Broadest Range of Automation Components

With a comprehensive line of more than 30,000 automation components, Festo is capable of solving the most complex automation requirements.



Electromechanical
Electromechanical actuators, motors, controllers & drives



Pneumatics
Pneumatic linear and rotary actuators, valves, and air supply



PLCs and I/O Devices
PLC's, operator interfaces, sensors and I/O devices

Supporting Advanced Automation... As No One Else Can!

Festo is a leading global manufacturer of pneumatic and electromechanical systems, components and controls for industrial automation, with more than 12,000 employees in 56 national headquarters serving more than 180 countries. For more than 80 years, Festo has continuously elevated the state of manufacturing with innovations and optimized motion control solutions that deliver higher performing, more profitable automated manufacturing and processing equipment. Our dedication to the advancement of automation extends beyond technology to the education and development of current and future automation and robotics designers with simulation tools, teaching programs, and on-site services.

Quality Assurance, ISO 9001 and ISO 14001 Certifications

Festo Corporation is committed to supply all Festo products and services that will meet or exceed our customers' requirements in product quality, delivery, customer service and satisfaction.

To meet this commitment, we strive to ensure a consistent, integrated, and systematic approach to management that will meet or exceed the requirements of the ISO 9001 standard for Quality Management and the ISO 14001 standard for Environmental Management.



© Copyright 2008, Festo Corporation. While every effort is made to ensure that all dimensions and specifications are correct, Festo cannot guarantee that publications are completely free of any error, in particular typing or printing errors. Accordingly, Festo cannot be held responsible for the same. For Liability and Warranty conditions, refer to our "Terms and Conditions of Sale", available from your local Festo office. All rights reserved. No part of this publication may be reproduced, distributed, or transmitted in any form or by any means, electronic, mechanical, photocopying or otherwise, without the prior written permission of Festo. All technical data subject to change according to technical update.



Printed on recycled paper at New Horizon Graphic, Inc., FSC certified as an environmentally friendly printing plant.

Festo North America

Festo Regional Contact Center

5300 Explorer Drive
Mississauga, Ontario L4W 5G4
Canada

USA Customers:

For ordering assistance,

Call: 1.800.99.FESTO (1.800.993.3786)

Fax: 1.800.96.FESTO (1.800.963.3786)

Email: customer.service@us.festo.com

For technical support,

Call: 1.866.GO.FESTO (1.866.463.3786)

Fax: 1.800.96.FESTO (1.800.963.3786)

Email: product.support@us.festo.com

Canadian Customers:

Call: 1.877.GO.FESTO (1.877.463.3786)

Fax: 1.877.FX.FESTO (1.877.393.3786)

Email: festo.canada@ca.festo.com

USA Headquarters

Festo Corporation
395 Moreland Road
P.O. Box 18023
Hauppauge, NY 11788, USA
www.festo.com/us

USA Sales Offices

Appleton

North 922 Tower View Drive, Suite N
Greenville, WI 54942, USA

Boston

120 Presidential Way, Suite 330
Woburn, MA 01801, USA

Chicago

1441 East Business Center Drive
Mt. Prospect, IL 60056, USA

Dallas

1825 Lakeway Drive, Suite 600
Lewisville, TX 75057, USA

Detroit – Automotive Engineering Center

2601 Cambridge Court, Suite 320
Auburn Hills, MI 48326, USA

New York

395 Moreland Road
Hauppauge, NY 11788, USA

Silicon Valley

4935 Southfront Road, Suite F
Livermore, CA 94550, USA

United States



USA Headquarters, East: Festo Corp., 395 Moreland Road, Hauppauge, NY 11788

Phone: 1.631.435.0800; Fax: 1.631.435.8026;

Email: info@festo-usa.com

www.festo.com/us

Canada



Headquarters: Festo Inc., 5300 Explorer Drive, Mississauga, Ontario L4W 5G4

Phone: 1.905.624.9000; Fax: 1.905.624.9001;

Email: festo.canada@ca.festo.com

www.festo.ca

Mexico



Headquarters: Festo Pneumatic, S.A., Av. Ceylán 3, Col. Tequesquahuac,
54020 Tlalneantla, Edo. de México

Phone: 011 52 [55] 53 21 66 00; Fax: 011 52 [55] 53 21 66 65;

Email: festo.mexico@mx.festo.com

www.festo.com/mx

Central USA

Festo Corporation
1441 East Business
Center Drive
Mt. Prospect, IL 60056, USA
Phone: 1.847.759.2600
Fax: 1.847.768.9480



Western USA

Festo Corporation
4935 Southfront Road,
Suite F
Livermore, CA 94550, USA
Phone: 1.925.371.1099
Fax: 1.925.245.1286



Festo Worldwide

Argentina Australia Austria Belarus Belgium Brazil Bulgaria Canada Chile China Colombia Croatia Czech Republic Denmark
Estonia Finland France Germany Great Britain Greece Hong Kong Hungary India Indonesia Iran Ireland Israel Italy Japan Latvia
Lithuania Malaysia Mexico Netherlands New Zealand Norway Peru Philippines Poland Romania Russia Serbia Singapore
Slovakia Slovenia South Africa South Korea Spain Sweden Switzerland Taiwan Thailand Turkey Ukraine United States Venezuela

www.festo.com