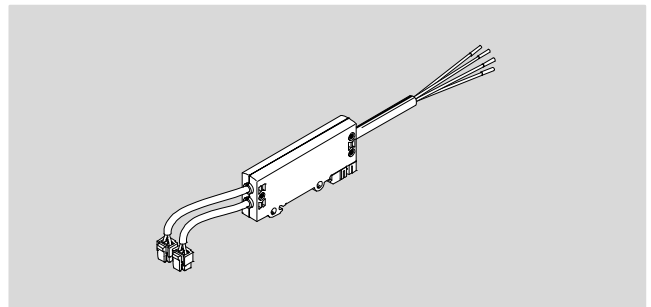


Connecting cables NEBV, for valves

Technical data

Connecting cable MHJ9-KMH

- For MHJ9 valves
- With plug sockets KMH
- Cable lengths 0.5 and 2.5 m



General technical data		
Type	MHJ9-KMH-...-MF	MHJ9-KMH-...-HF
Electrical connection	2x straight socket KMH, 2-pin Cable, 4-wire	
Operating voltage range [V DC]	12 ... 53	
Control signal voltage range [V DC]	3 ... 30	
Note on power consumption [W]	Low-current phase 2	Low-current phase 2.8
per channel [W]	High-current phase 7	High-current phase 17.1
Notes on operation	Power supply unit must be able to supply at least 1.7 A without voltage dips	Power supply unit must be able to supply at least 1.85 A without voltage dips
Cable characteristics	For static applications	
Type of mounting	Via H-rail	
Mounting position	Any	
Protection class to EN 60529	IP40	

Materials	
Housing	POM
Cable sheath	PVC
Note on materials	RoHS-compliant

Operating and environmental conditions	
Ambient temperature [°C]	-5 ... +50
CE marking (see declaration of conformity)	To EU EMC Directive ¹⁾

1) For information about the applicability of the component see the manufacturer's EC declaration of conformity at: www.festo.com/sp → User documentation.
If the component is subject to restrictions on usage in residential, office or commercial environments or small businesses, further measures to reduce the emitted interference may be necessary.
Max. permissible cable length 2.5 m.

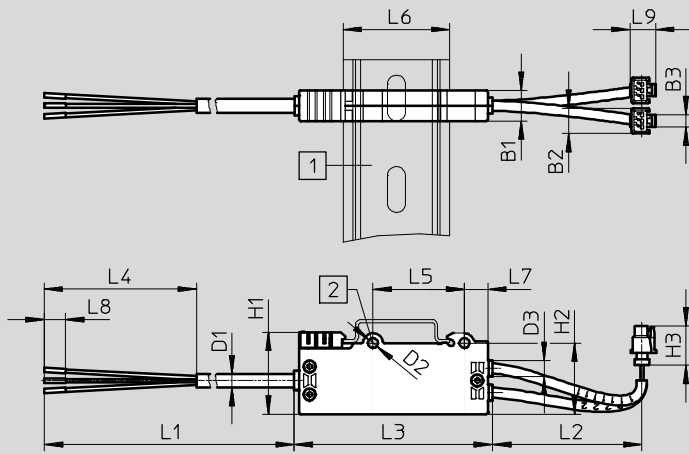
Connecting cables NEBV, for valves

Technical data

FESTO

Dimensions

Download CAD data → www.festo.com



Wiring allocation:
 BU = GND
 BN = Operating voltage positive
 BK = Trigger 1
 WH = Trigger 2

1 H-rail
 2 Hole for wall mounting

Type	B1	B2	B3	D1	D2	D3	H1	H2	H3	L1	L2	L3	L4	L5	L6	L7	L8	L9
MHJ9-KMH-0,5	10	8	4	5	3.4	3.3	27	23	13	500	200	65	50	30	35	8	7	8
MHJ9-KMH-2,5										2,500								

Ordering data

		Length	Weight	Part No.	Type
Connecting cable					
	With control electronics for 2 valves LF/LP, MF/LP and HF/LP	0.5 m	40 g	553121	MHJ9-KMH-0,5-MF
		2.5 m	98 g	565519	MHJ9-KMH-2,5-MF
	With control electronics for 2 valves HF	0.5 m	40 g	562170	MHJ9-KMH-0,5-HF
		2.5 m	98 g	567505	MHJ9-KMH-2,5-HF
H-rail					
	H-rail to EN 60715, galvanised steel	2 m	600 g	35430	NRH-35-2000

Product Range and Company Overview

A Complete Suite and Company Overview

Our experienced engineers provide complete support at every stage of your development process, including: conceptualization, analysis, engineering, design, assembly, documentation, validation, and production.



Custom Automation Components
Complete custom engineered solutions



Custom Control Cabinets
Comprehensive engineering support and on-site services



Complete Systems
Shipment, stocking and storage services

The Broadest Range of Automation Components

With a comprehensive line of more than 30,000 automation components, Festo is capable of solving the most complex automation requirements.



Electromechanical
Electromechanical actuators, motors, controllers & drivers



Pneumatics
Pneumatic linear and rotary actuators, valves, and air supply



PLCs and I/O Devices
PLC's, operator interfaces, sensors and I/O devices

Supporting Advanced Automation... As No One Else Can!

Festo is a leading global manufacturer of pneumatic and electromechanical systems, components and controls for industrial automation, with more than 16,000 employees in 60 national headquarters serving more than 180 countries. For more than 80 years, Festo has continuously elevated the state of manufacturing with innovations and optimized motion control solutions that deliver higher performing, more profitable automated manufacturing and processing equipment. Our dedication to the advancement of automation extends beyond technology to the education and development of current and future automation and robotics designers with simulation tools, teaching programs, and on-site services.

Quality Assurance, ISO 9001 and ISO 14001 Certifications

Festo Corporation is committed to supply all Festo products and services that will meet or exceed our customers' requirements in product quality, delivery, customer service and satisfaction.

To meet this commitment, we strive to ensure a consistent, integrated, and systematic approach to management that will meet or exceed the requirements of the ISO 9001 standard for Quality Management and the ISO 14001 standard for Environmental Management.

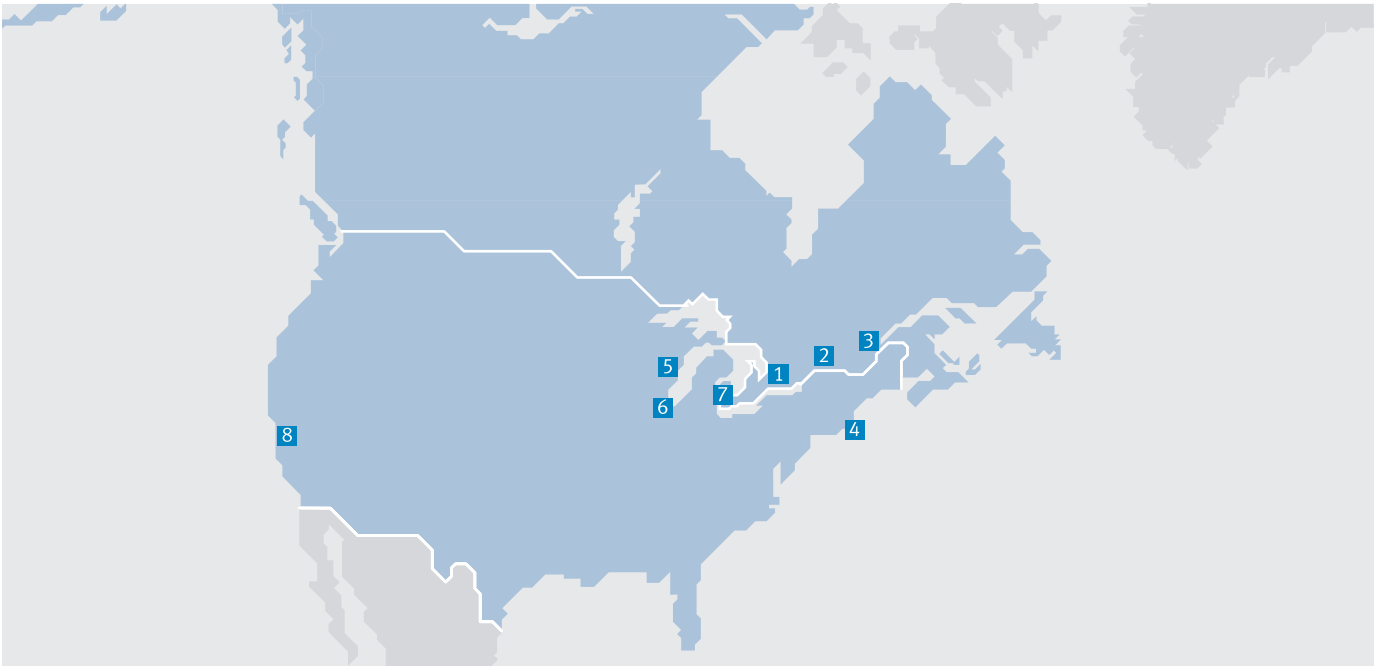


© Copyright 2013, Festo Corporation. While every effort is made to ensure that all dimensions and specifications are correct, Festo cannot guarantee that publications are completely free of any error, in particular typing or printing errors. Accordingly, Festo cannot be held responsible for the same. For Liability and Warranty conditions, refer to our "Terms and Conditions of Sale", available from your local Festo office. All rights reserved. No part of this publication may be reproduced, distributed, or transmitted in any form or by any means, electronic, mechanical, photocopying or otherwise, without the prior written permission of Festo. All technical data subject to change according to technical update.



Printed on recycled paper at New Horizon Graphic, Inc., FSC certified as an environmental friendly printing plant.

Festo North America



**1 Festo Canada
Headquarters
Festo Inc.**
5300 Explorer Drive
Mississauga, ON
L4W 5G4

2 Montréal
5600, Trans-Canada
Pointe-Claire, QC
H9R 1B6

3 Québec City
2930, rue Watt#117
Québec, QC
G1X 4G3



**4 Festo United States
Headquarters
Festo Corporation**
395 Moreland Road
Hauppauge, NY
11788

5 Appleton
North 922 Tower View Drive, Suite N
Greenville, WI
54942

7 Detroit
1441 West Long Lake Road
Troy, MI
48098

6 Chicago
85 W Algonquin - Suite 340
Arlington Heights, IL
60005

8 Silicon Valley
4935 Southfront Road, Suite F
Livermore, CA
94550

Festo Regional Contact Center

Canadian Customers

Commercial Support:
Tel: 1 877 GO FESTO (1 877 463 3786)
Fax: 1 877 FX FESTO (1 877 393 3786)
Email: festo.canada@ca.festo.com

Technical Support:
Tel: 1 866 GO FESTO (1 866 463 3786)
Fax: 1 877 FX FESTO (1 877 393 3786)
Email: technical.support@ca.festo.com

USA Customers

Commercial Support:
Tel: 1 800 99 FESTO (1 800 993 3786)
Fax: 1 800 96 FESTO (1 800 963 3786)
Email: customer.service@us.festo.com

Technical Support:
Tel: 1 866 GO FESTO (1 866 463 3786)
Fax: 1 800 96 FESTO (1 800 963 3786)
Email: product.support@us.festo.com