











Pressure gauges



Pressure gauges

Product range overview

FESTO

Type	Pneumatic connection	Nominal size	Display unit						Red/ green range	→ Page/ Internet	
			Outer scale			Inner scale					
			bar	MPa	psi	bar	MPa	psi			
Pressure gauge MA-...-EN		R $\frac{1}{8}$, R $\frac{1}{4}$, G $\frac{1}{4}$	40	■	-	-	-	-	■	-	3
		G $\frac{1}{4}$	50, 63								
Pressure gauge with red/green range MA-...-RG		R $\frac{1}{8}$	40	■	-	-	-	-	-	■	6
				-	■	-	-	-	-		
				-	-	■	-	-	-		
		R $\frac{1}{4}$	50	■	-	-	-	-	-		
				-	■	-	-	-	-		
Pressure gauge MA		M5	15	■	-	-	-	-	-	-	8
				-	-	■	-	-	-		
			27	■	-	-	-	-	-		
				-	■	-	-	-	-		
		R $\frac{1}{8}$	23, 27	■	-	-	-	-	■		
				-	■	-	-	-	-		
		G $\frac{1}{8}$	40	■	-	-	-	-	■		
				-	■	-	-	-	-		
		G $\frac{1}{4}$	50	■	-	-	-	-	■		
				-	■	-	-	-	-		
		63	■	-	-	-	-	■			
Precision pressure gauge MAP		R $\frac{1}{8}$	40	■	-	-	-	-	■	-	12
Pressure gauge MA-...-QS		QS-4, QS-6, QS-8	15	■	-	-	-	-	-	-	13
Flanged pressure gauge FMA-...-EN		G $\frac{1}{4}$	40, 50, 63	■	-	-	-	-	■	-	14
Flanged pressure gauge FMA		G $\frac{1}{4}$	63	■	-	-	-	-	■	-	16
Precision flanged pressure gauge FMAP		G $\frac{1}{4}$	63	■	-	-	-	-	■	-	17
Pressure gauge PAGN-...-P10		Cartridge 10 mm	26, 40	■	-	-	-	-	■	-	19
				-	-	■	■	-	-		
				-	■	-	-	-	-		
Precision pressure gauge PAGN-...-1.6		R $\frac{1}{8}$	40	■	-	-	-	-	■	-	21
				-	■	-	■	-	-		

Pressure gauges MA-EN

Technical data

Function



Temperature range
-20 ... +60 °C



Technical data					
Nominal size	40			50	63
Pneumatic connection	R $\frac{1}{8}$	R $\frac{1}{4}$	G $\frac{1}{4}$	G $\frac{1}{4}$	G $\frac{1}{4}$
Operating medium	Inert gases Neutral liquids				
Note on operating/pilot medium	No oxygen No acetylene				
Design	Bourdon tube pressure gauge				
Conforms to	EN 837-1				
Type of mounting	Inline installation				
Connection position	Centred, rear side				
Ambient temperature [°C]	-20 ... +60				
Temperature of medium [°C]	-20 ... +60 ¹⁾				
Measurement accuracy class	2.5				
Continuous load factor	0.75				
Intermittent load factor	0.66				
Protection class	IP43				
For MS series service units	MS4	MS4/MS6/MS9/MS12		-	-
Weight [g]	60	70	70	70	80

1) With a media temperature below 0 °C, the operating medium should be dry.

Materials					
Nominal size	40			50	63
Pneumatic connection	R $\frac{1}{8}$	R $\frac{1}{4}$	G $\frac{1}{4}$	G $\frac{1}{4}$	G $\frac{1}{4}$
Housing	only MA-40-10- $\frac{1}{8}$ -EN not MA-40-10- $\frac{1}{8}$ -EN	PBT (colour: black)	-	ABS (colour: black)	
Inspection window	PS				
Threaded plug/ materials in contact with the medium	Brass				
Note on materials	RoHS-compliant				

Display range					
Nominal size	40			50	63
Pneumatic connection	R $\frac{1}{8}$	R $\frac{1}{4}$	G $\frac{1}{4}$	G $\frac{1}{4}$	G $\frac{1}{4}$
[bar]	[psi]				
0 ... 1	0 ... 14.5	-	-	-	■
0 ... 2.5	0 ... 36	-	-	■	-
0 ... 6	0 ... 87	-	■	■	-
0 ... 10	0 ... 145	■	■	■	-
0 ... 16	0 ... 232	-	■	■	-
0 ... 25	0 ... 360	■	-	-	-

Pressure gauges MA-EN

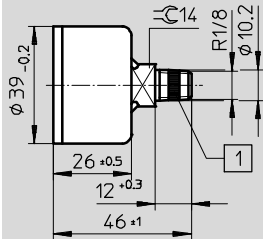
Technical data

FESTO

Dimensions

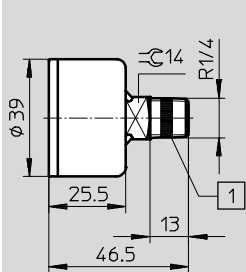
Download CAD data → www.festo.com

MA-40, R $\frac{1}{8}$



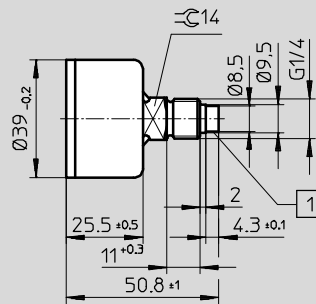
1 PTFE seal with
MA-40-25- $\frac{1}{8}$ -EN

MA-40, R $\frac{1}{4}$



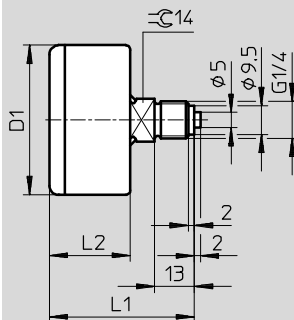
1 PTFE seal

MA-40, G $\frac{1}{4}$



1 With pre-assembled PTFE
sealing ring

MA-50/63, G $\frac{1}{4}$



Type	D1 Ø	L1	L2
MA-50	49	47.5	26.5
MA-63	61.5	48.5	27.5

Pressure gauges MA-EN

Technical data

FESTO

Ordering data						
Nominal size	Pneumatic connection	Operating pressure	Display range		Part No.	Type
			[bar]	[psi]		
40	R ¹ / ₈	0 ... 10 bar	0 ... 10	0 ... 145	162835	MA-40-10- ¹ / ₈ -EN
		0 ... 25 bar	0 ... 25	0 ... 360	526167	MA-40-25- ¹ / ₈ -EN
	R ¹ / ₄	0 ... 6 bar	0 ... 6	0 ... 87	187078	MA-40-6-R ¹ / ₄ -EN
		0 ... 10 bar	0 ... 10	0 ... 145	187079	MA-40-10-R ¹ / ₄ -EN
		0 ... 16 bar	0 ... 16	0 ... 232	187080	MA-40-16-R ¹ / ₄ -EN
	G ¹ / ₄	0 ... 6 bar	0 ... 6	0 ... 87	183899	MA-40-6-G ¹ / ₄ -EN
		0 ... 10 bar	0 ... 10	0 ... 145	183900	MA-40-10-G ¹ / ₄ -EN
		0 ... 16 bar	0 ... 16	0 ... 232	183901	MA-40-16-G ¹ / ₄ -EN
	50	G ¹ / ₄	0 ... 2.5 bar	0 ... 2.5	0 ... 36	162837
0 ... 10 bar			0 ... 10	0 ... 145	162838	MA-50-10- ¹ / ₄ -EN
0 ... 16 bar			0 ... 16	0 ... 232	162839	MA-50-16- ¹ / ₄ -EN
63	G ¹ / ₄	0 ... 1 bar	0 ... 1	0 ... 14.5	162844	MA-63-1- ¹ / ₄ -EN

Pressure gauges MA-RG, with red/green range

Technical data

Function



Temperature range
-20 ... +60 °C



The adjustable red/green range provides additional safety when monitoring compressed air.

With the two red segments above the pressure gauge scale along with the printed green segment it is possible to

individually limit the desired pressure range. This coloured demarcation enables you to recognise immediately

whether or not the pressure is in the permitted tolerance range.

Technical data		
Nominal size	40	50
Pneumatic connection	R $\frac{1}{8}$	R $\frac{1}{4}$
Operating medium	Inert gases Neutral liquids	
Note on operating/pilot medium	No oxygen No acetylene	
Design	Bourdon tube pressure gauge	
Conforms to	EN 837-1	
Type of mounting	Inline installation	
Connection position	Centred, rear side	
Ambient temperature [°C]	-20 ... +60	
Temperature of medium [°C]	-20 ... +60 ¹⁾	
Measurement accuracy class	2.5	
Continuous load factor	0.75	
Intermittent load factor	0.66	
Protection class	IP43	
For MS series service units	MS4	MS4/MS6/MS9/MS12
Weight [g]	60	75

1) With a media temperature below 0 °C, the operating medium should be dry.

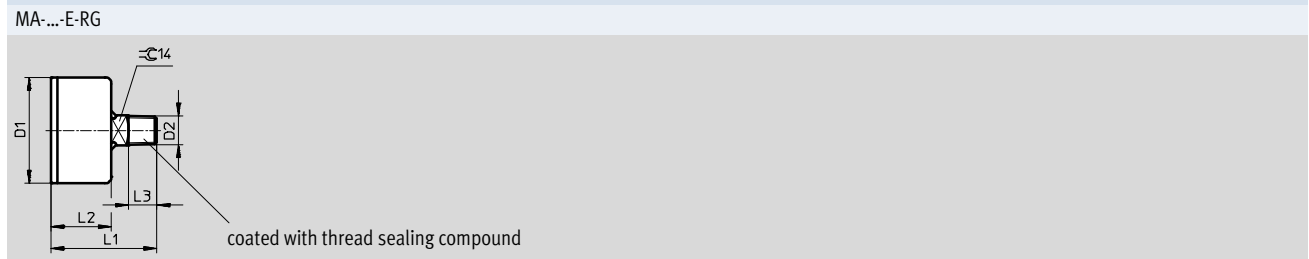
Materials	
Housing	ABS (colour: black)
Inspection window	PMMA
Threaded plug/ materials in contact with the medium	Brass
Note on materials	RoHS-compliant

Pressure gauges MA-RG, with red/green range

Technical data

Display range		
Nominal size	40	50
Pneumatic connection	R $\frac{1}{8}$	R $\frac{1}{4}$
[bar]		
0 ... 2.5	■	■
0 ... 10	■	■
0 ... 16	■	■
[MPa]		
0 ... 0.25	-	■
0 ... 1	■	■
0 ... 1.6	■	■
[psi]		
0 ... 36	-	■
0 ... 145	■	■
0 ... 232	■	■

Dimensions Download CAD data → www.festo.com



Type	D1 ∅ ±0.5	D2	L1 ±1	L2 ±0.5	L3
MA-40-...-E-RG	39	R $\frac{1}{8}$	46	28	10
MA-50-...-E-RG	49	R $\frac{1}{4}$	49	28	13

Ordering data

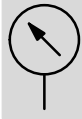
Nominal size	Pneumatic connection	Operating pressure	Display range	Part No.	Type
Display unit [bar]					
40	R $\frac{1}{8}$	0 ... 2.5 bar	0 ... 2.5	546963	MA-40-2,5-R $\frac{1}{8}$ -E-RG
		0 ... 10 bar	0 ... 10	525725	MA-40-10-R $\frac{1}{8}$ -E-RG
		0 ... 16 bar	0 ... 16	525726	MA-40-16-R $\frac{1}{8}$ -E-RG
50	R $\frac{1}{4}$	0 ... 2.5 bar	0 ... 2.5	525727	MA-50-2,5-R $\frac{1}{4}$ -E-RG
		0 ... 10 bar	0 ... 10	525728	MA-50-10-R $\frac{1}{4}$ -E-RG
		0 ... 16 bar	0 ... 16	525729	MA-50-16-R $\frac{1}{4}$ -E-RG
Display unit [MPa]					
40	R $\frac{1}{8}$	0 ... 1 MPa	0 ... 1	526778	MA-40-1,0-R $\frac{1}{8}$ -MPA-E-RG
		0 ... 1.6 MPa	0 ... 1.6	526779	MA-40-1,6-R $\frac{1}{8}$ -MPA-E-RG
50	R $\frac{1}{4}$	0 ... 0.25 MPa	0 ... 0.25	526780	MA-50-0,25-R $\frac{1}{4}$ -MPA-E-RG
		0 ... 1 MPa	0 ... 1	526781	MA-50-1,0-R $\frac{1}{4}$ -MPA-E-RG
		0 ... 1.6 MPa	0 ... 1.6	526782	MA-50-1,6-R $\frac{1}{4}$ -MPA-E-RG
Display unit [psi]					
40	R $\frac{1}{8}$	0 ... 145 psi	0 ... 145	526786	MA-40-145-R $\frac{1}{8}$ -PSI-E-RG
		0 ... 232 psi	0 ... 232	526787	MA-40-232-R $\frac{1}{8}$ -PSI-E-RG
50	R $\frac{1}{4}$	0 ... 36 psi	0 ... 36	526788	MA-50-36-R $\frac{1}{4}$ -PSI-E-RG
		0 ... 145 psi	0 ... 145	526789	MA-50-145-R $\frac{1}{4}$ -PSI-E-RG
		0 ... 232 psi	0 ... 232	526790	MA-50-232-R $\frac{1}{4}$ -PSI-E-RG

Pressure gauges MA

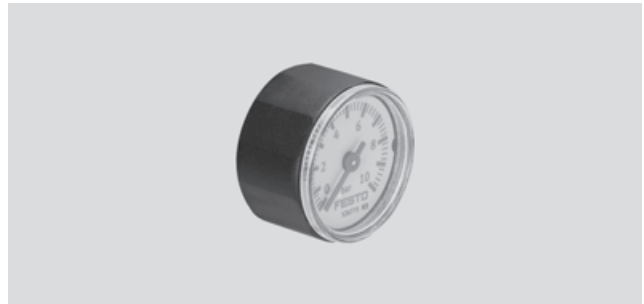
FESTO

Technical data

Function



Temperature range
-20 ... +60 °C



Technical data							
Nominal size	15	23	27		40	50	63
Pneumatic connection	M5	R $\frac{1}{8}$	M5	R $\frac{1}{8}$	G $\frac{1}{8}$	G $\frac{1}{4}$	G $\frac{1}{4}$
Operating medium	Inert gases						Gaseous media
	Neutral liquids						Fluid media
Note on operating/pilot medium	No oxygen						
	No acetylene						
Design	Bourdon tube pressure gauge without measuring mechanism	Bourdon tube pressure gauge					Capsule pressure gauge
Conforms to	EN 837-1						EN 837-3
Type of mounting	Inline installation						
Connection position	Centred, rear side						
Ambient temperature [°C]	-20 ... +60		0 ... +60		-20 ... +60		-20 ... +60
Temperature of medium [°C]	-20 ... +60 ¹⁾		0 ... +60		-20 ... +60 ¹⁾		-20 ... +80 ¹⁾
Measurement accuracy class	5		4		2.5		1.6
Continuous load factor	0.75		0.75				0.75
Intermittent load factor	0.66	0.6	0.66				0.9
Protection class	IP53	IP44	IP43				IP43
For D series service units	-	-	MICRO	-	MINI	MIDI/MAXI	-
Weight [g]	10	27	11	8	60	70	180

1) With a media temperature below 0 °C, the operating medium should be dry.

Materials							
Nominal size	15	23	27		40	50	63
Pneumatic connection	M5	R $\frac{1}{8}$	M5	R $\frac{1}{8}$	G $\frac{1}{8}$	G $\frac{1}{4}$	G $\frac{1}{4}$
Housing	Steel (colour: black)	Brass (colour: black)	PA (colour: black)		ABS (colour: black)		Steel
Inspection window	PC		PS		PS		PMMA
Threaded plug/ materials in contact with the medium	Brass		Brass	PA reinforced	Brass		Brass
Note on materials	RoHS-compliant						

Pressure gauges MA

Technical data

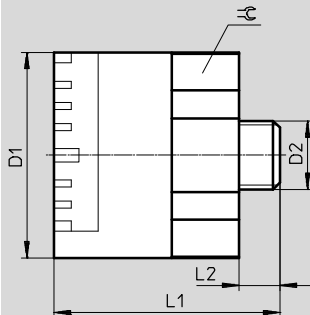
FESTO

Display range								
Nominal size		15	23	27		40	50	63
Pneumatic connection		M5	R $\frac{1}{8}$	M5	R $\frac{1}{8}$	G $\frac{1}{8}$	G $\frac{1}{4}$	G $\frac{1}{4}$
[bar]	[psi]							
0 ... 0.25	0 ... 3.6	-	-	-	-	-	-	■
0 ... 6	0 ... 87	-	■	-	-	-	-	-
0 ... 10	0 ... 145	-	■	-	-	■	■	-
0 ... 16	0 ... 232	-	■	-	■	■	■	-
0 ... 25	0 ... 360	-	-	-	■	-	-	-
[bar]								
0 ... 10		■	-	■	-	-	-	-
[MPa]								
0 ... 0.6		-	-	-	-	-	-	-
0 ... 1		-	-	■	-	■	■	-
0 ... 1.6		-	-	-	-	■	■	-
0 ... 2.5		-	-	-	-	-	-	-
[psi]								
0 ... 145		■	-	-	-	-	-	-
0 ... 160		-	-	■	-	-	-	-

Dimensions

Download CAD data → www.festo.com

MA-15



Type	D1 Ø	D2	L1	L2	☑
MA-15	15	M5	16.5	3	14

Pressure gauges MA

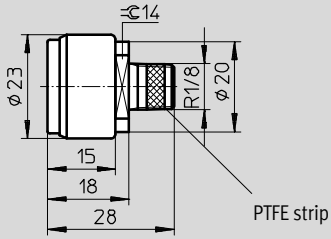
Technical data

FESTO

Dimensions

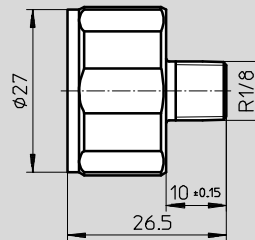
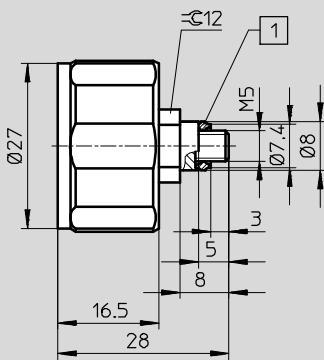
Download CAD data → www.festo.com

MA-23



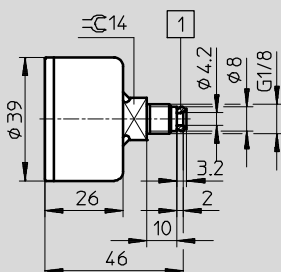
MA-27, M5

MA-27, R $1/8$



1 With pre-assembled polyamide sealing ring

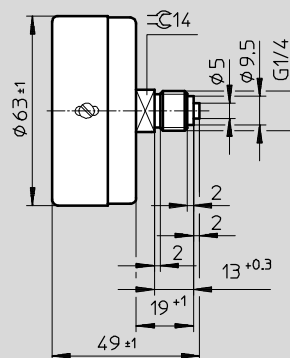
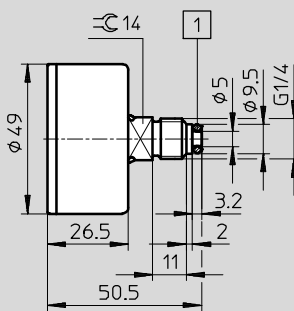
MA-40, G $1/8$



1 With pre-assembled aluminium sealing ring with MA-40-...-G $1/8$

MA-50

MA-63



1 With pre-assembled aluminium sealing ring with MA-50-...-G $1/4$

Pressure gauges MA

Technical data

Ordering data						
Nominal size	Pneumatic connection	Operating pressure	Display range		Part No.	Type
			[bar]	[psi]		
23	R1/8	0 ... 6 bar	0 ... 6	0 ... 87	183896	MA-23-6-R1/8
		0 ... 10 bar	0 ... 10	0 ... 145	183897	MA-23-10-R1/8
		0 ... 16 bar	0 ... 16	0 ... 232	183898	MA-23-16-R1/8
27	R1/8	0 ... 16 bar	0 ... 16	0 ... 232	541733	MA-27-16-R1/8
		0 ... 25 bar	0 ... 25	0 ... 360	541734	MA-27-25-R1/8
40	G1/8	0 ... 10 bar	0 ... 10	0 ... 145	359874	MA-40-10-1/8
		0 ... 16 bar	0 ... 16	0 ... 232	345395	MA-40-16-1/8
50	G1/4	0 ... 10 bar	0 ... 10	0 ... 145	359873	MA-50-10-1/4
		0 ... 16 bar	0 ... 16	0 ... 232	356759	MA-50-16-1/4
63	G1/4	0 ... 0.25 bar	0 ... 0.25	0 ... 3.6	7169	MA-63-0,25

Ordering data						
Nominal size	Pneumatic connection	Operating pressure	Display range		Part No.	Type
			[bar]	[psi]		
Display unit [bar]						
15	M5	0 ... 10 bar	0 ... 10		132340	MA-15-10-M5
27	M5	0 ... 10 bar	0 ... 10		526323	MA-27-10-M5
Display unit [MPa]						
27	M5	0 ... 1 MPa	0 ... 1		526324	MA-27-1,0-M5-MPA
40	G1/8	0 ... 1 MPa	0 ... 1		192732	MA-40-1-G1/8-MPA
		0 ... 1.6 MPa	0 ... 1.6		192733	MA-40-1,6-G1/8-MPA
50	G1/4	0 ... 1 MPa	0 ... 1		192734	MA-50-1-G1/4-MPA
		0 ... 1.6 MPa	0 ... 1.6		192735	MA-50-1,6-G1/4-MPA
Display unit [psi]						
15	M5	0 ... 145 psi	0 ... 145		132341	MA-15-145-M5-PSI
27	M5	0 ... 160 psi	0 ... 160		527405	MA-27-160-M5-PSI

Precision pressure gauges MAP

FESTO

Technical data

Function



Temperature range
-20 ... +60 °C



Technical data	
Nominal size	40
Pneumatic connection	R $\frac{1}{8}$
Operating medium	Inert gases Neutral liquids
Note on operating/pilot medium	No oxygen No acetylene
Design	Bourdon tube pressure gauge
Conforms to	EN 837-1
Type of mounting	Inline installation
Connection position	Centred, rear side
Ambient temperature [°C]	-20 ... +60
Temperature of medium [°C]	-20 ... +60 ¹⁾
Measurement accuracy class	1.6
Continuous load factor	0.75
Intermittent load factor	0.66
Protection class	IP43
Weight [g]	60

1) With a media temperature below 0 °C, the operating medium should be dry.

Materials	
Housing	PBT (colour: black)
Inspection window	PS
Threaded plug/ materials in contact with the medium	Brass
Note on materials	RoHS-compliant

Dimensions Download CAD data → www.festo.com

Ordering data						
Nominal size	Pneumatic connection	Operating pressure	Display range		Part No.	Type
			[bar]	[psi]		
40	R $\frac{1}{8}$	0 ... 1 bar	0 ... 1	0 ... 15	161126	MAP-40-1- $\frac{1}{8}$ -EN
		0 ... 4 bar	0 ... 4	0 ... 58	162842	MAP-40-4- $\frac{1}{8}$ -EN
		0 ... 6 bar	0 ... 6	0 ... 87	161127	MAP-40-6- $\frac{1}{8}$ -EN
		0 ... 16 bar	0 ... 16	0 ... 232	161128	MAP-40-16- $\frac{1}{8}$ -EN

Pressure gauges MA-QS

Technical data

Function



Temperature range
-20 ... +60 °C



Technical data			
Nominal size	15		
Pneumatic connection	QS-4	QS-6	QS-8
Operating medium	Inert gases		
	Neutral liquids		
Note on operating/pilot medium	No oxygen		
	No acetylene		
Design	Bourdon tube pressure gauge without measuring mechanism		
Conforms to	EN 837-1		
Type of mounting	Inline installation		
Connection position	Centred, rear side		
Ambient temperature [°C]	-20 ... +60		
Temperature of medium [°C]	-20 ... +60		
Measurement accuracy class	5		
Continuous load factor	0.75		
Intermittent load factor	0.66		
Protection class	IP53		
Weight [g]	10		

Materials	
Housing	Steel (colour: black)
Inspection window	PC
Threaded plug/ materials in contact with the medium	Brass
Note on materials	RoHS-compliant

Dimensions Download CAD data → www.festo.com

Dimensions and ordering data								
Nominal size	Pneumatic connection D	L	L1	L2	Operating pressure	Display range	Part No.	Type
						[bar]		
15	QS-4	36	23	15	0 ... 10 bar	0 ... 10	153383	MA-15-10-QS-4
	QS-6	38	25	17	0 ... 10 bar	0 ... 10	153384	MA-15-10-QS-6
	QS-8	34	21	18.5	0 ... 10 bar	0 ... 10	153385	MA-15-10-QS-8


Flanged pressure gauges FMA-EN

FESTO

Technical data

Function




 Temperature range
 -20 ... +60 °C



Technical data			
Nominal size	40	50	63
Pneumatic connection	G $\frac{1}{4}$	G $\frac{1}{4}$	G $\frac{1}{4}$
Operating medium	Inert gases		
	Neutral fluids		
Note on operating/pilot medium	No oxygen		
	No acetylene		
Design	Bourdon tube pressure gauge		
Conforms to	EN 837-1		
Type of mounting	Front panel mounting		
Connection position	Centred, rear side		
Ambient temperature [°C]	-20 ... +60		
Temperature of medium [°C]	-20 ... +60 ¹⁾		
Measurement accuracy class	2.5		
Continuous load factor	0.75		
Intermittent load factor	0.66		
Protection class	IP43		
Weight [g]	80	100	120

1) With a media temperature below 0 °C, the operating medium should be dry.

Materials	
Housing	ABS (colour: black)
Inspection window	SAN
Mounting ring	Steel
Threaded plug/ materials in contact with the medium	Brass
Note on materials	RoHS-compliant

Display range			
Nominal size	40	50	63
Pneumatic connection	G $\frac{1}{4}$	G $\frac{1}{4}$	G $\frac{1}{4}$
[bar]	[psi]		
0 ... 2.5	0 ... 36	-	■
0 ... 10	0 ... 145	■	■
0 ... 16	0 ... 232	■	■

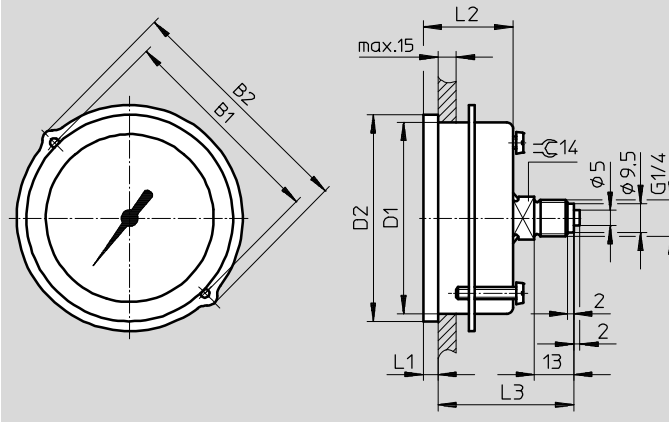
Flanged pressure gauges FMA-EN

Technical data

FESTO

Dimensions

Download CAD data → www.festo.com



Type	B1	B2	D1 Ø	D2 Ø	L1	L2	L3
FMA-40	48	56	40	45	4.5	26.5	43
FMA-50	57	66	49.5	54	4.5	26.8	43.3
FMA-63	70	79	63	68	4.8	29.5	42.5

Ordering data

Nominal size	Pneumatic connection	Operating pressure	Display range		Part No.	Type
			[bar]	[psi]		
40	G1/4	0 ... 10 bar	0 ... 10	0 ... 145	159596	FMA-40-10-1/4-EN
		0 ... 16 bar	0 ... 16	0 ... 232	159597	FMA-40-16-1/4-EN
50	G1/4	0 ... 2.5 bar	0 ... 2.5	0 ... 36	159598	FMA-50-2,5-1/4-EN
		0 ... 10 bar	0 ... 10	0 ... 145	159599	FMA-50-10-1/4-EN
		0 ... 16 bar	0 ... 16	0 ... 232	159600	FMA-50-16-1/4-EN
63	G1/4	0 ... 2.5 bar	0 ... 2.5	0 ... 36	159601	FMA-63-2,5-1/4-EN
		0 ... 10 bar	0 ... 10	0 ... 145	159602	FMA-63-10-1/4-EN
		0 ... 16 bar	0 ... 16	0 ... 232	159603	FMA-63-16-1/4-EN


Flanged pressure gauges FMA

FESTO

Technical data

Function



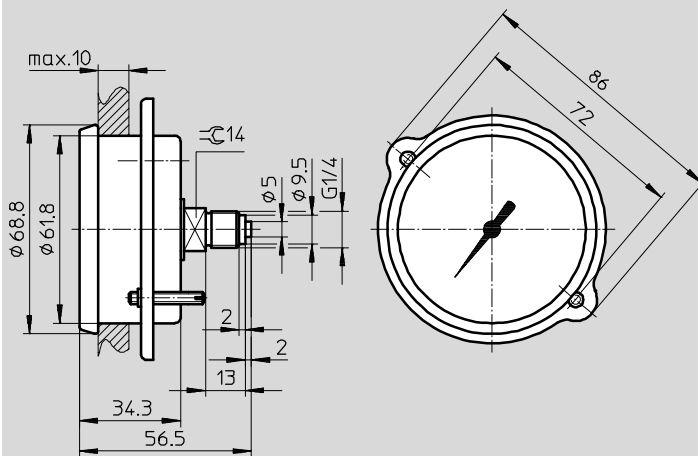

 Temperature range
 -20 ... +60 °C



Technical data	
Nominal size	63
Pneumatic connection	G1/4
Operating medium	Gaseous media
	Fluid media
Note on operating/pilot medium	No oxygen
	No acetylene
Design	Capsule pressure gauge
Conforms to	EN 837-3
Type of mounting	Front panel mounting
Connection position	Centred, rear side
Ambient temperature [°C]	-20 ... +60
Temperature of medium [°C]	-20 ... +80
Measurement accuracy class	1.6
Continuous load factor	0.75
Intermittent load factor	0.9
Protection class	IP43
Weight [g]	120

Materials	
Housing	Steel
Inspection window	PMMA
Mounting ring/screws	Steel
Threaded plug	Brass

Dimensions Download CAD data → www.festo.com



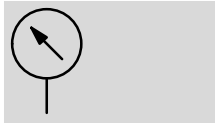
Ordering data						
Nominal size	Pneumatic connection	Operating pressure	Display range		Part No.	Type
			[bar]	[psi]		
63	G1/4	0 ... 0.25 bar	0 ... 0.25	0 ... 3.6	225783	FMA-63-0,25-C

Precision flanged pressure gauges FMAP

FESTO

Technical data

Function



Temperature range
-20 ... +60 °C

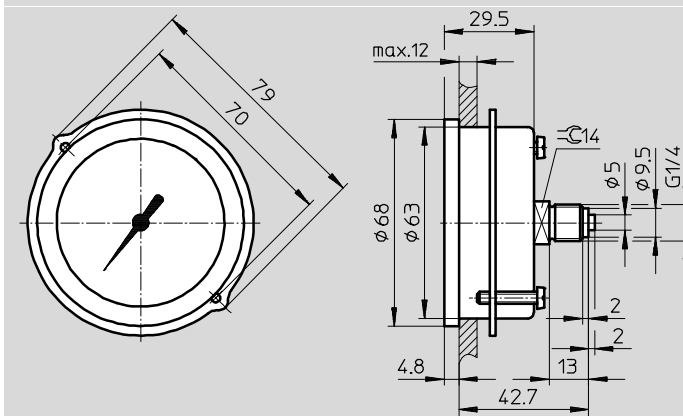


Technical data	
Nominal size	63
Pneumatic connection	G $\frac{1}{4}$
Operating medium	Inert gases Neutral liquids
Note on operating/pilot medium	No oxygen No acetylene
Design	Bourdon tube pressure gauge
Conforms to	EN 837-1
Type of mounting	Front panel mounting
Connection position	Centred, rear side
Ambient temperature [°C]	-20 ... +60
Temperature of medium [°C]	-20 ... +60 ¹⁾
Measurement accuracy class	1.0
Continuous load factor	0.75
Intermittent load factor	0.66
Protection class	IP43
Weight [g]	120

1) With a media temperature below 0 °C, the operating medium should be dry.

Materials	
Housing	ABS (colour: black)
Inspection window	SAN
Mounting ring	Steel
Threaded plug/ materials in contact with the medium	Brass
Note on materials	RoHS-compliant

Dimensions Download CAD data → www.festo.com



Precision flanged pressure gauges FMAP

FESTO

Technical data

Ordering data						
Nominal size	Pneumatic connection	Operating pressure	Display range		Part No.	Type
			[bar]	[psi]		
63	G ¹ / ₄	0 ... 1 bar	0 ... 1	0 ... 15	161129	FMAP-63-1-¹/₄-EN
		0 ... 4 bar	0 ... 4	0 ... 58	162843	FMAP-63-4-¹/₄-EN
		0 ... 6 bar	0 ... 6	0 ... 87	161130	FMAP-63-6-¹/₄-EN
		0 ... 16 bar	0 ... 16	0 ... 232	161131	FMAP-63-16-¹/₄-EN

Pressure gauges PAGN-...-P10

Technical data

Function



Temperature range
-20 ... +60 °C



Technical data		
Nominal size	26	40
Pneumatic connection	Cartridge 10 mm	Cartridge 10 mm
Operating medium	Inert gases Neutral liquids	
Note on operating/pilot medium	No oxygen No acetylene	
Design	Bourdon tube pressure gauge	
Conforms to	EN 837-1	
Type of mounting	Inline installation	
Connection position	Centred, rear side	
Ambient temperature [°C]	-20 ... +60	
Temperature of medium [°C]	-20 ... +60 ¹⁾	
Measurement accuracy class	4.0	2.5
Continuous load factor	0.75	
Intermittent load factor	0.66	
Protection class	IP43 NEMA 4 (with outer scale in bar only)	
Weight [g]	15	50

1) With a media temperature below 0 °C, the operating medium should be dry.

Materials		
Nominal size	26	40
Housing	PA (colour: black)	ABS (colour: black)
Inspection window	PS	
Threaded plug/ materials in contact with the medium	Brass	
Note on materials	RoHS-compliant	

Dimensions Download CAD data → www.festo.com

PAGN-26-...-P10

PAGN-40-...-P10

1 Sealing ring

Pressure gauges PAGN-...-P10

Technical data

Ordering data						
Nominal size	Pneumatic connection	Operating pressure	Display range		Part No.	Type
			Outer scale	Inner scale		
Outer scale in bar, inner scale in psi						
26	Cartridge 10 mm	0 ... 10 bar	0 ... 10 bar	0 ... 145 psi	543488	PAGN-26-10-P10
		0 ... 16 bar	0 ... 16 bar	0 ... 232 psi	543487	PAGN-26-16-P10
40	Cartridge 10 mm	0 ... 10 bar	0 ... 10 bar	0 ... 145 psi	548009	PAGN-40-10-P10
		0 ... 16 bar	0 ... 16 bar	0 ... 232 psi	548010	PAGN-40-16-P10
Outer scale in psi, inner scale in bar						
26	Cartridge 10 mm	0 ... 145 psi	0 ... 145 psi	0 ... 10 bar	563732	PAGN-26-145P-P10
		0 ... 232 psi	0 ... 232 psi	0 ... 16 bar	563731	PAGN-26-232P-P10
40	Cartridge 10 mm	0 ... 145 psi	0 ... 145 psi	0 ... 10 bar	563734	PAGN-40-145P-P10
		0 ... 232 psi	0 ... 232 psi	0 ... 16 bar	563733	PAGN-40-232P-P10
Outer scale in MPa						
26	Cartridge 10 mm	0 ... 1 MPa	0 ... 1 MPa	–	563736	PAGN-26-1M-P10
		0 ... 1.6 MPa	0 ... 1.6 MPa	–	563735	PAGN-26-1.6M-P10
40	Cartridge 10 mm	0 ... 1 MPa	0 ... 1 MPa	–	563738	PAGN-40-1M-P10
		0 ... 1.6 MPa	0 ... 1.6 MPa	–	563737	PAGN-40-1.6M-P10


Precision pressure gauges PAGN-...-1.6

Technical data

FESTO

Function



 Temperature range
-20 ... +60 °C

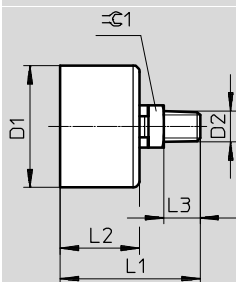


Technical data	
Nominal size	40
Pneumatic connection	R $\frac{1}{8}$
Operating medium	Inert gases Neutral liquids
Note on operating/pilot medium	No oxygen No acetylene
Design	Bourdon tube pressure gauge
Conforms to	EN 837-1
Type of mounting	Inline installation
Connection position	Centred, rear side
Ambient temperature [°C]	-20 ... +60
Temperature of medium [°C]	-20 ... +60 ¹⁾
Storage temperature [°C]	-40 ... +70
Measurement accuracy class	1.6
Continuous load factor	0.75
Intermittent load factor	0.66
Protection class	IP43
Weight [g]	60

1) With a media temperature below 0 °C, the operating medium should be dry.

Materials	
Housing	PBT (colour: black)
Inspection window	PS
Threaded plug/ materials in contact with the medium	Brass
Note on materials	RoHS-compliant

Dimensions Download CAD data → www.festo.com



D1	D2	L1	L2	L3	$\varnothing 1$
$39_{+0.1/-0.2}$	R $\frac{1}{8}$	44	$25_{+0.5}$	10	14

Precision pressure gauges PAGN-...-1.6

Technical data

Ordering data					
Nominal size	Pneumatic connection	Operating pressure	Display range		Part No. Type
			Outer scale	Inner scale	
Outer scale in bar, inner scale in psi					
40	R1/8	0 ... 10 bar	0 ... 10 bar	0 ... 145 psi	2849914 PAGN-40-10-R18-1.6
Outer scale in MPa, inner scale in bar					
40	R1/8	0 ... 1 MPa	0 ... 1 MPa	0 ... 10 bar	2849916 PAGN-40-1M-R18-1.6

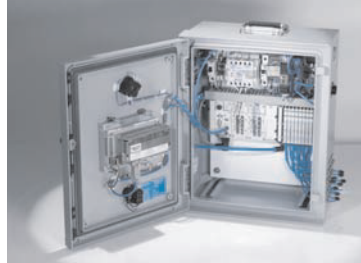
Product Range and Company Overview

A Complete Suite and Company Overview

Our experienced engineers provide complete support at every stage of your development process, including: conceptualization, analysis, engineering, design, assembly, documentation, validation, and production.



Custom Automation Components
Complete custom engineered solutions



Custom Control Cabinets
Comprehensive engineering support and on-site services



Complete Systems
Shipment, stocking and storage services

The Broadest Range of Automation Components

With a comprehensive line of more than 30,000 automation components, Festo is capable of solving the most complex automation requirements.



Electromechanical
Electromechanical actuators, motors, controllers & drivers



Pneumatics
Pneumatic linear and rotary actuators, valves, and air supply



PLCs and I/O Devices
PLC's, operator interfaces, sensors and I/O devices

Supporting Advanced Automation... As No One Else Can!

Festo is a leading global manufacturer of pneumatic and electromechanical systems, components and controls for industrial automation, with more than 16,000 employees in 60 national headquarters serving more than 180 countries. For more than 80 years, Festo has continuously elevated the state of manufacturing with innovations and optimized motion control solutions that deliver higher performing, more profitable automated manufacturing and processing equipment. Our dedication to the advancement of automation extends beyond technology to the education and development of current and future automation and robotics designers with simulation tools, teaching programs, and on-site services.

Quality Assurance, ISO 9001 and ISO 14001 Certifications

Festo Corporation is committed to supply all Festo products and services that will meet or exceed our customers' requirements in product quality, delivery, customer service and satisfaction.

To meet this commitment, we strive to ensure a consistent, integrated, and systematic approach to management that will meet or exceed the requirements of the ISO 9001 standard for Quality Management and the ISO 14001 standard for Environmental Management.

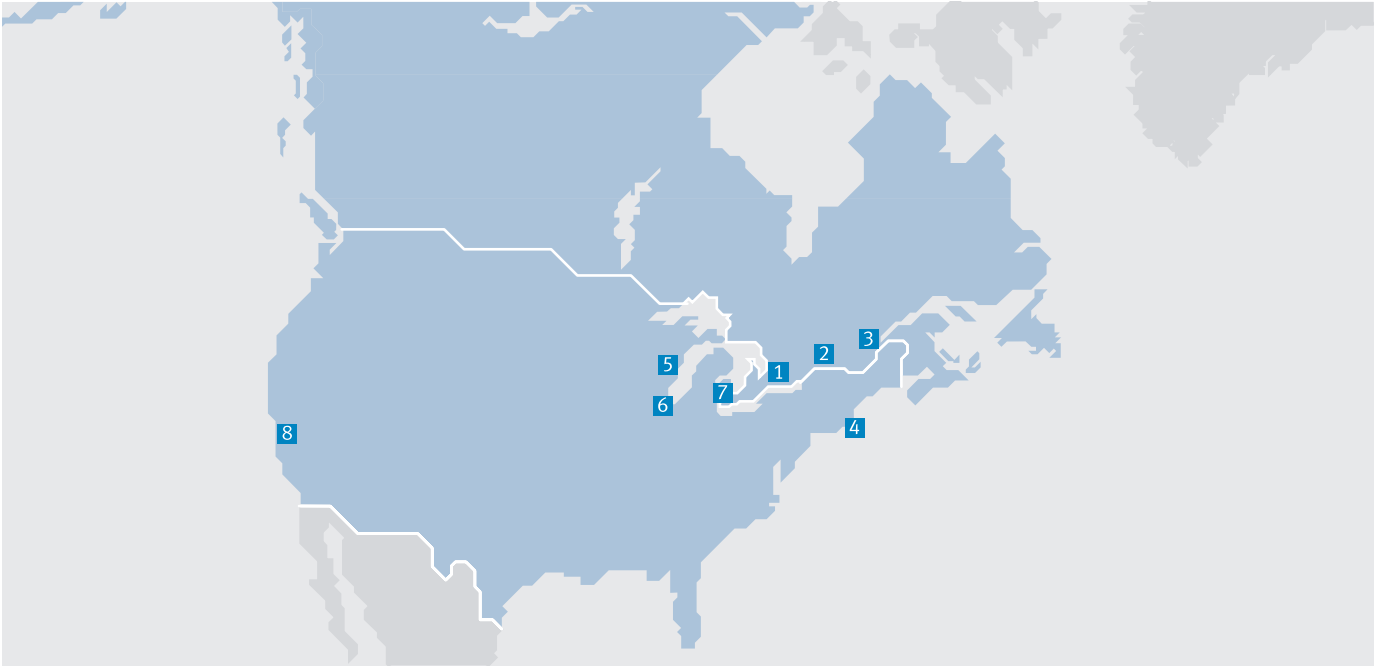


© Copyright 2013, Festo Corporation. While every effort is made to ensure that all dimensions and specifications are correct, Festo cannot guarantee that publications are completely free of any error, in particular typing or printing errors. Accordingly, Festo cannot be held responsible for the same. For Liability and Warranty conditions, refer to our "Terms and Conditions of Sale", available from your local Festo office. All rights reserved. No part of this publication may be reproduced, distributed, or transmitted in any form or by any means, electronic, mechanical, photocopying or otherwise, without the prior written permission of Festo. All technical data subject to change according to technical update.



Printed on recycled paper at New Horizon Graphic, Inc., FSC certified as an environmental friendly printing plant.

Festo North America



**1 Festo Canada
Headquarters
Festo Inc.**
5300 Explorer Drive
Mississauga, ON
L4W 5G4

2 Montréal
5600, Trans-Canada
Pointe-Claire, QC
H9R 1B6

3 Québec City
2930, rue Watt#117
Québec, QC
G1X 4G3



**4 Festo United States
Headquarters
Festo Corporation**
395 Moreland Road
Hauppauge, NY
11788

5 Appleton
North 922 Tower View Drive, Suite N
Greenville, WI
54942

7 Detroit
1441 West Long Lake Road
Troy, MI
48098

6 Chicago
85 W Algonquin - Suite 340
Arlington Heights, IL
60005

8 Silicon Valley
4935 Southfront Road, Suite F
Livermore, CA
94550

Festo Regional Contact Center

Canadian Customers

Commercial Support:
Tel: 1 877 GO FESTO (1 877 463 3786)
Fax: 1 877 FX FESTO (1 877 393 3786)
Email: festo.canada@ca.festo.com

Technical Support:
Tel: 1 866 GO FESTO (1 866 463 3786)
Fax: 1 877 FX FESTO (1 877 393 3786)
Email: technical.support@ca.festo.com

USA Customers

Commercial Support:
Tel: 1 800 99 FESTO (1 800 993 3786)
Fax: 1 800 96 FESTO (1 800 963 3786)
Email: customer.service@us.festo.com

Technical Support:
Tel: 1 866 GO FESTO (1 866 463 3786)
Fax: 1 800 96 FESTO (1 800 963 3786)
Email: product.support@us.festo.com

Subject to change

Internet: www.festo.com/us