

Filter silencers LFU

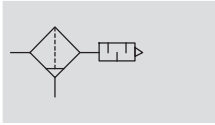


# Filter silencers LFU

Technical data

FESTO

Function



Flow rate

4,000 ... 12,500 l/min

Temperature range

-10 ... +100 °C

Pressure

0 ... 16 bar



The filter silencer cleans all exhaust air from pneumatic control systems. The exhaust air is discharged into the atmosphere via a fine filter cartridge (degree of filtration: >99.99%).

At the same time, exhaust noise is greatly reduced. Condensate is collected in the lower plastic bowl and can be discharged via the condensate drain.

- Removes up to 99.99% of oil and other contaminants from exhaust air

- The silencer reduces exhaust noise regardless of frequency

General technical data				
Size	G $\frac{1}{4}$	G $\frac{3}{8}$	G $\frac{1}{2}$	G1
Pneumatic connection	G $\frac{1}{4}$	G $\frac{3}{8}$	G $\frac{1}{2}$	G1
Mounting position	Vertical $\pm 5^\circ$			
Grade of filtration [μm]	1			
Condensate drain	Manual rotary			
Flow rate with respect to atmosphere <sup>1)</sup> [l/min]	≥4,000	≥4,700	≤6,000	≤12,500
Noise reduction <sup>1)</sup>	Reduction by 40 dB(A)		>40 dB(A)	

1) At 6 bar.

Note: This product conforms to ISO 1179-1 and ISO 228-1

Operating and environmental conditions				
Size	G $\frac{1}{4}$	G $\frac{3}{8}$	G $\frac{1}{2}$	G1
Operating pressure [bar]	0 ... 16			
Operating medium	Compressed air in accordance with ISO 8573-1:2010 [7:4:4]			
Note on operating/pilot medium	Operation with lubricated medium possible (in which case lubricated operation will always be required)			
Ambient temperature [°C]	-10 ... +60		0 ... +100	
Corrosion resistance class CRC <sup>1)</sup>	2		1	

1) Corrosion resistance class 2 according to Festo standard 940 070

Components subject to moderate corrosion stress. Externally visible parts with primarily decorative surface requirements which are in direct contact with a normal industrial environment or media such as coolants or lubricating agents.

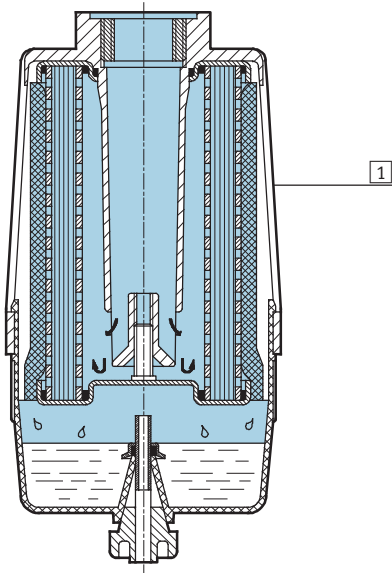
Weight [g]				
Size	G $\frac{1}{4}$	G $\frac{3}{8}$	G $\frac{1}{2}$	G1
Filter silencer	190	190	570	1,010

# Filter silencers LFU

Technical data

## Materials

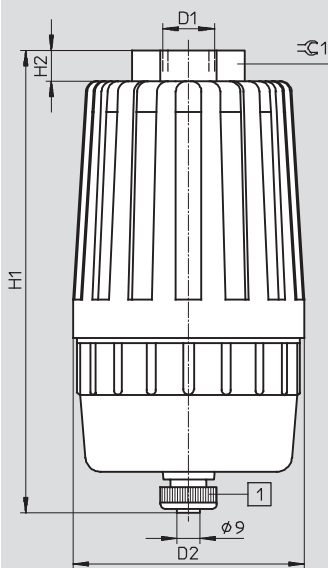
Sectional view



Filter silencer	
1	Housing
Note on materials	
PP	
RoHS-compliant	
Free of copper and PTFE	

## Dimensions and ordering data

Download CAD Data → [www.festo.com/us/cad](http://www.festo.com/us/cad)



1 Manual rotary condensate drain

Connection	D1	D2	H1	H2	≈C1	Part No.	Type
G <sup>1</sup> / <sub>4</sub>	G <sup>1</sup> / <sub>4</sub>	77	131	7	26	539132	LFU- <sup>1</sup> / <sub>4</sub>
G <sup>3</sup> / <sub>8</sub>	G <sup>3</sup> / <sub>8</sub>	77	131	7	26	539133	LFU- <sup>3</sup> / <sub>8</sub>
G <sup>1</sup> / <sub>2</sub>	G <sup>1</sup> / <sub>2</sub>	90	180	12	36	10494	LFU- <sup>1</sup> / <sub>2</sub>
G1	G1	110	252	15	50	10495	LFU-1

Note: This product conforms to ISO 1179-1 and ISO 228-1

## Filter silencers LFU

Accessories

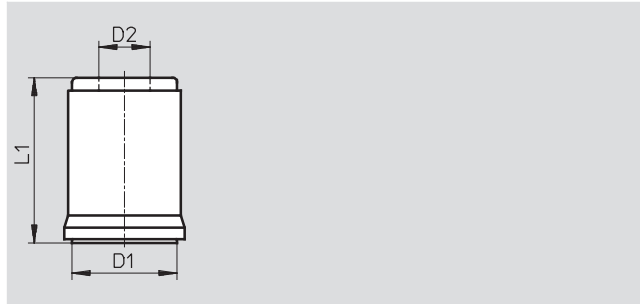
FESTO

### Filter cartridge LFPU

Note on material:

RoHS-compliant

Free of copper and PTFE



Dimensions and ordering data					
For connection	D1	D2	L1	Part No.	Type
	∅	∅			
G $\frac{1}{4}$ , G $\frac{3}{8}$	60	28	69	<b>539134</b>	<b>LFPU-<math>\frac{1}{4}</math>-<math>\frac{3}{8}</math></b>
G $\frac{1}{2}$	70	34.8	110	<b>10496</b>	<b>LFPU-<math>\frac{1}{2}</math></b>
G1	82	42.8	180	<b>10497</b>	<b>LFPU-1</b>

# Product Range and Company Overview

## A Complete Suite of Automation Services

Our experienced engineers provide complete support at every stage of your development process, including: conceptualization, analysis, engineering, design, assembly, documentation, validation, and production.



**Custom Automation Components**  
Complete custom engineered solutions



**Custom Control Cabinets**  
Comprehensive engineering support and on-site services



**Complete Systems**  
Shipment, stocking and storage services

## The Broadest Range of Automation Components

With a comprehensive line of more than 30,000 automation components, Festo is capable of solving the most complex automation requirements.



**Electromechanical**  
Electromechanical actuators, motors, controllers & drives



**Pneumatics**  
Pneumatic linear and rotary actuators, valves, and air supply



**PLCs and I/O Devices**  
PLC's, operator interfaces, sensors and I/O devices

## Supporting Advanced Automation... As No One Else Can!

Festo is a leading global manufacturer of pneumatic and electromechanical systems, components and controls for industrial automation, with more than 12,000 employees in 56 national headquarters serving more than 180 countries. For more than 80 years, Festo has continuously elevated the state of manufacturing with innovations and optimized motion control solutions that deliver higher performing, more profitable automated manufacturing and processing equipment. Our dedication to the advancement of automation extends beyond technology to the education and development of current and future automation and robotics designers with simulation tools, teaching programs, and on-site services.

## Quality Assurance, ISO 9001 and ISO 14001 Certifications

Festo Corporation is committed to supply all Festo products and services that will meet or exceed our customers' requirements in product quality, delivery, customer service and satisfaction.

To meet this commitment, we strive to ensure a consistent, integrated, and systematic approach to management that will meet or exceed the requirements of the ISO 9001 standard for Quality Management and the ISO 14001 standard for Environmental Management.



© Copyright 2008, Festo Corporation. While every effort is made to ensure that all dimensions and specifications are correct, Festo cannot guarantee that publications are completely free of any error, in particular typing or printing errors. Accordingly, Festo cannot be held responsible for the same. For Liability and Warranty conditions, refer to our "Terms and Conditions of Sale", available from your local Festo office. All rights reserved. No part of this publication may be reproduced, distributed, or transmitted in any form or by any means, electronic, mechanical, photocopying or otherwise, without the prior written permission of Festo. All technical data subject to change according to technical update.



Printed on recycled paper at New Horizon Graphic, Inc., FSC certified as an environmentally friendly printing plant.

# Festo North America

## Festo Regional Contact Center

5300 Explorer Drive  
Mississauga, Ontario L4W 5G4  
Canada

### USA Customers:

For ordering assistance,

**Call:** 1.800.99.FESTO (1.800.993.3786)

**Fax:** 1.800.96.FESTO (1.800.963.3786)

**Email:** [customer.service@us.festo.com](mailto:customer.service@us.festo.com)

For technical support,

**Call:** 1.866.GO.FESTO (1.866.463.3786)

**Fax:** 1.800.96.FESTO (1.800.963.3786)

**Email:** [product.support@us.festo.com](mailto:product.support@us.festo.com)

### Canadian Customers:

**Call:** 1.877.GO.FESTO (1.877.463.3786)

**Fax:** 1.877.FX.FESTO (1.877.393.3786)

**Email:** [festo.canada@ca.festo.com](mailto:festo.canada@ca.festo.com)

---

## USA Headquarters

Festo Corporation  
395 Moreland Road  
P.O. Box 18023  
Hauppauge, NY 11788, USA  
[www.festo.com/us](http://www.festo.com/us)

---

## USA Sales Offices

### Appleton

North 922 Tower View Drive, Suite N  
Greenville, WI 54942, USA

### Boston

120 Presidential Way, Suite 330  
Woburn, MA 01801, USA

### Chicago

1441 East Business Center Drive  
Mt. Prospect, IL 60056, USA

### Dallas

1825 Lakeway Drive, Suite 600  
Lewisville, TX 75057, USA

### Detroit – Automotive Engineering Center

2601 Cambridge Court, Suite 320  
Auburn Hills, MI 48326, USA

### New York

395 Moreland Road  
Hauppauge, NY 11788, USA

### Silicon Valley

4935 Southfront Road, Suite F  
Livermore, CA 94550, USA

## United States



**USA Headquarters, East:** Festo Corp., 395 Moreland Road, Hauppauge, NY 11788

Phone: 1.631.435.0800; Fax: 1.631.435.8026;

Email: [info@festo-usa.com](mailto:info@festo-usa.com)

[www.festo.com/us](http://www.festo.com/us)

## Canada



**Headquarters:** Festo Inc., 5300 Explorer Drive, Mississauga, Ontario L4W 5G4

Phone: 1.905.624.9000; Fax: 1.905.624.9001;

Email: [festo.canada@ca.festo.com](mailto:festo.canada@ca.festo.com)

[www.festo.ca](http://www.festo.ca)

## Mexico



**Headquarters:** Festo Pneumatic, S.A., Av. Ceylán 3, Col. Tequesquahuac,  
54020 Tlalneantla, Edo. de México

Phone: 011 52 [55] 53 21 66 00; Fax: 011 52 [55] 53 21 66 65;

Email: [festo.mexico@mx.festo.com](mailto:festo.mexico@mx.festo.com)

[www.festo.com/mx](http://www.festo.com/mx)

---

## Central USA

Festo Corporation  
1441 East Business  
Center Drive  
Mt. Prospect, IL 60056, USA  
Phone: 1.847.759.2600  
Fax: 1.847.768.9480



## Western USA

Festo Corporation  
4935 Southfront Road,  
Suite F  
Livermore, CA 94550, USA  
Phone: 1.925.371.1099  
Fax: 1.925.245.1286



---

## Festo Worldwide

Argentina Australia Austria Belarus Belgium Brazil Bulgaria Canada Chile China Colombia Croatia Czech Republic Denmark  
Estonia Finland France Germany Great Britain Greece Hong Kong Hungary India Indonesia Iran Ireland Israel Italy Japan Latvia  
Lithuania Malaysia Mexico Netherlands New Zealand Norway Peru Philippines Poland Romania Russia Serbia Singapore  
Slovakia Slovenia South Africa South Korea Spain Sweden Switzerland Taiwan Thailand Turkey Ukraine United States Venezuela

[www.festo.com](http://www.festo.com)