

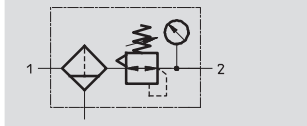
# LFR Filter/Regulators – D Series, NPT

Technical Data

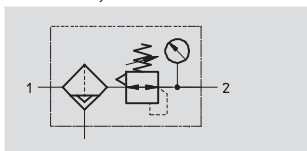
Function

LFR...-D-...

Condensate drain manual



semi- or fully automatic



Flow rate

110 ... 11,000 l/min

Temperature range

-10 ... +60 °C

Pressure

1 ... 16 bar



- Space-saving design with filter and regulator in a single unit
- Good particle separation and high flow rate
- Good regulating characteristics with minimal hysteresis
- Two pressure regulation ranges: 0.5 ... 7 bar and 0.5 ... 12 bar
- Two pressure gauge connections for flexible installation
- With manual, semi-automatic or fully automatic condensate drain
- Setting values are secured by locking the rotary knob
- Choice of filter cartridges: 5 µm or 40 µm
- Filter cartridges → lfp
- Pressure sensor (optional) → pev

General technical data									
Size	Micro	Mini			Midi			Maxi	
Pneumatic connection	1/8 NPT	1/8 NPT	1/4 NPT	3/8 NPT	3/8 NPT	1/2 NPT	3/4 NPT	3/4 NPT	1 NPT
Operating medium	Compressed air								
Design	Directly actuated diaphragm regulator							Pilot actuated piston regulator	
								Directly actuated diaphragm regulator	
Type of mounting	Via accessories								
	In-line installation								
	Front panel mounting								
Assembly position	Vertical ±5°								
Grade of filtration [µm]	5	5 or 40							
Max. hysteresis [bar]	0.3	0.2						0.4	
Pressure regulation range [bar]	0.5 ... 7	0.5 ... 7							
		0.5 ... 12							
Pressure indication	Via pressure gauge								
Port connection	M5	G1/8			G1/4			G1/4	
Max. condensate volume [cm <sup>3</sup> ]	3	22			43			80	
Input pressure [bar]									
Condensate drain	Manual	1 ... 10	1 ... 16						
	Semiautomatic	1 ... 10	-						
	Fully automatic	-	2 ... 12						

Note: This product conforms to ISO 1179-1 and ISO 228-1

# LFR Filter/Regulators – D Series, NPT

Technical Data



Standard nominal flow rate <sup>1)</sup> qnN [l/min]	
Connection	Port block
	1/8 NPT
Micro	
LFR	410

Standard nominal flow rate <sup>1)</sup> qnN [l/min]						
Connection	1/8 NPT	1/4 NPT	3/8 NPT	1/2 NPT	3/4 NPT	1 NPT
Mini						
LFR-...-D-...	750	1400	1600	–	–	–
LFR-...-D-7-...	900	1500	1700	–	–	–
LFR-...-D-5M-...	650	1200	1350	–	–	–
Midi						
LFR-...-D-...	–	2000	3100	3400	3400	–
LFR-...-D-7-...	–	2100	3200	3900	4000	–
LFR-...-D-5M-...	–	1600	2400	2600	2600	–
Maxi						
LFR-...-D-...	–	–	–	9400	9700	10000
LFR-...-D-7-...	–	–	–	9500	10000	11000
LFR-...-D-5M-...	–	–	–	7500	7600	8000

Ambient conditions			
Size	Micro	Mini	Maxi
Ambient temperature [°C]	–10 ... +60		
Temperature of medium [°C]	–10 ... +60		
Corrosion resistance class CRC <sup>2)</sup>	2		

1) Measured at p<sub>1</sub> = 10 bar, p<sub>2</sub> = 6 bar and Δp = 1 bar.

2) Corrosion resistance class 2 according to Festo standard 940 070

Components requiring moderate corrosion resistance. Externally visible parts with primarily decorative surface requirements which are in direct contact with a normal industrial environment or media such as coolants or lubricating agents.

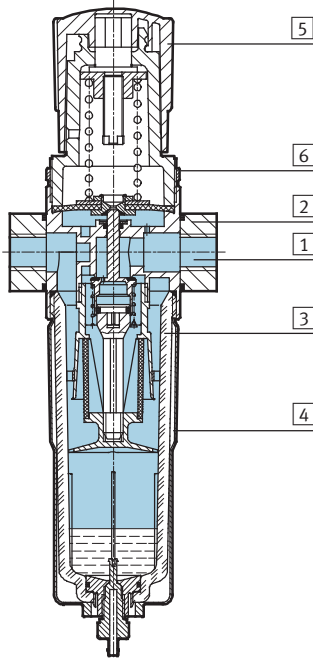
Weight [g]						
Size	Micro		Mini	Midi	Maxi	
	Female thread	Port block			Connection 3/4 NPT	Connection 1 NPT
With pressure gauge						
LFR-...	74	94	460	920	1370	1470
LFR-...-DI	–	–	–	–	1670	1670
LFRS-...	–	–	560	1160	1470	1570
LFRS-...-DI	–	–	–	–	1950	1950
Without pressure gauge						
LFR-...	64	84	410	830	1300	1400
LFR-...-DI	–	–	–	–	1600	1600
LFRS-...	–	–	510	1070	1400	1500
LFRS-...-DI	–	–	–	–	1880	1880

# LFR Filter/Regulators – D Series, NPT

Technical Data

## Materials

Sectional view



Filter regulator	Micro	Mini/Midi/Maxi
1 Housing	Wrought aluminum alloy	Die-cast zinc
2 Port blocks	Wrought aluminum alloy	Die-cast zinc/aluminum
3 Bowl	Polycarbonate	Polycarbonate
4 Metal bowl guard	–	Aluminum
5 Regulating knob	Polyacetal	Polyacetal
6 Knurled nut	Wrought aluminum alloy	Aluminum
– Seals	Nitrile rubber	Nitrile rubber

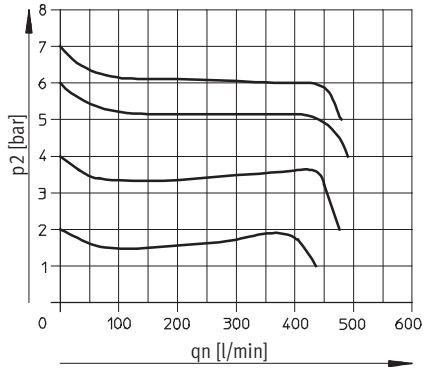
# LFR Filter/Regulators – D Series, NPT

Technical Data

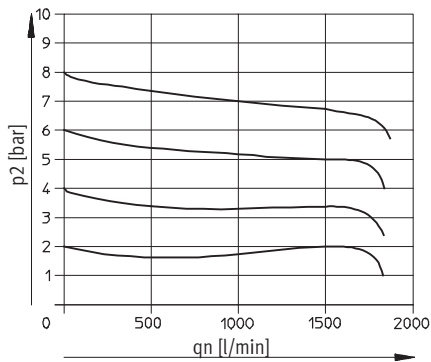


## Standard flow rate $q_n$ as a function of the output pressure $p_2$

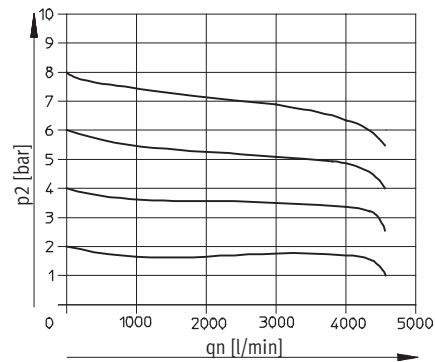
LFR-QS6-...-MICRO and LFR-1/8-...-MICRO



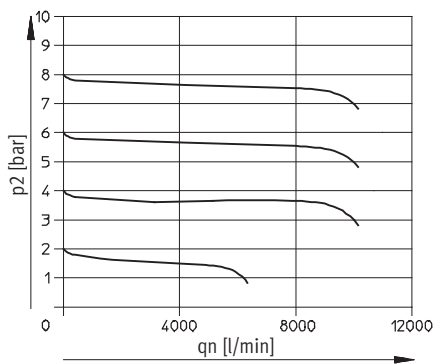
LFR-1/4-D-MINI



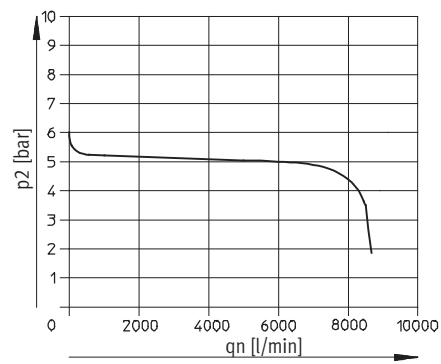
LFR-1/2-D-MIDI



LFR-1-D-MAXI



LFR-1-D-DI-MAXI



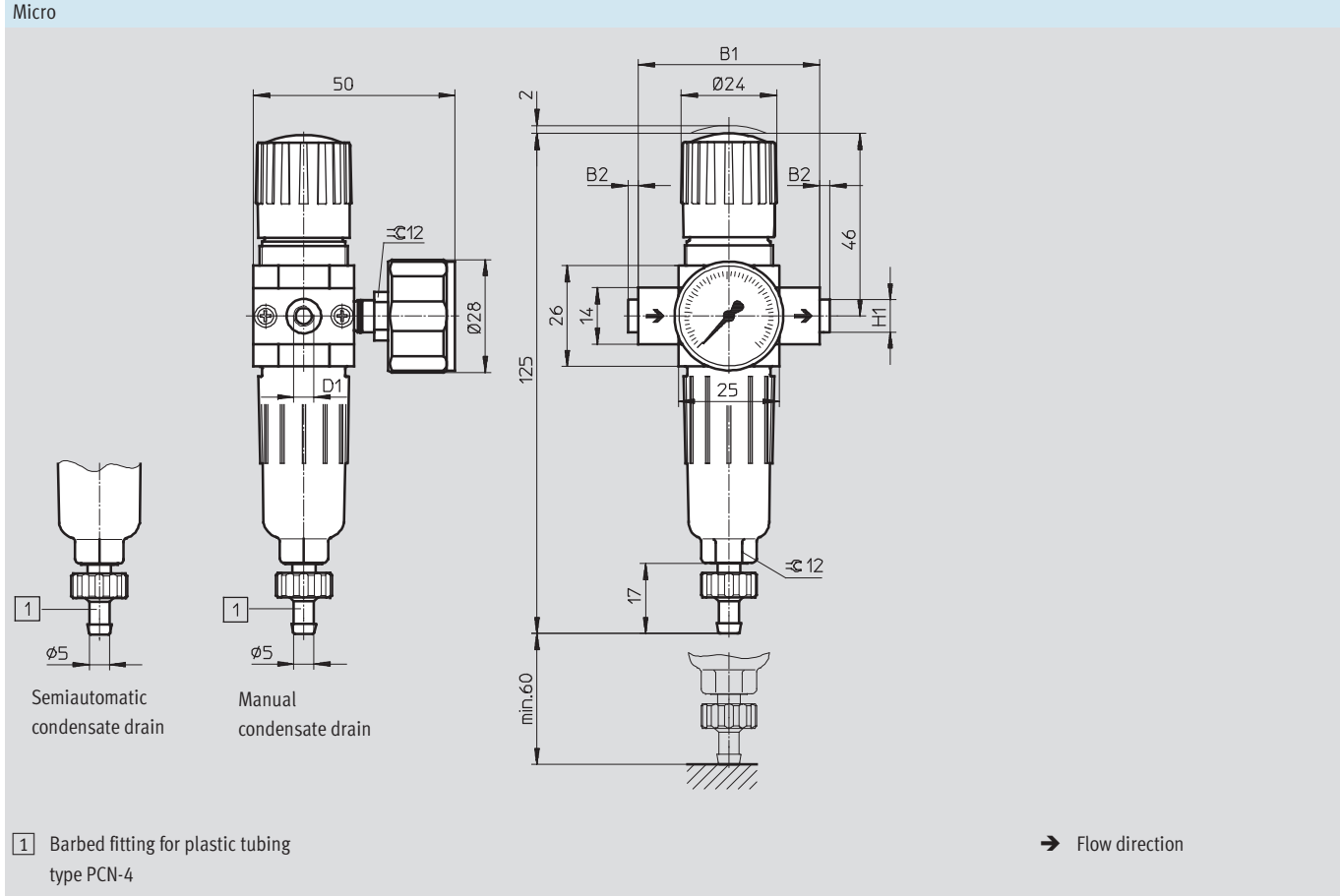
Primary pressure  $p_1 = 10$  bar

# LFR Filter/Regulators – D Series, NPT

Technical Data – Dimensional Drawings



Dimensions Download CAD Data → [www.festo.com/us/cad](http://www.festo.com/us/cad)



Type	B1	B2	D1	H1
LFR-1/8-...-MICRO (H)	45	-	1/8NPT	-

Note: This product conforms to ISO 1179-1 and ISO 228-1

# LFR Filter/Regulators – D Series, NPT

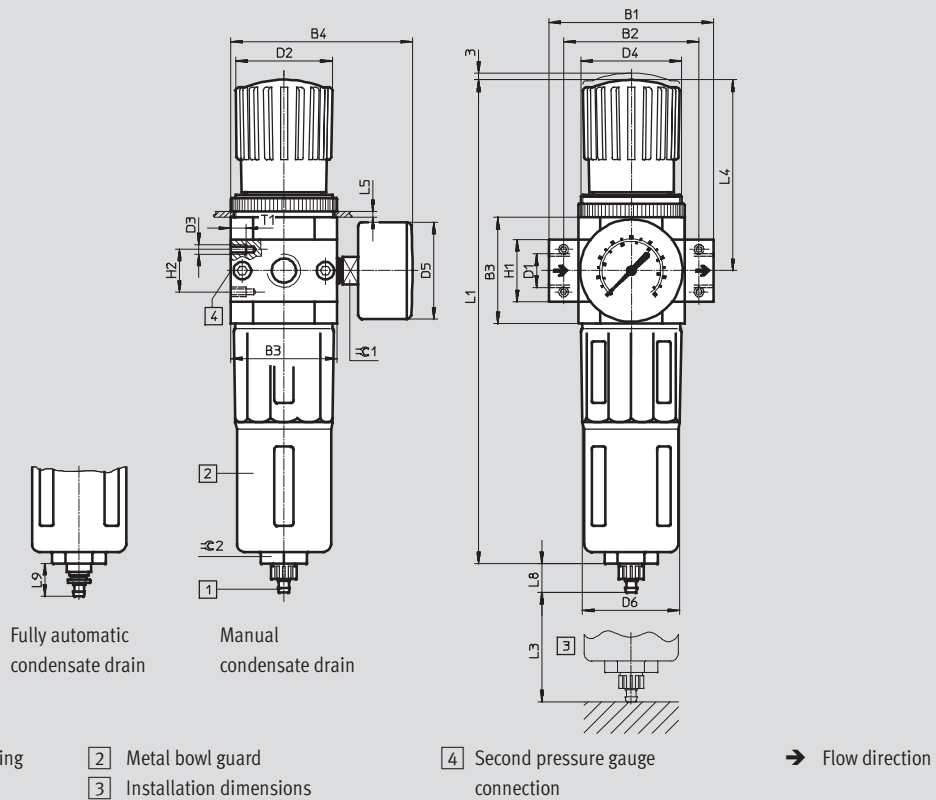
Technical Data – Dimensional Drawings



## Dimensions

Download CAD Data → [www.festo.com/us/cad](http://www.festo.com/us/cad)

Mini/Midi/Maxi



# LFR Filter/Regulators – D Series, NPT



Technical Data– Dimensional Drawings

Type	B1	B2	B3	B4	D1	D2 ∅	D3	D4	D5 ∅	D6 ∅
<b>Mini</b>										
LFR-1/8-D-MINI (A) (NPT)	64	52	40	76	1/8 NPT	31	M4	M36x1.5	41	38
LFR-1/4-D-MINI (A) (NPT)					1/4 NPT					
LFR-3/8-D-MINI (A) (NPT)	70	3/8 NPT								
<b>Midi</b>										
LFR-3/8-D-MIDI (A) (NPT)	85	70	55	95	3/8 NPT	50	M5	M52x1.5	50	52
LFR-1/2-D-MIDI (A) (NPT)					1/2 NPT					
LFR-3/4-D-MIDI (A) (NPT)					3/4 NPT					
<b>Maxi</b>										
LFR-3/4-D-MAXI (A) (NPT)	96	80	66	107	3/4 NPT	31	M5	M36x1.5	50	65
LFR-1-D-MAXI (A) (NPT)	116	91			1 NPT	31		M36x1.5		

Note: This product conforms to ISO 1179-1 and ISO 228-1

Type	H1	H2	L1	L3	L4	L5 max.	L6	L7	L8	L9	T1	≈C 1	≈C 2
<b>Mini</b>													
LFR-1/8-D-MINI (A) (NPT)	20	11	193	60	68	3	98	60	15	19	7	14	22
LFR-1/4-D-MINI (A) (NPT)													
LFR-3/8-D-MINI (A) (NPT)													
<b>Midi</b>													
LFR-3/8-D-MIDI (A) (NPT)	32	22	250	80	99	5	130	60	15	19	8	14	24
LFR-1/2-D-MIDI (A) (NPT)													
LFR-3/4-D-MIDI (A) (NPT)													
<b>Maxi</b>													
LFR-3/4-D-MAXI (A) (NPT)	32	22	252	90	82	4	111	60	15	19	8	14	24
LFR-1-D-MAXI (A) (NPT)	40		252		82		111						

# LFR/LFRS Filter/Regulators – D Series, NPT

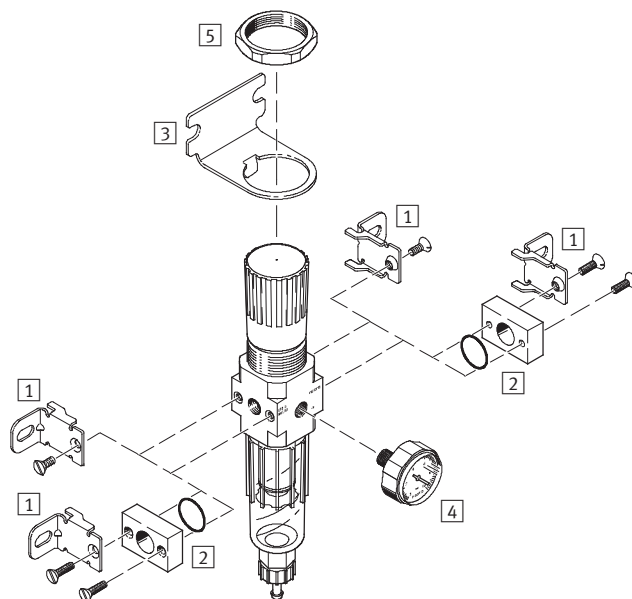
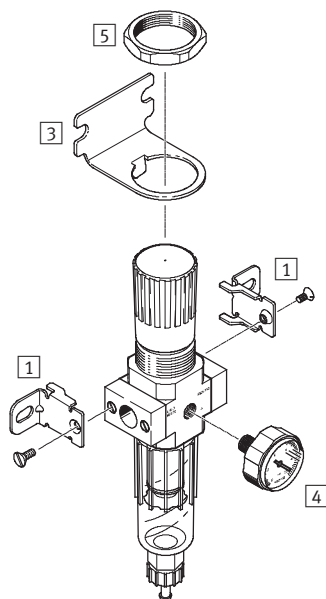
Accessories Overview



## Micro

Individual unit with port blocks, connection size 1/8 NPT

Individual unit without port blocks, for combination unit connection size M5 or M7 in housing



## Mounting attachments and accessories

	Individual unit		Combination		→ Page/Internet
	with port blocks	without port blocks	with port blocks	without port blocks	
1 Mounting bracket HFOE	■	■	■	■	hfoe
2 Port block kit PBL	-	■	-	■	pbl
3 Mounting bracket HRS	■	■	■	■	hrs
4 Pressure gauge MA-27	■	■	■	■	ma
5 Hexagon nut (included in scope of delivery) HMR	■	■	■	■	hmr

## Note

For Custom Combinations → FAST Program Selector Guide starting page 13

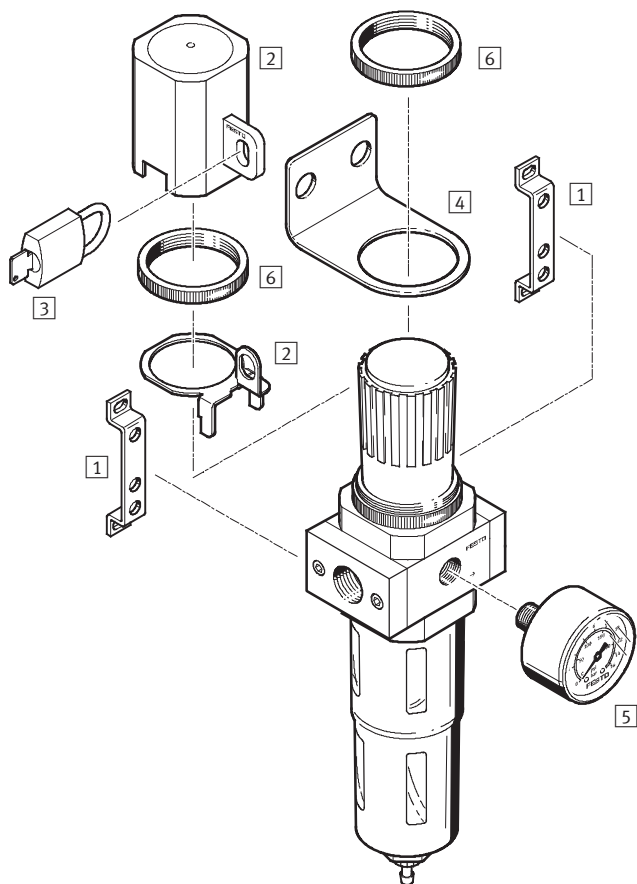


# LFR/LFRS Filter/Regulators – D Series, NPT

Accessories Overview

**Mini/Midi/Maxi**

Filter regulator LFR



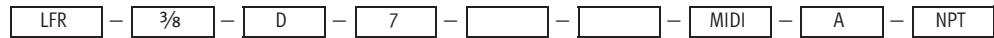
Mounting attachments and accessories		Rotary knob with detent	→ Page/Internet
1	Mounting bracket HFOE	■	hfoe
2	Regulator lock LRVS	■	lrvs
3	Padlock LRVS-D	■	Lrvs-d
4	Mounting bracket HR-D	■	hr
5	Pressure gauge MA	■	ma
6	Knurled nut (included in scope of delivery) HMR	■	hmr

**Note**

For Custom Combinations → FAST Program Selector Guide starting page 13

# LFR Filter/Regulators – D Series, NPT

Type Codes



Basic function	
LFR	Filter regulator

Pneumatic connection	
N <sup>1</sup> / <sub>8</sub>	1/8 NPT Thread (for Micro only)
1/8	1/8 NPT Thread
1/4	1/4 NPT Thread
3/8	3/8 NPT Thread
1/2	1/2 NPT Thread
3/4	3/4 NPT Thread
1	1 NPT Thread

Series	
D	Series

Pressure regulation range	
	0.5 ... 12 bar
7	0.5 ... 7 bar

Grade of filtration	
	40 µm
5M	5 µm

Pressure gauge	
	With pressure gauge
0	Without pressure gauge

Size	
MICRO	Grid dimension 25 mm (without port blocks)
MINI	Grid dimension 40 mm (without port blocks)
MIDI	Grid dimension 55 mm (without port blocks)
MAXI	Grid dimension 66 mm (without port blocks)

Condensate drain	
	Manual
H	Semiautomatic
A	Fully automatic

NPT connection (where available)	
NPT	NPT threaded connection (not in type code for Micro)

# LFR/LFRS Filter/Regulators – D Series, NPT



Ordering Data – Micro

Ordering data				
Pressure regulation range 0.5 ... 7 bar				
Condensate drain	Size	Connection	Grade of filtration 5 µm	
			Part No.	Type
With pressure gauge				
Manual	Micro	1/8 NPT	526281	LFR-N1/8-D-7-5M-MICRO
Semiautomatic	Micro	1/8 NPT	526282	LFR-N1/8-D-7-5M-MICRO-H
Without pressure gauge				
Manual	Micro	1/8 NPT	526283	LFR-N1/8-D-7-0-5M-MICRO
Semiautomatic	Micro	1/8 NPT	526284	LFR-N1/8-D-7-0-5M-MICRO-H

# LFR/LFRS Filter/Regulators – D Series, NPT



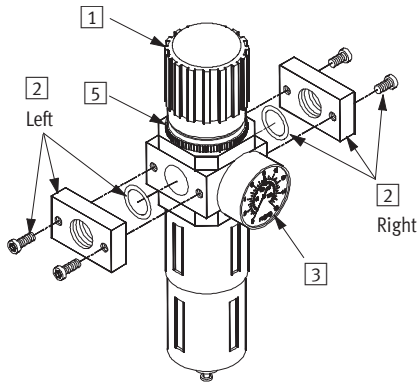
Ordering Data – Mini/Midi/Maxi

Ordering data								
Pressure regulation range 0.5 ... 12 bar, metal bowl guard								
Condensate drain	Size	Connection	Grade of filtration 5 µm		Grade of filtration 40 µm		Grade of filtration 40 µm	
			Part No.	Type	Part No.	Type	Part No.	Type
With pressure gauge						Without pressure gauge		
Manual	Mini	1/8 NPT	173760	LFR-1/8-D-5M-MINI-NPT	173756	LFR-1/8-D-MINI-NPT	173758	LFR-1/8-D-MINI-NPT
		1/4 NPT	173768	LFR-1/4-D-5M-MINI-NPT	173764	LFR-1/4-D-MINI-NPT	173766	LFR-1/4-D-MINI-NPT
		3/8 NPT	173776	LFR-3/8-D-5M-MINI-NPT	173772	LFR-3/8-D-MINI-NPT	173774	LFR-3/8-D-MINI-NPT
	Midi	3/8 NPT	173784	LFR-3/8-D-5M-MIDI-NPT	173780	LFR-3/8-D-MIDI-NPT	173782	LFR-3/8-D-MIDI-NPT
		1/2 NPT	173792	LFR-1/2-D-5M-MIDI-NPT	173788	LFR-1/2-D-MIDI-NPT	173790	LFR-1/2-D-MIDI-NPT
		3/4 NPT	173800	LFR-3/4-D-5M-MIDI-NPT	173796	LFR-3/4-D-MIDI-NPT	173798	LFR-3/4-D-MIDI-NPT
	Maxi	3/4 NPT	173808	LFR-3/4-D-5M-MAXI-NPT	173804	LFR-3/4-D-MAXI-NPT	173806	LFR-3/4-D-MAXI-NPT
		1 NPT	173816	LFR-1-D-5M-MAXI-NPT	173812	LFR-1-D-MAXI-NPT	173814	LFR-1-D-MAXI-NPT
	Fully automatic	Mini	1/8 NPT	173761	LFR-1/8-D-5M-MINI-A-NPT	173757	LFR-1/8-D-MINI-A-NPT	173759
1/4 NPT			173769	LFR-1/4-D-5M-MINI-A-NPT	173765	LFR-1/4-D-MINI-A-NPT	173767	LFR-1/4-D-MINI-A-NPT
3/8 NPT			173777	LFR-3/8-D-5M-MINI-A-NPT	173773	LFR-3/8-D-MINI-A-NPT	173775	LFR-3/8-D-MINI-A-NPT
Midi		3/8 NPT	173785	LFR-3/8-D-5M-MIDI-A-NPT	173781	LFR-3/8-D-MIDI-A-NPT	173783	LFR-3/8-D-MIDI-A-NPT
		1/2 NPT	173793	LFR-1/2-D-5M-MIDI-A-NPT	173789	LFR-1/2-D-MIDI-A-NPT	173791	LFR-1/2-D-MIDI-A-NPT
		3/4 NPT	173801	LFR-3/4-D-5M-MIDI-A-NPT	173797	LFR-3/4-D-MIDI-A-NPT	173799	LFR-3/4-D-MIDI-A-NPT
Maxi		3/4 NPT	173809	LFR-3/4-D-5M-MAXI-A-NPT	173805	LFR-3/4-D-MAXI-A-NPT	173807	LFR-3/4-D-MAXI-A-NPT
		1 NPT	173817	LFR-1-D-5M-MAXI-A-NPT	173813	LFR-1-D-MAXI-A-NPT	173815	LFR-1-D-MAXI-A-NPT

Ordering data								
Pressure regulation range 0.5 ... 7 bar, metal bowl guard								
Condensate drain	Size	Connection	Grade of filtration 40 µm					
			Part No.	Type				
With pressure gauge								
Manual	Mini	1/8 NPT	173762	LFR-1/8-D-7-MINI-NPT				
		1/4 NPT	173770	LFR-1/4-D-7-MINI-NPT				
		3/8 NPT	173778	LFR-3/8-D-7-MINI-NPT				
	Midi	3/8 NPT	173786	LFR-3/8-D-7-MIDI-NPT				
		1/2 NPT	173794	LFR-1/2-D-7-MIDI-NPT				
		3/4 NPT	173802	LFR-3/4-D-7-MIDI-NPT				
	Maxi	3/4 NPT	173810	LFR-3/4-D-7-MAXI-NPT				
		1 NPT	173818	LFR-1-D-7-MAXI-NPT				
	Fully automatic	Mini	1/8 NPT	173763	LFR-1/8-D-7-MINI-A-NPT			
1/4 NPT			173771	LFR-1/4-D-7-MINI-A-NPT				
3/8 NPT			173779	LFR-3/8-D-7-MINI-A-NPT				
Midi		3/8 NPT	173787	LFR-3/8-D-7-MIDI-A-NPT				
		1/2 NPT	173795	LFR-1/2-D-7-MIDI-A-NPT				
		3/4 NPT	173803	LFR-3/4-D-7-MIDI-A-NPT				
Maxi		3/4 NPT	173811	LFR-3/4-D-7-MAXI-A-NPT				
		1 NPT	173819	LFR-1-D-7-MAXI-A-NPT				

# FAST\* Program – Filter/Regulator Selector Guide

LFR Filter/Regulators – D Series, NPT



A complete filter regulator assembly consists of the following items:

Item	Description	Qty Required per Assy
1	Main Unit	1
2	Port Block Kit	2 (one left, one right)
3	Gauge	1
4	Wall Mounting Bracket Kit (Optional, not shown)	1
5	Knurled Nut (Optional)	1

**Note:** Joining rods (not shown here) are not needed in this assembly.

\*FAST = Festo Assured Shipping Time. Ordering via the FAST program means same day / next day shipping from our warehouse of the parts required to assemble a complete air preparation unit.

# FAST Program – LFR Filter/Regulator Selector Guide



LFR Filter/Regulators – D Series, NPT

**Step 1:** Based upon the required Port Size, Maximum Output Pressure, Maximum Flow, Filtration Level, Drain Type, and Thread Type, select the Main Unit (Item **1**), the Left and Right Port Block Kits (Item **2**), and, if required, Gauge (Item **3**) and Knurled Nut (Item **5**).

Port size	Max. Output Pressure (bar/psi)	Max. Flow (l/min/scfm)	Filtration Level (µm)	Drain	Product Type/Description	Item									
						Main Unit	NPT Thread		BSP Thread		Gauge (if required)	Knurled nut (if required)			
							Left Port Block Kit	Right Port Block Kit	Left Port Block Kit	Right Port Block Kit					
1/8	7/102	900/31.8	40	Man.	LFR-...-D-MINI-...	546456	546520	546521	546495	546496	546485	530025			
				Auto		546457									
	Man.	546432		546479											
	Auto	546433													
	12/174	750/26.5	5	Man.		546454									
				Auto		546455									
1/4	7/102	1400/49.4	40	Man.	LFR-...-D-MIDI-...	546456	546522	546523	546497	546498	546485	530026			
				Auto		546457									
	Man.	546463		546536		546537					546532		546533	546484	
	Auto	546464													
	12/174	1500/52.9	5	Man.		LFR-...-D-MINI-...	546432	546522	546523	546497	546498		546479		
				Auto		LFR-...-D-MINI-...	546433	546522	546523	546497	546498		530025		
	2000/70.6	2000/70.6	5	Man.		LFR-...-D-MIDI-...	546425	546536	546537	546532	546533		546482	530026	
				Auto		LFR-...-D-MIDI-...	546426	546536	546537	546532	546533		546482	530026	
	1200/42.4	1200/42.4	5	Man.		LFR-...-D-MINI-...	546454	546522	546523	546497	546498		546479	530025	
				Auto		LFR-...-D-MINI-...	546455	546522	546523	546497	546498		546479	530025	
	1600/56.5	1600/56.5	5	Man.		LFR-...-D-MIDI-...	546461	546536	546537	546532	546533		546482	530026	
				Auto		LFR-...-D-MIDI-...	546462	546536	546537	546532	546533		546482	530026	
3/8	7/102	1700/60.0	40	Man.	LFR-...-D-MINI-...	546456	546524	546525	546499	546500	546485	530025			
				Auto		546457									
	Man.	LFR-...-D-MIDI-...		546463		546530					546531		546501	546502	546484
	Auto	LFR-...-D-MIDI-...		546464											
	12/174	1600/56.5	5	Man.		LFR-...-D-MINI-...	546432	546524	546525	546499	546500		546479	530025	
				Auto		LFR-...-D-MINI-...	546433	546524	546525	546499	546500		546479	530025	
	3100/109.5	3100/109.5	5	Man.		LFR-...-D-MIDI-...	546425	546530	546531	546501	546502		546482	530026	
				Auto		LFR-...-D-MIDI-...	546426	546530	546531	546501	546502		546482	530026	
	1350/47.7	1350/47.7	5	Man.		LFR-...-D-MINI-...	546454	546524	546525	546499	546500		546479	530025	
				Auto		LFR-...-D-MINI-...	546455	546524	546525	546499	546500		546479	530025	
	2400/84.8	2400/84.8	5	Man.		LFR-...-D-MIDI-...	546461	546530	546531	546501	546502		546482	530026	
				Auto		LFR-...-D-MIDI-...	546462	546530	546531	546501	546502		546482	530026	

# FAST Program – LFR Filter/Regulator Selector Guide



LFR Filter/Regulators – D Series, NPT

						Item				[3]	[5]						
Port size	Max. Output Pressure (bar/psi)	Max. Flow (l/min/scfm)	Filtration Level (µm)	Drain	Product Type/Description	Main Unit	NPT Thread		BSP Thread		Gauge (If required)	Knurled nut (If required)					
							Left Port Block Kit	Right Port Block Kit	Left Port Block Kit	Right Port Block Kit							
½	7/102	3900/137.7	40	Man.	LFR-...-D-MIDI-...	546463	546526	546527	546503	546504	546484	530026					
				Auto		546464											
		Man.		LFR-...-D-MAXI-...	546470	546538							546539	546534	546535	530025	
		Auto			546471												
	Man.	LFR-...-DI-MAXI-...*	546514	546518	546512	546515	546512	546515									
	Auto		546518														
	12/174	3400/120.1	40	Man.	LFR-...-D-MIDI-...	546425	546526	546527	546503	546504	546482	530026					
				Auto		546426											
		Man.		LFR-...-D-MAXI-...	546437	546538							546539	546534	546535	530025	
		Auto			546438												
	Man.	LFR-...-DI-MAXI-...*	546512	546515	546512	546515	546512	546515									
	Auto		546515														
2500/88.3	5	5	Man.	LFR-...-D-MIDI-...	546461	546526	546527	546503	546504	546482	530026						
			Auto		546462												
			Man.	LFR-...-D-MAXI-...	546468							546538	546539	546534	546535	530025	
			Auto		546469												
7580/267.7																	
¾	7/102	4000/141.3	40	Man.	LFR-...-D-MIDI-...	546463	546528	546529	546507	546508	546484	530026					
				Auto		546464											
		Man.		LFR-...-D-MAXI-...	546470	546490							546492	546507	546508	530025	
		Auto			546471												
	Man.	LFR-...-DI-MAXI-...*	546514	546518	546512	546515	546512	546515									
	Auto		546518														
	12/174	3400/120.1	40	Man.	LFR-...-D-MIDI-...	546425	546528	546529	546505	546506	546482	530026					
				Auto		546426											
		Man.		LFR-...-D-MAXI-...	546437	546490							546492	546507	546508	530025	
		Auto			546438												
	Man.	LFR-...-DI-MAXI-...*	546512	546515	546512	546515	546512	546515									
	Auto		546515														
2600/91.8	5	5	Man.	LFR-...-D-MIDI-...	546461	546528	546529	546505	546506	546482	530026						
			Auto		546462												
			Man.	LFR-...-D-MAXI-...	546468							546490	546492	546507	546508	530025	
			Auto		546469												
7600/268.4																	
1	7/102	11000/388.5	40	Man.		546470	546491	546493	546509	546510	546484	530026					
				Auto		546471											
				Man.	LFR-...-DI-MAXI-...*	546514							546518	546512	546515	546512	546515
				Auto		546518											
	12/174	10000/353.2	40	Man.	LFR-...-D-MAXI-...	546437	546491	546493	546509	546510	546482	530026					
				Auto		546438											
				Man.	LFR-...-DI-MAXI-...*	546512							546515	546512	546515	546512	546515
				Auto		546515											
8000/282.5	5	5	Man.	LFR-...-D-MAXI-...	546468	546491	546493	546509	546510	546482	530026						
			Auto		546469												
			Man.	LFR-...-D-MAXI-...	546468							546491	546493	546509	546510	546482	530026
			Auto		546469												

\* DI = Directly actuated diaphragm regulator with integrated return flow function.

## FAST Program – LFR Filter/Regulator Selector Guide

LFR Filter/Regulators – D Series, NPT



**Step 2:** Based upon the Product Type/Description from Step 1, select the (optional) Wall Mounting Bracket Kit (Item 4).

	Item <span style="border: 1px solid black; padding: 0 2px;">4</span> (Not shown)
Product Type/ Description	Wall Mounting Bracket Kit (Optional) For more information on Mounting Brackets, see → Internet hrs
LFR-...-D-MINI-...	159638
LFR-...-D-MIDI-...	159593
LFR-...-D-MAXI-...	

**Step3:** Determine the appropriate quantity of each Item.

### Ordering Example:

**Required:** ¼ port size, 8 bar output pressure, 1800 l/min flow, 40µm filtration, automatic drain, BSP threads, gauge, wall mounting bracket kit and knurled nut.

	Item	Part No.	Qty	Description
Order:	<span style="border: 1px solid black; padding: 0 2px;">1</span>	546426	1	Main Unit
	<span style="border: 1px solid black; padding: 0 2px;">2</span>	546532	1	Left Port Block Kit
		546533	1	Right Port Block Kit
	<span style="border: 1px solid black; padding: 0 2px;">3</span>	546482	1	Gauge
	<span style="border: 1px solid black; padding: 0 2px;">4</span>	159593	1	Wall Mounting Bracket Kit
	<span style="border: 1px solid black; padding: 0 2px;">5</span>	530026	1	Knurled Nut (MIDI)



# Product Range and Company Overview

## A Complete Suite of Automation Services

Our experienced engineers provide complete support at every stage of your development process, including: conceptualization, analysis, engineering, design, assembly, documentation, validation, and production.



**Custom Automation Components**  
Complete custom engineered solutions



**Custom Control Cabinets**  
Comprehensive engineering support and on-site services



**Complete Systems**  
Shipment, stocking and storage services

## The Broadest Range of Automation Components

With a comprehensive line of more than 30,000 automation components, Festo is capable of solving the most complex automation requirements.



**Electromechanical**  
Electromechanical actuators, motors, controllers & drives



**Pneumatics**  
Pneumatic linear and rotary actuators, valves, and air supply



**PLCs and I/O Devices**  
PLC's, operator interfaces, sensors and I/O devices

## Supporting Advanced Automation... As No One Else Can!

Festo is a leading global manufacturer of pneumatic and electromechanical systems, components and controls for industrial automation, with more than 12,000 employees in 56 national headquarters serving more than 180 countries. For more than 80 years, Festo has continuously elevated the state of manufacturing with innovations and optimized motion control solutions that deliver higher performing, more profitable automated manufacturing and processing equipment. Our dedication to the advancement of automation extends beyond technology to the education and development of current and future automation and robotics designers with simulation tools, teaching programs, and on-site services.

## Quality Assurance, ISO 9001 and ISO 14001 Certifications

Festo Corporation is committed to supply all Festo products and services that will meet or exceed our customers' requirements in product quality, delivery, customer service and satisfaction.

To meet this commitment, we strive to ensure a consistent, integrated, and systematic approach to management that will meet or exceed the requirements of the ISO 9001 standard for Quality Management and the ISO 14001 standard for Environmental Management.



© Copyright 2008, Festo Corporation. While every effort is made to ensure that all dimensions and specifications are correct, Festo cannot guarantee that publications are completely free of any error, in particular typing or printing errors. Accordingly, Festo cannot be held responsible for the same. For Liability and Warranty conditions, refer to our "Terms and Conditions of Sale", available from your local Festo office. All rights reserved. No part of this publication may be reproduced, distributed, or transmitted in any form or by any means, electronic, mechanical, photocopying or otherwise, without the prior written permission of Festo. All technical data subject to change according to technical update.



Printed on recycled paper at New Horizon Graphic, Inc., FSC certified as an environmentally friendly printing plant.

# Festo North America

## Festo Regional Contact Center

5300 Explorer Drive  
Mississauga, Ontario L4W 5G4  
Canada

### USA Customers:

For ordering assistance,  
**Call:** 1.800.99.FESTO (1.800.993.3786)  
**Fax:** 1.800.96.FESTO (1.800.963.3786)  
**Email:** customer.service@us.festo.com

For technical support,  
**Call:** 1.866.GO.FESTO (1.866.463.3786)  
**Fax:** 1.800.96.FESTO (1.800.963.3786)  
**Email:** product.support@us.festo.com

### Canadian Customers:

**Call:** 1.877.GO.FESTO (1.877.463.3786)  
**Fax:** 1.877.FX.FESTO (1.877.393.3786)  
**Email:** festo.canada@ca.festo.com

---

## USA Headquarters

Festo Corporation  
395 Moreland Road  
P.O. Box 18023  
Hauppauge, NY 11788, USA  
[www.festo.com/us](http://www.festo.com/us)

---

## USA Sales Offices

### Appleton

North 922 Tower View Drive, Suite N  
Greenville, WI 54942, USA

### Boston

120 Presidential Way, Suite 330  
Woburn, MA 01801, USA

### Chicago

1441 East Business Center Drive  
Mt. Prospect, IL 60056, USA

### Dallas

1825 Lakeway Drive, Suite 600  
Lewisville, TX 75057, USA

### Detroit – Automotive Engineering Center

2601 Cambridge Court, Suite 320  
Auburn Hills, MI 48326, USA

### New York

395 Moreland Road  
Hauppauge, NY 11788, USA

### Silicon Valley

4935 Southfront Road, Suite F  
Livermore, CA 94550, USA

---

## Central USA

Festo Corporation  
1441 East Business  
Center Drive  
Mt. Prospect, IL 60056, USA  
Phone: 1.847.759.2600  
Fax: 1.847.768.9480



## Western USA

Festo Corporation  
4935 Southfront Road,  
Suite F  
Livermore, CA 94550, USA  
Phone: 1.925.371.1099  
Fax: 1.925.245.1286



---

## Festo Worldwide

Argentina Australia Austria Belarus Belgium Brazil Bulgaria Canada Chile China Colombia Croatia Czech Republic Denmark  
Estonia Finland France Germany Great Britain Greece Hong Kong Hungary India Indonesia Iran Ireland Israel Italy Japan Latvia  
Lithuania Malaysia Mexico Netherlands New Zealand Norway Peru Philippines Poland Romania Russia Serbia Singapore  
Slovakia Slovenia South Africa South Korea Spain Sweden Switzerland Taiwan Thailand Turkey Ukraine United States Venezuela

[www.festo.com](http://www.festo.com)

## United States



**USA Headquarters, East:** Festo Corp., 395 Moreland Road, Hauppauge, NY 11788  
Phone: 1.631.435.0800; Fax: 1.631.435.8026;  
Email: [info@festo-usa.com](mailto:info@festo-usa.com) [www.festo.com/us](http://www.festo.com/us)

## Canada



**Headquarters:** Festo Inc., 5300 Explorer Drive, Mississauga, Ontario L4W 5G4  
Phone: 1.905.624.9000; Fax: 1.905.624.9001;  
Email: [festo.canada@ca.festo.com](mailto:festo.canada@ca.festo.com) [www.festo.ca](http://www.festo.ca)

## Mexico



**Headquarters:** Festo Pneumatic, S.A., Av. Ceylán 3, Col. Tequesquahuac,  
54020 Tlalnequahuac, Edo. de México  
Phone: 011 52 [55] 53 21 66 00; Fax: 011 52 [55] 53 21 66 65;  
Email: [festo.mexico@mx.festo.com](mailto:festo.mexico@mx.festo.com) [www.festo.com/mx](http://www.festo.com/mx)