

# Connecting cables NEBV, for valves

Technical data

## Connecting cable KMYZ-7

- Connecting cable for connecting individual valves CPV/CPA
- Pre-assembled
- Cable lengths 2.5 m, 5 m and 10 m
- With LEDs and protective circuit
- With integrated holding current reduction



| General technical data               |   |
|--------------------------------------|---|
| Electrical connection                | Angled socket, 2-pin, square design<br>Open cable end, 2-wire |
| Switching position display           | LED   |
| Additional functions                 | Holding current reduction                                     |
| Nominal operating voltage [V DC]     | 24  |
| Cable composition [mm <sup>2</sup> ] | 2x0.25  |
| Cable diameter [mm]                  | 3.4   |
| Protective earth connection          | No  |
| Type of mounting                     | On solenoid valve via self-tapping screw                      |
| Tightening torque [Nm]               | 0.25  |
| Mounting position                    | Any   |
| Protection class to EN 60529         | IP65 (assembled)  |

| Materials         |                |
|-------------------|----------------|
| Housing           | Polyamide      |
| Pin contact       | Bronze         |
| Cable sheath      | TPE-U(PUR)     |
| Note on materials | RoHS-compliant |

| Operating and environmental conditions        |                                   |
|---|-----------------------------------|
| Ambient temperature [°C]                      | -10 ... +50                       |
| CE marking<br>(see declaration of conformity) | To EU EMC Directive <sup>1)</sup> |

1) For information about the applicability of the component see the manufacturer's EC declaration of conformity at: [www.festo.com/sp](http://www.festo.com/sp) → User documentation.  
If the component is subject to restrictions on usage in residential, office or commercial environments or small businesses, further measures to reduce the emitted interference may be necessary.

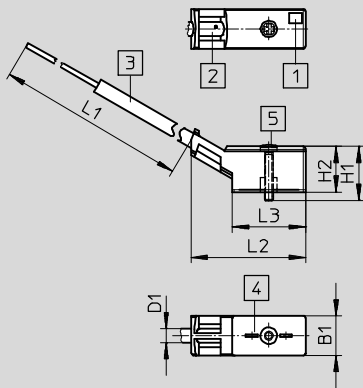
# Connecting cables NEBV, for valves

Technical data

FESTO

## Dimensions

Download CAD data → [www.festo.com](http://www.festo.com)



- 1 LED illuminated area
- 2 Inscription area
- 3 2-wire cable 2.5 m, 5 m or 10 m (2x0.25 mm<sup>2</sup>)
- 4 Connection pattern for MZC solenoid coil
- 5 Mounting screw

| Type                  | B1  | D1  | H1    | H2    | L1     | L2   | L3 |
|-----------------------|-----|-----|-------|-------|--------|------|----|
| KMYZ-7-24-2,5-LED-PUR | 9.7 | 3.4 | 13.25 | 12.15 | 2,500  | 28.1 | 18 |
| KMYZ-7-24-5-LED-PUR   | 9.7 | 3.4 | 13.25 | 12.15 | 5,000  | 28.1 | 18 |
| KMYZ-7-24-10-LED-PUR  | 9.7 | 3.4 | 13.25 | 12.15 | 10,000 | 28.1 | 18 |

## Ordering data

| Electrical connection   | Switching position display | Weight | Cable length | Part No.      | Type                         |
|---|----------------------------|--------|--------------|---------------|------------------------------|
| Angled socket, square design, 2-pin<br>Open cable end, 2-wire | LED                        | 50 g   | 2.5 m        | <b>193683</b> | <b>KMYZ-7-24-2,5-LED-PUR</b> |
|   | LED                        | 90 g   | 5 m          | <b>193685</b> | <b>KMYZ-7-24-5-LED-PUR</b>   |
|   | LED                        | 170 g  | 10 m         | <b>196070</b> | <b>KMYZ-7-24-10-LED-PUR</b>  |

## Ordering data – Accessories

| Description                                      | Part No.     | Type            |
|--|--------------|-----------------|
| Inscription labels 6x10 mm, 64 pieces, in frames | <b>18576</b> | <b>IBS-6x10</b> |

## Product Range and Company Overview

### A Complete Suite and Company Overview

Our experienced engineers provide complete support at every stage of your development process, including: conceptualization, analysis, engineering, design, assembly, documentation, validation, and production.



**Custom Automation Components**  
Complete custom engineered solutions



**Custom Control Cabinets**  
Comprehensive engineering support and on-site services



**Complete Systems**  
Shipment, stocking and storage services

### The Broadest Range of Automation Components

With a comprehensive line of more than 30,000 automation components, Festo is capable of solving the most complex automation requirements.



**Electromechanical**  
Electromechanical actuators, motors, controllers & drivers



**Pneumatics**  
Pneumatic linear and rotary actuators, valves, and air supply



**PLCs and I/O Devices**  
PLC's, operator interfaces, sensors and I/O devices

### Supporting Advanced Automation... As No One Else Can!

Festo is a leading global manufacturer of pneumatic and electromechanical systems, components and controls for industrial automation, with more than 16,000 employees in 60 national headquarters serving more than 180 countries. For more than 80 years, Festo has continuously elevated the state of manufacturing with innovations and optimized motion control solutions that deliver higher performing, more profitable automated manufacturing and processing equipment. Our dedication to the advancement of automation extends beyond technology to the education and development of current and future automation and robotics designers with simulation tools, teaching programs, and on-site services.

### Quality Assurance, ISO 9001 and ISO 14001 Certifications

Festo Corporation is committed to supply all Festo products and services that will meet or exceed our customers' requirements in product quality, delivery, customer service and satisfaction.

To meet this commitment, we strive to ensure a consistent, integrated, and systematic approach to management that will meet or exceed the requirements of the ISO 9001 standard for Quality Management and the ISO 14001 standard for Environmental Management.



© Copyright 2013, Festo Corporation. While every effort is made to ensure that all dimensions and specifications are correct, Festo cannot guarantee that publications are completely free of any error, in particular typing or printing errors. Accordingly, Festo cannot be held responsible for the same. For Liability and Warranty conditions, refer to our "Terms and Conditions of Sale", available from your local Festo office. All rights reserved. No part of this publication may be reproduced, distributed, or transmitted in any form or by any means, electronic, mechanical, photocopying or otherwise, without the prior written permission of Festo. All technical data subject to change according to technical update.



Printed on recycled paper at New Horizon Graphic, Inc., FSC certified as an environmental friendly printing plant.

# Festo North America



**1 Festo Canada  
Headquarters  
Festo Inc.**  
5300 Explorer Drive  
Mississauga, ON  
L4W 5G4

**2 Montréal**  
5600, Trans-Canada  
Pointe-Claire, QC  
H9R 1B6

**3 Québec City**  
2930, rue Watt#117  
Québec, QC  
G1X 4G3



**4 Festo United States  
Headquarters  
Festo Corporation**  
395 Moreland Road  
Hauppauge, NY  
11788

**5 Appleton**  
North 922 Tower View Drive, Suite N  
Greenville, WI  
54942

**7 Detroit**  
1441 West Long Lake Road  
Troy, MI  
48098

**6 Chicago**  
85 W Algonquin - Suite 340  
Arlington Heights, IL  
60005

**8 Silicon Valley**  
4935 Southfront Road, Suite F  
Livermore, CA  
94550

## Festo Regional Contact Center

### Canadian Customers

Commercial Support:  
Tel: 1 877 GO FESTO (1 877 463 3786)  
Fax: 1 877 FX FESTO (1 877 393 3786)  
Email: festo.canada@ca.festo.com

Technical Support:  
Tel: 1 866 GO FESTO (1 866 463 3786)  
Fax: 1 877 FX FESTO (1 877 393 3786)  
Email: technical.support@ca.festo.com

### USA Customers

Commercial Support:  
Tel: 1 800 99 FESTO (1 800 993 3786)  
Fax: 1 800 96 FESTO (1 800 963 3786)  
Email: customer.service@us.festo.com

Technical Support:  
Tel: 1 866 GO FESTO (1 866 463 3786)  
Fax: 1 800 96 FESTO (1 800 963 3786)  
Email: product.support@us.festo.com