

Connecting cables NEBV, for valves

Technical data

Plug socket with cable KME

- Plug socket with cable for valves with E solenoid coils
- Pre-assembled
- Cable lengths 2.5 to 10 m



General technical data	
Electrical connection	Angled socket, square design, 3-pin, type C (industrial type) Open end, 2-wire
Switching position display	LED
Protective earth connection	Not present
Nominal operating voltage [V DC]	24
Acceptable current load [A]	4
Cable composition [mm ²]	2x0.75
Cable diameter [mm]	5.2
Cable diameter tolerance [mm]	±0.1
Min. cable bending radius [mm]	52
Cable properties	For static applications
Type of mounting	On solenoid valve via central screw M3
Tightening torque of plug socket [Nm]	Max. 0.35
Mounting position	Any
Degree of protection to EN 60529	IP67 (assembled)

Materials	
Housing	TPE-U(PU)
Seals	NBR
Pin contact	Bronze
Cable sheath	PVC

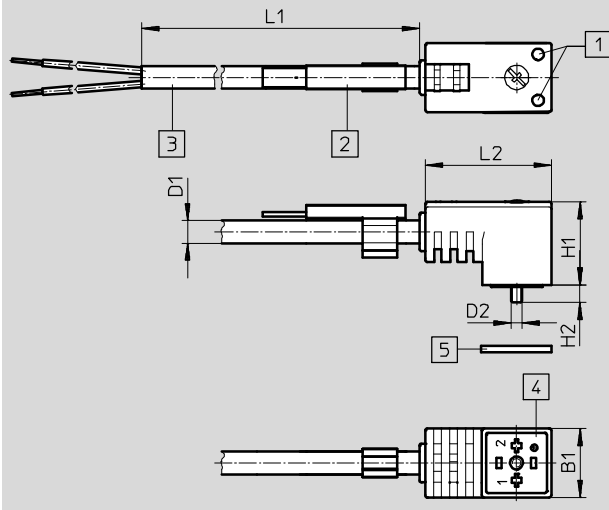
Operating and environmental conditions	
Ambient temperature [°C]	-20 ... +80

Connecting cables NEBV, for valves

Technical data

Dimensions

Download CAD data → www.festo.com



- 1 LED illuminated area
- 2 Inscription label holder ASCF with label ASLR-L-423 (scope of delivery)
- 3 2-wire cable (2 x 0.75 mm²)
- 4 Plug pattern, type C
- 5 Seal

Type	B1	D1	D2	H1	H2	L1	L2
KME-1-24DC-2,5-LED	16	5.2	M3	19.3	4	2500	29.1
KME-1-24DC-5-LED						5000	
KME-1-24-10-LED						10000	

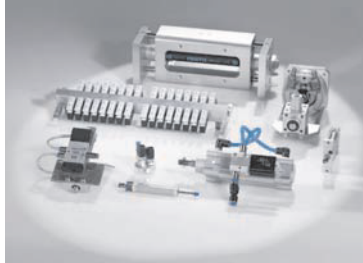
Ordering data

Electrical connection	Product weight [g]	Length [m]	Part No.	Type
Angled socket, square design, 3-pin, type C	135	2.5	30943	KME-1-24DC-2,5-LED
	280	5	30945	KME-1-24DC-5-LED
	570	10	193455	KME-1-24-10-LED

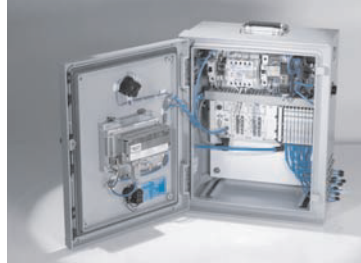
Product Range and Company Overview

A Complete Suite and Company Overview

Our experienced engineers provide complete support at every stage of your development process, including: conceptualization, analysis, engineering, design, assembly, documentation, validation, and production.



Custom Automation Components
Complete custom engineered solutions



Custom Control Cabinets
Comprehensive engineering support and on-site services



Complete Systems
Shipment, stocking and storage services

The Broadest Range of Automation Components

With a comprehensive line of more than 30,000 automation components, Festo is capable of solving the most complex automation requirements.



Electromechanical
Electromechanical actuators, motors, controllers & drivers



Pneumatics
Pneumatic linear and rotary actuators, valves, and air supply



PLCs and I/O Devices
PLC's, operator interfaces, sensors and I/O devices

Supporting Advanced Automation... As No One Else Can!

Festo is a leading global manufacturer of pneumatic and electromechanical systems, components and controls for industrial automation, with more than 16,000 employees in 60 national headquarters serving more than 180 countries. For more than 80 years, Festo has continuously elevated the state of manufacturing with innovations and optimized motion control solutions that deliver higher performing, more profitable automated manufacturing and processing equipment. Our dedication to the advancement of automation extends beyond technology to the education and development of current and future automation and robotics designers with simulation tools, teaching programs, and on-site services.

Quality Assurance, ISO 9001 and ISO 14001 Certifications

Festo Corporation is committed to supply all Festo products and services that will meet or exceed our customers' requirements in product quality, delivery, customer service and satisfaction.

To meet this commitment, we strive to ensure a consistent, integrated, and systematic approach to management that will meet or exceed the requirements of the ISO 9001 standard for Quality Management and the ISO 14001 standard for Environmental Management.

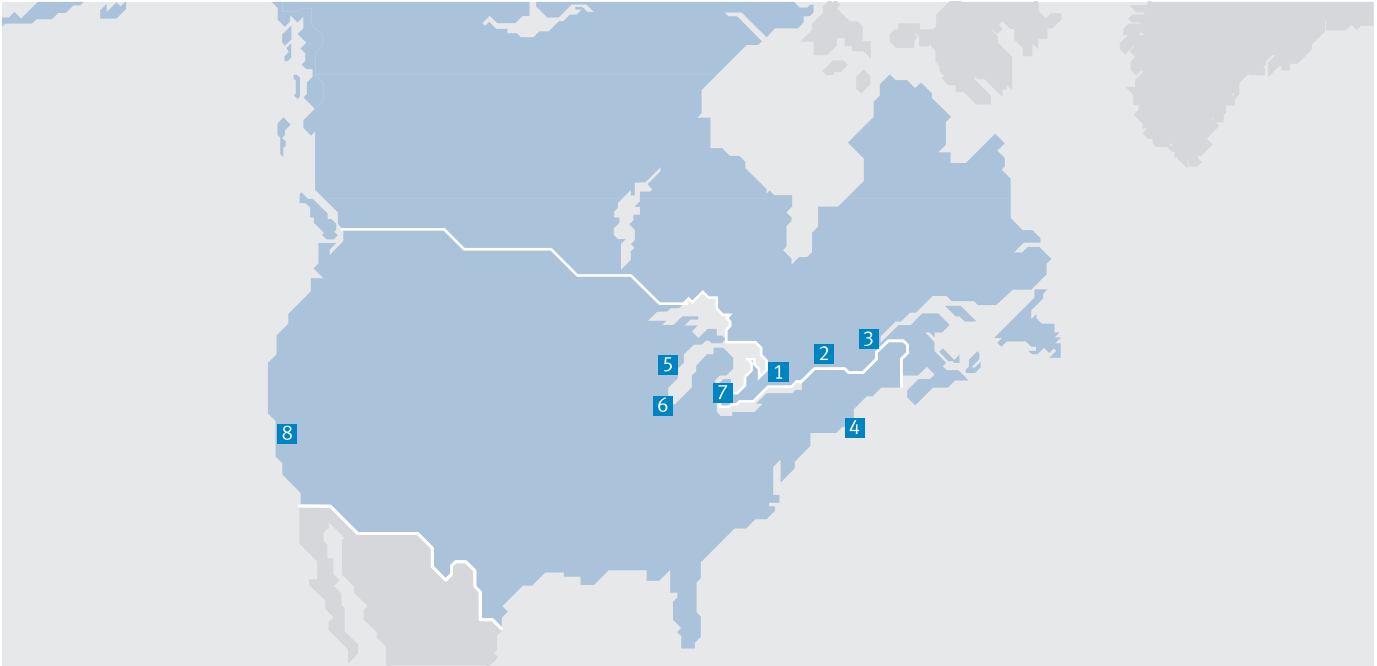


© Copyright 2013, Festo Corporation. While every effort is made to ensure that all dimensions and specifications are correct, Festo cannot guarantee that publications are completely free of any error, in particular typing or printing errors. Accordingly, Festo cannot be held responsible for the same. For Liability and Warranty conditions, refer to our "Terms and Conditions of Sale", available from your local Festo office. All rights reserved. No part of this publication may be reproduced, distributed, or transmitted in any form or by any means, electronic, mechanical, photocopying or otherwise, without the prior written permission of Festo. All technical data subject to change according to technical update.



Printed on recycled paper at New Horizon Graphic, Inc., FSC certified as an environmental friendly printing plant.

Festo North America



**1 Festo Canada
Headquarters
Festo Inc.**
5300 Explorer Drive
Mississauga, ON
L4W 5G4

2 Montréal
5600, Trans-Canada
Pointe-Claire, QC
H9R 1B6

3 Québec City
2930, rue Watt#117
Québec, QC
G1X 4G3



**4 Festo United States
Headquarters
Festo Corporation**
395 Moreland Road
Hauppauge, NY
11788

5 Appleton
North 922 Tower View Drive, Suite N
Greenville, WI
54942

7 Detroit
1441 West Long Lake Road
Troy, MI
48098

6 Chicago
85 W Algonquin - Suite 340
Arlington Heights, IL
60005

8 Silicon Valley
4935 Southfront Road, Suite F
Livermore, CA
94550

Festo Regional Contact Center

Canadian Customers

Commercial Support:
Tel: 1 877 GO FESTO (1 877 463 3786)
Fax: 1 877 FX FESTO (1 877 393 3786)
Email: festo.canada@ca.festo.com

Technical Support:
Tel: 1 866 GO FESTO (1 866 463 3786)
Fax: 1 877 FX FESTO (1 877 393 3786)
Email: technical.support@ca.festo.com

USA Customers

Commercial Support:
Tel: 1 800 99 FESTO (1 800 993 3786)
Fax: 1 800 96 FESTO (1 800 963 3786)
Email: customer.service@us.festo.com

Technical Support:
Tel: 1 866 GO FESTO (1 866 463 3786)
Fax: 1 800 96 FESTO (1 800 963 3786)
Email: product.support@us.festo.com