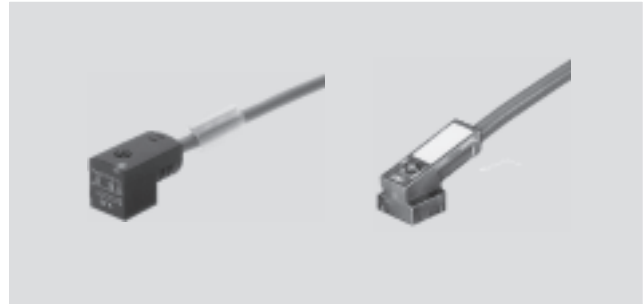


# Connecting cables NEBV, for valves

Technical data

## Connecting cable KMEB

- For valves with EB solenoid coil
- Pre-assembled
- Cable lengths 2.5 m, 5 m and 10 m
- 24 V DC:  
with LEDs and protective circuit
- Not suitable for energy chains
- KMEB-1 with PVC cable
- KMEB-2 with PUR cable
- KMEB-3 with PVC cable



General technical data				
Type	KMEB-1	KMEB-2	KMEB-2-24-M12	KMEB-3
Electrical connection	Angled socket	Angled socket	Angled socket	Angled socket
	3-pin	4-pin	5-pin	2-pin
	Type C	Type C	Type C	Type C
	To EN 175301-803	To EN 175301-803	To EN 175301-803	To EN 175301-803
Reverse polarity protection	–	–	–	For all electrical connections
Cable Ø [mm]	5.2	6.2	4.6	5.2
Cable composition	3 x 0.5 mm <sup>2</sup>	3 x 0.75 mm <sup>2</sup>	3 x 0.5 mm <sup>2</sup>	2 x 0.75 mm <sup>2</sup>
Protective earth connection	Yes	Yes	Yes	No
Type of mounting	M2.5 central screw	M2.5 central screw	M2.5 central screw	M2.5 central screw
Mounting position	Any	Any	Any	Any
Cable properties	–	–	–	Standard
Protection class to EN 60529	IP65 (assembled)	IP65 (assembled)	IP65 (assembled)	IP65 (assembled)

Materials				
Type	KMEB-1	KMEB-2	KMEB-2-24-M12	KMEB-3
Housing	PA	PA, POM	PA, POM	PC
Pin contact	Bronze	Bronze	Bronze	Silver-plated bronze
Cable sheath	PVC	PUR	TPE-U (PU)	PVC
Note on materials	–	RoHS-compliant	–	–

Operating and environmental conditions					
Type	KMEB-1-24	KMEB-1-230	KMEB-2	KMEB-2-24-M12	KMEB-3
Ambient temperature [°C]	–20 ... +80	–20 ... +80	–20 ... +80	–5 ... +50	–20 ... +80
CE mark (see declaration of conformity)	–	To EU Low Voltage Directive	–	–	To EU Low Voltage Directive

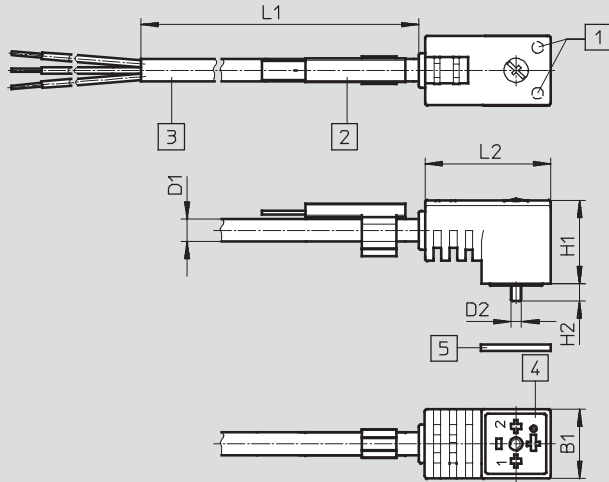
# Connecting cables NEBV, for valves

Technical data

## Dimensions

Download CAD Data → [www.festo.com/us/cad](http://www.festo.com/us/cad)

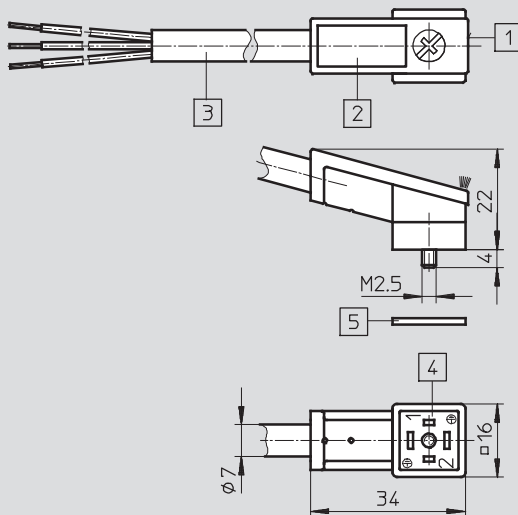
### KMEB-1



- 1 LED illuminated area (only with 24 V)
- 2 Inscription label holder ASCF with label ASLR-L-432 (scope of delivery)
- 3 3-wire cable (3x 0.5 mm<sup>2</sup>)
- 4 Plug pattern to EN 175301-803, type C
- 5 Seal

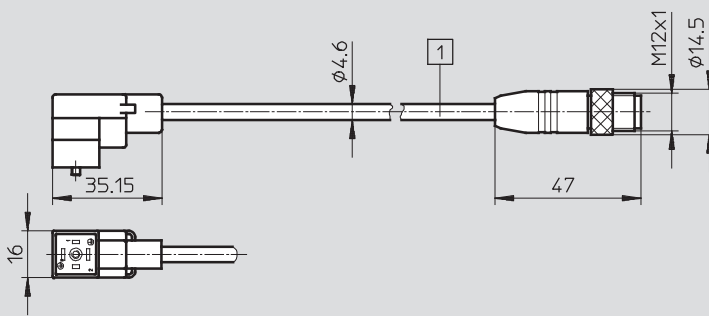
Type	D1	D2	L1	L2	H1	H2	B1
KMEB-1-...-2,5	5.2	2.5	2,500	29.1	19.3	4	16
KMEB-1-...-5	5.2	2.5	5,000	29.1	19.3	4	16
KMEB-1-...-10	5.2	2.5	10,000	29.1	19.3	4	16

### KMEB-2



- 1 LED illuminated area (integrated)
- 2 Inscription label
- 3 3-wire cable 2.5 m or 5 m (3x 0.75 mm<sup>2</sup>)
- 4 Connections to EN 175301-803, type C
- 5 Seal

### KMEB-2-24-M12



- 1 3-wire cable 0.5 m (3x 0.5 mm<sup>2</sup>)

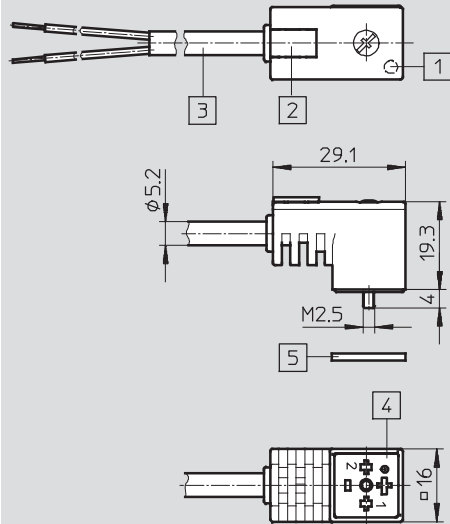
# Connecting cables NEBV, for valves

Technical data

## Dimensions

Download CAD Data → [www.festo.com/us/cad](http://www.festo.com/us/cad)

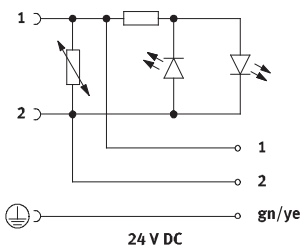
KMEB-3



- 1 LED illuminated area
- 2 Location for inscription label
- 3 2-wire cable
- 4 Connections to EN 175301-803, type C
- 5 Seal

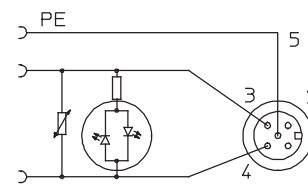
## Circuitry

KMEB-1/KMEB-3 with integrated signal status display

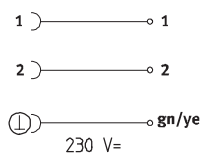


The 24 V DC version is reverse polarity protected and has a protective circuit for peak voltages of up to 100 V DC as well as an operating status indicator with yellow LED. (No gn/ye connection with KMEB-3.)

KMEB-2-24-M12

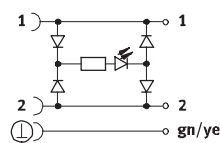


KMEB-1/KMEB-3 without integrated signal status display



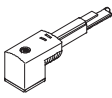
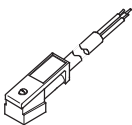
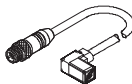
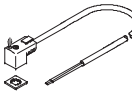
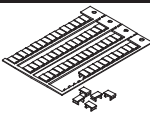
For KMEB-3  
 – No gn/ye connection  
 – Operating voltage 24 V DC

KMEB-2



# Connecting cables NEBV, for valves

Technical data

Ordering data							
	Signal status display	Cable sheath material	Operating voltage [V]	Cable length [m]	Weight [g]	Part No.	Type
<b>KMEB-1</b>							
	LED	PVC	24 DC	2.5	125	<b>151688</b>	<b>KMEB-1-24-2,5-LED</b>
				5	230	<b>151689</b>	<b>KMEB-1-24-5-LED</b>
				10	460	<b>193457</b>	<b>KMEB-1-24-10-LED</b>
	-	PVC	230 AC	2.5	125	<b>151690</b>	<b>KMEB-1-230AC-2,5</b>
				5	230	<b>151691</b>	<b>KMEB-1-230AC-5</b>
<b>KMEB-2</b>							
	LED	PUR	24 DC	2.5	200	<b>174844</b>	<b>KMEB-2-24-2,5-LED</b>
				5	400	<b>174845</b>	<b>KMEB-2-24-5-LED</b>
	-	PUR	230 AC	2.5	200	<b>174846</b>	<b>KMEB-2-230-2,5</b>
				5	400	<b>174847</b>	<b>KMEB-2-230-5</b>
<b>KMEB-2-24-M12</b>							
	LED	TPE-U (PU)	24 DC	0.5	54	<b>177677</b>	<b>KMEB-2-24-M12-0,5-LED</b>
<b>KMEB-3</b>							
	LED	PVC	24 DC	2.5	120	<b>547268</b>	<b>KMEB-3-24-2,5-LED</b>
				5	230	<b>547269</b>	<b>KMEB-3-24-5-LED</b>
	-	PVC	24 DC	2.5	120	<b>547270</b>	<b>KMEB-3-24-2,5</b>
				5	230	<b>547271</b>	<b>KMEB-3-24-5</b>
<b>Ordering data – Accessories</b>							
	Description	Use	Part No.	Type			
	Inscription labels 6x10 mm, 64 pieces, in frames	KMEB-3	<b>18576</b>	<b>IBS-6x10</b>			
	Inscription labels 9x20 mm, 20 pieces, in frames	KMEB-2	<b>18182</b>	<b>IBS-9x20</b>			

# Product Range and Company Overview

## A Complete Suite of Automation Services

Our experienced engineers provide complete support at every stage of your development process, including: conceptualization, analysis, engineering, design, assembly, documentation, validation, and production.



**Custom Automation Components**  
Complete custom engineered solutions



**Custom Control Cabinets**  
Comprehensive engineering support and on-site services



**Complete Systems**  
Shipment, stocking and storage services

## The Broadest Range of Automation Components

With a comprehensive line of more than 30,000 automation components, Festo is capable of solving the most complex automation requirements.



**Electromechanical**  
Electromechanical actuators, motors, controllers & drives



**Pneumatics**  
Pneumatic linear and rotary actuators, valves, and air supply



**PLCs and I/O Devices**  
PLC's, operator interfaces, sensors and I/O devices

## Supporting Advanced Automation... As No One Else Can!

Festo is a leading global manufacturer of pneumatic and electromechanical systems, components and controls for industrial automation, with more than 12,000 employees in 56 national headquarters serving more than 180 countries. For more than 80 years, Festo has continuously elevated the state of manufacturing with innovations and optimized motion control solutions that deliver higher performing, more profitable automated manufacturing and processing equipment. Our dedication to the advancement of automation extends beyond technology to the education and development of current and future automation and robotics designers with simulation tools, teaching programs, and on-site services.

## Quality Assurance, ISO 9001 and ISO 14001 Certifications

Festo Corporation is committed to supply all Festo products and services that will meet or exceed our customers' requirements in product quality, delivery, customer service and satisfaction.

To meet this commitment, we strive to ensure a consistent, integrated, and systematic approach to management that will meet or exceed the requirements of the ISO 9001 standard for Quality Management and the ISO 14001 standard for Environmental Management.



© Copyright 2008, Festo Corporation. While every effort is made to ensure that all dimensions and specifications are correct, Festo cannot guarantee that publications are completely free of any error, in particular typing or printing errors. Accordingly, Festo cannot be held responsible for the same. For Liability and Warranty conditions, refer to our "Terms and Conditions of Sale", available from your local Festo office. All rights reserved. No part of this publication may be reproduced, distributed, or transmitted in any form or by any means, electronic, mechanical, photocopying or otherwise, without the prior written permission of Festo. All technical data subject to change according to technical update.



Printed on recycled paper at New Horizon Graphic, Inc., FSC certified as an environmentally friendly printing plant.

# Festo North America

## Festo Regional Contact Center

5300 Explorer Drive  
Mississauga, Ontario L4W 5G4  
Canada

### USA Customers:

For ordering assistance,

**Call:** 1.800.99.FESTO (1.800.993.3786)

**Fax:** 1.800.96.FESTO (1.800.963.3786)

**Email:** [customer.service@us.festo.com](mailto:customer.service@us.festo.com)

For technical support,

**Call:** 1.866.GO.FESTO (1.866.463.3786)

**Fax:** 1.800.96.FESTO (1.800.963.3786)

**Email:** [product.support@us.festo.com](mailto:product.support@us.festo.com)

### Canadian Customers:

**Call:** 1.877.GO.FESTO (1.877.463.3786)

**Fax:** 1.877.FX.FESTO (1.877.393.3786)

**Email:** [festo.canada@ca.festo.com](mailto:festo.canada@ca.festo.com)

---

## USA Headquarters

Festo Corporation  
395 Moreland Road  
P.O. Box 18023  
Hauppauge, NY 11788, USA  
[www.festo.com/us](http://www.festo.com/us)

---

## USA Sales Offices

### Appleton

North 922 Tower View Drive, Suite N  
Greenville, WI 54942, USA

### Boston

120 Presidential Way, Suite 330  
Woburn, MA 01801, USA

### Chicago

1441 East Business Center Drive  
Mt. Prospect, IL 60056, USA

### Dallas

1825 Lakeway Drive, Suite 600  
Lewisville, TX 75057, USA

### Detroit – Automotive Engineering Center

2601 Cambridge Court, Suite 320  
Auburn Hills, MI 48326, USA

### New York

395 Moreland Road  
Hauppauge, NY 11788, USA

### Silicon Valley

4935 Southfront Road, Suite F  
Livermore, CA 94550, USA

## United States



**USA Headquarters, East:** Festo Corp., 395 Moreland Road, Hauppauge, NY 11788

Phone: 1.631.435.0800; Fax: 1.631.435.8026;

Email: [info@festo-usa.com](mailto:info@festo-usa.com)

[www.festo.com/us](http://www.festo.com/us)

## Canada



**Headquarters:** Festo Inc., 5300 Explorer Drive, Mississauga, Ontario L4W 5G4

Phone: 1.905.624.9000; Fax: 1.905.624.9001;

Email: [festo.canada@ca.festo.com](mailto:festo.canada@ca.festo.com)

[www.festo.ca](http://www.festo.ca)

## Mexico



**Headquarters:** Festo Pneumatic, S.A., Av. Ceylán 3, Col. Tequesquahuac,  
54020 Tlalneantla, Edo. de México

Phone: 011 52 [55] 53 21 66 00; Fax: 011 52 [55] 53 21 66 65;

Email: [festo.mexico@mx.festo.com](mailto:festo.mexico@mx.festo.com)

[www.festo.com/mx](http://www.festo.com/mx)

---

## Central USA

Festo Corporation  
1441 East Business  
Center Drive  
Mt. Prospect, IL 60056, USA  
Phone: 1.847.759.2600  
Fax: 1.847.768.9480



## Western USA

Festo Corporation  
4935 Southfront Road,  
Suite F  
Livermore, CA 94550, USA  
Phone: 1.925.371.1099  
Fax: 1.925.245.1286



---

## Festo Worldwide

Argentina Australia Austria Belarus Belgium Brazil Bulgaria Canada Chile China Colombia Croatia Czech Republic Denmark  
Estonia Finland France Germany Great Britain Greece Hong Kong Hungary India Indonesia Iran Ireland Israel Italy Japan Latvia  
Lithuania Malaysia Mexico Netherlands New Zealand Norway Peru Philippines Poland Romania Russia Serbia Singapore  
Slovakia Slovenia South Africa South Korea Spain Sweden Switzerland Taiwan Thailand Turkey Ukraine United States Venezuela

[www.festo.com](http://www.festo.com)