

## Angle grippers HGWM, micro

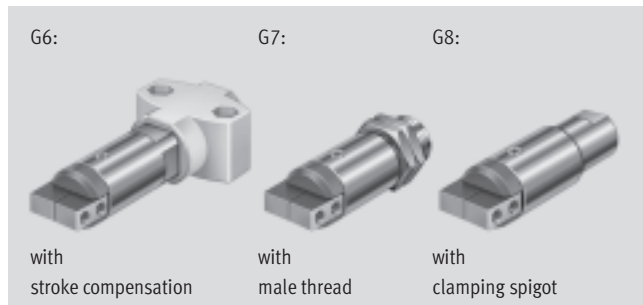
**FESTO**



# Angle grippers HGWM, micro


Key features

FESTO



## At a glance

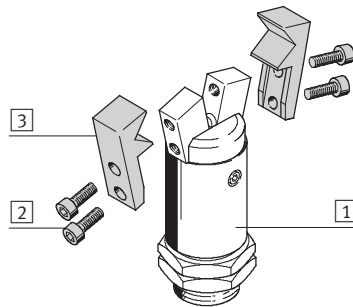
- Compact, handy design
- With open or closed gripper jaws
- Versatility thanks to externally adaptable gripper fingers
- Wide range of options for attaching drive units
- With stroke compensation after installation
- Mounting options:
  - Clamping spigot
  - Male thread

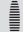
-  - Note

Sizing software  
Gripper selection  
➔ [www.festo.com](http://www.festo.com)

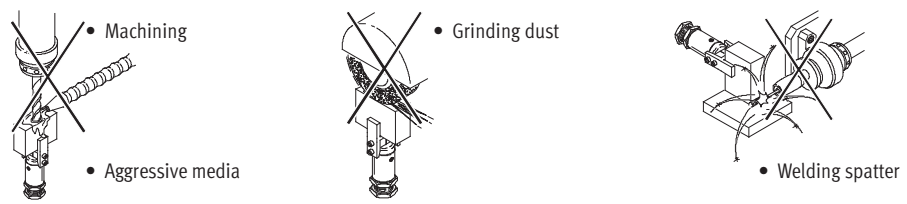
## Mounting options for external gripper fingers (customer-specific)

- 1 Angle gripper
- 2 External gripper fingers
- 3 Mounting screws



-  - Note

Grippers are not suitable for the following, or for similar applications:

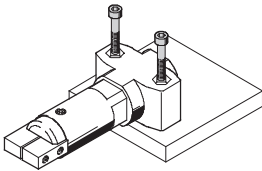


# Angle grippers HGWM, micro

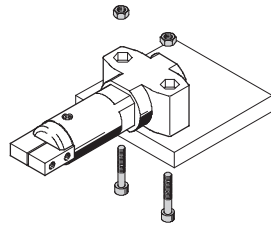
Key features

## Mounting options

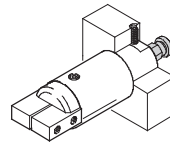
With through-holes



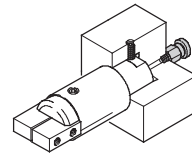
With through-holes, screws and retaining nuts



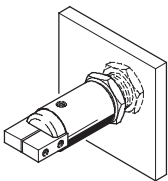
With set screw  
Direct air supply



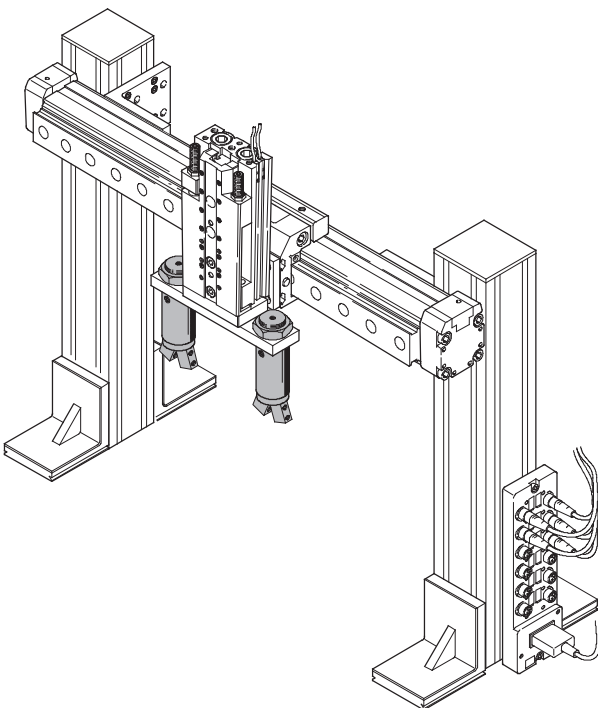
Integrated air supply



With male thread and lock nut



## System product for handling and assembly technology



	→ Page/Internet
Drives	drive
Grippers	gripper
Adapters	adapter kit
Basic mounting components	basic component
Installation components	installation component
Axes	axes
Motors	motor

# Angle grippers HGWM, micro

Type codes

HGWM – 12 – EO – G8

**Type**

HGWM	Angle gripper
------	---------------

**Size**

**Gripper jaw position**

EO	Open
EZ	Closed

**Mounting options**

G6	With stroke compensation
G7	With male thread
G8	With clamping spigot

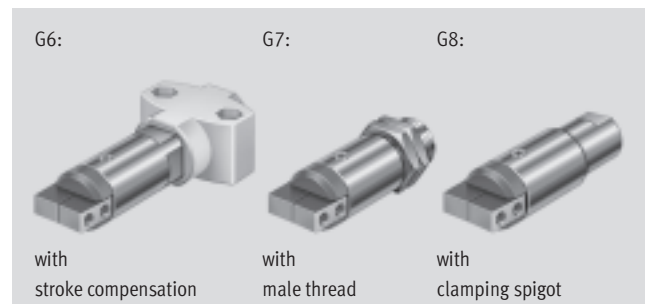
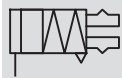
# Angle grippers HGWM, micro

## Technical data

Function -N- Size  
 Single-acting 8 ... 12 mm  
 with open gripper jaws  
 HGWM-...-EO-G...



with closed gripper jaws  
 HGWM-...-EZ-G...



General technical data					
Size	8		12		
Constructional design	Wedge-shaped drive				
Mode of operation	Single-acting				
Gripper function	Angle				
Number of gripper jaws	2				
Opening angle ( $\pm 2^\circ$ )	Gripper jaws open	Open	[°]	20	18.5
		Closed	[°]	4	3.5
	Gripper jaws closed	Open	[°]	14	14
		Closed	[°]	4	4
Spring resetting torque <sup>1)</sup>	Gripper jaws open	[Ncm]	0.5	1.3	
	Gripper jaws closed	[Ncm]	0.55	1.5	
Pneumatic connection	M3				
Repetition accuracy <sup>2) 3)</sup>	[mm]	< 0.02			
Max. operating frequency	[Hz]	4			
Position sensing	Without				
Type of mounting	HGWM-...-E...-G6	With internally threaded cap screws			
	HGWM-...-E...-G7	With lock nut			
	HGWM-...-E...-G8	Clamped			

- 1) Spring resetting force between the gripper jaws
- 2) End position drift under constant conditions of use with 100 consecutive strokes in the direction of movement of the gripper jaws
- 3) The indicated values are only valid when gripping with compressed air, not with spring force

Operating and environmental conditions		
Min. operating pressure	[bar]	2
Max. operating pressure	[bar]	8
Operating medium	Compressed air in accordance with ISO 8573-1:2010 [7:-:-]	
Ambient temperature	[°C]	+5 ... +60
Corrosion resistance class CRC <sup>1)</sup>	2	

- 1) Corrosion resistance class 2 according to Festo standard 940 070  
 Components requiring moderate corrosion resistance. Externally visible parts with primarily decorative surface requirements which are in direct contact with a normal industrial environment or media such as coolants or lubricating agents

Weights [g]		
Size	8	12
With stroke compensation	23	75
With male thread	14	52
With clamping spigot	13	45

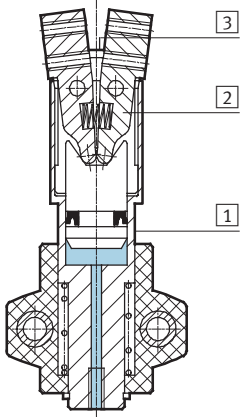
# Angle grippers HGWM, micro

Technical data

FESTO

## Materials

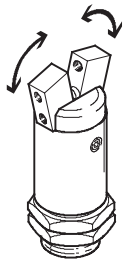
Sectional view



### Angle gripper

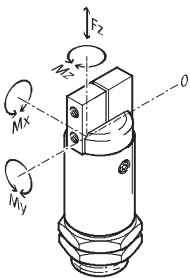
1	Body	Stainless steel
2	Gripper jaw	Stainless steel
3	Cover cap	Polyacetate
-	Note on materials	Copper, PTFE and silicone-free
		Conforms to RoHS

## Total gripping torque [Ncm] at 6 bar



Size	8		12	
	HGWM-...EO-...	HGWM-...EZ-...	HGWM-...EO-...	HGWM-...EZ-...
Total gripping torque				
Opening	-	24	-	76
Closing	22	-	64	-

## Characteristic load values at the gripper jaws



The indicated permissible forces and torques apply to a single gripper jaw. Static forces and torques relate to additional applied loads caused by

the workpiece or external gripper fingers, as well as forces which occur during handling. The zero co-ordinate

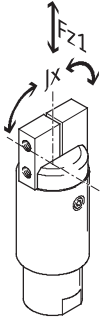
line (gripper jaws point of rotation) must be taken into consideration for the calculation of torques.

Size		8	12
Max. permissible force $F_z$	[N]	7	20
Max. permissible torque $M_x$	[Ncm]	20	40
Max. permissible torque $M_y$	[Ncm]	20	40
Max. permissible torque $M_z$	[Ncm]	20	40

# Angle grippers HGWM, micro

Technical data

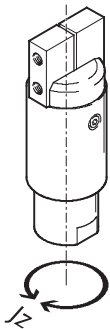
## Applied load [N] and mass moment of inertia [ $\text{kgm}^2 \times 10^{-4}$ ] per external gripper finger



Size	8	12
Applied load $F_{z1}^{1)}$	< 0.04	< 0.1
Mass moment of inertia $J_x^{1)}$	< 0.025	< 0.056

1) Valid for unthrottled operation

## Mass moment of inertia [ $\text{kgm}^2 \times 10^{-4}$ ]

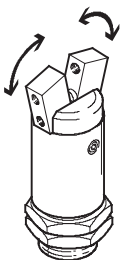


Mass moment of inertia [ $\text{kgm}^2 \times 10^{-4}$ ] for angle grippers in relation to the central axis without external gripper fingers.

Size	8	12
With stroke compensation	0.00705	0.0421
With male thread	0.00315	0.0267
With clamping spigot	0.00252	0.02154

## Opening and closing times [ms] at 6 bar

Without external gripper fingers



The indicated opening and closing times [ms] have been measured at room temperature and 6 bar operating pressure with vertically

mounted gripper and without external gripper fingers. Load is increased if external gripper fingers are attached. This means that kinetic energy is also

increased, as this is determined by gripper finger mass moment of inertia and angular velocity.

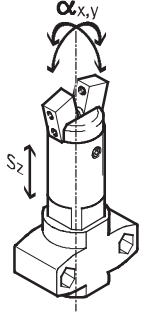
Size		8	12
HGWM-...EO-...	Opening	2.7	3.7
	Closing	1.2	1.8
HGWM-...EZ-...	Opening	1	1.7
	Closing	2.5	2.8

# Angle grippers HGWM, micro

Technical data

## Gripper jaw backlash

Without external gripper fingers

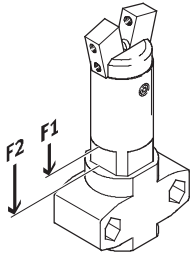


With angle grippers, backlash occurs between the gripper jaws and the guide element due to the plain-bearing guide. The backlash values listed in the table have been

calculated based upon the traditional accumulative tolerance method and usually do not occur with mounted grippers.

Size	8	12
Gripper jaw backlash $s_z$ [mm]	< 0.03	
Gripper jaw angular backlash $\alpha_x, \alpha_y$ [°]	< 0.5	

## Spring displacement forces [N]



Theoretical actuating force due to stroke compensation for design variant with stroke compensation.

Size	8	12
Spring displacement forces $F_1$	4	10
Spring displacement forces $F_2$	6	23



# Angle grippers HGWM, micro

Technical data

FESTO

## Application example



# Angle grippers HGWM, micro

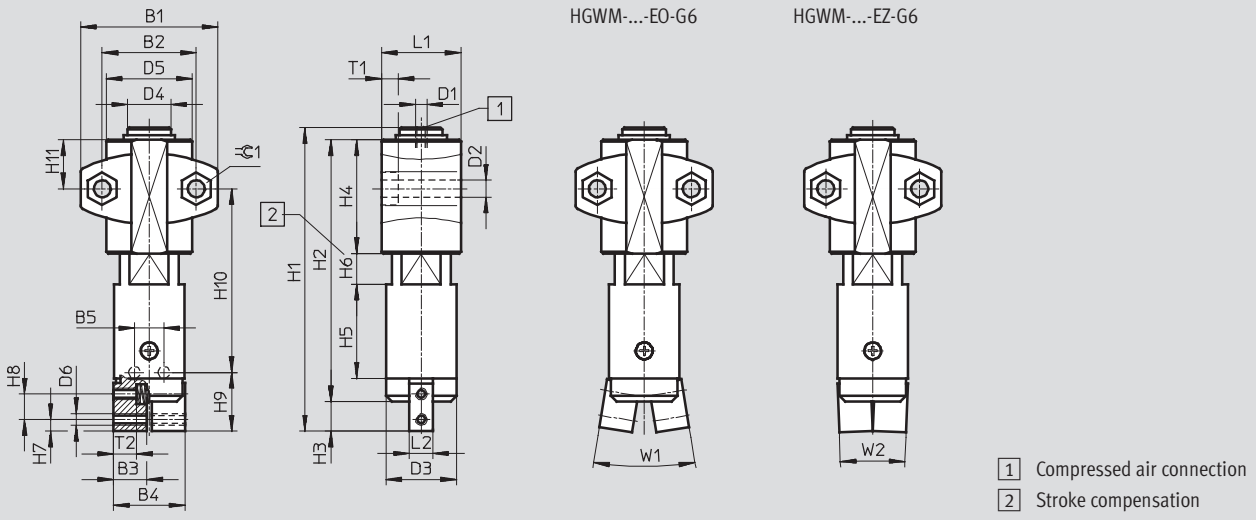
Technical data

FESTO

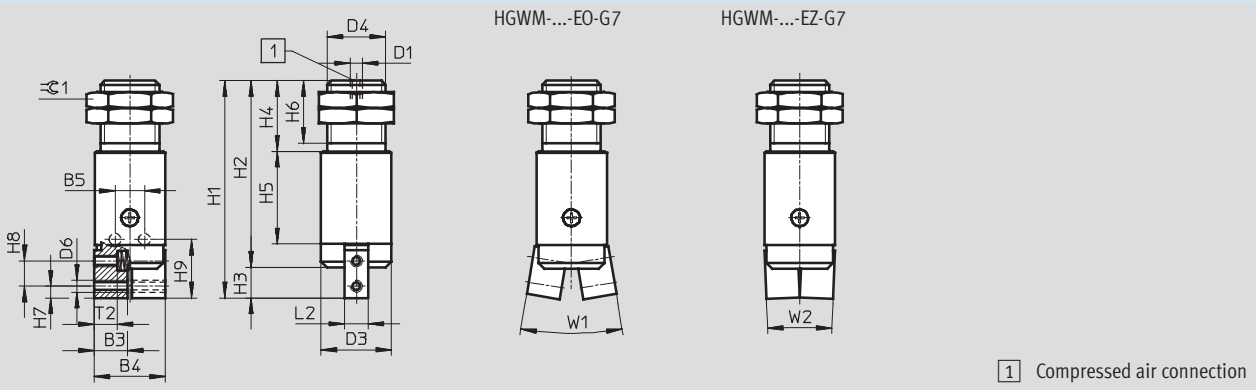
## Dimensions

Download CAD Data → [www.festo.com/us/cad](http://www.festo.com/us/cad)

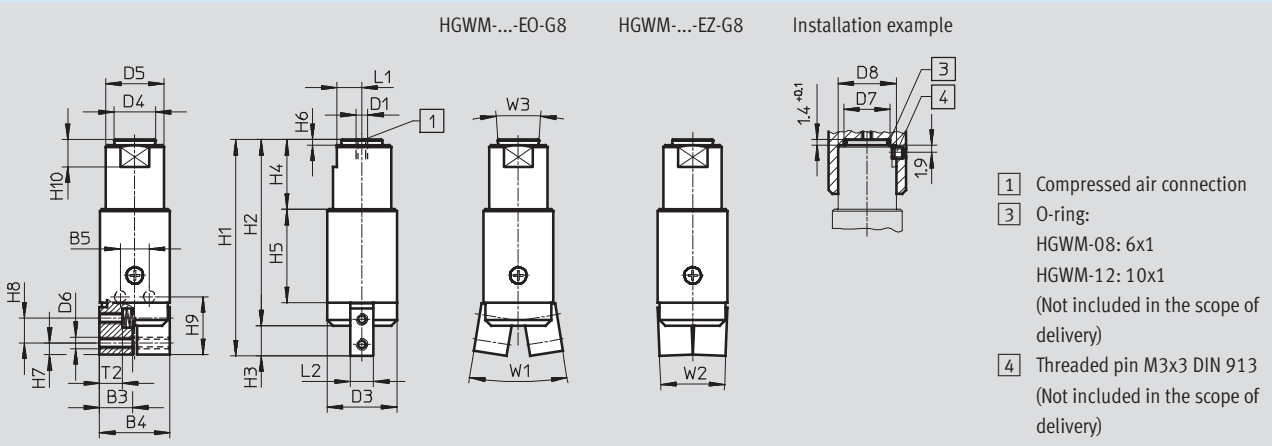
With stroke compensation – HGWM-...-E...-G6



With male thread – HGWM-...-E...-G7



With clamping spigot – HGWM-...-E...-G8



# Angle grippers HGWM, micro

Technical data

FESTO

Type	B1 ±0.1	B2 ±0.25	B3	B4 ±0.3	B5	D1	D2 ∅ +0.1	D3 ∅ +0.1	D4 ∅	D5 ∅	D6
HGWM-08-EO-G6	24	15	5.5	11.8	5 ±0.02	M3	3.4	12	8 -0.02/-0.05	15 ±0.5	M2
HGWM-08-EZ-G6											
HGWM-12-EO-G6	35	24	8.5	18.2	7.5 -0.05	M3	4.5	18	11 -0.02/-0.05	22 ±0.5	M3
HGWM-12-EZ-G6											
HGWM-08-EO-G7	-	-	5.5	11.8	5 ±0.02	M3	-	12	M10x1	-	M2
HGWM-08-EZ-G7											
HGWM-12-EO-G7	-	-	8.5	18.2	7.5 -0.05	M3	-	18	M15x1.5	-	M3
HGWM-12-EZ-G7											
HGWM-08-EO-G8	-	-	5.5	11.8	5 ±0.02	M3	-	12	6.6 -0.03	10 h8	M2
HGWM-08-EZ-G8											
HGWM-12-EO-G8	-	-	8.5	18.2	7.5 -0.05	M3	-	18	10.6 -0.03	15 h8	M3
HGWM-12-EZ-G8											

Type	D7 ∅ +0.1	D8 +0.1	H1 +0.25	H2	H3	H4	H5 +0.1	H6	H7	H8	H9 +0.1
HGWM-08-EO-G6	-	-	54	47 ±0.3	5 ±0.2	22-0.3	16	0 ... 5 +0.6/-0.3	2	4.3	10
HGWM-08-EZ-G6											
HGWM-12-EO-G6	-	-	77.5	67 ±0.3	7.5	29-0.3	24	0 ... 8 +0.6/-0.3	3	6.5	15
HGWM-12-EZ-G6											
HGWM-08-EO-G7	-	-	37	32 +0.3/-0.2	5 ±0.2	12	16	11	2	4.3	10
HGWM-08-EZ-G7											
HGWM-12-EO-G7	-	-	55.5	48 +0.3/-0.2	7.5	18	24	16	3	6.5	15
HGWM-12-EZ-G7											
HGWM-08-EO-G8	8	10	37	32 +0.3/-0.2	5 ±0.2	12	16	1.4 -0.1	2	4.3	10
HGWM-08-EZ-G8											
HGWM-12-EO-G8	12	15	55.5	48 +0.3/-0.2	7.5	18	24	1.4 -0.1	3	6.5	15
HGWM-12-EZ-G8											

Type	H10	H11 ±0.3	L1	L2 -0.02	T1 -0.2	T2 <sup>1)</sup>	W1 ±2°	W2 ±2°	W3 ±2°	≙C1
HGWM-08-EO-G6	32.4 ±0.6	9.5	14.2 -0.2	4	3	3.4 ±0.2	20°	4°	-	5.7
HGWM-08-EZ-G6						-	14°			
HGWM-12-EO-G6	47 ±0.6	12.5	20.2 -0.2	6	4	5.9	18.5°	3.5°	-	7.5
HGWM-12-EZ-G6						-	14°	4°		
HGWM-08-EO-G7	-	-	-	4	-	3.4 ±0.2	20°	4°	-	12
HGWM-08-EZ-G7						-	14°			
HGWM-12-EO-G7	-	-	-	6	-	5.9	18.5°	3.5°	-	19
HGWM-12-EZ-G7						-	14°	4°		
HGWM-08-EO-G8	5	-	4.5 -0.05	4	-	3.4 ±0.2	20°	4°	8°	-
HGWM-08-EZ-G8						-	14°			
HGWM-12-EO-G8	7	-	6.5 -0.05	6	-	5.9	18.5°	3.5°	8°	-
HGWM-12-EZ-G8						-	14°	4°		


1) Do not exceed max. thread screw-in depth

# Angle grippers HGWM, micro

Technical data and accessories

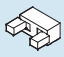
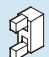
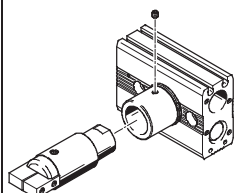
**FESTO**

Ordering data							
Single-acting	Size [mm]	Mounting options					
		With stroke compensation		With male thread		With clamping spigot	
		Part No.	Type	Part No.	Type	Part No.	Type
Gripper jaws open	8	185 693	HGWM-08-EO-G6	185 694	HGWM-08-EO-G7	185 695	HGWM-08-EO-G8
	12	185 699	HGWM-12-EO-G6	185 700	HGWM-12-EO-G7	185 701	HGWM-12-EO-G8
Gripper jaws closed	8	185 696	HGWM-08-EZ-G6	185 697	HGWM-08-EZ-G7	185 698	HGWM-08-EZ-G8
	12	185 702	HGWM-12-EZ-G6	185 703	HGWM-12-EZ-G7	185 704	HGWM-12-EZ-G8


Accessories	
For angle grippers with clamping flange	
Adapter kits A08 and A12	
	In combination with semi-rotary drives DRQD-6 to 12 → Internet: drqd Adapter kits for drive/gripper combinations → Internet: adapter kit

# Angle grippers HGWM, micro

Accessories

Permissible drive/gripper combinations with adapter kit					Download CAD data → <a href="http://www.festo.com">www.festo.com</a>		
Combination	Drive Size	Gripper Size	Mounting option		Semi-rotary drive <sup>2)</sup> CRC <sup>1)</sup>	Part No.	Type
							
DRQD/HGWM	DRQD	HGWM					
	6, 8, 12	8	■	■	2	187431	DRQD-6-...-A08-HS
						187432	DRQD-8-...-A08-HS
						187433	DRQD-12-...-A08-HS
	6, 8, 12	12	■	■		187431	DRQD-6-...-A12-HS
						187432	DRQD-8-...-A12-HS
						187433	DRQD-12-...-A12-HS

1) Corrosion resistance class 2 according to Festo standard 940 070  
Components subject to moderate corrosion stress. Externally visible parts with primarily decorative surface requirements which are in direct contact with a normal industrial environment or media such as coolants or lubricating agents.

 Note

2) Semi-rotary drives DRQD are ordered using the modular product system with the corresponding adapter kit (code A...) and hollow bolt (code HS).

The kit includes the individual mounting interface as well as the necessary mounting material.

# Product Range and Company Overview

## A Complete Suite of Automation Services

Our experienced engineers provide complete support at every stage of your development process, including: conceptualization, analysis, engineering, design, assembly, documentation, validation, and production.



**Custom Automation Components**  
Complete custom engineered solutions



**Custom Control Cabinets**  
Comprehensive engineering support and on-site services



**Complete Systems**  
Shipment, stocking and storage services

## The Broadest Range of Automation Components

With a comprehensive line of more than 30,000 automation components, Festo is capable of solving the most complex automation requirements.



**Electromechanical**  
Electromechanical actuators, motors, controllers & drives



**Pneumatics**  
Pneumatic linear and rotary actuators, valves, and air supply



**PLCs and I/O Devices**  
PLC's, operator interfaces, sensors and I/O devices

## Supporting Advanced Automation... As No One Else Can!

Festo is a leading global manufacturer of pneumatic and electromechanical systems, components and controls for industrial automation, with more than 12,000 employees in 56 national headquarters serving more than 180 countries. For more than 80 years, Festo has continuously elevated the state of manufacturing with innovations and optimized motion control solutions that deliver higher performing, more profitable automated manufacturing and processing equipment. Our dedication to the advancement of automation extends beyond technology to the education and development of current and future automation and robotics designers with simulation tools, teaching programs, and on-site services.

## Quality Assurance, ISO 9001 and ISO 14001 Certifications

Festo Corporation is committed to supply all Festo products and services that will meet or exceed our customers' requirements in product quality, delivery, customer service and satisfaction.

To meet this commitment, we strive to ensure a consistent, integrated, and systematic approach to management that will meet or exceed the requirements of the ISO 9001 standard for Quality Management and the ISO 14001 standard for Environmental Management.



© Copyright 2008, Festo Corporation. While every effort is made to ensure that all dimensions and specifications are correct, Festo cannot guarantee that publications are completely free of any error, in particular typing or printing errors. Accordingly, Festo cannot be held responsible for the same. For Liability and Warranty conditions, refer to our "Terms and Conditions of Sale", available from your local Festo office. All rights reserved. No part of this publication may be reproduced, distributed, or transmitted in any form or by any means, electronic, mechanical, photocopying or otherwise, without the prior written permission of Festo. All technical data subject to change according to technical update.



Printed on recycled paper at New Horizon Graphic, Inc., FSC certified as an environmentally friendly printing plant.

# Festo North America

## Festo Regional Contact Center

5300 Explorer Drive  
Mississauga, Ontario L4W 5G4  
Canada

### USA Customers:

For ordering assistance,

**Call:** 1.800.99.FESTO (1.800.993.3786)

**Fax:** 1.800.96.FESTO (1.800.963.3786)

**Email:** [customer.service@us.festo.com](mailto:customer.service@us.festo.com)

For technical support,

**Call:** 1.866.GO.FESTO (1.866.463.3786)

**Fax:** 1.800.96.FESTO (1.800.963.3786)

**Email:** [product.support@us.festo.com](mailto:product.support@us.festo.com)

### Canadian Customers:

**Call:** 1.877.GO.FESTO (1.877.463.3786)

**Fax:** 1.877.FX.FESTO (1.877.393.3786)

**Email:** [festo.canada@ca.festo.com](mailto:festo.canada@ca.festo.com)

---

## USA Headquarters

Festo Corporation  
395 Moreland Road  
P.O. Box 18023  
Hauppauge, NY 11788, USA  
[www.festo.com/us](http://www.festo.com/us)

---

## USA Sales Offices

### Appleton

North 922 Tower View Drive, Suite N  
Greenville, WI 54942, USA

### Boston

120 Presidential Way, Suite 330  
Woburn, MA 01801, USA

### Chicago

1441 East Business Center Drive  
Mt. Prospect, IL 60056, USA

### Dallas

1825 Lakeway Drive, Suite 600  
Lewisville, TX 75057, USA

### Detroit – Automotive Engineering Center

2601 Cambridge Court, Suite 320  
Auburn Hills, MI 48326, USA

### New York

395 Moreland Road  
Hauppauge, NY 11788, USA

### Silicon Valley

4935 Southfront Road, Suite F  
Livermore, CA 94550, USA

## United States



**USA Headquarters, East:** Festo Corp., 395 Moreland Road, Hauppauge, NY 11788

Phone: 1.631.435.0800; Fax: 1.631.435.8026;

Email: [info@festo-usa.com](mailto:info@festo-usa.com)

[www.festo.com/us](http://www.festo.com/us)

## Canada



**Headquarters:** Festo Inc., 5300 Explorer Drive, Mississauga, Ontario L4W 5G4

Phone: 1.905.624.9000; Fax: 1.905.624.9001;

Email: [festo.canada@ca.festo.com](mailto:festo.canada@ca.festo.com)

[www.festo.ca](http://www.festo.ca)

## Mexico



**Headquarters:** Festo Pneumatic, S.A., Av. Ceylán 3, Col. Tequesquahuac,  
54020 Tlalneantla, Edo. de México

Phone: 011 52 [55] 53 21 66 00; Fax: 011 52 [55] 53 21 66 65;

Email: [festo.mexico@mx.festo.com](mailto:festo.mexico@mx.festo.com)

[www.festo.com/mx](http://www.festo.com/mx)

---

## Central USA

Festo Corporation  
1441 East Business  
Center Drive  
Mt. Prospect, IL 60056, USA  
Phone: 1.847.759.2600  
Fax: 1.847.768.9480



## Western USA

Festo Corporation  
4935 Southfront Road,  
Suite F  
Livermore, CA 94550, USA  
Phone: 1.925.371.1099  
Fax: 1.925.245.1286



---

## Festo Worldwide

Argentina Australia Austria Belarus Belgium Brazil Bulgaria Canada Chile China Colombia Croatia Czech Republic Denmark  
Estonia Finland France Germany Great Britain Greece Hong Kong Hungary India Indonesia Iran Ireland Israel Italy Japan Latvia  
Lithuania Malaysia Mexico Netherlands New Zealand Norway Peru Philippines Poland Romania Russia Serbia Singapore  
Slovakia Slovenia South Africa South Korea Spain Sweden Switzerland Taiwan Thailand Turkey Ukraine United States Venezuela

[www.festo.com](http://www.festo.com)