

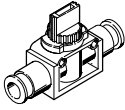
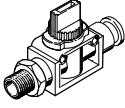
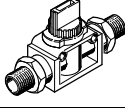
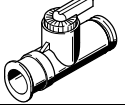
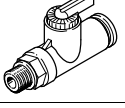
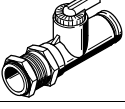
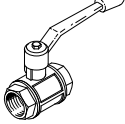
Ball valves and shut-off valves



Ball valves and shut-off valves

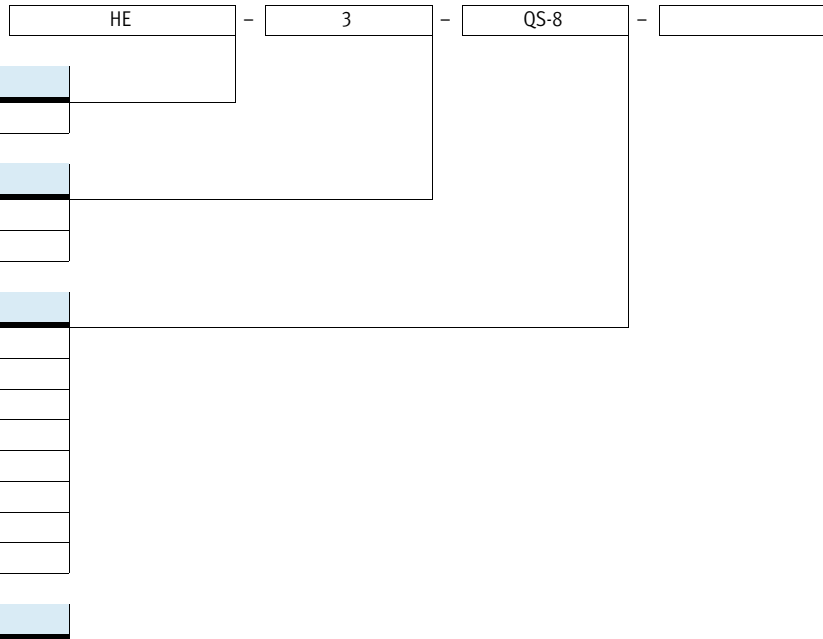
Product range overview

FESTO

Function	Design	Type	Pneumatic connection		Valve function		qnN [l/min]	→ Page/ Internet
			1	2	2/2-way valve	3/2-way valve		
Shut-off valves	Push-in connector at both ends							
		HE	QS-6	QS-6	■	■	278 ... 279	4
			QS-8	QS-8			388 ... 390	
			QS-10	QS-10			761 ... 780	
			QS-12	QS-12			831 ... 840	
	Male thread/push-in connector							
		HE	R1/8	QS-6	■	■	301 ... 307	4
			R1/4	QS-8			380 ... 396	
			R3/8	QS-10			728 ... 733	
			R1/2	QS-12			776 ... 796	
	Male thread at both ends							
		HE	R1/8	R1/8	-	■	301	4
R1/4			R1/4	380				
R3/8			R3/8	733				
Ball valves	Push-in connector at both ends							
		QH	QS-4	QS-4	■	-	148	8
			QS-6	QS-6			533	
	Male thread/push-in connector							
		QH	R1/8	QS-4	■	-	235	8
				QS-6			560	
	Bulkhead fitting, push-in connector at both ends							
		QHS	QS-6	QS-6	■	-	528	8
	Female thread at both ends							
		QH	G1/4	G1/4	■	-	3400	10
			G3/8	G3/8			7500	
			G1/2	G1/2			11,500	
G3/4			G3/4	21,000				
G1			G1	33,000				
G1 1/2			G1 1/2	84,000				

Shut-off valves HE

Type codes



Type	
HE	Shut-off valves

Function	
2	2/2-way valve
3	3/2-way valve

Pneumatic connection 1	
QS-6	Push-in connector for tubing O.D. 6 mm
QS-8	Push-in connector for tubing O.D. 8 mm
QS-10	Push-in connector for tubing O.D. 10 mm
QS-12	Push-in connector for tubing O.D. 12 mm
1/8	Male thread R1/8
1/4	Male thread R1/4
3/8	Male thread R3/8
1/2	Male thread R1/2

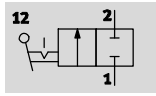
Pneumatic connection 2	
	Same size push-in connector as pneumatic connection 1
QS-6	Push-in connector for tubing O.D. 6 mm
QS-8	Push-in connector for tubing O.D. 8 mm
QS-10	Push-in connector for tubing O.D. 10 mm
QS-12	Push-in connector for tubing O.D. 12 mm
1/8	Male thread R1/8
1/4	Male thread R1/4
3/8	Male thread R3/8


Shut-off valves HE


Technical data


FESTO

HE-2



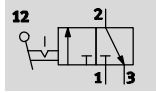
-  - Standard nominal flow rate
278 ... 840 l/min

-  - Temperature range
0 ... +60 °C

-  - Operating pressure
-0.95 ... 10 bar



HE-3



General technical data – HE-2

Pneumatic connection 1	QS-6	QS-8	QS-10	QS-12	R1/8	R1/4	R3/8	R1/2
Pneumatic connection 2	QS-6	QS-8	QS-10	QS-12	QS-6	QS-8	QS-10	QS-12
Nominal width [mm]	5	5	7	7	5	5	7	7
Design	Piston spool valve							
Type of mounting	In-line installation With through-hole							
Mounting position	Any							
Valve function	2/2-way valve, bistable							
Type of actuation	Manual							
Type of pilot control	Direct							
Direction of flow	Non-reversible							
Sealing principle	Soft							

General technical data – HE-3

Pneumatic connection 1	QS-6	QS-8	QS-10	QS-12	R1/8	R1/4	R3/8	R1/2			
Pneumatic connection 2	QS-6	QS-8	QS-10	QS-12	QS-6	R1/8	QS-8	R1/4	QS-10	R3/8	QS-12
Pneumatic connection 3	Not ducted										
Nominal width [mm]	5	5	7	7	5	5	5	7	7	7	7
Design	Piston spool valve										
Type of mounting	In-line installation With through-hole										
Mounting position	Any										
Valve function	3/2-way valve, bistable										
Type of actuation	Manual										
Exhaust air function	No flow control										
Type of control	Direct										
Direction of flow	Non-reversible										
Sealing principle	Soft										

Operating and environmental conditions

Operating pressure [bar]	-0.95 ... 10
Operating medium	Compressed air according to ISO 8573-1:2010 [7:-:-]
Note on operating/pilot medium	Lubricated operation possible (in which case lubricated operation will always be required)
Ambient temperature [°C]	0 ... +60

Materials

Housing	PBT, reinforced
Note on materials	RoHS-compliant

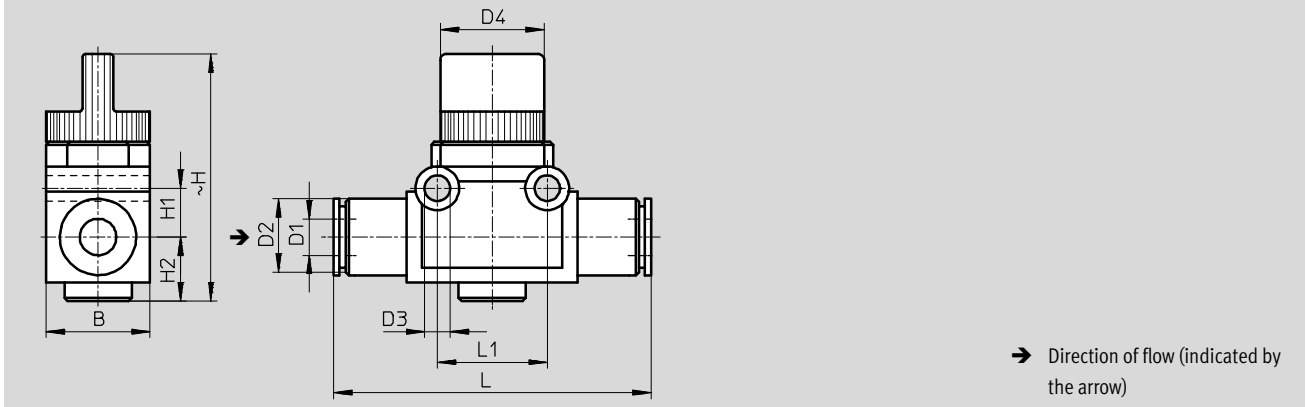
Shut-off valves HE

Technical data

FESTO

Dimensions – Push-in connector at both ends

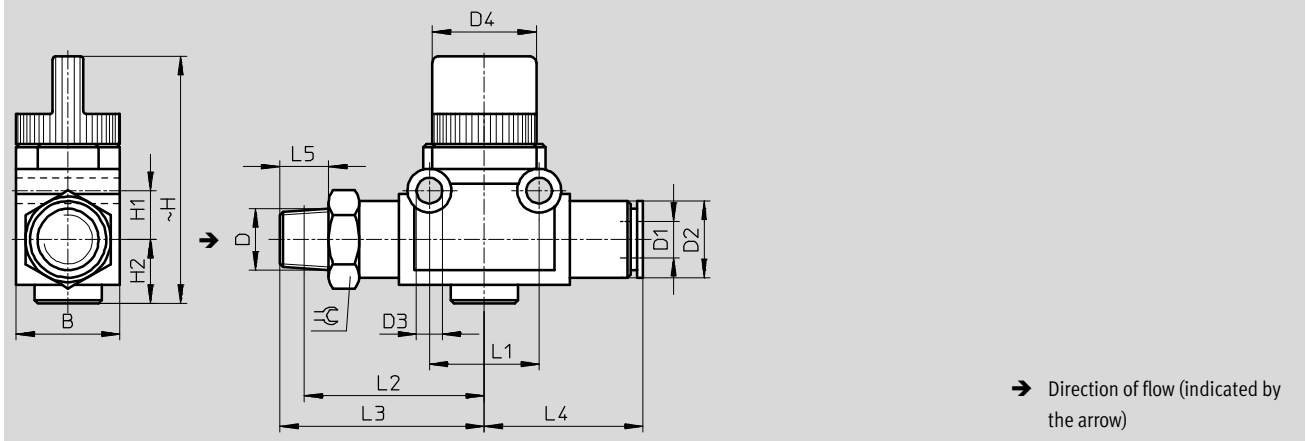
Download CAD data → www.festo.com



Type	B	D1 ∅	D2 ∅	D3 ∅	D4 ∅	H	H1	H2	L	L1
HE...-QS-6	17	6	12.5	4.2	16.5	40.5	8	10.5	53.2	18
HE...-QS-8	17	8	15	4.2	16.5	40.5	8	10.5	56	18
HE...-QS-10	21.7	10	17.5	4.2	19.5	41	11	10.5	65	24
HE...-QS-12	21.7	12	21	4.2	19.5	41	11	10.5	70.2	24

Dimensions – Male thread/push-in connector

Download CAD data → www.festo.com



Type	B	D	D1 ∅	D2 ∅	D3 ∅	D4 ∅	H	H1	H2	L1	L2	L3	L4	L5	⌀
HE...-1/8-QS-6	17	R1/8	6	12.5	4.2	16.5	40.5	8	10.5	18	29.5	33.5	26	8	14
HE...-1/4-QS-8	17	R1/4	8	15	4.2	16.5	40.5	8	10.5	18	30.5	36.5	28	11	14
HE...-3/8-QS-10	21.7	R3/8	10	17.5	4.2	19.5	41	11	10.5	24	37	43.5	32.5	12	17
HE...-1/2-QS-12	21.7	R1/2	12	21	4.2	19.5	41	11	10.5	24	38.5	46.5	35.5	15	21

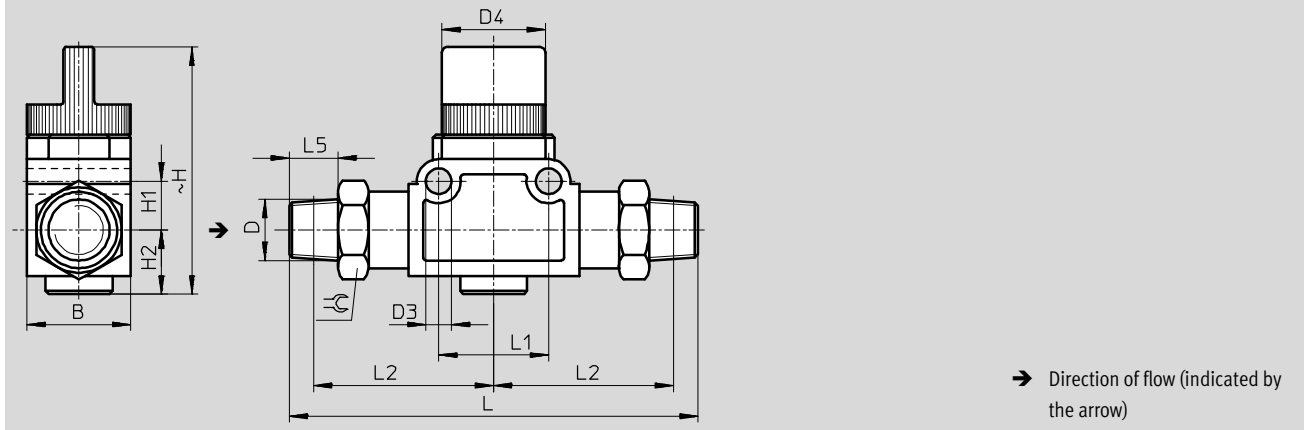
Shut-off valves HE

Technical data

FESTO

Dimensions – Male thread at both ends

Download CAD data → www.festo.com



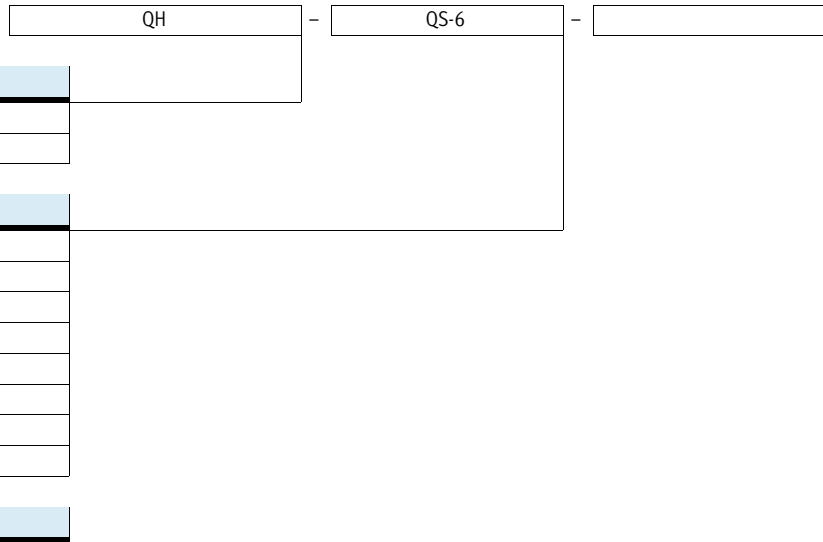
Type	B	D	D3 ∅	D4 ∅	H	H1	H2	L	L1	L2	L5	⇄
HE-3-1/8-1/8	17	R1/8	4.2	16.5	40.5	8	10.5	67	18	29.5	8	14
HE-3-1/4-1/4	21.7	R1/4	4.2	19.5	41	11	10.5	85	24	36.5	11	17
HE-3-3/8-3/8	21.7	R3/8	4.2	19.5	41	11	10.5	87	24	37	12	17

Ordering data

Version		Pneumatic connection		Standard nominal flow rate qnN	Weight	Part No.	Type
		1	2	[l/min]	[g]		
2/2-way valve							
	Push-in connector at both ends	QS-6	QS-6	278	24.5	153467	HE-2-QS-6
		QS-8	QS-8	388	27	153468	HE-2-QS-8
		QS-10	QS-10	761	44	153469	HE-2-QS-10
		QS-12	QS-12	831	50	153470	HE-2-QS-12
	Male thread/push-in connector	R1/8	QS-6	307	33	153471	HE-2-1/8-QS-6
		R1/4	QS-8	396	40.5	153472	HE-2-1/4-QS-8
		R3/8	QS-10	728	70	153473	HE-2-3/8-QS-10
		R1/2	QS-12	776	95	153474	HE-2-1/2-QS-12
3/2-way valve							
	Push-in connector at both ends	QS-6	QS-6	279	24.5	153475	HE-3-QS-6
		QS-8	QS-8	390	27	153476	HE-3-QS-8
		QS-10	QS-10	780	44	153477	HE-3-QS-10
		QS-12	QS-12	840	50	153478	HE-3-QS-12
	Male thread/push-in connector	R1/8	QS-6	301	33	153479	HE-3-1/8-QS-6
		R1/4	QS-8	380	40.5	153480	HE-3-1/4-QS-8
		R3/8	QS-10	733	70	153481	HE-3-3/8-QS-10
		R1/2	QS-12	796	95	153482	HE-3-1/2-QS-12
	Male thread at both ends	R1/8	R1/8	301	42	153296	HE-3-1/8-1/8
		R1/4	R1/4	380	79.5	153297	HE-3-1/4-1/4
		R3/8	R3/8	733	96	153298	HE-3-3/8-3/8

Ball valves QH/QHS

Type codes



Type	
QH	Ball valve
QHS	Ball valve with bulkhead fitting

Pneumatic connection 1	
QS-4	Push-in connector for tubing O.D. 4 mm
QS-6	Push-in connector for tubing O.D. 6 mm
1/4	Female thread G1/4
3/8	Female thread G3/8
1/2	Female thread G1/2
3/4	Female thread G3/4
1	Female thread G1
1 1/2	Female thread G1 1/2

Pneumatic connection 2	
	Same connection size as pneumatic connection 1
1/8	Male thread R1/8

Ball valves QH/QHS

Technical data

FESTO

QH/QHS



- - Standard nominal flow rate
148 ... 560 l/min
- - Temperature range
0 ... +60 °C
- - Operating pressure
-1 ... 10 bar



General technical data					
Type	QH			QHS, bulkhead fitting	
Pneumatic connection 1	QS-4	QS-6	R $\frac{1}{8}$	QS-6	
Pneumatic connection 2	QS-4	QS-6	QS-4	QS-6	QS-6
Nominal width [mm]	2.5	4	2.5	2.5	4
Design	Ball valve				
Type of mounting	In-line installation		Screw-in		Via lock nut
Mounting position	Any				
Valve function	2/2-way valve, bistable				
Type of actuation	Manual				
Sealing principle	Soft				

Operating and environmental conditions	
Operating pressure [bar]	-1 ... 10
Operating medium	Compressed air according to ISO 8573-1:2010 [7:-:-]
Note on operating/pilot medium	Lubricated operation possible (in which case lubricated operation will always be required)
Ambient temperature [°C]	0 ... +60

Materials	
Housing	PBT
Note on materials	RoHS-compliant

Dimensions – Push-in connector at both ends Download CAD data → www.festo.com



Type	D1 ∅	D2 ∅	H	H1	L	L1
QH-QS-4	4	11	15	13	38	17
QH-QS-6	6				41.5	17.5

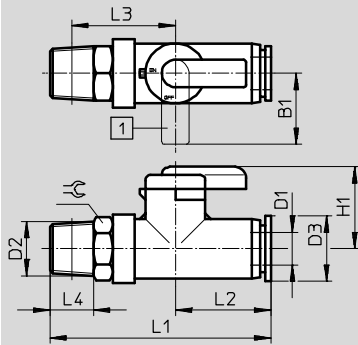
Ball valves QH/QHS

Technical data

FESTO

Dimensions – Male thread/push-in connector

Download CAD data → www.festo.com

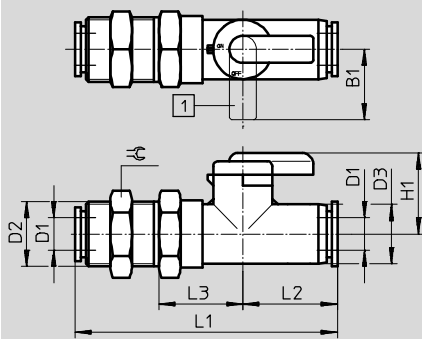


1 Closed position

Type	B1	D1 Ø	D2	D3 Ø	H1	L1	L2	L3	L4	⊘
QH-QS-4-1/8	13	4	R1/8	11	15	41.5	17	20	8	10
QH-QS-6-1/8		6				42	17.5			

Dimensions – Bulkhead fitting, push-in connector at both ends

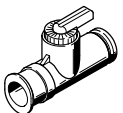
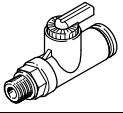
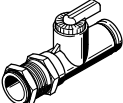
Download CAD data → www.festo.com



1 Closed position

Type	B1	D1 Ø	D2	D3 Ø	H1	L1	L2	L3	⊘
QHS-QS-6	13	6	M12x1	11	15	48.5	17.5	15.5	14

Ordering data

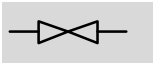
Version	Pneumatic connection	Standard nominal flow rate qnN		Weight	Part No.	Type
		1	2			
2/2-way valve						
	Push-in connector at both ends	QS-4	QS-4	148	12	153483 QH-QS-4
		QS-6	QS-6	533	12.5	153484 QH-QS-6
	Male thread/push-in connector	R1/8	QS-4	235	14	153486 QH-QS-4-1/8
			QS-6	560	15	153487 QH-QS-6-1/8
	Bulkhead fitting, push-in connector at both ends	QS-6	QS-6	528	16.5	153485 QHS-QS-6



Ball valves QH

Technical data – With hand lever

FESTO

QH



-  - Standard nominal flow rate
3400 ... 84,000 l/min
-  - Temperature range
-20 ... +180 °C




General technical data						
Pneumatic connection 1	G1/4	G3/8	G1/2	G3/4	G1	G1 1/2
Pneumatic connection 2	G1/4	G3/8	G1/2	G3/4	G1	G1 1/2
Nominal size [mm]	10	10	15	20	25	40
Design	Ball valve					
Type of mounting	In-line installation					
Mounting position	Any					
Valve function	2/2-way valve, bistable					
Type of actuation	Manual					
Sealing principle	Soft					

Note: This product conforms to ISO 1179-1 and to ISO 228-1

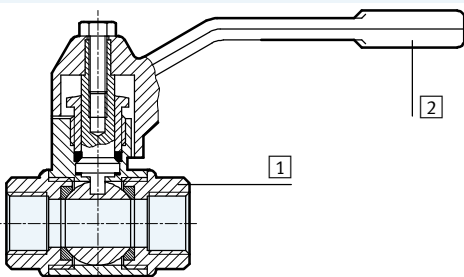
Operating and environmental conditions	
Operating medium	Compressed air according to ISO 8573-1:2010 [7:--:] Water ¹⁾
Note on operating/pilot medium	Lubricated operation possible (in which case lubricated operation will always be required)
Ambient temperature [°C]	-20 ... +180

1) Other media on request.

 Note
Not permitted for toxic gases such as natural gas, town gas etc.

Materials

Sectional view



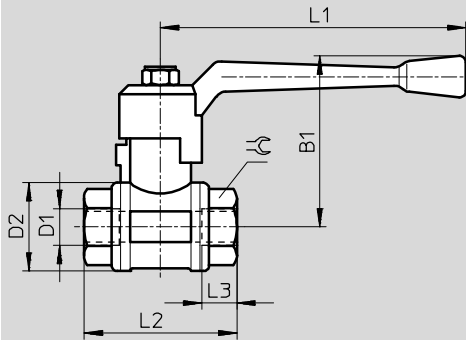
Ball valve	
1	Housing Brass
2	Lever Aluminium

Ball valves QH

Technical data – With hand lever

Dimensions – Female thread at both ends

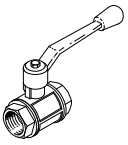
Download CAD data → www.festo.com



Type	B1	D1	D2 ∅	L1	L2	L3	⊕
QH-1/4	56	G1/4	30	100	52	11.5	21.5
QH-3/8	56	G3/8	30	100	52	11.5	21.5
QH-1/2	59	G1/2	35	100	64	15	27
QH-3/4	72	G3/4	44	120	74	16.3	32
QH-1	77	G1	51	120	88	19.1	41
QH-1 1/2	100	G1 1/2	73	150	105.5	21.4	55

• Note: This product conforms to ISO 1179-1 and to ISO 228-1

Ordering data

Version	Pneumatic connection		Standard nominal flow rate qnN	Weight	Part No.	Type
	1	2	[l/min]	[g]		
2/2-way valve						
	Female thread at both ends	G1/4	G1/4	3400	175	9541 QH-1/4
		G3/8	G3/8	7500	180	9542 QH-3/8
		G1/2	G1/2	11,500	340	9543 QH-1/2
		G3/4	G3/4	21,000	590	9544 QH-3/4
		G1	G1	33,000	815	9545 QH-1
		G1 1/2	G1 1/2	84,000	1750	6837 QH-1 1/2

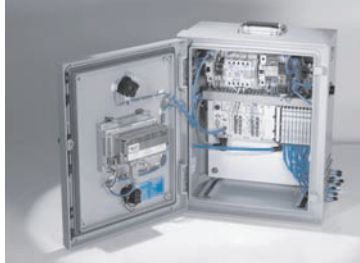
Product Range and Company Overview

A Complete Suite and Company Overview

Our experienced engineers provide complete support at every stage of your development process, including: conceptualization, analysis, engineering, design, assembly, documentation, validation, and production.



Custom Automation Components
Complete custom engineered solutions



Custom Control Cabinets
Comprehensive engineering support and on-site services



Complete Systems
Shipment, stocking and storage services

The Broadest Range of Automation Components

With a comprehensive line of more than 30,000 automation components, Festo is capable of solving the most complex automation requirements.



Electromechanical
Electromechanical actuators, motors, controllers & drivers



Pneumatics
Pneumatic linear and rotary actuators, valves, and air supply



PLCs and I/O Devices
PLC's, operator interfaces, sensors and I/O devices

Supporting Advanced Automation... As No One Else Can!

Festo is a leading global manufacturer of pneumatic and electromechanical systems, components and controls for industrial automation, with more than 16,000 employees in 60 national headquarters serving more than 180 countries. For more than 80 years, Festo has continuously elevated the state of manufacturing with innovations and optimized motion control solutions that deliver higher performing, more profitable automated manufacturing and processing equipment. Our dedication to the advancement of automation extends beyond technology to the education and development of current and future automation and robotics designers with simulation tools, teaching programs, and on-site services.

Quality Assurance, ISO 9001 and ISO 14001 Certifications

Festo Corporation is committed to supply all Festo products and services that will meet or exceed our customers' requirements in product quality, delivery, customer service and satisfaction.

To meet this commitment, we strive to ensure a consistent, integrated, and systematic approach to management that will meet or exceed the requirements of the ISO 9001 standard for Quality Management and the ISO 14001 standard for Environmental Management.

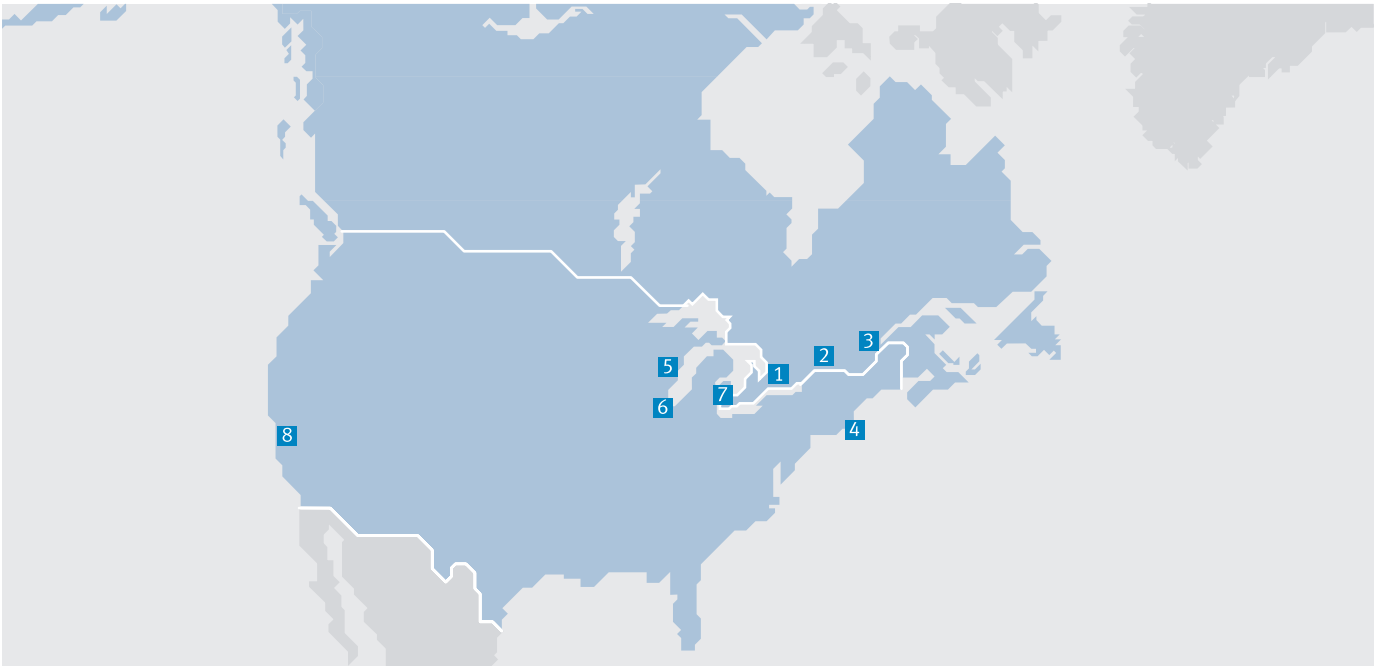


© Copyright 2013, Festo Corporation. While every effort is made to ensure that all dimensions and specifications are correct, Festo cannot guarantee that publications are completely free of any error, in particular typing or printing errors. Accordingly, Festo cannot be held responsible for the same. For Liability and Warranty conditions, refer to our "Terms and Conditions of Sale", available from your local Festo office. All rights reserved. No part of this publication may be reproduced, distributed, or transmitted in any form or by any means, electronic, mechanical, photocopying or otherwise, without the prior written permission of Festo. All technical data subject to change according to technical update.



Printed on recycled paper at New Horizon Graphic, Inc., FSC certified as an environmental friendly printing plant.

Festo North America



**1 Festo Canada
Headquarters
Festo Inc.**
5300 Explorer Drive
Mississauga, ON
L4W 5G4

2 Montréal
5600, Trans-Canada
Pointe-Claire, QC
H9R 1B6

3 Québec City
2930, rue Watt#117
Québec, QC
G1X 4G3



**4 Festo United States
Headquarters
Festo Corporation**
395 Moreland Road
Hauppauge, NY
11788

5 Appleton
North 922 Tower View Drive, Suite N
Greenville, WI
54942

7 Detroit
1441 West Long Lake Road
Troy, MI
48098

6 Chicago
85 W Algonquin - Suite 340
Arlington Heights, IL
60005

8 Silicon Valley
4935 Southfront Road, Suite F
Livermore, CA
94550

Festo Regional Contact Center

Canadian Customers

Commercial Support:
Tel: 1 877 GO FESTO (1 877 463 3786)
Fax: 1 877 FX FESTO (1 877 393 3786)
Email: festo.canada@ca.festo.com

Technical Support:
Tel: 1 866 GO FESTO (1 866 463 3786)
Fax: 1 877 FX FESTO (1 877 393 3786)
Email: technical.support@ca.festo.com

USA Customers

Commercial Support:
Tel: 1 800 99 FESTO (1 800 993 3786)
Fax: 1 800 96 FESTO (1 800 963 3786)
Email: customer.service@us.festo.com

Technical Support:
Tel: 1 866 GO FESTO (1 866 463 3786)
Fax: 1 800 96 FESTO (1 800 963 3786)
Email: product.support@us.festo.com