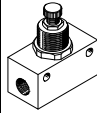
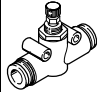


**One-way flow control valves GR/GRA, in-line installation**



# One-way flow control valves GR/GRA, in-line installation

Product range overview and type codes

Product range overview										
Version	Valve function	Version	Type	Connection direction	Pneumatic connection 1	Pneumatic connection 2	qnN <sup>1)</sup> [l/min]	Adjustment component	→ Page/ Internet	
In-line installation	<b>Metal</b>									
	One-way flow control function		GR/GRA	In-line	M3, M5, G <sup>1</sup> / <sub>8</sub> , G <sup>1</sup> / <sub>4</sub> , G <sup>3</sup> / <sub>8</sub> , G <sup>1</sup> / <sub>2</sub> , G <sup>3</sup> / <sub>4</sub>	M3, M5, G <sup>1</sup> / <sub>8</sub> , G <sup>1</sup> / <sub>4</sub> , G <sup>3</sup> / <sub>8</sub> , G <sup>1</sup> / <sub>2</sub> , G <sup>3</sup> / <sub>4</sub>	29.5 ... 3,300	Knurled screw	3	
In-line installation	<b>Polymer</b>									
	One-way flow control function		GR	In-line	QS-3, QS-4, QS-6, QS-8	QS-3, QS-4, QS-6, QS-8	40 ... 250	Knurled screw	8	

1) Standard nominal flow rate in direction of flow control.

## Type codes

GR - QS-4 - LF -

Type	
GR	One-way flow control valve, in-line installation
GRA	One-way flow control valve, in-line installation

Pneumatic connection 1 and 2	
M3	Female thread M3
M5	Female thread M5
1/8	Female thread G <sup>1</sup> / <sub>8</sub>
1/4	Female thread G <sup>1</sup> / <sub>4</sub>
3/8	Female thread G <sup>3</sup> / <sub>8</sub>
1/2	Female thread G <sup>1</sup> / <sub>2</sub>
3/4	Female thread G <sup>3</sup> / <sub>4</sub>
QS-3	Push-in connector for tubing O.D. 3 mm
QS-4	Push-in connector for tubing O.D. 4 mm
QS-6	Push-in connector for tubing O.D. 6 mm
QS-8	Push-in connector for tubing O.D. 8 mm

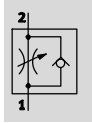
Flow rate characteristic	
LF	Low flow

Generation	
B	B series

# One-way flow control valves GR/GRA, in-line installation

Technical data – Female thread, metal

One-way flow control function



- - Flow rate  
29.5 ... 3,300 l/min
- - Temperature range  
-20 ... +75 °C
- - Operating pressure  
0.1 ... 15 bar

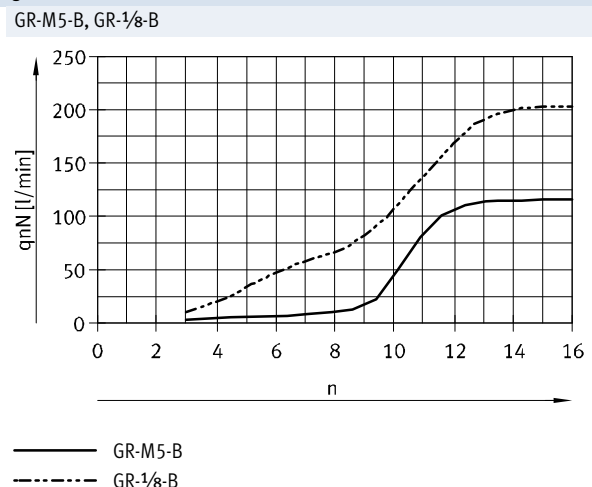
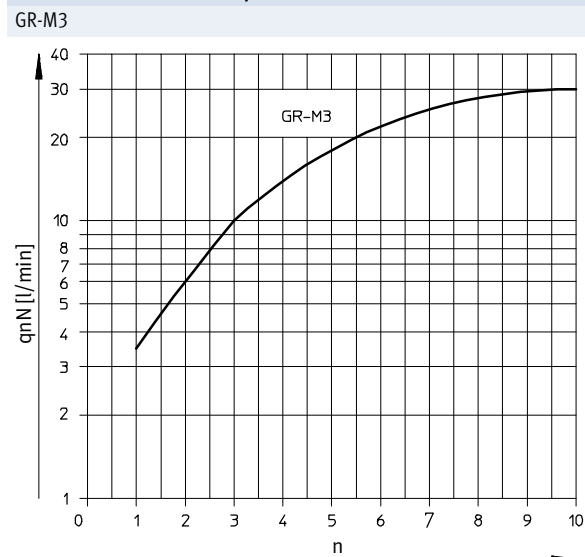


General technical data								
Valve function	One-way flow control function							
Type	GR-M3	GR-M5-B	GR-1/8-B	GR-1/4	GRA-1/4-B	GR-3/8-B	GR-1/2	GR-3/4
Pneumatic connection 1, 2	M3	M5	G1/8	G1/4	G1/4	G3/8	G1/2	G3/4
Adjustment component	Knurled screw							
Type of mounting	Via through-hole			-	Via through-hole			
	Front panel mounting			-	Front panel mounting			
	-			In-line installation	-			
Mounting position	Any							

Note: This product conforms to ISO 1179-1 and to ISO 228-1

Operating and environmental conditions								
Type	GR-M3	GR-M5-B	GR-1/8-B	GR-1/4	GRA-1/4-B	GR-3/8-B	GR-1/2	GR-3/4
Operating pressure [bar]	0.3 ... 8	0.5 ... 10			0.1 ... 10		0.3 ... 15	
Operating medium	Compressed air in accordance with ISO 8573-1: 2010							
	[6:4:4]	[7:4:4]	[7:-:-]	[7:4:4]	[7:-:-]			
Note on operating/pilot medium	Operation with lubricated medium possible (in which case lubricated operation will always be required)							
Ambient temperature [°C]	-10 ... +60	-20 ... +60		-20 ... +75			-10 ... +60	
Temperature of medium [°C]	-10 ... +60	-20 ... +60		-20 ... +75			-10 ... +60	
Storage temperature [°C]	-10 ... +40	-20 ... +40		-20 ... +75			-10 ... +60	

## Standard nominal flow rate q<sub>nN</sub> at 6 → 5 bar as a function of turns of the adjusting screw n



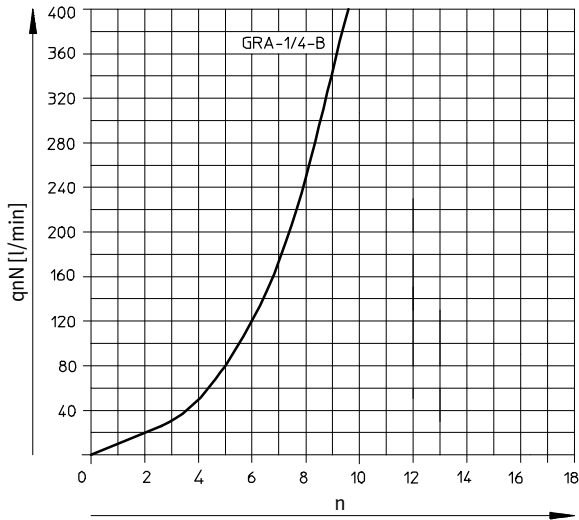
# One-way flow control valves GR/GRA, in-line installation

Technical data – Female thread, metal

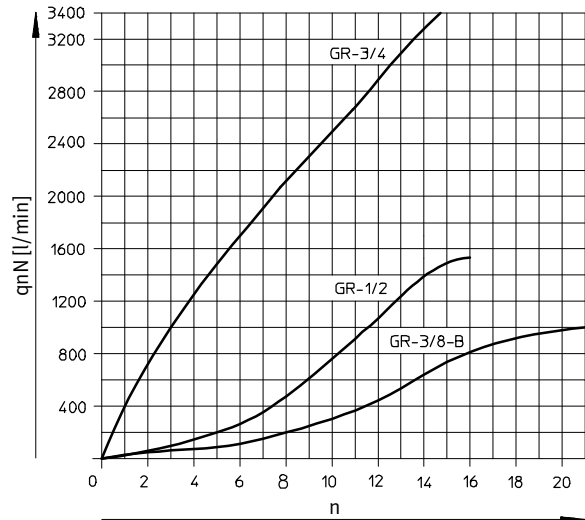
FESTO

## Standard nominal flow rate $q_{nN}$ at 6 → 5 bar as a function of turns of the adjusting screw $n$

GRA-1/4-B

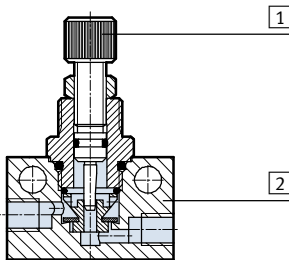


GR-3/8-B, GR-1/2, GR-3/4



## Materials

Sectional view



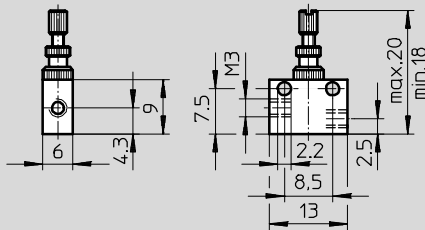
### One-way flow control valve

1	Adjusting screw	GR-M3, GRA-1/4-B, GR-3/8-B, GR-1/2, GR-3/4: Brass
		GR-M5-B, GR-1/8-B: Stainless steel
		GR-1/4: Galvanised steel
2	Housing	GR-M3, GR-M5-B, GR-1/8-B, GR-1/4, GR-3/4: Wrought aluminium alloy
		GRA-1/4-B, GR-3/8-B, GR-1/2: Die-cast zinc
-	Seals	NBR
Note on materials		RoHS-compliant

## Dimensions

GR-M3

Download CAD data → [www.festo.com](http://www.festo.com)



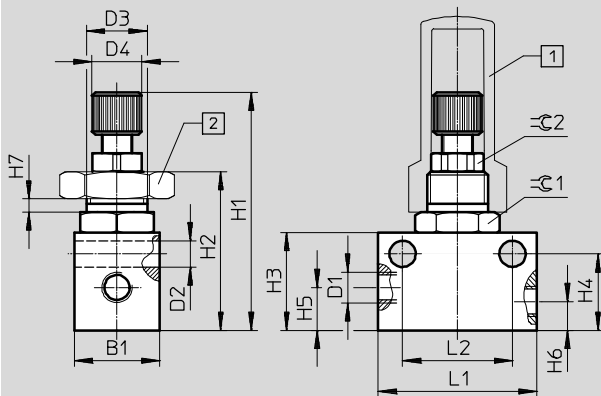
# One-way flow control valves GR/GRA, in-line installation

Technical data – Female thread, metal

## Dimensions

Download CAD data → [www.festo.com](http://www.festo.com)

GR-M5-B, GR-1/8-B



Note: This product conforms to ISO 1179-1 and to ISO 228-1

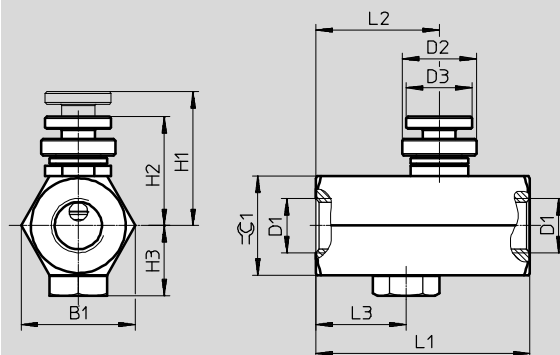
- 1 Cover cap GRK → 7
- 2 Hex nut GRM → 7

Type	Connection D1	B1	D2 ∅	D3	D4	H1		H2	H3	H4	H5	H6	H7 max.	L1	L2 ±0.1	≈C 1	≈C 2
						min.	max.										
GR-M5-B	M5	14	4.3	M10x1	8	35	41	25.2	16	12.5	7	4.7	2.5	26	18	13	8
GR-1/8-B	G1/8	16	4.3	M12x1	8	40.6	46.5	30.8	22	17.5	9.2	9	3.5	32	24	14	8

## Dimensions

Download CAD data → [www.festo.com](http://www.festo.com)

GR-1/4



Type	Connection D1	B1	D2 ∅	D3 ∅	H1	H2	H3	L1	L2	L3	≈C 1
GR-1/4	G1/4	28	18	16	32.5	26.5	17	52	30	22	24

# One-way flow control valves GR/GRA, in-line installation

Technical data – Female thread, metal



## Dimensions Download CAD data → [www.festo.com](http://www.festo.com)

**GRA-1/4-B**

**GR-3/8-B**

- | - Note: This product conforms to ISO 1179-1 and to ISO 228-1

1 Cover cap GRK → 7
2 Hex nut GRM → 7

Type	Connection D1	B1	D2	D3 ∅	D4 ∅	H1		H2	H3	H4	H5	H6	H7 max.	H8	L1	L2	1	2
						min.	max.											
GRA-1/4-B	G1/4	26.5	M20x1.5	6.4	17.4	56	62	73.5	44	22.5	28	10	3.5	–	52	35 ±0.1	13	24
GR-3/8-B	G3/8	33	M20x1.5	4.5	17.5	62.5	74	76.5	46	31.5	27	14	3.5	13	62	38	13	30

## Dimensions Download CAD data → [www.festo.com](http://www.festo.com)

**GR-1/2**

**GR-3/4**

- | - Note: This product conforms to ISO 1179-1 and to ISO 228-1

## Ordering data – One-way flow control function

	Pneumatic connection	Standard nominal flow rate qnN at 6 → 5 bar		Weight [g]	Part No.	Type
		in direction of flow control	in non-return direction			
	2	1	[l/min]	[l/min]		
<b>Knurled screw</b>						
	M3	M3	29.5	26 ... 27.5	2.5	<b>15899</b> <b>GR-M3</b>
	M5	M5	115	130 ... 137	19	<b>151213</b> <b>GR-M5-B</b>
	G1/8	G1/8	210	180 ... 275	31	<b>151215</b> <b>GR-1/8-B</b>
	G1/4	G1/4	420	780	180	<b>6509</b> <b>GRA-1/4-B</b>
	G3/8	G3/8	1,010	1,150	225	<b>6308</b> <b>GR-3/8-B</b>
	G1/2	G1/2	1,620	2,760	517	<b>3720</b> <b>GR-1/2</b>
	G3/4	G3/4	3,300	4,800	938	<b>2103</b> <b>GR-3/4</b>
	G1/4	G1/4	370	150	80	<b>2101</b> <b>GR-1/4</b>

## One-way flow control valves GR/GRA, in-line installation

FESTO

Accessories

### Hex nut GRM

For front panel mounting

Material: Steel



Ordering data			
For type	Description	Part No.	Type
GR-M5-B	Thread M10x1	6444	GRM-M5
GR-1/8-B	Thread M12x1	2107	GRM-1/8
GRA-1/4-B, GR-3/8-B	Thread M20x1.5	204596	GRM-3/8

### Cover cap GRK

Material: PP

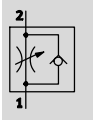





Ordering data			
For type	Description	Part No.	Type
GR-M5-B	Thread M10x1	6436	GRK-M5
GR-1/8-B	Thread M12x1	2105	GRK-1/8
GRA-1/4-B, GR-3/8-B	Thread M20x1.5	6309	GRK-3/8-B

# One-way flow control valves GR, in-line installation

Technical data – Push-in connector QS, polymer

One-way flow control function



-  - Flow rate  
40 ... 250 l/min
-  - Temperature range  
-10 ... +60 °C
-  - Operating pressure  
0.2 ... 10 bar



General technical data				
Valve function	One-way flow control function			
Pneumatic connection 2	QS-3	QS-4	QS-6	QS-8
Pneumatic connection 1	QS-3	QS-4	QS-6	QS-8
Adjustment component	Knurled screw			
Type of mounting	Via through-hole			
	Front panel mounting			
	Via accessories			
Mounting position	Any			

Operating and environmental conditions	
Operating pressure [bar]	0.2 ... 10
Operating medium	Compressed air in accordance with ISO 8573-1:2010 [7:4:4]
Note on operating/pilot medium	Operation with lubricated medium possible (in which case lubricated operation will always be required)
Ambient temperature [°C]	-10 ... +60
Temperature of medium [°C]	-10 ... +60
Storage temperature [°C]	-10 ... +40

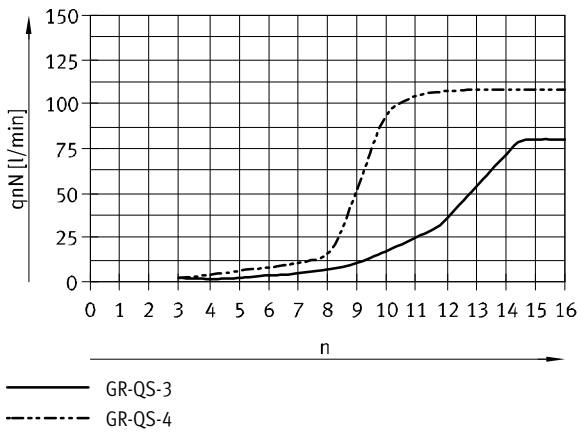


# One-way flow control valves GR, in-line installation

Technical data – Push-in connector QS, polymer

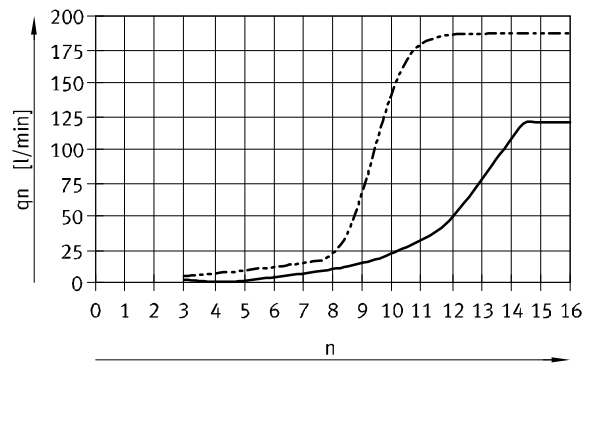
Standard nominal flow rate  $q_{nN}$  at 6 → 5 bar as a function of turns of the adjusting screw n

GR-QS-3, GR-QS-4

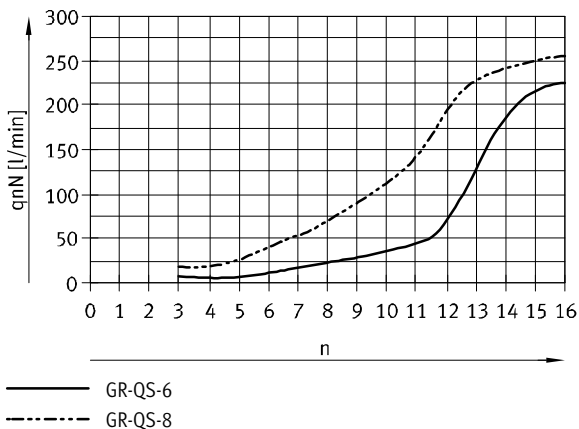


Standard flow rate  $q_n$  at 6 → 0 bar as a function of turns of the adjusting screw n

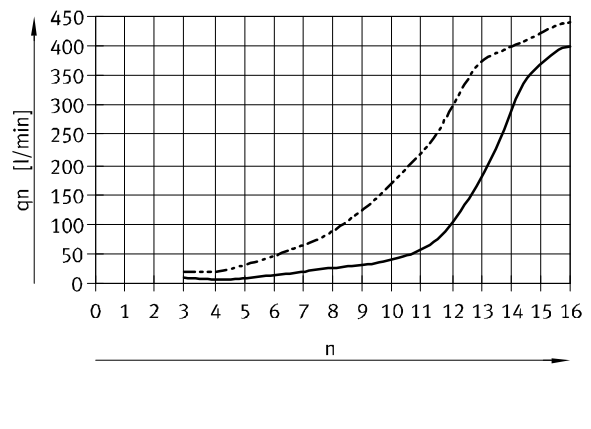
GR-QS-3, GR-QS-4



GR-QS-6, GR-QS-8

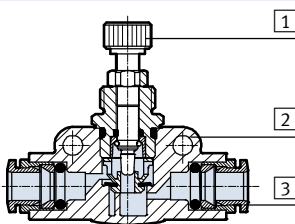


GR-QS-6, GR-QS-8



## Materials

Sectional view

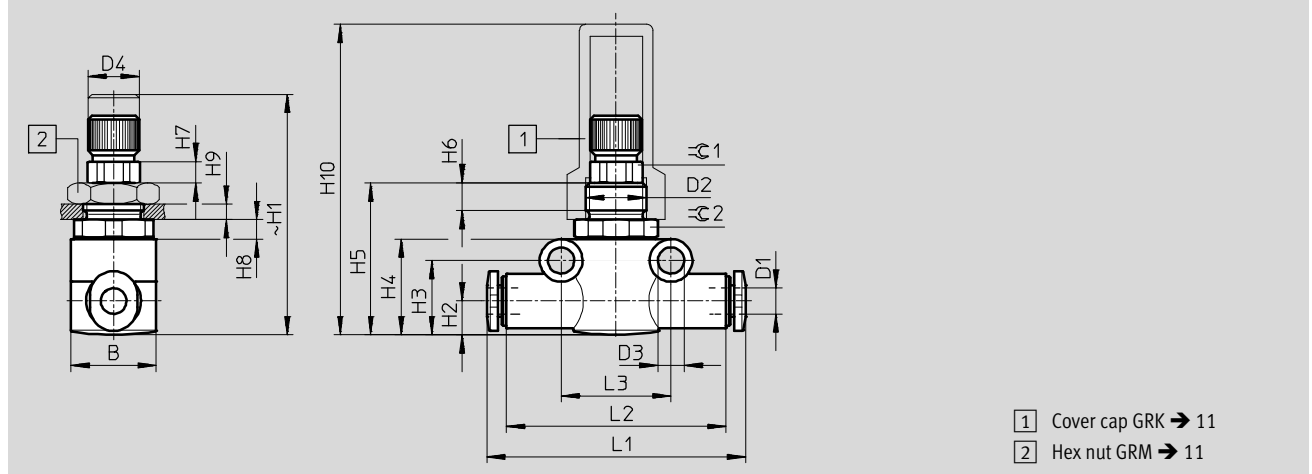


One-way flow control valve		
1	Adjusting screw	Nickel-plated brass
2	Housing	PA, reinforced
3	Releasing ring	POM
-	Seals	NBR
Note on materials		RoHS-compliant

# One-way flow control valves GR, in-line installation

Technical data – Push-in connector QS, polymer

Dimensions Download CAD data → [www.festo.com](http://www.festo.com)  
 Knurled screw



Type	Tubing O.D. D1	B	D2	D3 Ø	D4 Ø	H1		H2	H3	H4
						min.	max.			
GR-QS-3	3	14	M10x1	4.3 ±0.1	7.9 -0.3	35	41.5	5.55	12.2	15.7
GR-QS-4	4	14	M10x1	4.3 ±0.1	7.9 -0.3	35	41.5	5.55	12.2	15.7
GR-QS-6	6	16	M12x1	4.3 ±0.1	7.9 -0.3	40	46	8.4	17.3	21.3
GR-QS-8	8	16	M12x1	4.3 ±0.1	7.9 -0.3	40	46	8.4	17.3	21.3

Type	H5	H6	H7	H8	H9 max.	H10	L1	L2	L3	≈C 1	≈C 2
GR-QS-3	24.9	4.5	3.5	3.2	2.5	50.9	41.8	36	18	8	13
GR-QS-4	24.9			3.2	2.5	50.9	42.4	36	18		13
GR-QS-6	30.1			2.8	3.5	46.1	51.6	43	24		14
GR-QS-8	30.1			2.8	3.5	46.1	53.4	43	24		14

## Ordering data – One-way flow control function

	Pneumatic connection		Standard nominal flow rate q <sub>N</sub> at 6 → 5 bar		Standard flow rate q <sub>n</sub> at 6 → 0 bar		Weight [g]	Part No.	Type
	2	1	in direction of flow control	in non-return direction	in direction of flow control	in non-return direction			
			[l/min]	[l/min]	[l/min]	[l/min]			
	QS-3	QS-3	85	120	–	–	12	193965	GR-QS-3
	QS-4	QS-4	40	100 ... 110	130	170 ... 185	15	193966	GR-QS-4-LF
			110	165	–	–	12	193967	GR-QS-4
	QS-6	QS-6	75	260 ... 270	110	500 ... 510	25	193968	GR-QS-6-LF
			230	430	–	–	22	193969	GR-QS-6
	QS-8	QS-8	250	500	–	–	23	193970	GR-QS-8

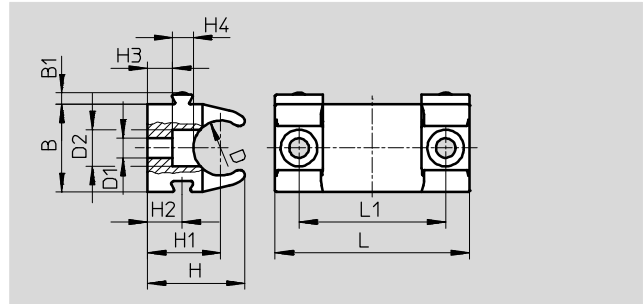
# One-way flow control valves GR, in-line installation

Accessories

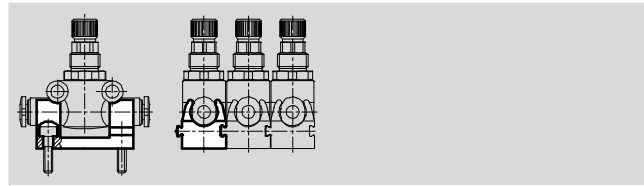
## Retainer GR-H

For mounting on a flat surface via M3 screws. The one-way flow control valve is snapped into the retainer. The retainer can be fitted in any position.

Material: POM  
Free of copper and PTFE



Linking of multiple retainers via dovetail slot



Dimensions and ordering data								
For type	B	B1	D	D1	D2	H	H1	H2
GR-QS-3, GR-QS-4	14.3	1.9	9	3.2	6	16	12	5.7
GR-QS-6, GR-QS-8	19.8	1.9	14.5	3.2	6	19.2	13	5.7

For type	H3	H4	L	L1	Weight [g]	Part No.	Type
GR-QS-3, GR-QS-4	4.1	3.4	31.8	24	4	195495	GR-H-QS-3-4
GR-QS-6, GR-QS-8	2.3	3.4	31.8	24	5	195496	GR-H-QS-6-8

## Hex nut GRM

For front panel mounting

Material: Steel



Ordering data			
For type	Description	Part No.	Type
GR-QS-3, GR-QS-4	Thread M10x1	6444	GRM-M5
GR-QS-6, GR-QS-8	Thread M12x1	2107	GRM-1/8

## Cover cap GRK

Material: PP



Ordering data			
For type	Description	Part No.	Type
GR-QS-3, GR-QS-4	Thread M10x1	6436	GRK-M5
GR-QS-6, GR-QS-8	Thread M12x1	2105	GRK-1/8

## Product Range and Company Overview

### A Complete Suite and Company Overview

Our experienced engineers provide complete support at every stage of your development process, including: conceptualization, analysis, engineering, design, assembly, documentation, validation, and production.



**Custom Automation Components**  
Complete custom engineered solutions



**Custom Control Cabinets**  
Comprehensive engineering support and on-site services



**Complete Systems**  
Shipment, stocking and storage services

### The Broadest Range of Automation Components

With a comprehensive line of more than 30,000 automation components, Festo is capable of solving the most complex automation requirements.



**Electromechanical**  
Electromechanical actuators, motors, controllers & drivers



**Pneumatics**  
Pneumatic linear and rotary actuators, valves, and air supply



**PLCs and I/O Devices**  
PLC's, operator interfaces, sensors and I/O devices

### Supporting Advanced Automation... As No One Else Can!

Festo is a leading global manufacturer of pneumatic and electromechanical systems, components and controls for industrial automation, with more than 16,000 employees in 60 national headquarters serving more than 180 countries. For more than 80 years, Festo has continuously elevated the state of manufacturing with innovations and optimized motion control solutions that deliver higher performing, more profitable automated manufacturing and processing equipment. Our dedication to the advancement of automation extends beyond technology to the education and development of current and future automation and robotics designers with simulation tools, teaching programs, and on-site services.

### Quality Assurance, ISO 9001 and ISO 14001 Certifications

Festo Corporation is committed to supply all Festo products and services that will meet or exceed our customers' requirements in product quality, delivery, customer service and satisfaction.

To meet this commitment, we strive to ensure a consistent, integrated, and systematic approach to management that will meet or exceed the requirements of the ISO 9001 standard for Quality Management and the ISO 14001 standard for Environmental Management.

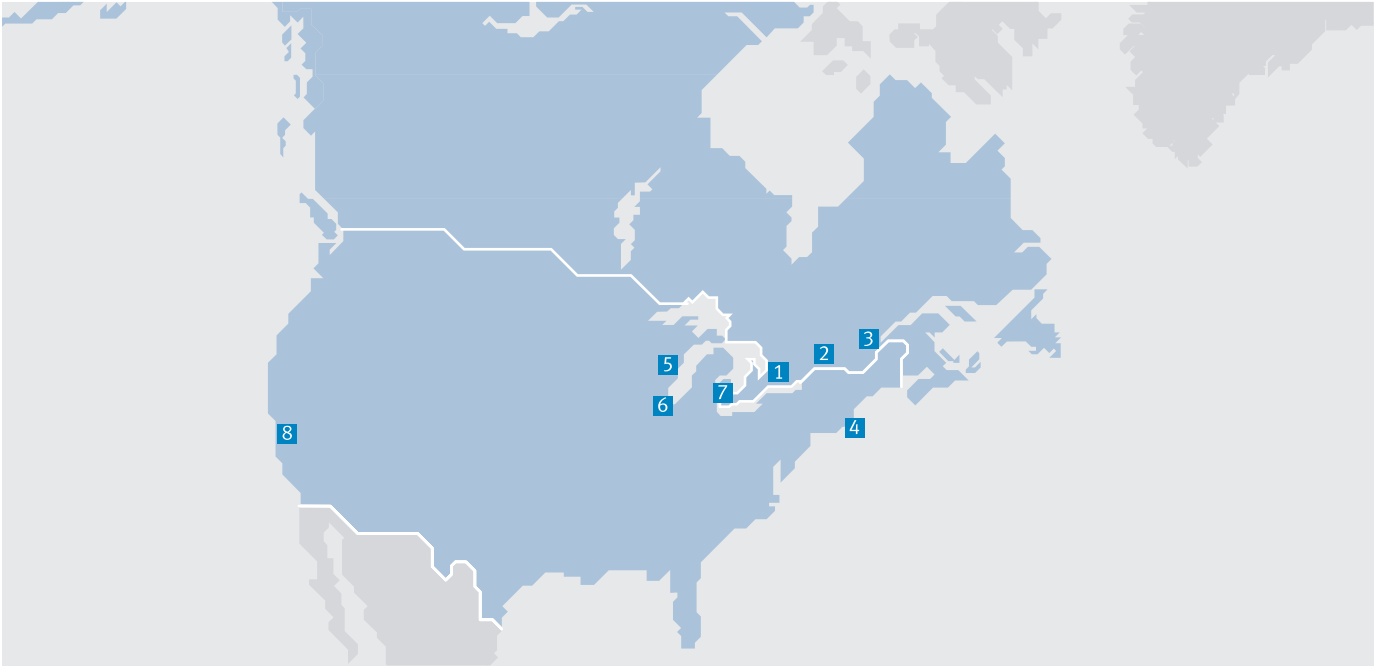


© Copyright 2013, Festo Corporation. While every effort is made to ensure that all dimensions and specifications are correct, Festo cannot guarantee that publications are completely free of any error, in particular typing or printing errors. Accordingly, Festo cannot be held responsible for the same. For Liability and Warranty conditions, refer to our "Terms and Conditions of Sale", available from your local Festo office. All rights reserved. No part of this publication may be reproduced, distributed, or transmitted in any form or by any means, electronic, mechanical, photocopying or otherwise, without the prior written permission of Festo. All technical data subject to change according to technical update.



Printed on recycled paper at New Horizon Graphic, Inc., FSC certified as an environmental friendly printing plant.

# Festo North America



**1 Festo Canada  
Headquarters  
Festo Inc.**  
5300 Explorer Drive  
Mississauga, ON  
L4W 5G4

**2 Montréal**  
5600, Trans-Canada  
Pointe-Claire, QC  
H9R 1B6

**3 Québec City**  
2930, rue Watt#117  
Québec, QC  
G1X 4G3



**4 Festo United States  
Headquarters  
Festo Corporation**  
395 Moreland Road  
Hauppauge, NY  
11788

**5 Appleton**  
North 922 Tower View Drive, Suite N  
Greenville, WI  
54942

**7 Detroit**  
1441 West Long Lake Road  
Troy, MI  
48098

**6 Chicago**  
85 W Algonquin - Suite 340  
Arlington Heights, IL  
60005

**8 Silicon Valley**  
4935 Southfront Road, Suite F  
Livermore, CA  
94550

## Festo Regional Contact Center

### Canadian Customers

Commercial Support:  
Tel: 1 877 GO FESTO (1 877 463 3786)  
Fax: 1 877 FX FESTO (1 877 393 3786)  
Email: festo.canada@ca.festo.com

Technical Support:  
Tel: 1 866 GO FESTO (1 866 463 3786)  
Fax: 1 877 FX FESTO (1 877 393 3786)  
Email: technical.support@ca.festo.com

### USA Customers

Commercial Support:  
Tel: 1 800 99 FESTO (1 800 993 3786)  
Fax: 1 800 96 FESTO (1 800 963 3786)  
Email: customer.service@us.festo.com

Technical Support:  
Tel: 1 866 GO FESTO (1 866 463 3786)  
Fax: 1 800 96 FESTO (1 800 963 3786)  
Email: product.support@us.festo.com