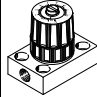



Precision flow control valves GRPO



Precision flow control valves GRPO

Product range overview and type codes

Product range overview									
Version	Valve function	Version	Type	Connection direction	Pneumatic connection 2	Pneumatic connection 1	qnN ¹⁾ [l/min]	Adjustment component	→ Page/Internet
Precision flow control valve	Metal Flow control function		GRPO	-	G ¹ / ₈	G ¹ / ₈	40.7 ... 75.8	Rotary knob with scale	3
				-	PK-3, PK-4	PK-3, PK-4	3.8 ... 75.8	Rotary knob with scale	

1) Standard nominal flow rate in direction of flow control.

Type codes



Type	
GRPO	Precision flow control valve

Size	
10, 70, 160	

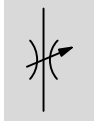
Pneumatic connection 1, 2	
Size 70, 160	
1/8	Thread G ¹ / ₈
Size 10, 70	
PK-3	Push-in connector for tubing with 3 mm I.D.
Size 160	
PK-4	Push-in connector for tubing with 4 mm I.D.

Sub-base material	
Thread G ¹ / ₈	
AL	Wrought aluminium alloy

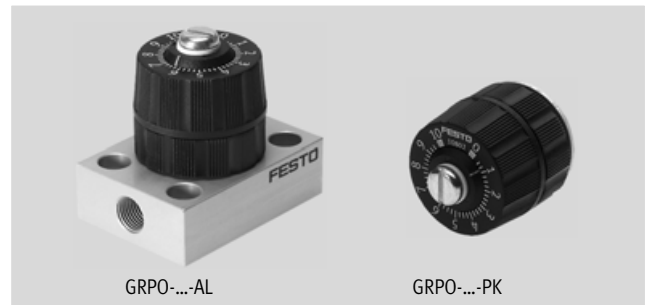
Precision flow control valves GRPO

Technical data

Function



- - Flow rate
3.8 ... 75.8 l/min
- - Temperature range
-10 ... +50 °C
- - Operating pressure
0 ... 8 bar



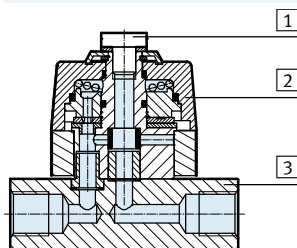
General technical data			
Valve function	Flow control function		
Type	GRPO-...-AL	GRPO-...-PK	
Pneumatic connection 1	G $\frac{1}{8}$	PK-3	PK-4
Pneumatic connection 2	G $\frac{1}{8}$	PK-3	PK-4
Adjustment component	Rotary knob with scale		
Actuation type	Manual		
Type of mounting	On sub-base	Front panel mounting	
Mounting position	Any		

Note: This product conforms to ISO 1179-1 and to ISO 228-1

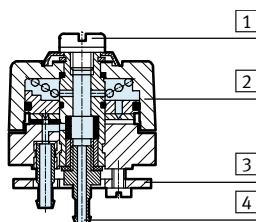
Operating and environmental conditions		
Operating pressure	[bar]	0 ... 8
Operating pressure 2 → 1	[bar]	0 ... 0.5
Operating medium	Compressed air in accordance with ISO 8573-1:2010 [5:4:3] Inert gases	
Note on operating/pilot medium	Operation with lubricated medium not possible	
Ambient temperature	[°C]	-10 ... +50
Temperature of medium	[°C]	-10 ... +50

Materials

Sectional view



Precision flow control valve GRPO-...-AL	
1	Screws Steel
2	Housing PA, reinforced
3	Sub-base Wrought aluminium alloy
-	Seals NBR, PVC
Note on materials	RoHS-compliant Contains PWIS (paint-wetting impairment substances)



Precision flow control valve GRPO-...-PK	
1	Screws Steel
2	Housing PA, reinforced
3	Retainer Wrought aluminium alloy
4	PK connections Brass, wrought aluminium alloy
-	Seals NBR, PVC
Note on materials	RoHS-compliant Contains PWIS (paint-wetting impairment substances)

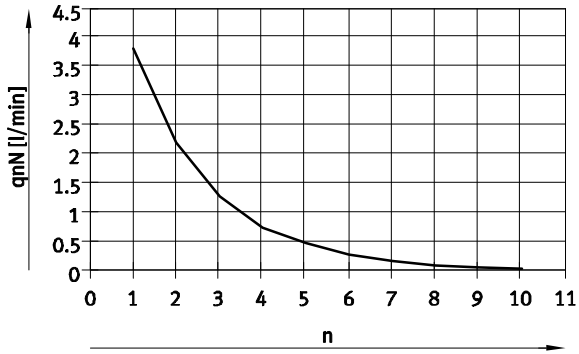
Precision flow control valves GRPO

Technical data

FESTO

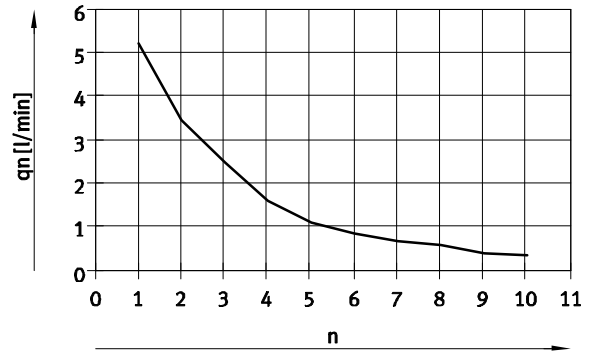
Standard nominal flow rate q_{nN} at 6 bar \rightarrow 5 bar
as a function of spindle rotations n

Size 10

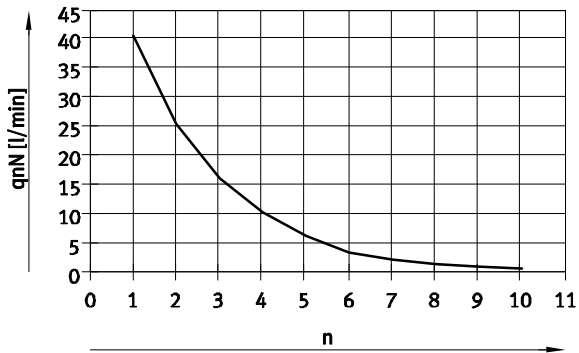


Standard flow rate q_n at 6 bar \rightarrow 0 bar
as a function of spindle rotations n

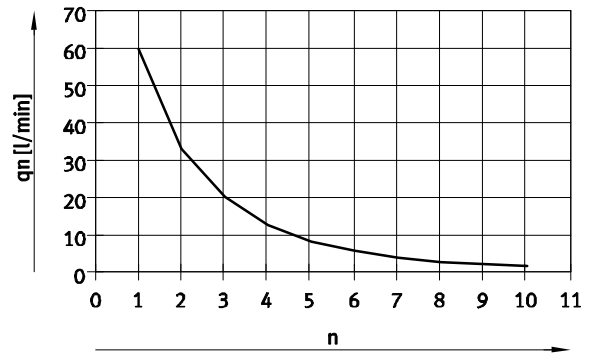
Size 10



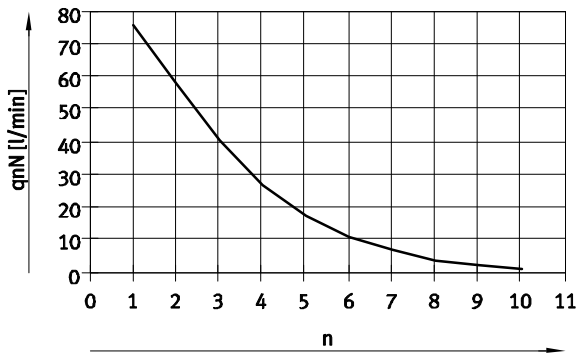
Size 70



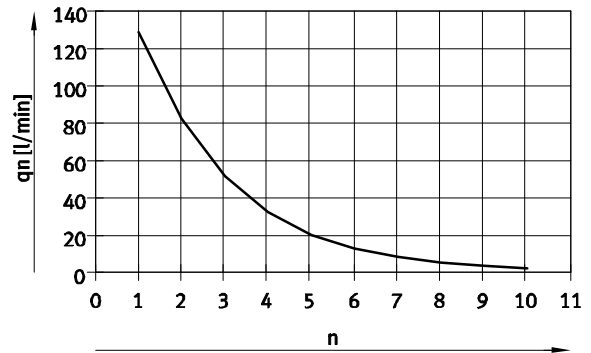
Size 70



Size 160



Size 160

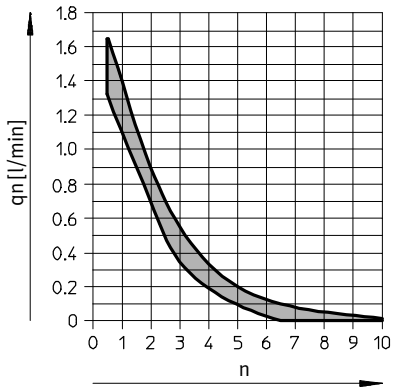


Precision flow control valves GRPO

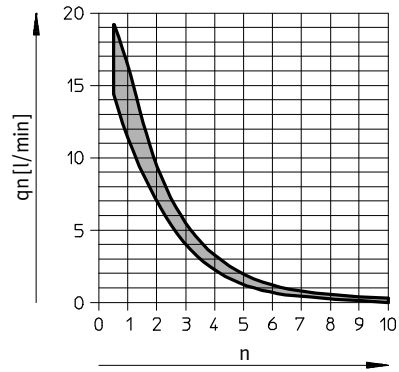
Technical data

Standard flow rate q_n at 1 bar \rightarrow 0 bar as a function of spindle rotations n

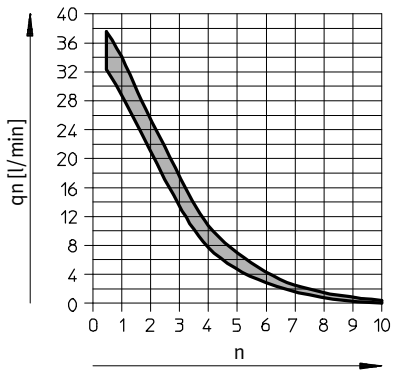
Size 10



Size 70



Size 160



Precision flow control valves GRPO

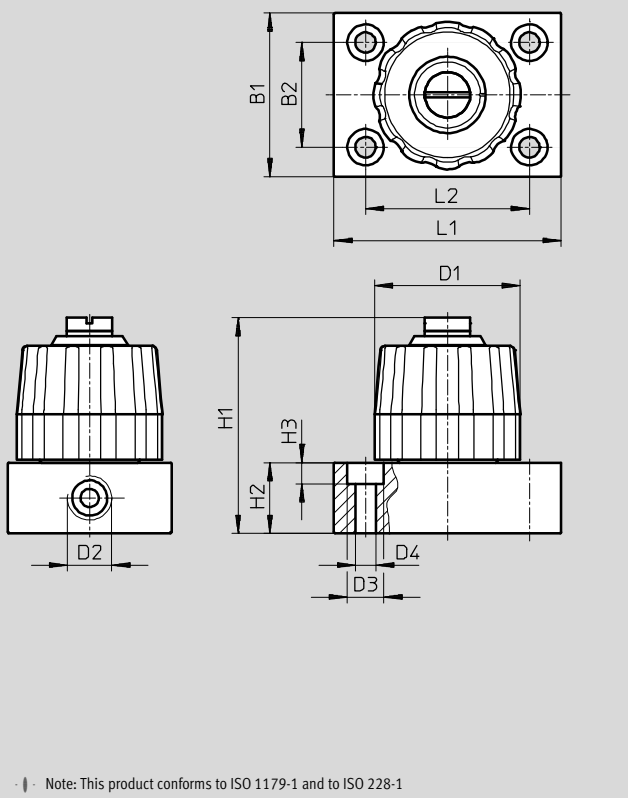
Technical data

FESTO

Dimensions

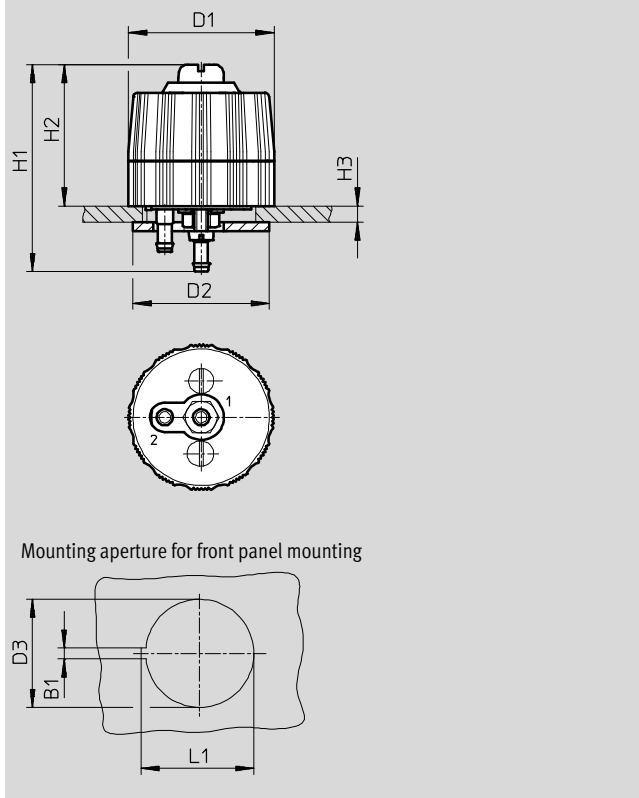
Download CAD data → www.festo.com

GRPO-...-AL



Note: This product conforms to ISO 1179-1 and to ISO 228-1

GRPO-...-PK



Type	Connection D2	B1	B2	D1	D3
GRPO-70-1/8-AL	G1/8	36	23	32	8
GRPO-160-1/8-AL					

Type	B1	D1	D2	D3
GRPO-10/70-PK-3	2.6	32	30	22
GRPO-160-PK-4				

Type	D4	H1	H2	H3	L1	L2
GRPO-70-1/8-AL	4.5	47.4	15.5	4.6	50	36
GRPO-160-1/8-AL						

Type	H1	H2	H3	L1
GRPO-10/70-PK-3	45.6	31.2	1.5 ... 10	23.5
GRPO-160-PK-4	44.5			

Ordering data

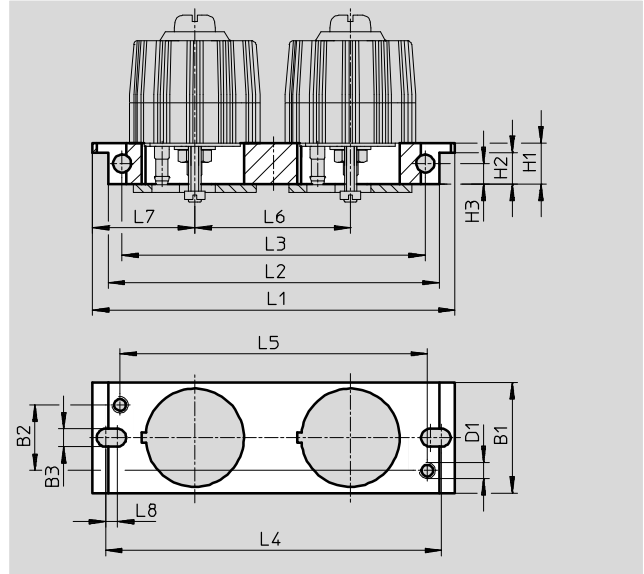
	Pneumatic connection		Standard nominal flow rate q _N at 6 bar → 5 bar In direction of flow control [l/min]	Standard flow rate q _n at 6 bar → 0 bar In direction of flow control [l/min]	Standard flow rate q _n at 1 bar → 0 bar In direction of flow control [l/min]	Weight [g]	Part No.	Type
	1	2						
Rotary knob with scale								
	G1/8	G1/8	40.7	60	19	110	542024	GRPO-70-1/8-AL
				75.8	129	38	110	542025
	PK-3	PK-3	3.8	5.2	1.65	48	13229	GRPO-10-PK-3
			40.7	60	19	48	10803	GRPO-70-PK-3
	PK-4	PK-4	75.8	129	38	48	13230	GRPO-160-PK-4

Precision flow control valves GRPO

Accessories

Mounting plates APL-2N-GRP
for precision flow control valve
GRPO-...-PK

Material: PA



Dimensions															
B1	B2	B3	D1	H1	H2	H3	L1	L2	L3	L4	L5	L6	L7	L8	
26.8	16	4.4	M4	10	7.7	5	88.5	80.8	74	81	75	38	25	2.3	

Ordering data			
	Bore \varnothing [mm]	Weight [g]	Part No. Type
	22	16	10391 APL-2N-GRP
	2 x 22	22	10392 APL-2N-GRPX2

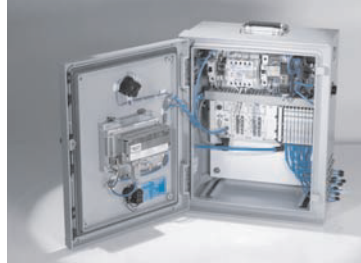
Product Range and Company Overview

A Complete Suite and Company Overview

Our experienced engineers provide complete support at every stage of your development process, including: conceptualization, analysis, engineering, design, assembly, documentation, validation, and production.



Custom Automation Components
Complete custom engineered solutions



Custom Control Cabinets
Comprehensive engineering support and on-site services



Complete Systems
Shipment, stocking and storage services

The Broadest Range of Automation Components

With a comprehensive line of more than 30,000 automation components, Festo is capable of solving the most complex automation requirements.



Electromechanical
Electromechanical actuators, motors, controllers & drivers



Pneumatics
Pneumatic linear and rotary actuators, valves, and air supply



PLCs and I/O Devices
PLC's, operator interfaces, sensors and I/O devices

Supporting Advanced Automation... As No One Else Can!

Festo is a leading global manufacturer of pneumatic and electromechanical systems, components and controls for industrial automation, with more than 16,000 employees in 60 national headquarters serving more than 180 countries. For more than 80 years, Festo has continuously elevated the state of manufacturing with innovations and optimized motion control solutions that deliver higher performing, more profitable automated manufacturing and processing equipment. Our dedication to the advancement of automation extends beyond technology to the education and development of current and future automation and robotics designers with simulation tools, teaching programs, and on-site services.

Quality Assurance, ISO 9001 and ISO 14001 Certifications

Festo Corporation is committed to supply all Festo products and services that will meet or exceed our customers' requirements in product quality, delivery, customer service and satisfaction.

To meet this commitment, we strive to ensure a consistent, integrated, and systematic approach to management that will meet or exceed the requirements of the ISO 9001 standard for Quality Management and the ISO 14001 standard for Environmental Management.

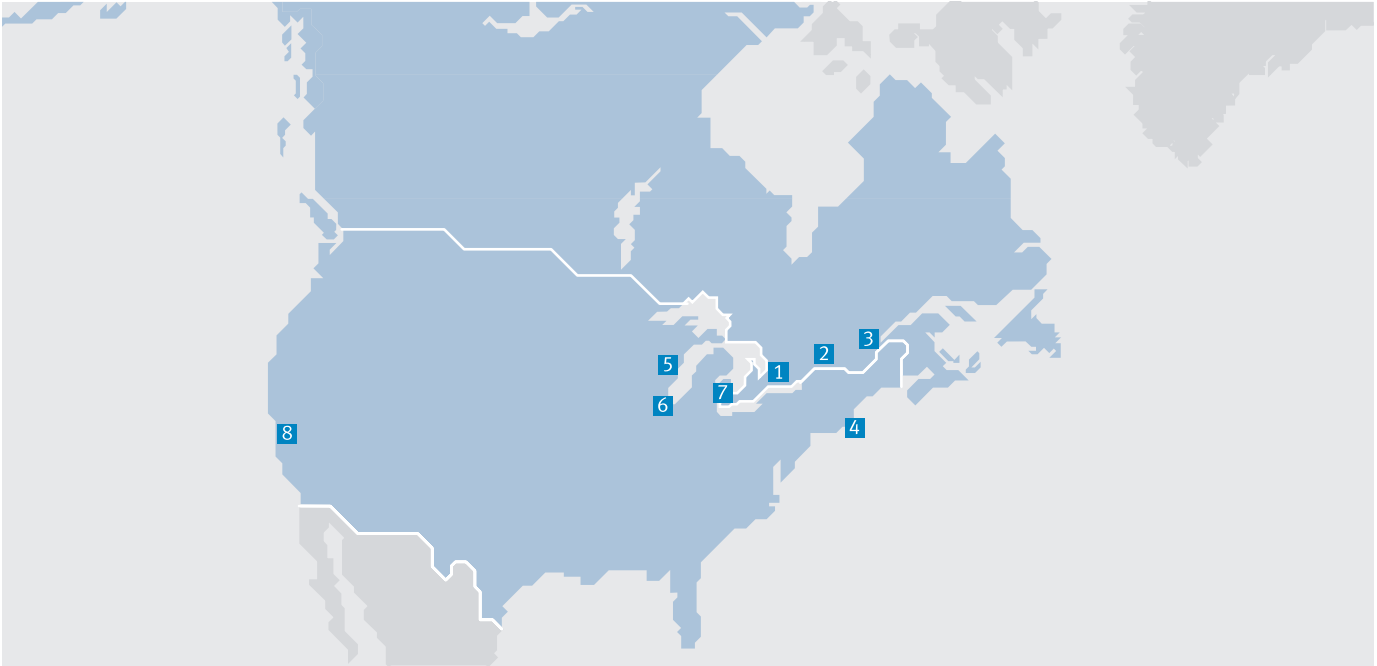


© Copyright 2013, Festo Corporation. While every effort is made to ensure that all dimensions and specifications are correct, Festo cannot guarantee that publications are completely free of any error, in particular typing or printing errors. Accordingly, Festo cannot be held responsible for the same. For Liability and Warranty conditions, refer to our "Terms and Conditions of Sale", available from your local Festo office. All rights reserved. No part of this publication may be reproduced, distributed, or transmitted in any form or by any means, electronic, mechanical, photocopying or otherwise, without the prior written permission of Festo. All technical data subject to change according to technical update.



Printed on recycled paper at New Horizon Graphic, Inc., FSC certified as an environmental friendly printing plant.

Festo North America



**1 Festo Canada
Headquarters
Festo Inc.**
5300 Explorer Drive
Mississauga, ON
L4W 5G4

2 Montréal
5600, Trans-Canada
Pointe-Claire, QC
H9R 1B6

3 Québec City
2930, rue Watt#117
Québec, QC
G1X 4G3



**4 Festo United States
Headquarters
Festo Corporation**
395 Moreland Road
Hauppauge, NY
11788

5 Appleton
North 922 Tower View Drive, Suite N
Greenville, WI
54942

7 Detroit
1441 West Long Lake Road
Troy, MI
48098

6 Chicago
85 W Algonquin - Suite 340
Arlington Heights, IL
60005

8 Silicon Valley
4935 Southfront Road, Suite F
Livermore, CA
94550

Festo Regional Contact Center

Canadian Customers

Commercial Support:
Tel: 1 877 GO FESTO (1 877 463 3786)
Fax: 1 877 FX FESTO (1 877 393 3786)
Email: festo.canada@ca.festo.com

Technical Support:
Tel: 1 866 GO FESTO (1 866 463 3786)
Fax: 1 877 FX FESTO (1 877 393 3786)
Email: technical.support@ca.festo.com

USA Customers

Commercial Support:
Tel: 1 800 99 FESTO (1 800 993 3786)
Fax: 1 800 96 FESTO (1 800 963 3786)
Email: customer.service@us.festo.com

Technical Support:
Tel: 1 866 GO FESTO (1 866 463 3786)
Fax: 1 800 96 FESTO (1 800 963 3786)
Email: product.support@us.festo.com