

Passive guide axes FDG, without drive



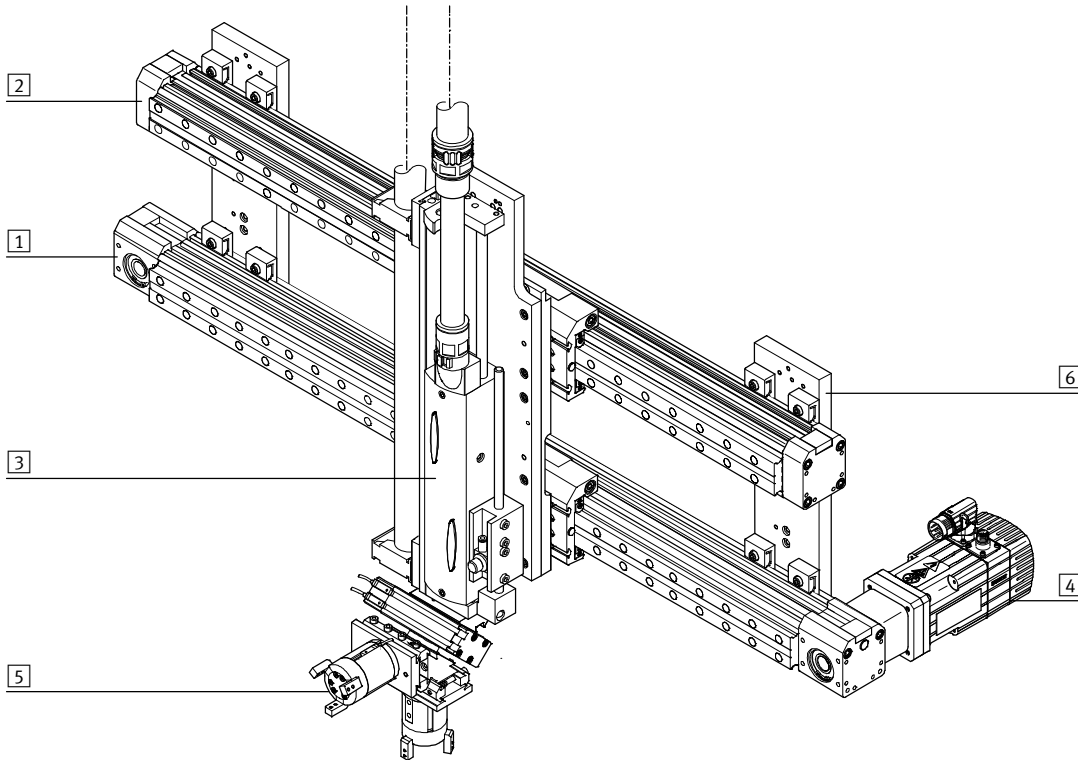
Passive guide axes FDG, without drive

Key features

At a glance

- Driveless linear guide unit with guide and freely movable slide
- The passive guide axis is designed to increase force and torque capacities in multi-axis applications
- Higher torsional resistance
- Reduced vibrations with dynamic loads
- Drive axis and passive guide axis can be arranged adjacent to or above one another

System product for handling and assembly technology



System components and accessories

	Description	→ Page/Internet	
1	Axes	Wide range of combinations possible within handling and assembly technology	axis
2	Passive guide axes	For increasing force and torque capacity in multi-axis applications	guide axis
3	Drives	Wide range of combinations possible within handling and assembly technology	drive
4	Motors	Servo and stepper motors, with or without gearing	motor
5	Grippers	Wide range of variations possible within handling and assembly technology	gripper
6	Adapters	For drive/drive and drive/gripper combinations	adapter kit

Passive guide axes FDG, without drive

Key features

Passive guide axes and the corresponding axes/drives

Passive guide axis ELFA-RF



- Can be combined with:
 - Toothed belt axis ELGA-TB-RF
- For size 70, 80
- Load capacity up to max. 800 N or 180 Nm

Passive guide axis EGC-FA



- Can be combined with:
 - Toothed belt axis EGC-TB
 - Spindle axis EGC-BS
- For size 70 ... 185
- Load capacity up to max. 15200 N or 1157 Nm

Passive guide axis DGC-FA



- Can be combined with:
 - Linear drive DGC-KF
- For size 8 ... 63
- Load capacity up to max. 15200 N or 1157 Nm

Passive guide axis FDG-ZR-RF



- Can be combined with:
 - Toothed belt axis DGE-ZR-RF
- For size 25 ... 63
- Load capacity up to max. 600 N or 600 Nm

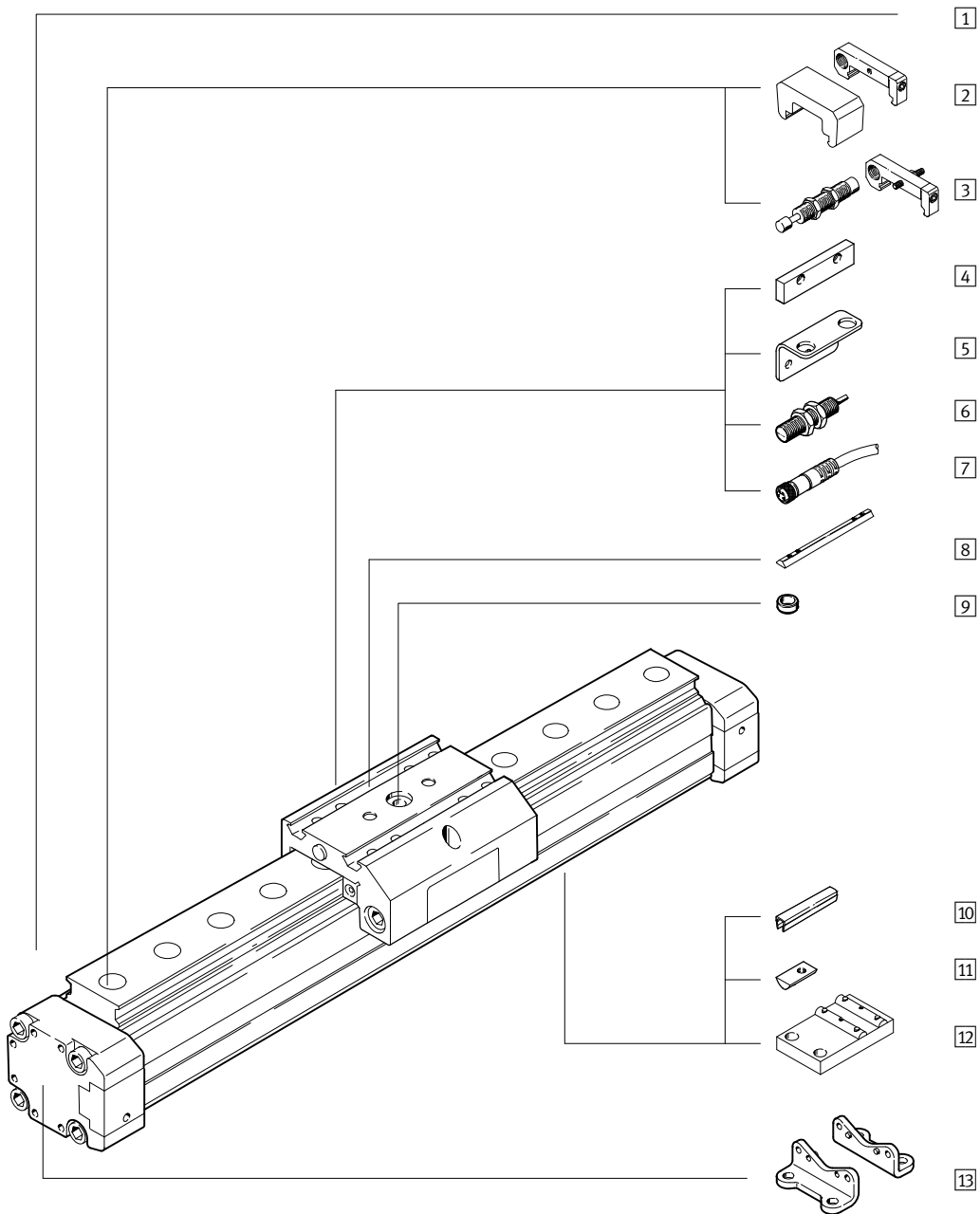
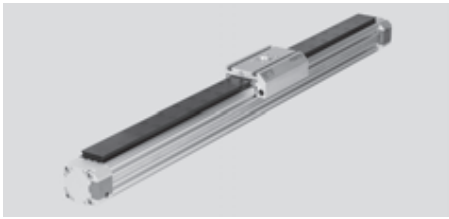
Passive guide axis FDG-ZR/-SP



- Can be combined with:
 - Toothed belt axis DGE-ZR-KF
 - Spindle axis DGE-SP-KF
- For size 18 ... 63
- Load capacity up to max. 14050 N or 1820 Nm

Passive guide axes FDG, without drive

Peripherals overview



Passive guide axes FDG, without drive

Peripherals overview

Variants and accessories		
Type	Description	→ Page/Internet
1 Passive guide axis FDG	Guide without drive	6
2 Emergency buffer with retainer A	Absorbs the energy created by the movement of the slide when it reaches the end position	22
3 Shock absorber kits C/E	Absorbs the energy created by the movement of the slide when it reaches the end position	21
4 Switching lug L	For sensing the slide position	23
5 Sensor bracket T	Adapter for mounting the SIEN proximity sensor on the axis	23
6 Proximity sensors O/P/R/W	For providing a proximity signal or safety check	25
7 Cable with socket V	For proximity sensor	25
8 Slot nut for slide X	For mounting loads and attachments on the slide	24
9 Centring sleeve Z	For centring loads and attachments on the slide	24
10 Slot cover B/S	To protect against the ingress of dirt	24
11 Slot nut for mounting slot Y	For mounting attachments	24
12 Central support M	To mount the axis	20
13 Foot mounting F	To mount the axis	20

Passive guide axes FDG, without drive

Type codes

		FDG	-	25	-	500	-	ZR	-	KF	-	GK	-	
Type														
FDG	Guide unit without drive													
Size														
Stroke [mm]														
Passive guide axis														
ZR	For toothed belt axis DGE-ZR-KF													
SP	For spindle drive DGE-SP-KF													
Guide														
KF	Recirculating ball bearing guide													
Slide														
GK	Standard slide													
GV	Extended slide													
GA	Protected version													
Additional slide														
KL	Left													
KR	Right													

Passive guide axes FDG, without drive

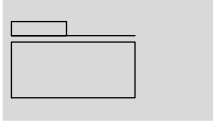
Type codes



→	ZUB	-	2S			F		2E	Z	2T	2L	20	2V
Accessories													
ZUB	Accessories supplied loose												
Slot cover													
...S	Sensor slot												
...B	Mounting slot												
Slot nut													
...Y	For mounting slot												
...X	For slide												
Central support													
...M	Central support												
Foot mounting													
...F	Foot mounting												
Emergency buffer and retainer													
...A	Emergency buffer and retainer												
Shock absorber kit													
...C	And retainer for GK/GV												
...E	For GA												
Centring sleeve													
...Z	Centring sleeve												
Sensor bracket													
...T	For inductive proximity sensors												
Switch lug													
L	Switch lug												
Proximity sensors													
...O	NO contact, cable												
...P	NC contact, cable												
...W	NO contact, plug												
...R	NC contact, plug												
Cable with socket													
V	2.5 m												

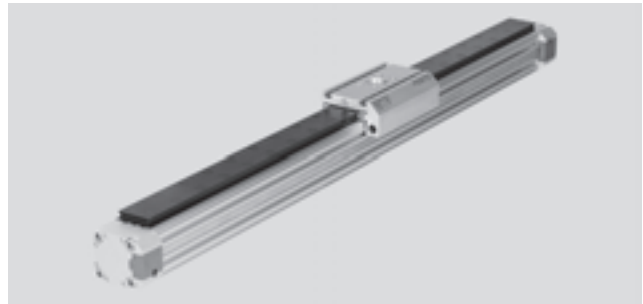
Passive guide axes FDG, without drive

Technical data

Function



-  Size
18 ... 63
-  Stroke length
100 ... 5100 mm
-  www.festo.com



General technical data						
Size			18	25	40	63
Max. stroke	FDG-ZR	[mm]	1 ... 1000	1 ... 5100	1 ... 4900	1 ... 4700
	FDG-SP	[mm]	1 ... 500	1 ... 1000	1 ... 1500	1 ... 2000
Design	Driveless linear guide unit with slide					
Guide	External recirculating ball bearing guide					
Fitting position	Any					
Cushioning	Not adjustable at either end					
	Self-adjusting at both ends					
Type of mounting	Profile mounting					
	Foot mounting					
	Direct mounting					
Increase in no-load drive torque	for DGE-...-ZR by	[Nm]	0.005	0.02	0.03	0.085
	for DGE-SP by	[Nm]	0.04	0.1	0.15	0.45
Thrust ¹⁾		[N]	5	10	9	16
Ambient temperature		[°C]	-10 ... +60			

1) Measured at FDG-18 = 0.05 m/s; FDG-25... 63 = 0.2m/s

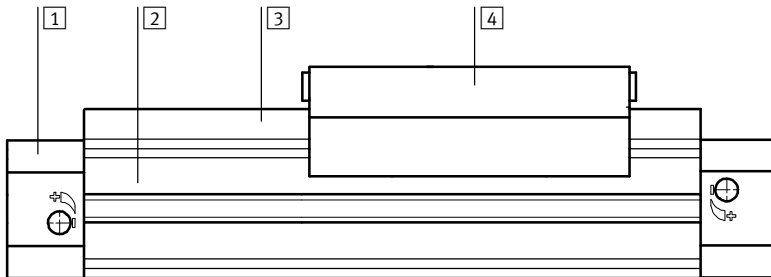
Weights [kg]						
Size			18	25	40	63
FDG-ZR						
Basic weight at 0 mm stroke	GK		0.879	2.022	6.055	21.493
	GV		1.341	2.927	7.939	31.464
	GA		-	2.931	8.128	-
Additional weight per 100 mm stroke	GK		0.274	0.479	0.968	2.423
	GV		0.274	0.479	0.968	2.423
	GA		-	0.570	1.092	-
FDG-SP						
Basic weight at 0 mm stroke	GK		0.743	1.482	4.296	13.454
	GV		1.232	2.530	7.678	25.847
	GA		-	2.459	6.798	-
Additional weight per 100 mm stroke	GK		0.274	0.479	0.968	2.423
	GV		0.274	0.479	0.968	2.423
	GA		-	0.570	1.092	-

Passive guide axes FDG, without drive

Technical data

Materials

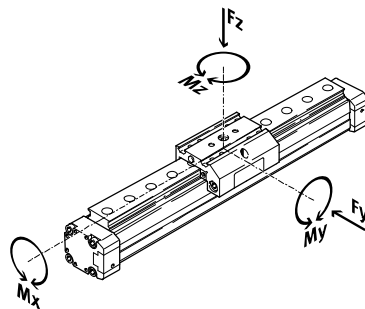
Sectional view



Axis		
1	End cap	Anodised aluminium
2	Profile	Anodised aluminium
3	Guide rail	∅ 18
		∅ 25 ... 63
		Hardened steel
		Hardened steel with corrosion resistant coating
4	Slide	Anodised aluminium
	Note on material	Free of copper and PTFE

Characteristic load values

The forces and torques specified refer to the centre of the guide rails. They must not be exceeded during dynamic operation. Special attention must be paid to the cushioning phase.



If the axis is simultaneously subjected to several of the forces and torques listed below, the following equations must be satisfied in addition to the indicated maximum loads.

$$\frac{F_y}{F_{y_{max}}} + \frac{F_z}{F_{z_{max}}} + \frac{M_x}{M_{x_{max}}} + \frac{M_y}{M_{y_{max}}} + \frac{M_z}{M_{z_{max}}} \leq 1$$

Permissible forces and torques					
Size		18	25	40	63
GK/GA – standard slide/protected slide					
F _y _{max.}	[N]	930	380	7300	14050
F _z _{max.}	[N]	930	3080	7300	14050
M _x _{max.}	[Nm]	7	45	170	580
M _y _{max.}	[Nm]	23	85	330	910
M _z _{max.}	[Nm]	23	85	330	910
GV – extended slide					
F _y _{max.}	[N]	930	3080	7300	14050
F _z _{max.}	[N]	930	3080	7300	14050
M _x _{max.}	[Nm]	7	45	170	580
M _y _{max.}	[Nm]	45	170	660	1820
M _z _{max.}	[Nm]	45	170	660	1820

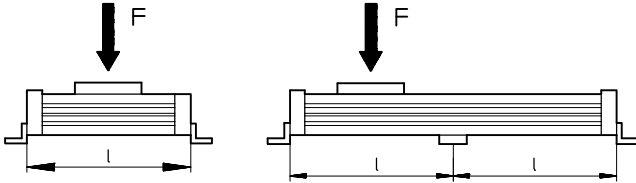
Passive guide axes FDG, without drive

Technical data

Maximum permissible support span l as a function of the force F

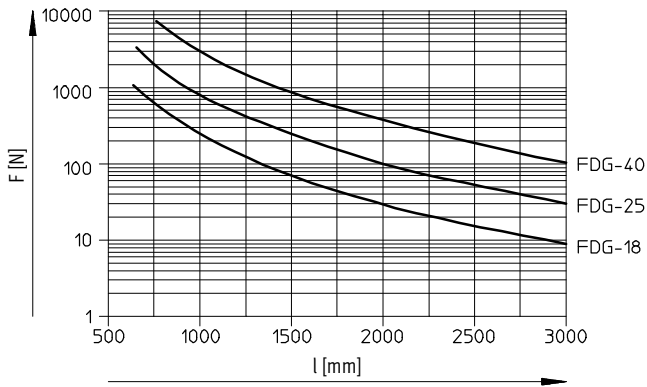
The axis may need to be supported with central supports MUP in order to limit deflection in the case of large strokes. The following diagrams serve to determine the maximum permissible support span l as a function of the force F .

Force on the surface of the slide

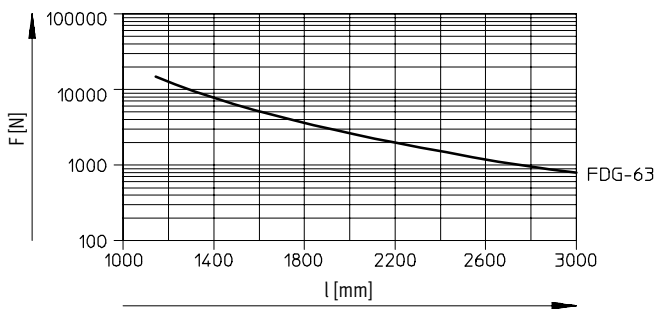


Maximum permissible support span l (without central support) as a function of the force F

Size 18...40



Size 63



Passive guide axes FDG, without drive

Technical data



Dimensions Download CAD data → www.festo.com

Standard slide GK

Size 18-...

3 Mounting hole for foot mounting HP
5 Hole for centring ZBS-5
 + = plus stroke length

Extended slide GV

Size 18

8 Shock absorber retainer KYP
9 Emergency buffer NPE
 + = plus stroke length

Size	B1	B4	B5	B6	B7	B8	D2 ∅	D6	D10
18	34	28	7	24	32	50,5	3	M5	M4

Size	D14 ∅ H7	D15	H4	H5	H7	H11	L3	L17	L19 ±0,1
18	5	M5	14	17	57	4,3	15,5	85	78

Size	L21 ±0,03	L22 ±0,1	L23 ±0,1	T1	T2	T4 max.	T8	T9	W1
18	20	10	20	11	2	14	9	3	45 °

Type	L1		L2	
	GK	GV	GK	GV
FDG-18-...-ZR-...	221	301	110,5	150,5
FDG-18-...-SP-...	171	261	92	132

Passive guide axes FDG, without drive

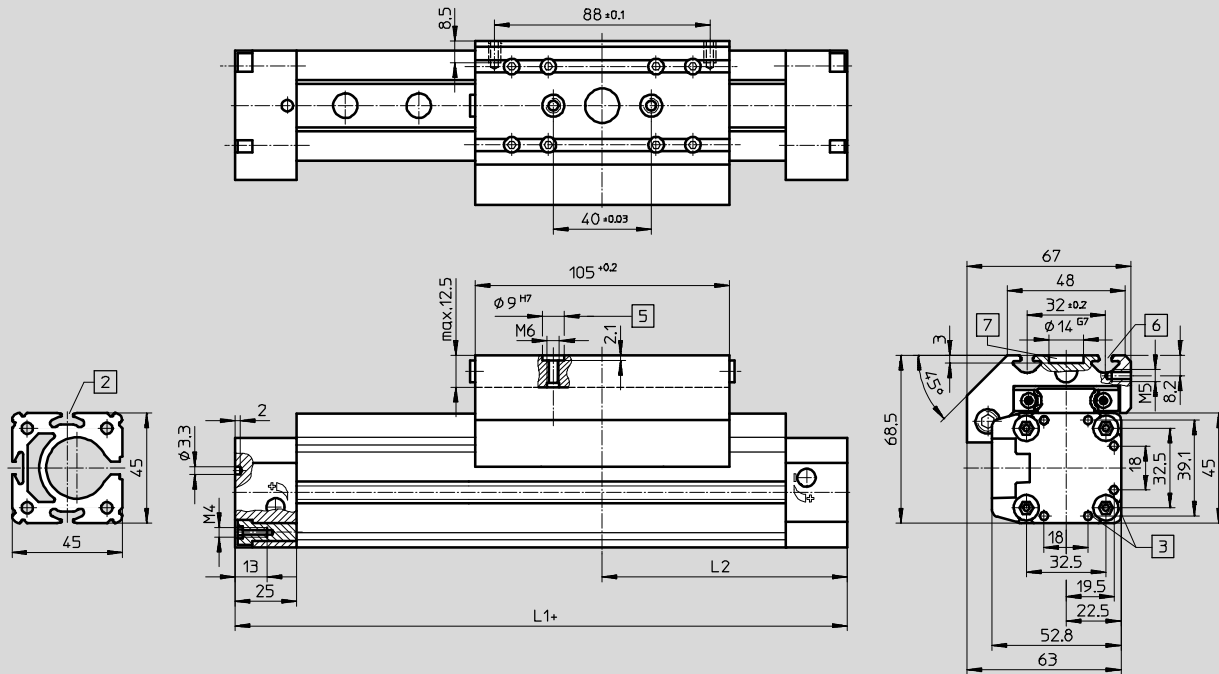
Technical data

Dimensions

Download CAD data → www.festo.com

Standard slide GK

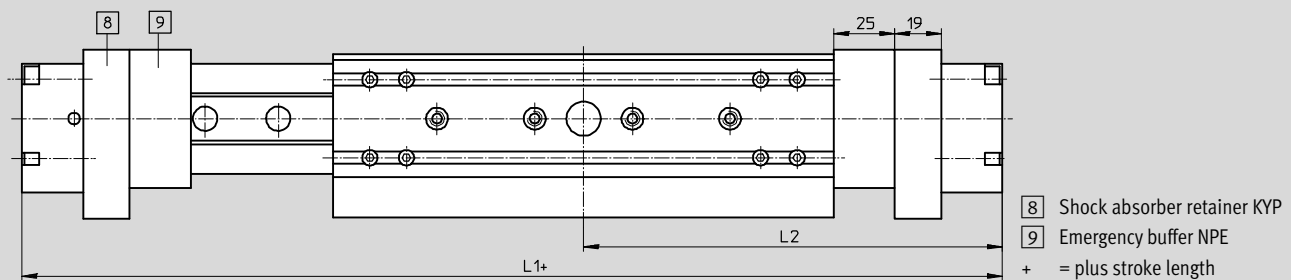
Size 25



- 3 Mounting hole for foot mounting HP
- 5 Hole for centring sleeve ZBH-9
- 6 Mounting slot for slot nut NSTL + = plus stroke length
- 7 Drilled hole for central mounting SLZZ

Extended slide GV

Size 25



- 8 Shock absorber retainer KYP
- 9 Emergency buffer NPE
- + = plus stroke length

Passive guide axes FDG, without drive

Technical data

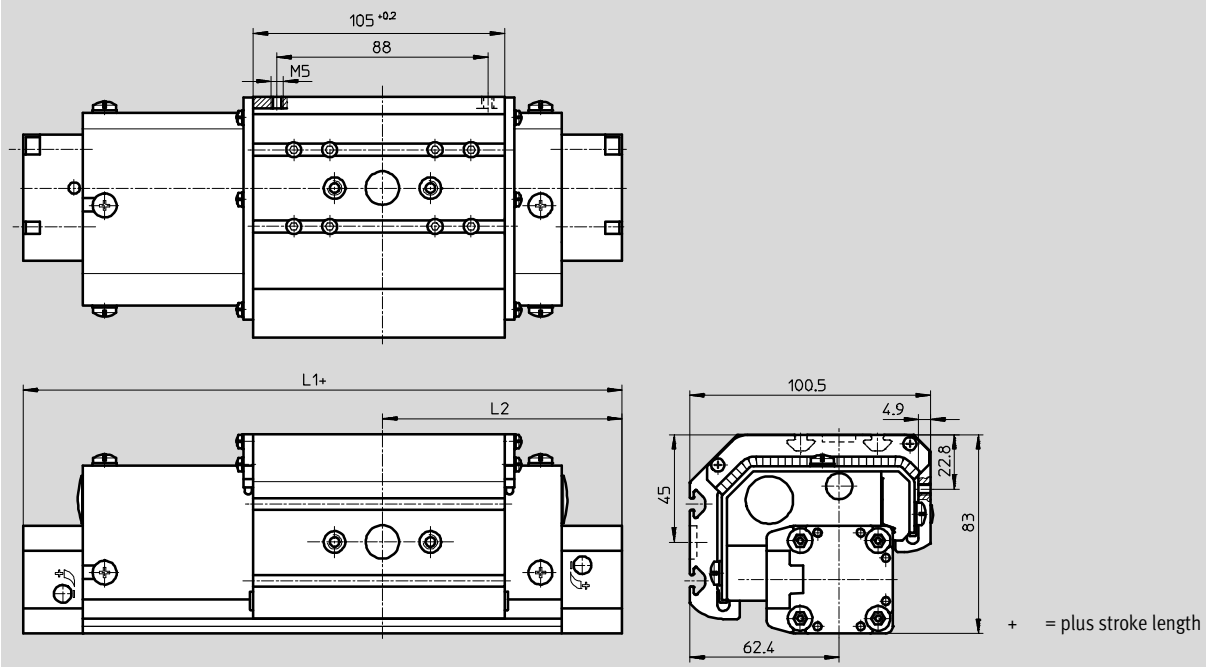
FESTO

Dimensions

Download CAD data → www.festo.com

Protected version GA

Size 25



Size	B1	B4	B5	B6	B7	B8	B9	D2	D6	D10
25	45	39,1	18	32,5	48	67	±0,2	∅ 3,3	M4	M5

Size	D11	D14	D15	H1	H3	H4	H5	H7	H11	L3
25	∅ 14 G7	∅ 9 H7	M6	52,8	63	19,5	22,5	68,5	8,2	25

Size	L17	L19	L21	T1	T2	T4	T7	T8	T9	W1
25	±0,2	±0,1	±0,1	±0,03	2	max. 12,5	3	8,5	±0,1	45 °

Type	L1			L2		
	GK	GV	GA	GK	GV	GA
FDG-25-...-ZR-...	326	426	326	163	213	163
FDG-25-...-SP-...	213	343	243	101.5	171.5	121.5

Passive guide axes FDG, without drive

Technical data

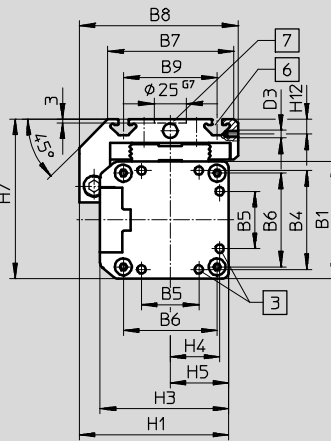
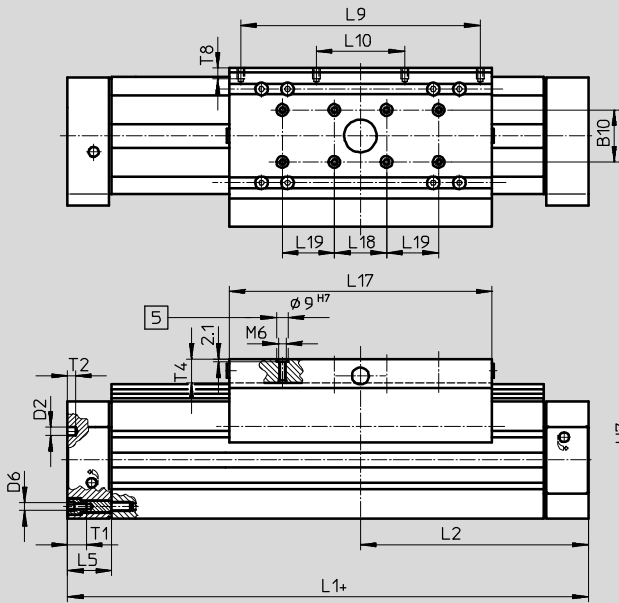
FESTO

Dimensions

Download CAD data → www.festo.com

Standard slide GK

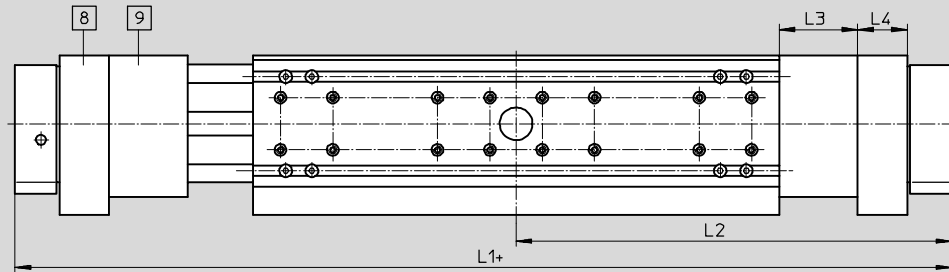
Size 40, 63



- 3 Mounting hole for foot mounting HP
- 5 Hole for centring sleeve ZBH-9
- 6 Mounting slot for slot nut NSTL
- 7 Drilled hole for central mounting SLZZ
- + = plus stroke length

Extended slide GV

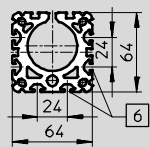
Size 40, 63



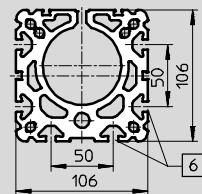
- 8 Shock absorber retainer KYP
- 9 Emergency buffer NPE
- + = plus stroke length

Profile barrel

Size 40



Size 63



- 6 Mounting slot for slot nut NST

Passive guide axes FDG, without drive

Technical data

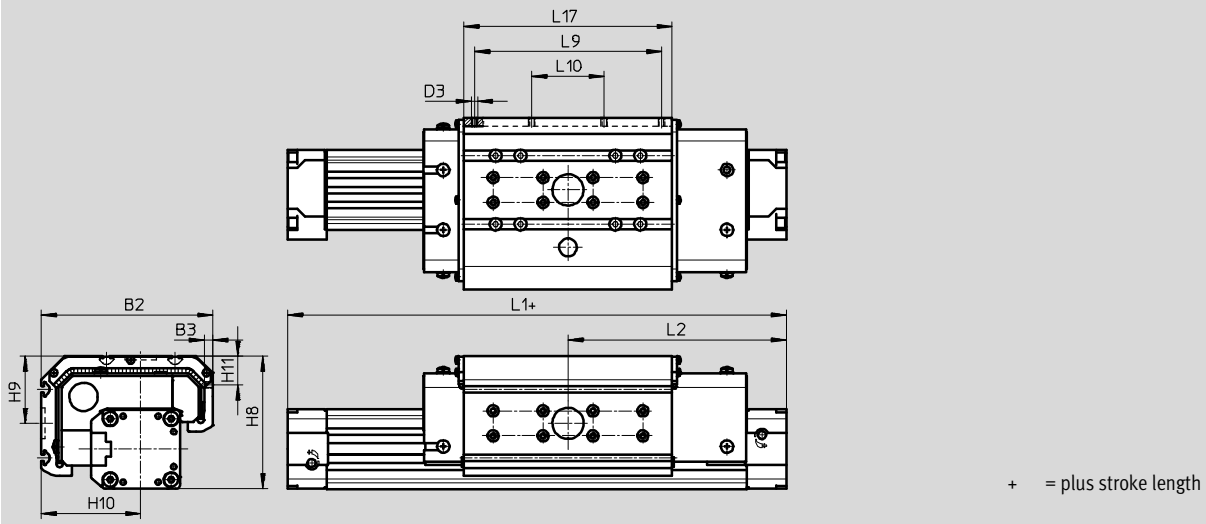
FESTO

Dimensions

Download CAD data → www.festo.com

Protected version GA

Size 40



Size	B1	B2	B3	B4	B5	B6	B7	B8	B9	B10	B13
									±0,2		
40	64	137,6	7	53	28	49	78,5	96,5	55	20	24
63	106	-	-	89	44	83	121	142	90	40	50

Size	D2 ∅	D3	D6	D11 G7	D14 H7	D15	H1	H2	H3	H4	H5
40	4,3	M5	M5	25	9	M6	86	78	71,8	26,5	32
63	6,3	M8	M8	25	9	M6	131	122	115	44,5	53

Size	H7	H8	H9	H10	H11	H12	L3	L4	L5	L9	L10
										±0,1	±0,1
40	90,5	106,6	54	79,6	23,1	7	40	32	31	150	58
63	144,5	-	-	-	-	12,5	63	44	34	200	72

Size	L17	L18	L19	L20	L21	T1	T2	T4	T7	T8	T9	W1
	±0,2	±0,03	±0,03		±0,1			max.			±0,1	
40	167	40	40	337	40	13,2	4	12,5	3	8,5	2,1	45°
63	230	40	40	480	120	21,2	6	20,5	3	10,5	2,1	45°

Type	L1			L2		
	GK	GV	GA	GK	GV	GA
FDG-40-...-ZR-...-	497	667	497	248.5	333.5	248.5
FDG-63-...-ZR-...-	738	988	-	369	494	-
FDG-40-...-SP-...-	315	545	375	153	271.5	186.5
FDG-63-...-SP-...-	406	756	-	198	378	-

Passive guide axes FDG, without drive

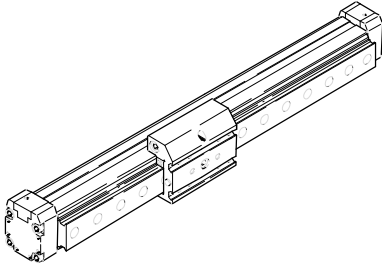
Ordering data – Modular product system



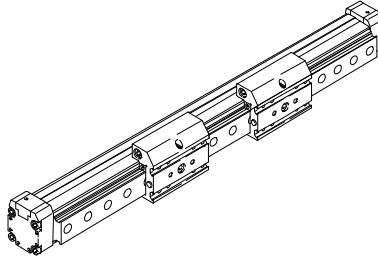
Order code

Mandatory data/Options

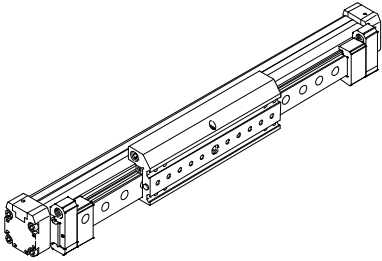
Standard slide GK



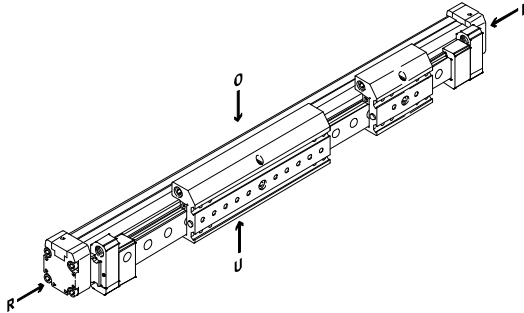
Standard slide plus additional slide GK-KL/-KR



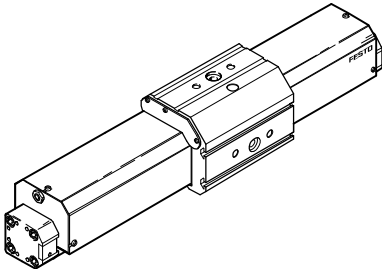
Extended slide GV



Extended slide plus additional slide GK-KL/-KR



Dust-proof version GA



-  - Note

O = top

R = right

U = underneath

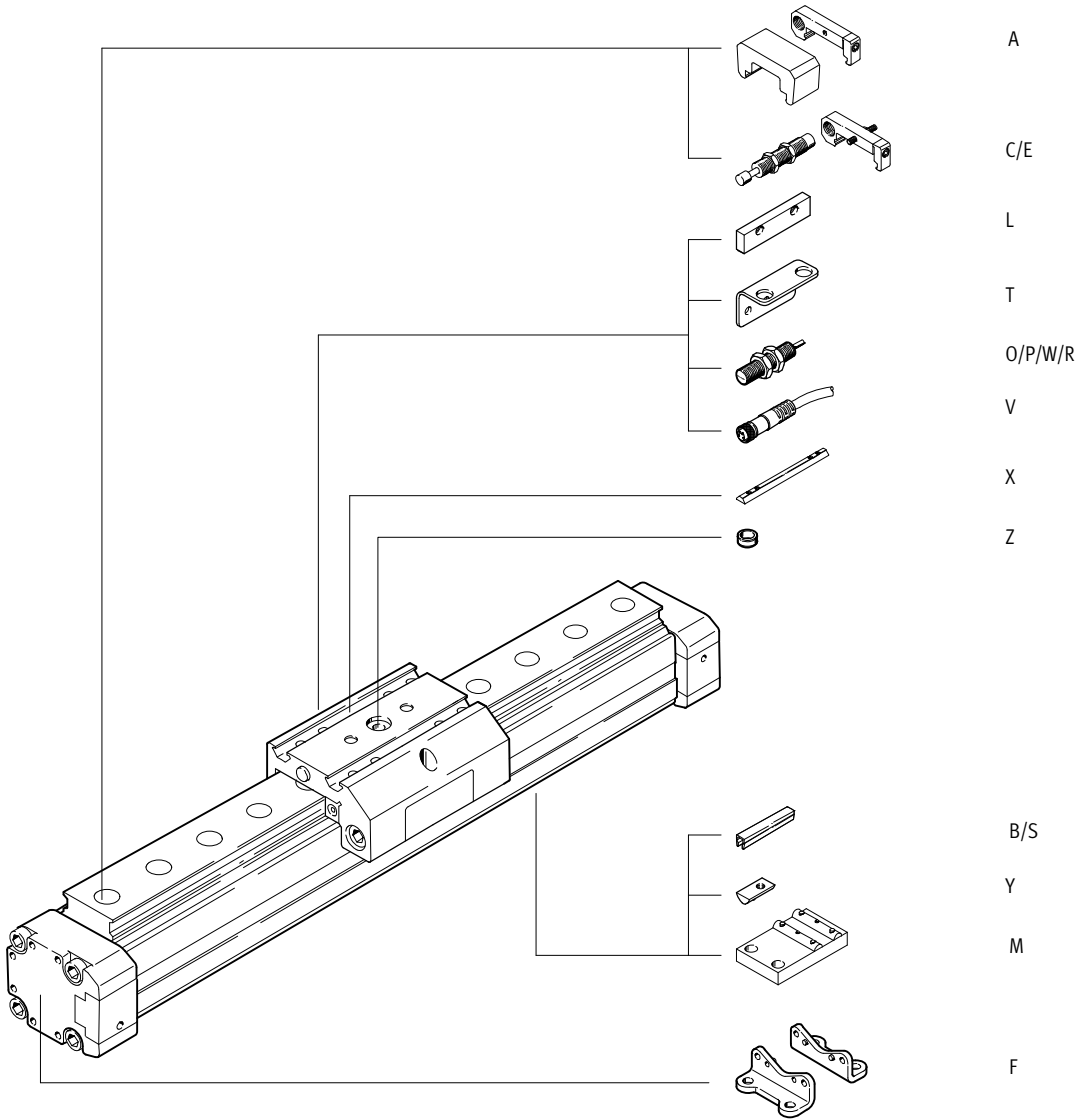
L = left

Passive guide axes FDG, without drive

Ordering data – Modular product system

Order code

Options



Passive guide axes FDG, without drive

Ordering data – Modular product system



Ordering table							
Size	18	25	40	63	Condi- tions	Code	Enter code
M Module No.	192850	192851	192853	192855			
Drive function	Guide unit without drive					FDG	FDG
Size	18	25	40	63		-...	
Stroke [mm] with ZR (as for corresponding drive axis)	1 ... 1700	1 ... 5100	1 ... 4900	1 ... 4700		-...	
	with SP 1 ... 500	1 ... 1000	1 ... 1500	1 ... 2000			
Passive guide axis	for DGE-ZR	DGE-ZR	DGE-ZR	DGE-ZR		-ZR	
	for DGE-SP	DGE-SP	DGE-SP	DGE-SP		-SP	
Guide	Recirculating ball bearing guide					-KF	-KF
Slide	Standard					-GK	
	Extended					-GV	
	Maximum stroke [mm]						
	with ZR	(920)	(5000)	(4730)	(4450)		
	with SP	(410)	(870)	(1270)	(1650)		
		Protected version			-	1	-GA
	Maximum stroke [mm]						
with ZR	-	(1800)	(1800)	-			
with SP	-	(970)	(1440)	-			
O Additional slide	Standard slide left				2	-KL	
↓	Standard slide right				2	-KR	

1 GA Not with accessories T, L, O, P, W, R.

2 KL, KR Only with slide GK or GV.

M Mandatory data

O Options

Transfer order code

Passive guide axes FDG, without drive

Ordering data – Modular product system

Ordering table									
Size		18	25	40	63	Condi- tions	Code	Enter code	
↓	Accessories	Supplied separately						ZUB-	ZUB-
⓪	Slot cover	Sensor slot	1 ... 10				...S		
		Mounting slot	–	–	1 ... 10		...B		
	Slot nut	for mounting slot	1 ... 10				...Y		
		for slide	–	1 ... 10			...X		
	Central support	1 ... 10					...M		
	Foot mounting (kit)	1 ... 10					...F		
	Emergency buffer and retainer	1 ... 2	1 ... 2	1 ... 2	1 ... 2	[3]	...A		
		Effective stroke reduction [mm] with emergency buffer at both ends (10) (30) (60) (100)							
	Shock absorber and retainer	1 ... 2				[4]	...C		
		for dust-proof version	–	1 ... 2		–	[5]	...E	
	Centring sleeve (pack of 10)	10, 20, 30, 40, 50, 60, 70, 80, 90					...Z		
	Sensor bracket	1 ... 5		1 ... 5	1 ... 5		...T		
	Switching lug	1		1	1		L		
	Inductive proximity sensor	NO contact, cable	1 ... 5		1 ... 5	1 ... 5	...O		
		NC contact, cable	1 ... 5		1 ... 5	1 ... 5	...P		
		NO contact, plug	1 ... 5		1 ... 5	1 ... 5	...W		
		NC contact, plug	1 ... 5		1 ... 5	1 ... 5	...R		
	Cable with socket, 2.5 m	1 ... 5		1 ... 5	1 ... 5		...V		

[3] A Mounted as standard for slides GV, GA.
[4] C Only with slides GK and GV.

[5] E Only with slide GA

[M] Mandatory data
[O] Options

Transfer order code

ZUB –

Passive guide axes FDG, without drive

Accessories

FESTO

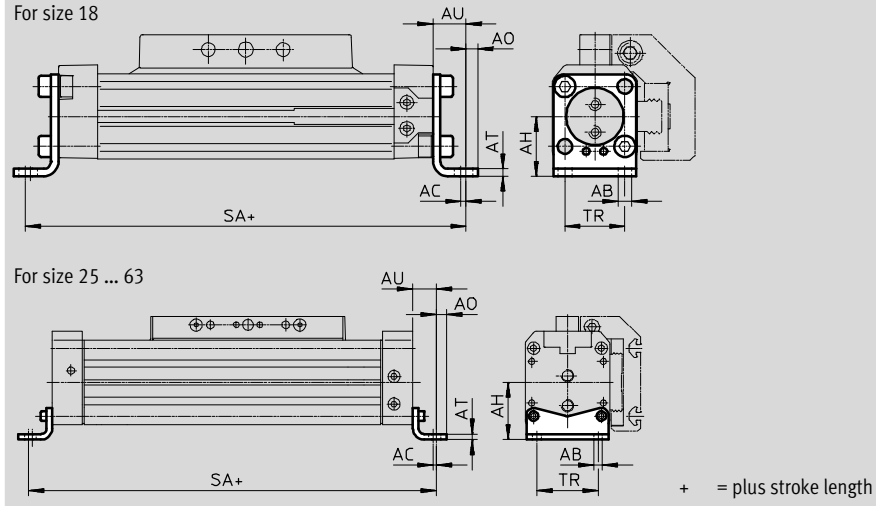
Foot mounting HP (Order code: F)

Material:
Galvanised steel

Free of copper and PTFE



HP-25

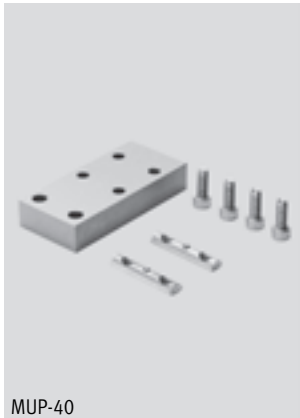


Dimensions and ordering data												
For size	AB Ø	AC	AH	AO	AT	AU	SA	TR	Weight [g]	Part No.	Type	
18	5.5	2	24	4.8	3	13.2	176	24	70	158472	HP-18	
25	5.5	2	29.5	6	3	13	226	32.5	61	150731	HP-25	
40	6.6	2	46	8.5	5	17.5	335	45	188	150733	HP-40	
63	11	3	69	13.5	6	28	456	75	305	150735	HP-63	

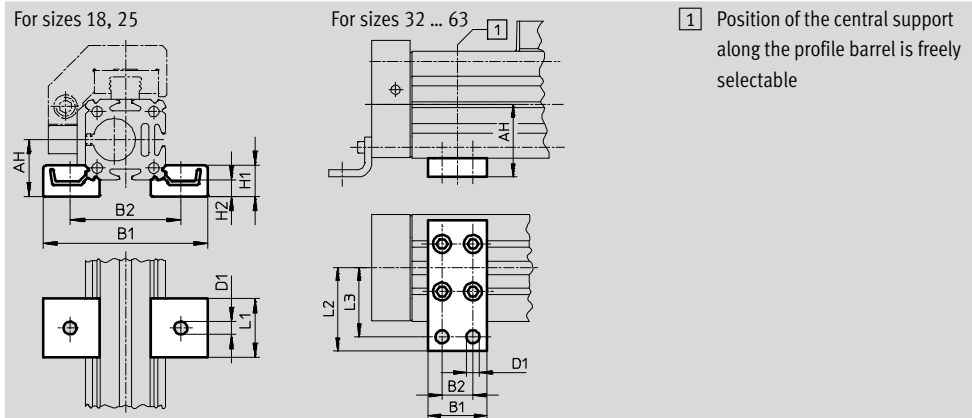
Central support MUP (Order code: M)

Material:
Anodised aluminium

Free of copper and PTFE



MUP-40



Dimensions and ordering data												
For size	AH	B1	B2	D1 Ø	H1	H2	L1	L2	L3	Weight [g]	Part No.	Type
18	24	70.5	47	5.5	13	7	25	-	-	33	150736	MUP-18/25
25	29.5	81	58	5.5	13	7	25	-	-	33	150736	MUP-18/25
40	46	35	22	6.6	-	-	-	47	40	126	150738	MUP-40
63	69	50	26	11	-	-	-	77	65	340	150800	MUP-63

Passive guide axes FDG, without drive

Accessories

Shock absorber YSR-...-C
(Order code: C)

Material:
Housing: Galvanised steel; piston rod:
high-alloy steel,
Seals: NBR, PUR
Free of copper and PTFE

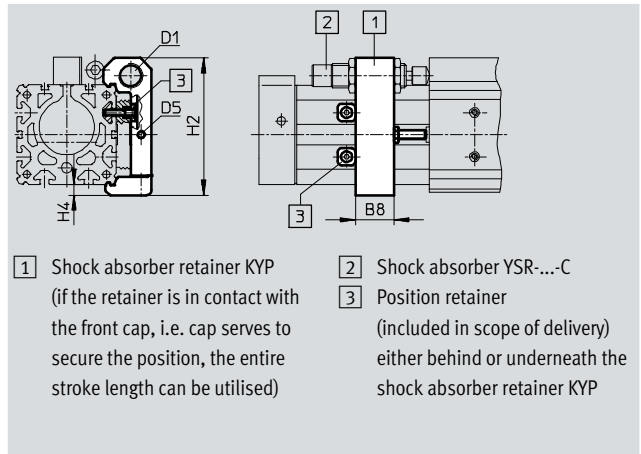


Note
Shock absorber YSRW with
progressive characteristic
→ Internet: ysrw

Ordering data			
For size	Weight [g]	Part No.	Type
18	30	34571	YSR-8-8-C
25	70	34572	YSR-12-12-C
40	140	34573	YSR-16-20-C
63	240	34574	YSR-20-25-C

Shock absorber retainer KYP
(Order code: C)

Material:
Retainer: Aluminium
Sleeve: Steel, corrosion resistant



Dimensions and ordering data								
For size	B8	D1	D5	H2	H4	Weight [g]	Part No.	Type
18	14	M12x1	M4	50.5	4.5	66	158907	KYP-18
25	19	M16x1	M5	69.5	6	95	158908	KYP-25
40	32	M22x1.5	M5	102	8	209	158910	KYP-40
63	44	M26x1.5	M10	152.5	11.5	609	158912	KYP-63

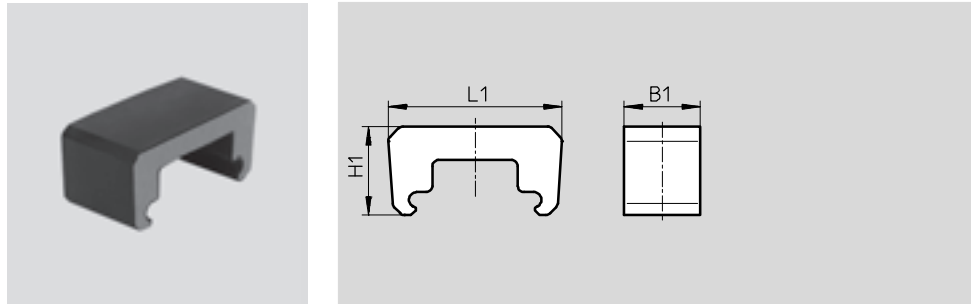
Passive guide axes FDG, without drive

Accessories


FESTO

Emergency buffer NPE (Order code: A)

Material:
PUR



Dimensions and ordering data						
For size	B1	L1	H1	Weight [g]	Part No.	Type
18	15	43.1	28.5	6	193901	NPE-18
25	25	57	29	12	193902	NPE-25
40	40	80.5	36	41	193904	NPE-40
63	60	128.6	55	152	193906	NPE-63

 Note
The emergency buffer can only be used in conjunction with shock absorber retainer KYP. →21
(A threaded pin and nut are not required.)

Shock absorber DG-GA for protected version GA (Order code: E)

Material:
Housing: Galvanised steel; piston rod:
high-alloy steel
Seals: NBR, PUR
Free of copper and PTFE



Ordering data			
For size	Weight [g]	Part No.	Type
25	70	192875	DG-GA-25-YSR
40	140	192877	DG-GA-40-YSR

Passive guide axes FDG, without drive

Accessories

Sensor bracket HWS

For inductive proximity sensors

(Order code: T)

Material:

Galvanised steel

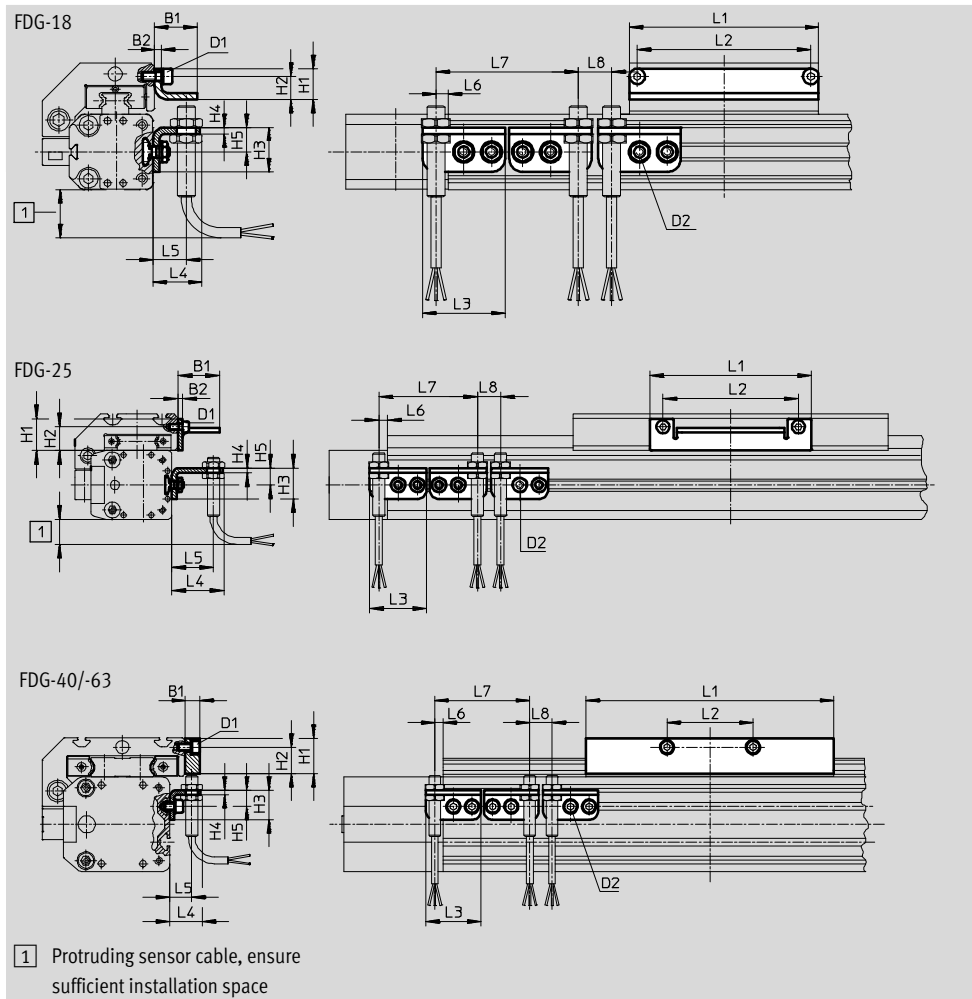


Switching lug SF

(Order code: L)

Material:

Galvanised steel




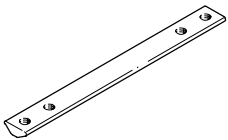

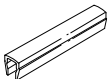
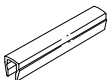
Dimensions and ordering data											
For size	D1	D2	B1	B2	H1	H2	H3	H4	H5	L1	L2
18	M4	M5	19	3	14	10.5	20	3	11	85	78
25	M5	M5	27	3	20.5	15.3	20	3	11	105	88
40	M5	M5	10	-	24	18	20	3	11	167	58
63	M8	M5	10	-	35	25	20	3	11	230	72

For size	L3	L4	L5	L6 max.	L7 min.	L8 min.	Weight [g]	Part No.	Type
18	37	22.5	15	5.5	64	15	30	188968	HWS-18/25-M8
							60	188964	SF-18
25	37	34.5	27	5.5	64	15	30	540780	HWS-25-MAB-M8
							80	540430	SF-25-MAB
40	37	22.5	15	5.5	64	15	40	188969	HWS-40-M8
							310	188966	SF-40
63	37	22.5	15	5.5	64	15	40	188970	HWS-63-M8
							630	188967	SF-63

Passive guide axes FDG, without drive

Accessories

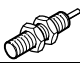
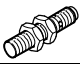
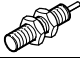

FESTO

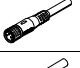

Ordering data						
	For size	Remarks	Order code	Part No.	Type	PU ¹⁾
Slot nut NST Technical data → Internet: nst						
	18, 25	For mounting slot	Y	526091	NST-HMV-M4	10
	40			150914	NST-5-M5	1
	63			150915	NST-8-M6	1
Slot nut NSTL Technical data → Internet: nstl						
	25	For slide	X	158410	NSTL-25	1
	40			158412	NSTL-40	1
	63			158414	NSTL-63	1
Centring pin/sleeve ZBS/ZBH Technical data → Internet: zbs, zbh						
	18	For slide	Z	150928	ZBS-5	10
	25 ... 63			150927	ZBH-9	10
Slot cover ABP Technical data → Internet: abp						
	40	For mounting slot	B	151681	ABP-5	2
	63	0.5 m each		151682	ABP-8	
Slot cover ABP-S Technical data → Internet: abp						
	18 ... 63	For sensor slot 0.5 m each	S	151680	ABP-5-S	2

1) Packaging unit quantity

Passive guide axes FDG, without drive

Accessories

Ordering data – Inductive proximity sensors M8						Technical data → Internet: sien	
	Electrical connection		Switch output	LED	Cable length [m]	Part No.	Type
	Cables	M8 plug					
NO contact							
	3-wire	–	PNP	■	2.5	150386	SIEN-M8B-PS-K-L
	–	3-pin	PNP	■	–	150387	SIEN-M8B-PS-S-L
NC contact							
	3-wire	–	PNP	■	2.5	150390	SIEN-M8B-PO-K-L
	–	3-pin	PNP	■	–	150391	SIEN-M8B-PO-S-L

Ordering data – Connecting cables					Technical data → Internet: nebu		
	Electrical connection, left		Electrical connection, right		Cable length [m]	Part No.	Type
		Straight socket, M8x1, 3-pin		Cable, open end, 3-wire			
					5.0	541334	NEBU-M8G3-K-5-LE3
	Angled socket, M8x1, 3-pin		Cable, open end, 3-wire		2.5	541338	NEBU-M8W3-K-2.5-LE3
					5.0	541341	NEBU-M8W3-K-5-LE3

Product Range and Company Overview

A Complete Suite and Company Overview

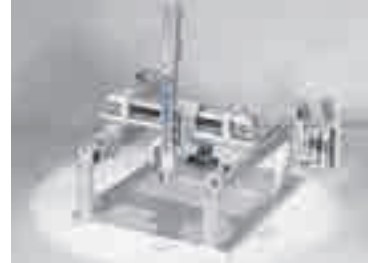
Our experienced engineers provide complete support at every stage of your development process, including: conceptualization, analysis, engineering, design, assembly, documentation, validation, and production.



Custom Automation Components
Complete custom engineered solutions



Custom Control Cabinets
Comprehensive engineering support and on-site services



Complete Systems
Shipment, stocking and storage services

The Broadest Range of Automation Components

With a comprehensive line of more than 30,000 automation components, Festo is capable of solving the most complex automation requirements.



Electromechanical
Electromechanical actuators, motors, controllers & drivers



Pneumatics
Pneumatic linear and rotary actuators, valves, and air supply



PLCs and I/O Devices
PLC's, operator interfaces, sensors and I/O devices

Supporting Advanced Automation... As No One Else Can!

Festo is a leading global manufacturer of pneumatic and electromechanical systems, components and controls for industrial automation, with more than 16,000 employees in 60 national headquarters serving more than 180 countries. For more than 80 years, Festo has continuously elevated the state of manufacturing with innovations and optimized motion control solutions that deliver higher performing, more profitable automated manufacturing and processing equipment. Our dedication to the advancement of automation extends beyond technology to the education and development of current and future automation and robotics designers with simulation tools, teaching programs, and on-site services.

Quality Assurance, ISO 9001 and ISO 14001 Certifications

Festo Corporation is committed to supply all Festo products and services that will meet or exceed our customers' requirements in product quality, delivery, customer service and satisfaction.

To meet this commitment, we strive to ensure a consistent, integrated, and systematic approach to management that will meet or exceed the requirements of the ISO 9001 standard for Quality Management and the ISO 14001 standard for Environmental Management.

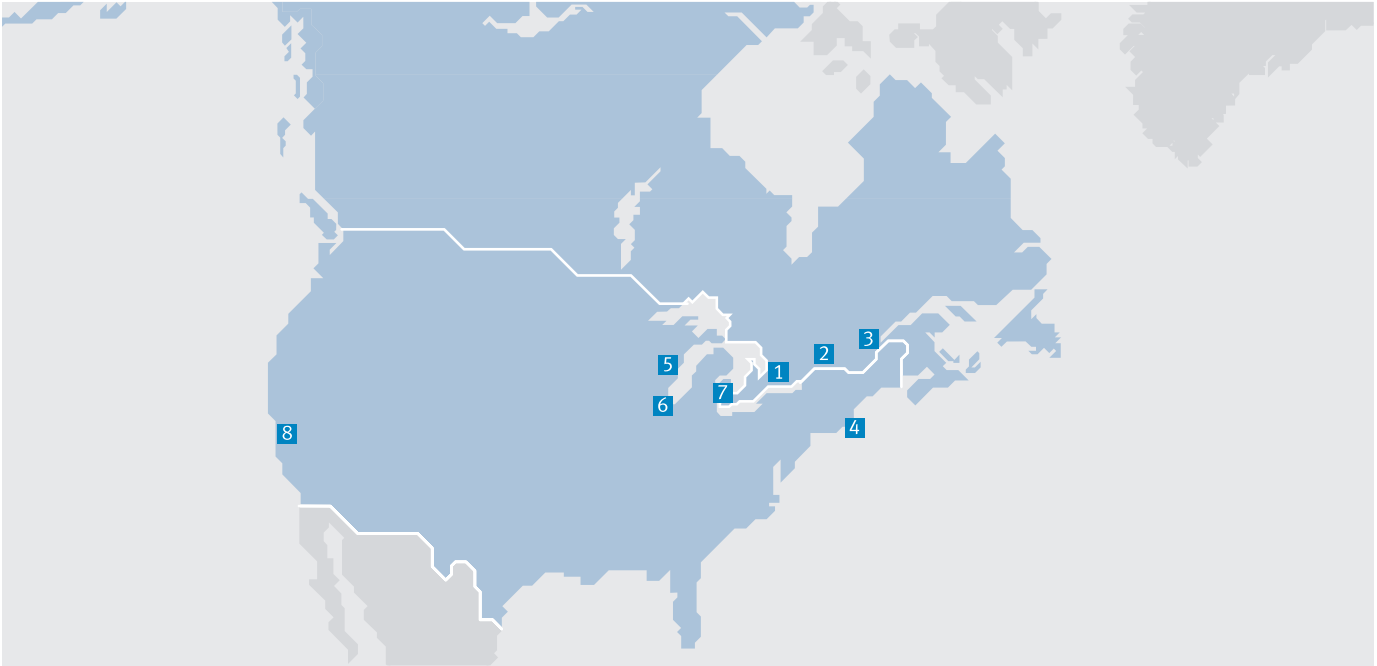


© Copyright 2013, Festo Corporation. While every effort is made to ensure that all dimensions and specifications are correct, Festo cannot guarantee that publications are completely free of any error, in particular typing or printing errors. Accordingly, Festo cannot be held responsible for the same. For Liability and Warranty conditions, refer to our "Terms and Conditions of Sale", available from your local Festo office. All rights reserved. No part of this publication may be reproduced, distributed, or transmitted in any form or by any means, electronic, mechanical, photocopying or otherwise, without the prior written permission of Festo. All technical data subject to change according to technical update.



Printed on recycled paper at New Horizon Graphic, Inc., FSC certified as an environmental friendly printing plant.

Festo North America



**1 Festo Canada
Headquarters
Festo Inc.**
5300 Explorer Drive
Mississauga, ON
L4W 5G4

2 Montréal
5600, Trans-Canada
Pointe-Claire, QC
H9R 1B6

3 Québec City
2930, rue Watt#117
Québec, QC
G1X 4G3



**4 Festo United States
Headquarters
Festo Corporation**
395 Moreland Road
Hauppauge, NY
11788

5 Appleton
North 922 Tower View Drive, Suite N
Greenville, WI
54942

7 Detroit
1441 West Long Lake Road
Troy, MI
48098

6 Chicago
85 W Algonquin - Suite 340
Arlington Heights, IL
60005

8 Silicon Valley
4935 Southfront Road, Suite F
Livermore, CA
94550

Festo Regional Contact Center

Canadian Customers

Commercial Support:
Tel: 1 877 GO FESTO (1 877 463 3786)
Fax: 1 877 FX FESTO (1 877 393 3786)
Email: festo.canada@ca.festo.com

Technical Support:

Tel: 1 866 GO FESTO (1 866 463 3786)
Fax: 1 877 FX FESTO (1 877 393 3786)
Email: technical.support@ca.festo.com

USA Customers

Commercial Support:
Tel: 1 800 99 FESTO (1 800 993 3786)
Fax: 1 800 96 FESTO (1 800 963 3786)
Email: customer.service@us.festo.com

Technical Support:

Tel: 1 866 GO FESTO (1 866 463 3786)
Fax: 1 800 96 FESTO (1 800 963 3786)
Email: product.support@us.festo.com